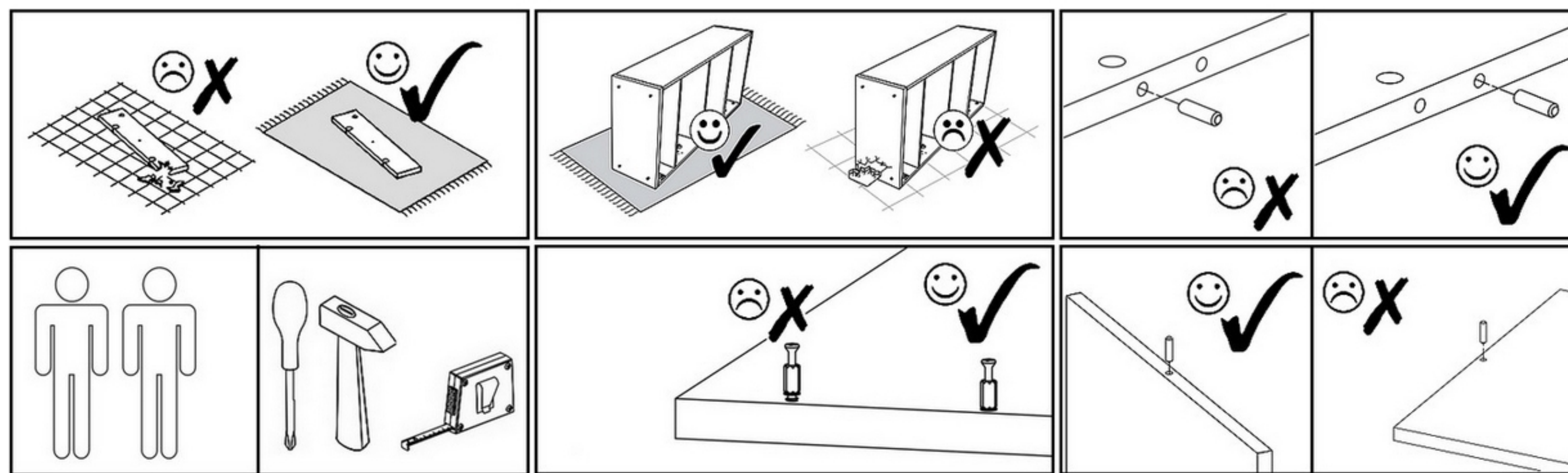
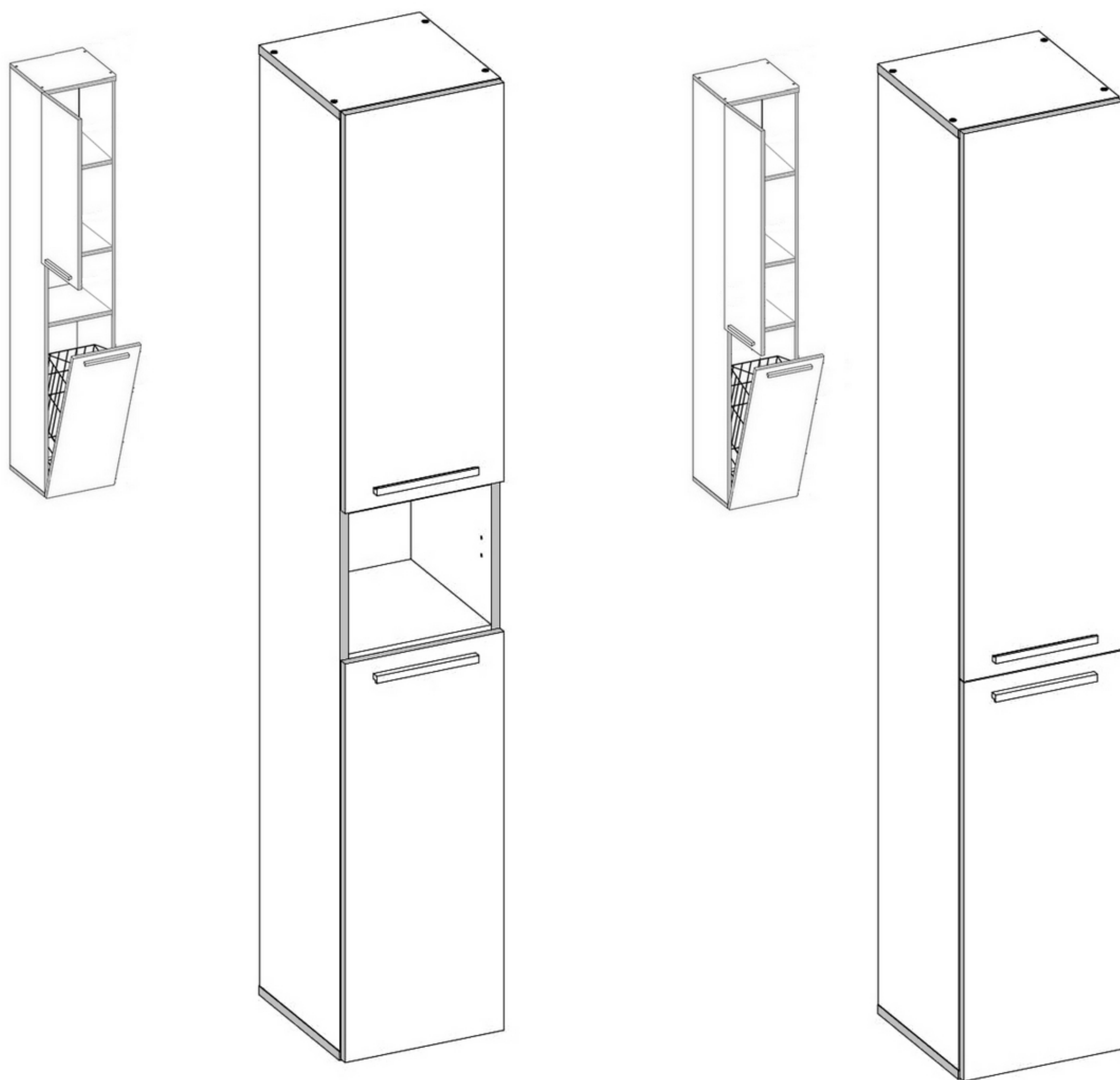
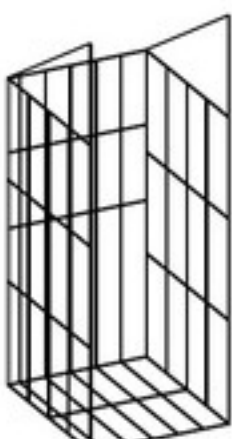



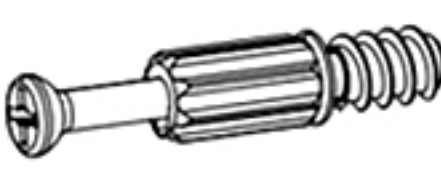
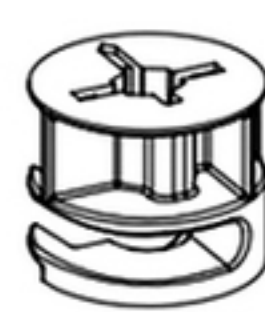
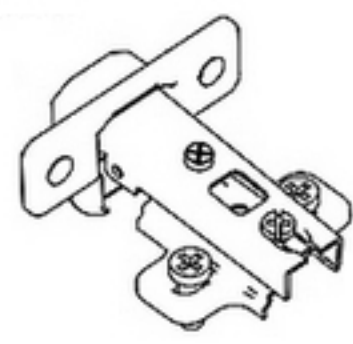





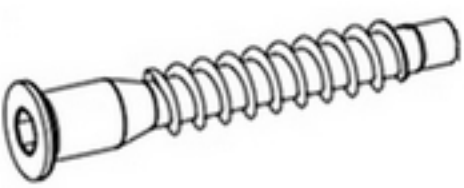

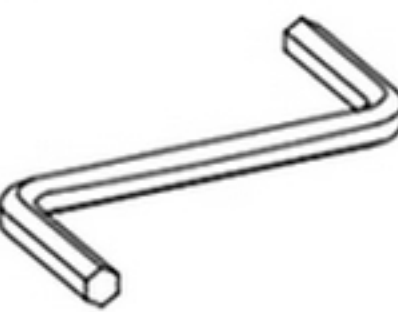



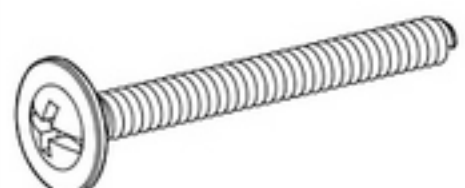
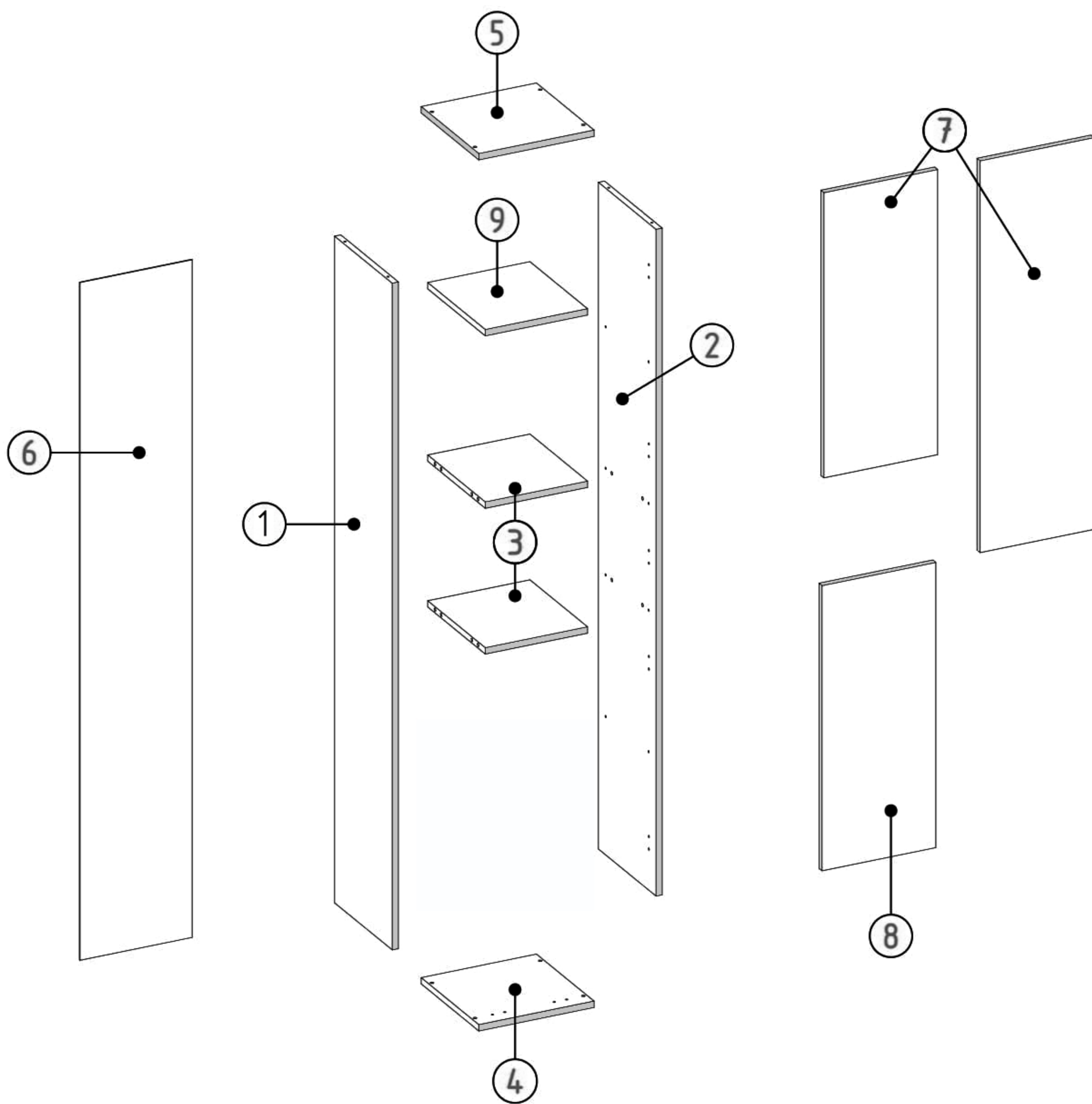


NEL 3



NEL 4

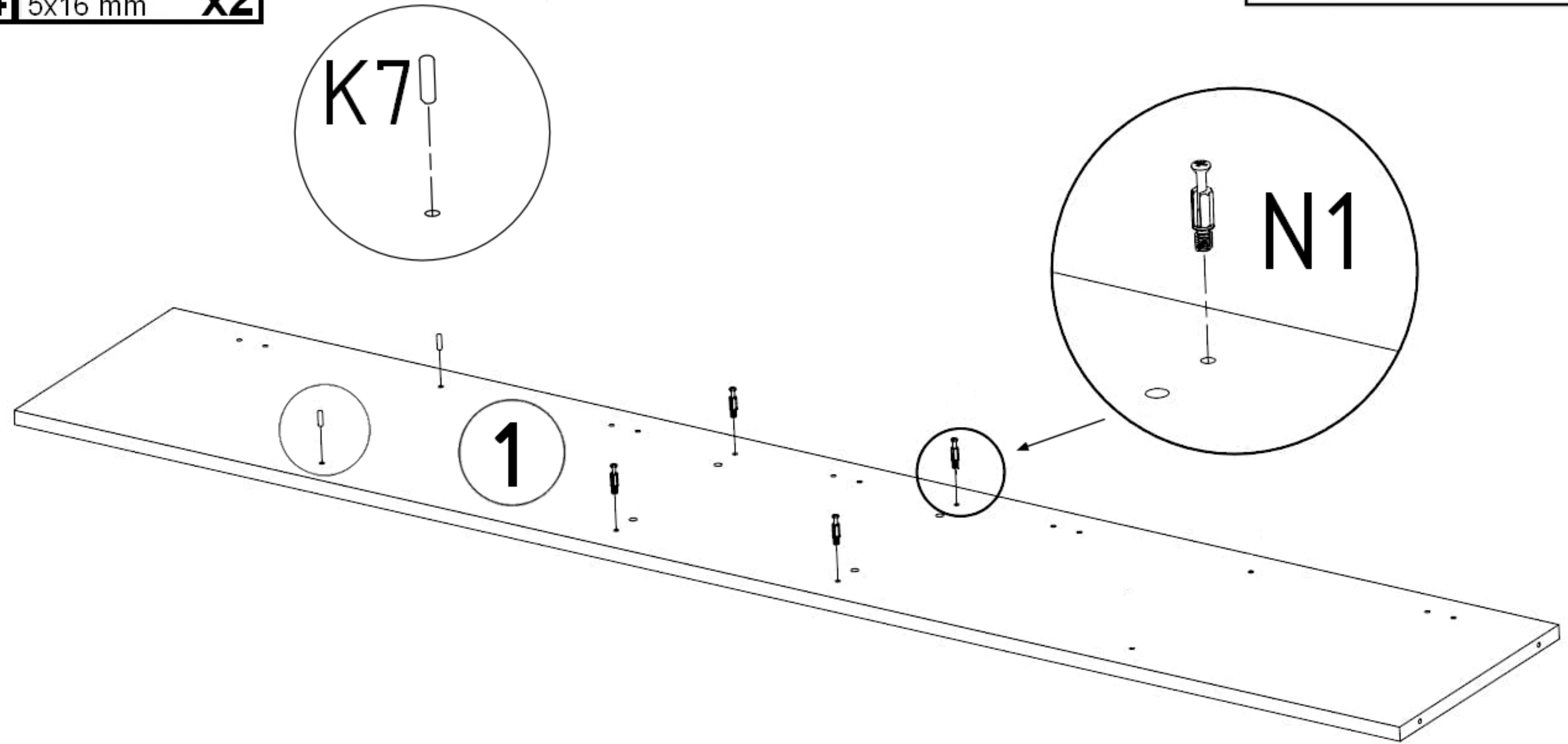
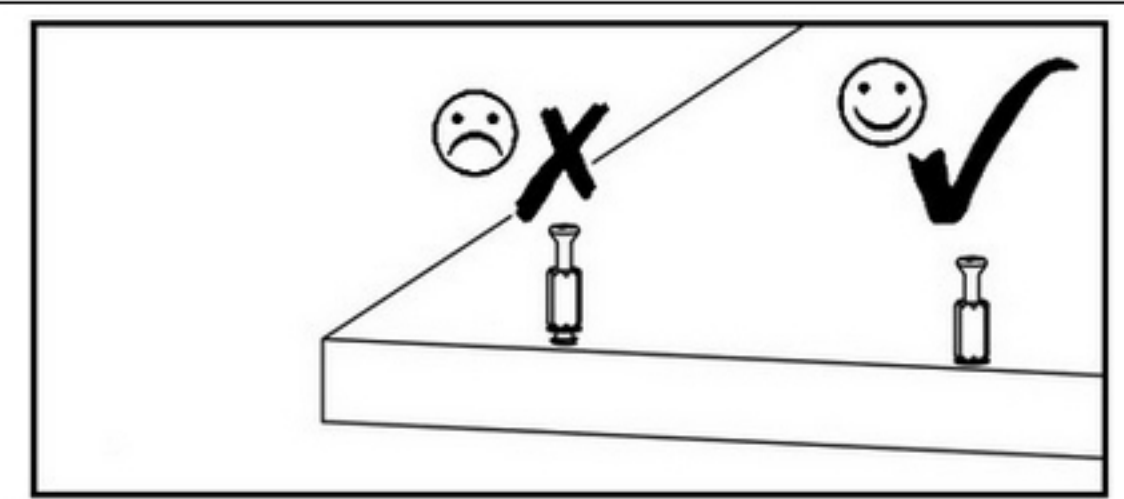




V8  x1	V2  x1	V9  x4	V10  x4				
N1  L=35 mm x8	M1  12x15 mm x8	A1  ZP x4	S1  3,5x16 mm x10	E1  8x30 mm x8	K2  x1	K7  5x16 mm x4	
Z1  x80	F1  7x50 mm x8	S3  6x13 mm x2	K3  x1	F2  ø12 mm x4	U1  L=190/160mm x2	T1  x4	S5  4x27 mm x4

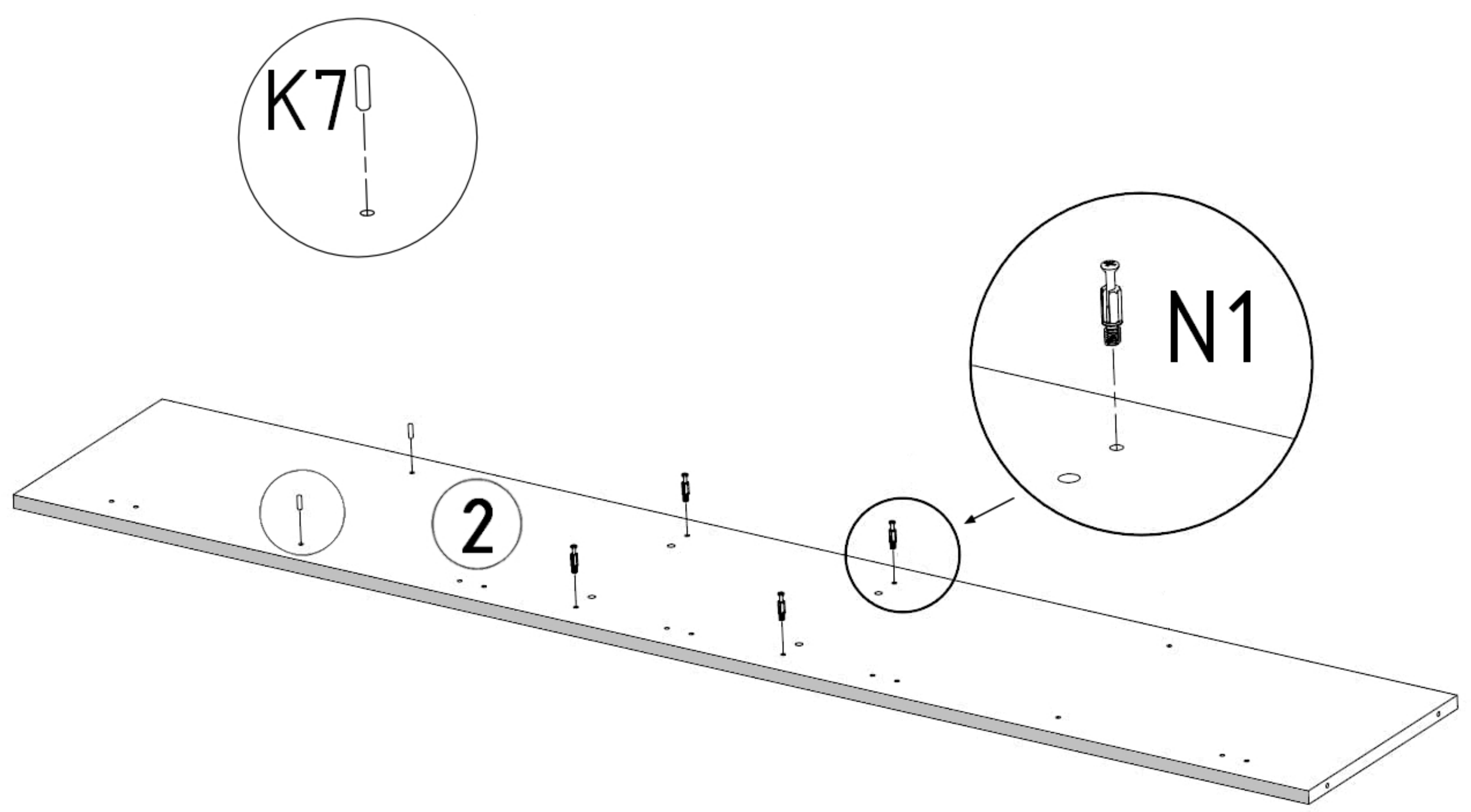
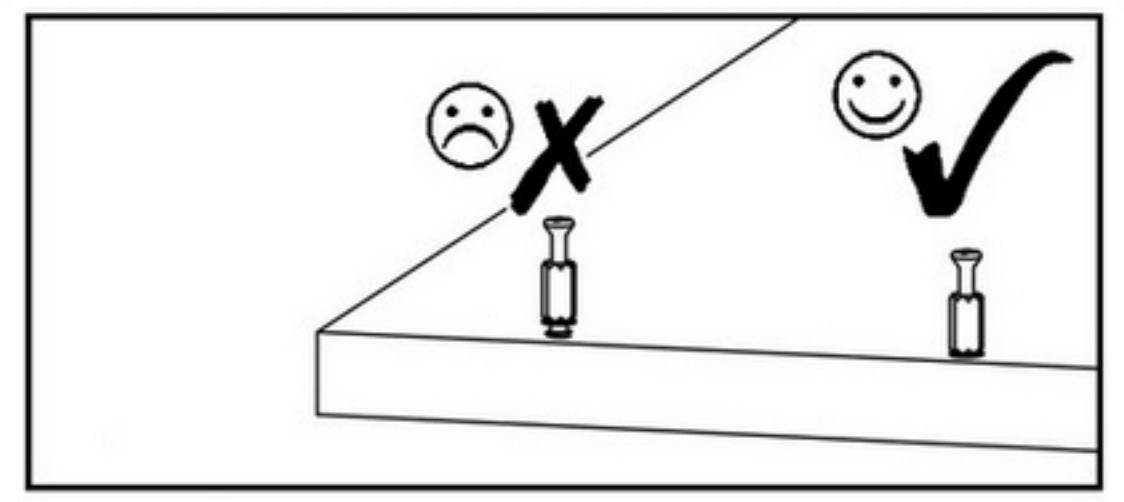


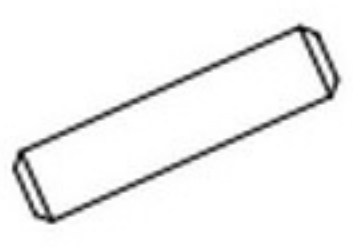
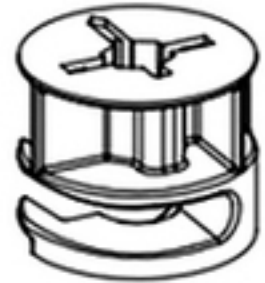
1	x	1
2	x	1
3	x	2
4	x	1
5	x	1
6	x	1
7	x	1
8	x	1
9	x	1

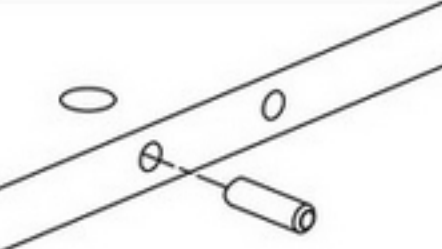
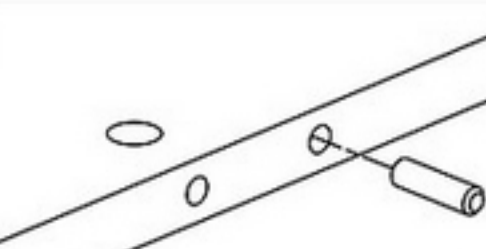

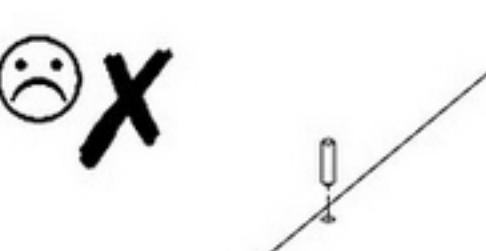
N1  L=35 mm x4	K7  5x16 mm x2
--------------------------------------------------------------------------------------------------------------------	---------------------------------------------------------------------------------------------------------------------

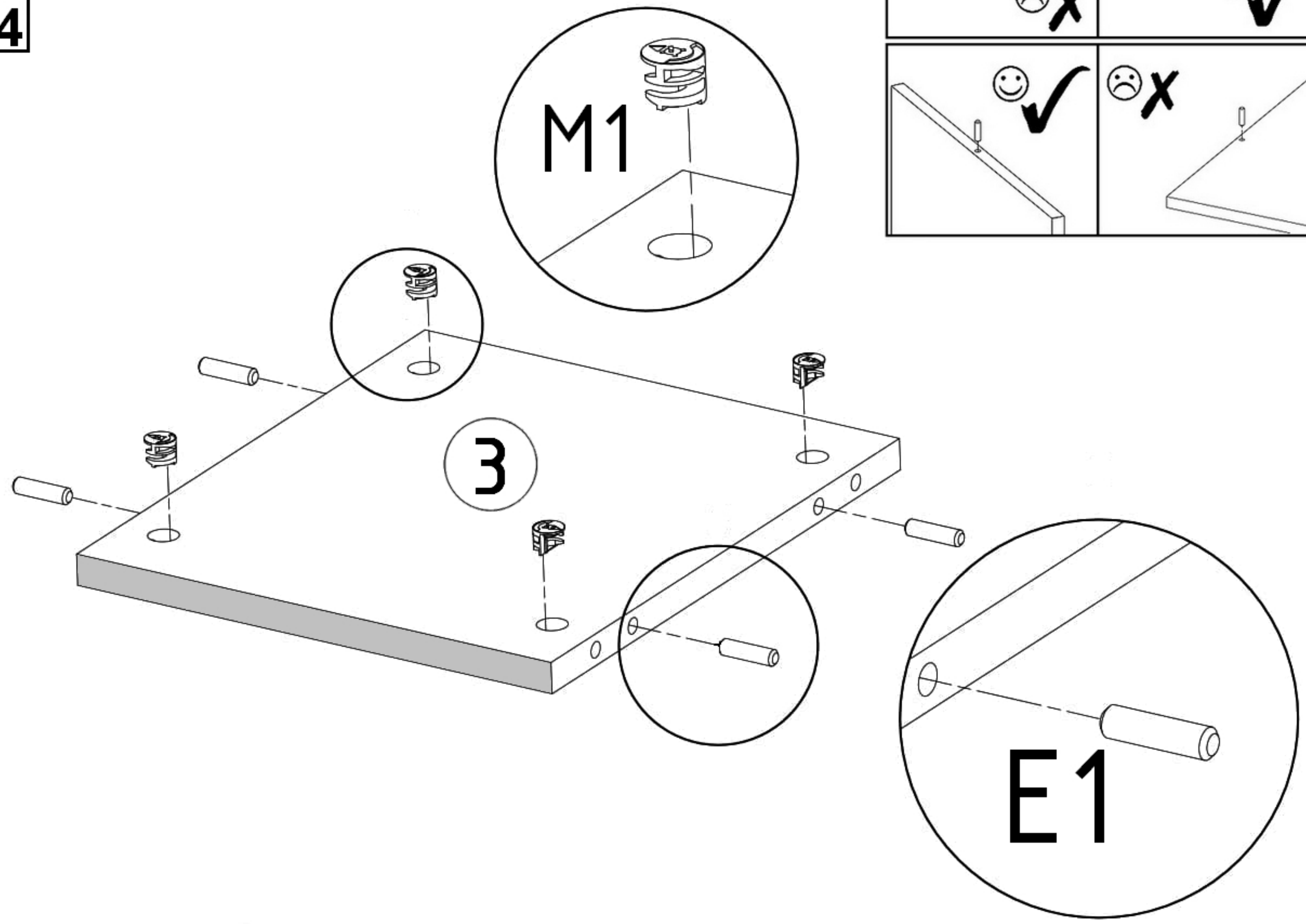




N1  L=35 mm x4	K7  5x16 mm x2
----------------------------------------------------------------------------------------------------------------------	-----------------------------------------------------------------------------------------------------------------------



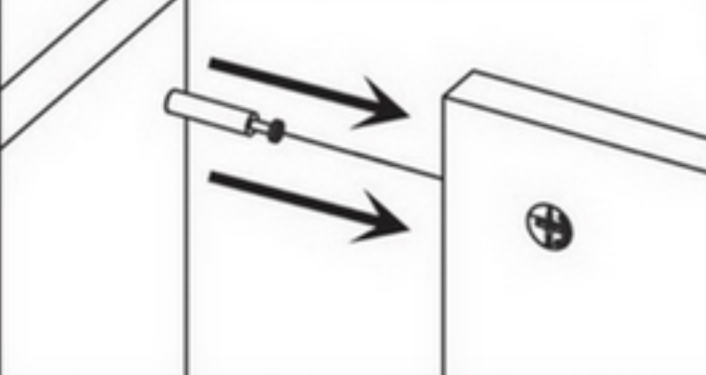
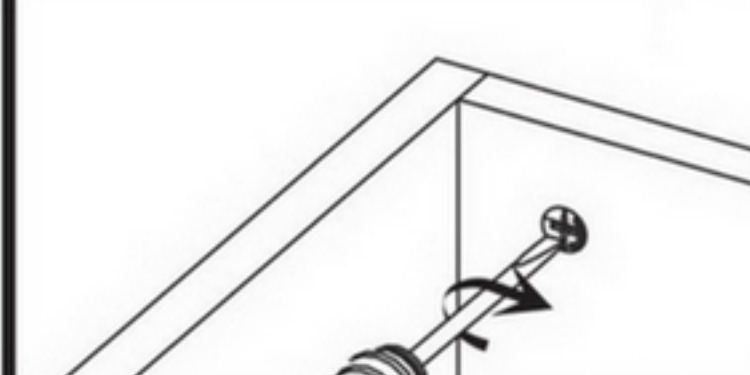
<p>E1</p>  <p>8x30 mm x4</p>	<p>M1</p>  <p>12x15 mm x4</p>
----------------------------------------------------------------------------------------------------------------------------	------------------------------------------------------------------------------------------------------------------------------

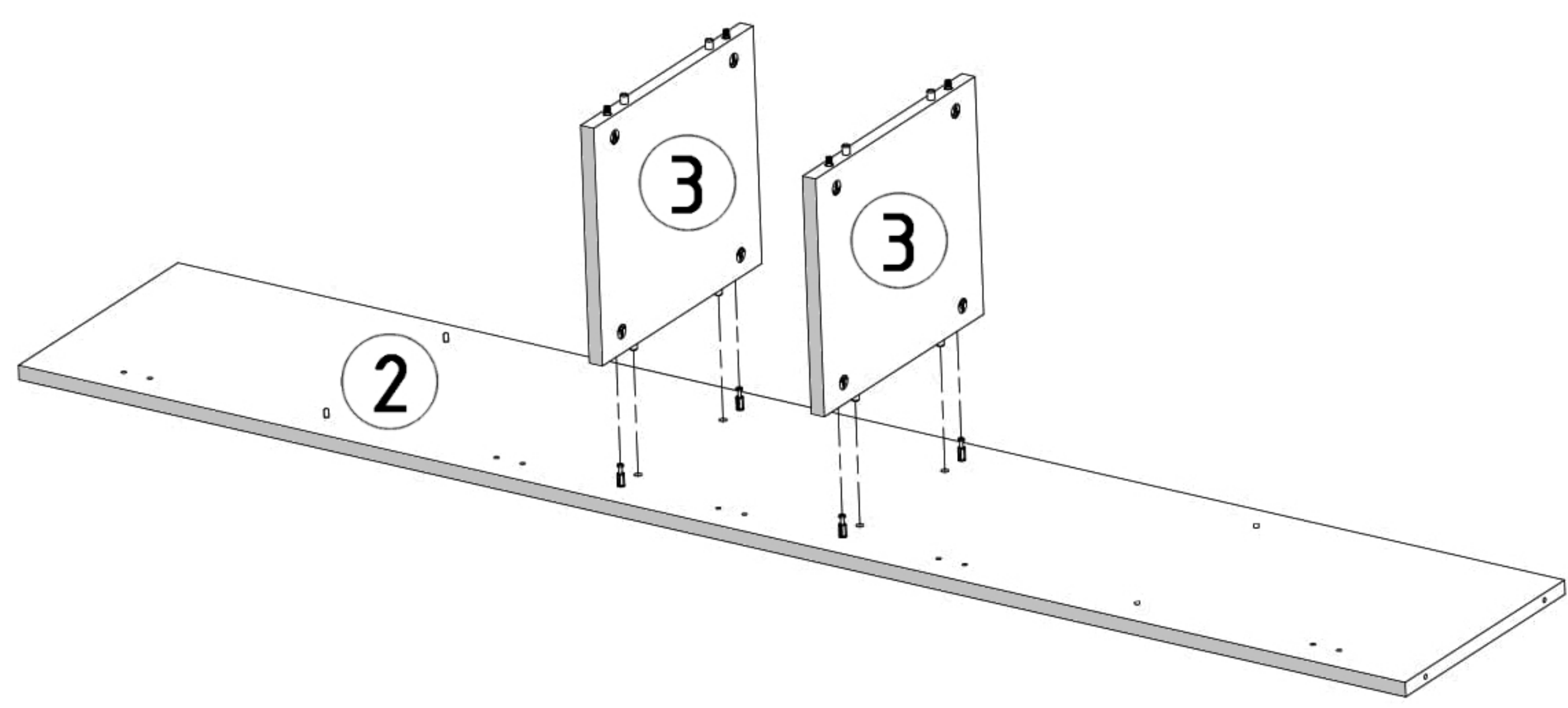
 <p>☹️ X</p>	 <p>😊 ✓</p>
 <p>😊 ✓</p>	 <p>☹️ X</p>

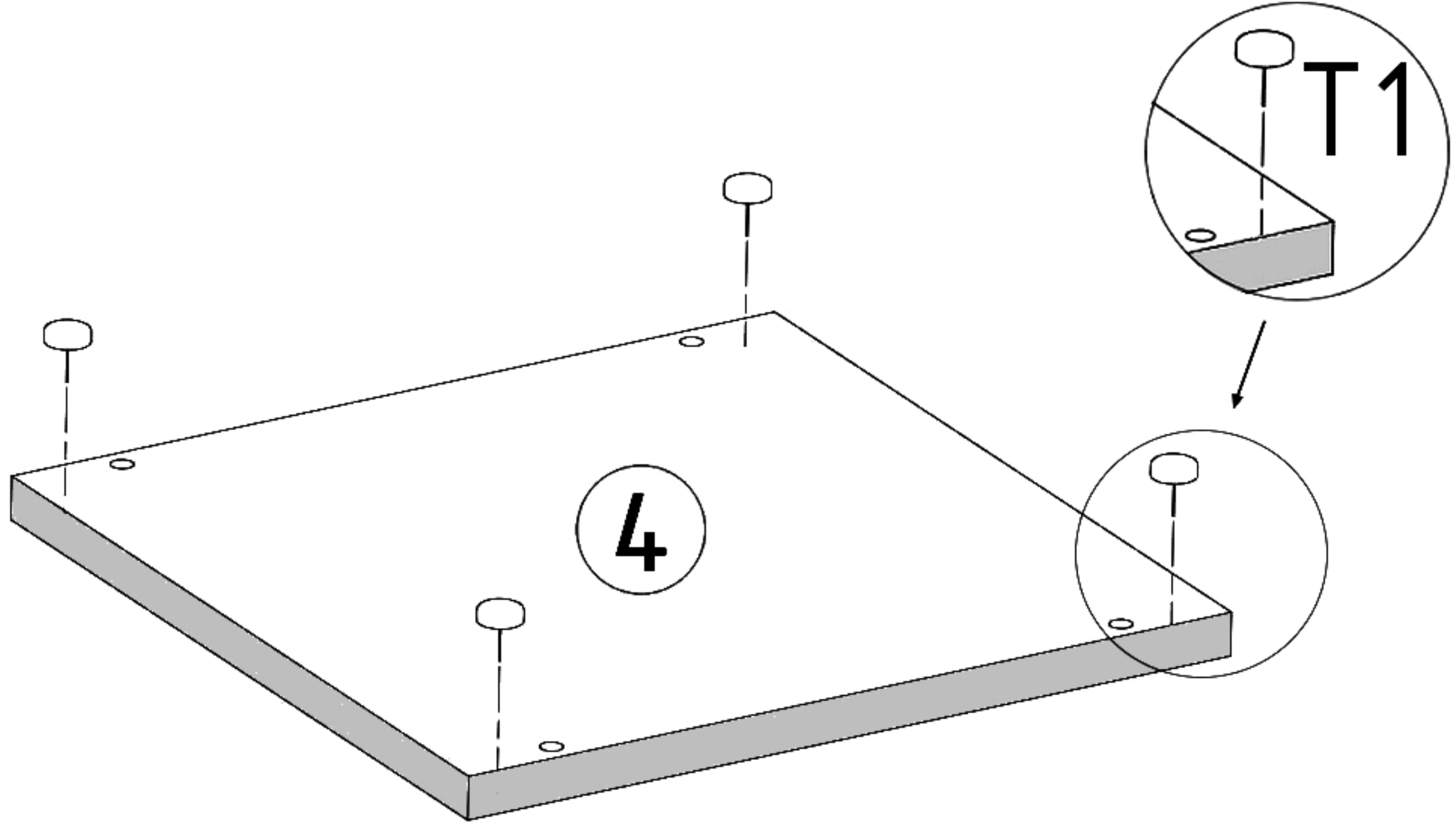
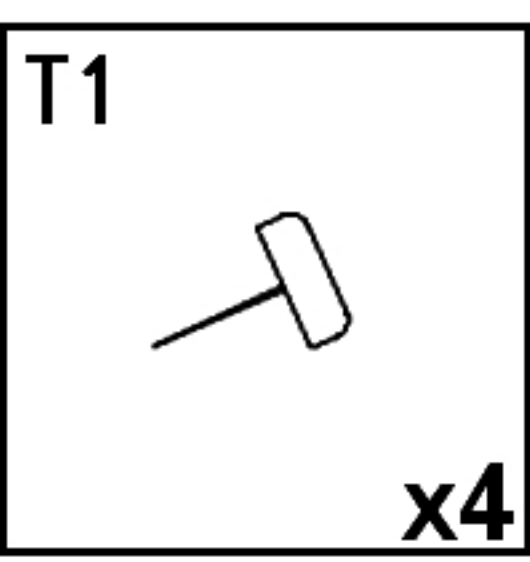
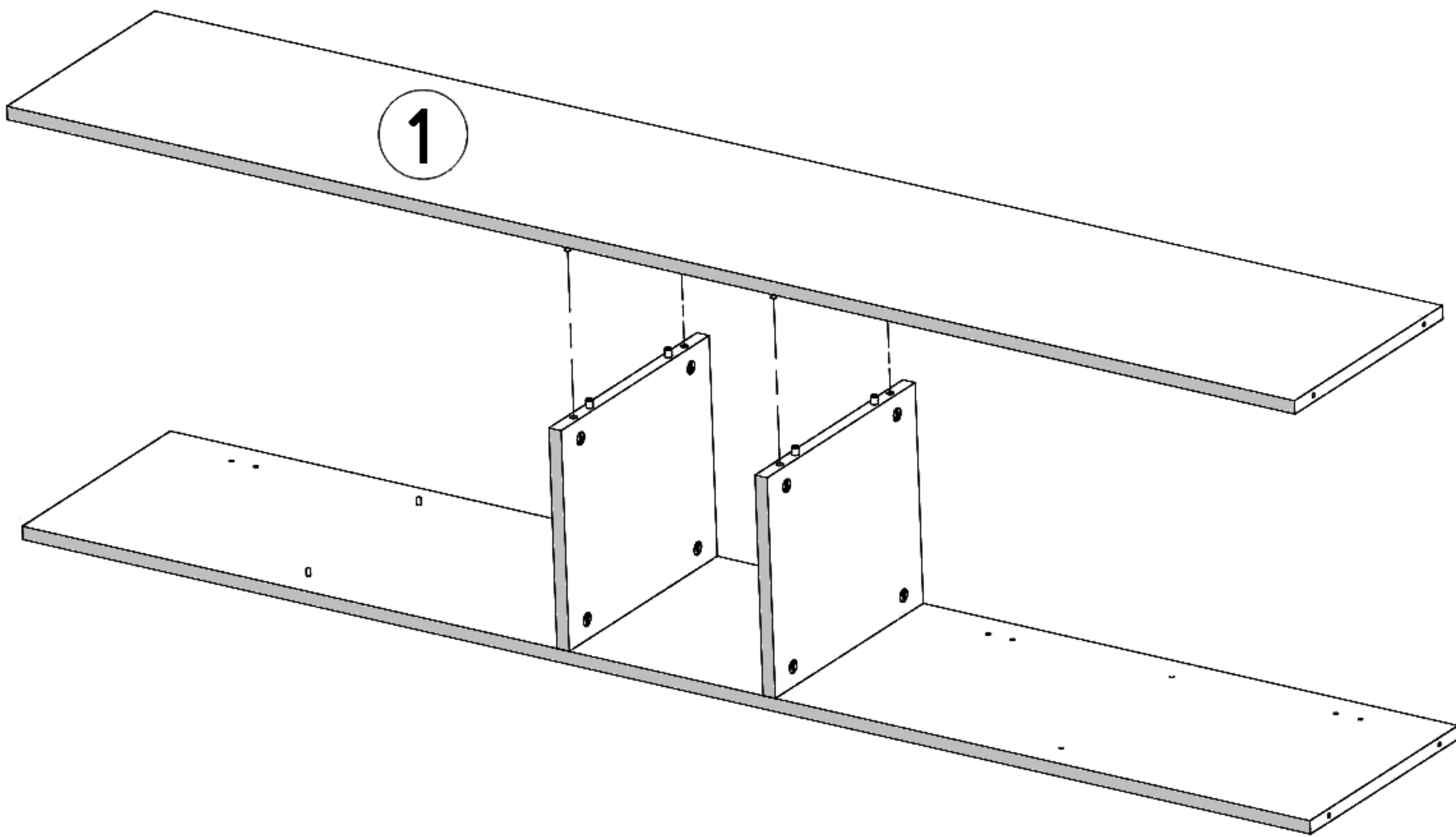
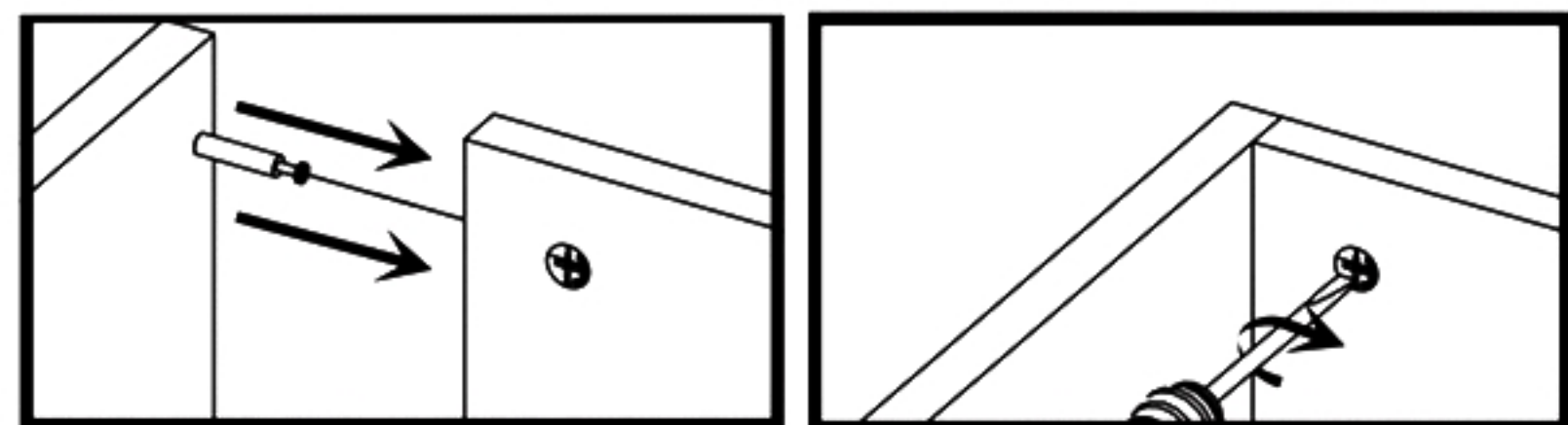


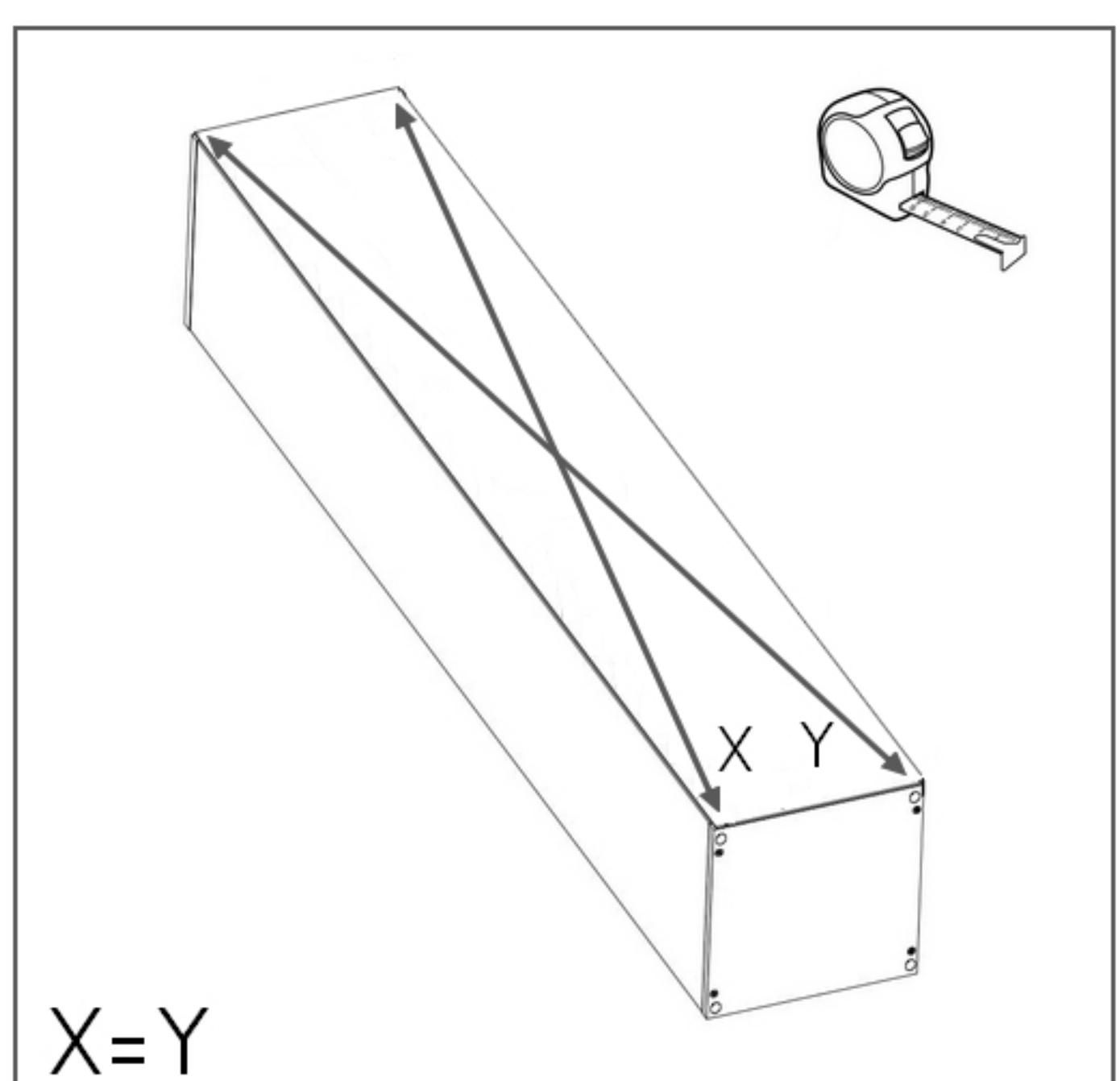
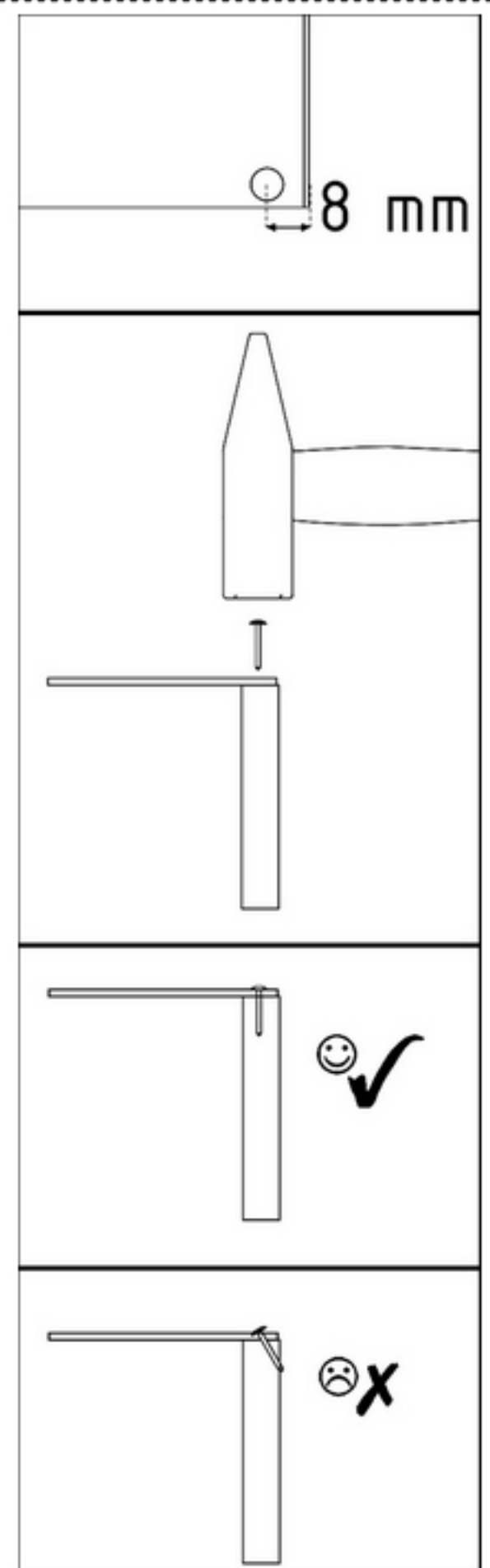
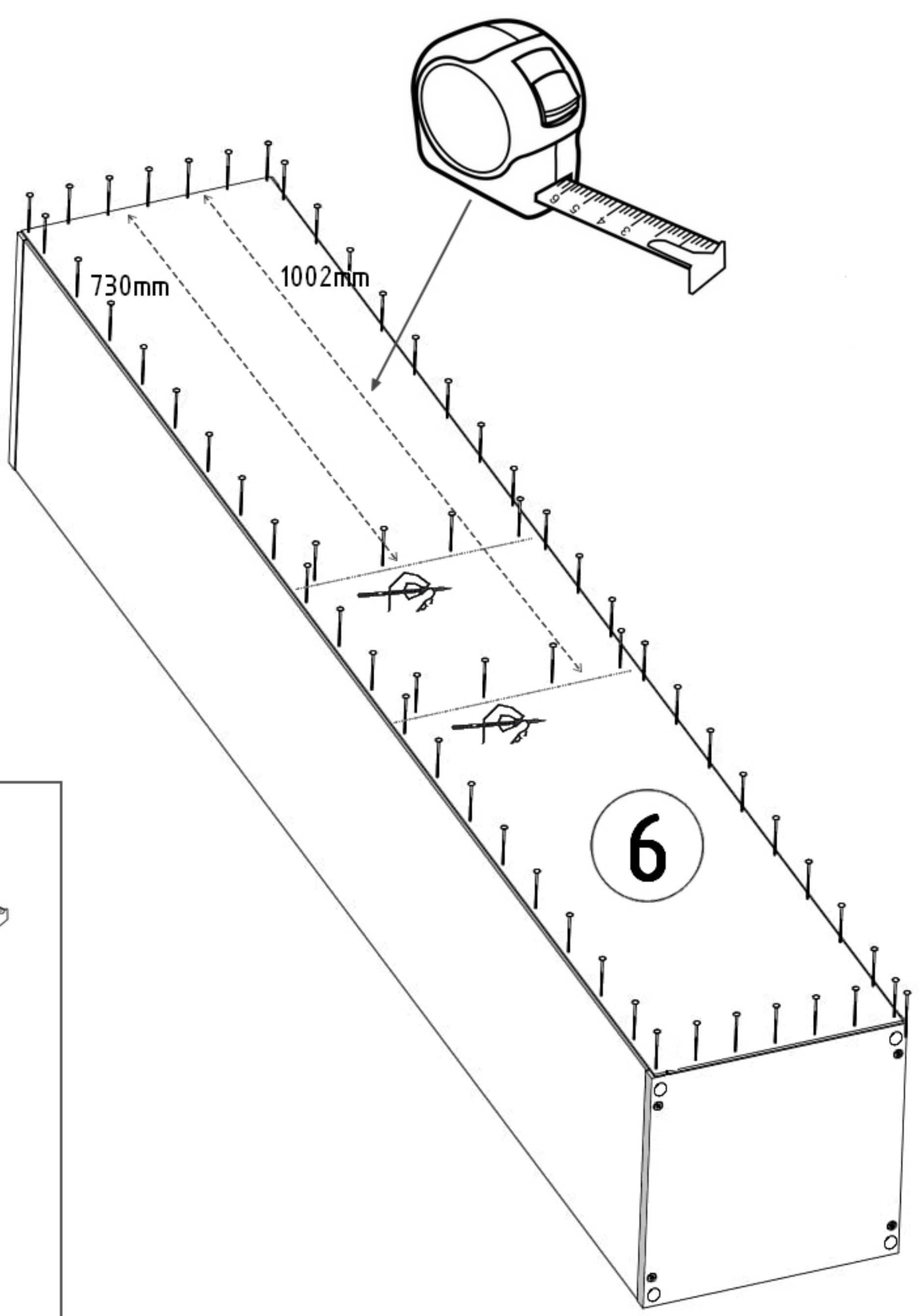
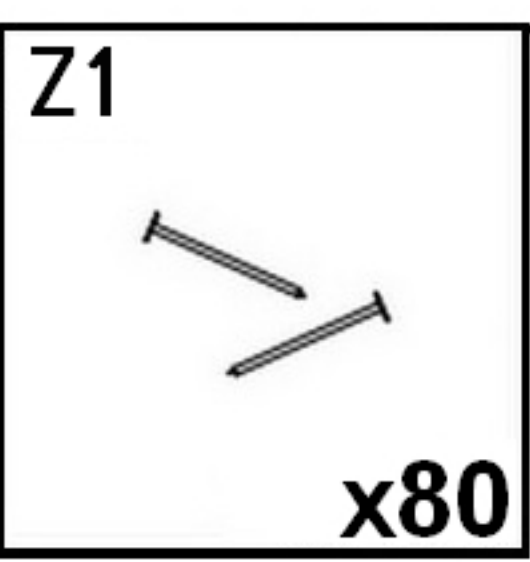
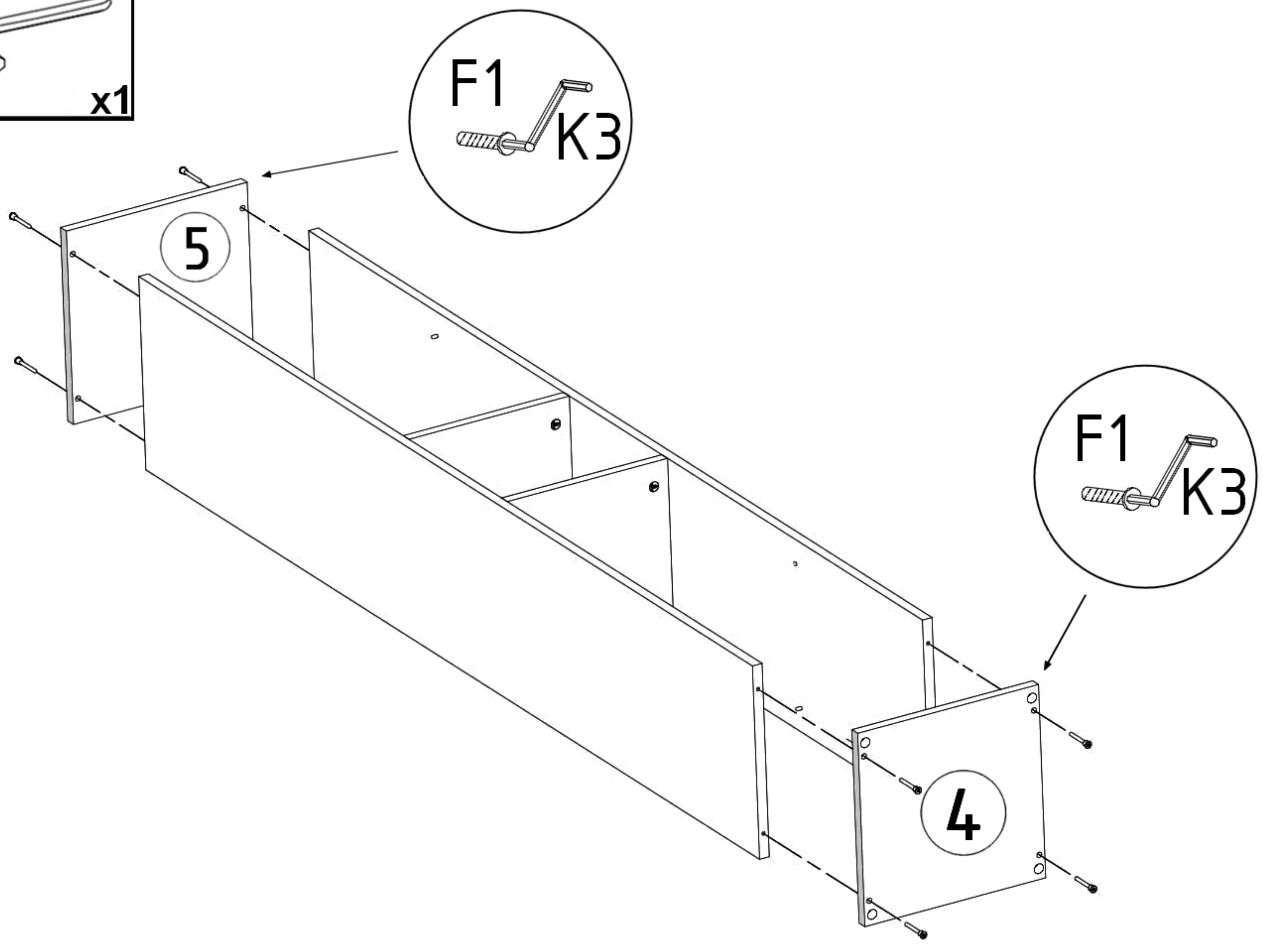
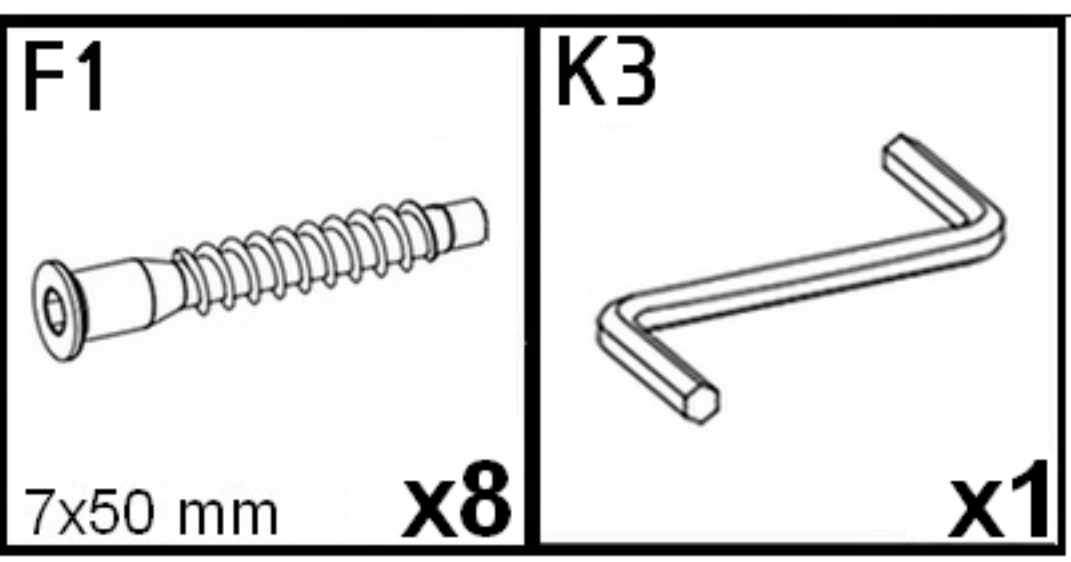
<p>!  ☹️ X</p>	<p>!  😊 ✓</p>
----------------------------------------------------------------------------------------------------------	---------------------------------------------------------------------------------------------------------

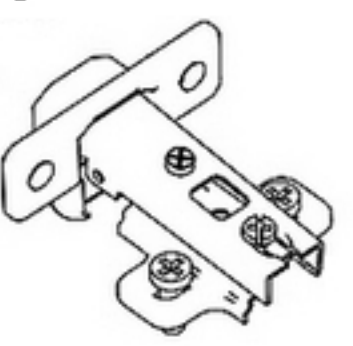
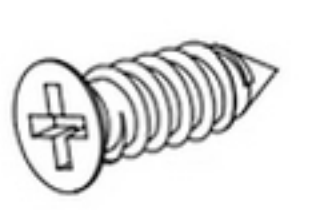
x2

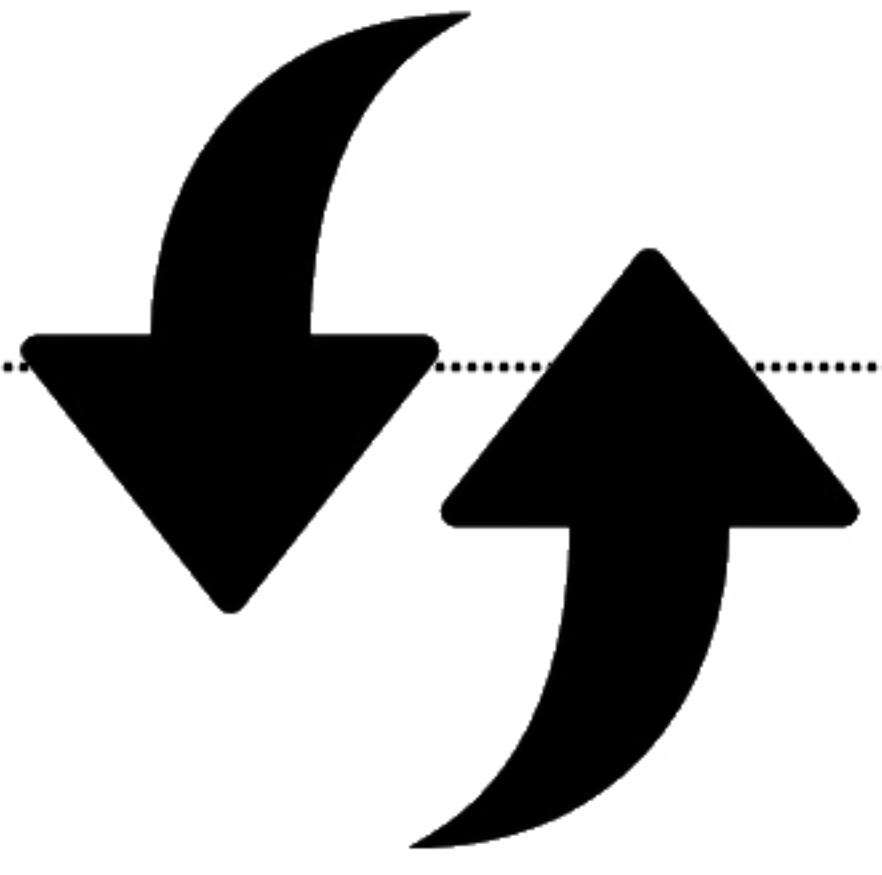
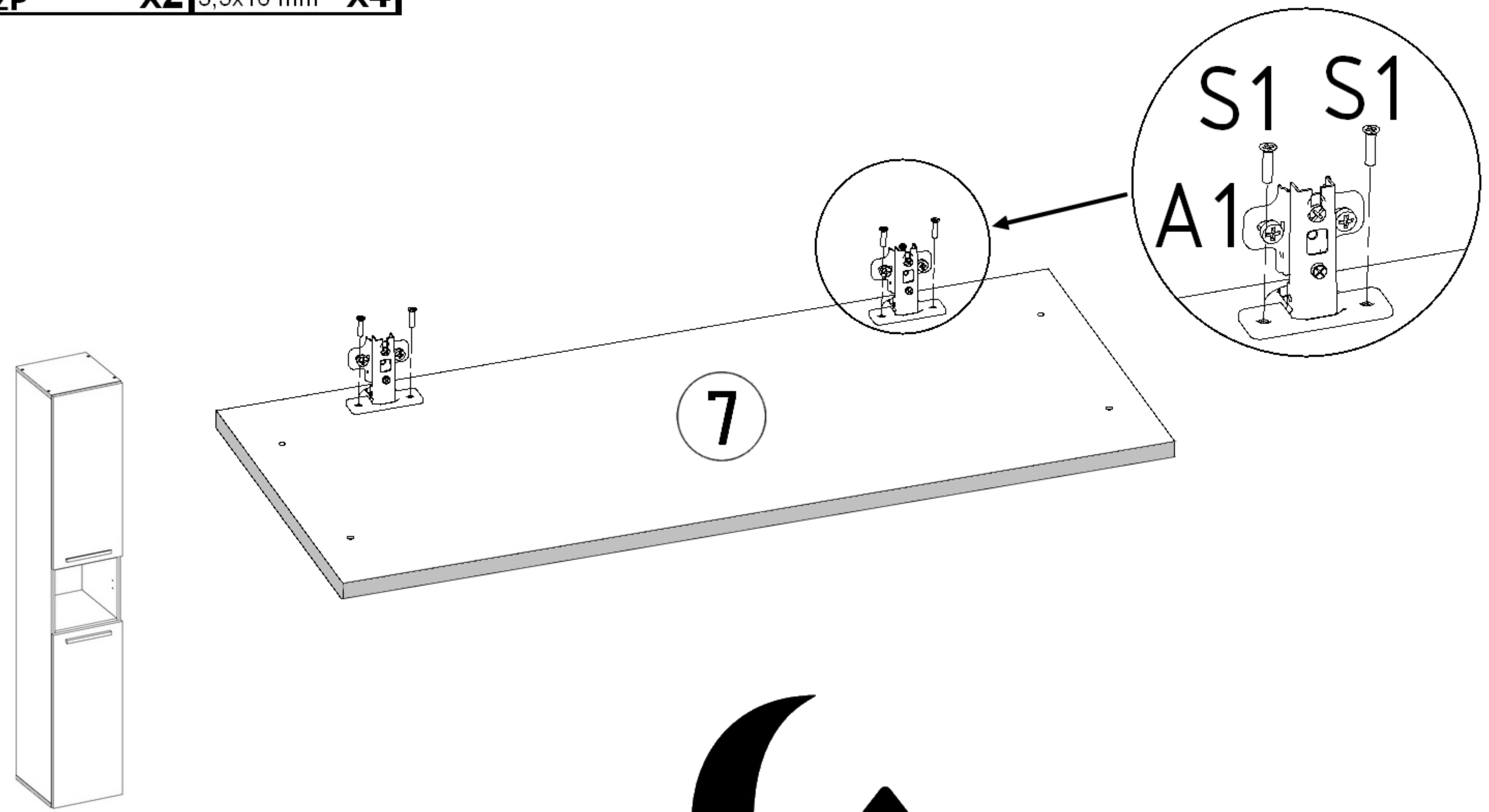
	
---------------------------------------------------------------------------------------	---------------------------------------------------------------------------------------

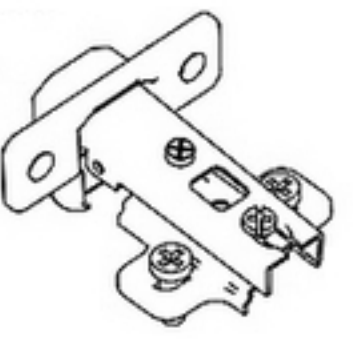
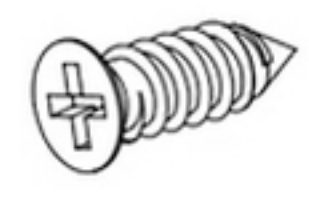


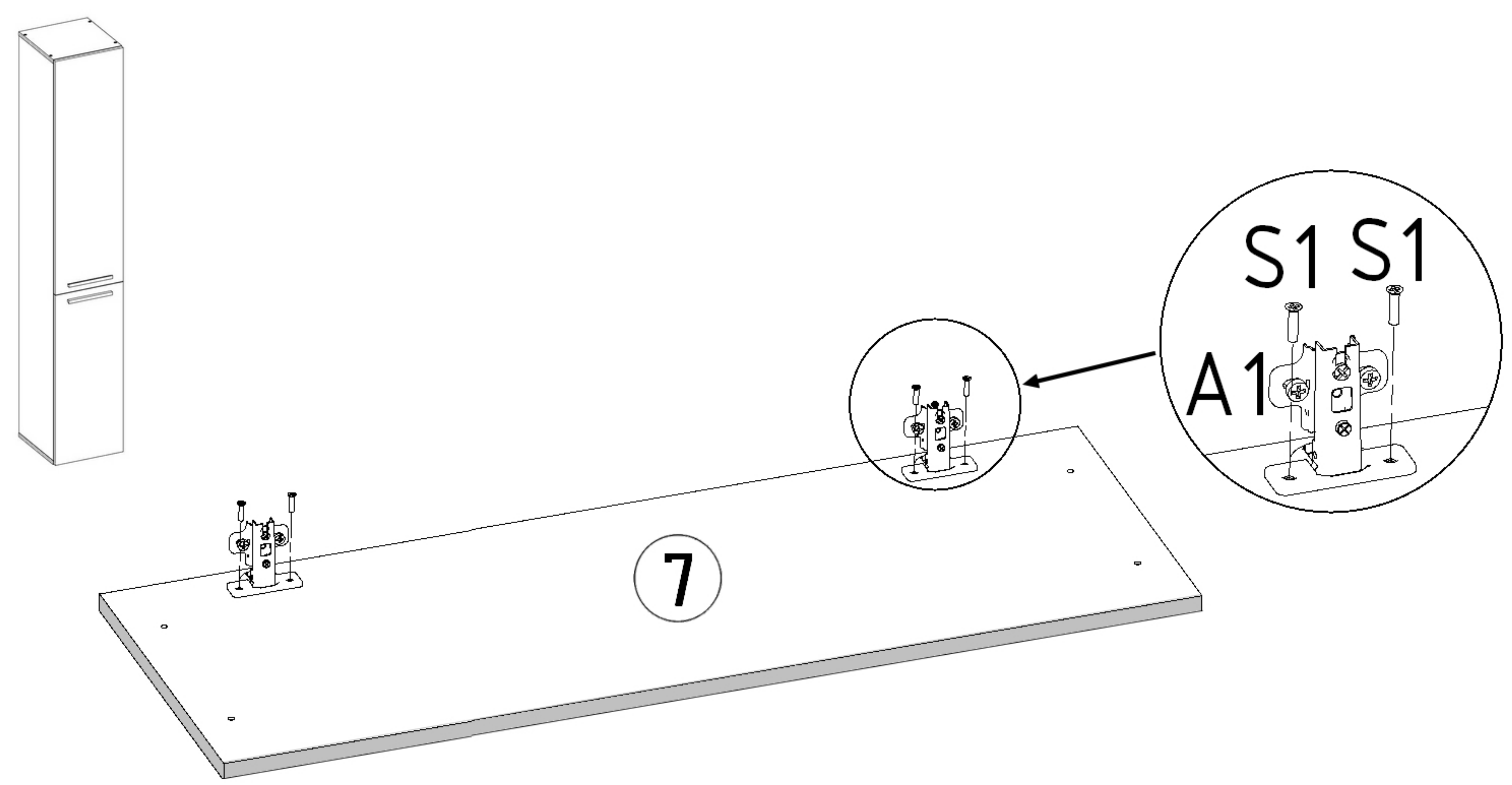


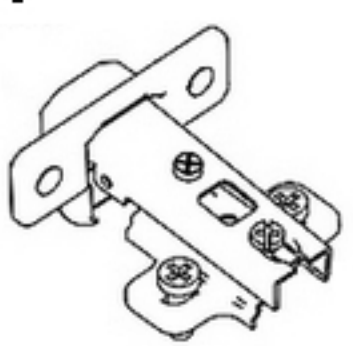

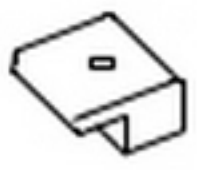

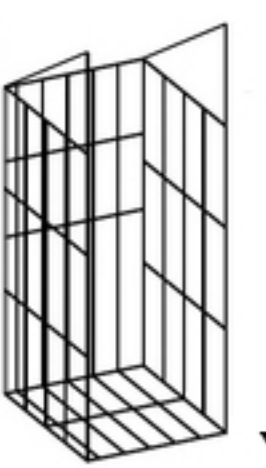
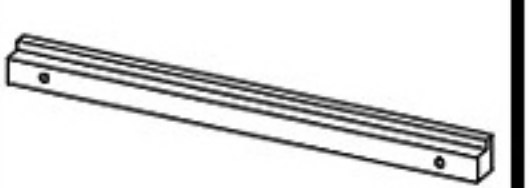
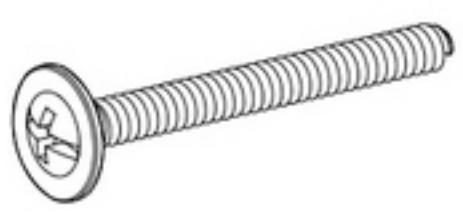


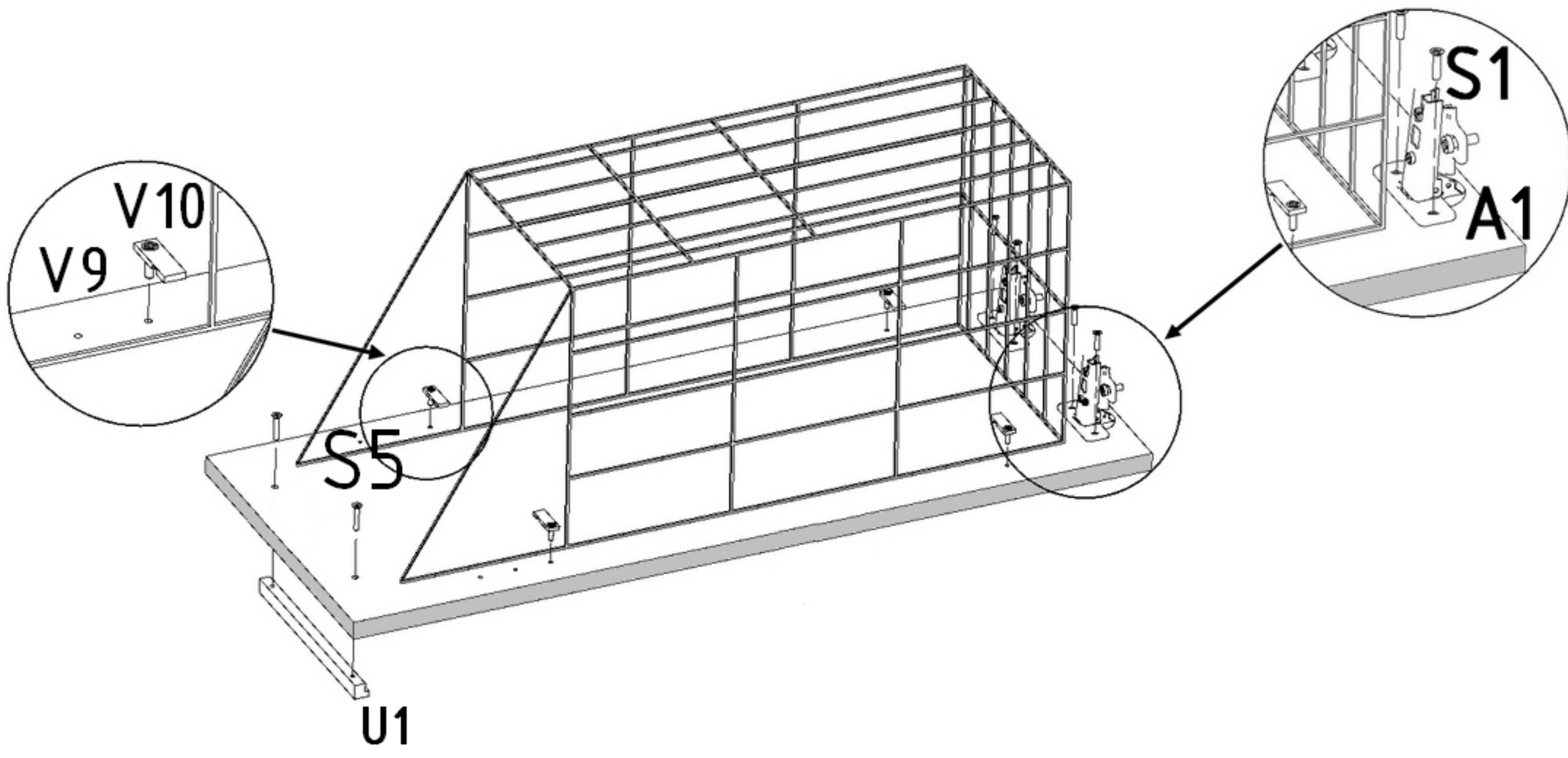
A1 	S1 
ZP x2	3,5x16 mm x4

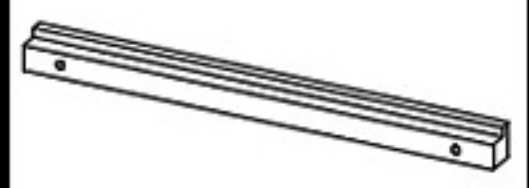
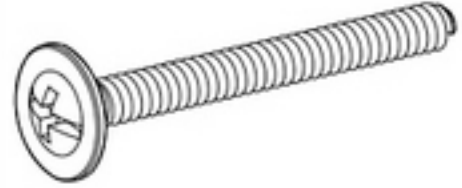

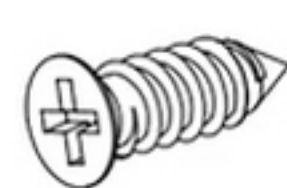




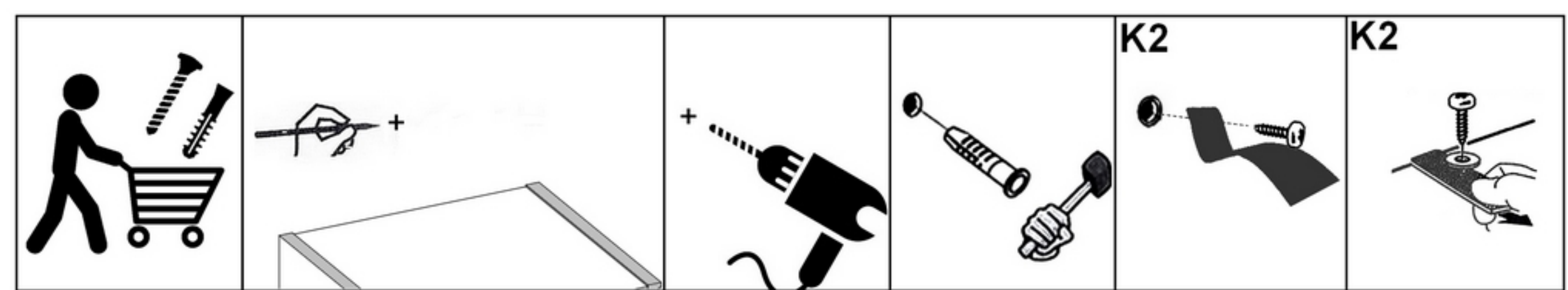
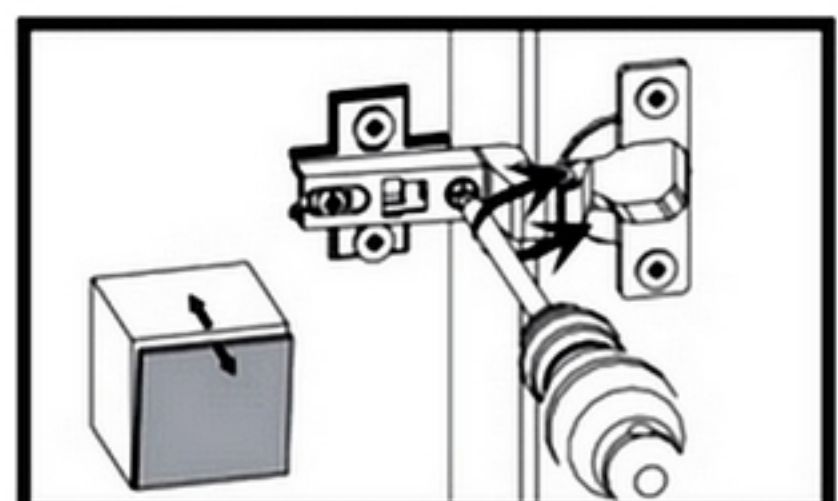
A1 	S1 
ZP x2	3,5x16 mm x4



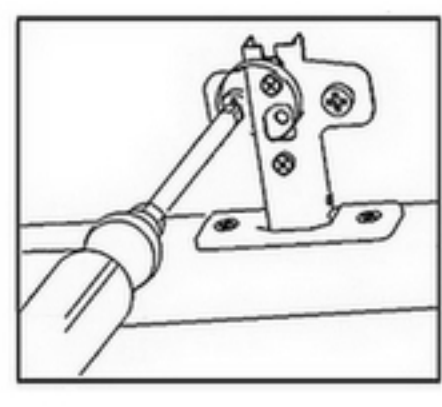
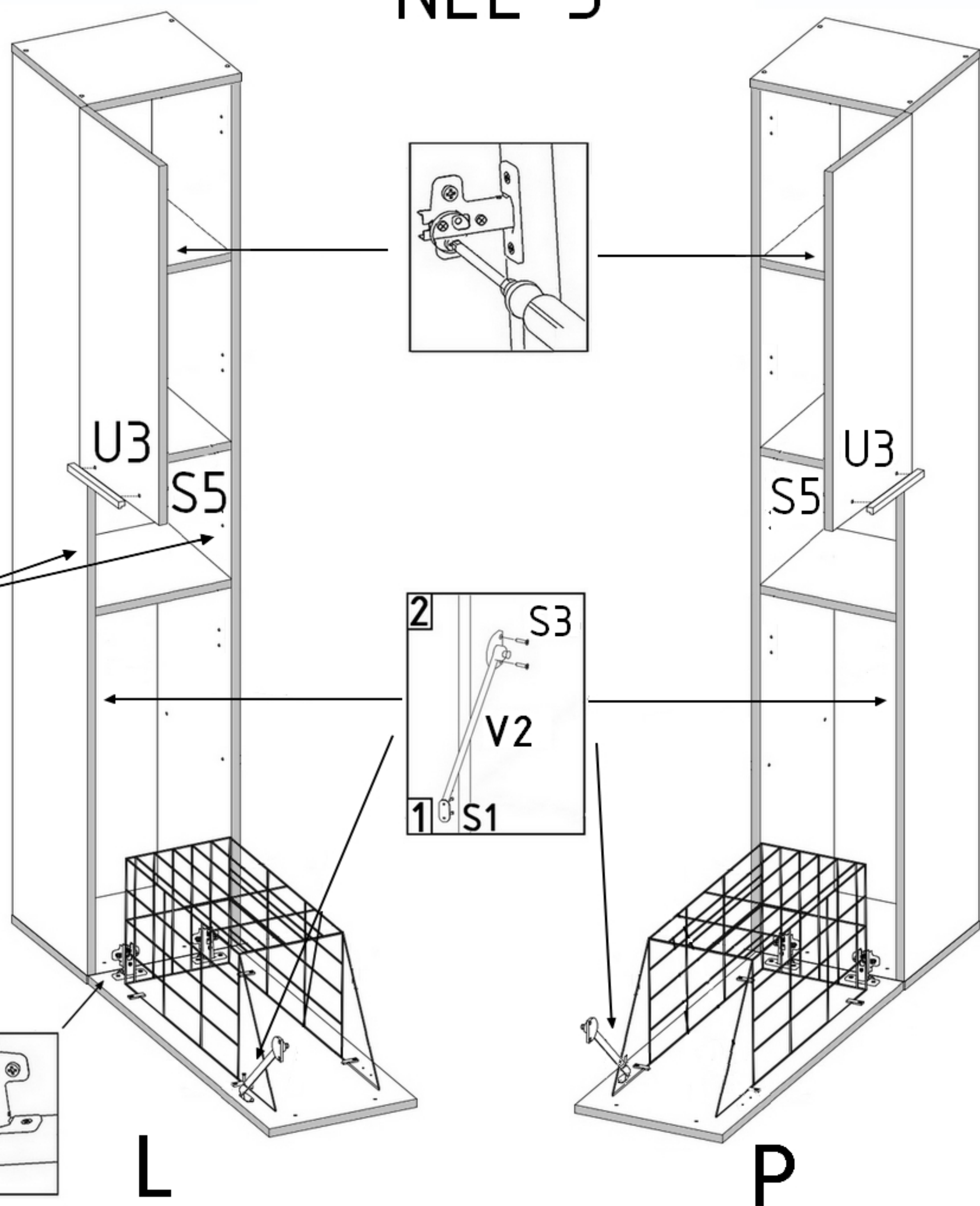
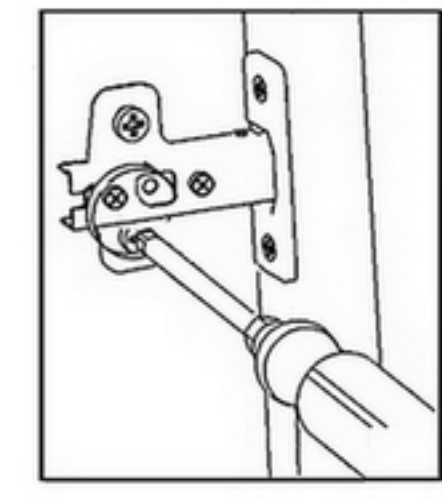
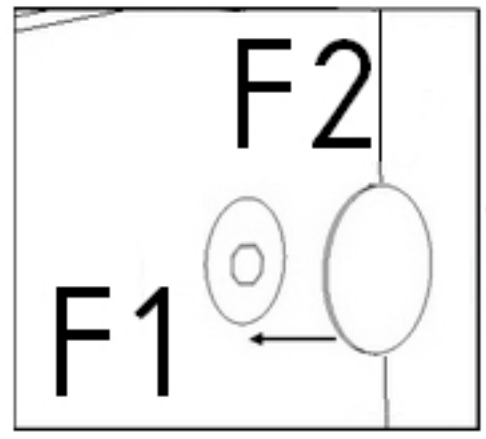
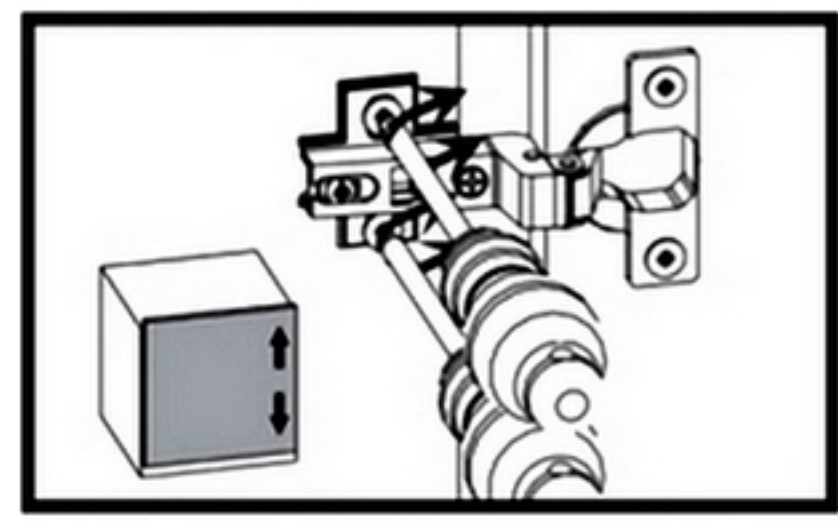
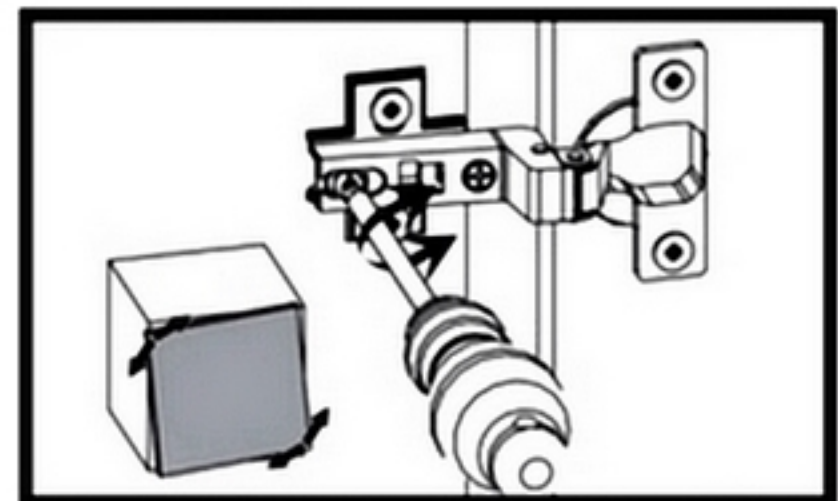
A1 	S1 	V9 	V10 	V8 	U1 	S5 
ZP	x2 3,5x16 mm	x4	x4	x1	x1	4x27 mm x2



U1 	S5 	V2 	S1 	S3 	F2 
x2	4x27 mm x4	x1	3,5x16 mm x2	6x13 mm x2	ø12 mm x4

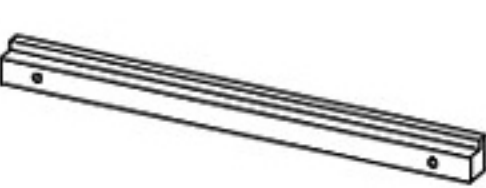
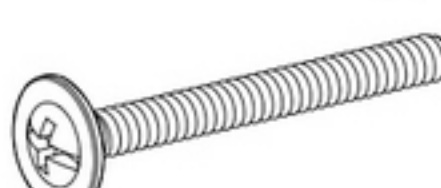

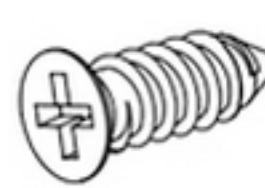



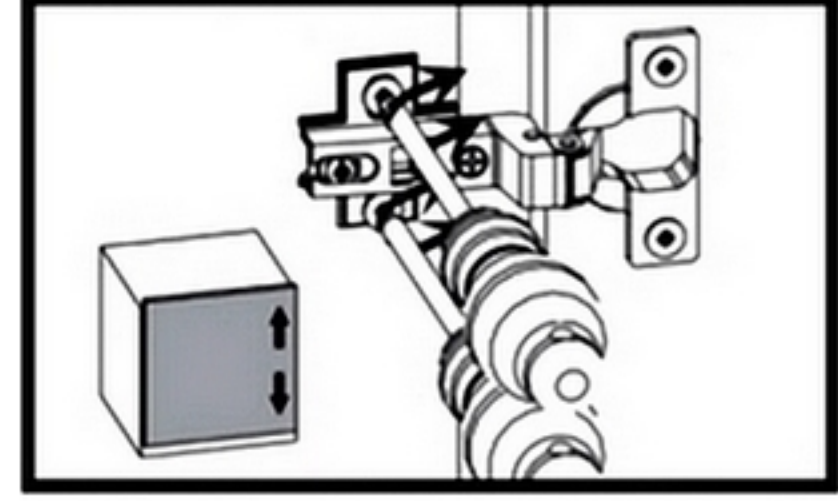
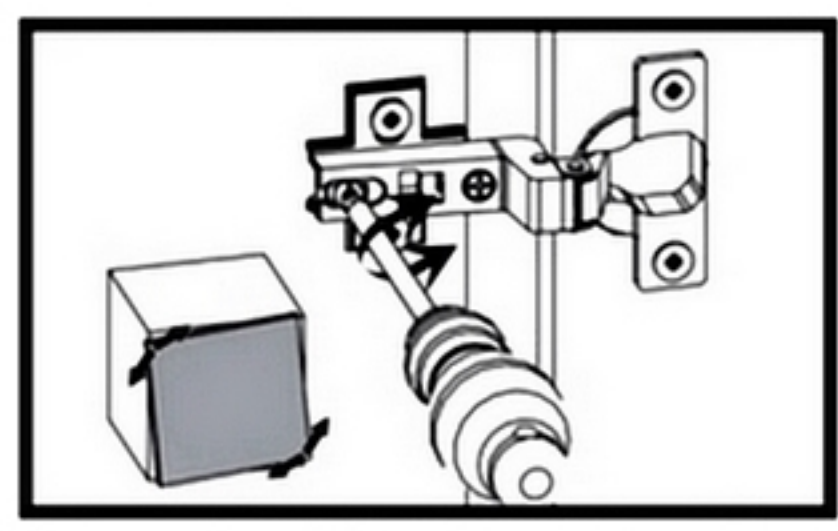
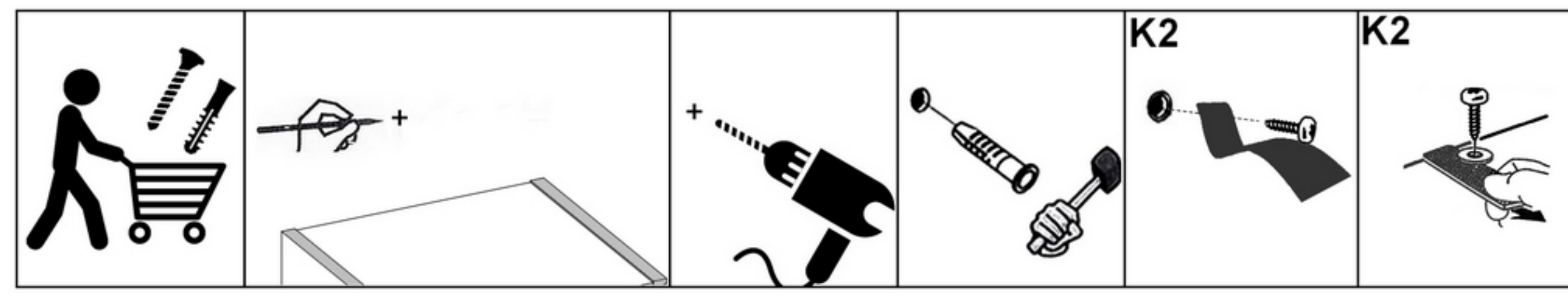
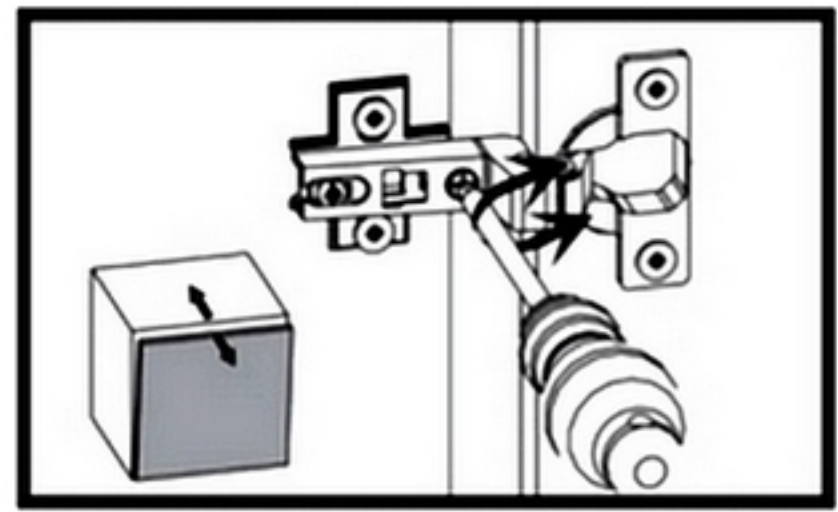
NEL 3



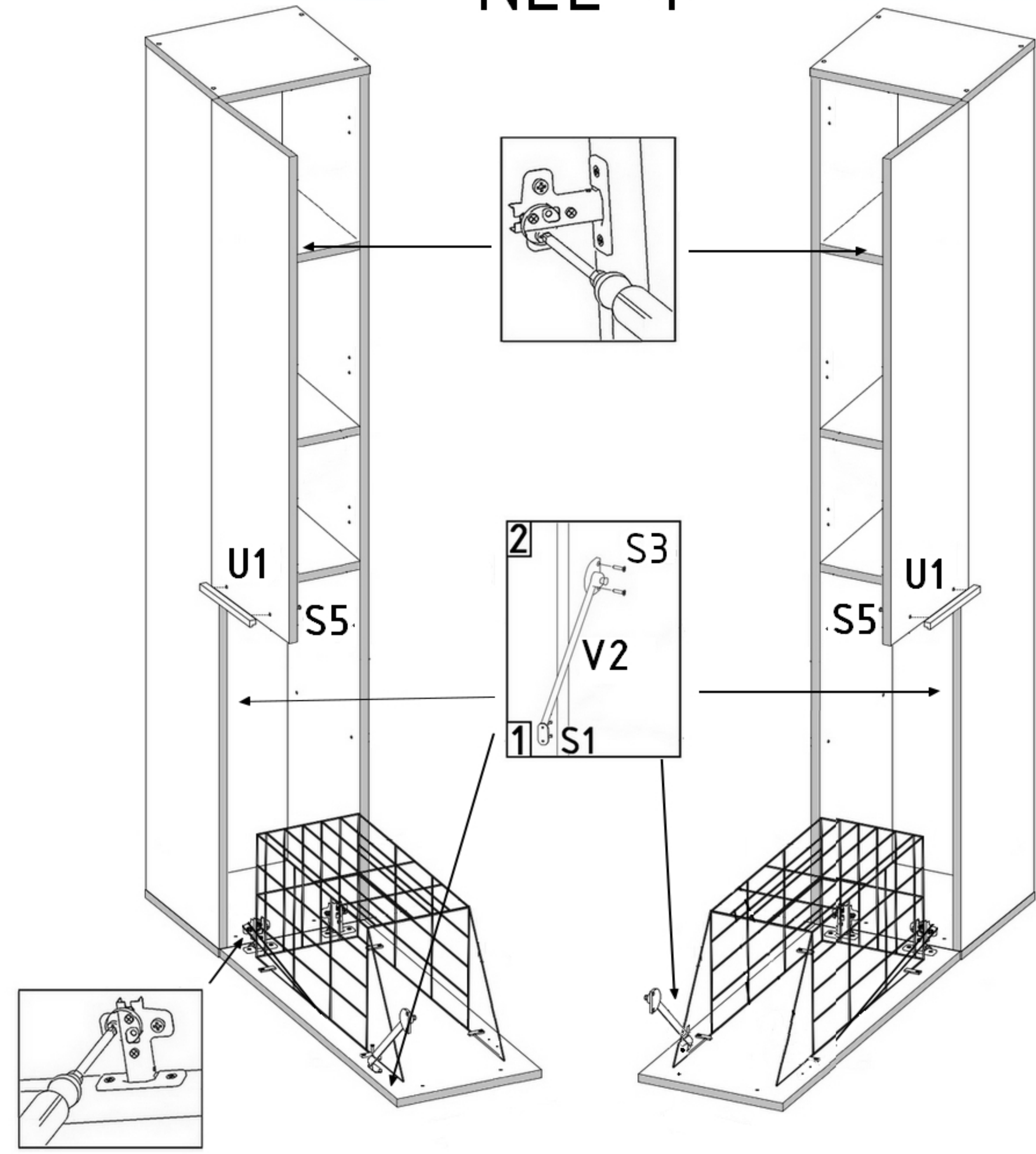
L

P

<p>U1</p>  <p>x2</p>	<p>S5</p>  <p>4x27 mm x4</p>	<p>V2</p>  <p>x1</p>	<p>S1</p>  <p>3,5x16 mm x2</p>	<p>S3</p>  <p>6x13 mm x2</p>
--------------------------------------------------------------------------------------------------------------------	-----------------------------------------------------------------------------------------------------------------------------	---------------------------------------------------------------------------------------------------------------------	-------------------------------------------------------------------------------------------------------------------------------	-------------------------------------------------------------------------------------------------------------------------------



NEL 4



L

P