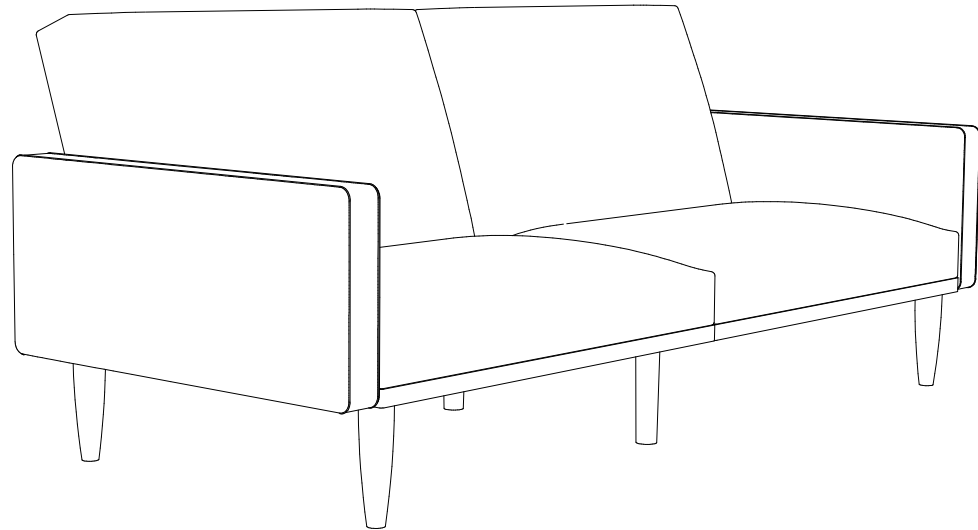


room essentials

linen futon with arms

style # 2126629T (light grey)

dpci # 249-05-0199



Weight limit: 600lbs / 272kgs

>> assembly instructions *(B342126629T00 - 25025 - H)*



Congratulations on your latest Target purchase.

Now what? Don't start sweating over this box of parts. This will be easy. We did the hardwork for you. All you need to do is follow our simple instructions and you'll be on your way to transforming your room in no time. Good luck--though we're confident you won't need it.

before you begin

1. Check for damaged or missing parts. Call **1-855-MYTGTHOME** (855-698-4846) to order missing supplies.
2. Use the carton as a working surface to prevent product damage during assembly.
3. Gather all tools prior to assembly.

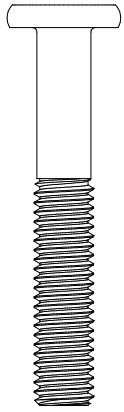
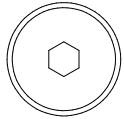
table of contents

introduction	2
hardware	4
parts list	5
assembly	6 - 11

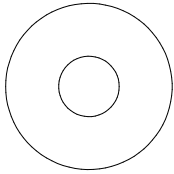
hardware

Hardware Pack# **T2126429T-00**

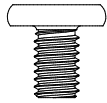
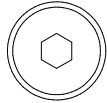
(H1) X 10
M8 bolt



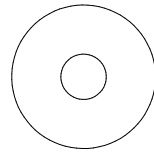
(H2) X 10
M8 Washer



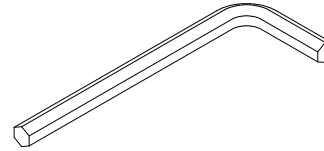
(H3) X 8
M6 bolt



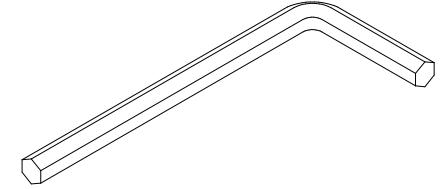
(H4) X 8
M6 Washer



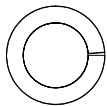
(H5) X 1
4mm Allen key



(H6) X 1
5mm Allen key

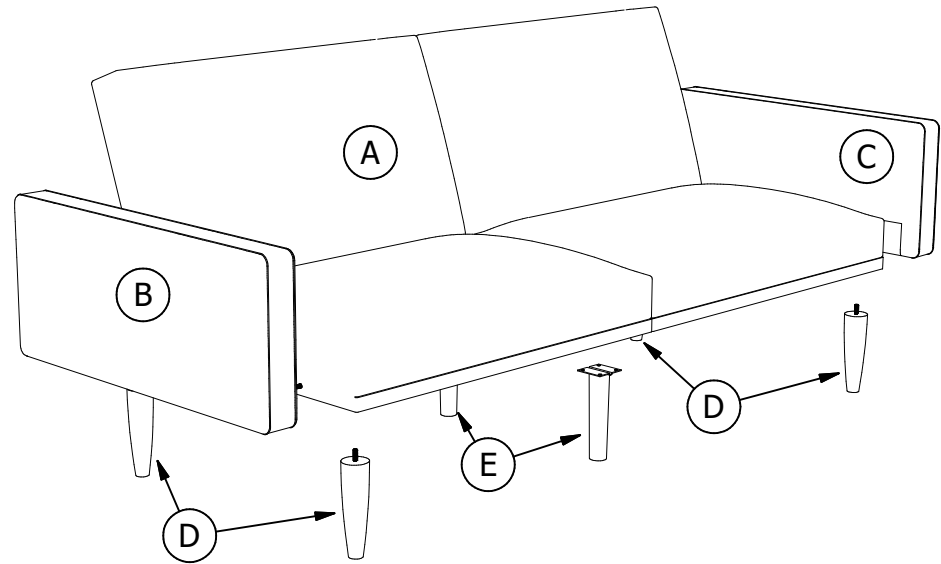


(H7) X 10
M8 *Spring Washer*

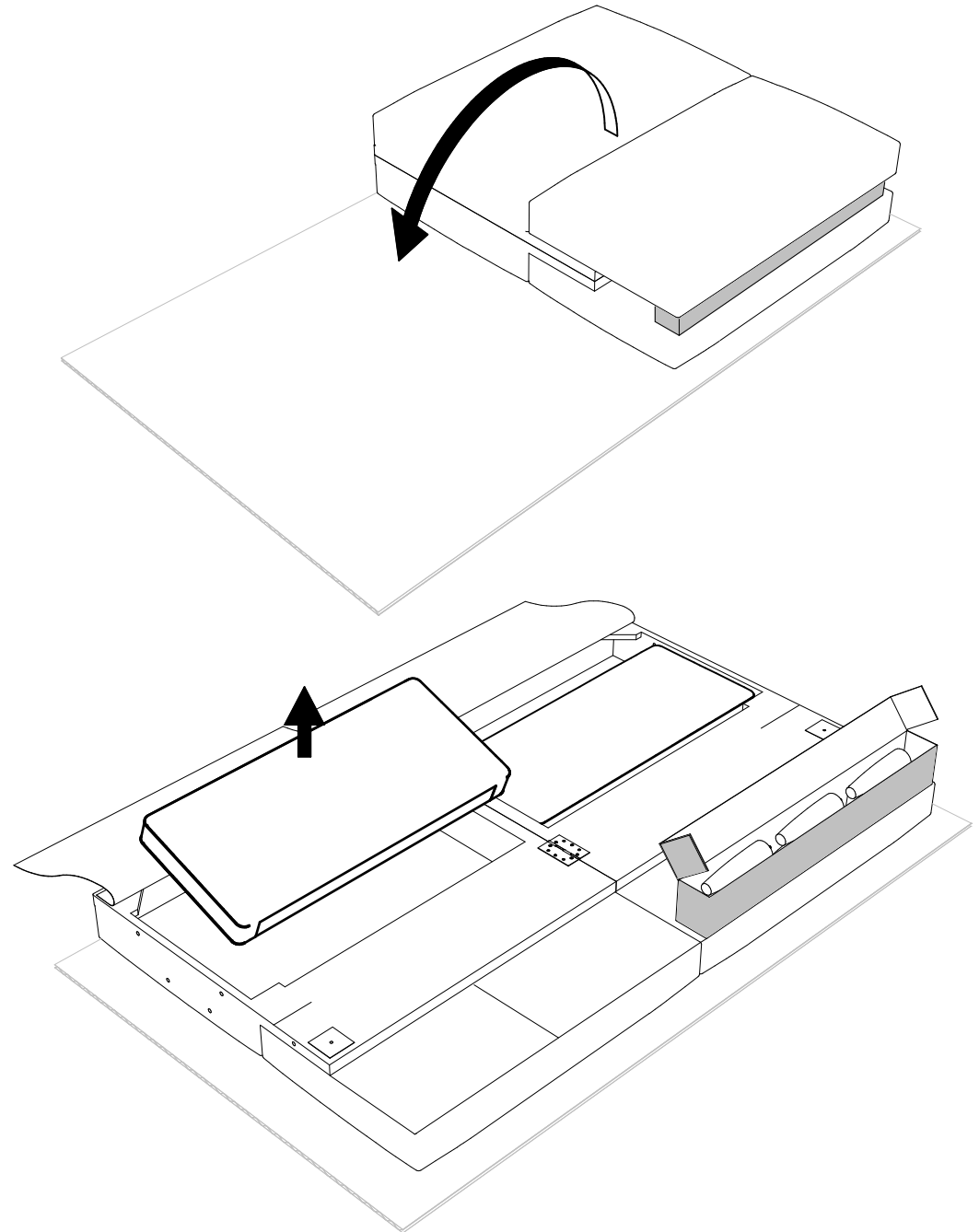


ITEM DESCRIPTION PART# QUANTITY

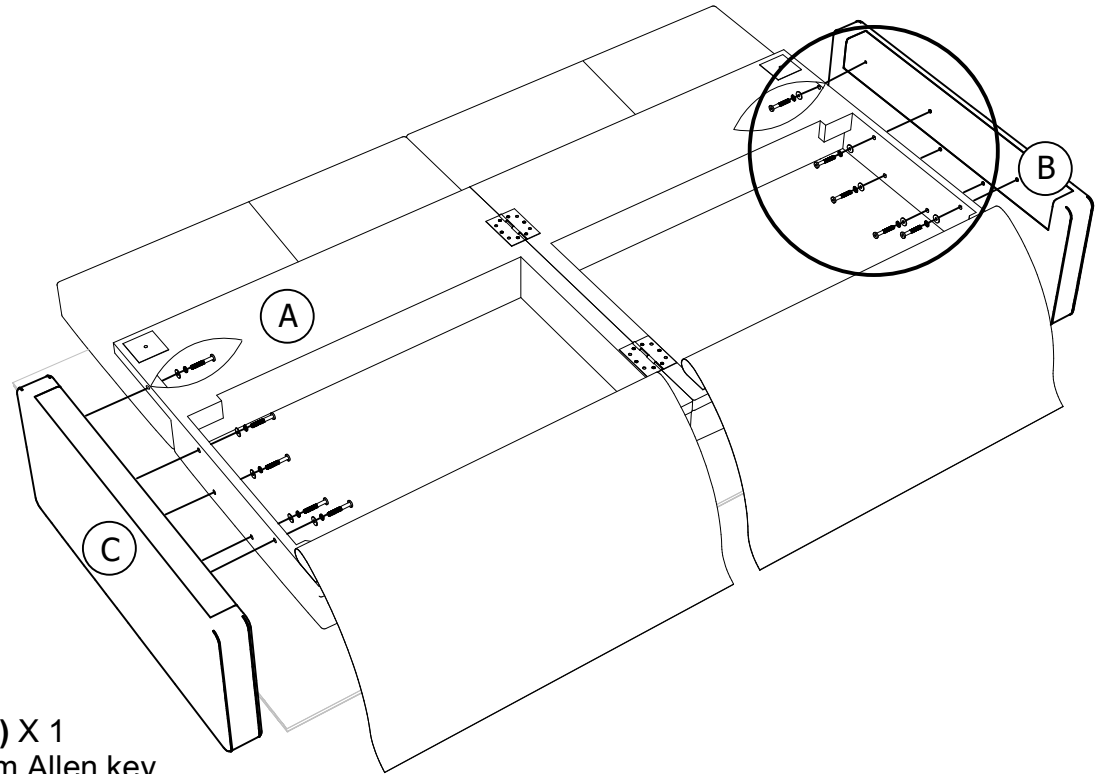
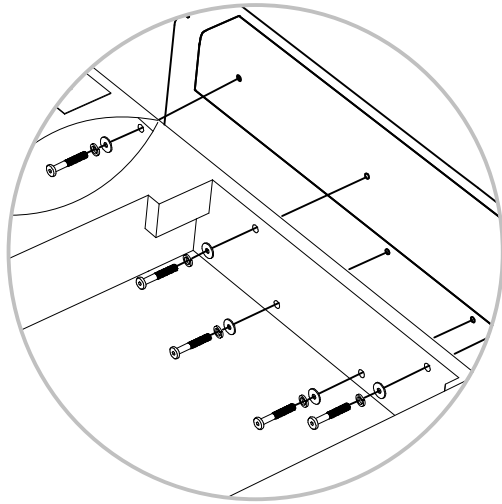
A	seat		1
B	left arm	T621030	1
C	right arm	T621040	1
D	corner leg	T619460	4
E	middle leg	T619470	2



step 1



step 2

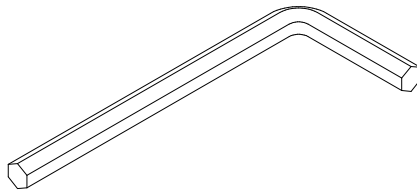
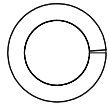
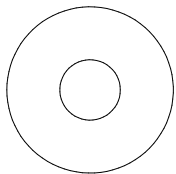
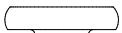
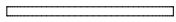
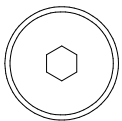


(H1) X 10
M8 bolt

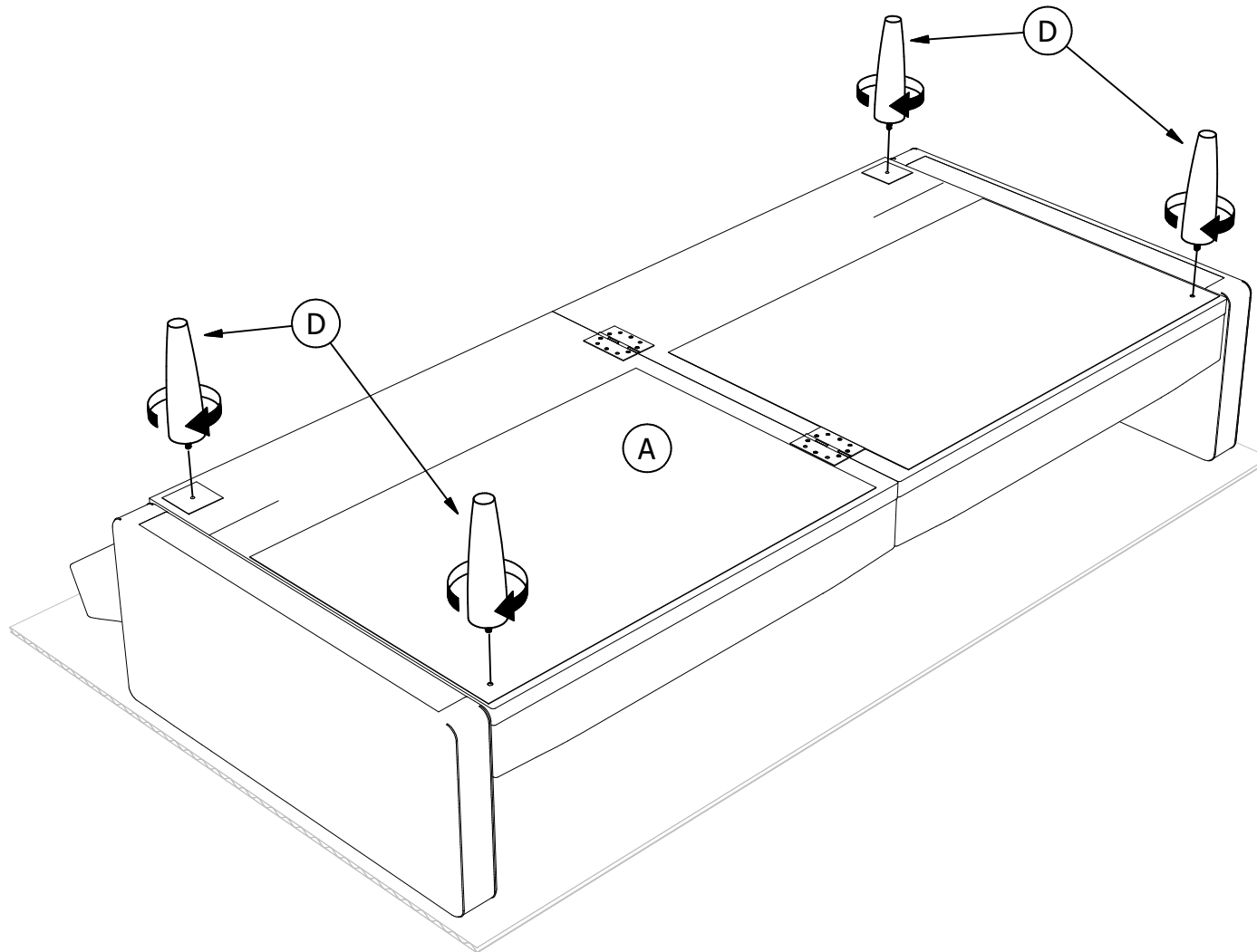
(H2) X 10
M8 Washer

(H7) X 10
M8 Spring Washer

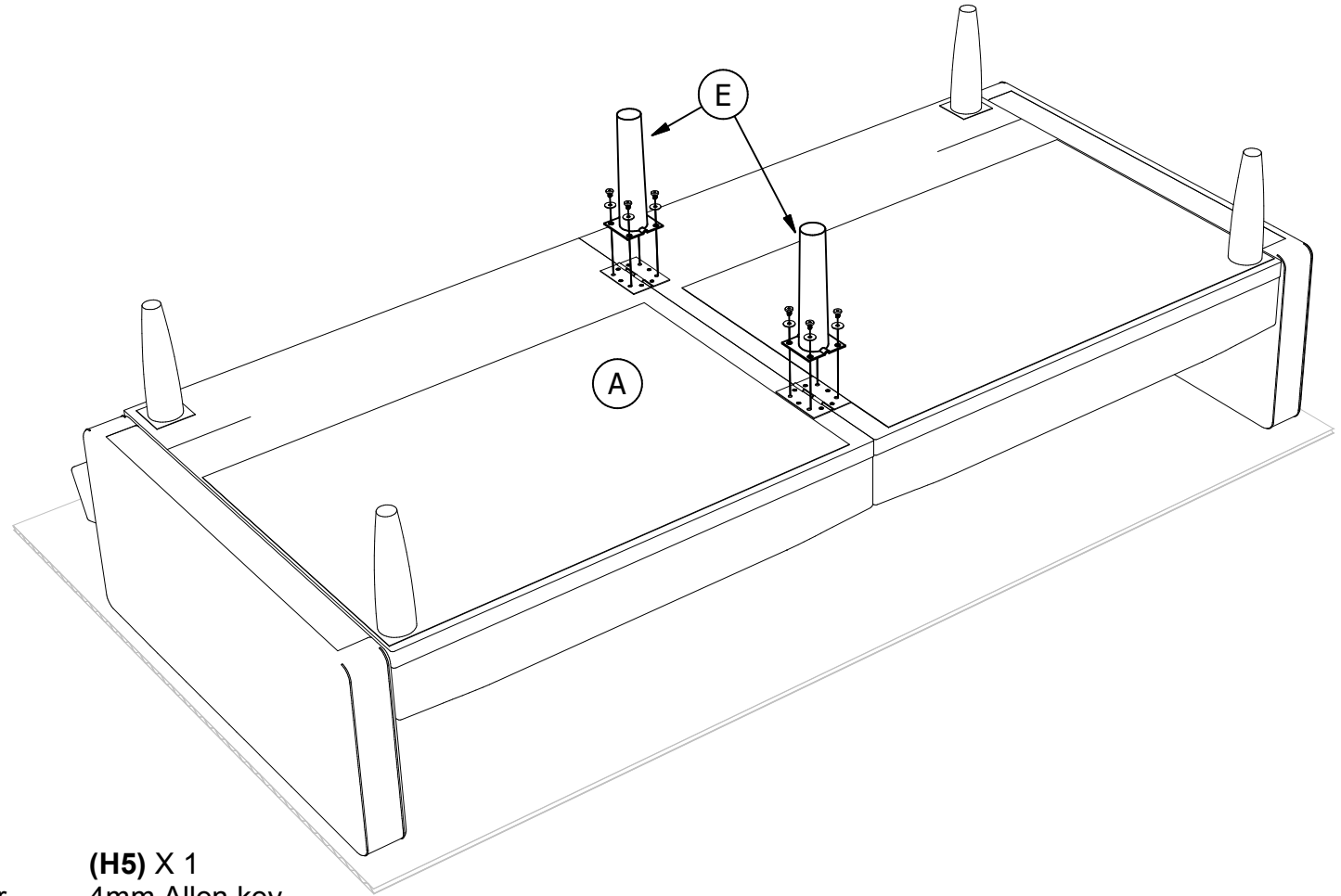
(H6) X 1
5mm Allen key



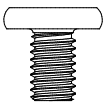
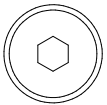
step 3



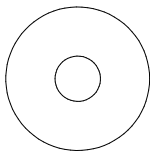
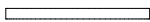
step 4



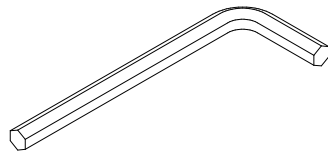
(H3) X 8
M6 bolt



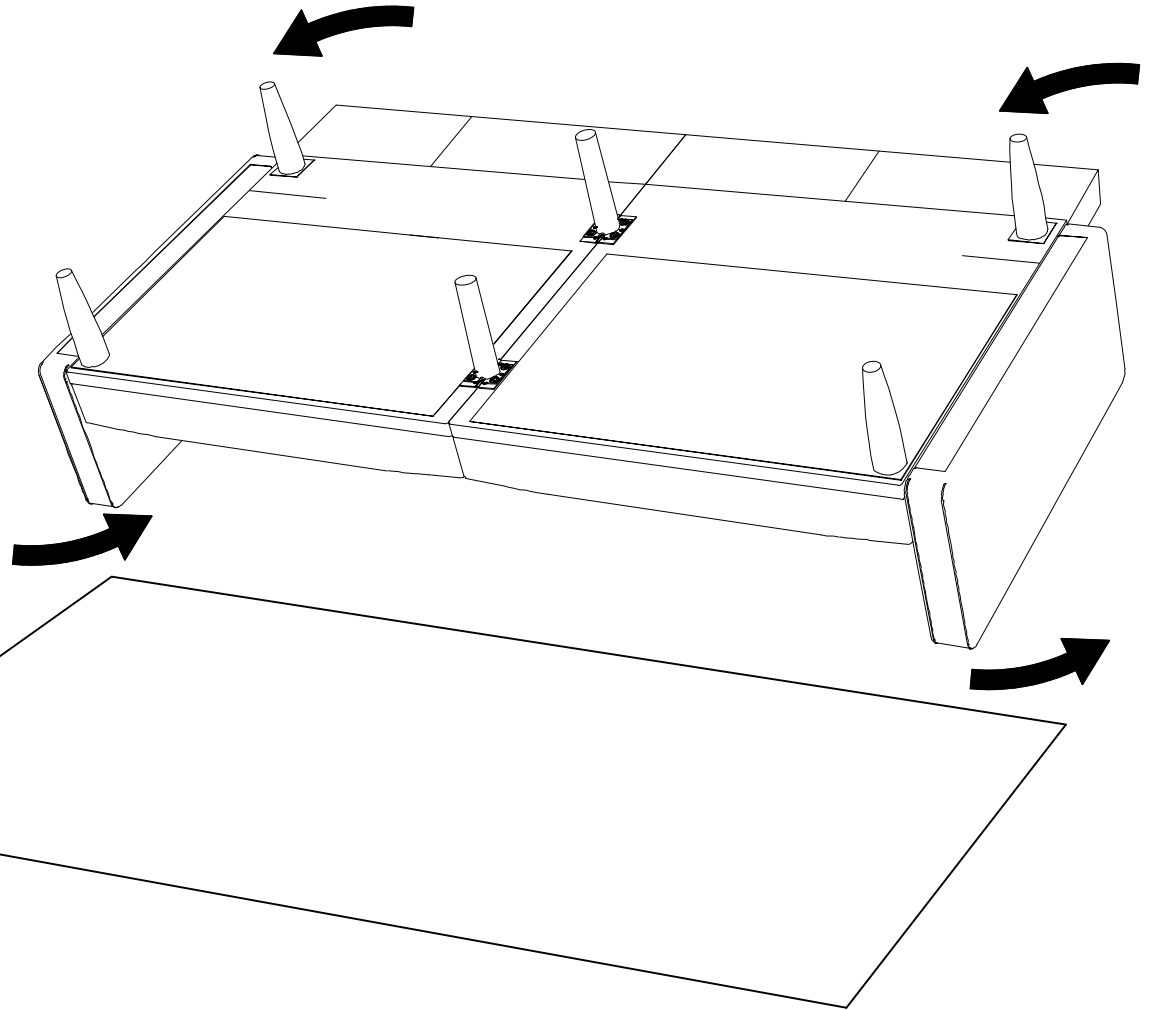
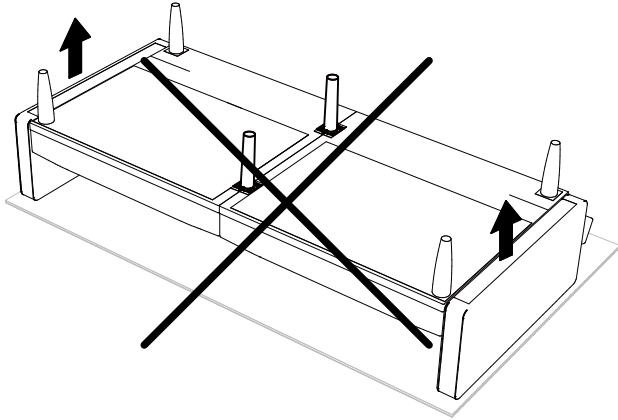
(H4) X 8
M6 Washer



(H5) X 1
4mm Allen key

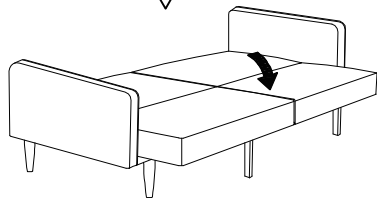
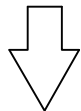
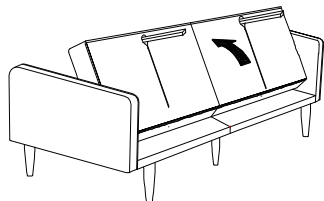
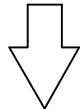
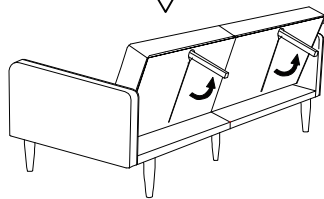
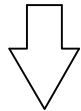
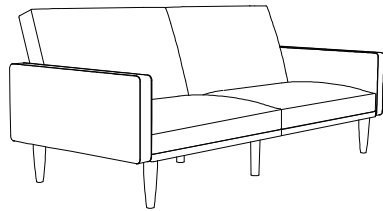


step 5

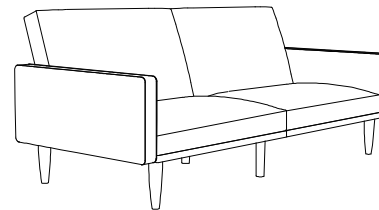
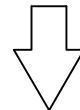
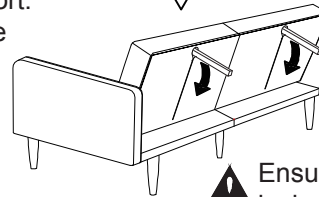
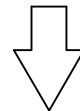
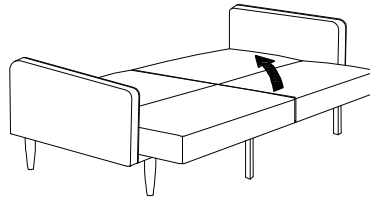


Do NOT lift to relocate your futon when it is in upside down position.
Please rotate the futon in the air with at least 2 person as illustrated before move it to the final location as your choice.

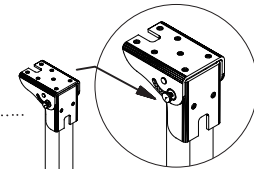
step 6



Before using the futon in the down or sleeping position, open zipper and pull legs out for support. Ensure legs are in the locked position.



Ensure the legs are locked in the down position. To unlock legs to store, push button to release leg.



Support Leg
T615110
X2

