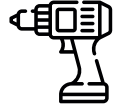
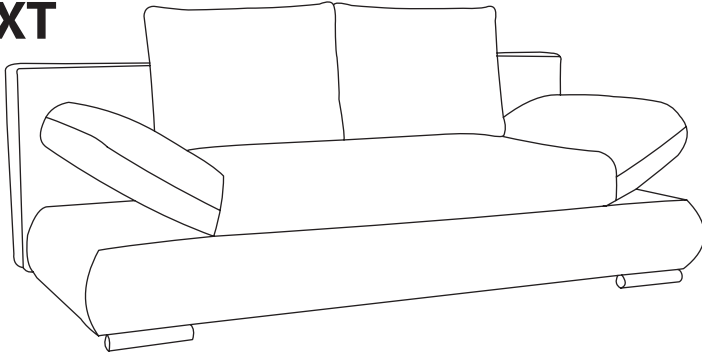
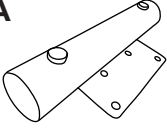


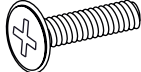
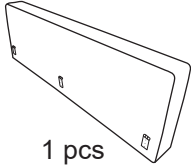
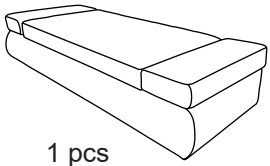


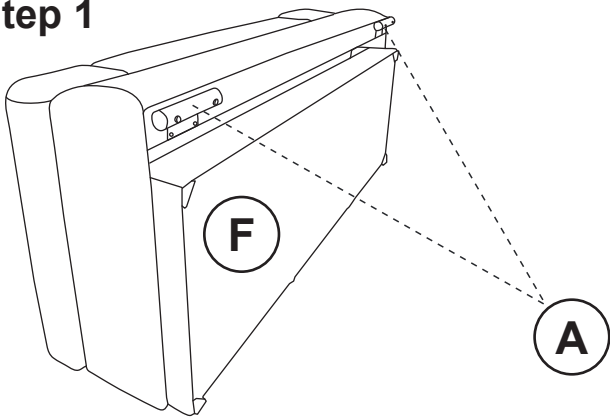
# NEXT



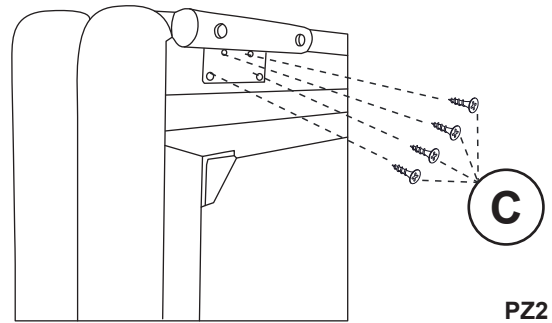
PZ2, PH3

<b>A</b>  2 pcs	<b>B</b> 5x45mm  7 pcs	<b>C</b> 5x30mm  8 pcs	<b>D</b> 6x20mm  2 pcs	<b>E</b>  1 pcs	<b>F</b>  1 pcs
--	---	---	---	---	--

## Step 1

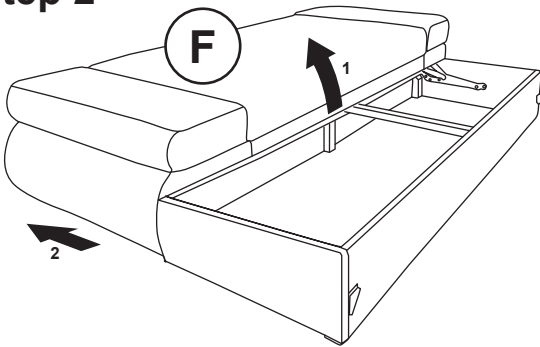


### 1a

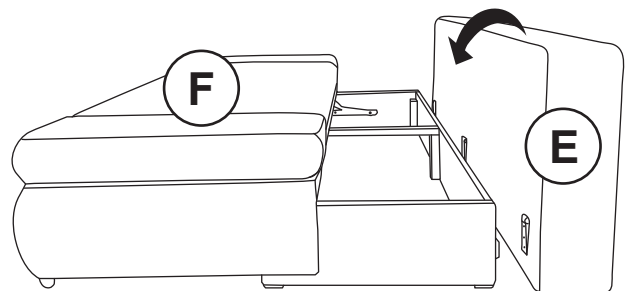


PZ2

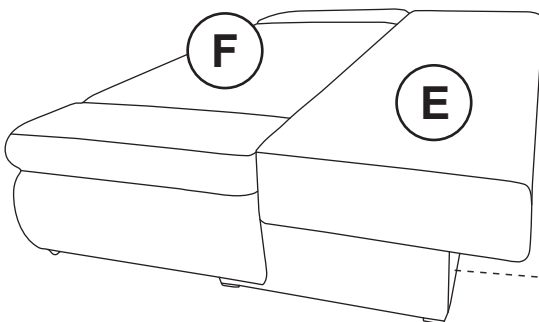
## Step 2



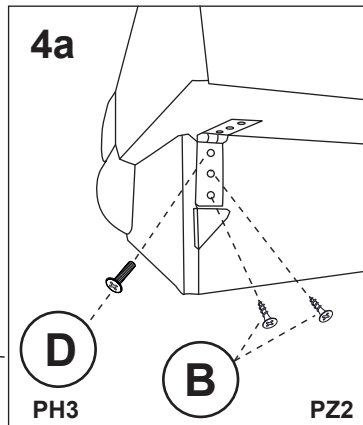
## Step 3



## Step 4



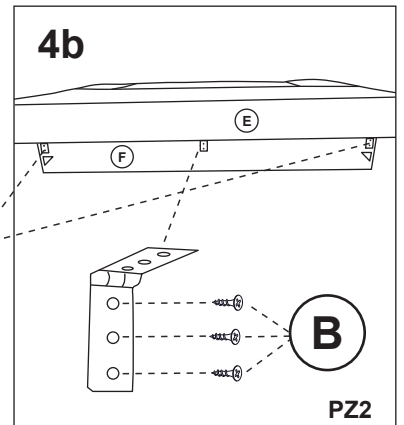
### 4a



PH3

PZ2

### 4b



PZ2