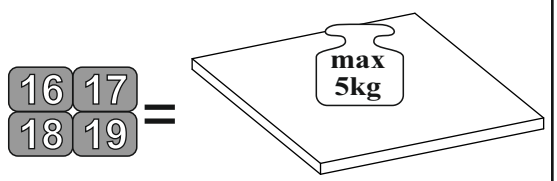
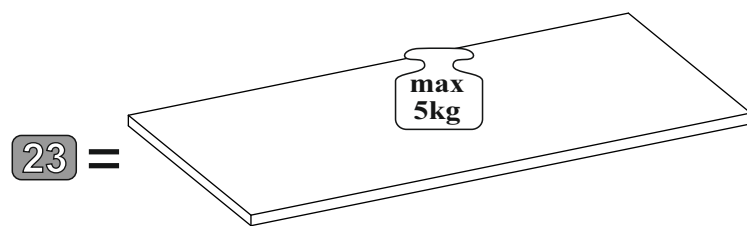
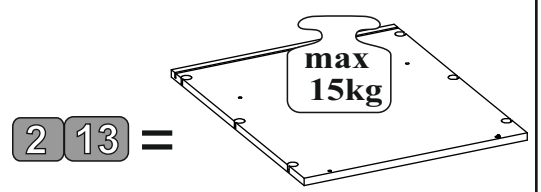
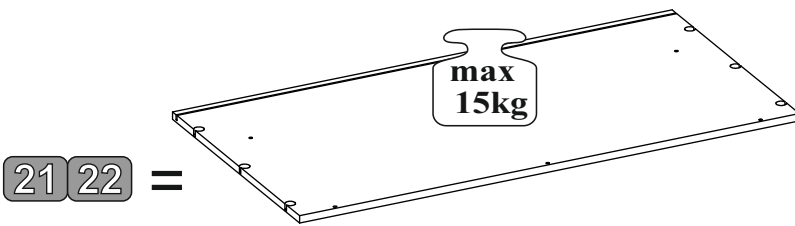
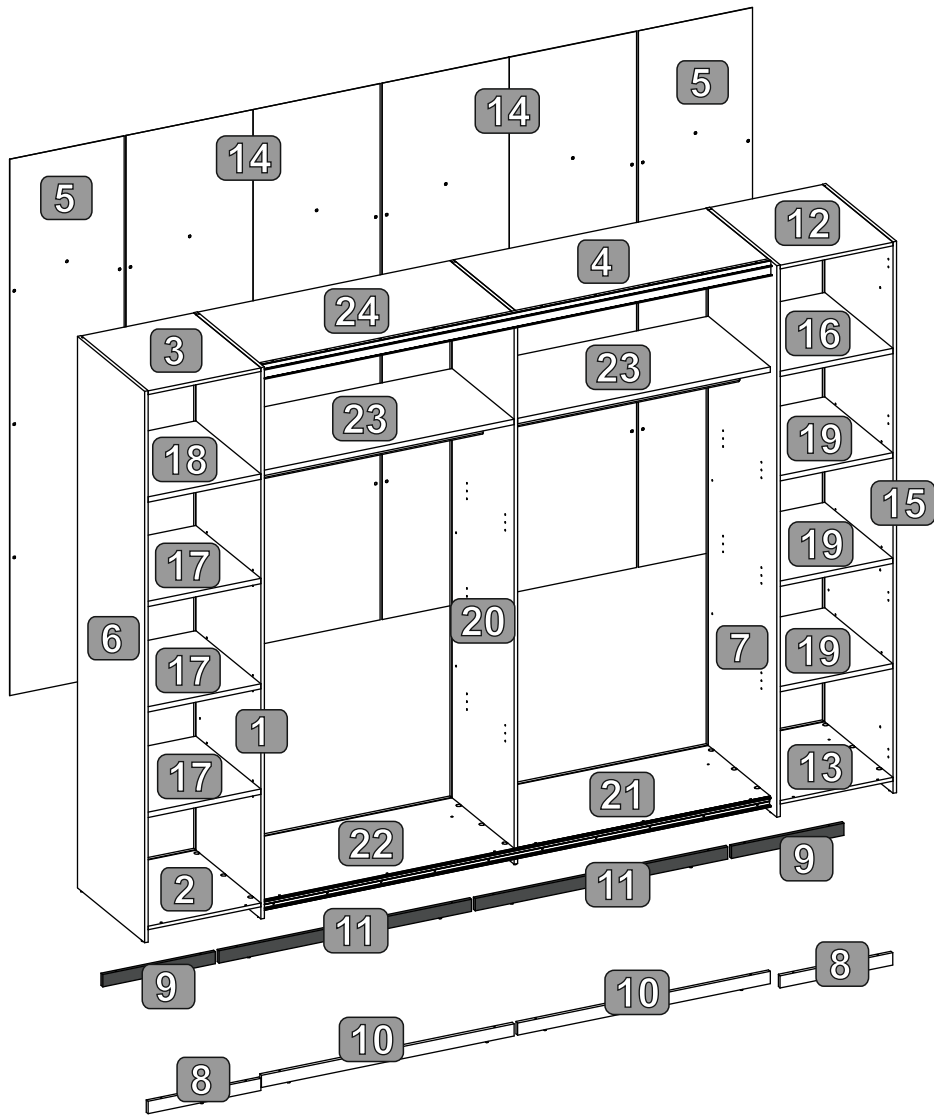
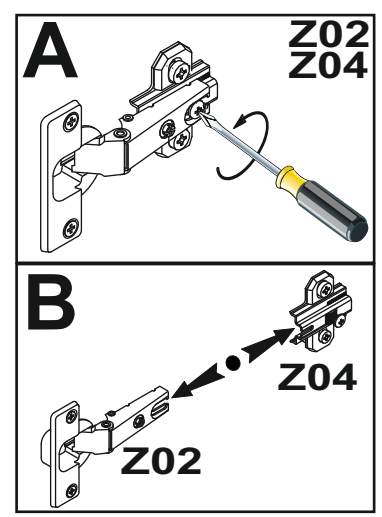
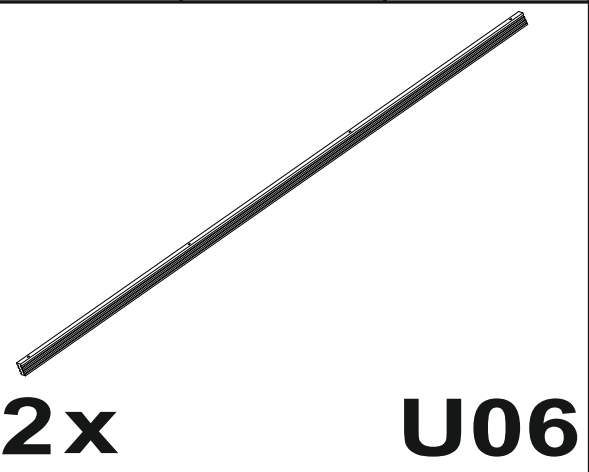
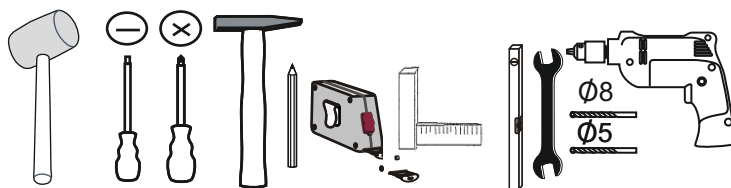
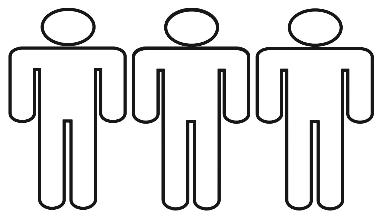
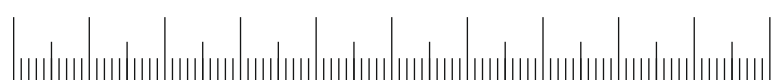


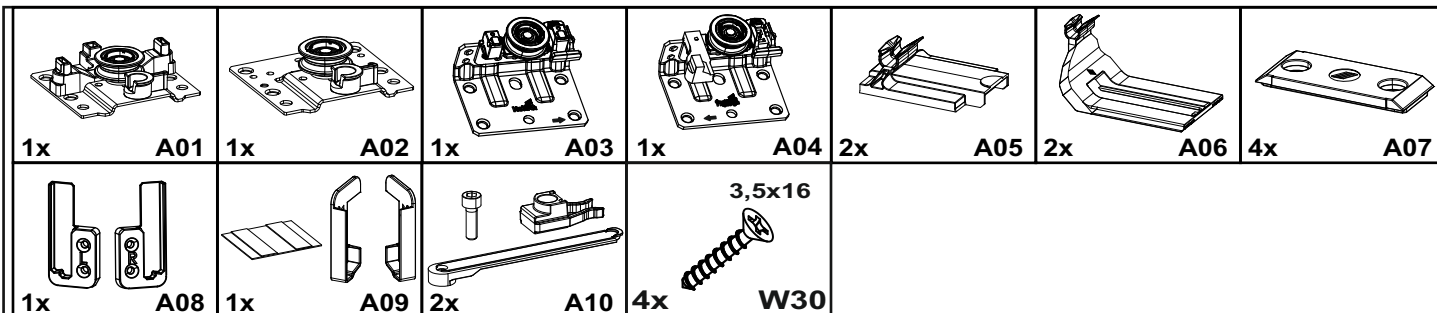
NR	DIM	QTE	COLLI
1	2250x560x15	1	1/8
2	469,5x560x15	1	1/8
3	469,5x560x15	1	1/8
4	1052,5x535x15	1	1/8
5	2188x476x2	2	1/8
6	2250x560x15	1	1/8
7	2250x588x15	1	2/8
8	469,5x50x15	2	2/8
9	469,5x50x15	2	2/8
10	1052,5x50x15	2	2/8
11	1052,5x50x15	2	2/8
12	469,5x588x15	1	2/8
13	469,5x588x15	1	2/8
14	2188x1059x2	2	2/8
15	2250x588x15	1	2/8
16	469,5x569x22	1	3/8
17	469,5x540x22	3	3/8
18	469x541x22	1	3/8
19	469,5x568x22	3	3/8
20	2249x535x15	1	3/8
21	1052,5x535x15	1	4/8
22	1052,5x535x15	1	4/8
23	1052,5x516x22	2	4/8
24	1052,5x535x15	1	4/8
25	2200x496x15	1	6/8
26	2200x496x15	1	6/8
27	1075x550x15	4	7/8;8/8
28	1075x550x15,5	4	7/8;8/8



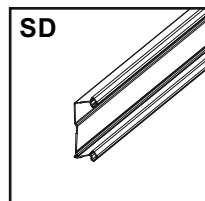
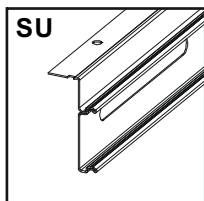
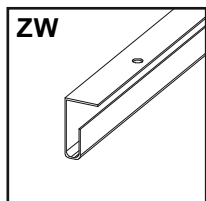
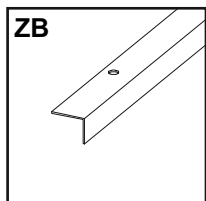
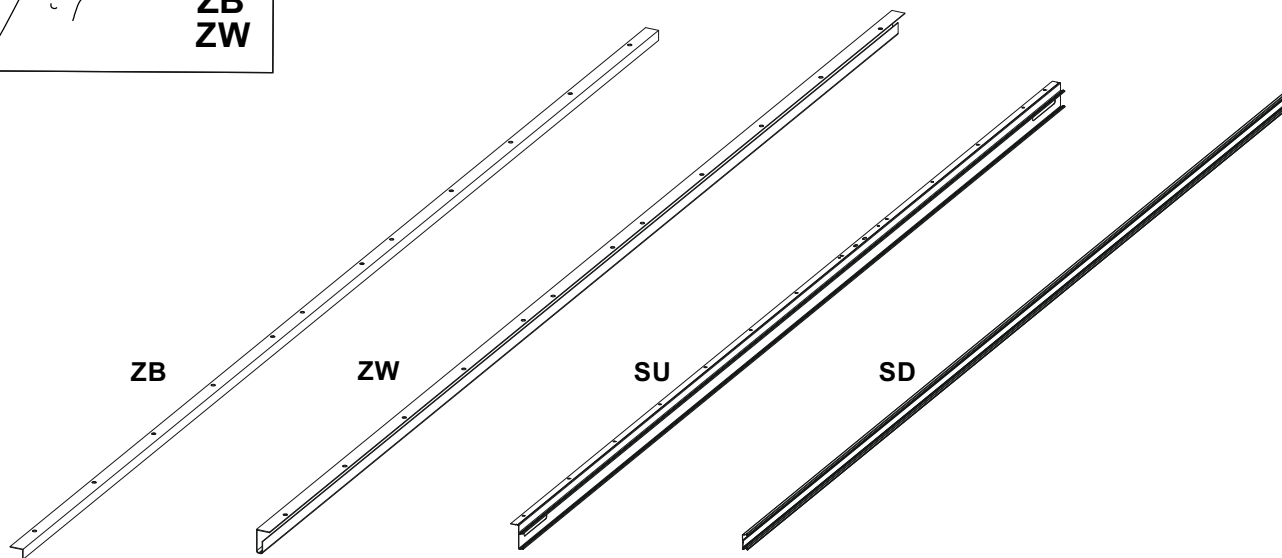
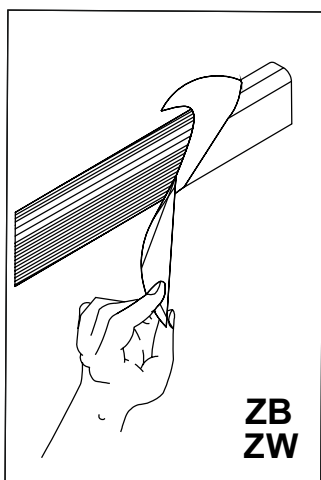


0 10 20 30 40 50 60 70 80 90 100

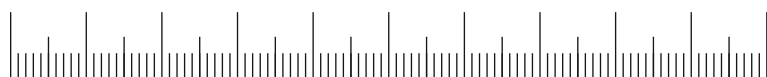




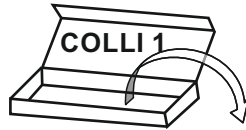
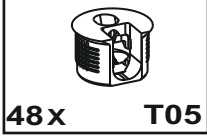
NR	DIM	QTE	COLLI
ZB	L-2200	1	5/8
ZW	L-2200 H-37	3	5/8
SU	L-2118	1	5/8
SD	L-2114	1	5/8



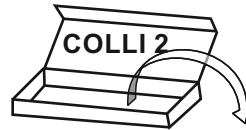
0 10 20 30 40 50 60 70 80 90 100



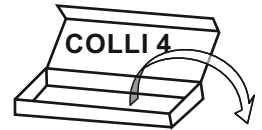
1



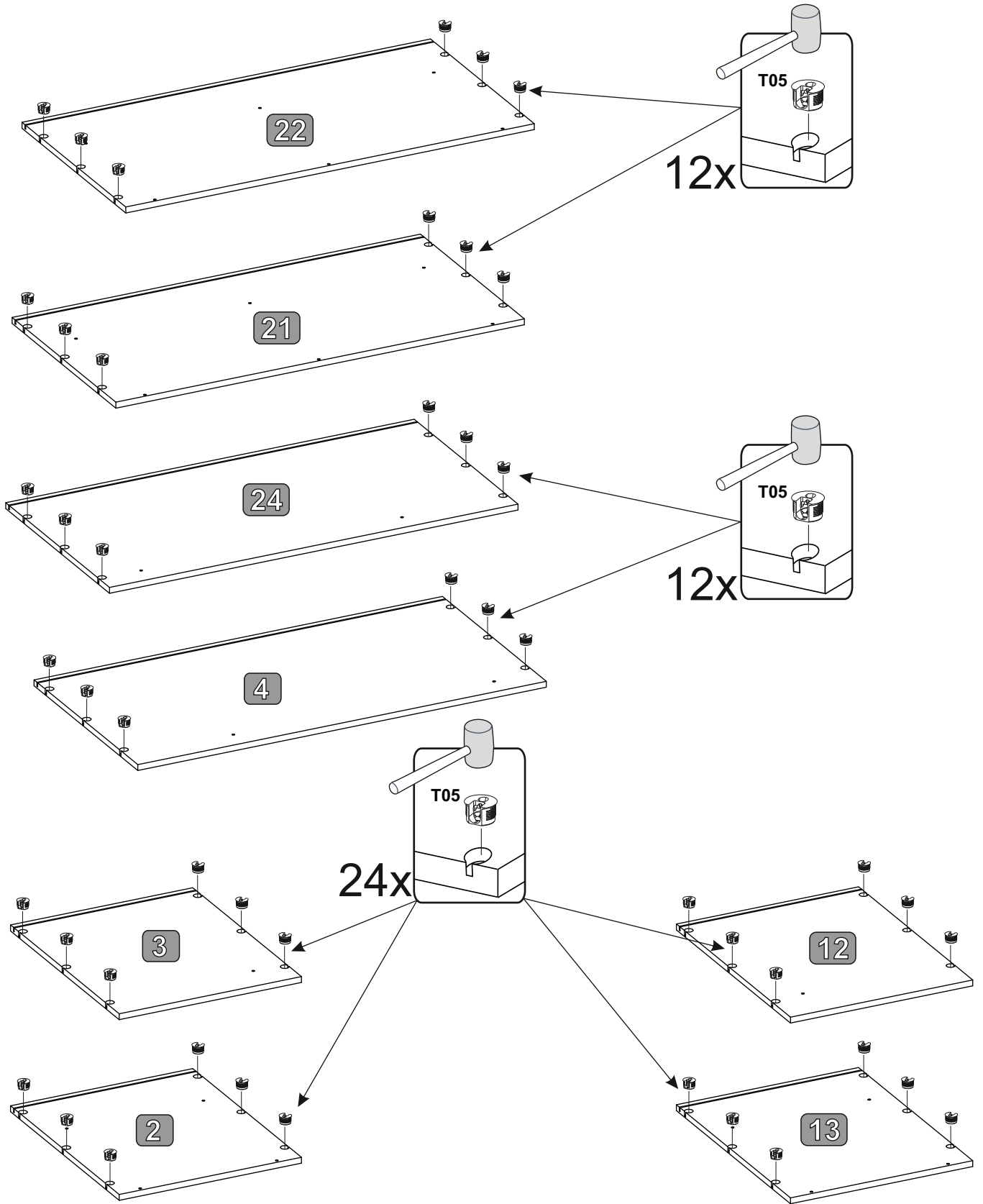
2 3 4



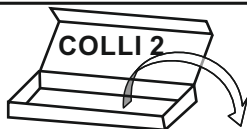
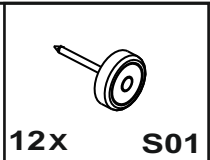
12 13



21 22 24

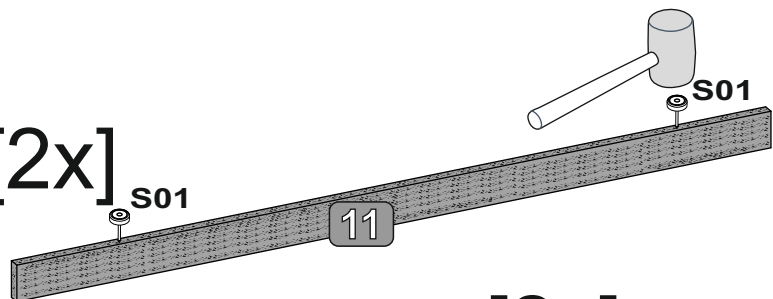


2

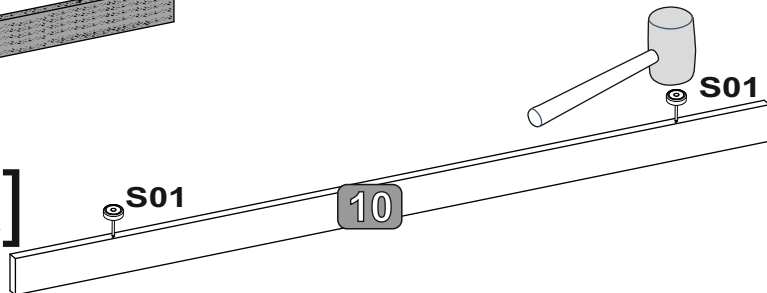


10 11 12 13

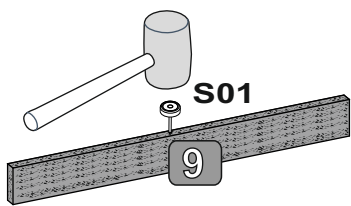
[2x]



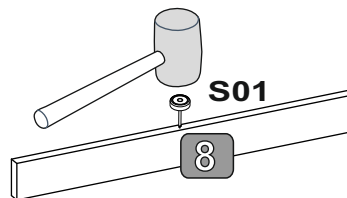
[2x]



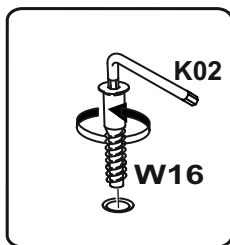
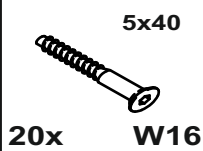
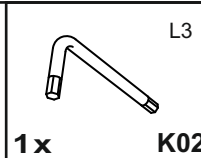
[2x]



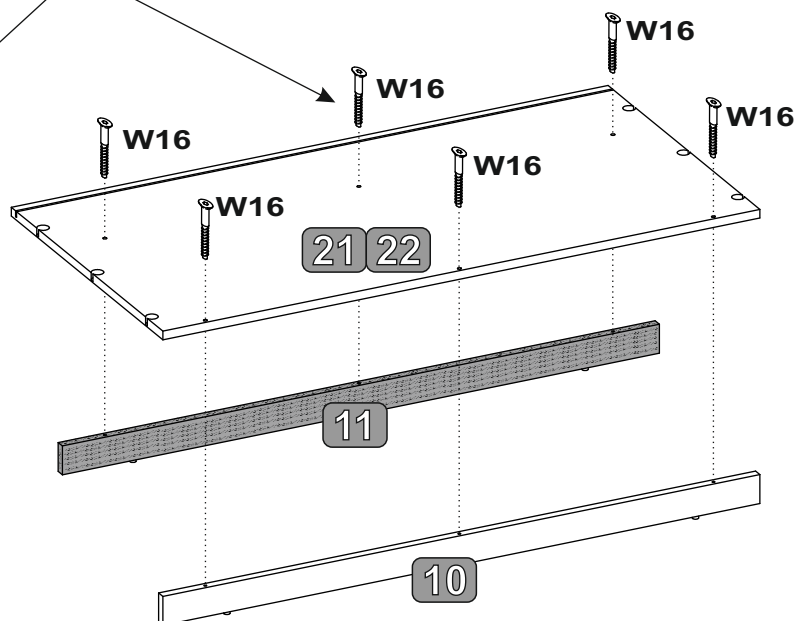
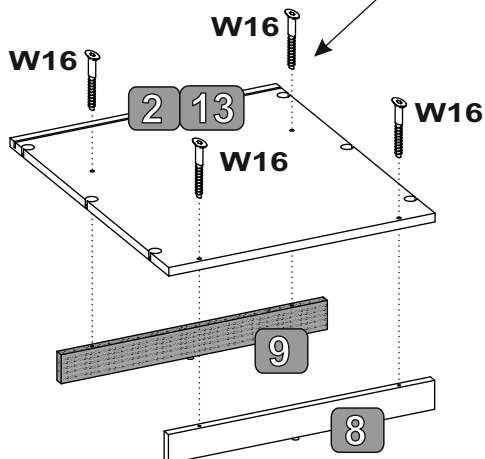
[2x]



3



20x



4

2x



S01

6x



T04

3 x



E09

3x



6x8

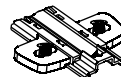
W10

2x

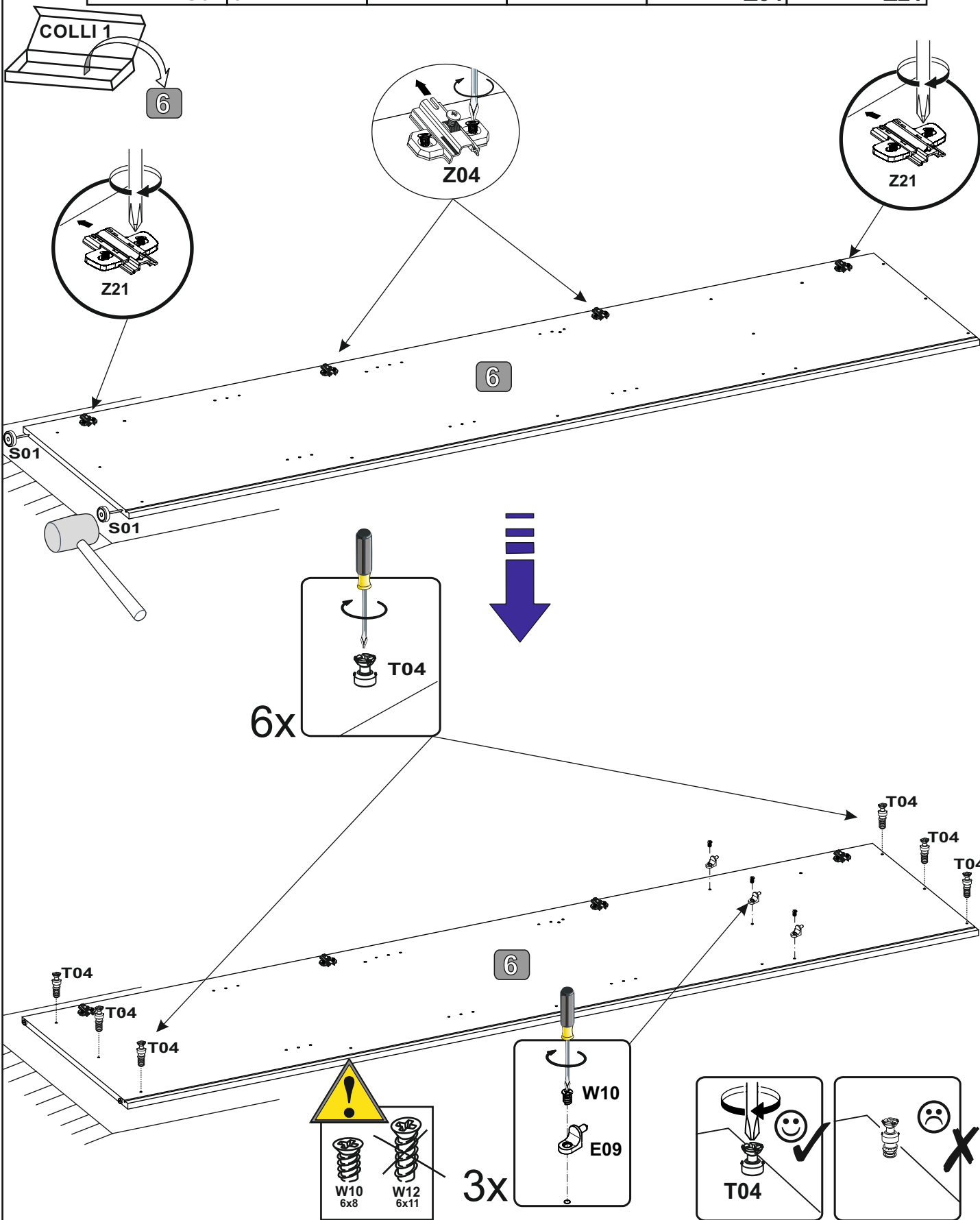


Z04

2x



Z21



5

2x



S01

12x



T04

1x



E03

2x

3,5x13



W02

6x



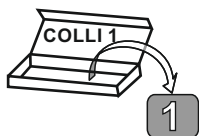
E09

6x

6x8

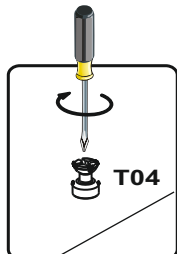


W10



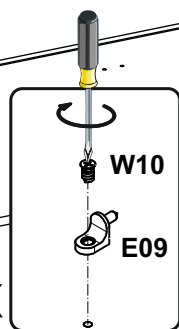
1

6x



T04

6x



W10

E09

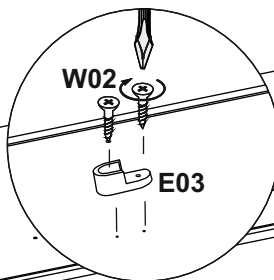


W10
6x8



W12
6x11

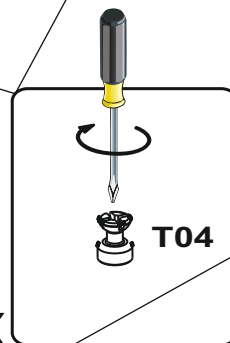
1



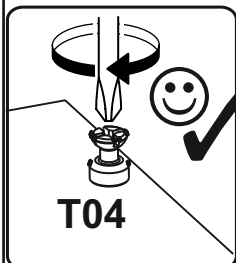
W02

E03

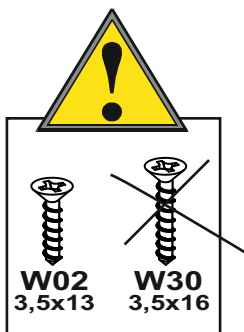
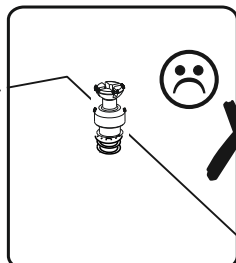
6x



T04

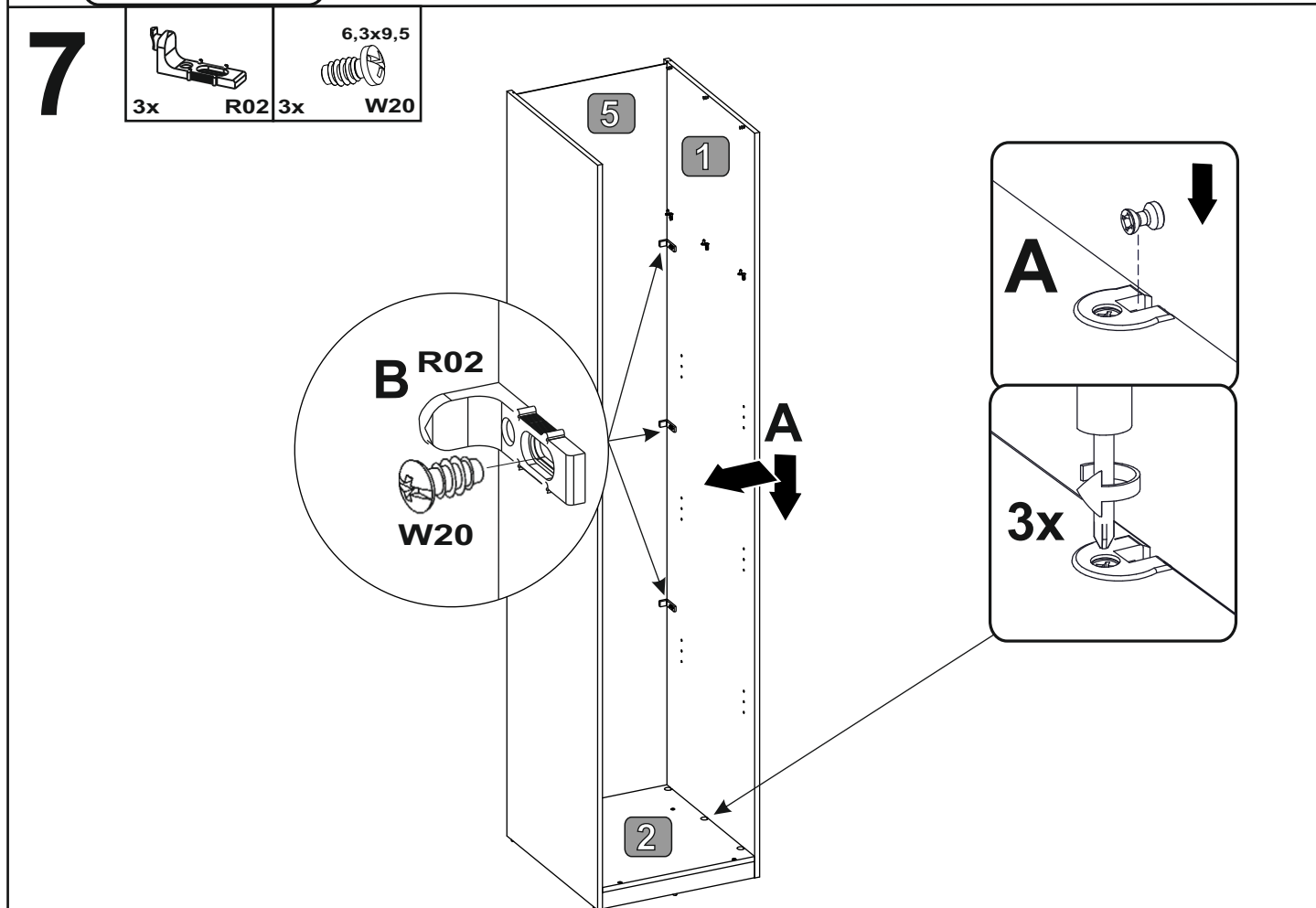
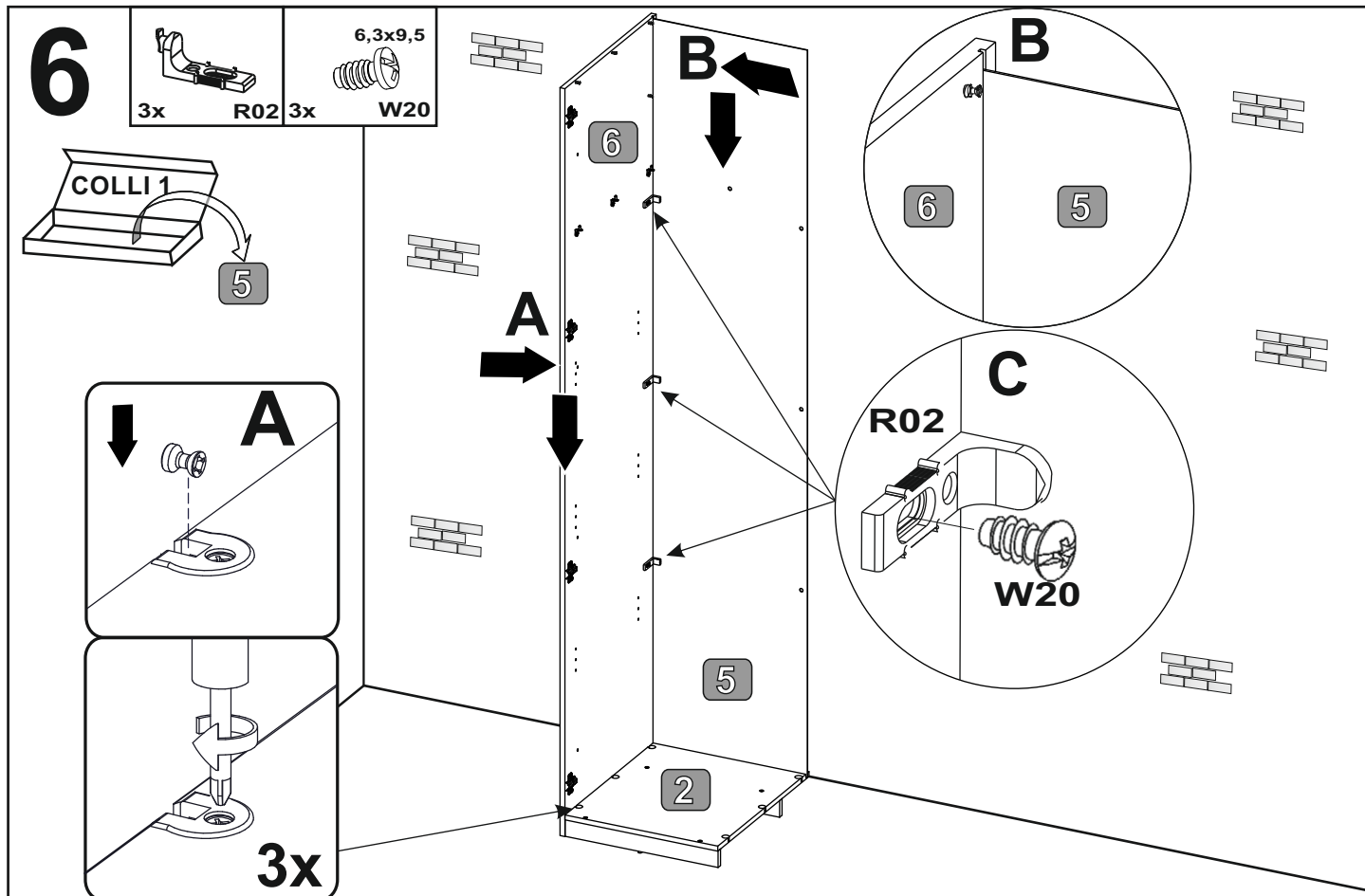


T04

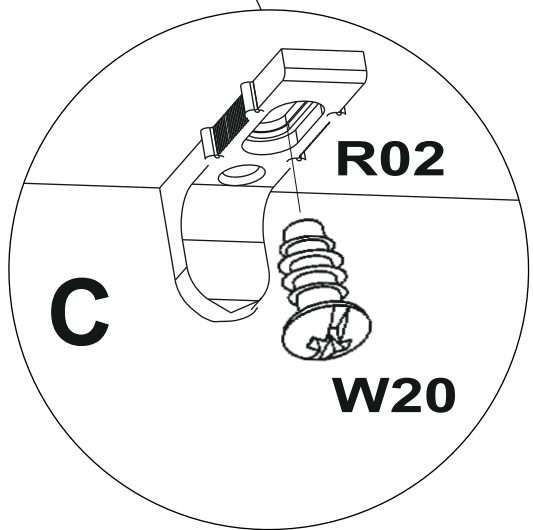
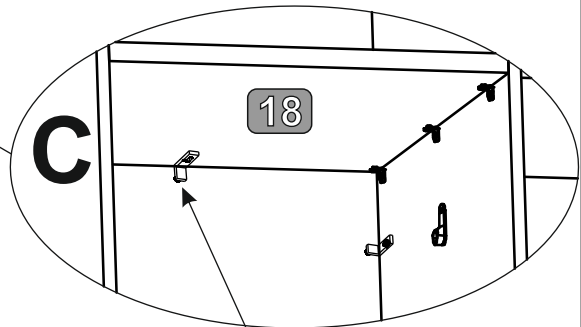
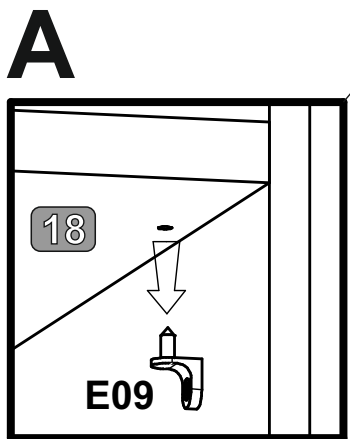
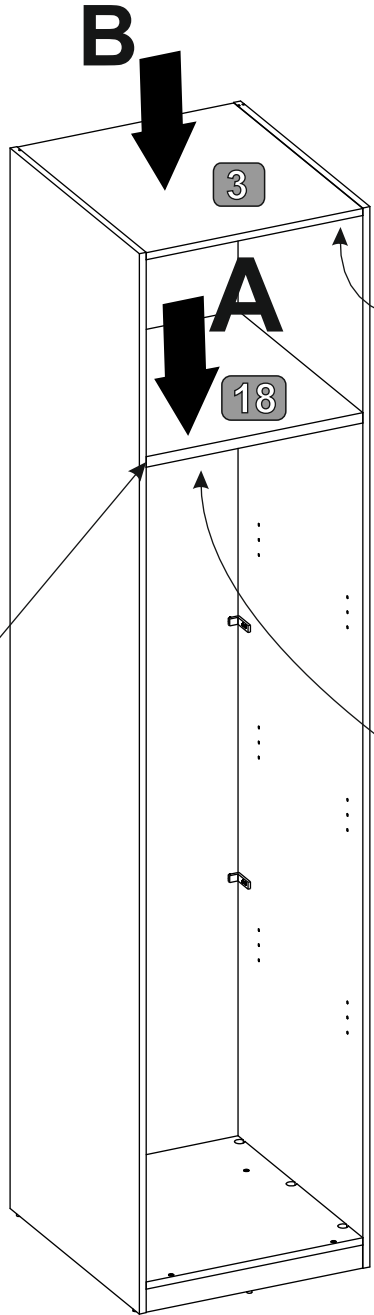
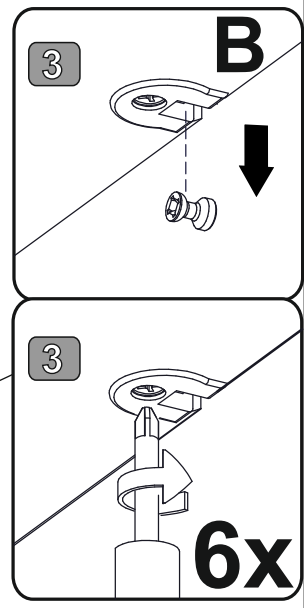
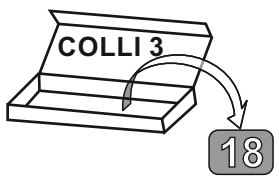
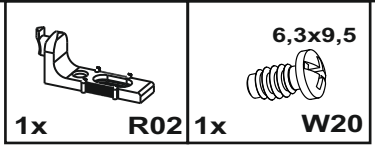


W02
3,5x13







W30
3,5x16

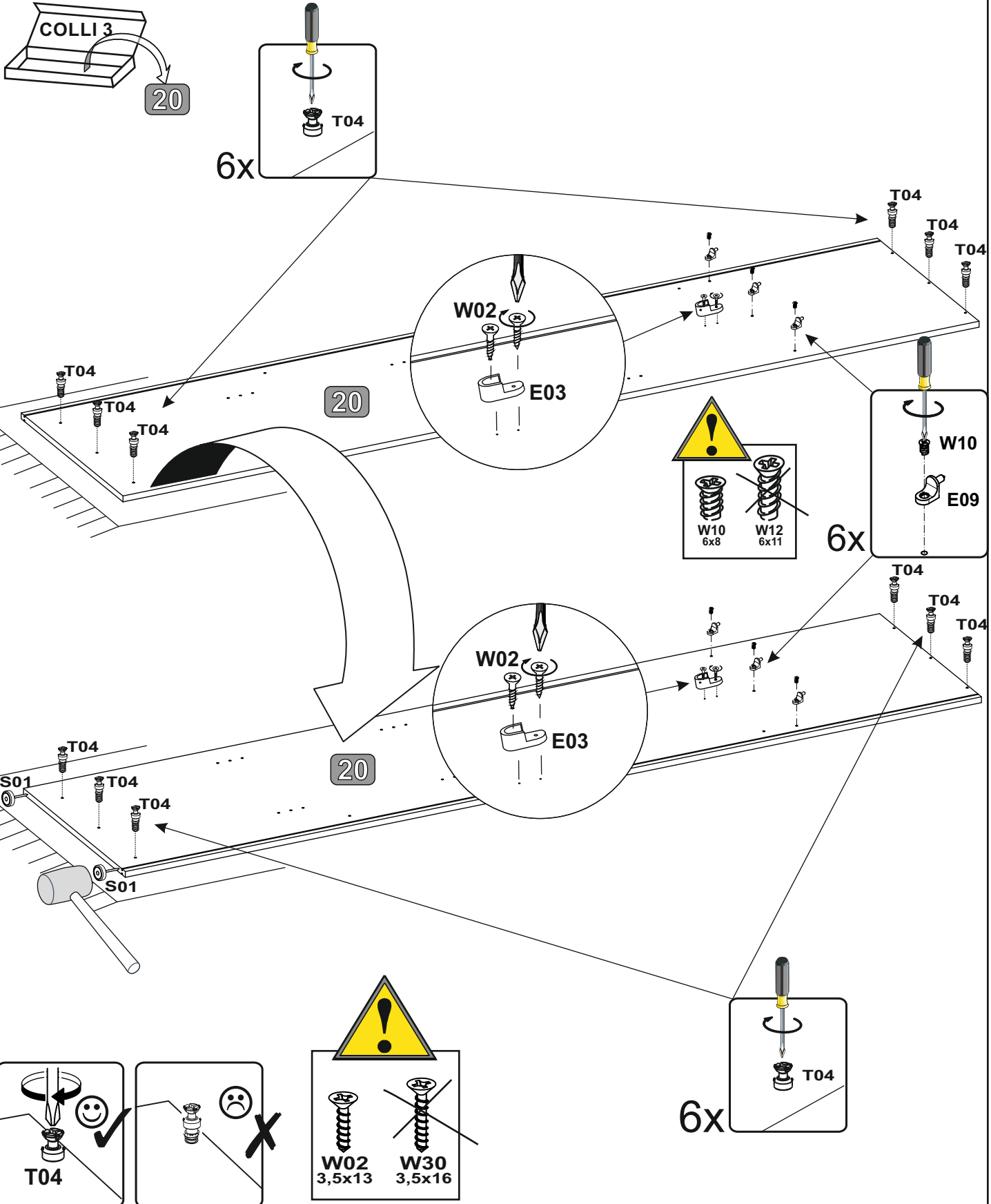


8

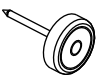







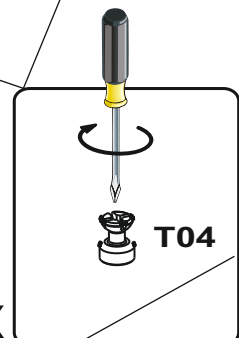
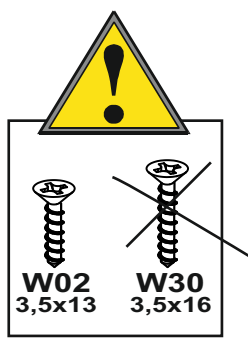
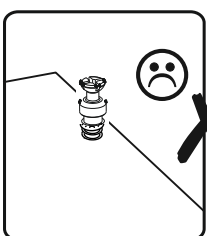
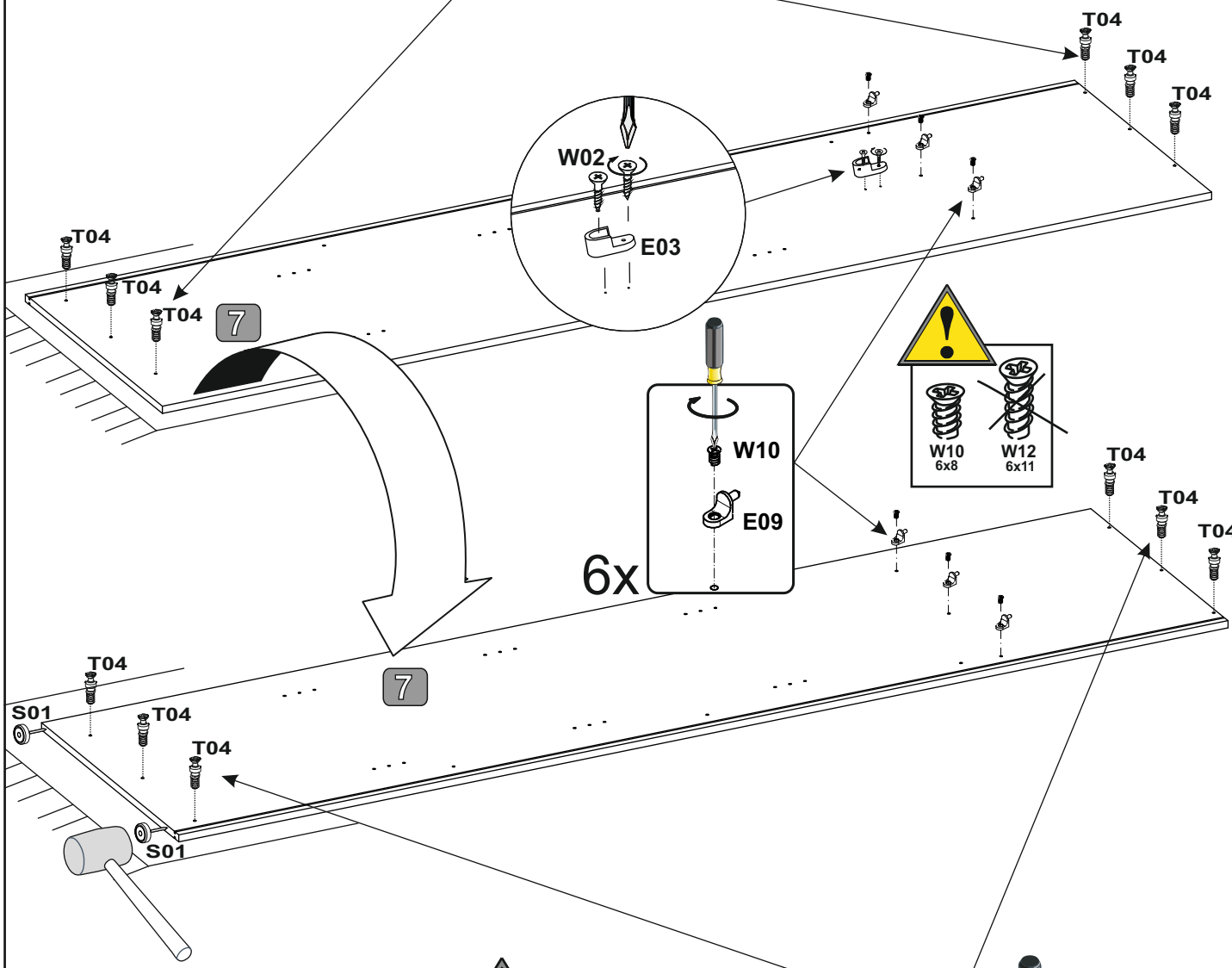
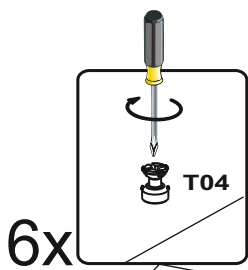
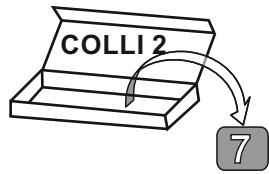
9

					
2x S01	12x T04	2x E03	4x W02 3,5x13	6x E09	6x W10 6x8



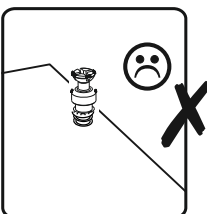
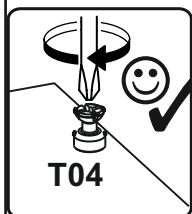
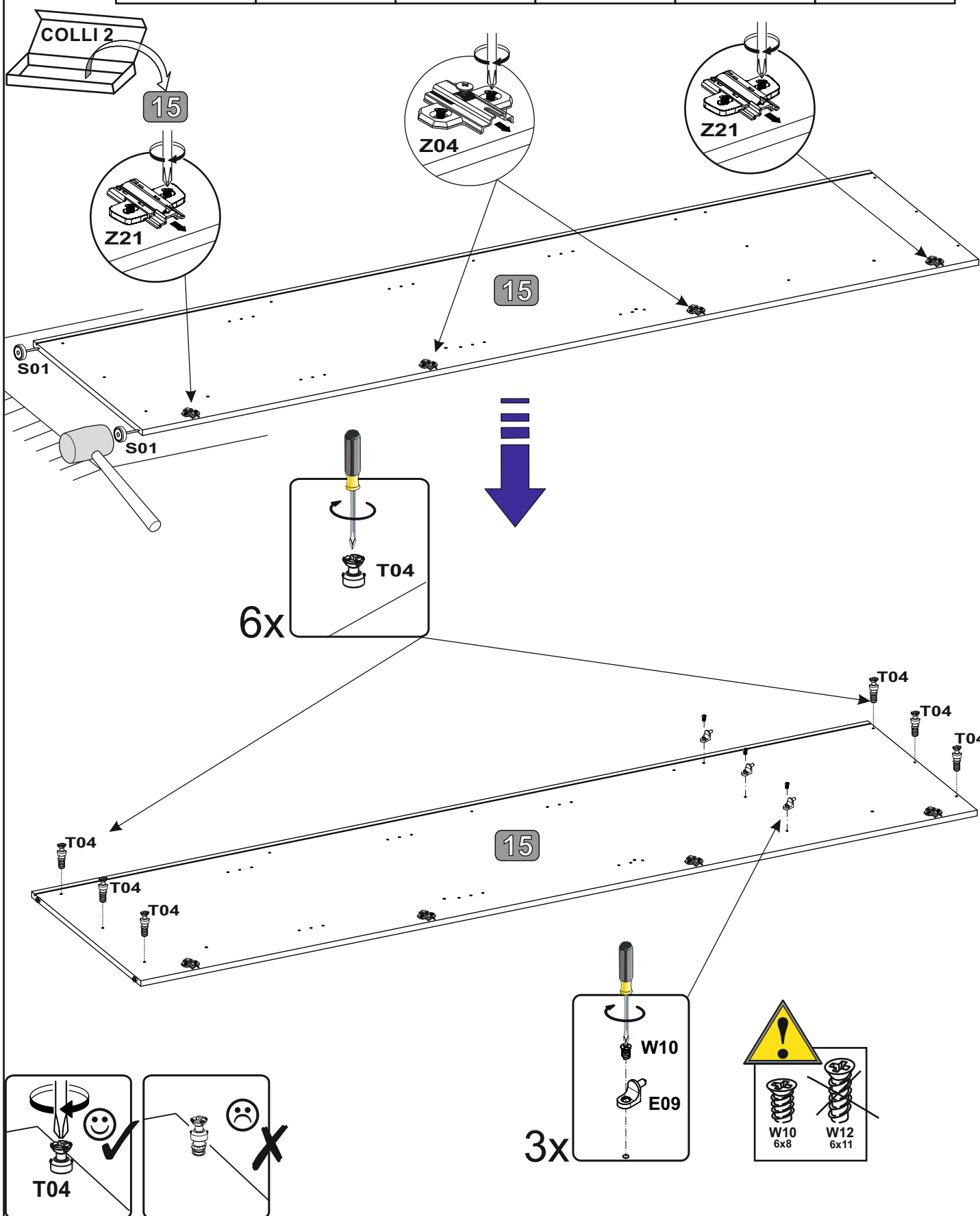
10

2x		12x		1x		2x		6x		6x	
	S01		T04		E03		W02		E09		W10

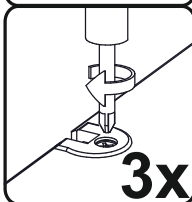
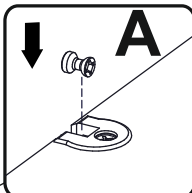
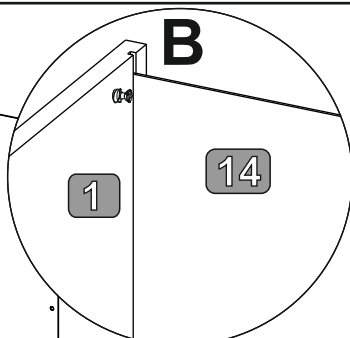
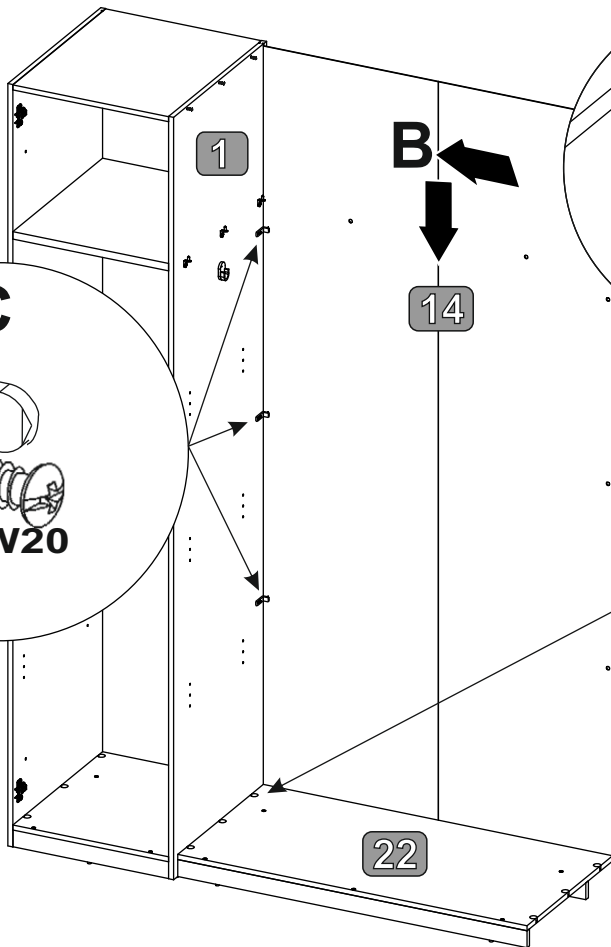
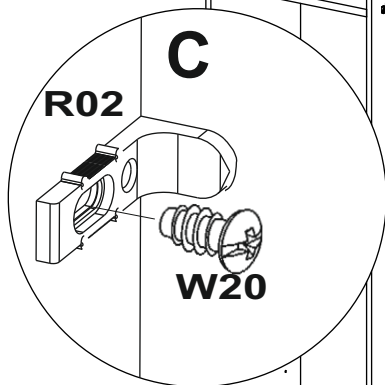
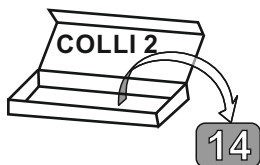
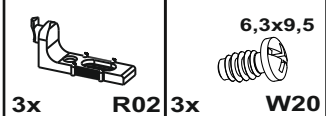


11

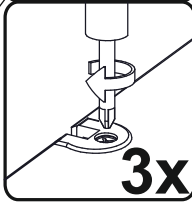
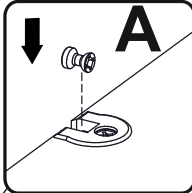
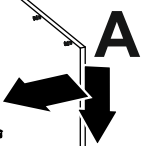
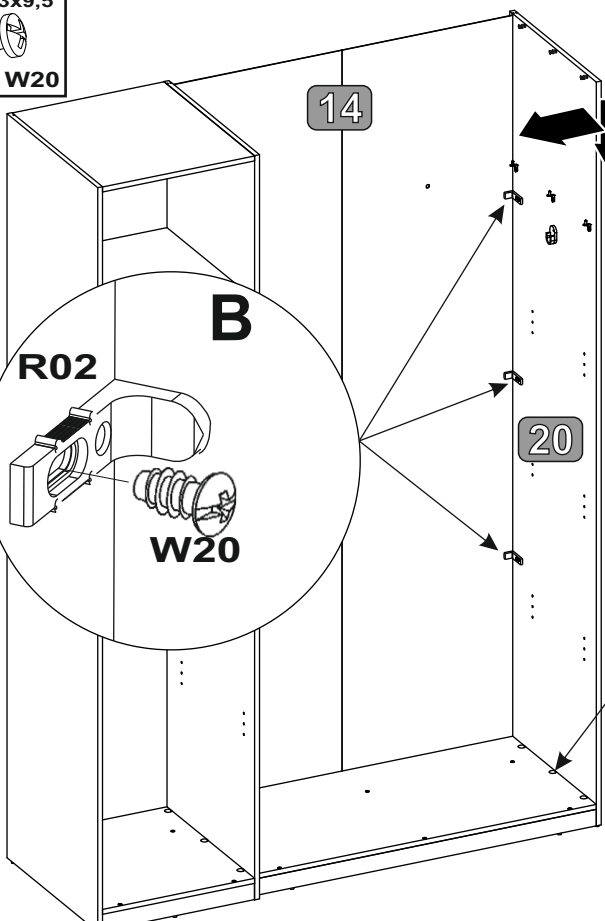
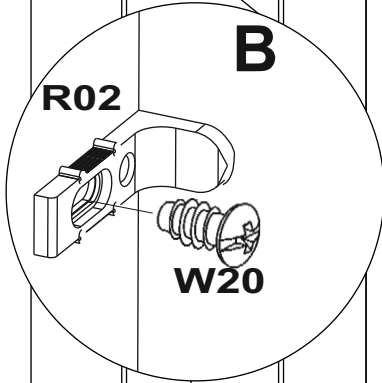
2x	S01	6x	T04	3 x	E09	3x	W10	2x	Z04	2x	Z21
----	-----	----	-----	-----	-----	----	-----	----	-----	----	-----



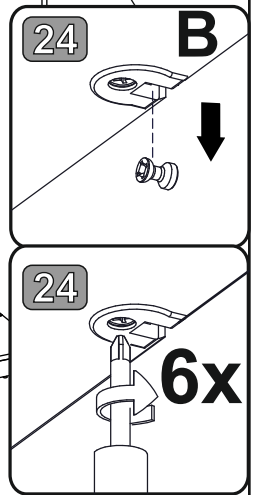
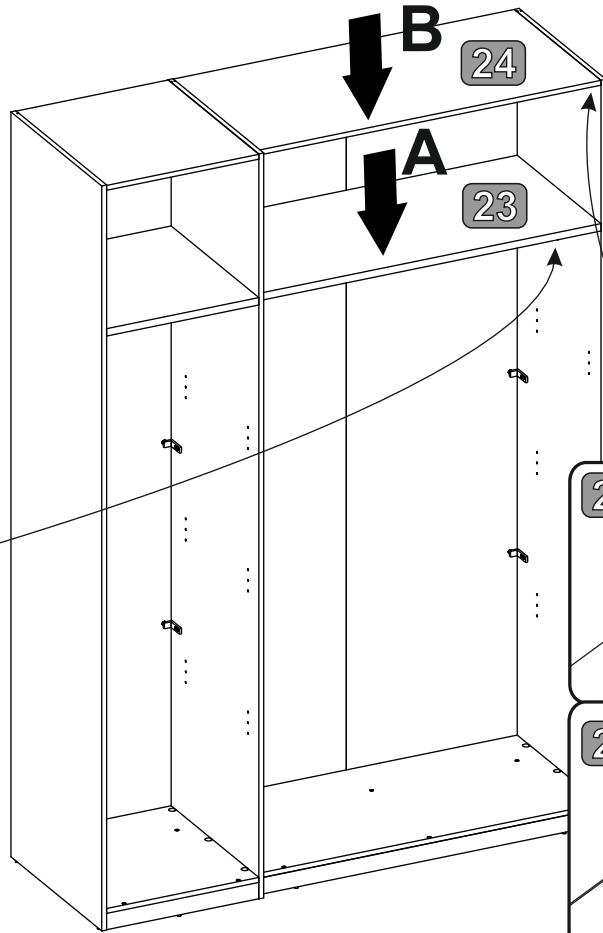
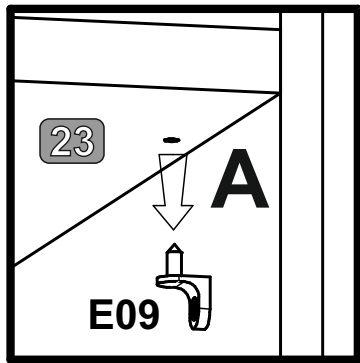
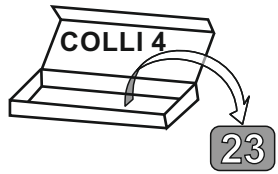
12



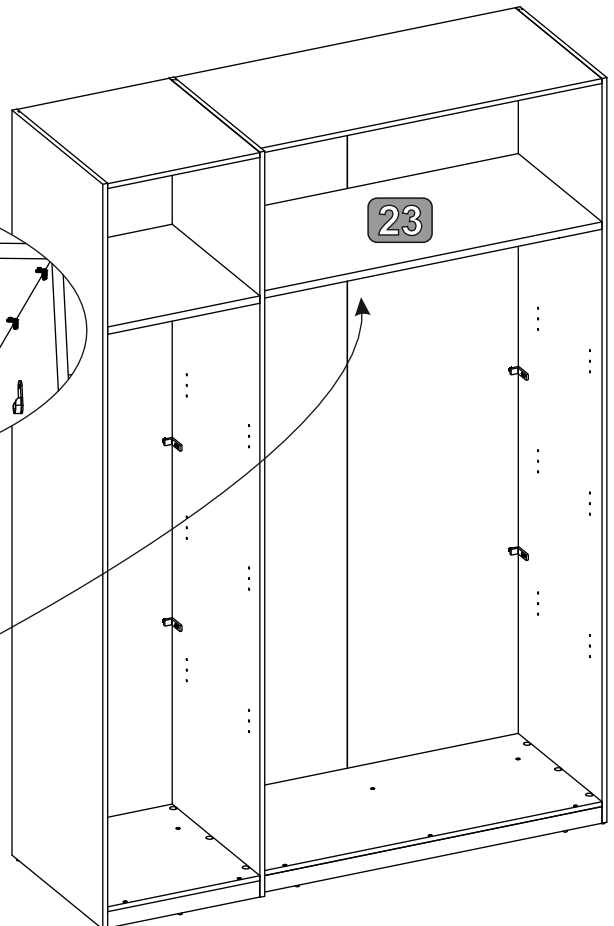
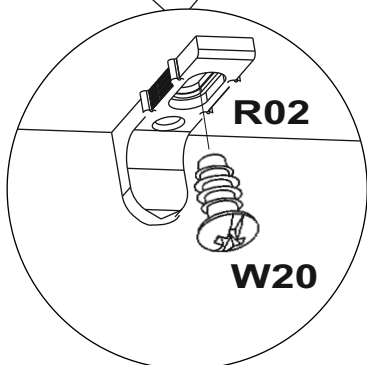
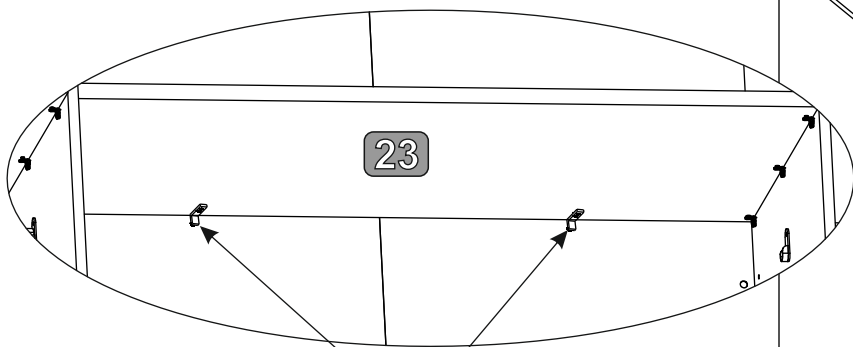
13



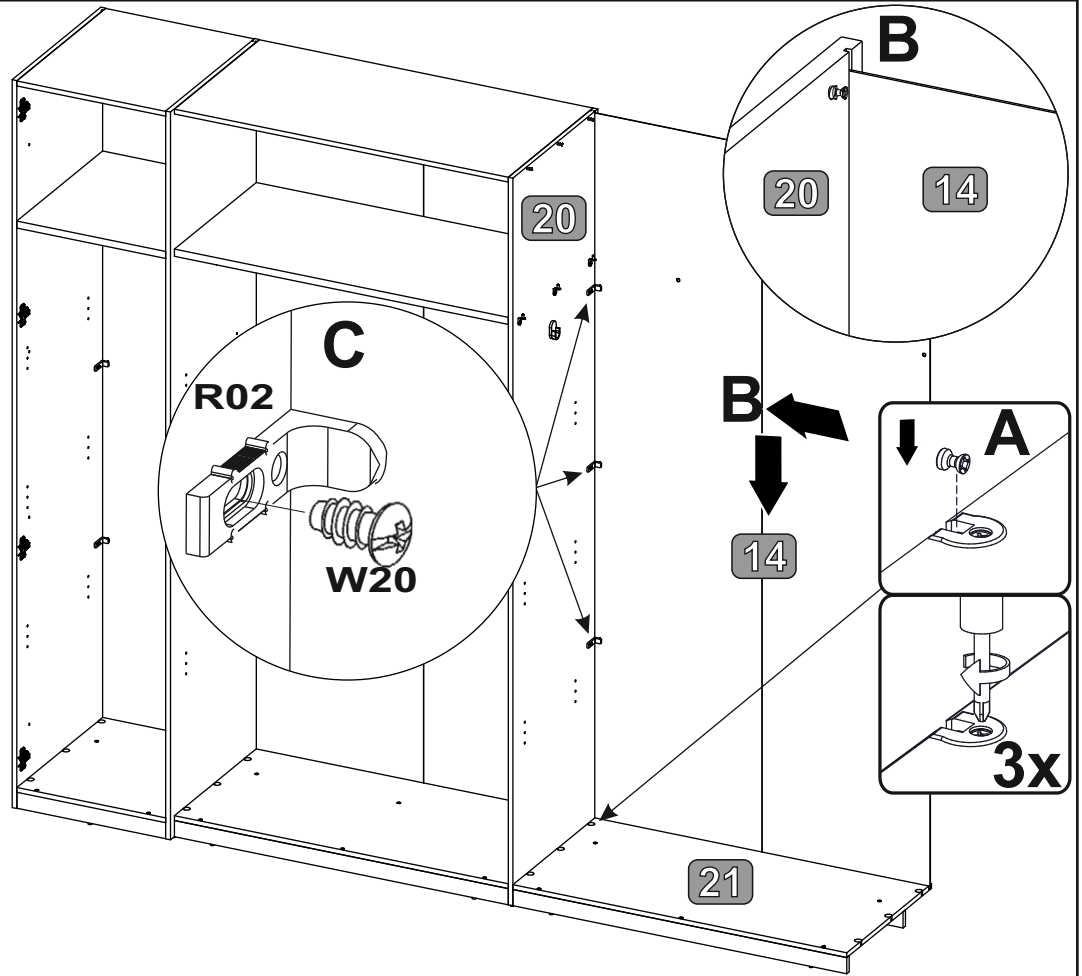
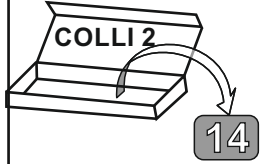
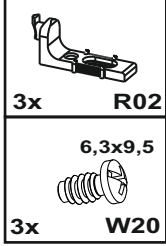
14



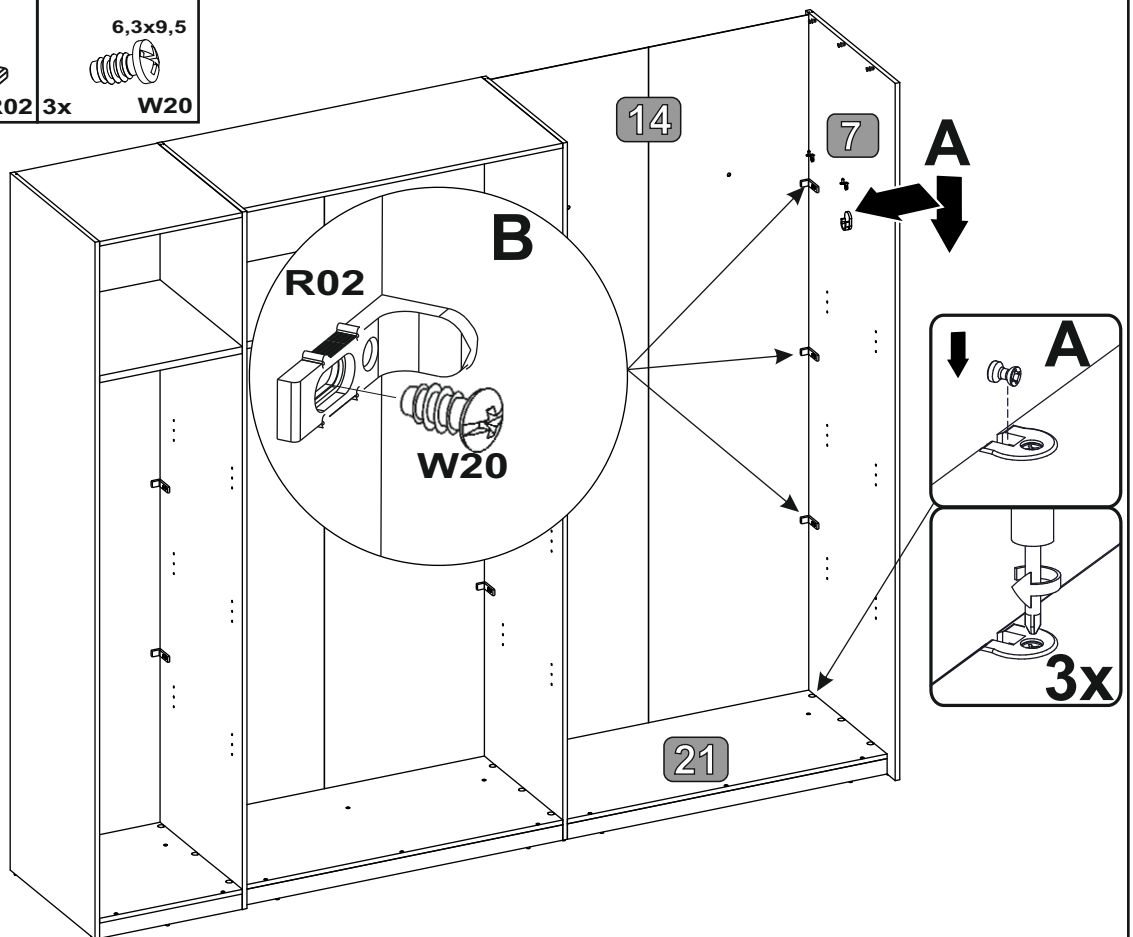
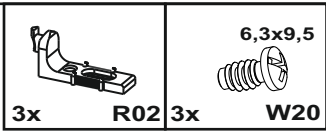
15



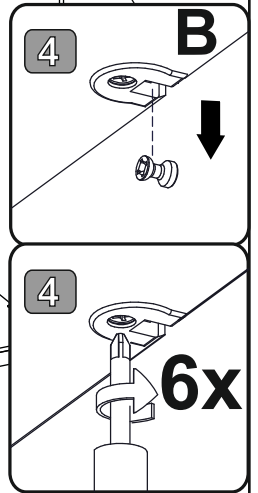
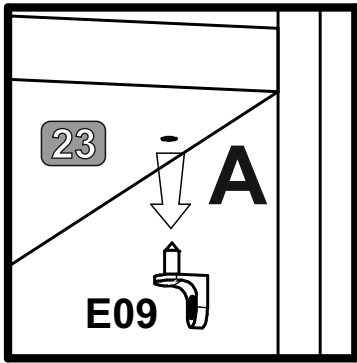
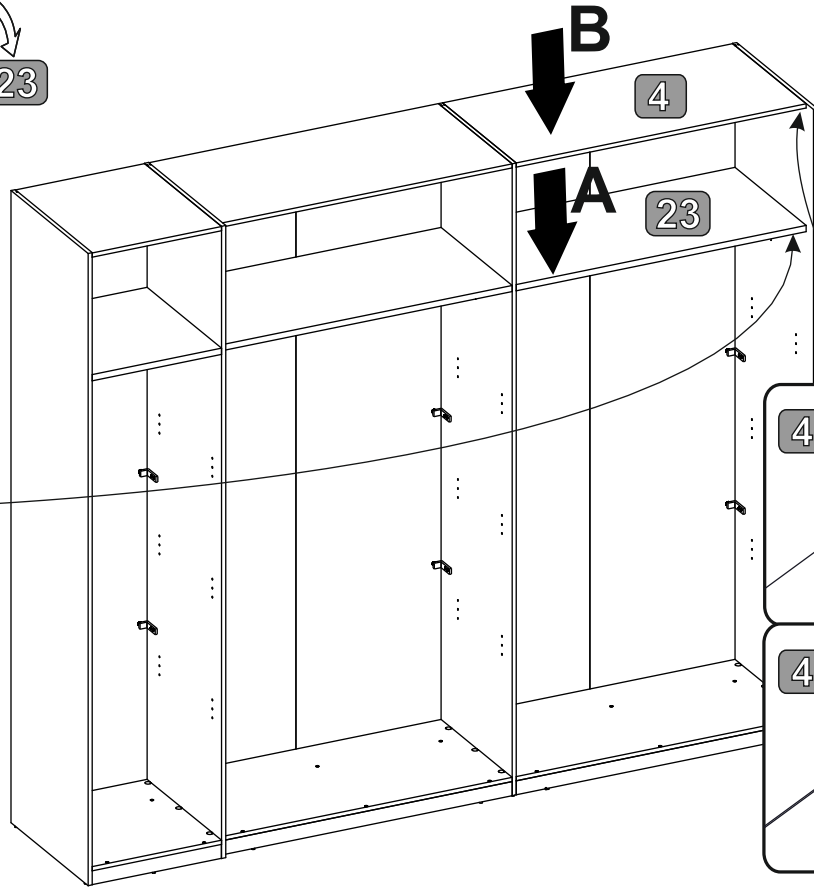
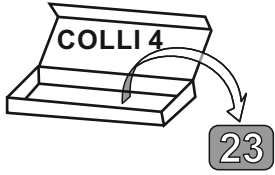
16



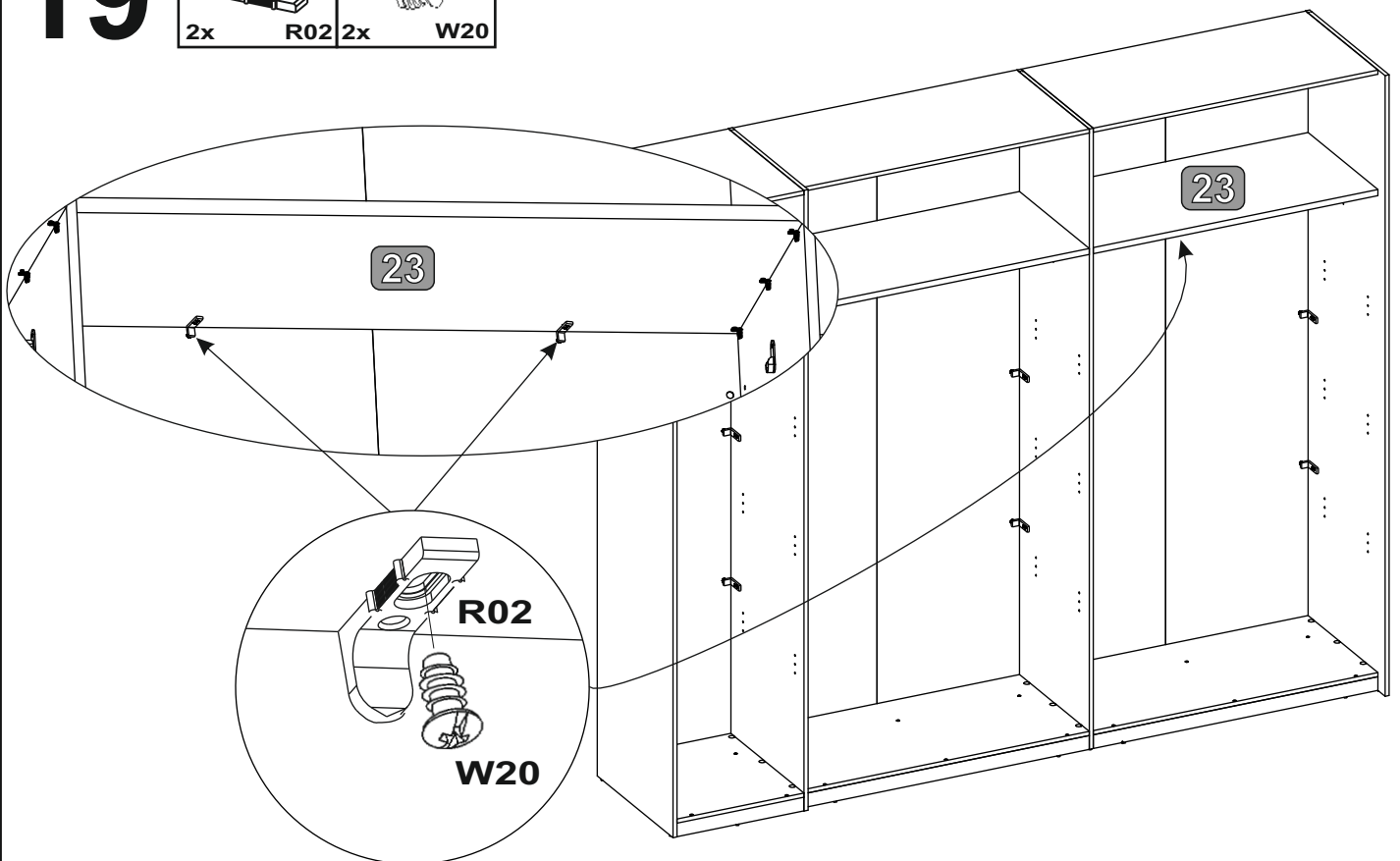
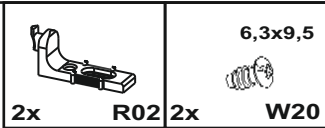
17



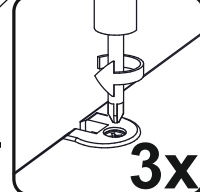
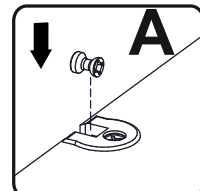
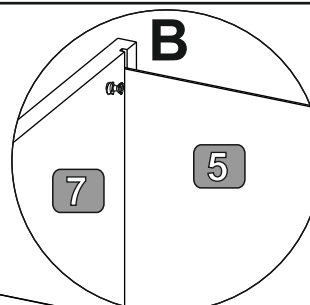
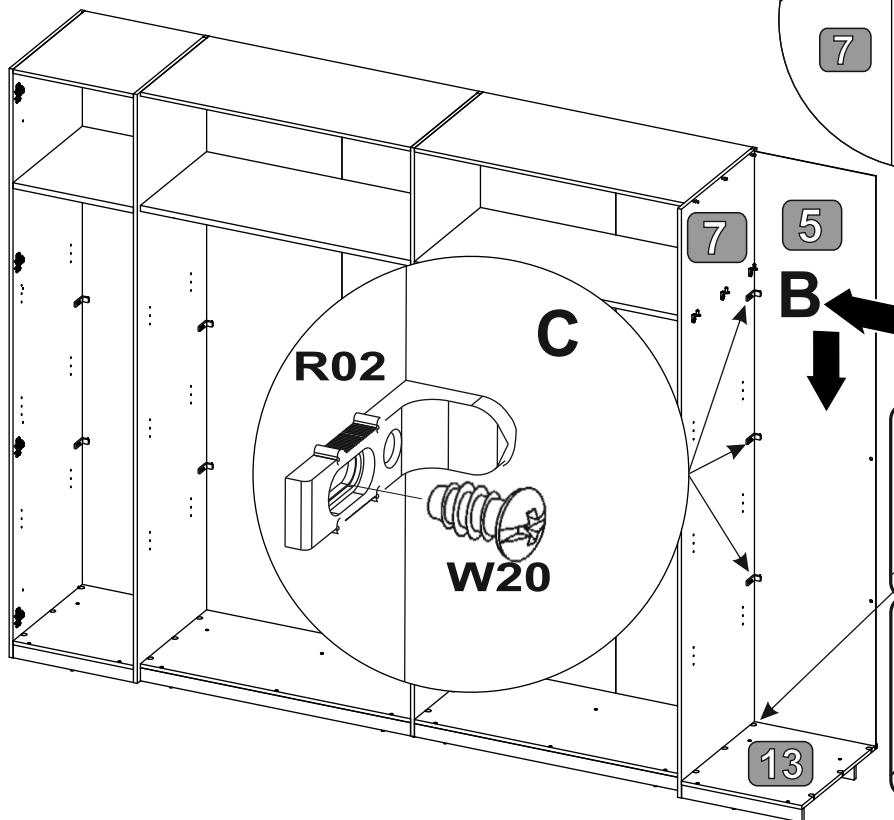
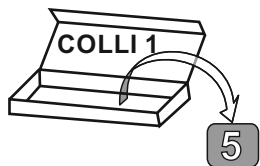
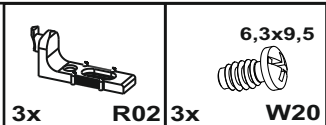
18



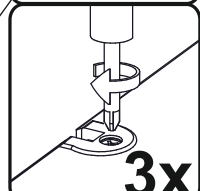
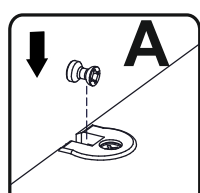
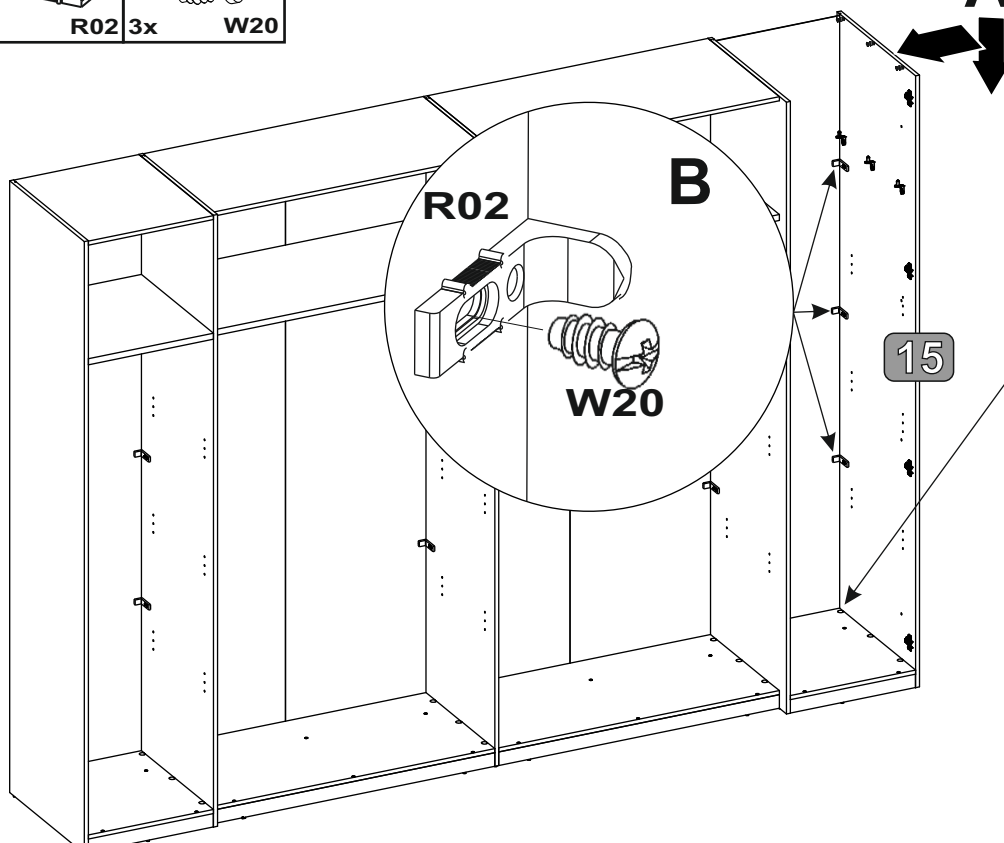
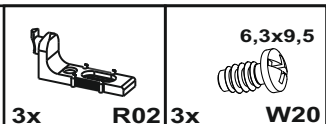
19



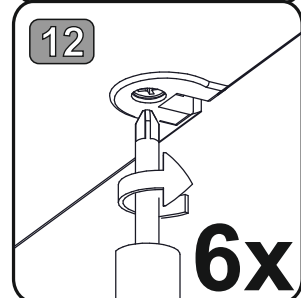
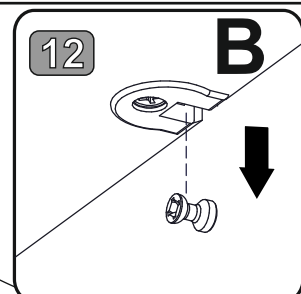
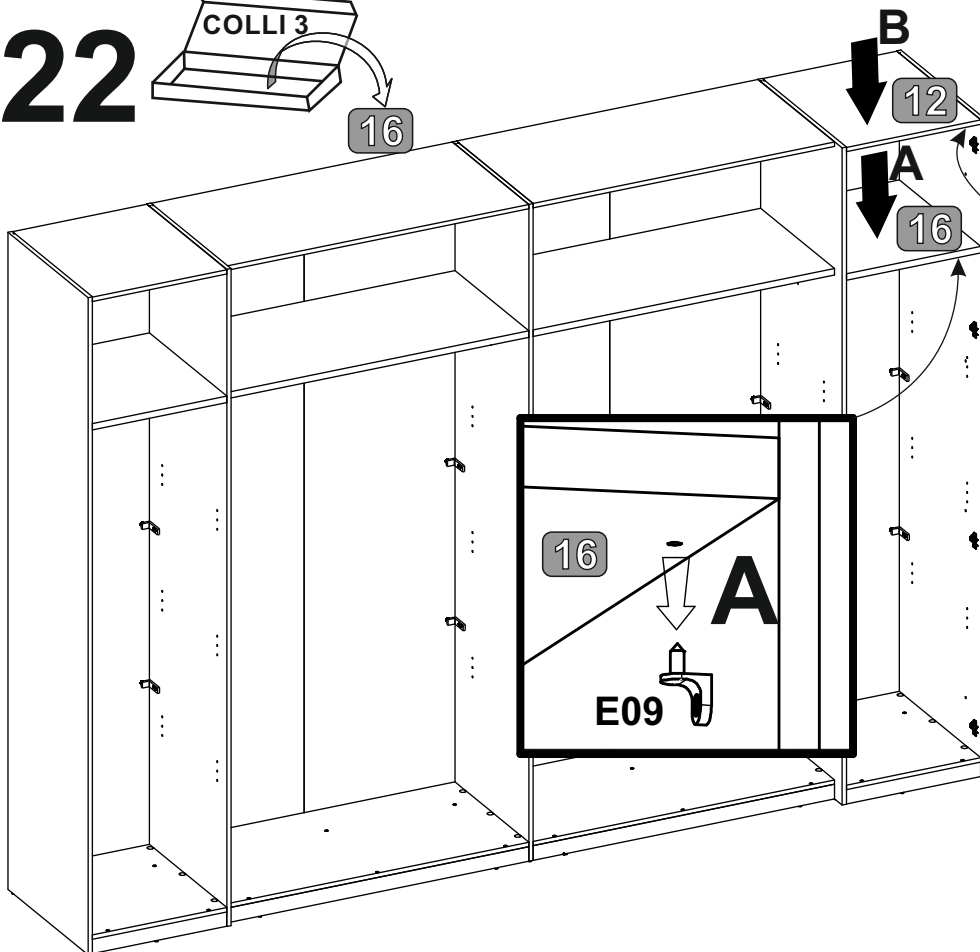
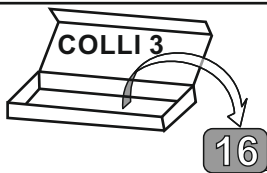
20



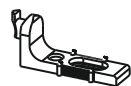
21



22



23

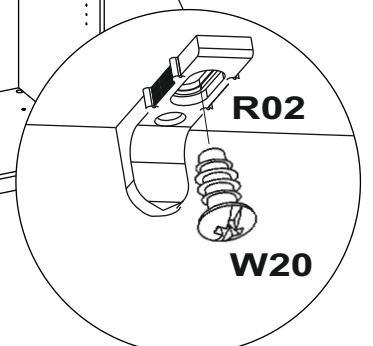
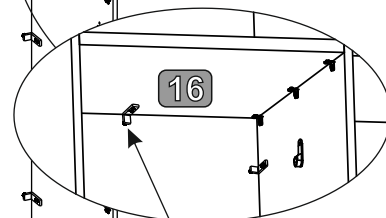
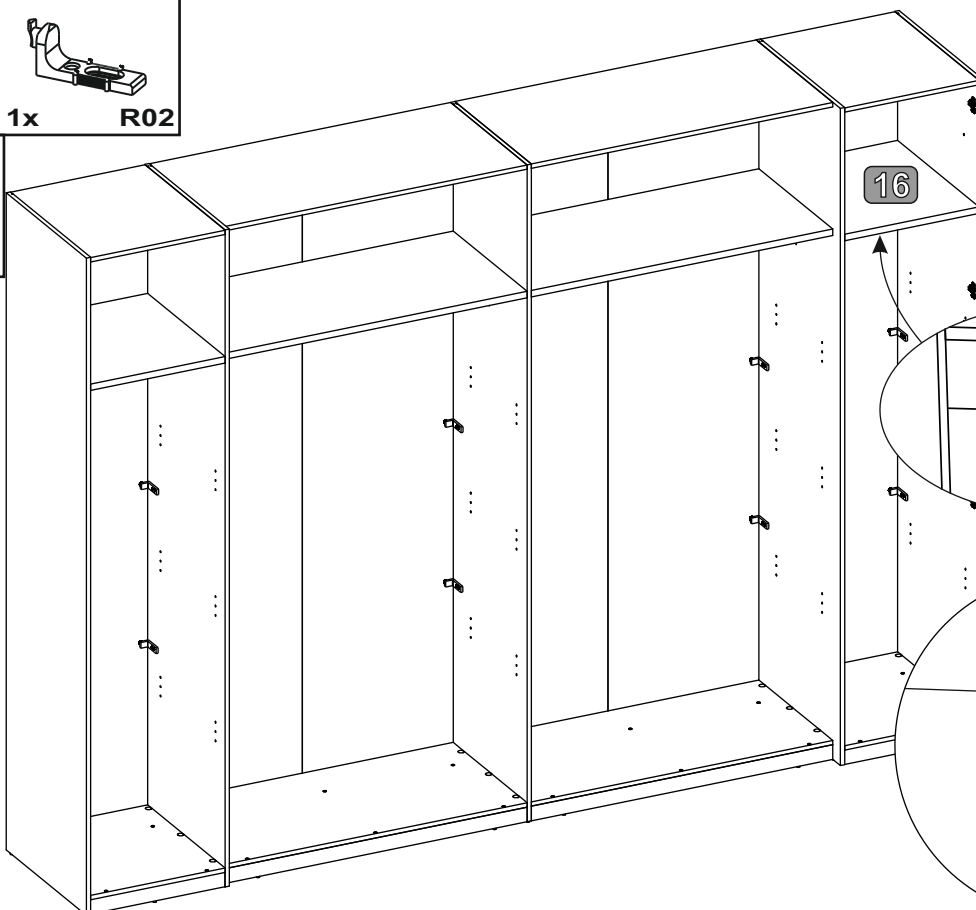


1x R02

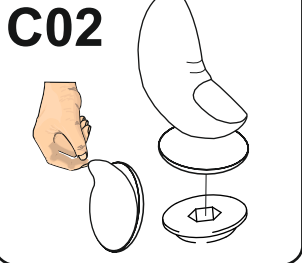
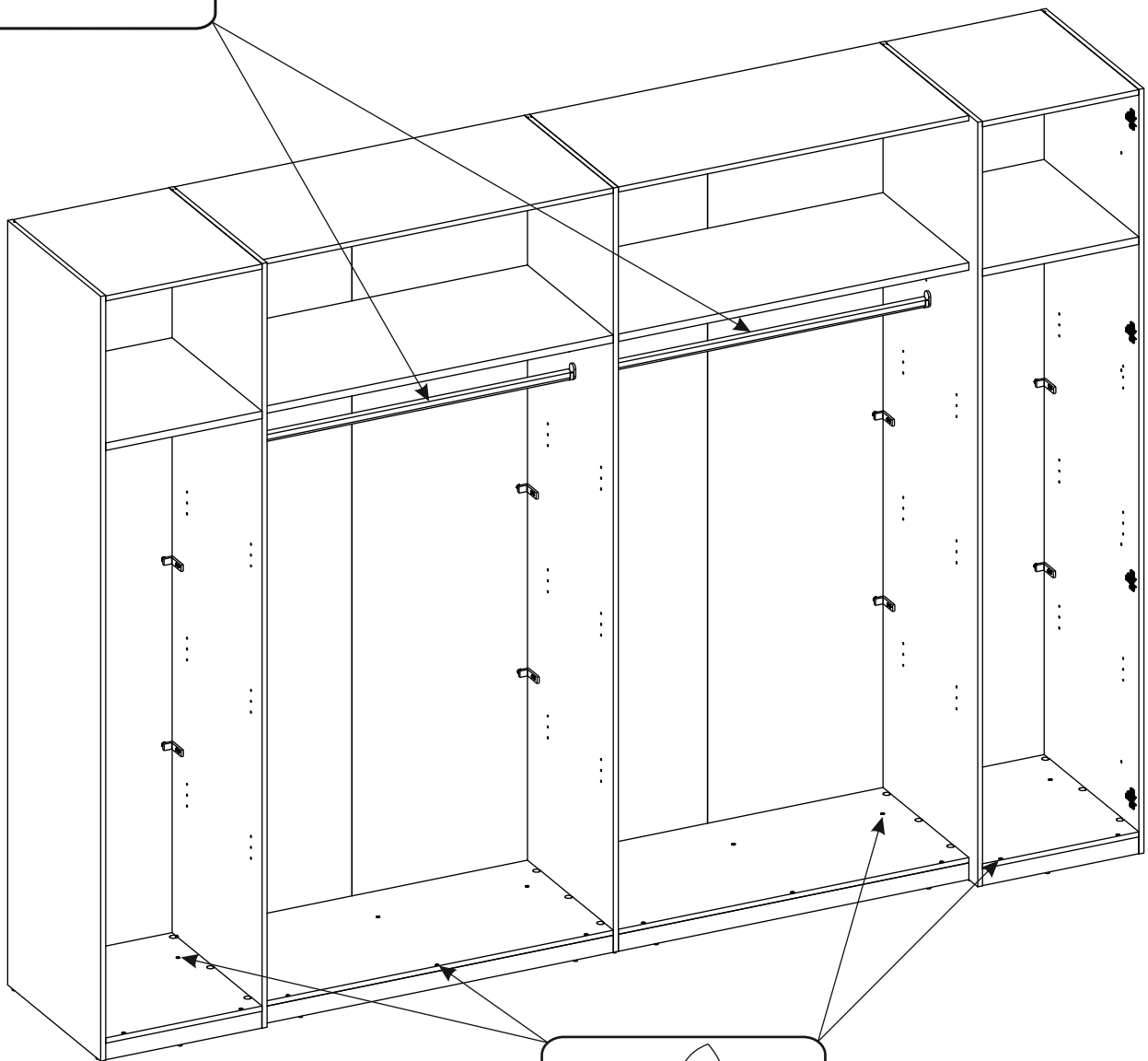
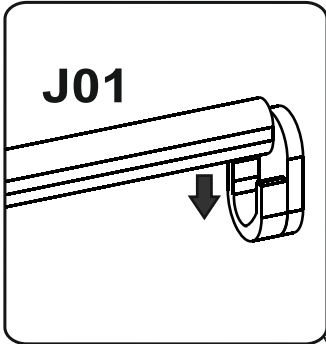
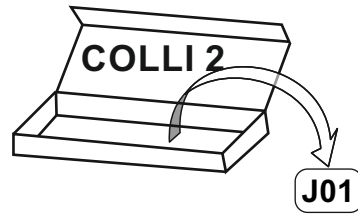
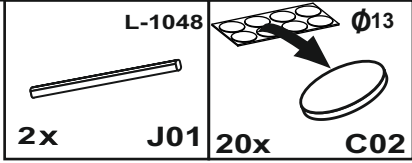
6,3x9,5




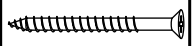



1x W20

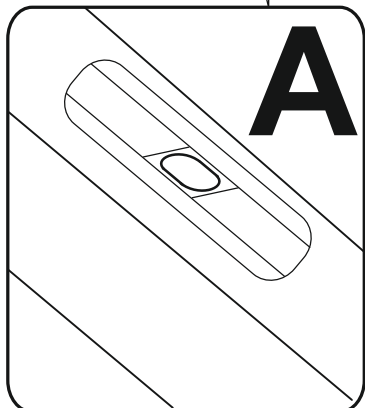
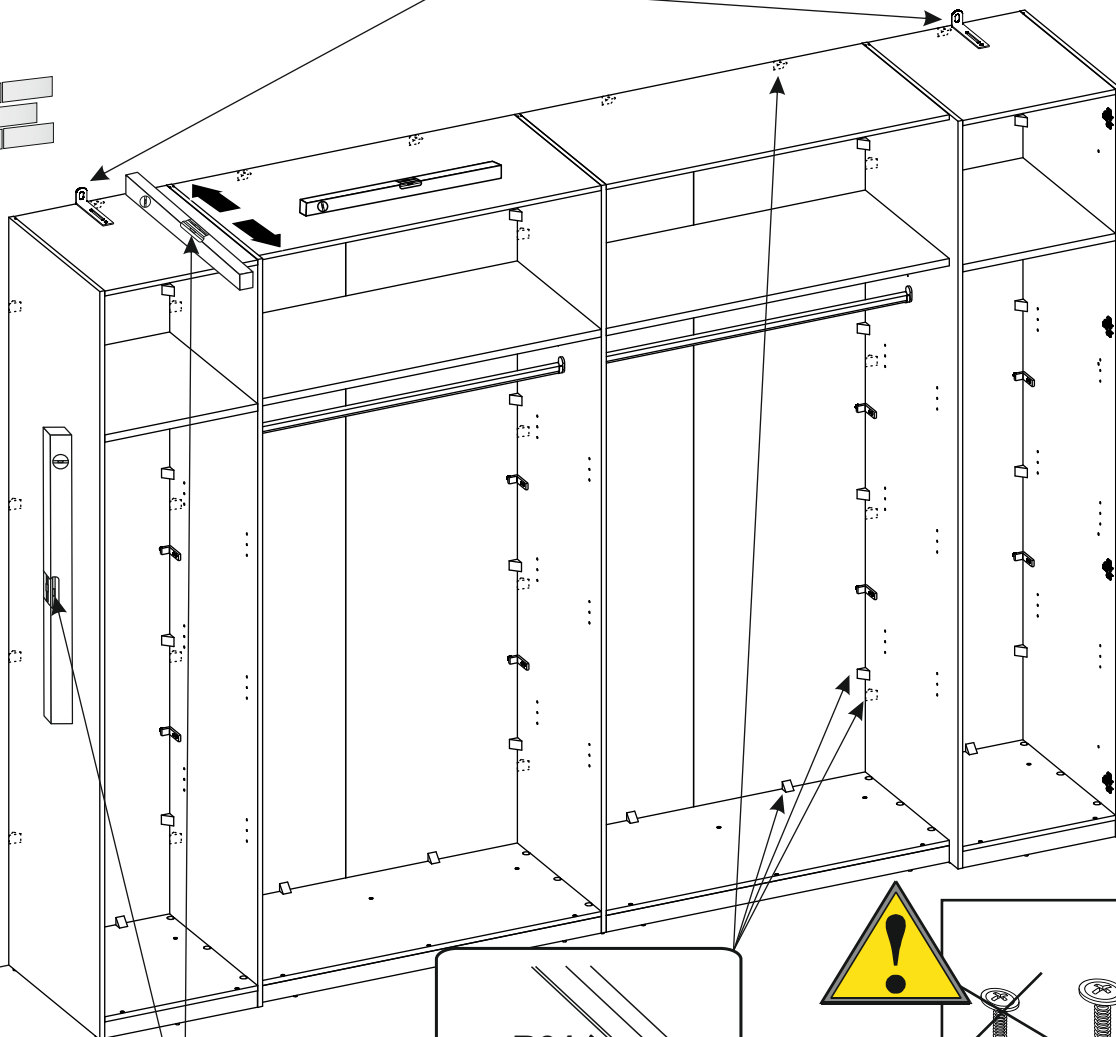
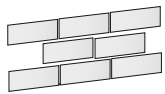
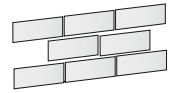
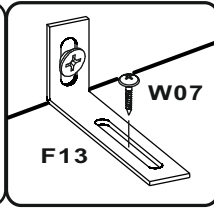
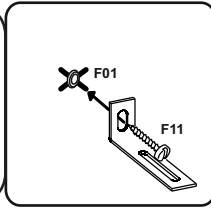
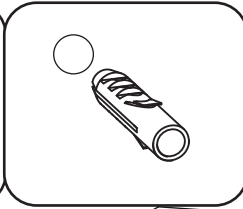
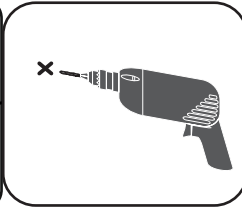
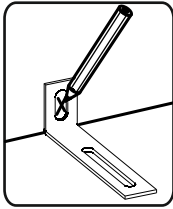


24

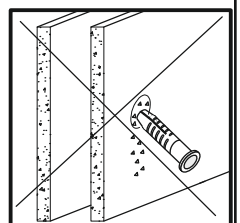
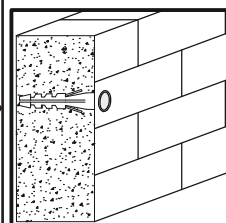
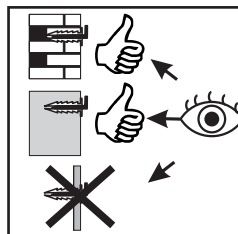
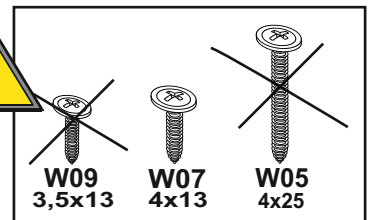
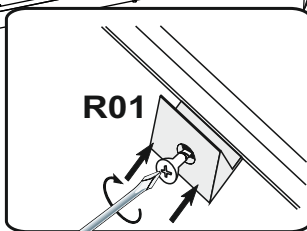


25

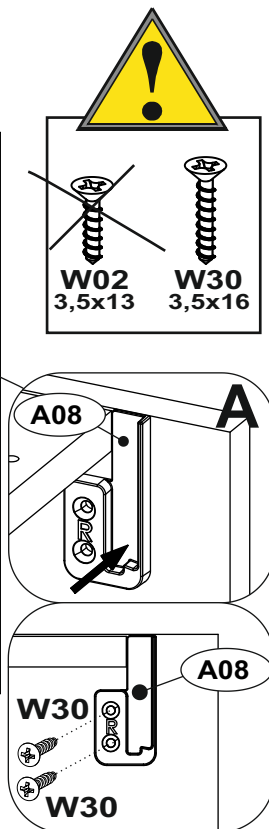
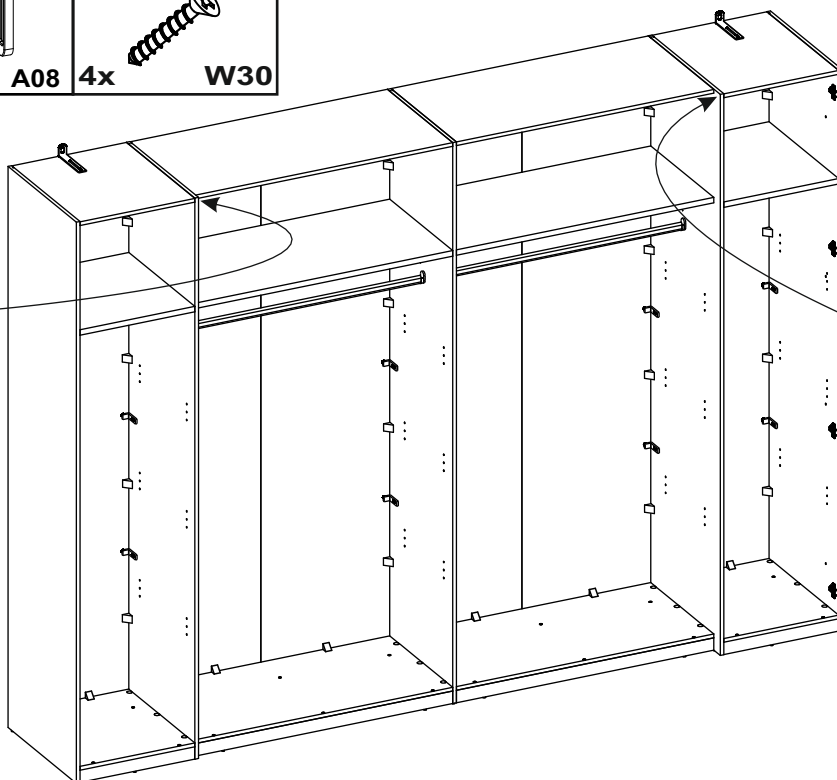
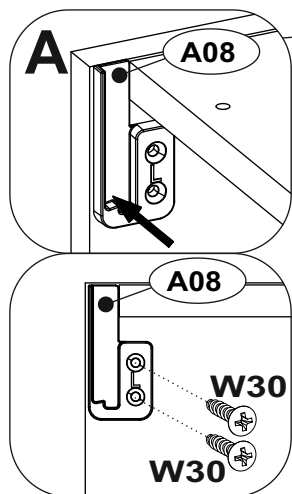
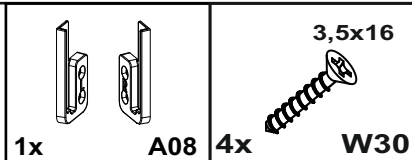
- | | | | | |
|---|---|---|---|---|
|  |  |  |  |  |
| 2x F01 | 2x F11 | 2x F13 | 4x13 W07 | 44x R01 |



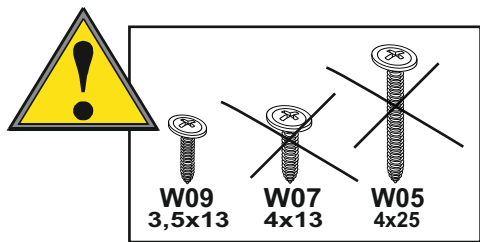
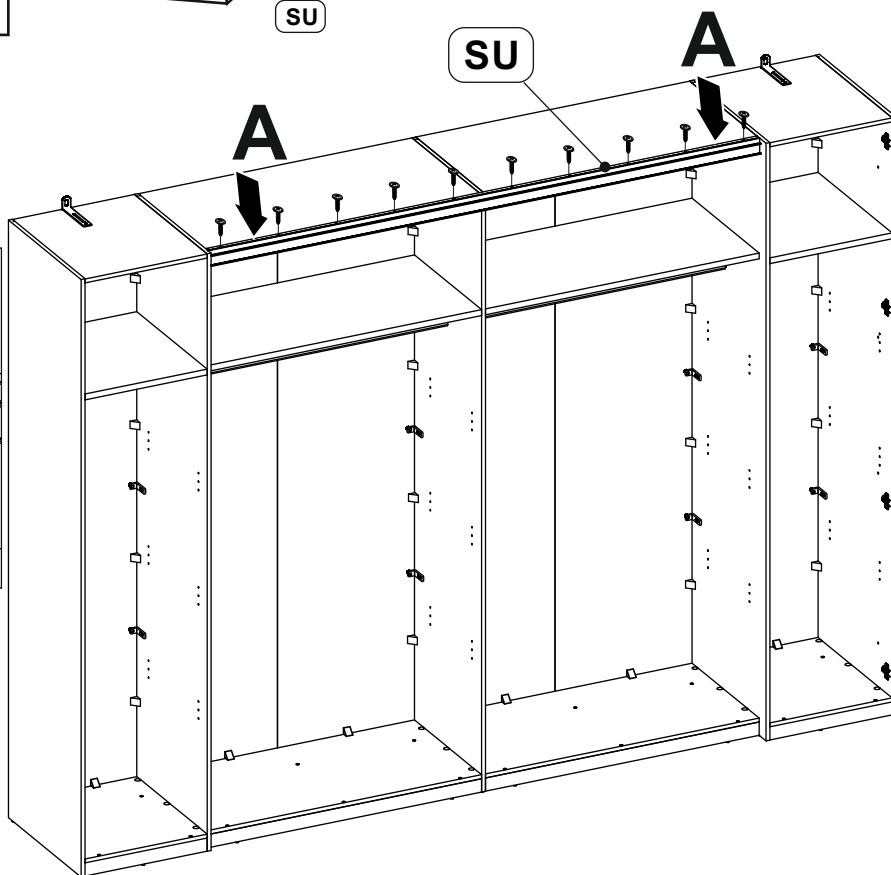
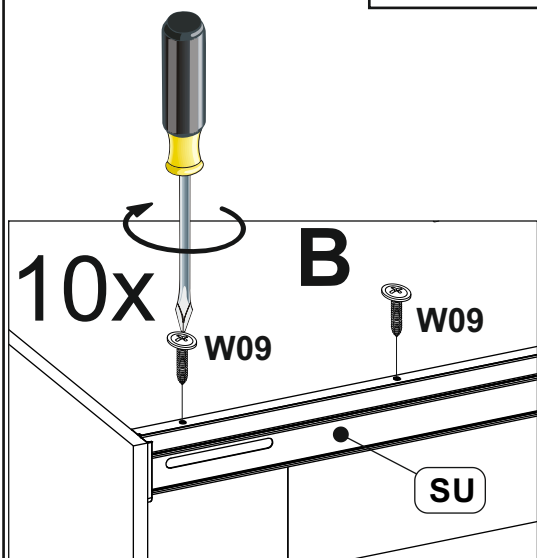
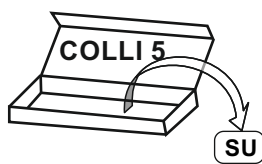
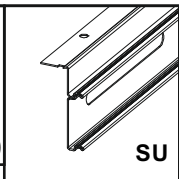
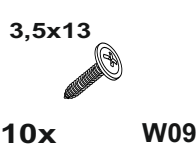
44x



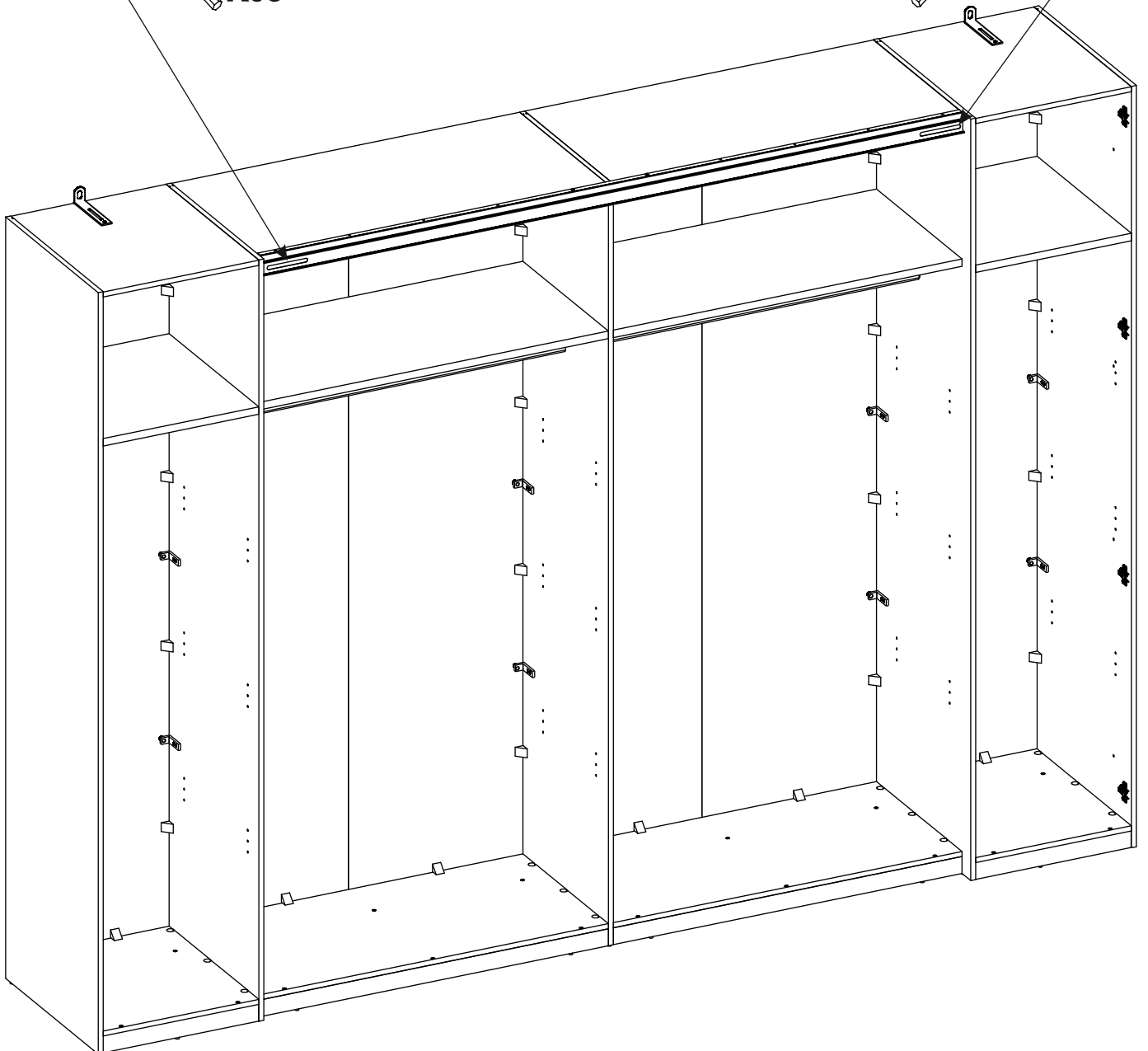
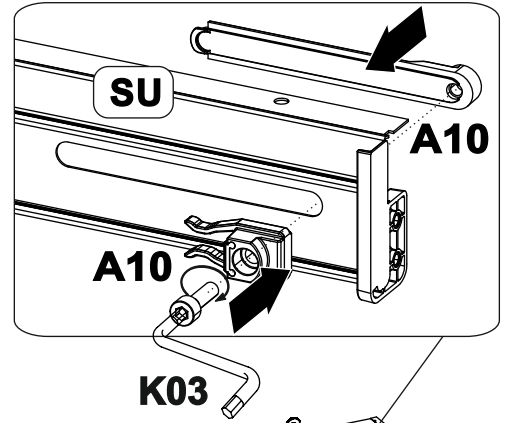
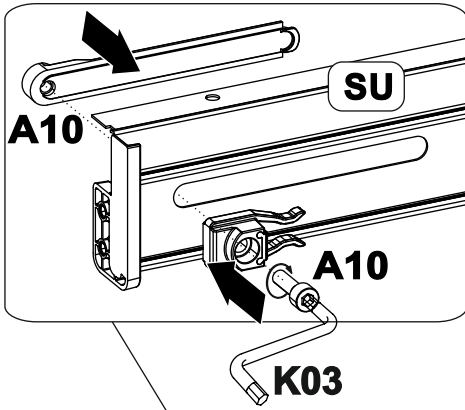
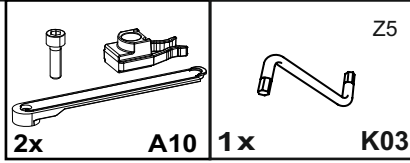
26



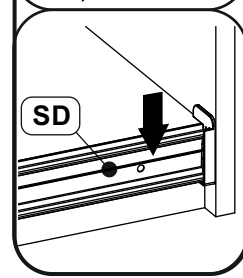
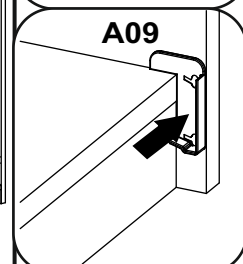
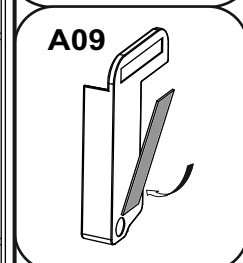
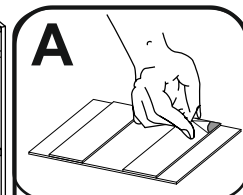
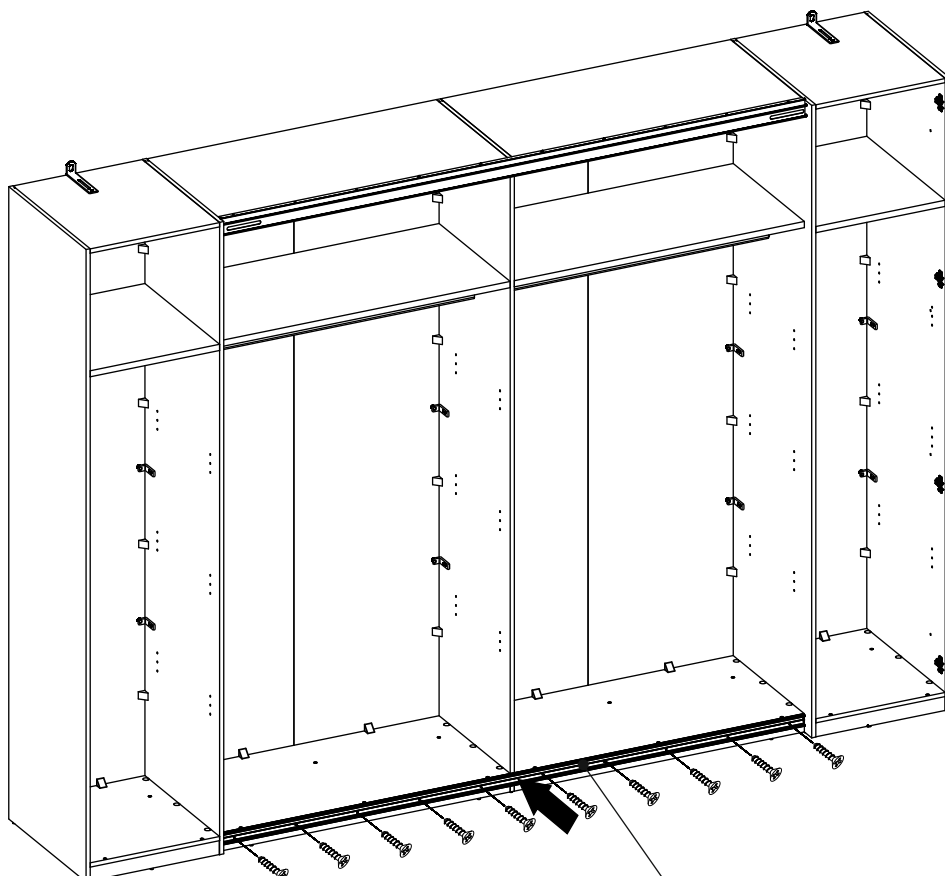
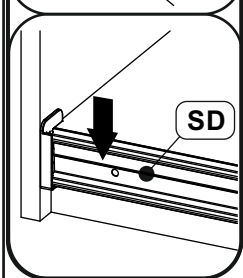
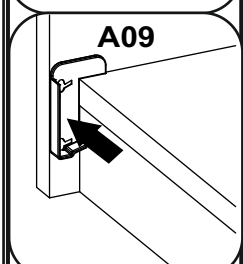
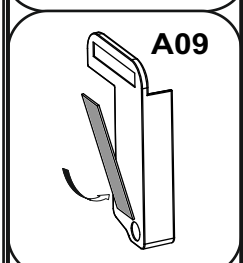
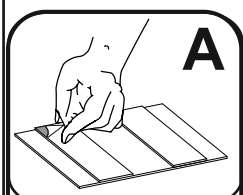
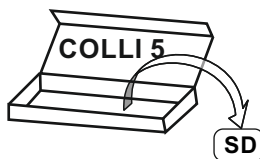
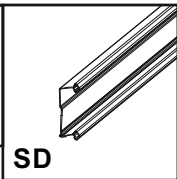
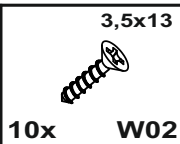
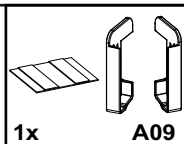
27



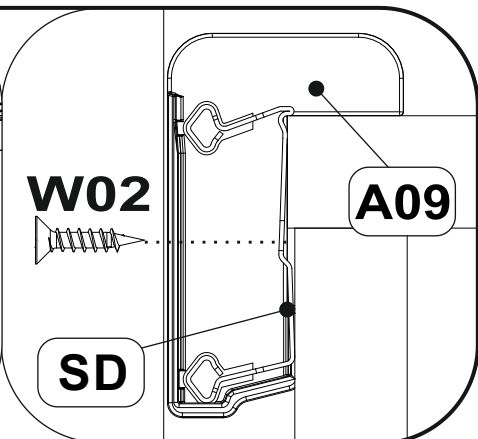
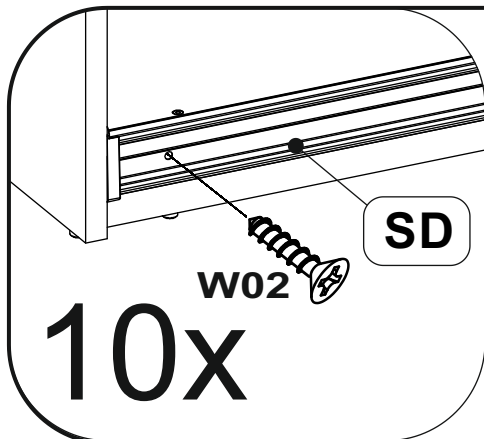
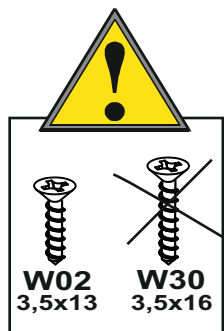
28



29



B

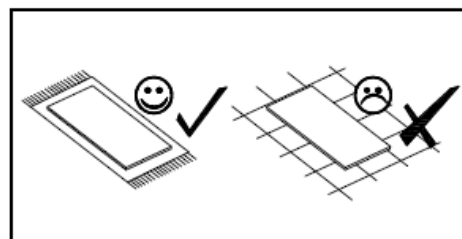
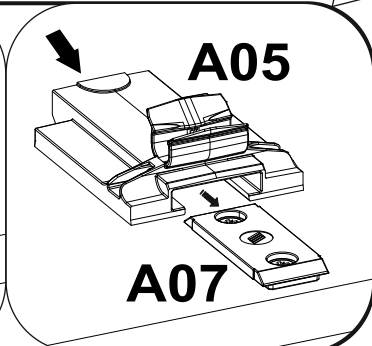
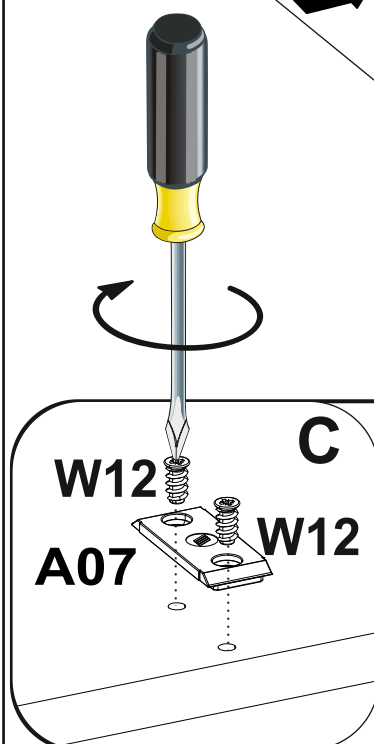
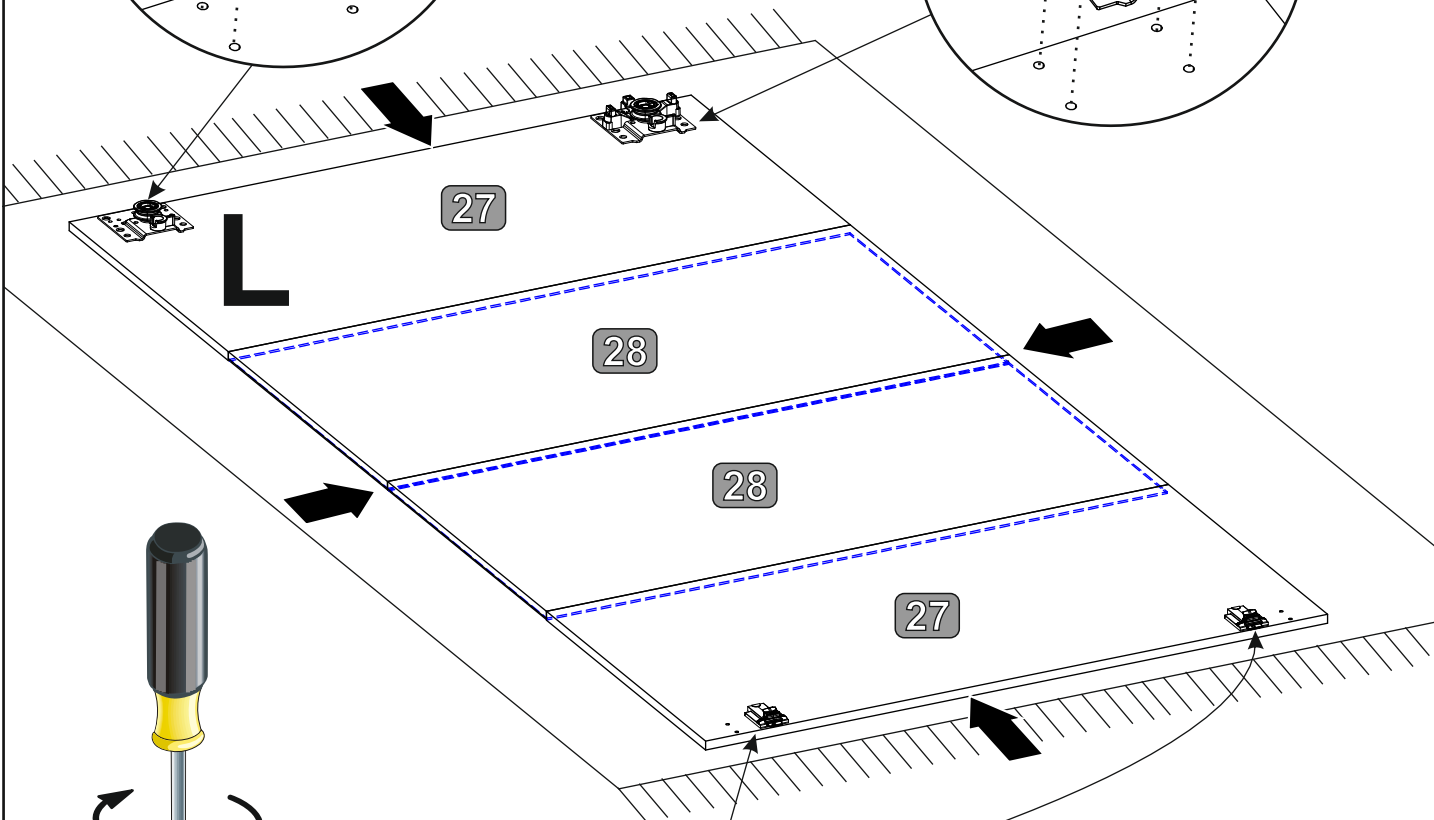
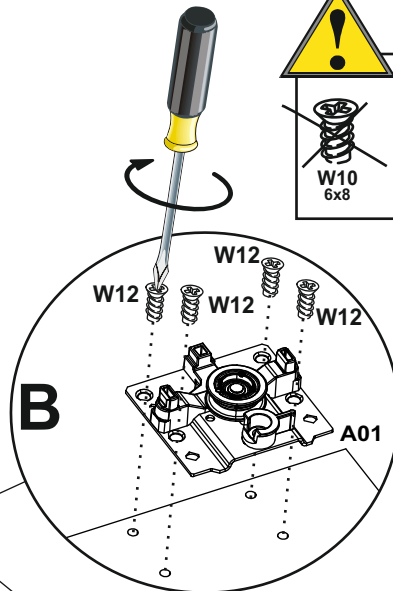
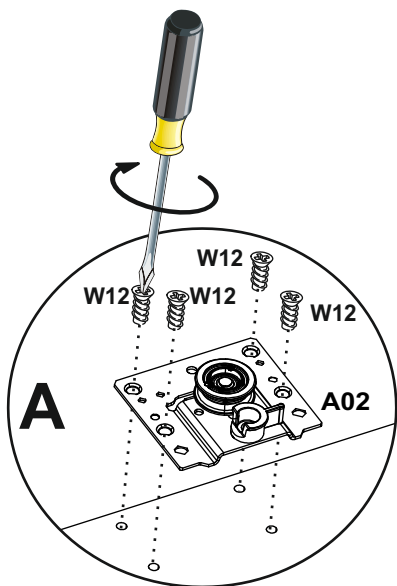


30

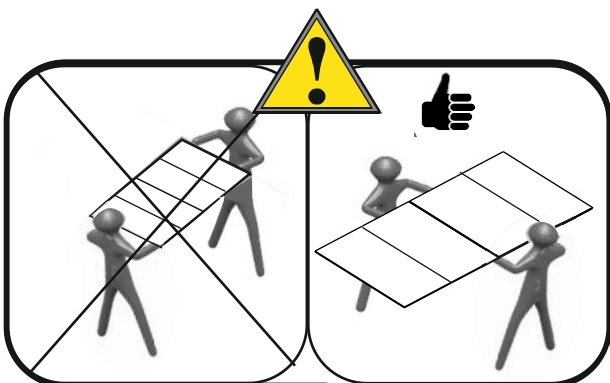
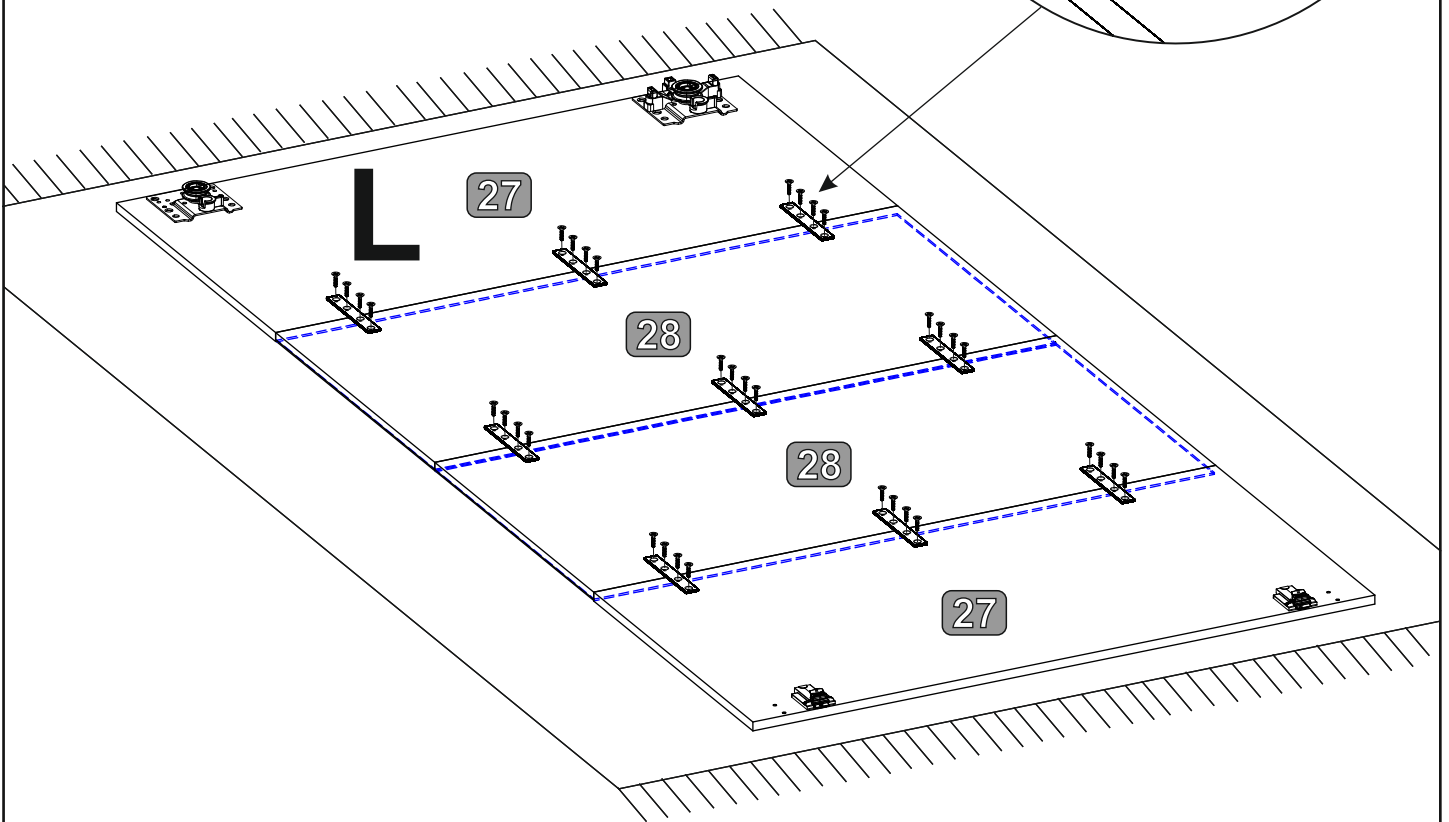
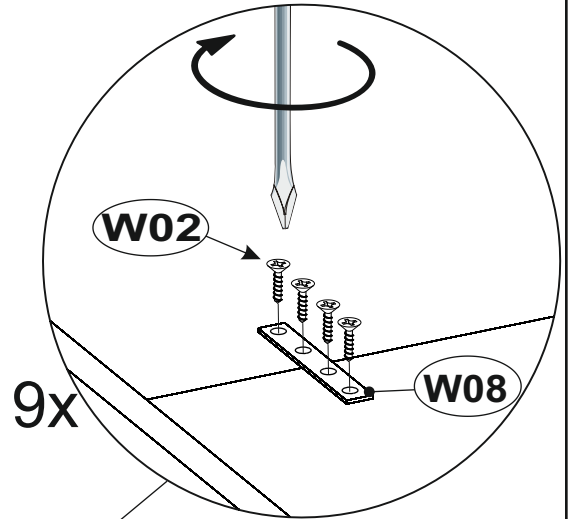
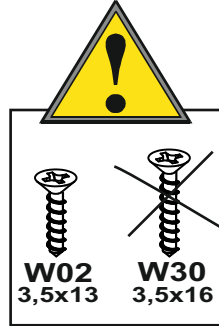
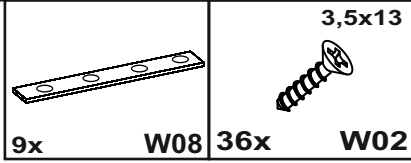
- 2x A07
- 2x A05
- 12x W12 (6x11)
- 1x A01
- 1x A02



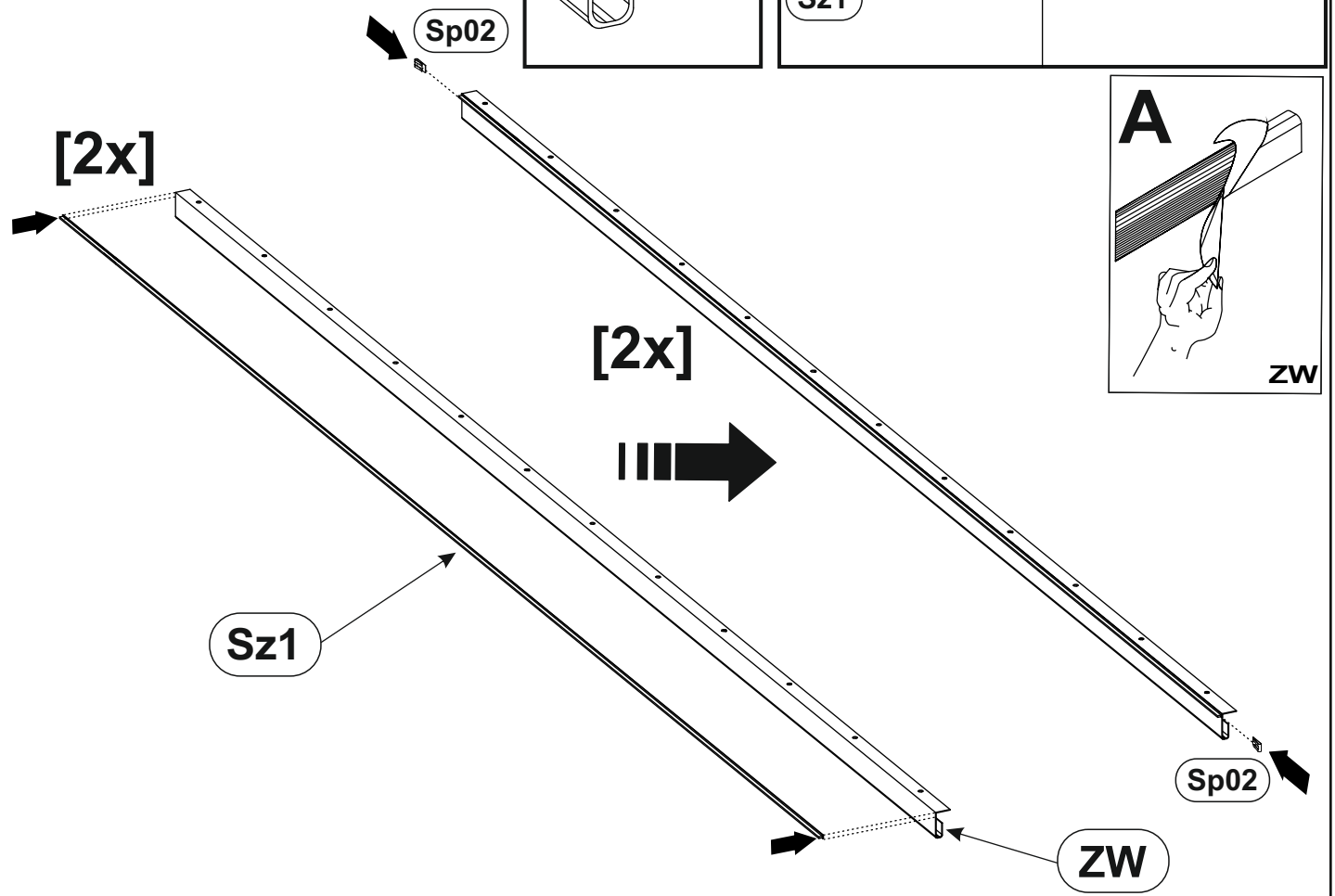
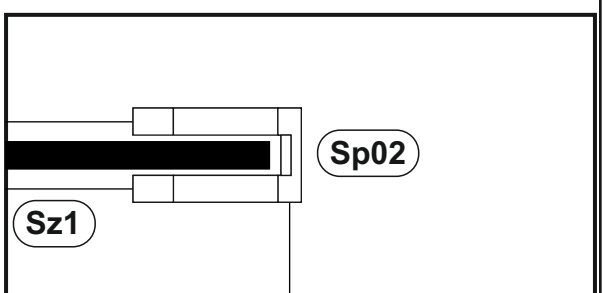
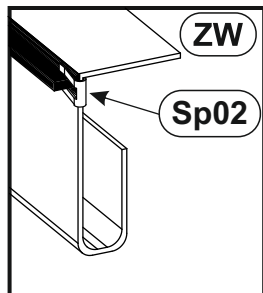
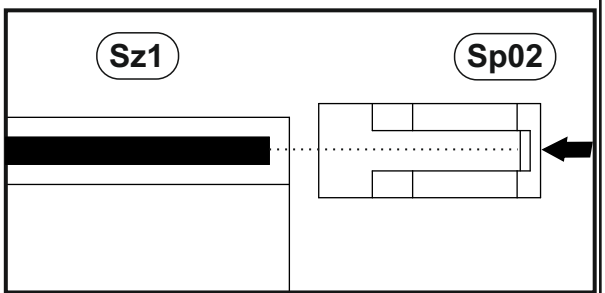
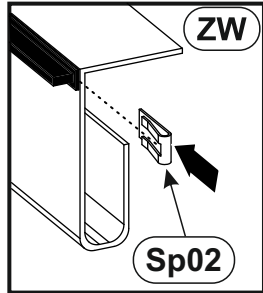
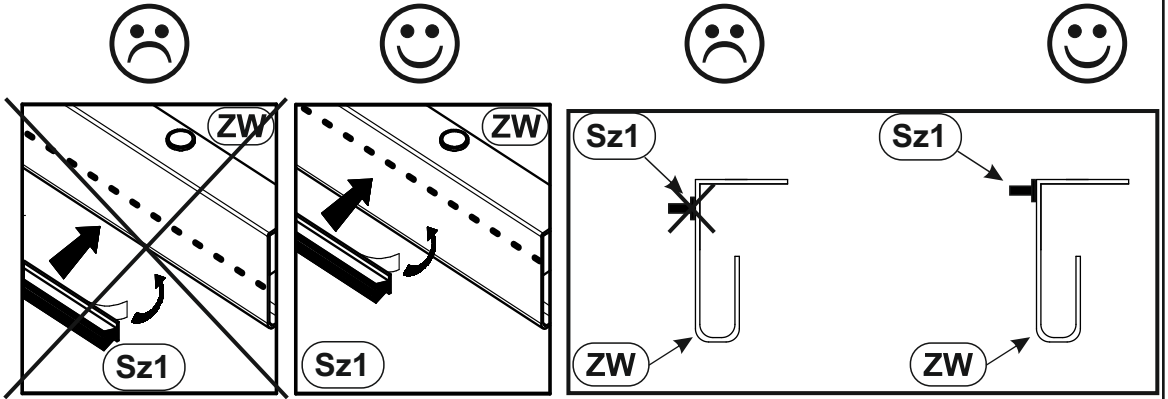
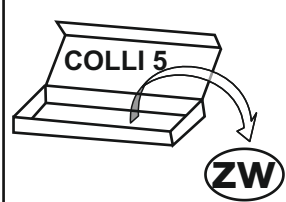
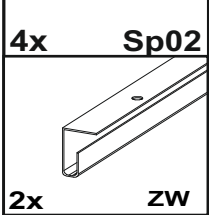
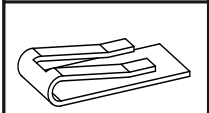
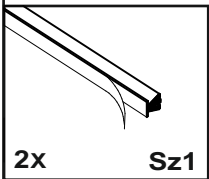
27 28



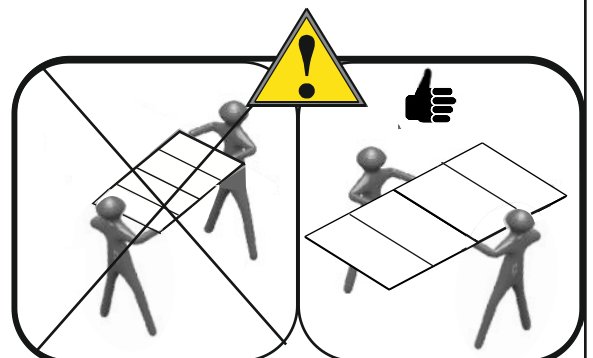
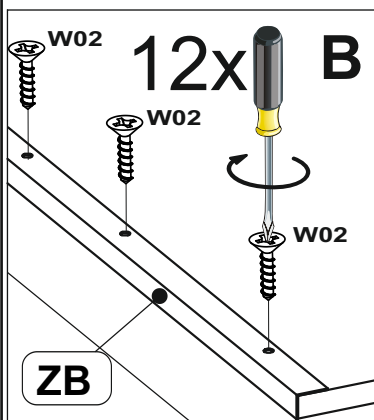
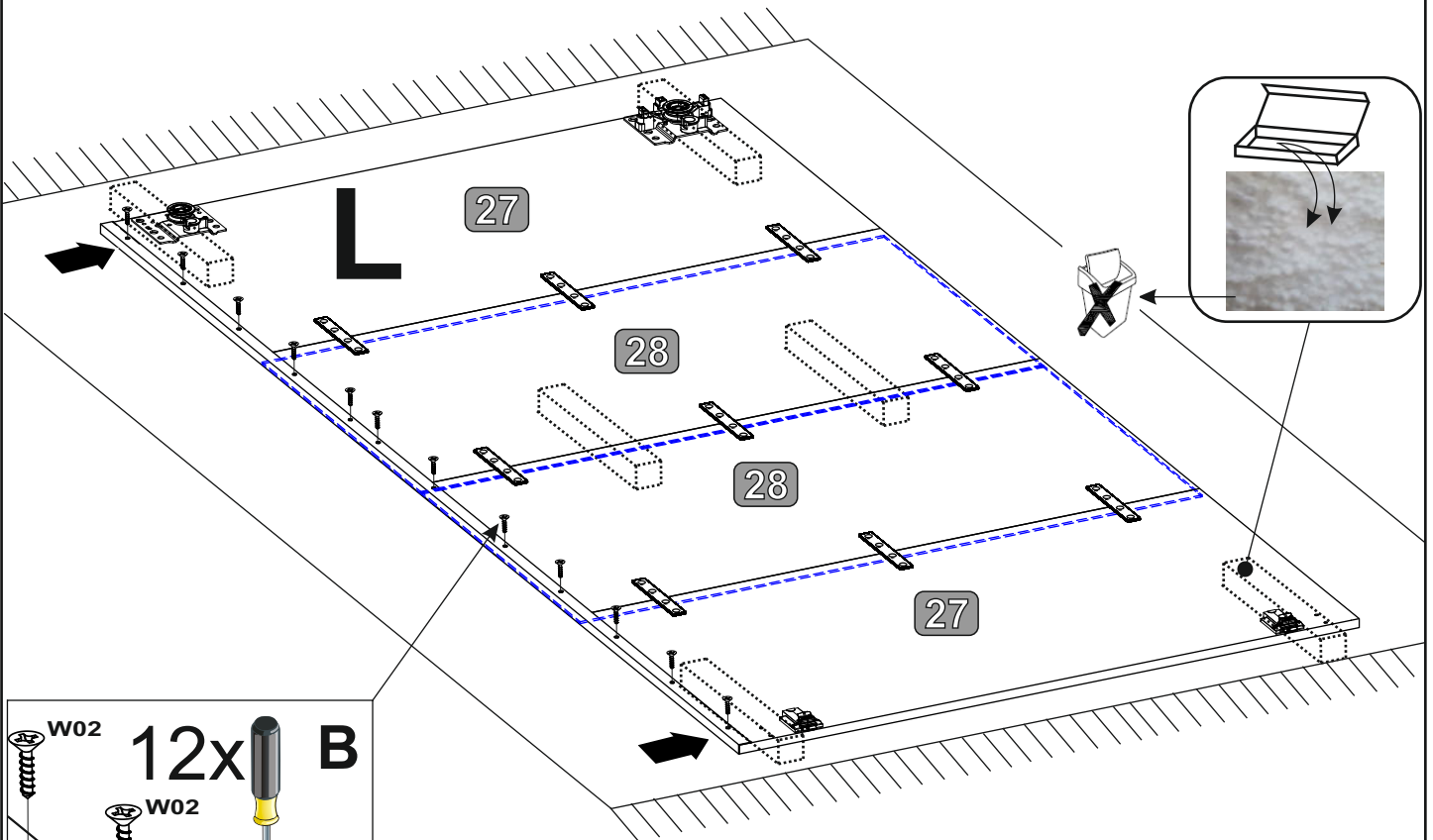
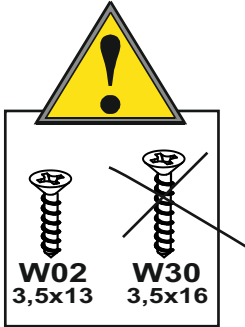
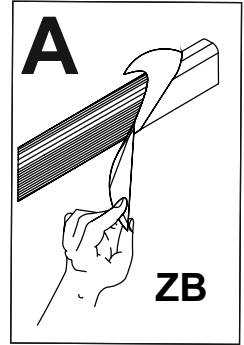
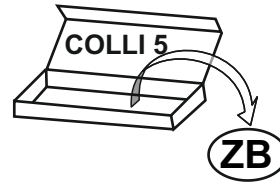
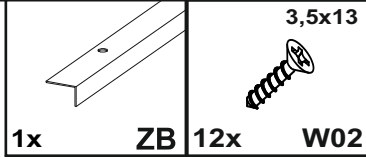
31



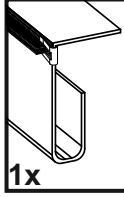
32



33



34



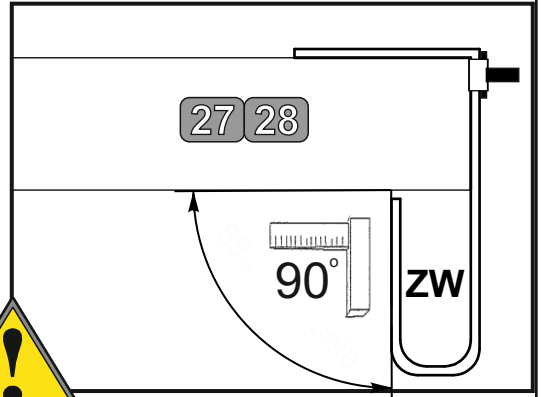
ZW

12x

3,5x13



W02



W02 3,5x13

~~W30 3,5x16~~



12x

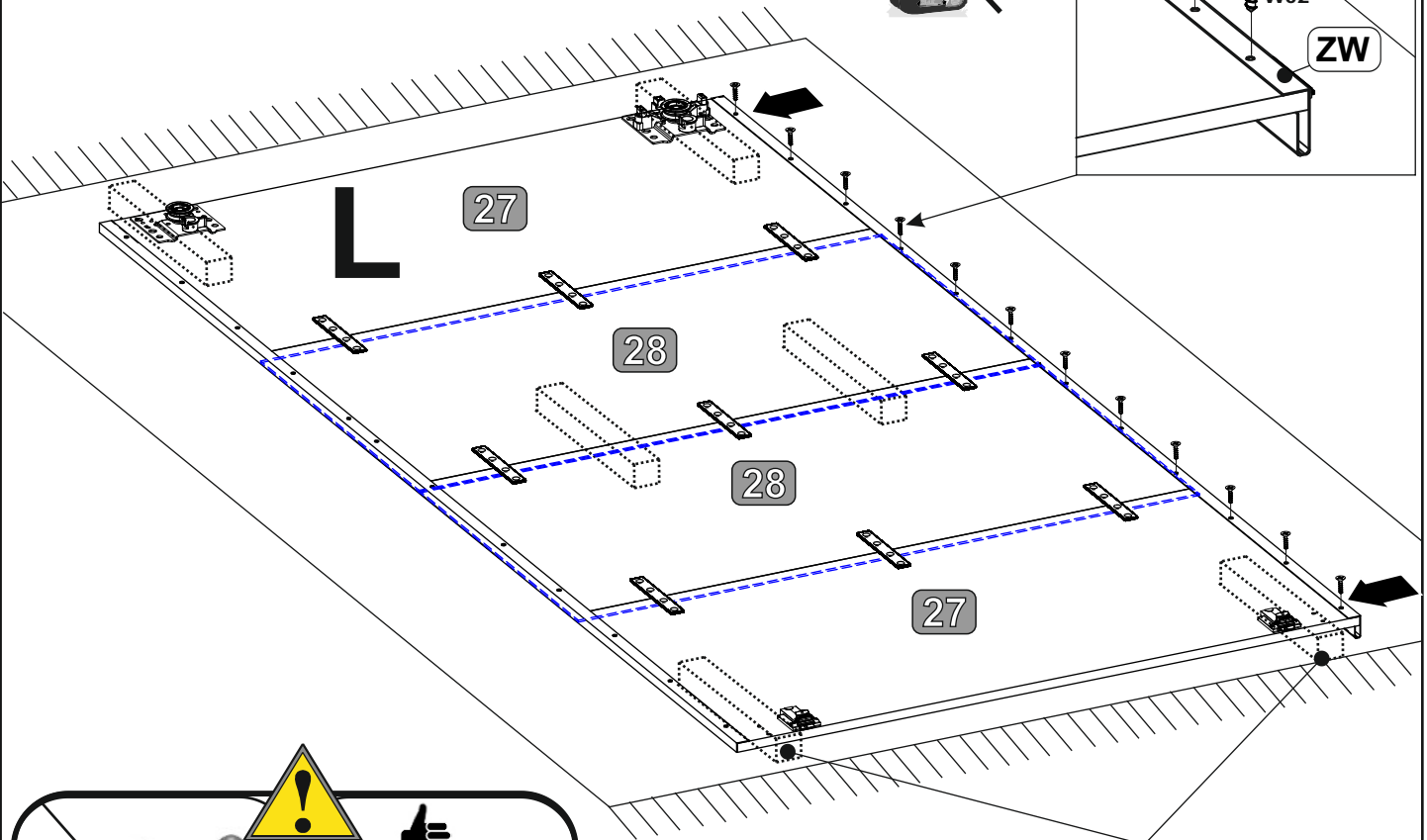
W02

W02

W02

ZW

B



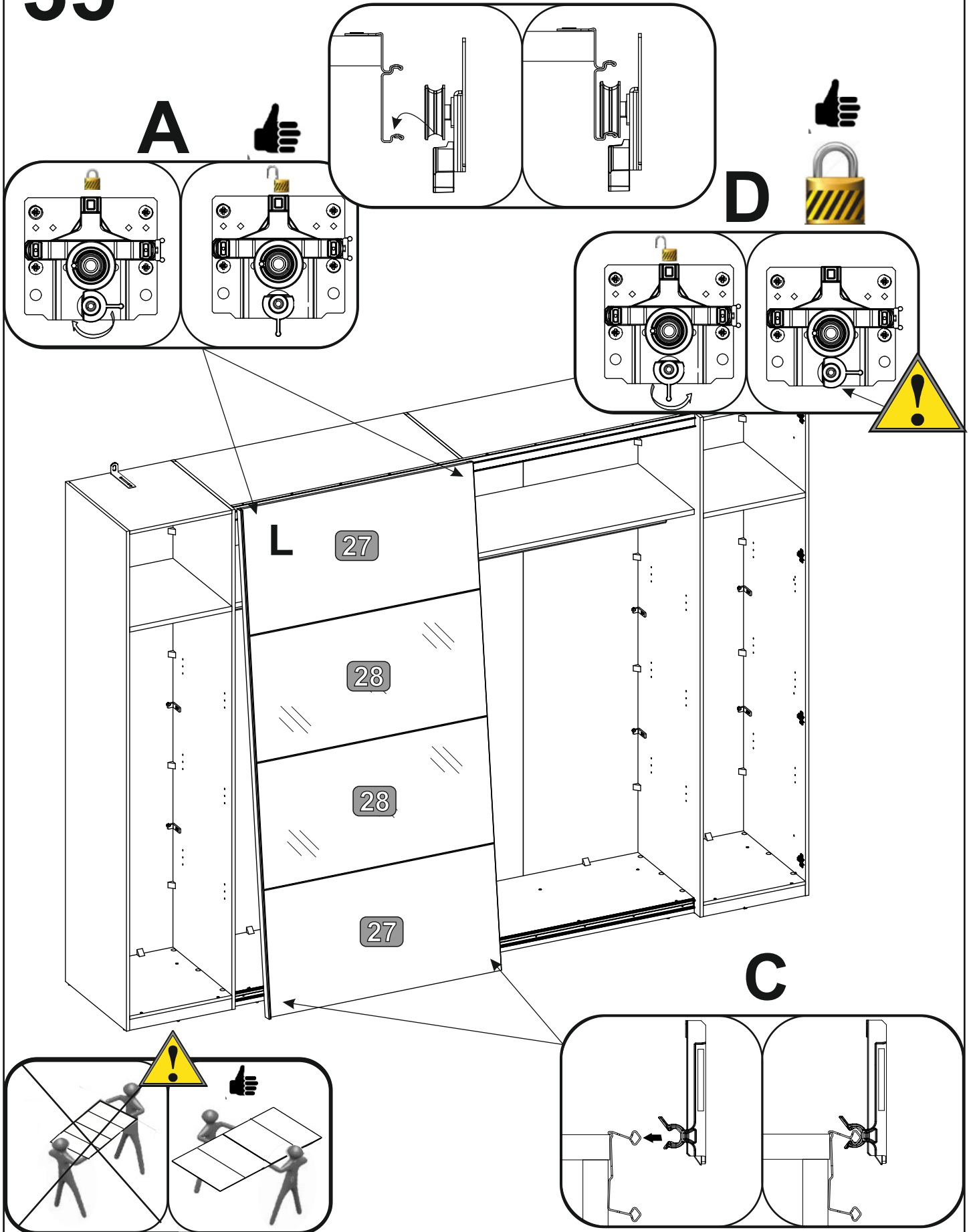
35

B

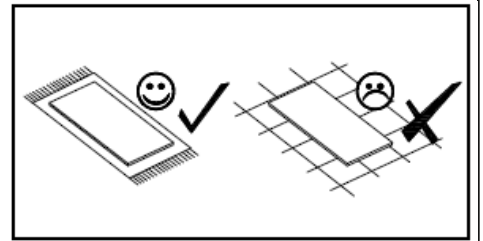
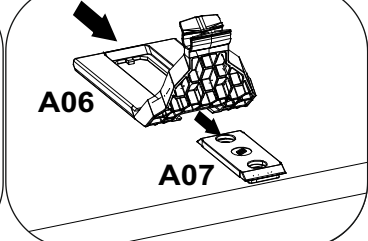
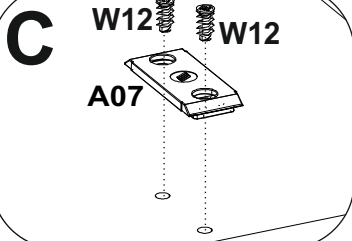
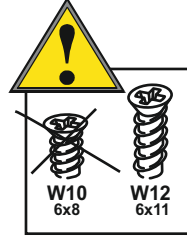
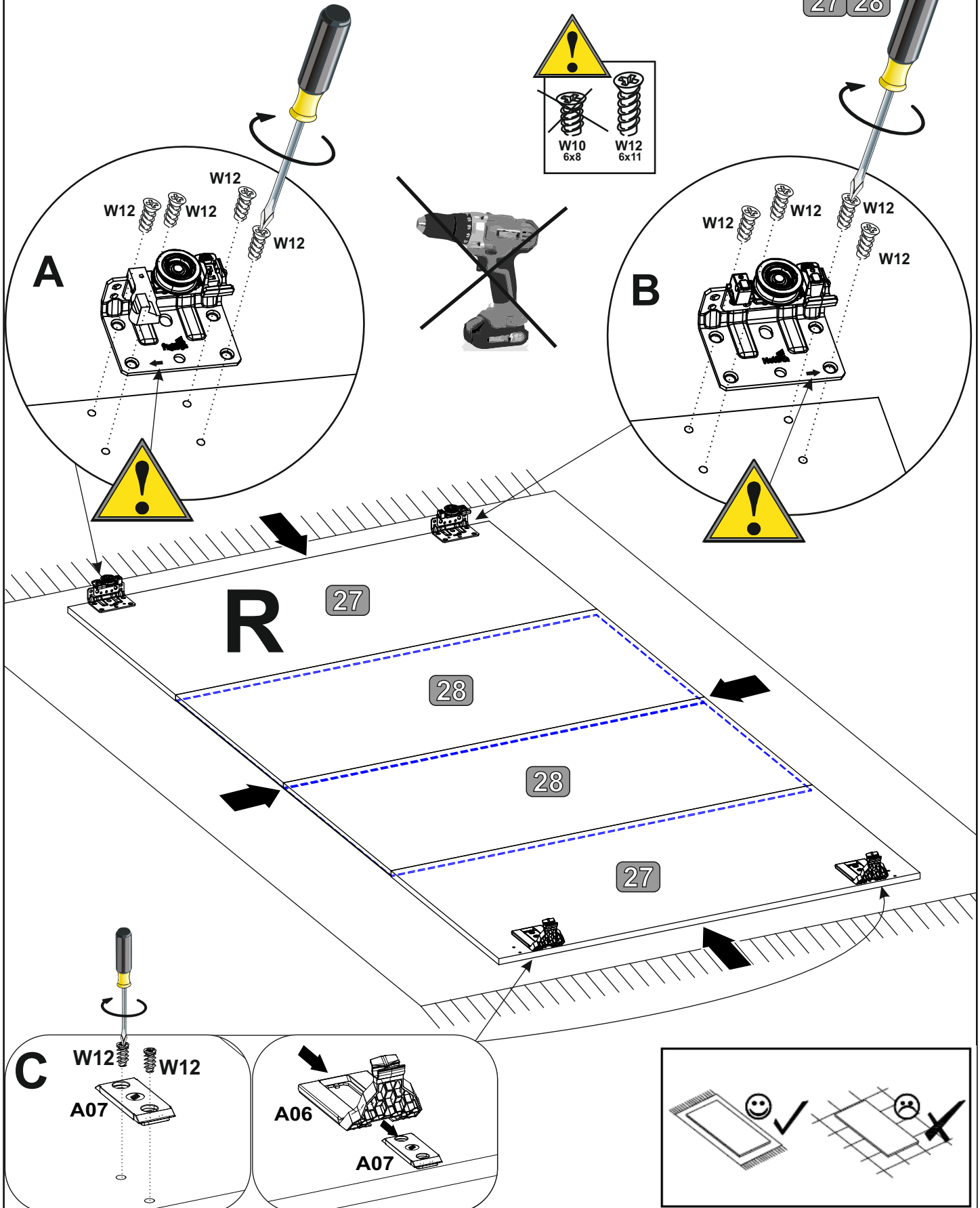
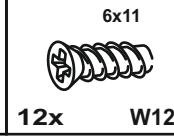
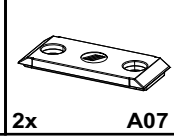
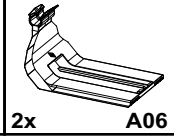
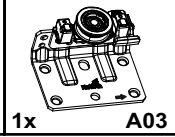
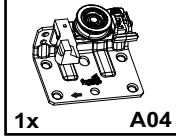
A

D

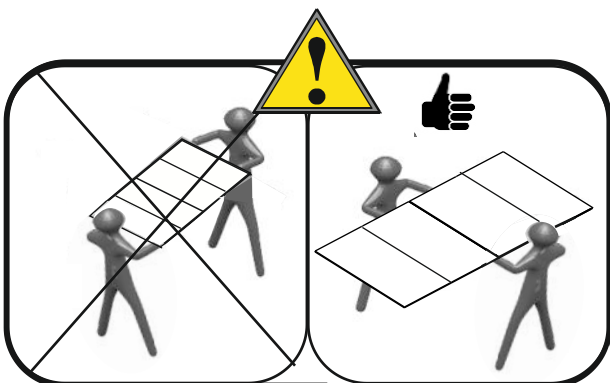
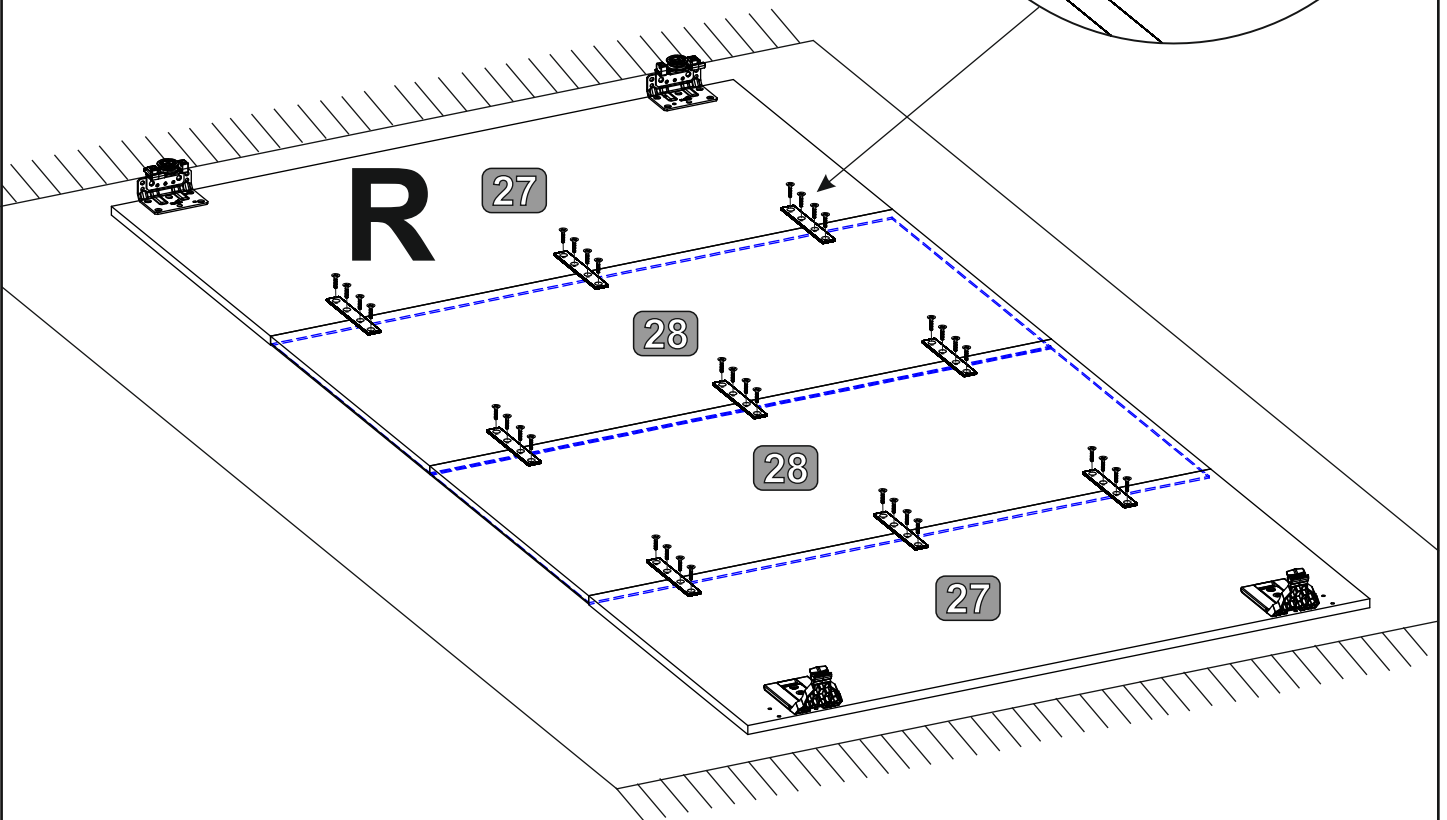
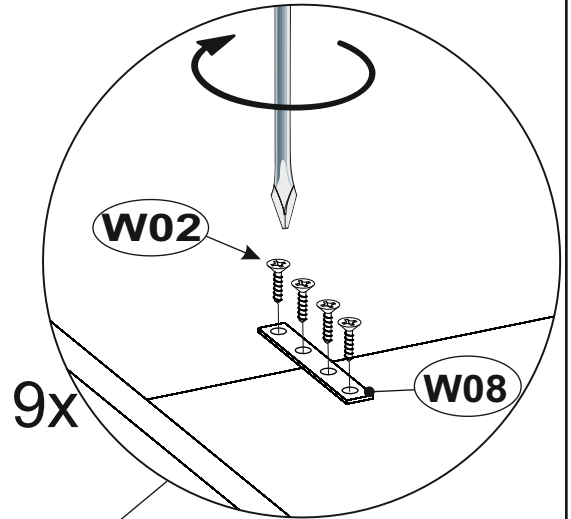
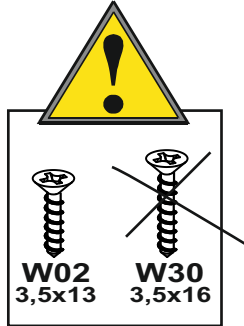
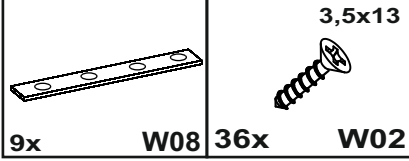
C



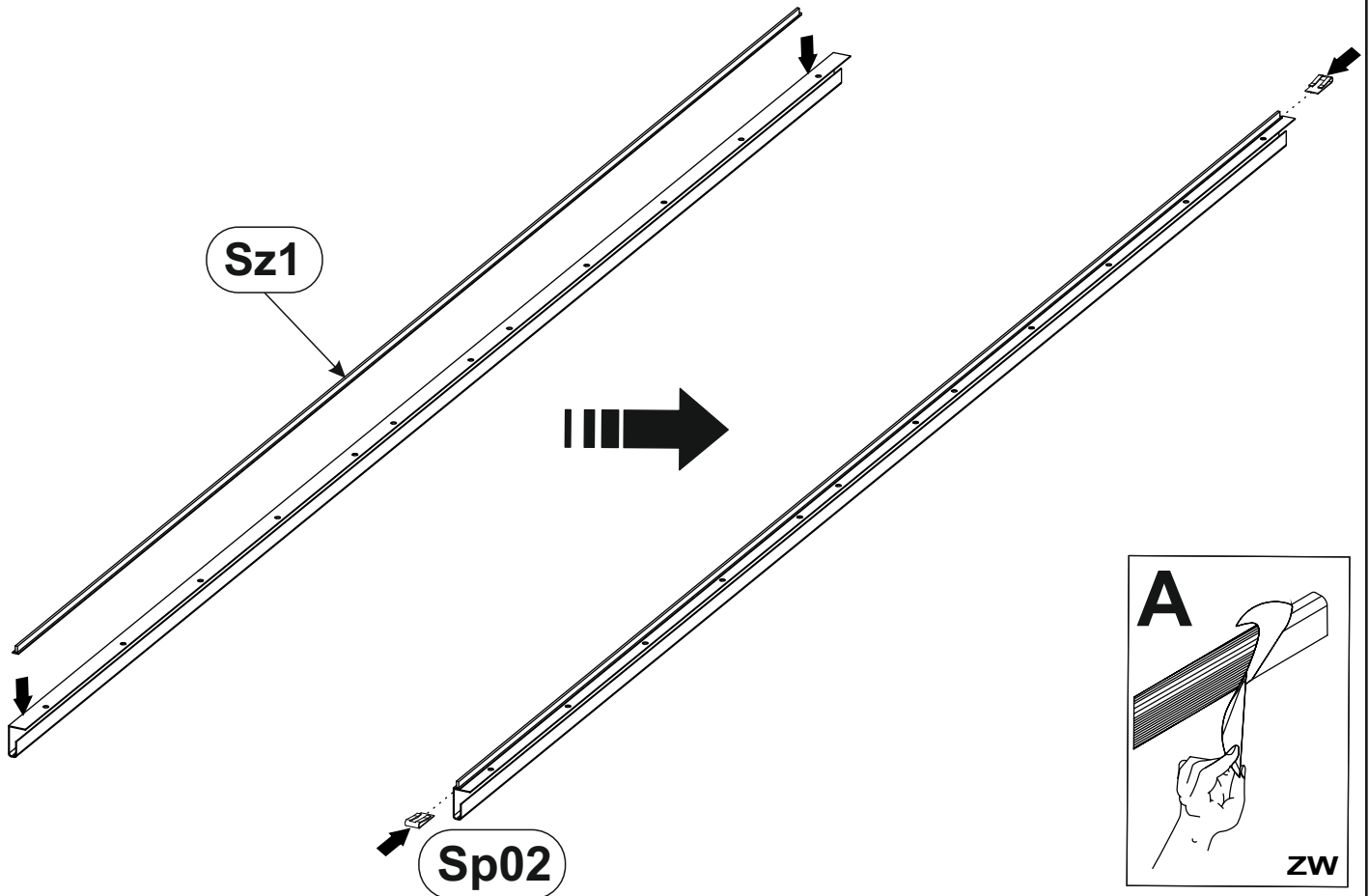
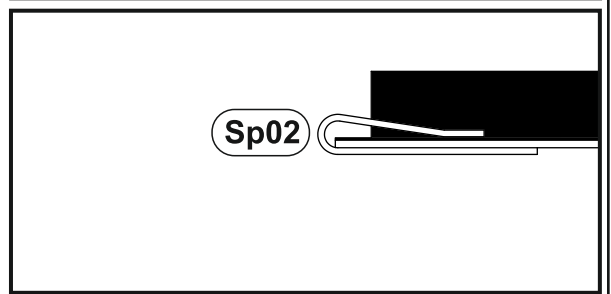
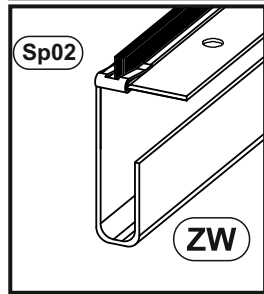
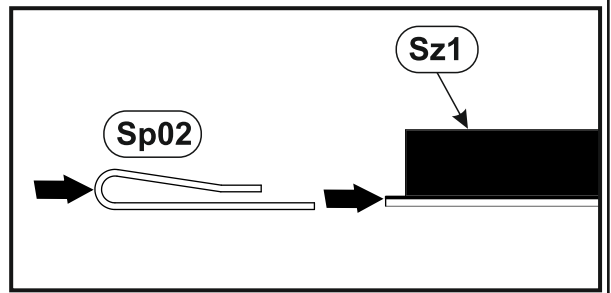
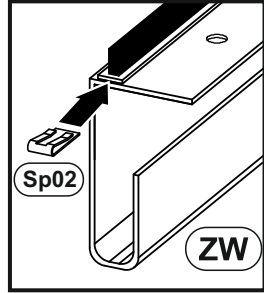
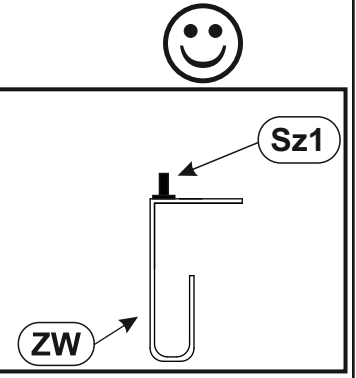
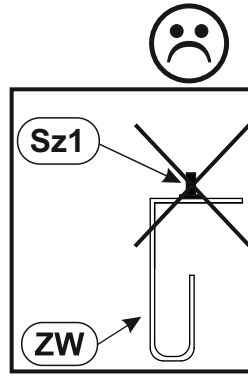
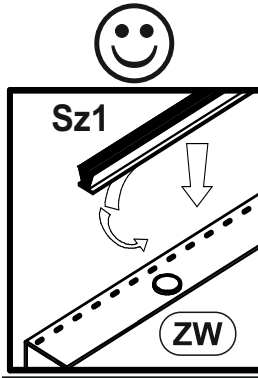
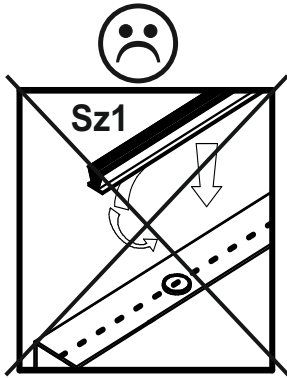
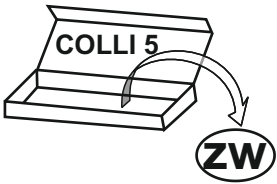
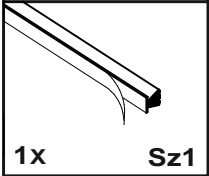
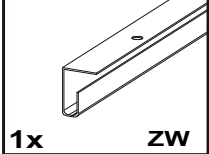
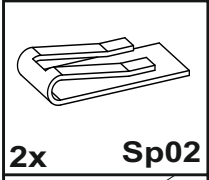
36



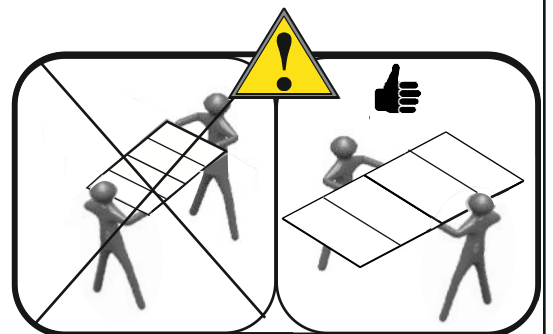
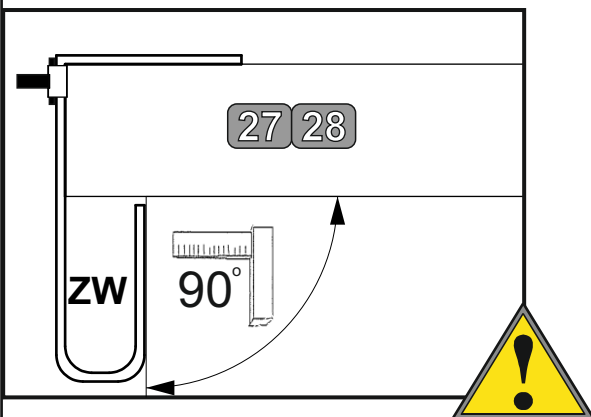
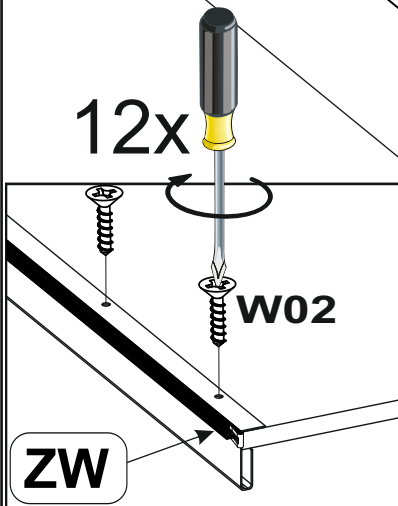
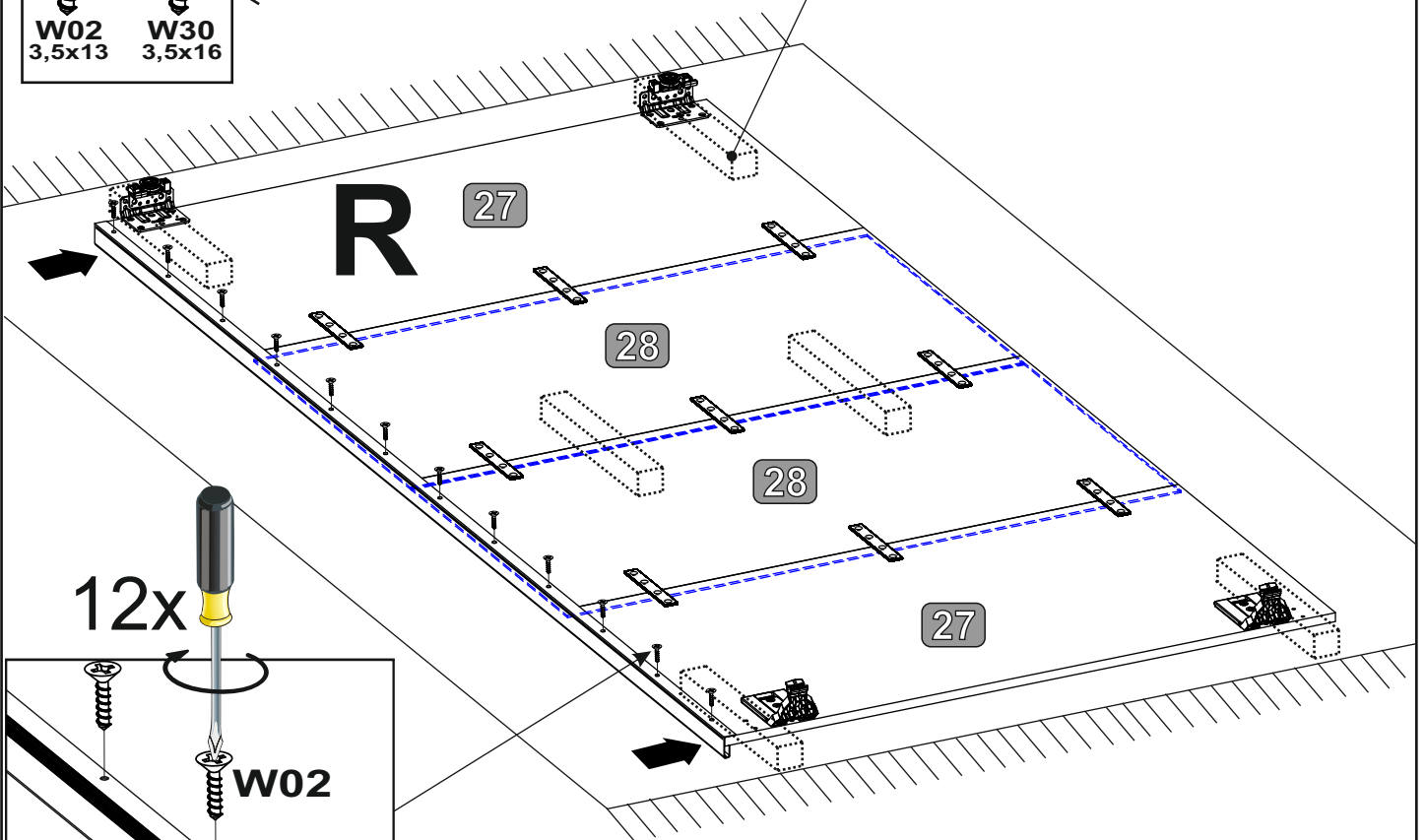
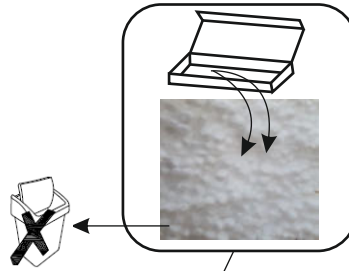
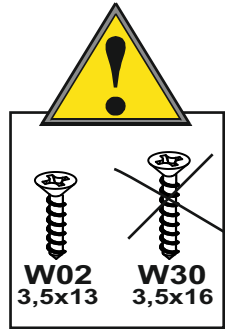
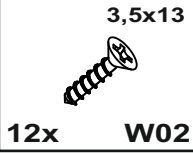
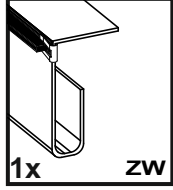
37



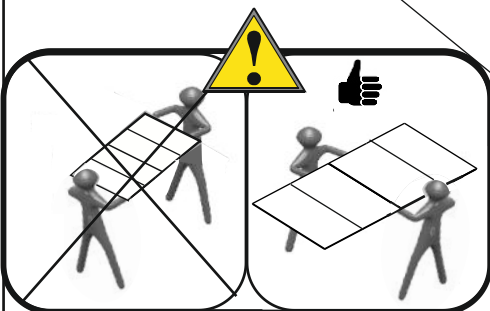
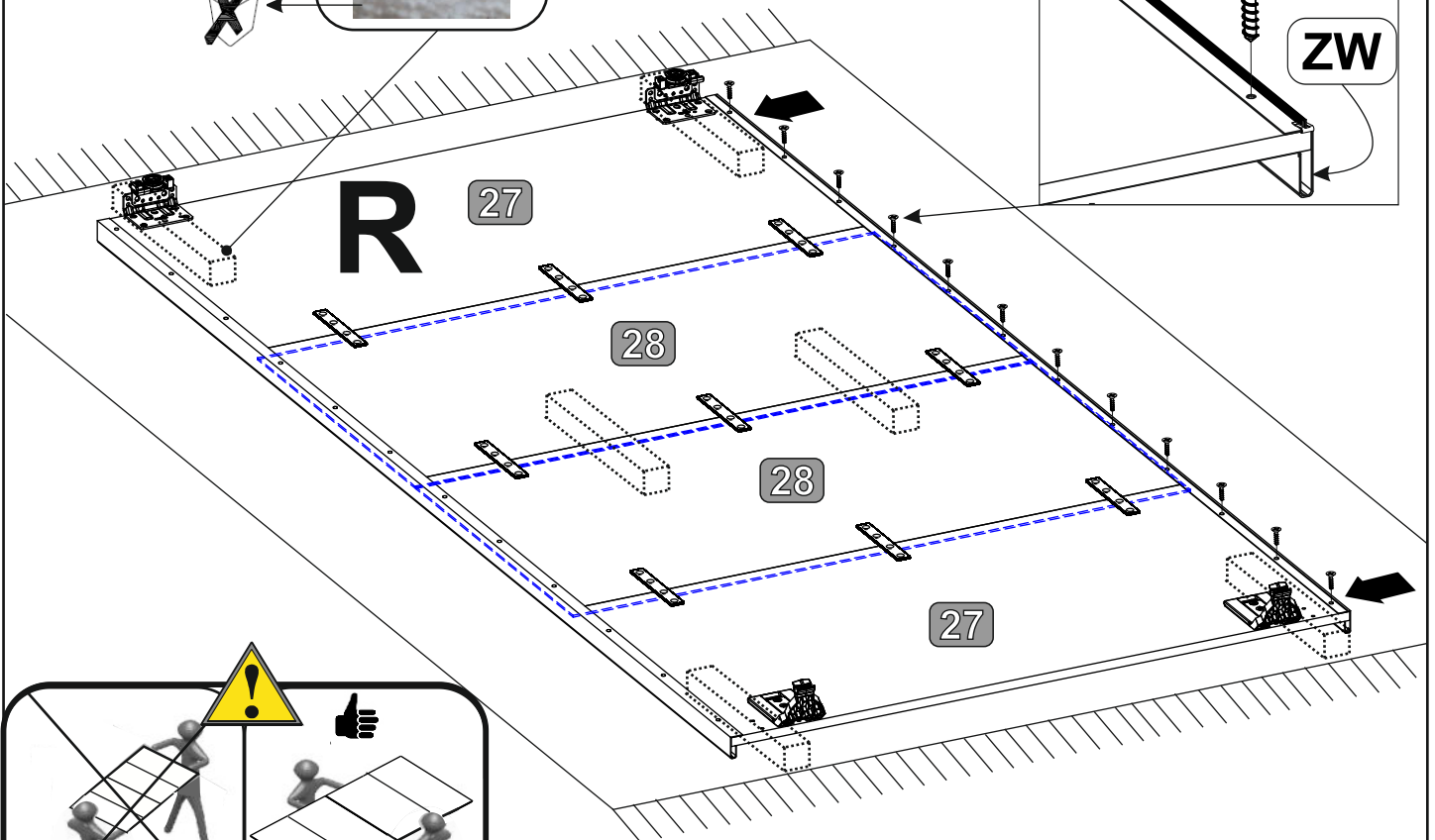
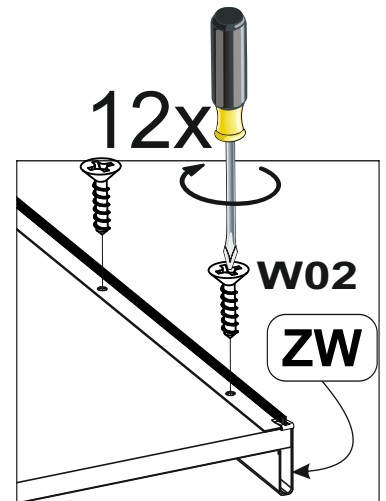
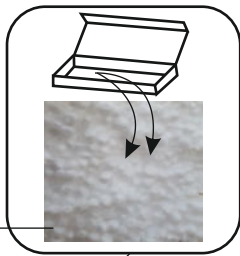
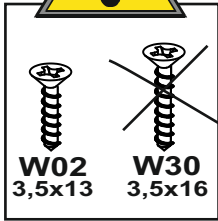
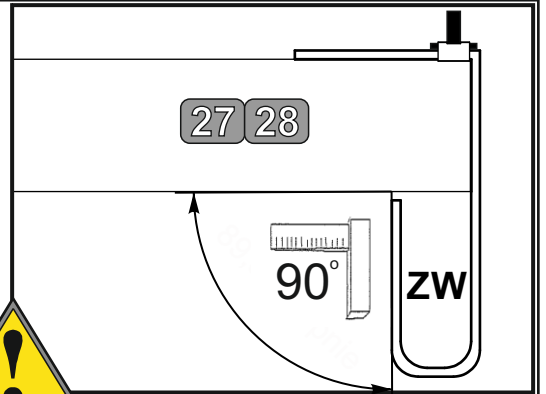
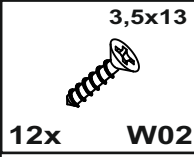
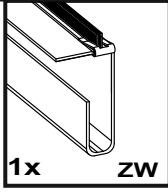
38



39

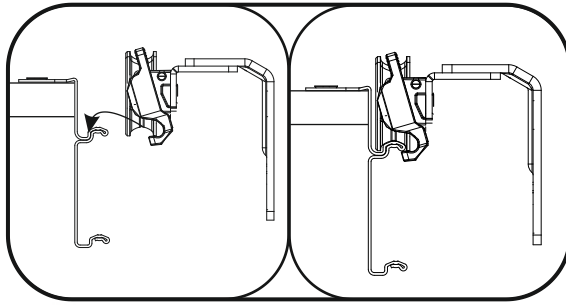


40

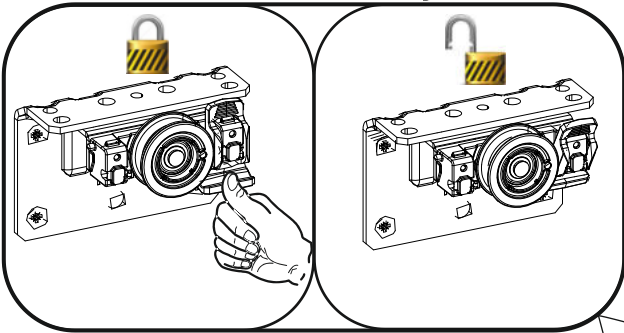


41

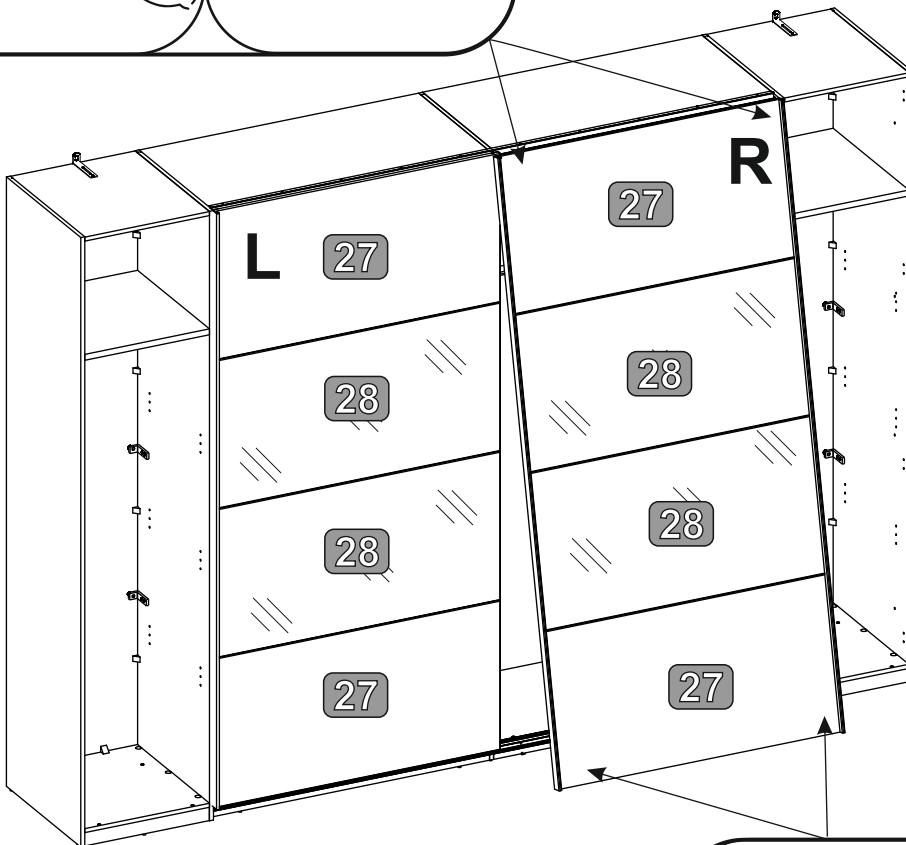
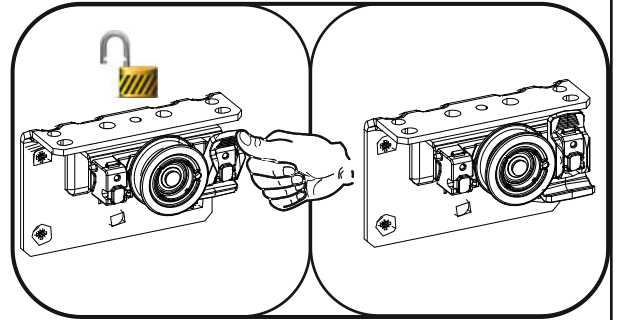
B



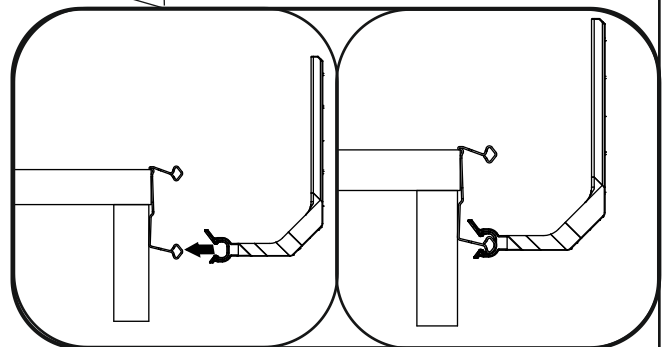
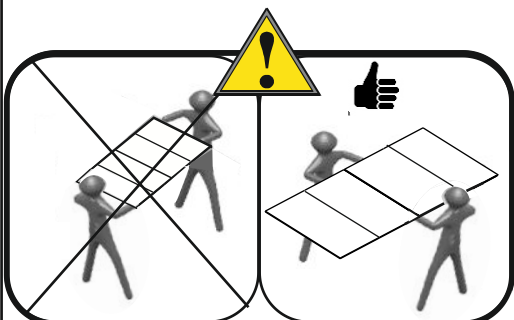
A



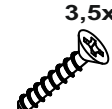
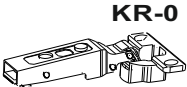

D

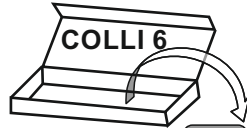


C

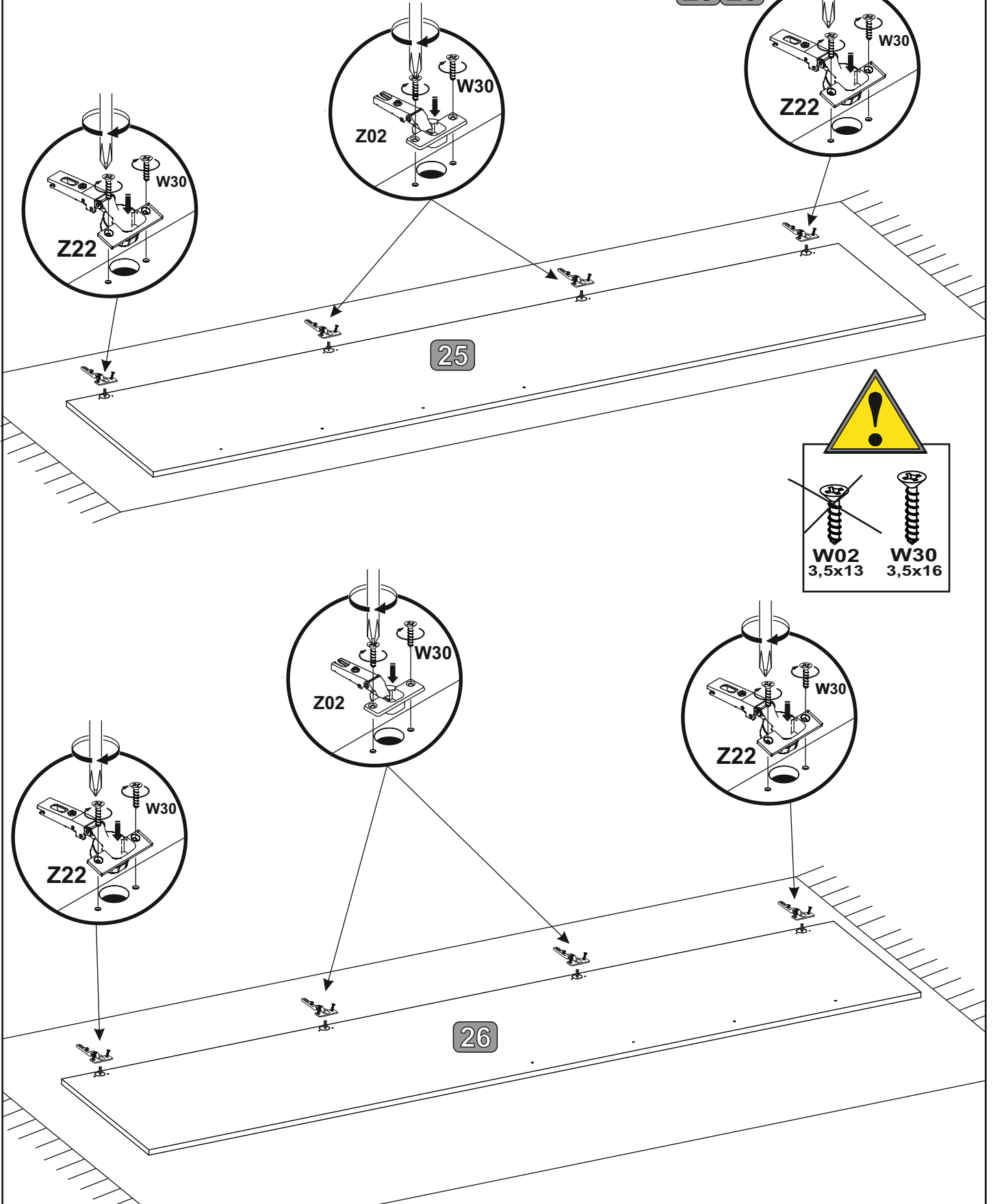


42

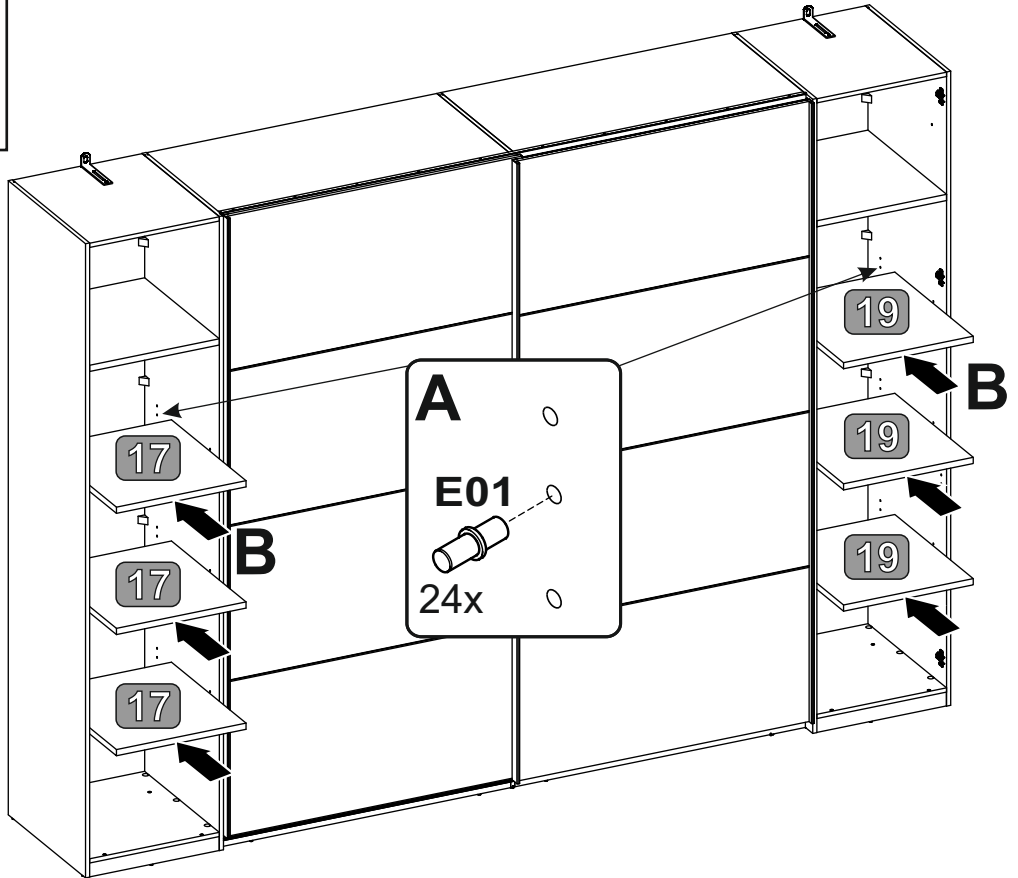
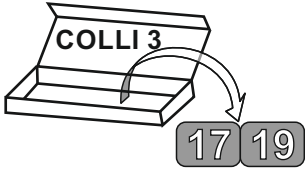
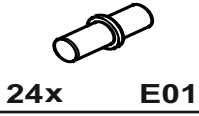
 3,5x16 16x W30	 KR-0 4x Z22	 KR-0 4x Z02
--	---	---



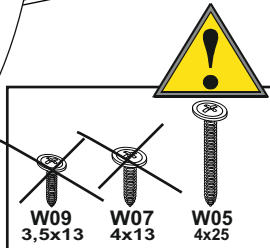
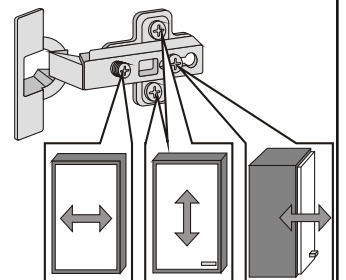
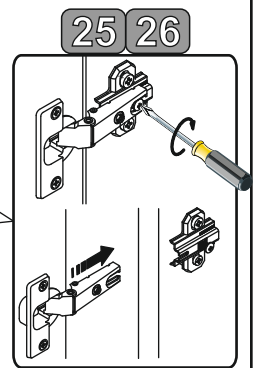
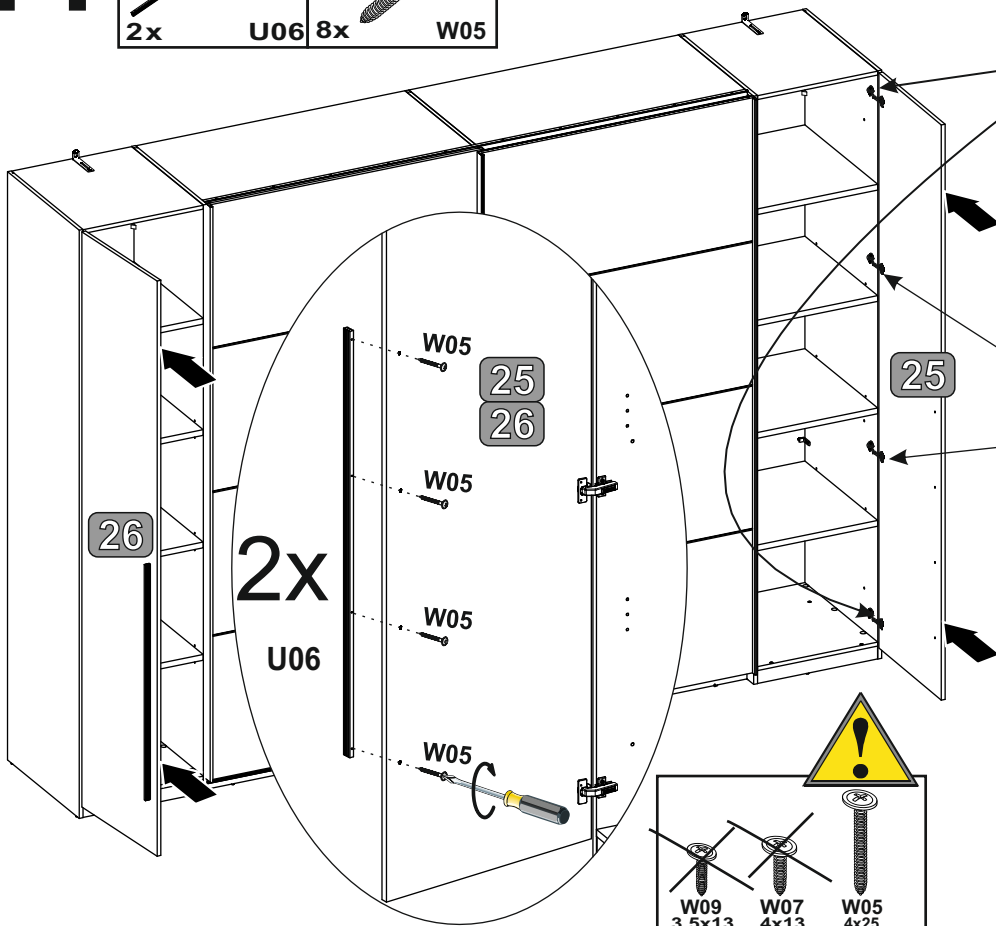
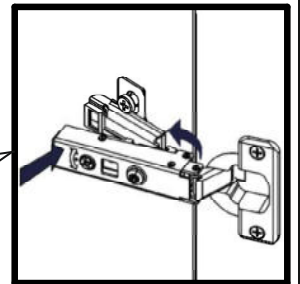
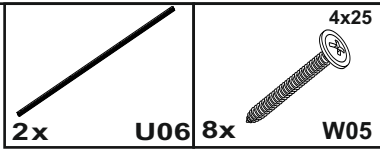
25 26



43



44



45

