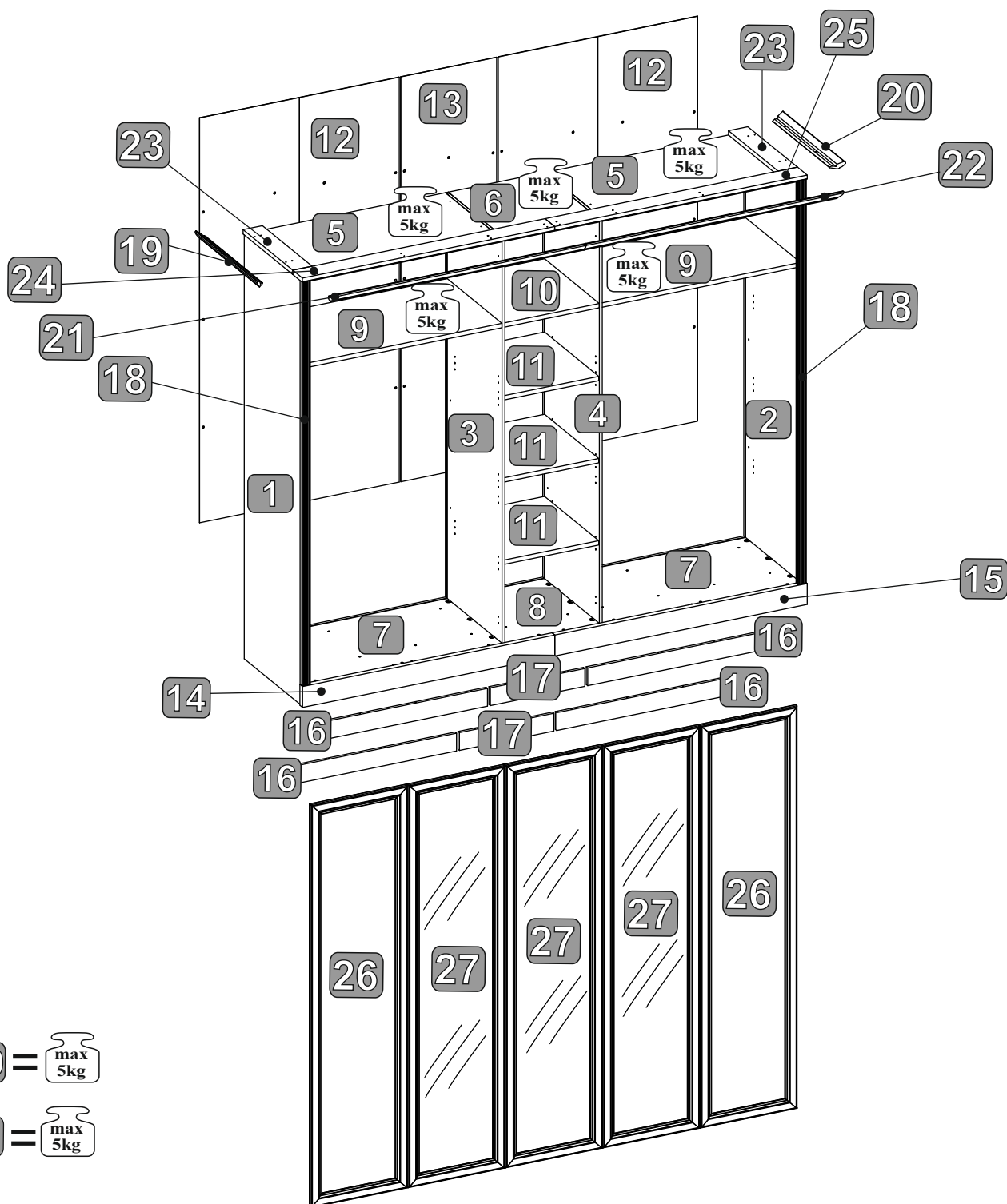
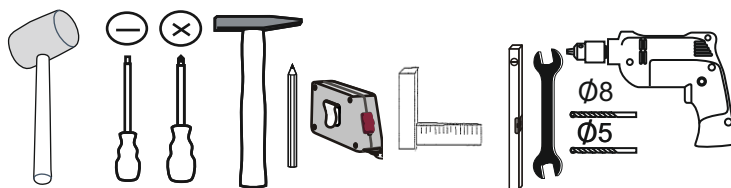
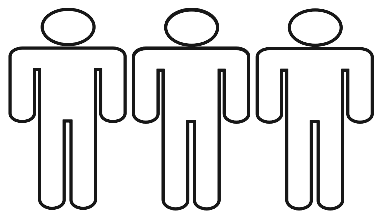


NR	DIM	QTE	COLLI	NR	DIM	QTE	COLLI	NR	DIM	QTE	COLLI
1	2150x585x15	1	3/7	10	488x565x22	1	2/7	19	640x67x21,5	1	5/7
2	2150x585x15	1	3/7	11	488x560x22	3	2/7	20	640x67x21,5	1	5/7
3	2150x585x15	1	4/7	12	2049x1030x2	2	3/7	21	1331x67x21,5	1	5/7
4	2150x585x15	1	5/7	13	2049x495x2	1	3/7	22	1331x67x21,5	1	5/7
5	1023x584x15	2	1/7	14	1302,5x106x28	1	4/7	23	512x100x22	2	5/7
6	488x584x15	1	1/7	15	1302,5x106x28	1	4/7	24	1303x100x22	1	5/7
7	1023x585x15	2	1/7	16	1023x90x15	4	1/7	25	1303x100x22	1	5/7
8	488x585x15	1	1/7	17	488x90x15	2	1/7	26	2037x499x22	2	6/7
9	1023x565x22	2	2/7	18	2044x42,5x22	2	4/7	27	2037x499x22	3	6;7/7

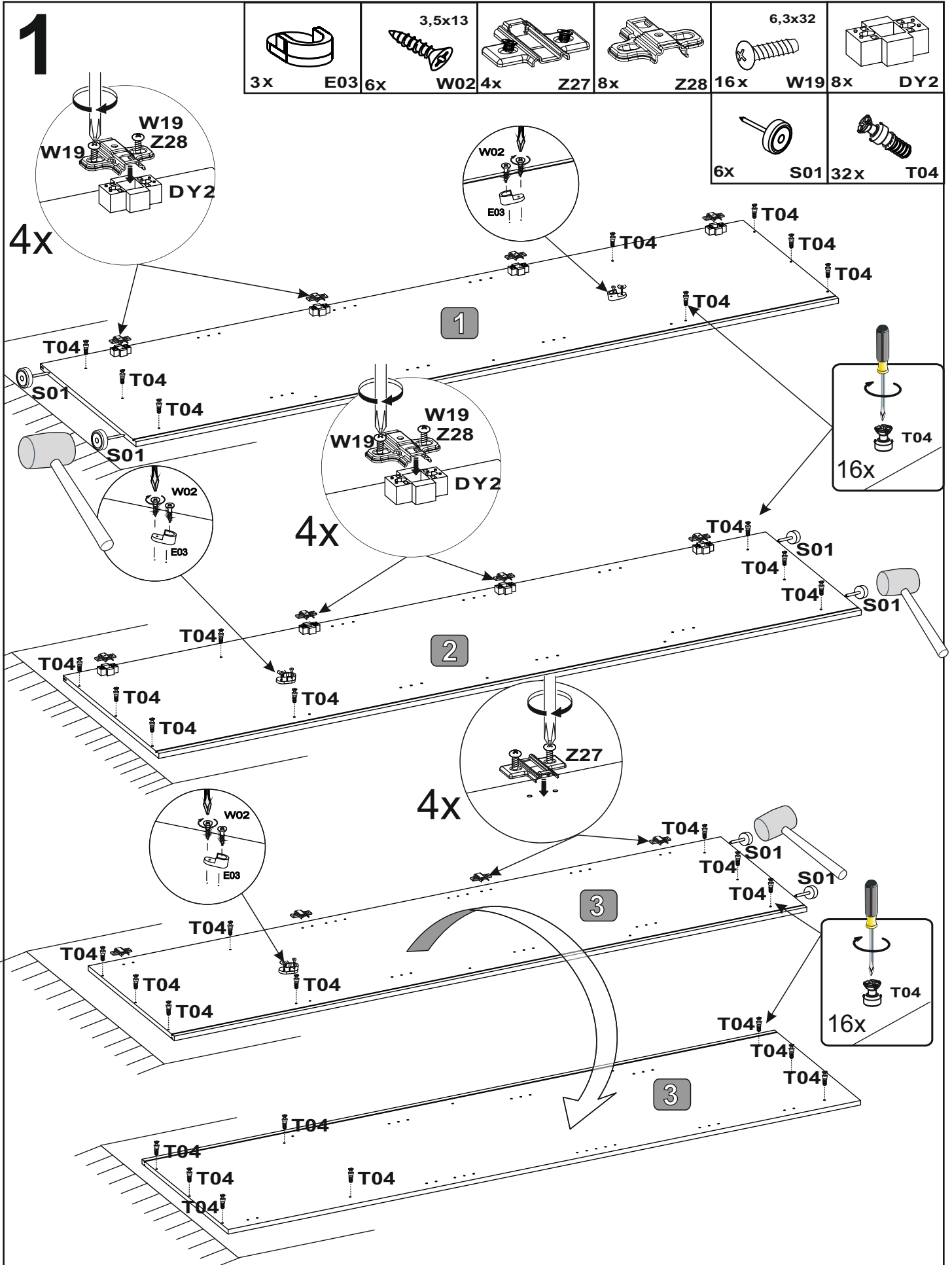




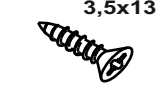


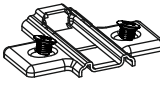


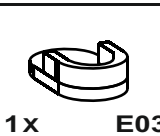
 56x T05	 56x T04	 23x R02	 6,3x9,5 23x W20	 4x25 12x W21	 4x E03	 3,5x16 40x W30
 24x S01	 12x E01	 4x35 12x W22	 L-1019 2x J01	 Φ35 KR-15 8x Z25	 8x Z28	 Φ35 KR-8 12x Z26
 12x Z27	 8x DY2	 6,3x32 16x W19	 5x U39	 4x30 10x Y02	 5x40 20x W16	 Z3 1x K02
 3,5x13 35x W02	 5x L01	 2x B05	 4x E02	 14x LAM	 2x P01	 4x13 4x W07
 2x F01	 2x F11	 28x C02				

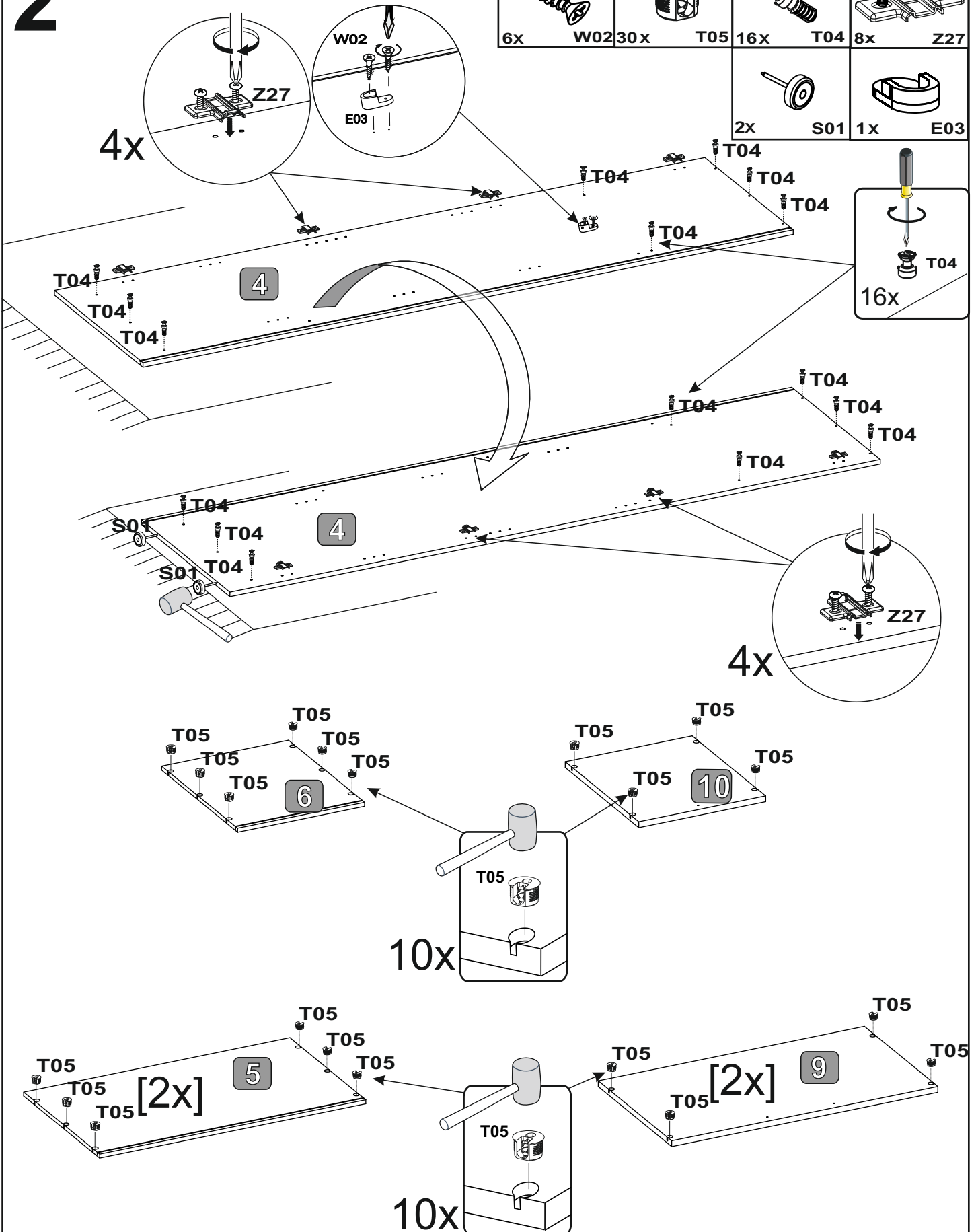
0 10 20 30 40 50 60 70 80 90 100



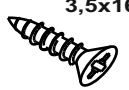
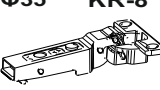
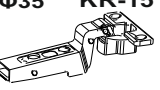






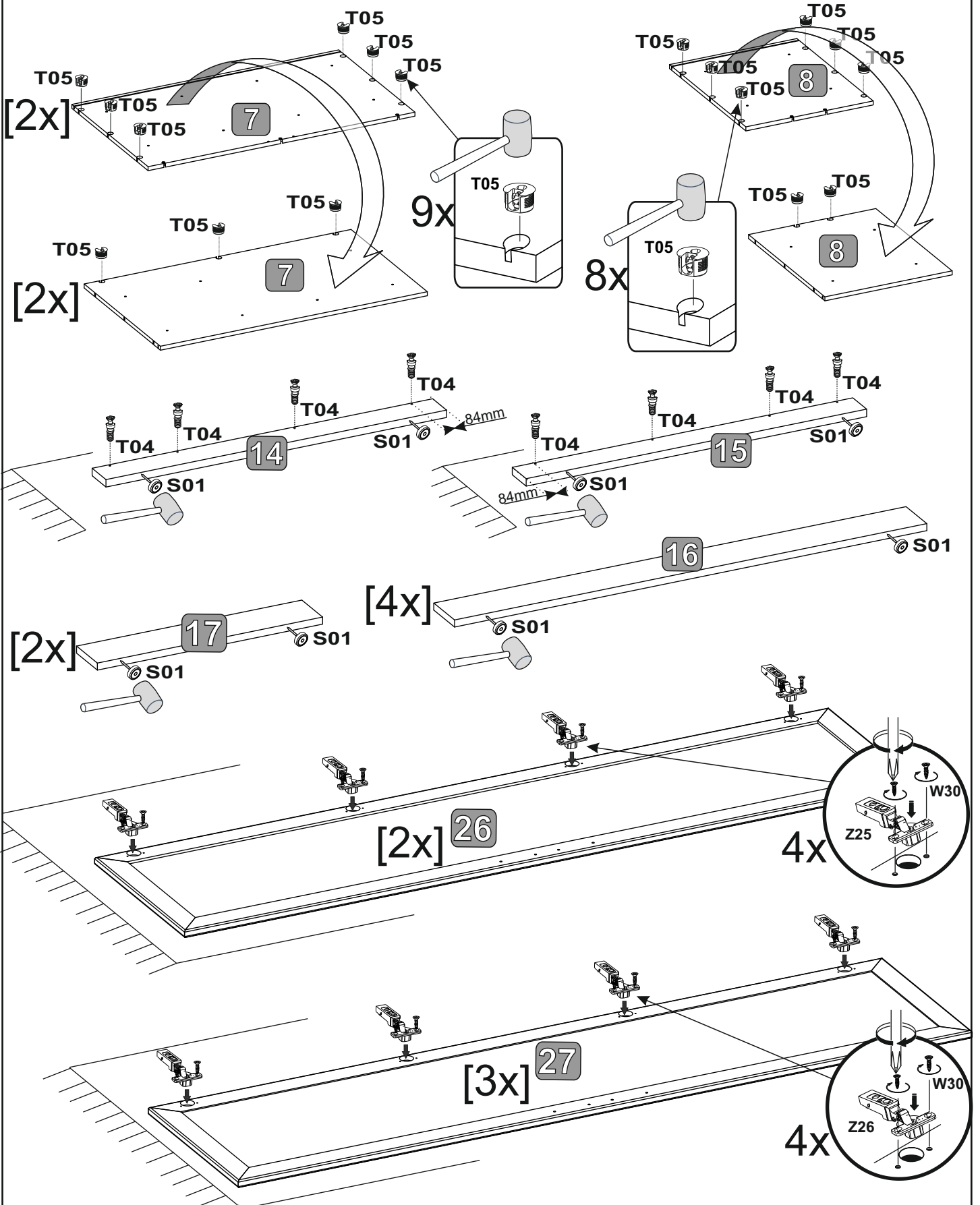
## 2

 3,5x13 6X	 W02 30X	 T05 16X	 Z27 8X
 T04 16X	 S01 2X	 E03 1X	

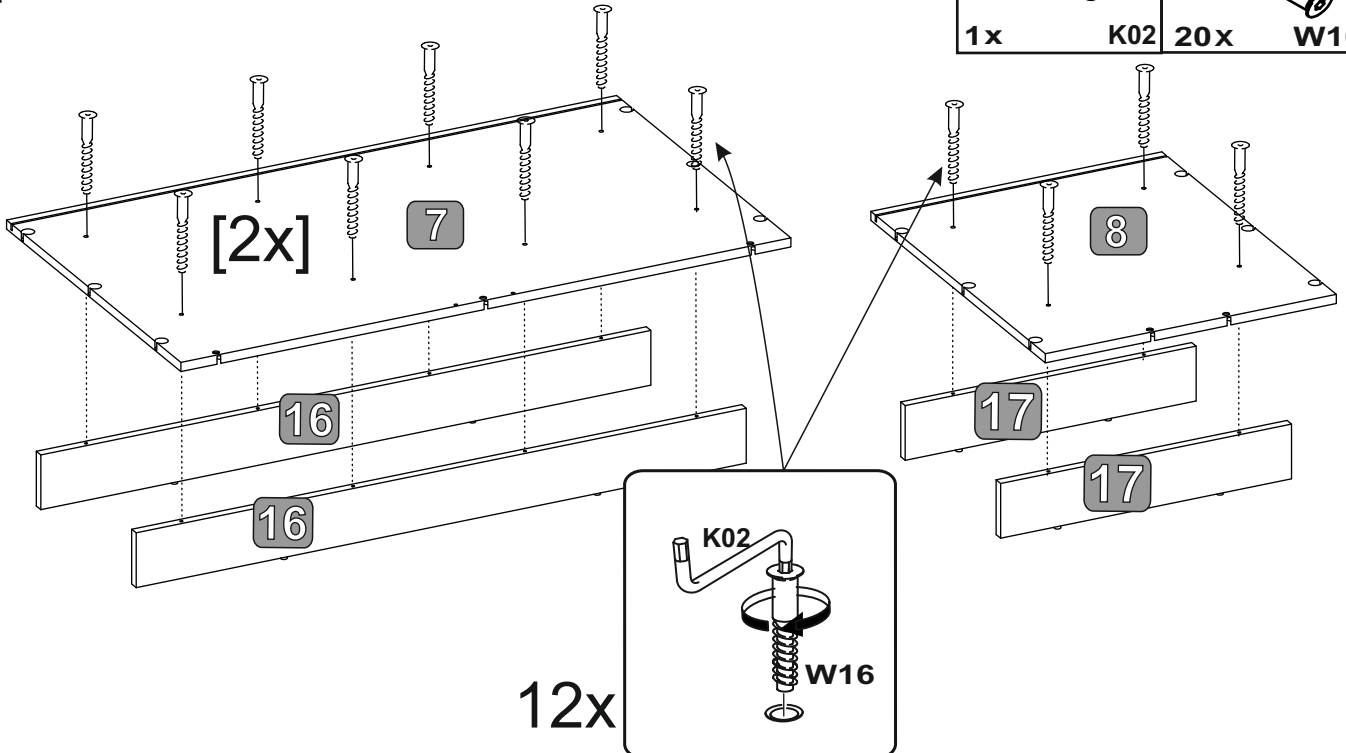


## 3

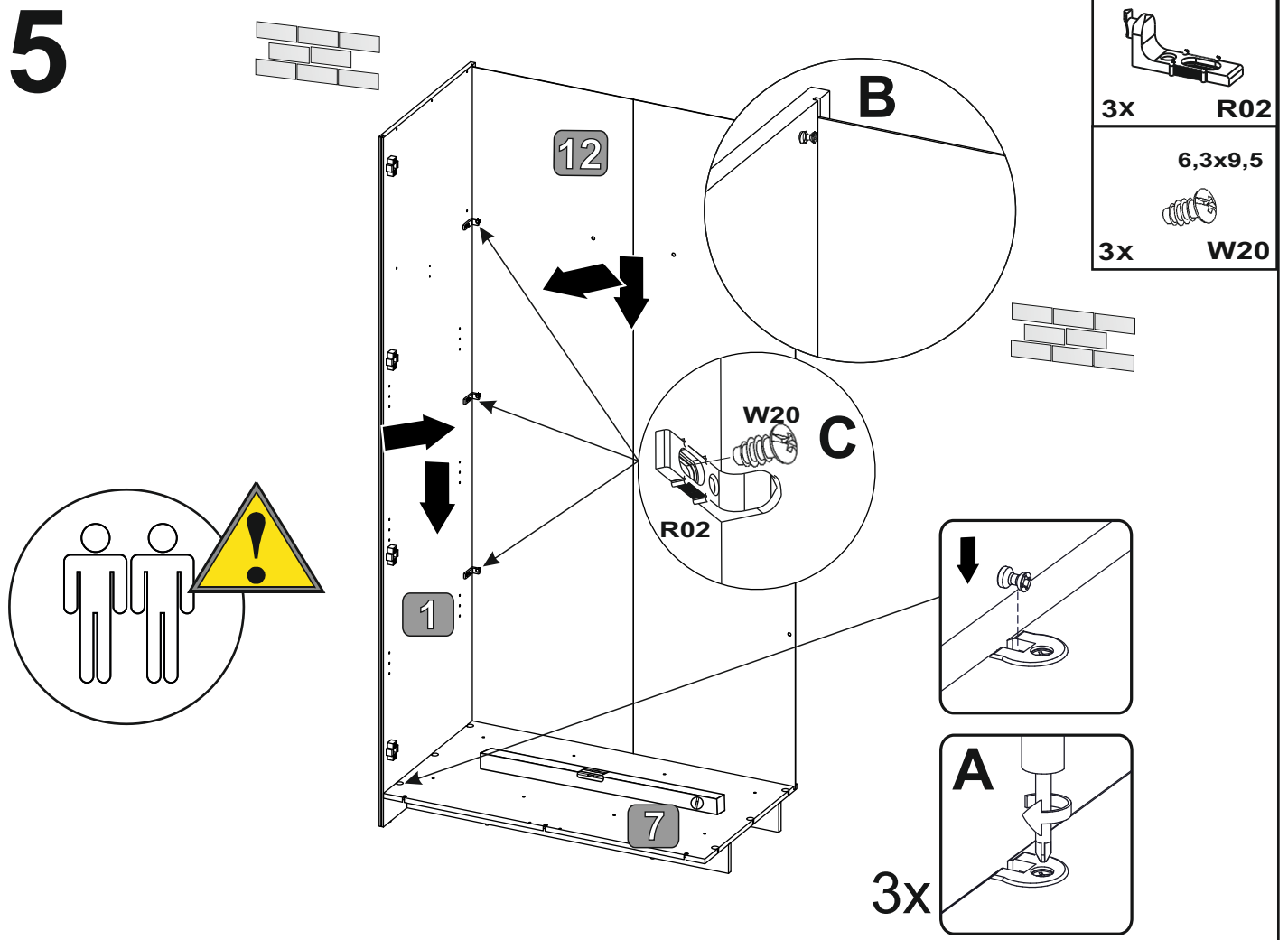
 3,5x16 40x	 Φ35 KR-8 12x	 Φ35 KR-15 8x	 W30 16x	 S01 8x	 Z25 26x	 Z26 T05
--	--	--	---	--	---	---



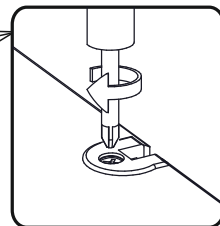
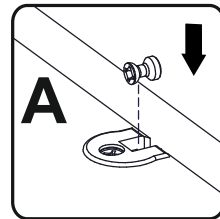
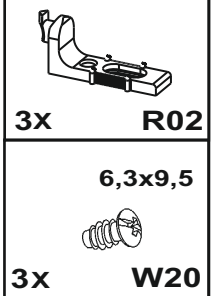
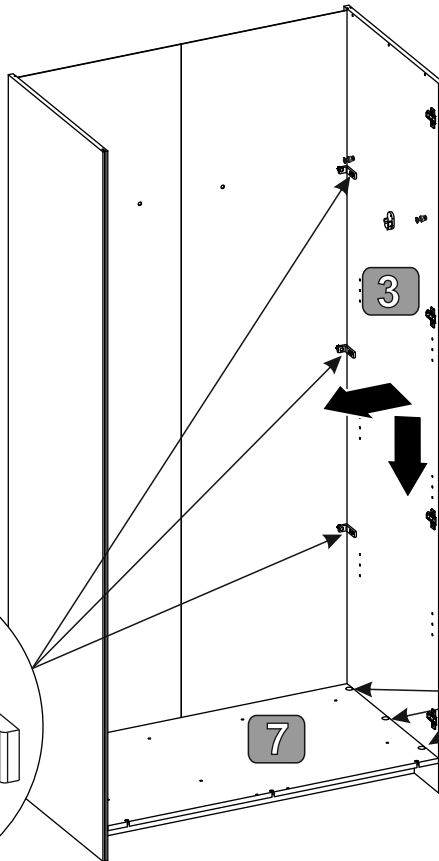
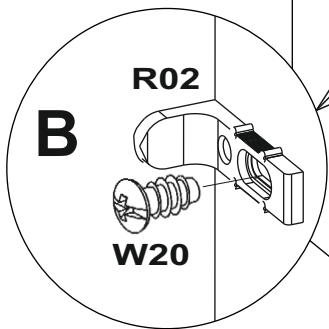
## 4



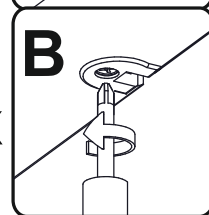
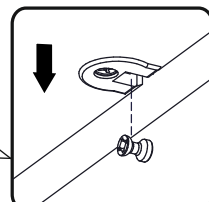
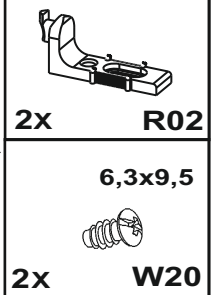
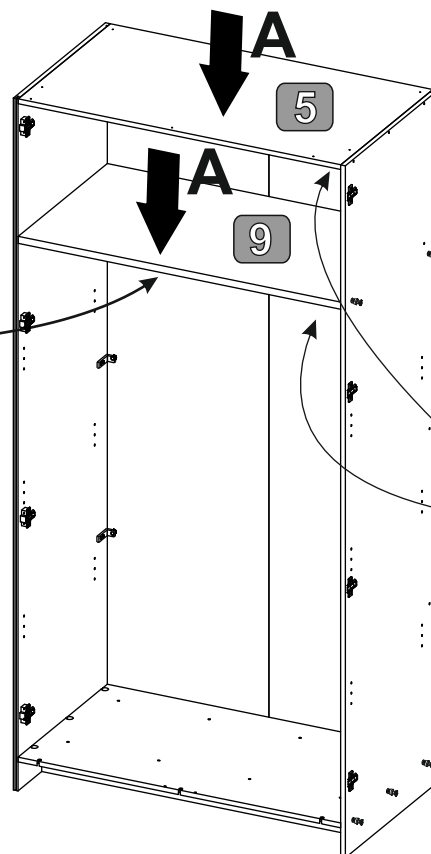
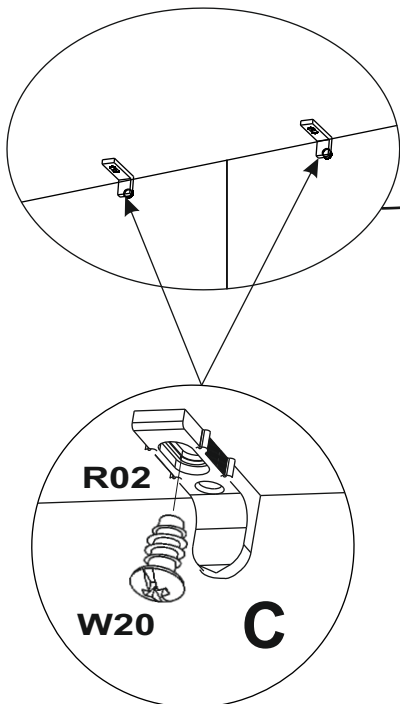
## 5



6



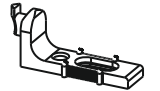
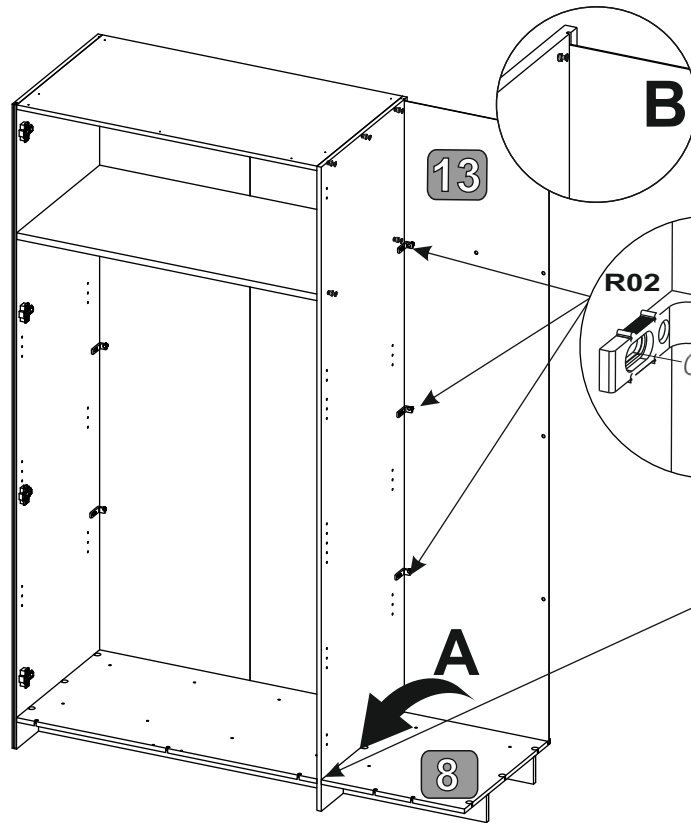
7



10x



8

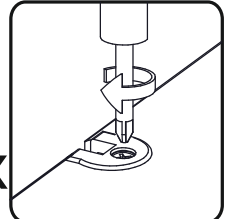
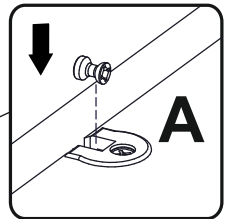


3x R02

6,3x9,5

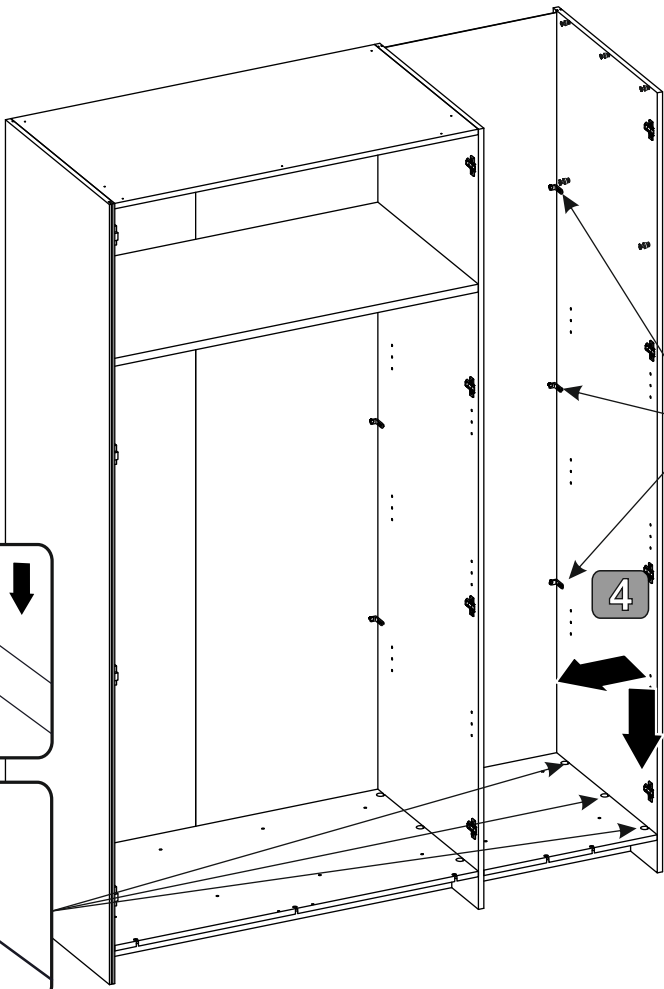


3x W20



3x

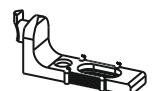
9



6,3x9,5



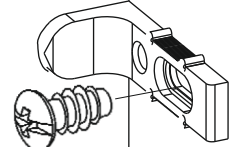
3x W20



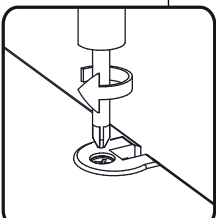
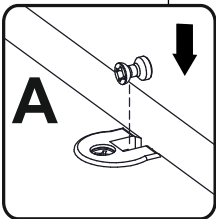
3x R02

B

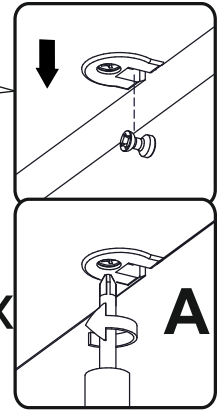
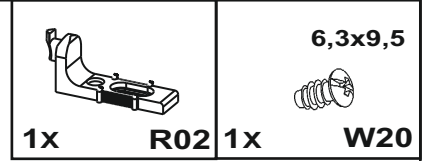
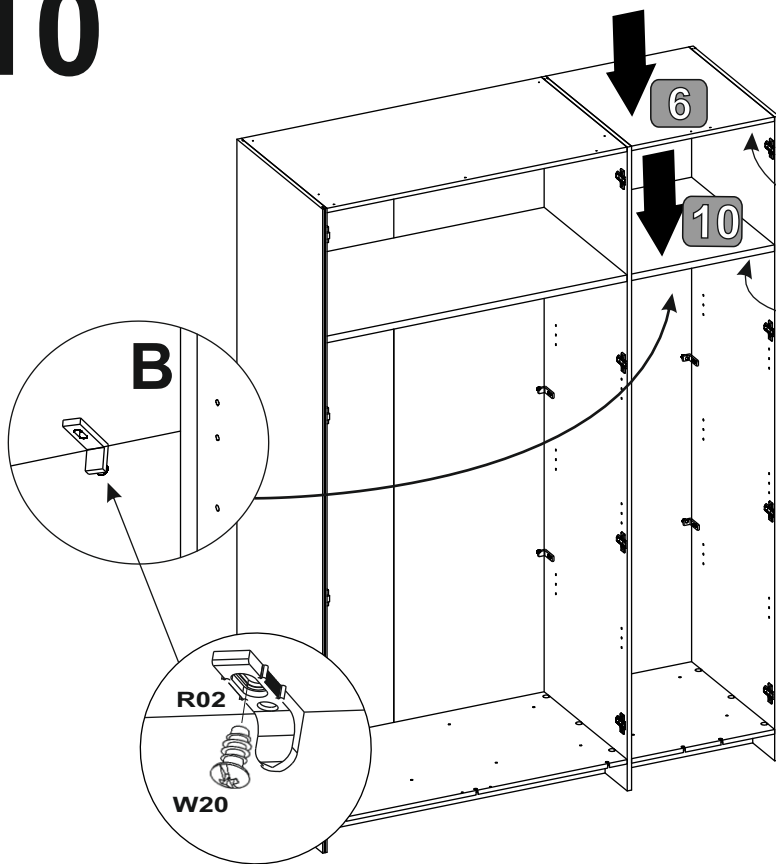
R02



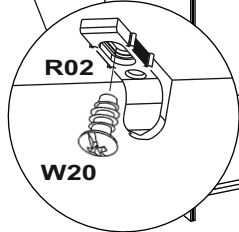
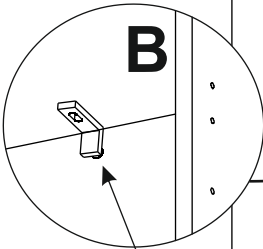
W20



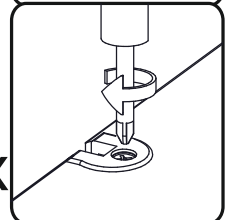
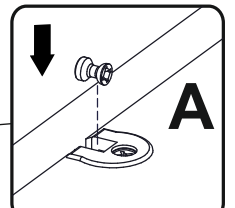
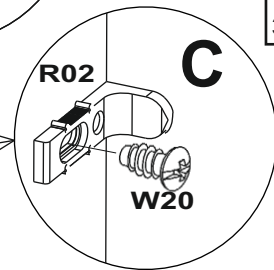
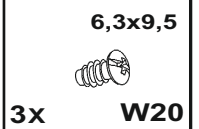
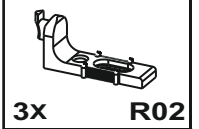
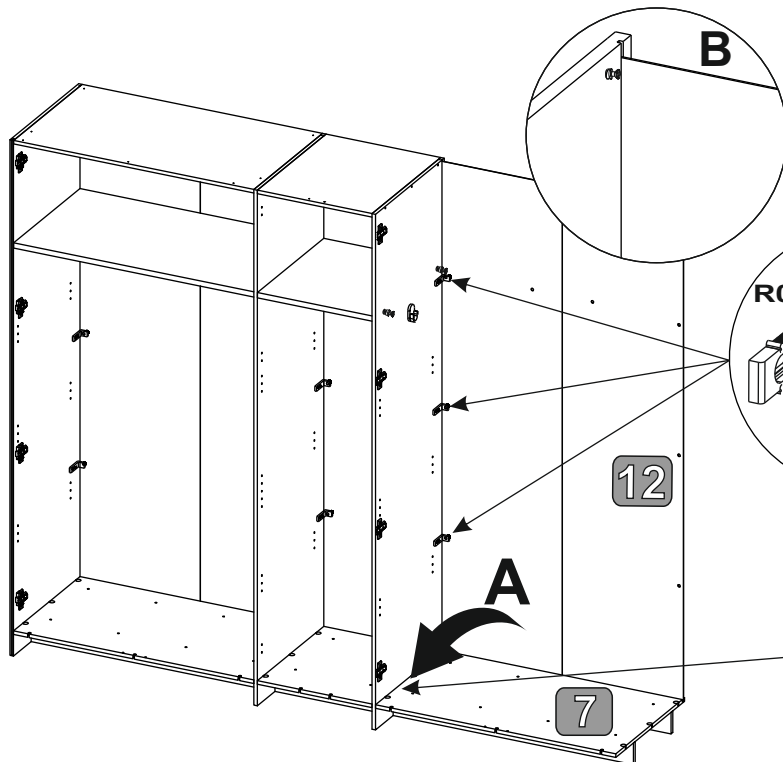
# 10



10x

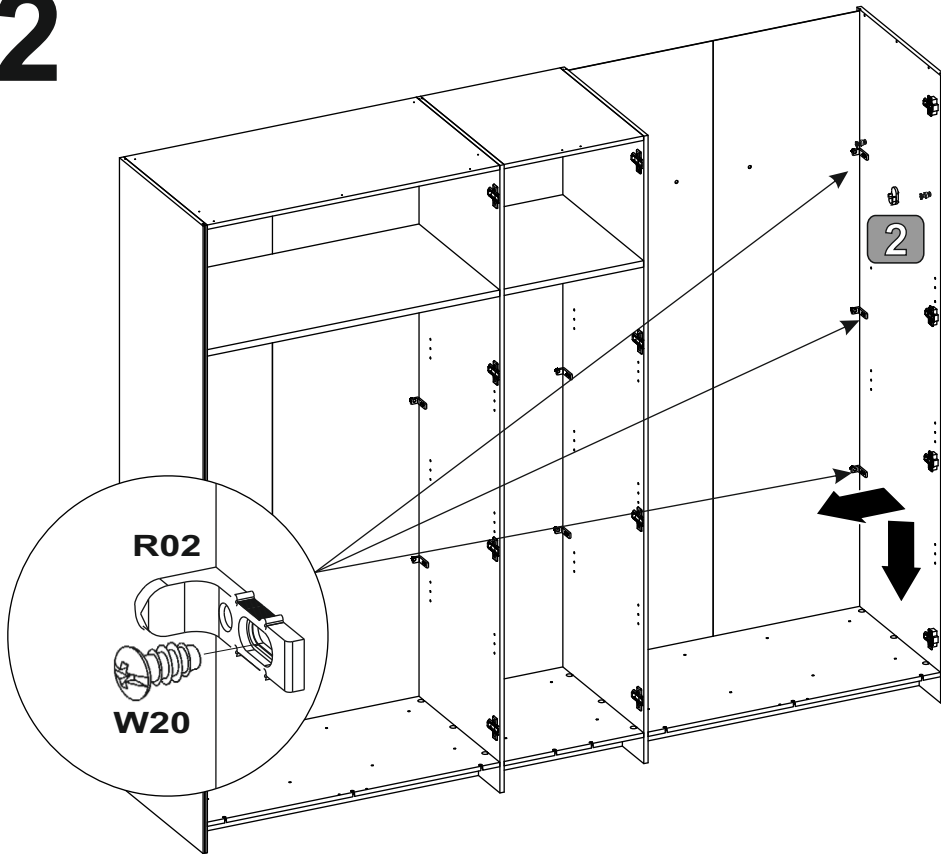


# 11

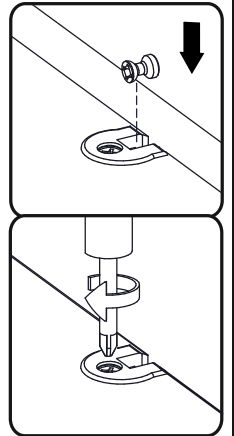


3x

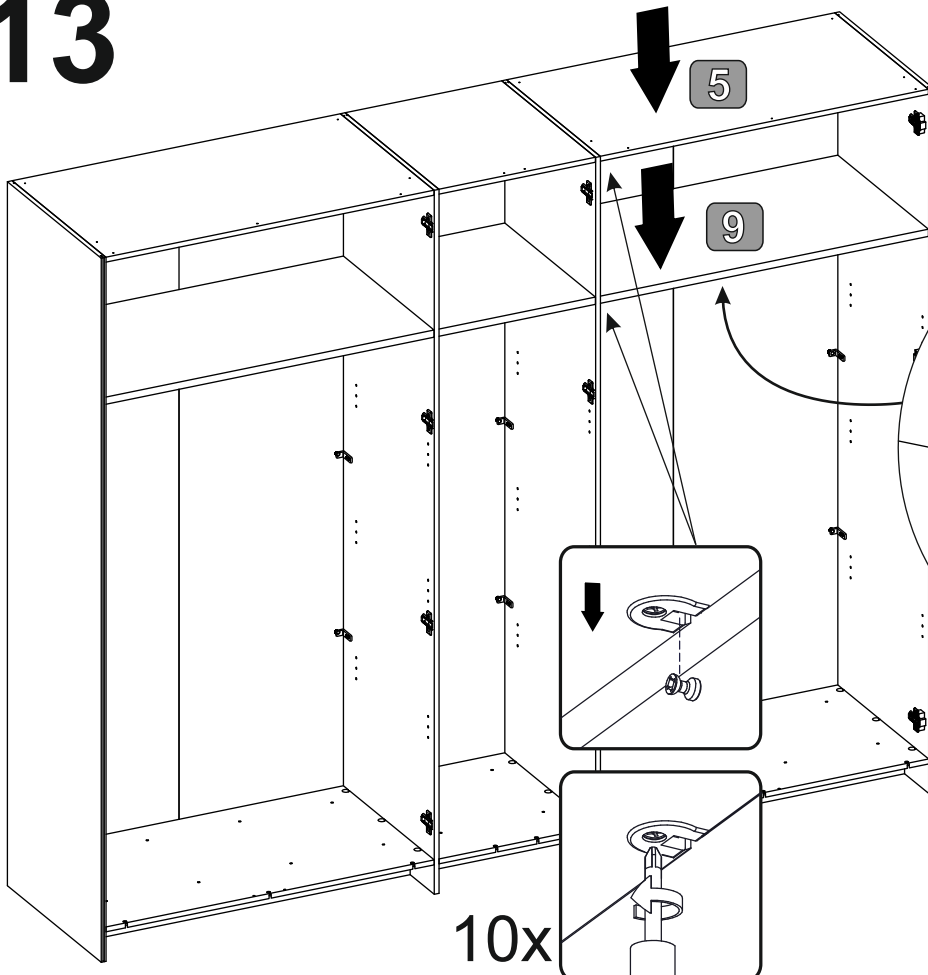
# 12



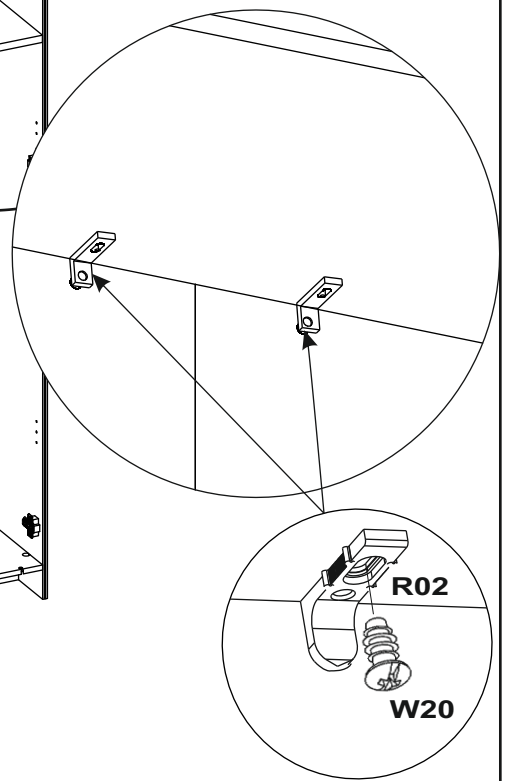
- 3x R02
- 6,3x9,5
- 3x W20



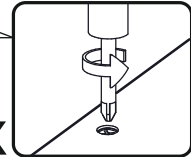
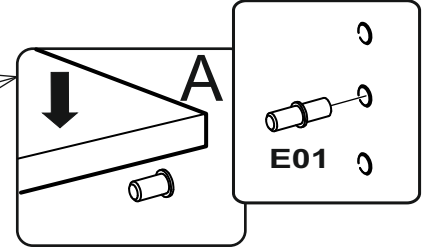
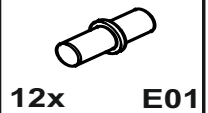
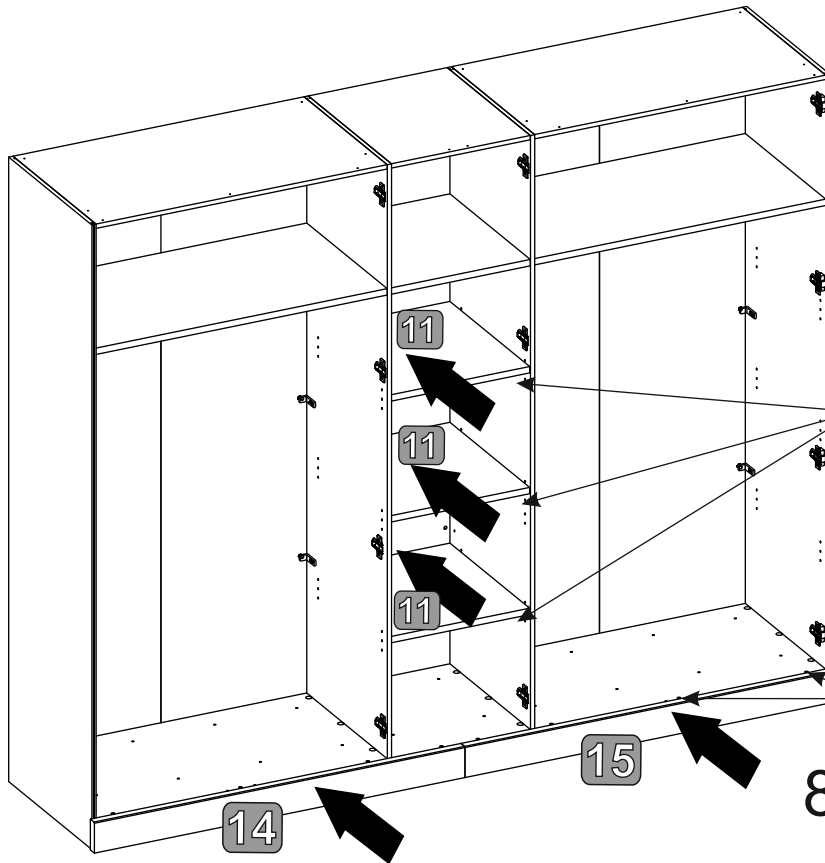
# 13



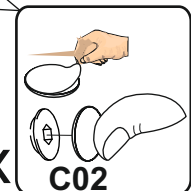
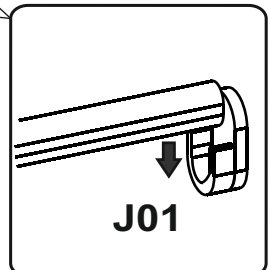
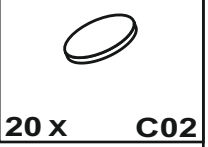
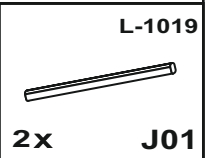
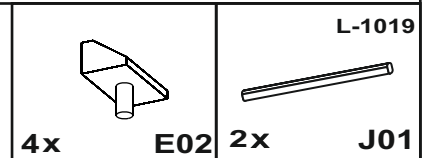
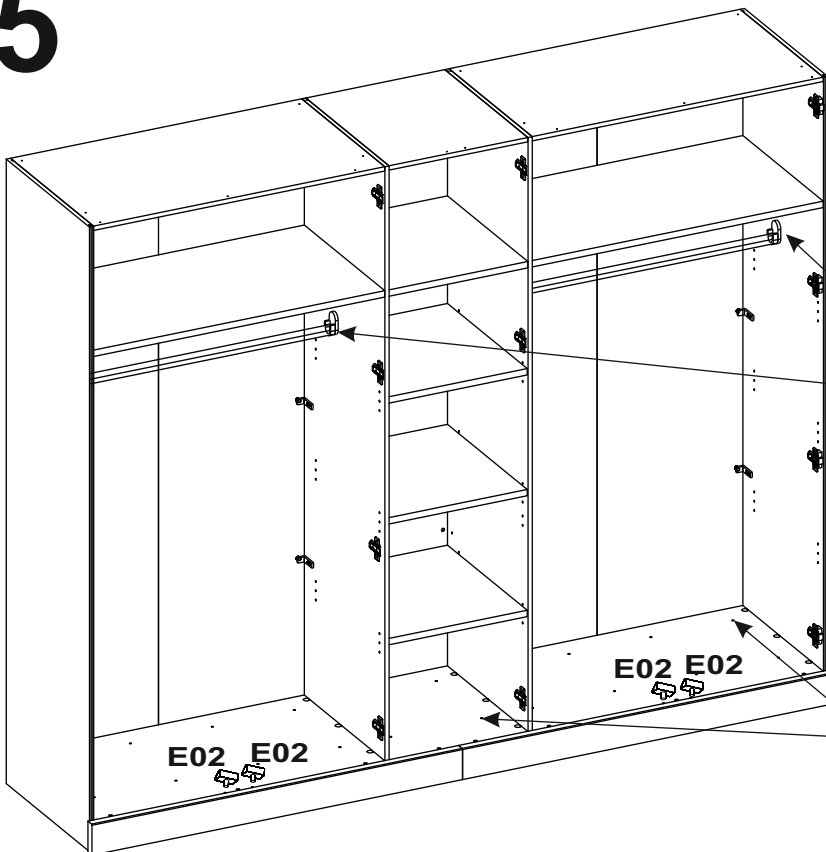
- 2x W20
- 6,3x9,5
- 2x R02



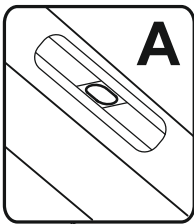
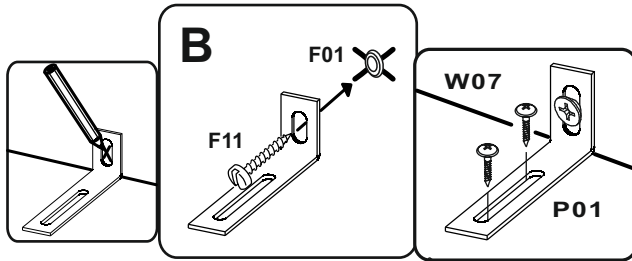
14








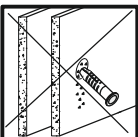
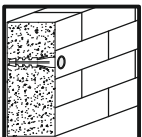
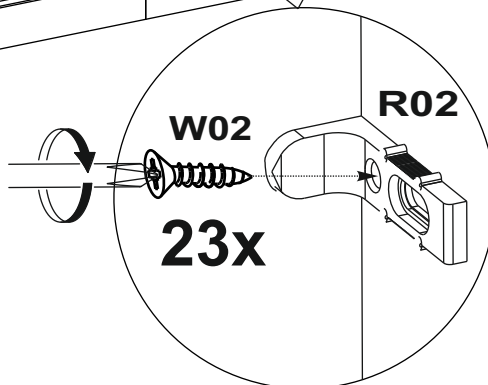
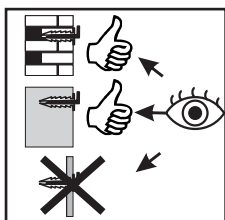
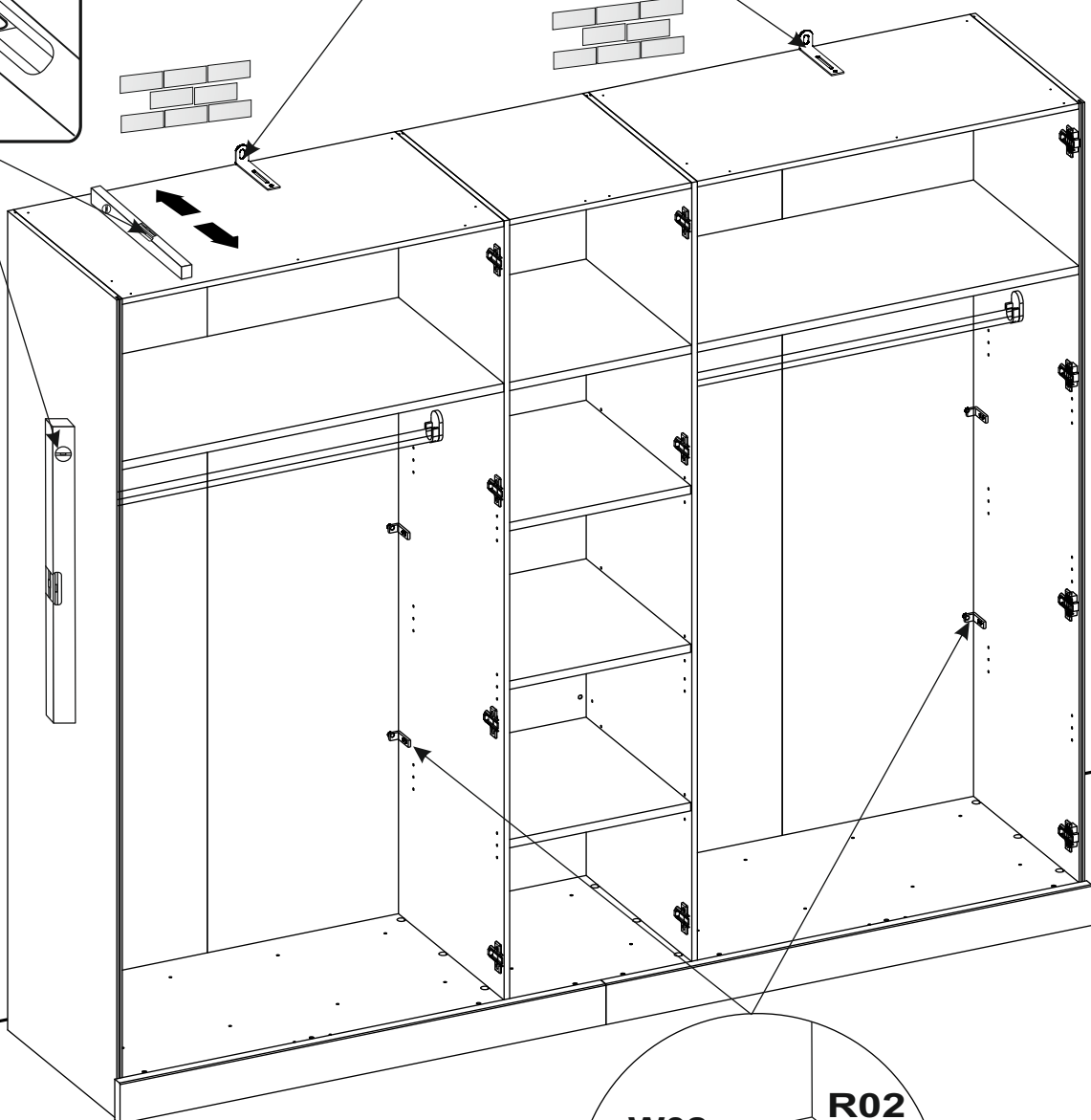
15



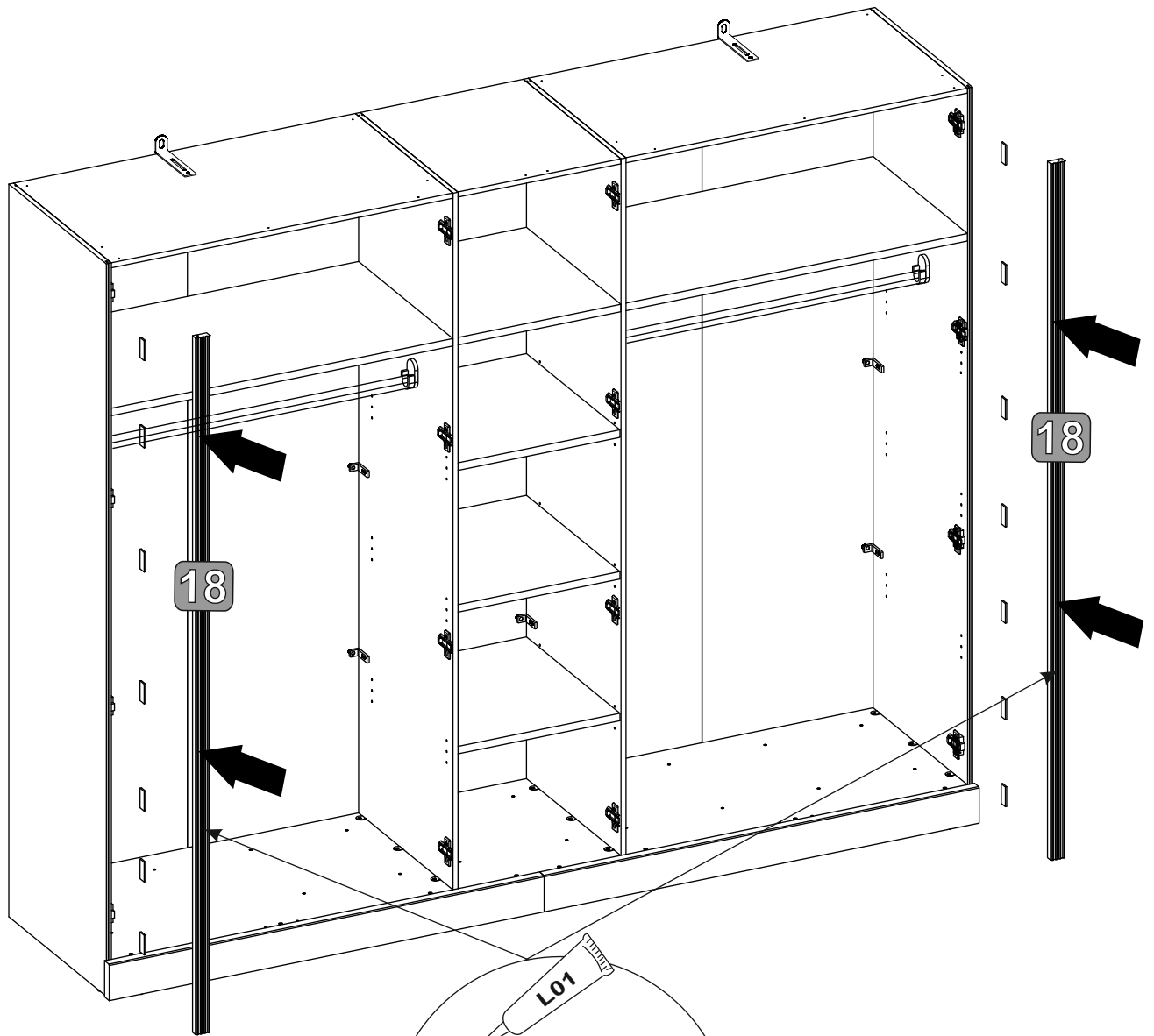
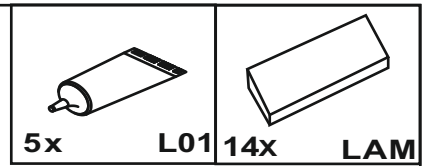
## 16



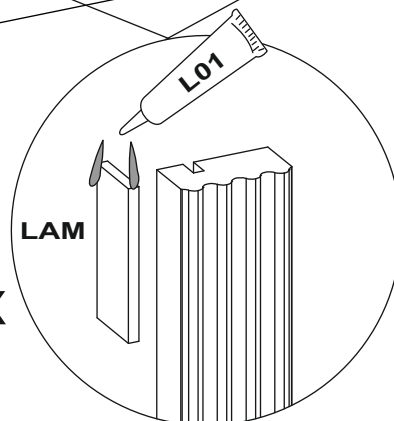
 2x F11	 23x W02
 2x F01	 2x P01
 4x W07	



17

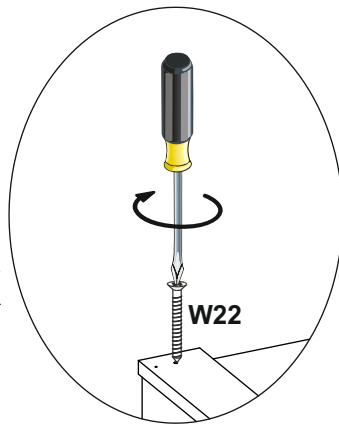


14x

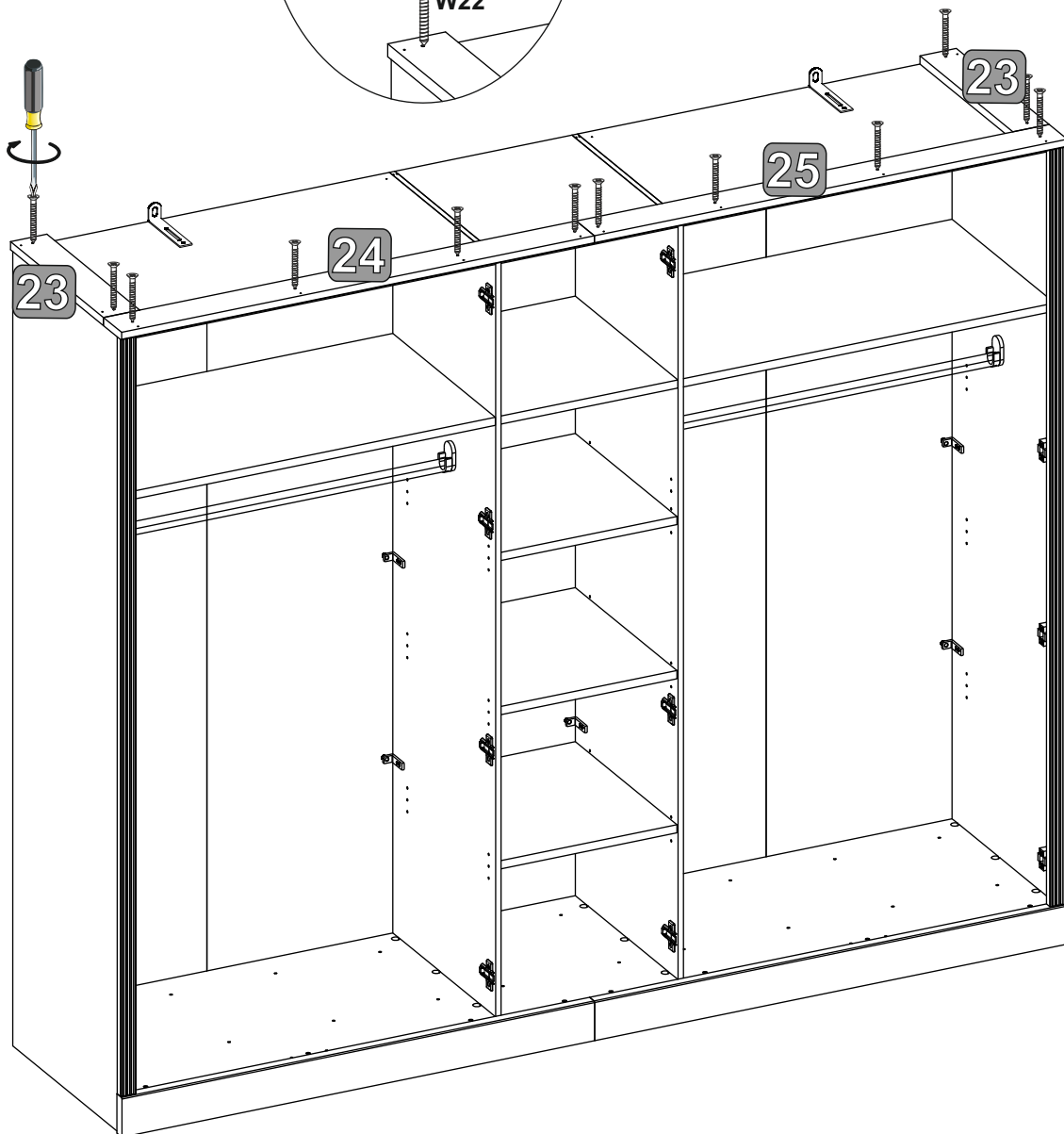


# 18

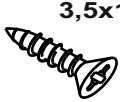
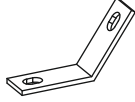
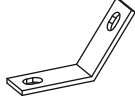
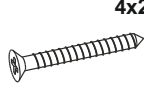
4x35  
12x W22

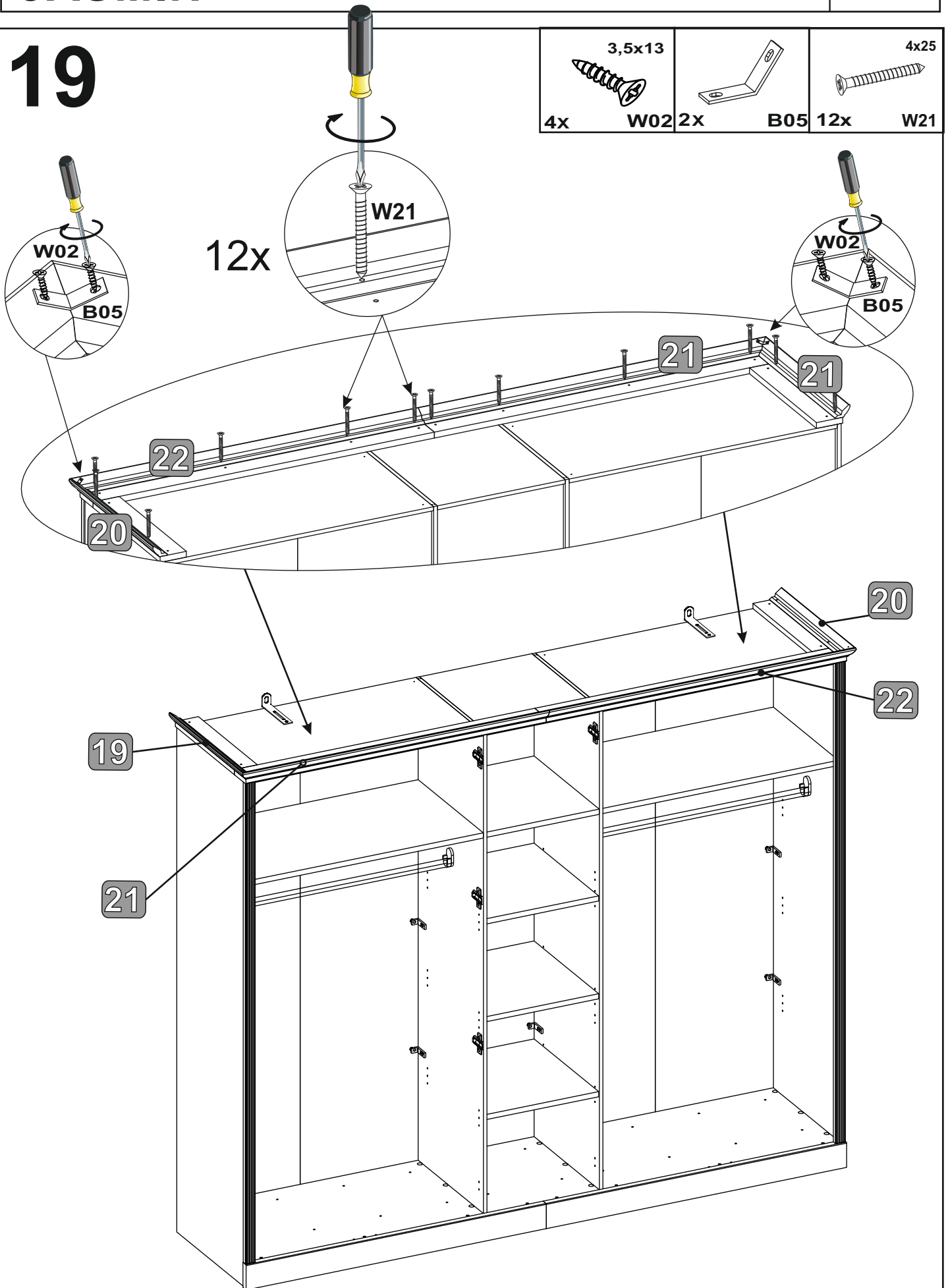


12x



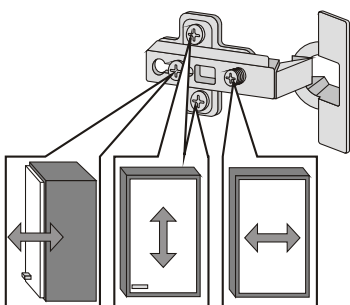
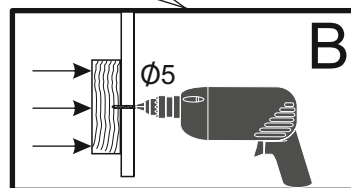
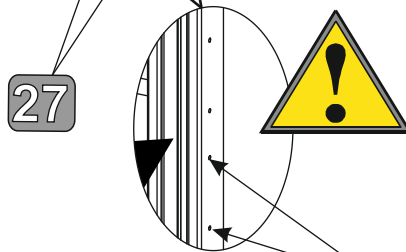
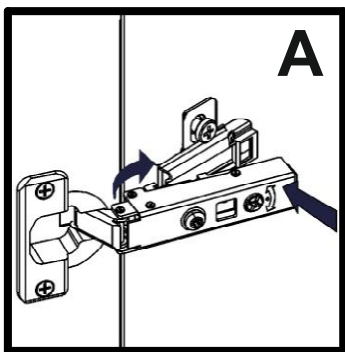
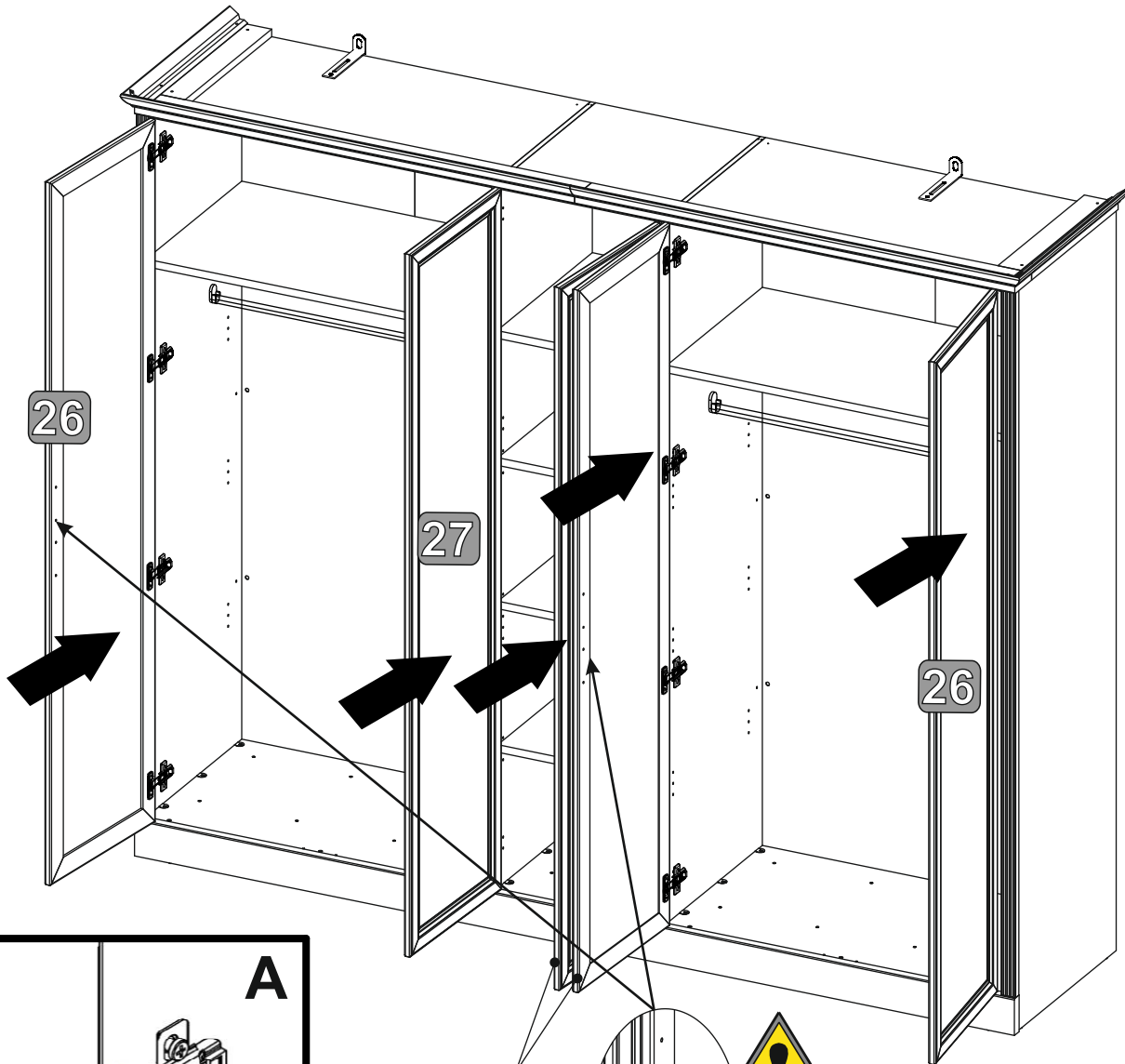
## 19

 3,5x13 4x	 W02 2x	 B05 12x	 W21 4x25
--	--	---	--


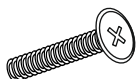




# 20



21

	
5x	10x
U39	Y02

