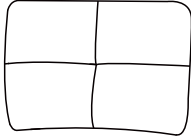
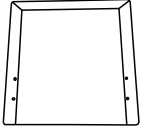

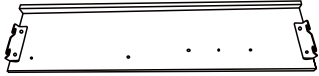
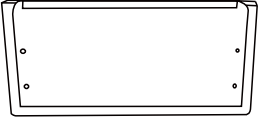
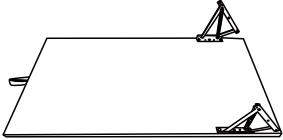


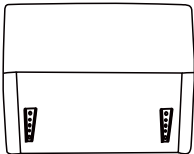
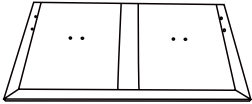
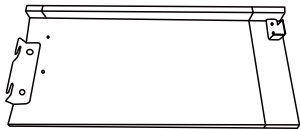


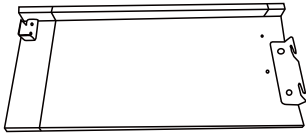
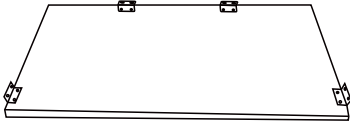

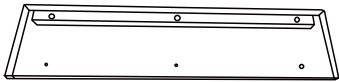

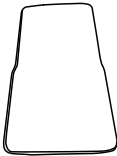
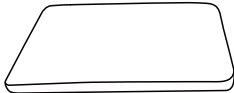
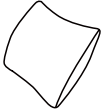

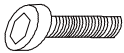


Assembly Instructions

Parts List

A		Back cushion	3
B		Back frame	1
C		Right panel	1
D		Left panel	1
E		Seat frame	1
F		Cover plate	1
G		Baseboard	1
H		Batten	2
I		Arm	2
J		Back frame	1
K		Right panel	1

Assembly Instructions

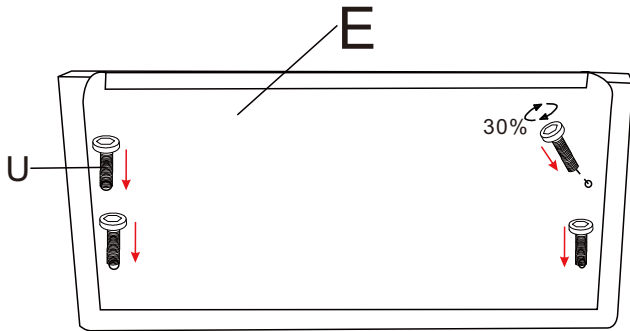
Parts List

L		Left panel	1
M		Cover plate	1
N		Seat	1
O		Seat frame	1
P		Sit on a soft bag	1
Q		Cushion	1
R		Cushion	1
S		Pillow	2
T		Foot	8
U		Screw	26
V		Screw	7
W		Wrench	1

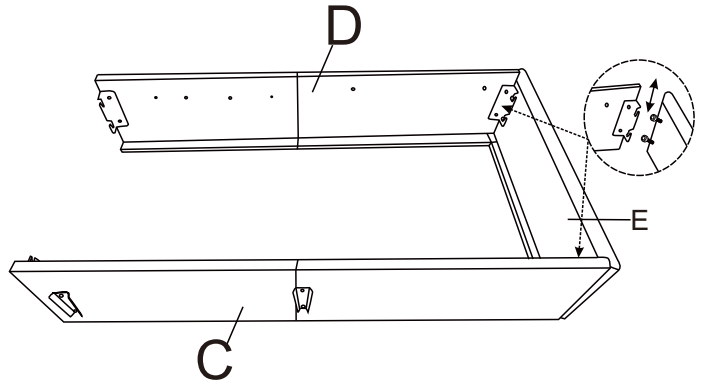
Assembly Steps

Step 1

Screw 30 percent

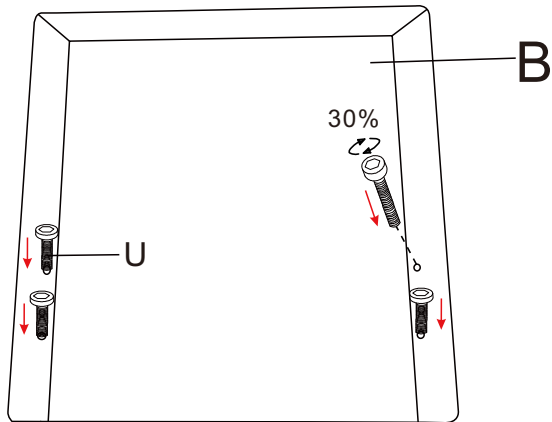


Step 2

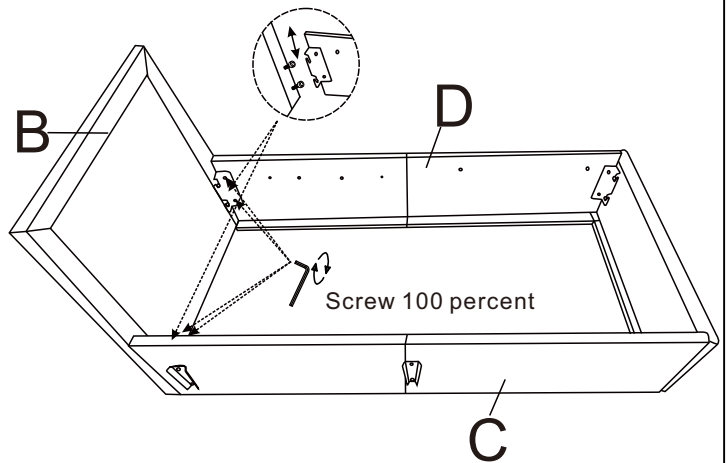


Step 3

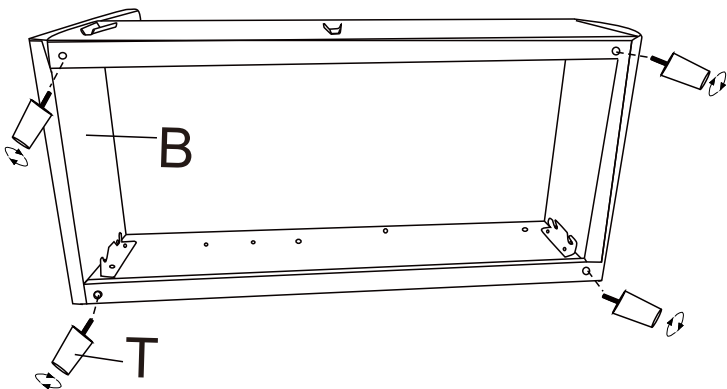
Screw 30 percent



Step 4

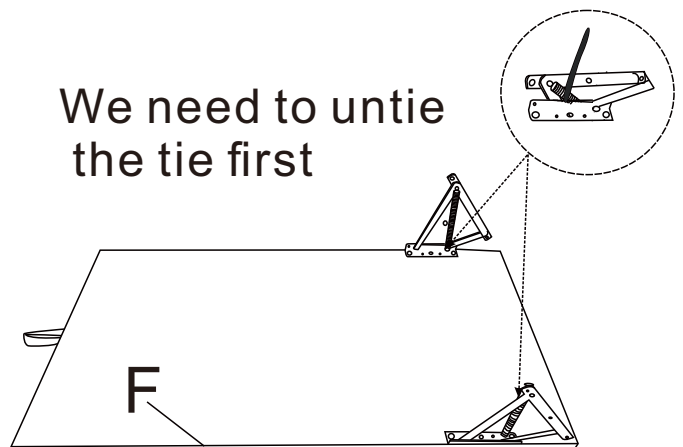


Step 5



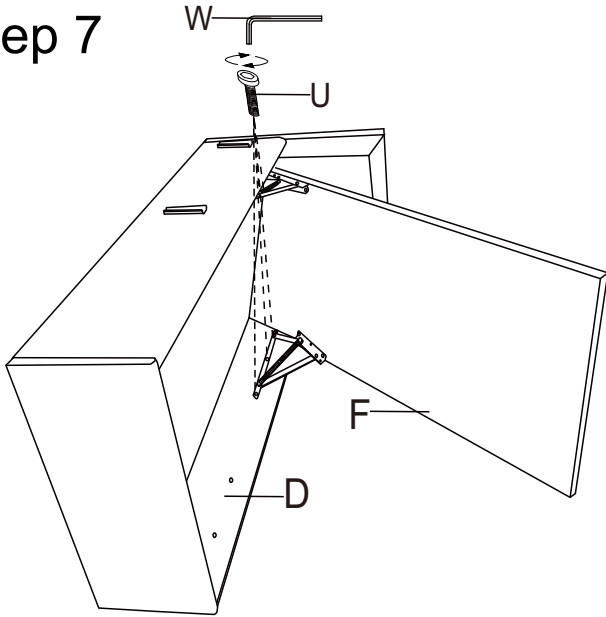
Step 6

We need to untie the tie first

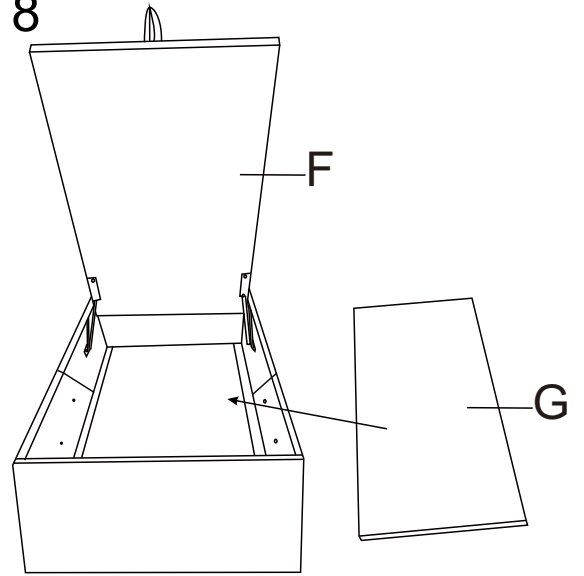


Assembly Steps

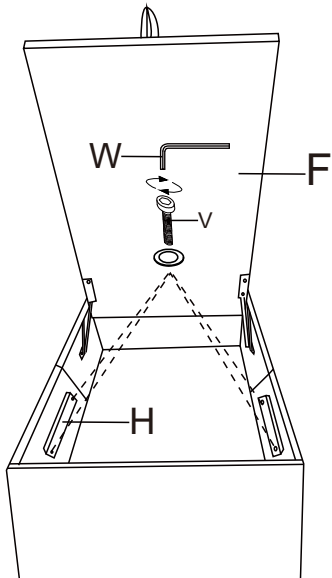
Step 7



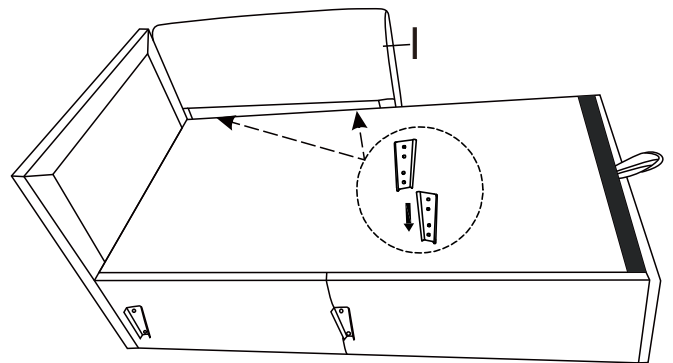
Step 8



Step 9

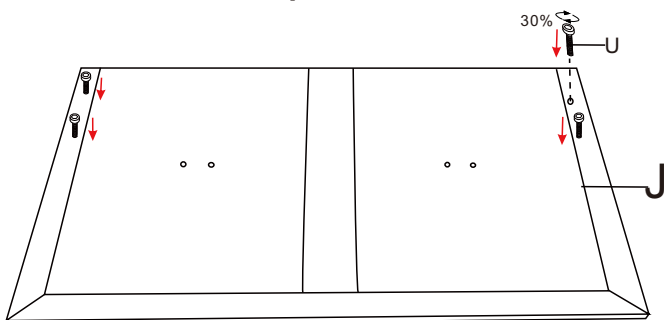


Step 10

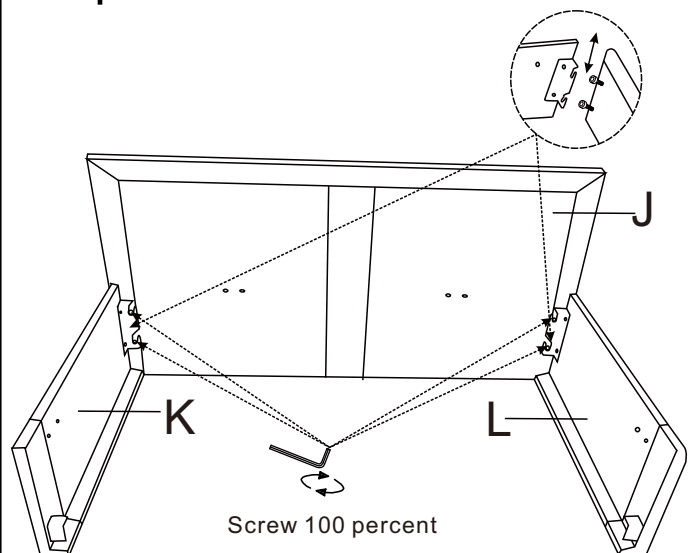


Step 11

Screw 30 percent

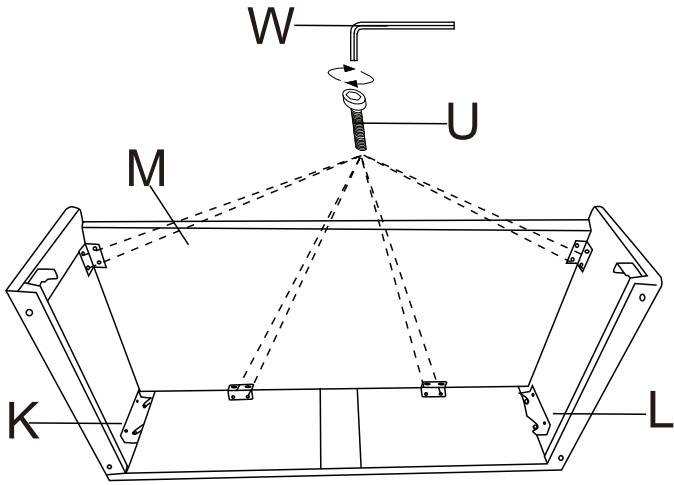


Step 12

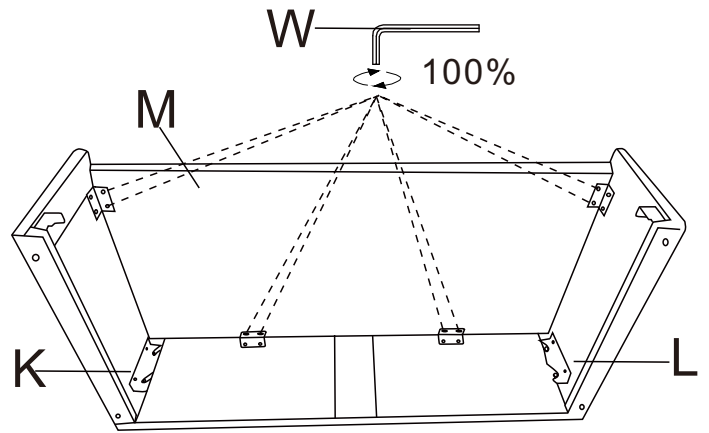


Assembly Steps

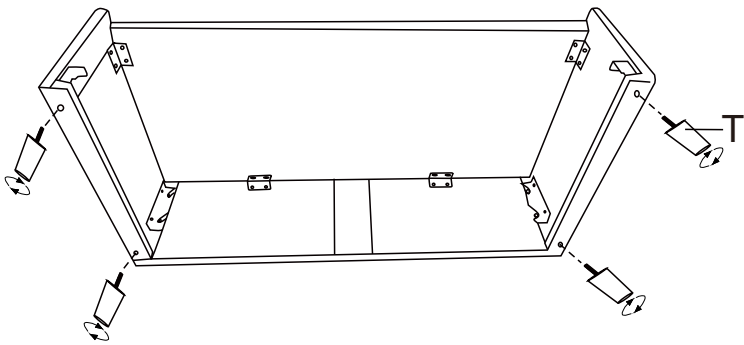
Step 13



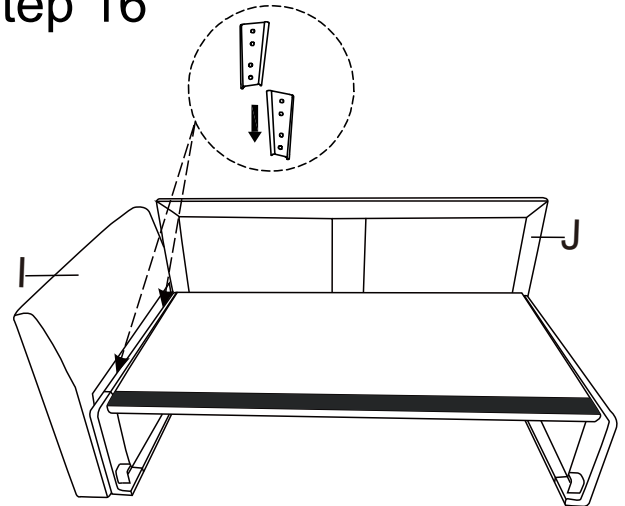
Step 14



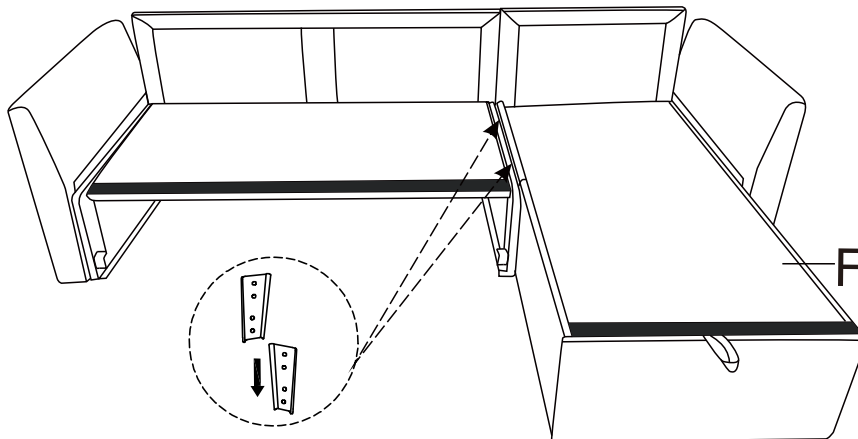
Step 15



Step 16

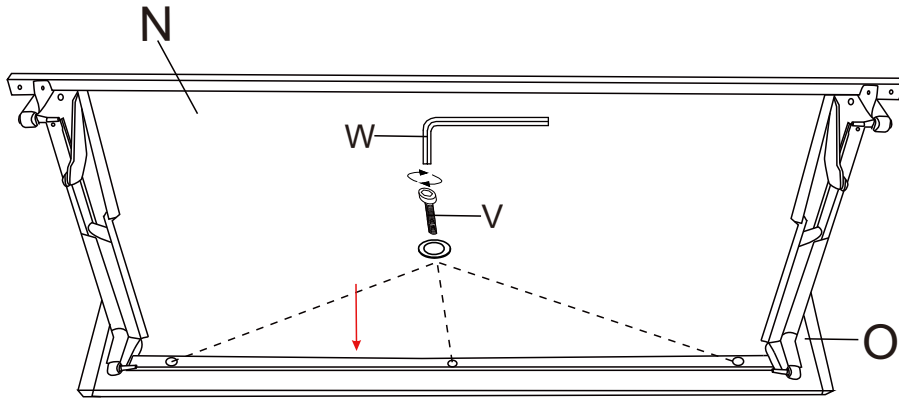


Step 17

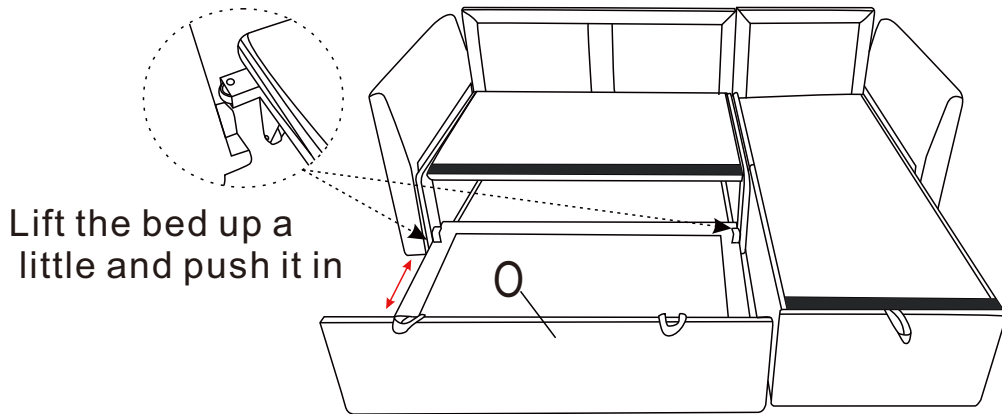


Assembly Steps

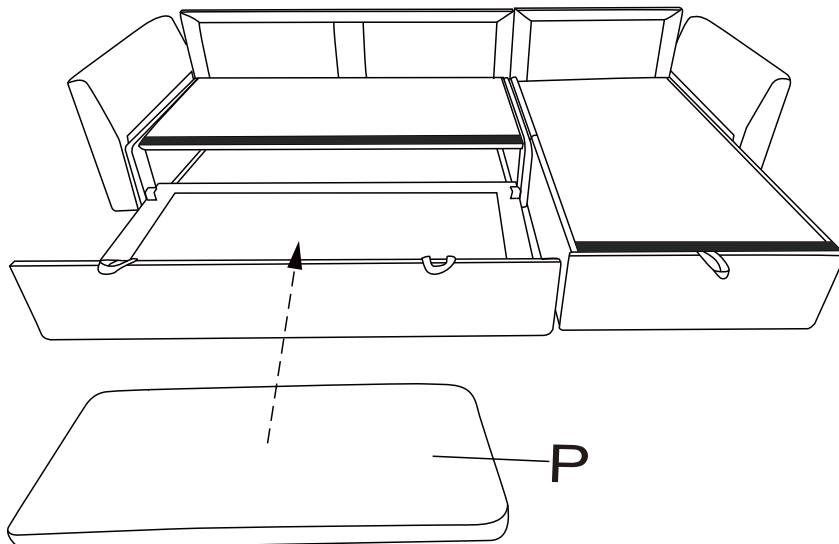
Step 18



Step 19

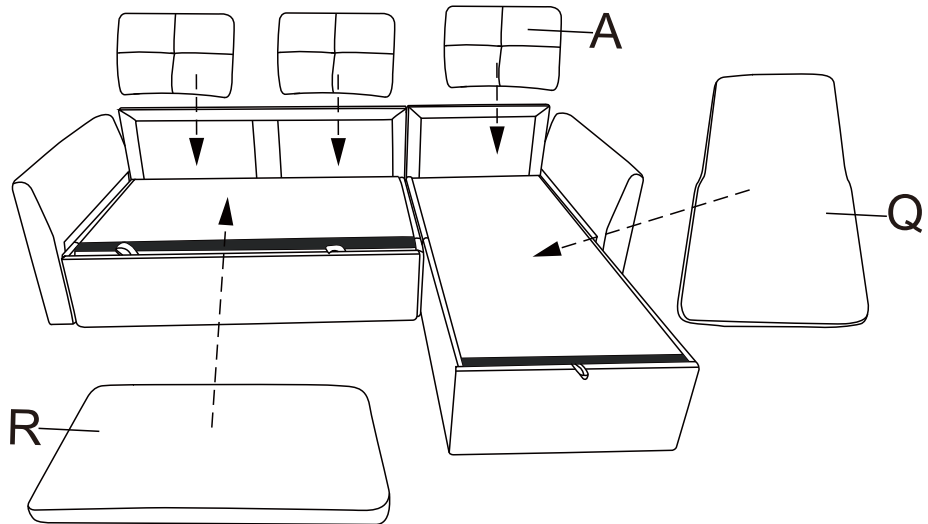


Step 20

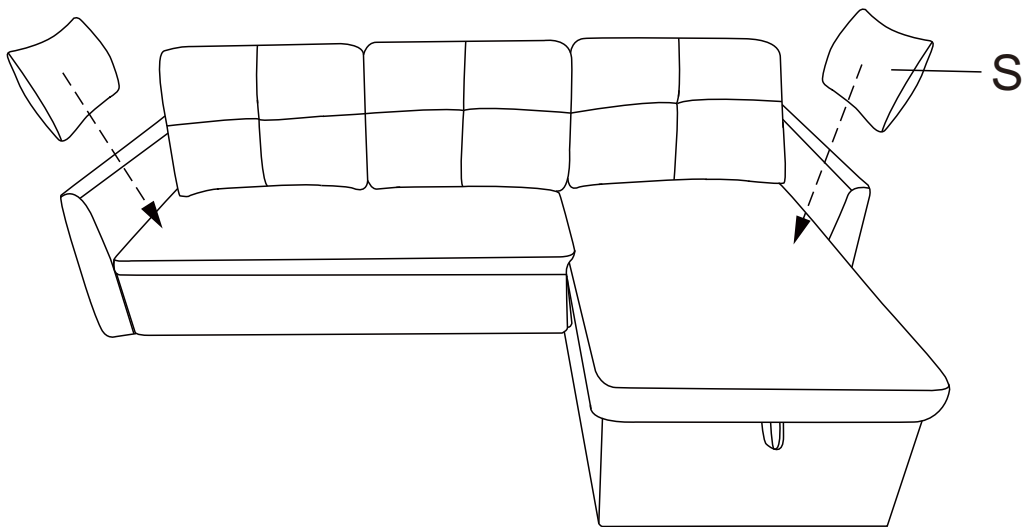


Assembly Steps

Step 21



Step 22



Step 23

