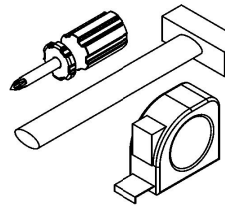
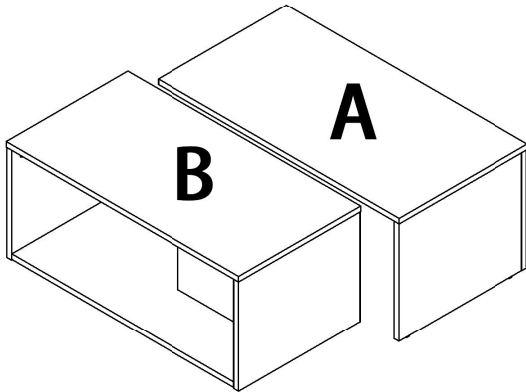


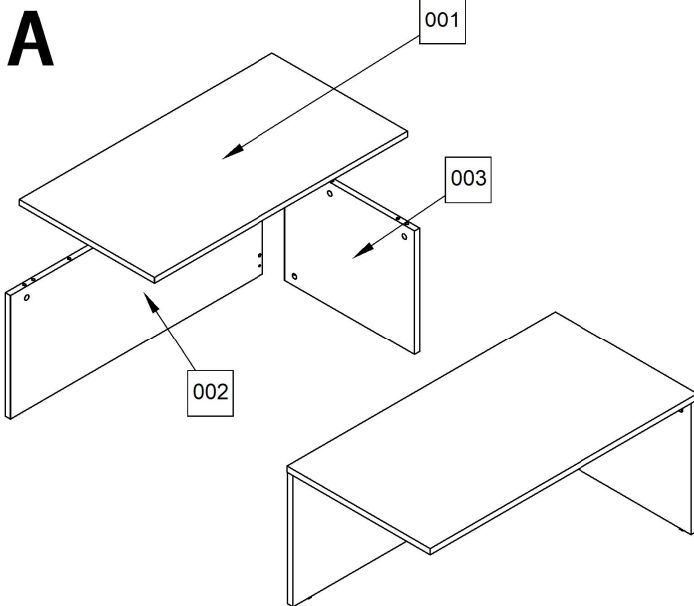
- 30 min.

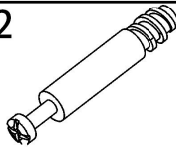

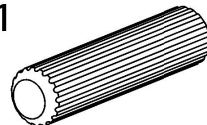

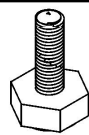



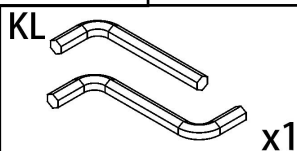
RTV S90



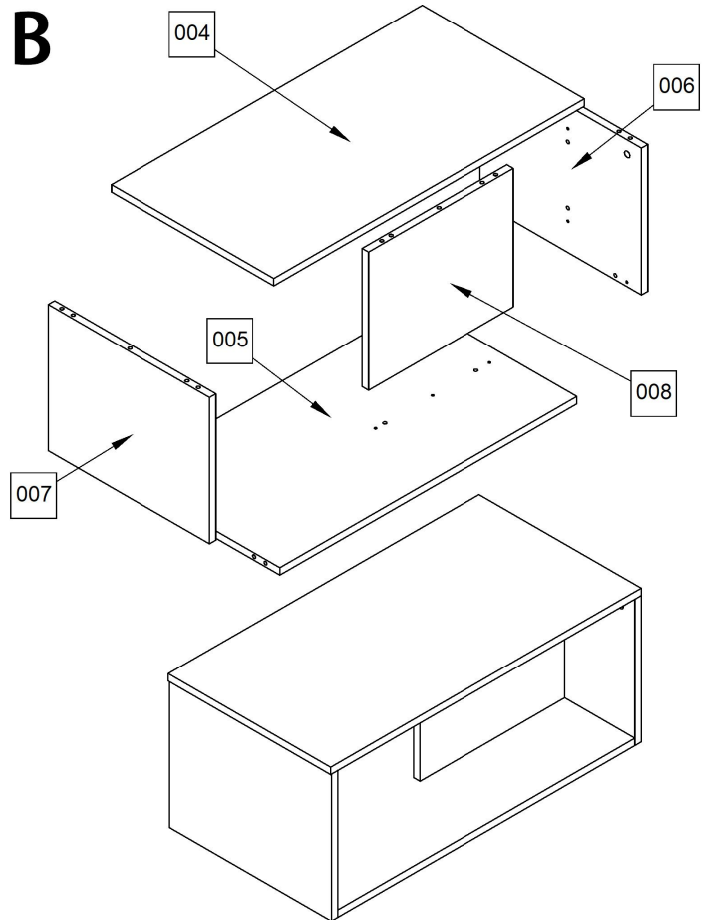
Number	Qty	Size A	Size B
001	1	900	480
002	1	898	382
003	1	382	460

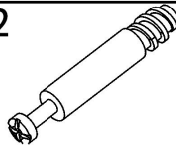

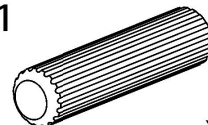
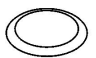
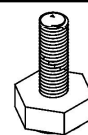



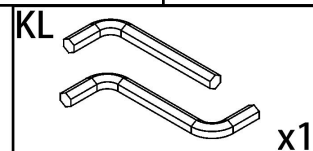
M2  x9	M1  x9
K1  x8	M3  x9
R6  x4	MF  x4


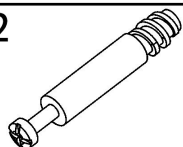
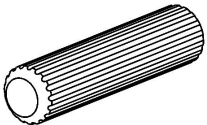

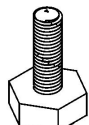


Number	Qty	Size A	Size B
004	1	871	455
005	1	833	451
006	1	356	453
007	1	356	453
008	1	406	336

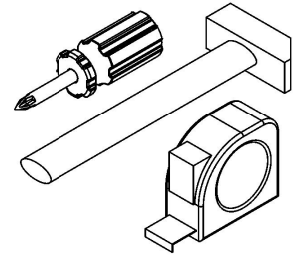
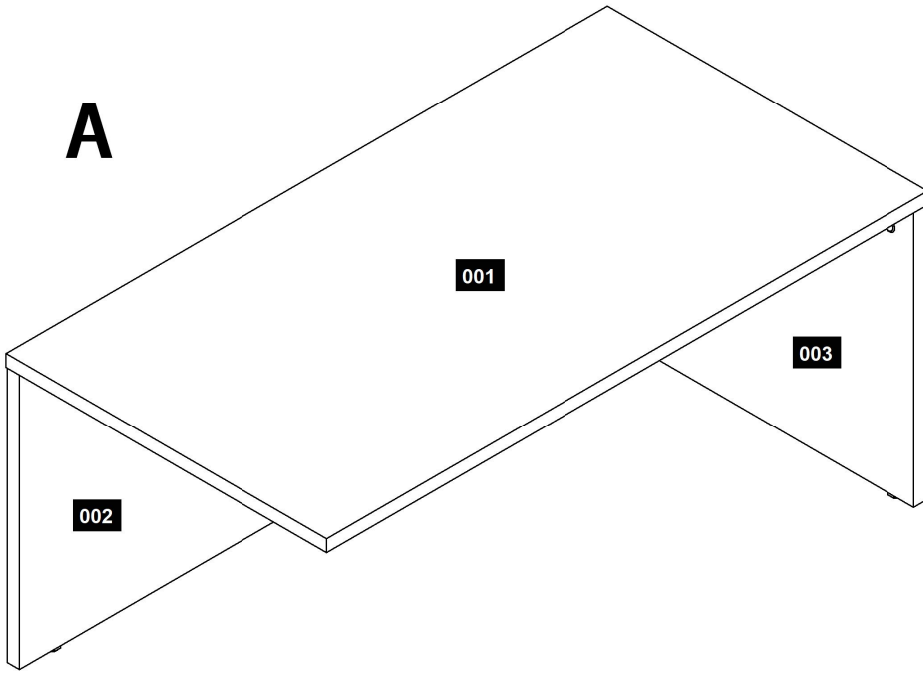


M2  x18	M1  x18
K1  x14	M3  x18
R6  x4	MF  x4

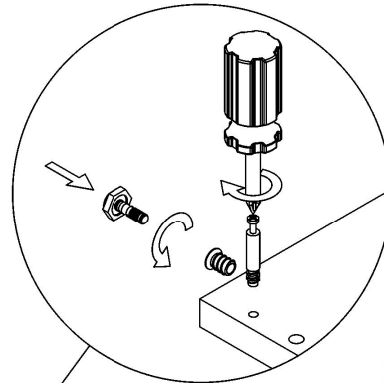
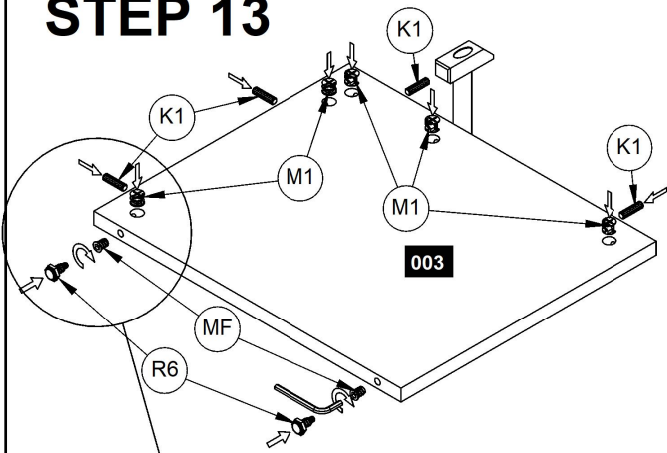


M1  x9	M2  x9	K1  x8	MF  x4	R6  x4
---	---	---	---	---

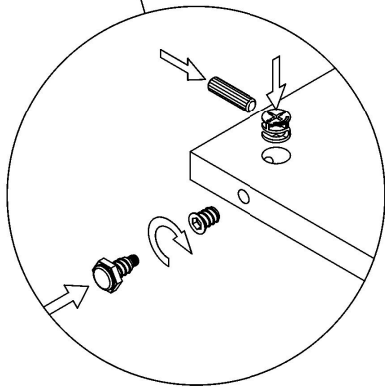
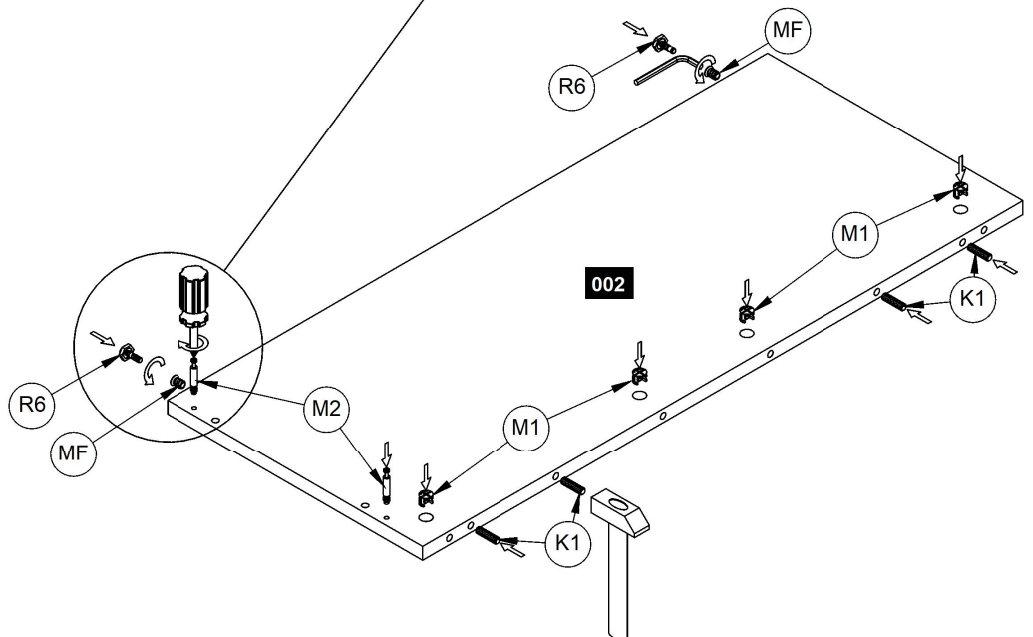
A

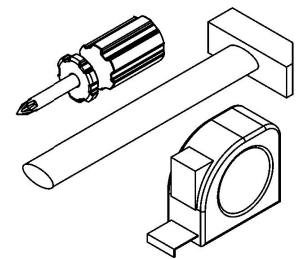
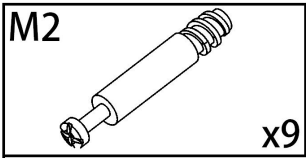


STEP 13

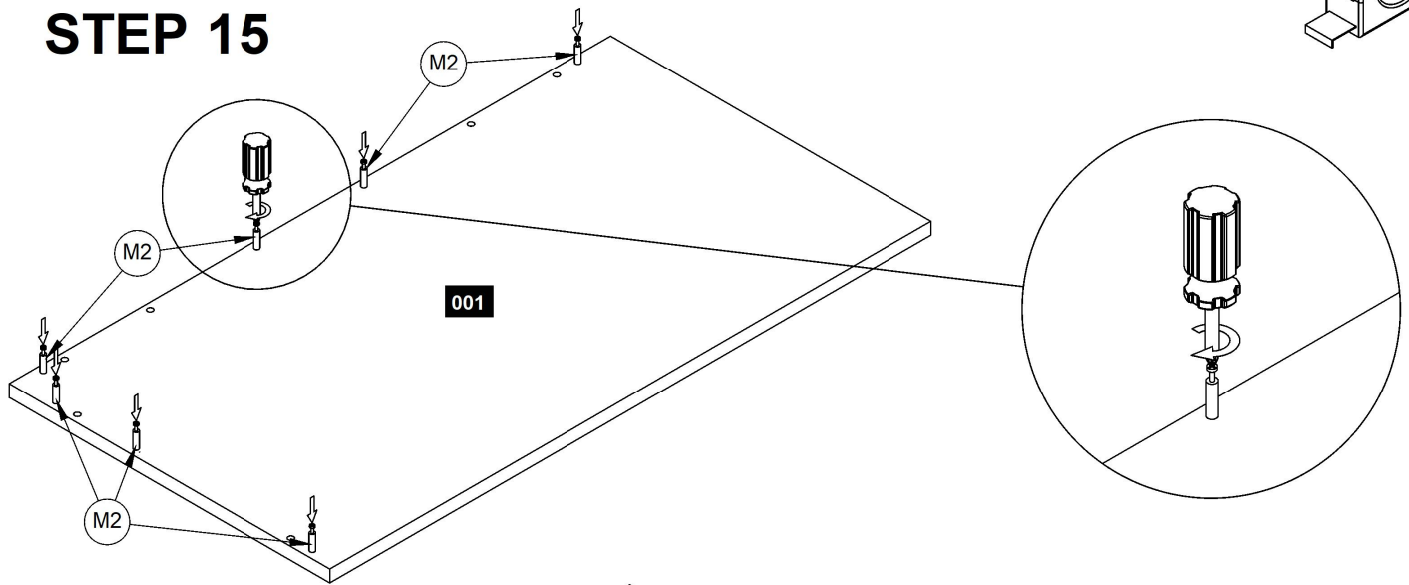


STEP 14

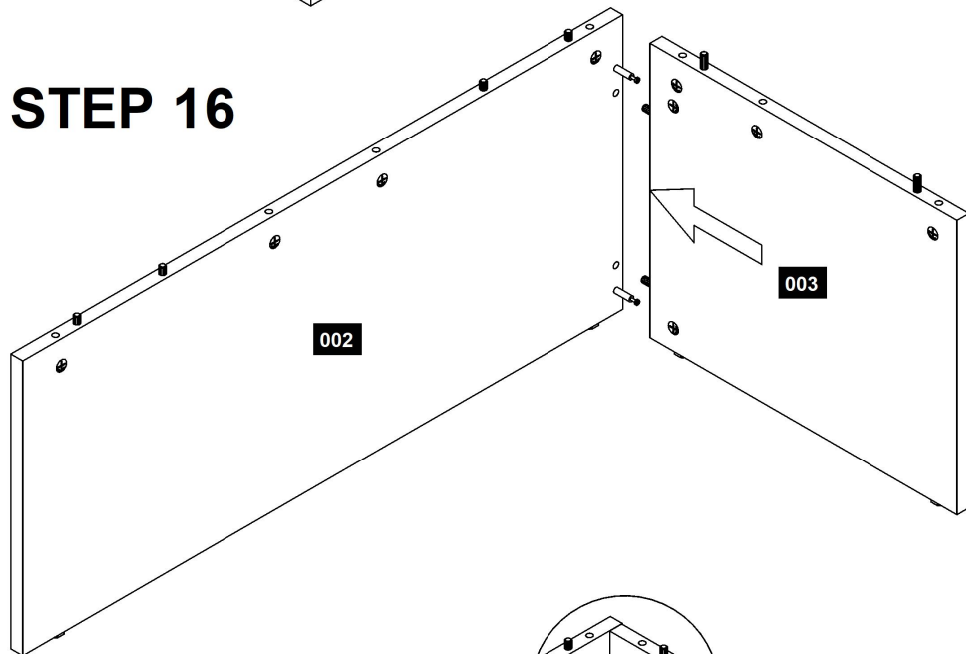




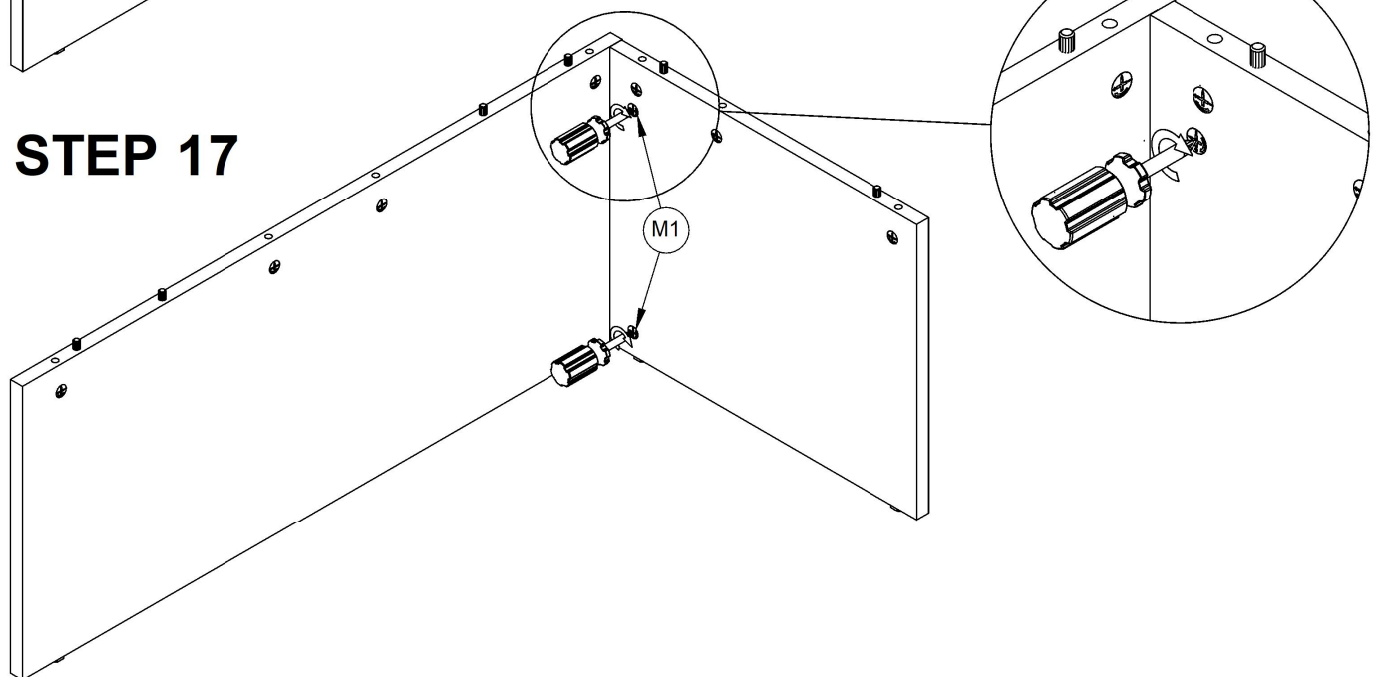
STEP 15



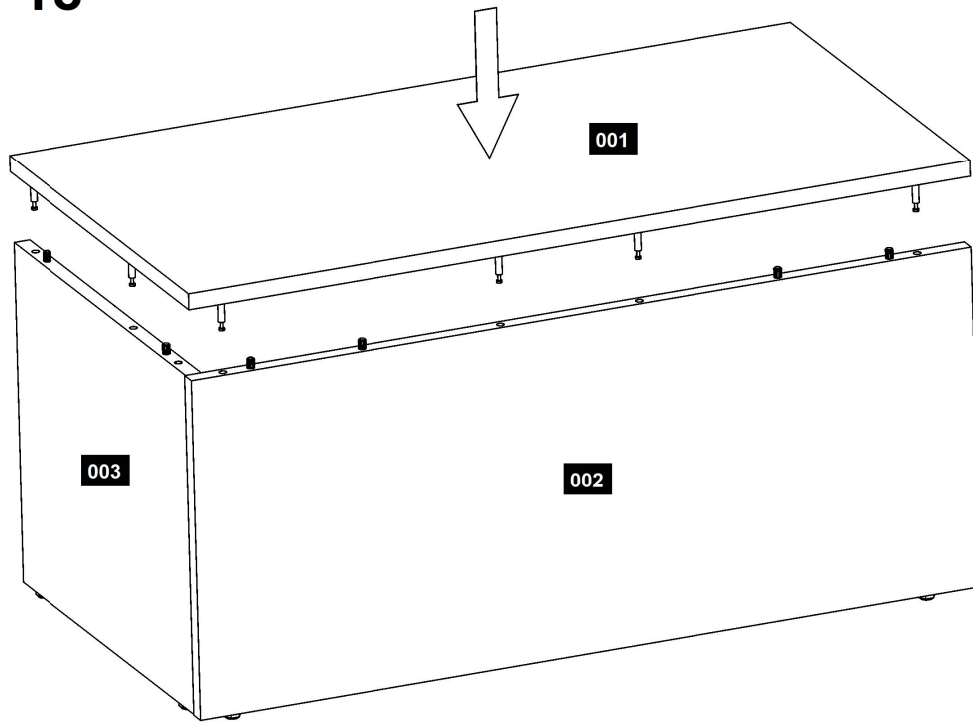
STEP 16



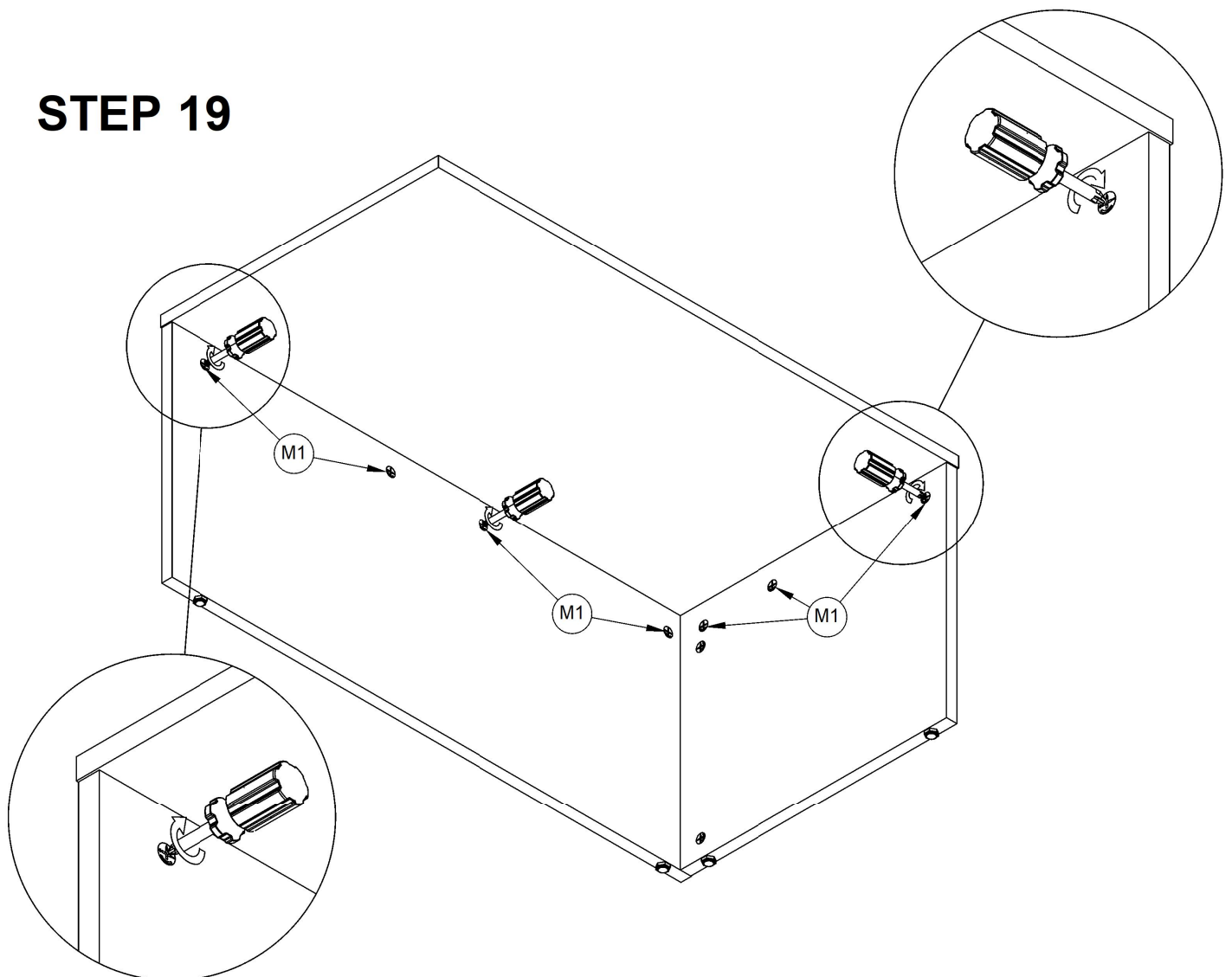
STEP 17



STEP 18



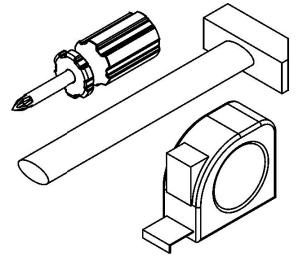
STEP 19



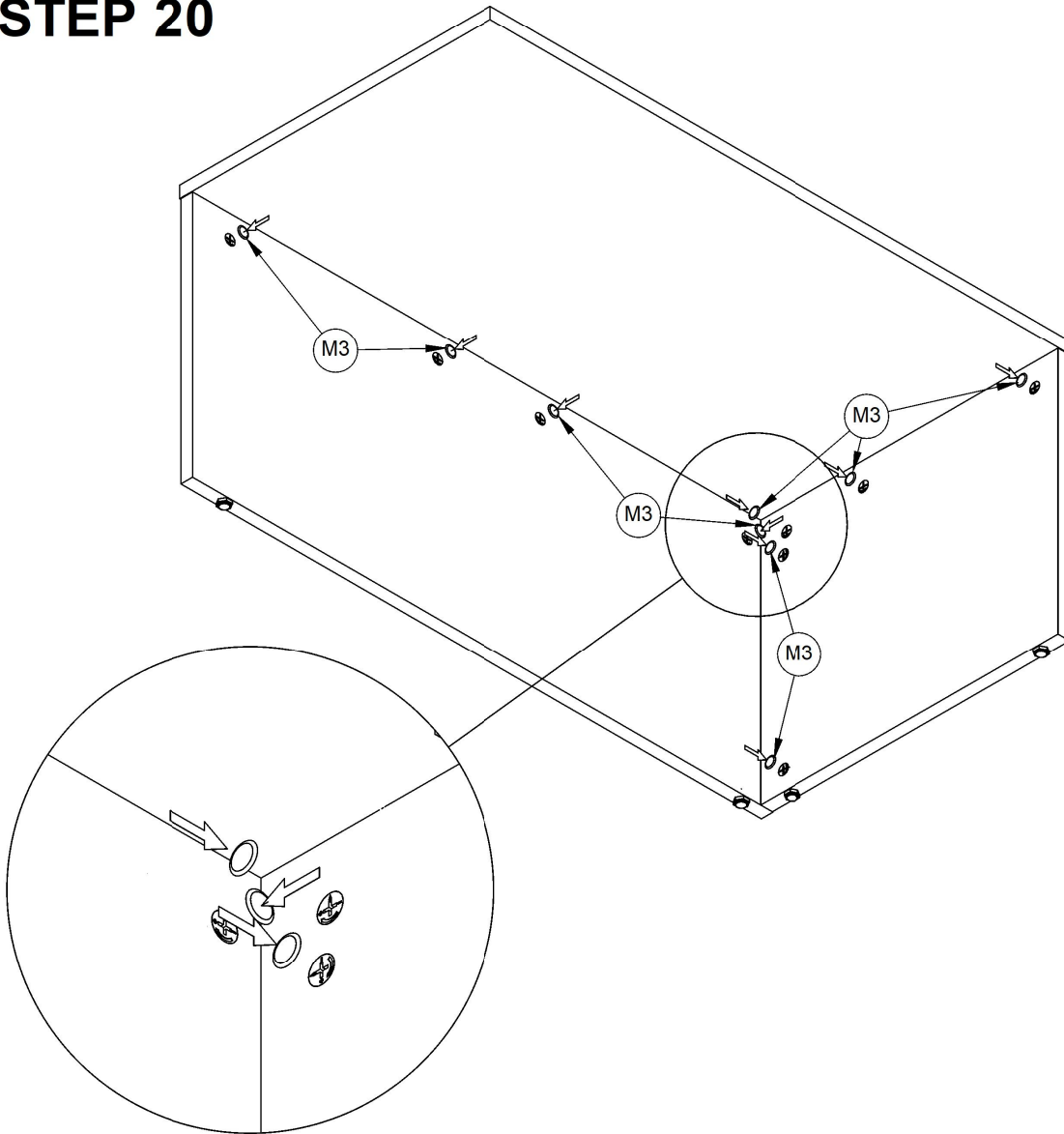
M3


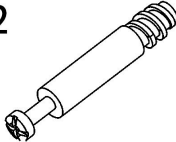

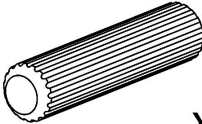
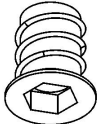


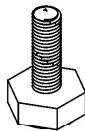
x9



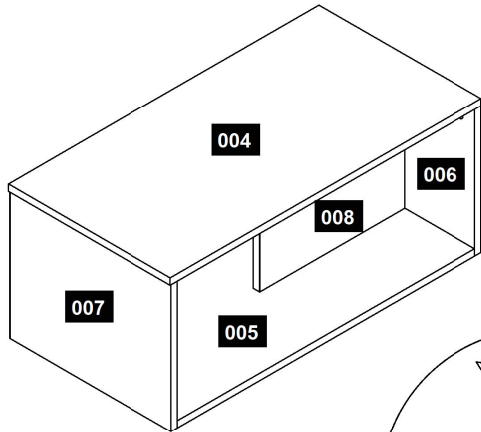
STEP 20



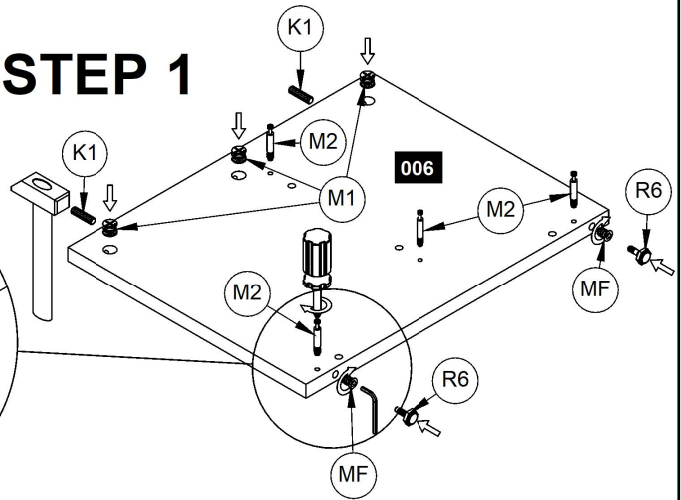
M1  x19	M2  x19	M3  x19	K1  x14	MF  x4
---	---	---	--	--

R6  x4

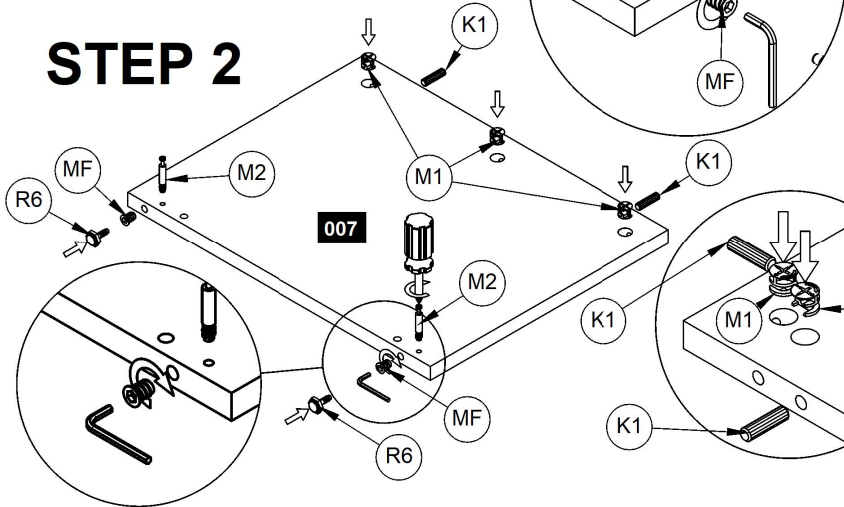
B



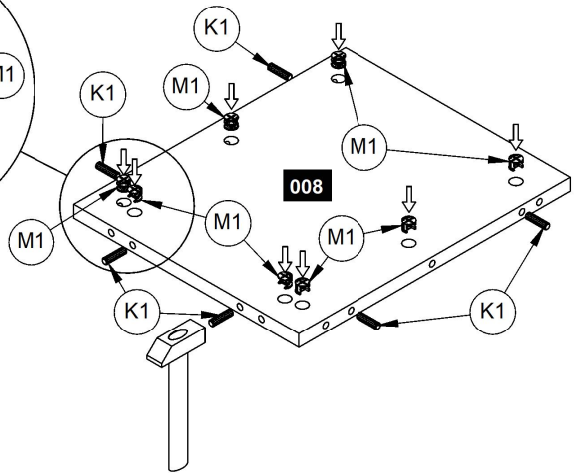
STEP 1



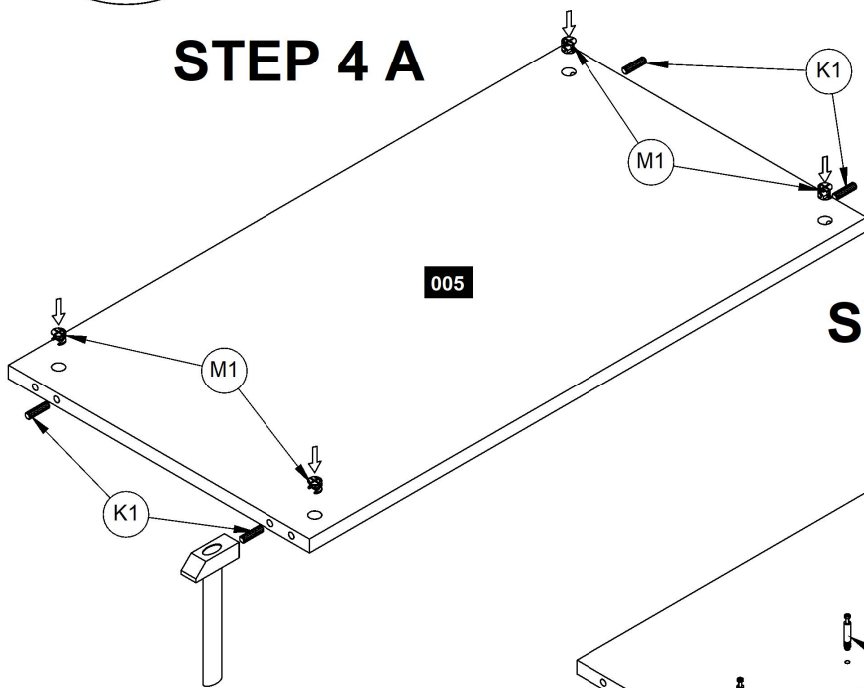
STEP 2



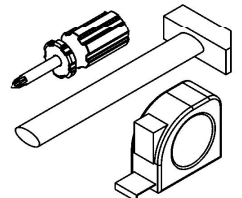
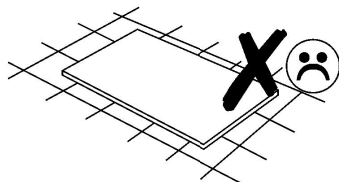
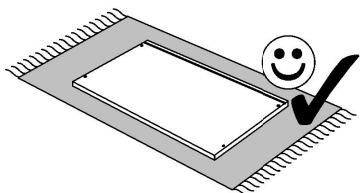
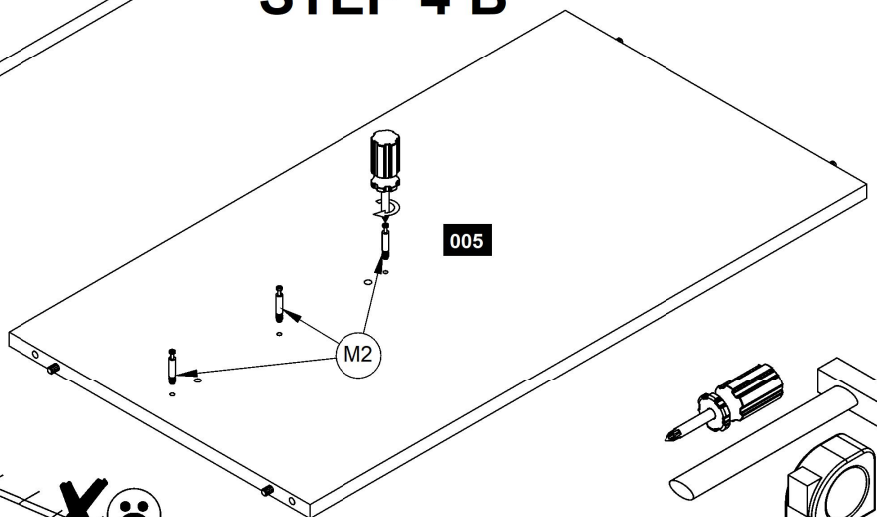
STEP 3

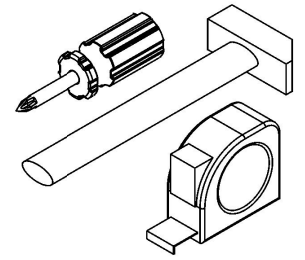
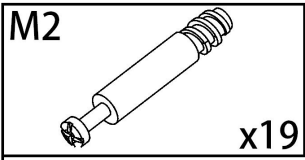


STEP 4 A

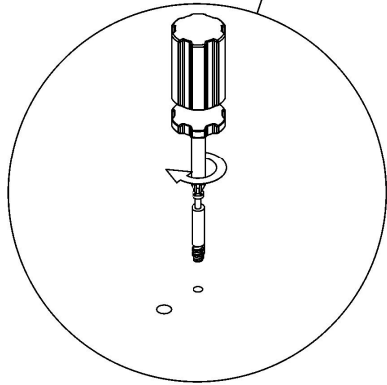
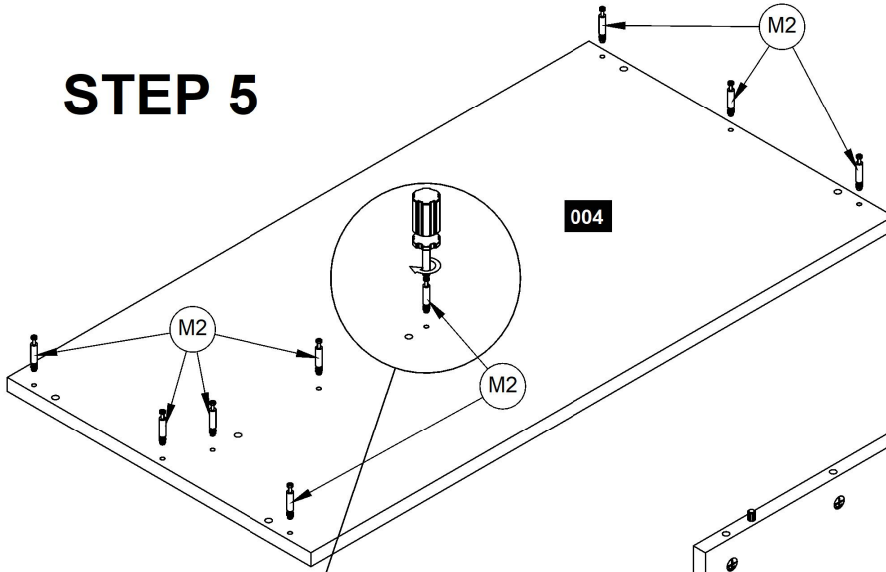


STEP 4 B

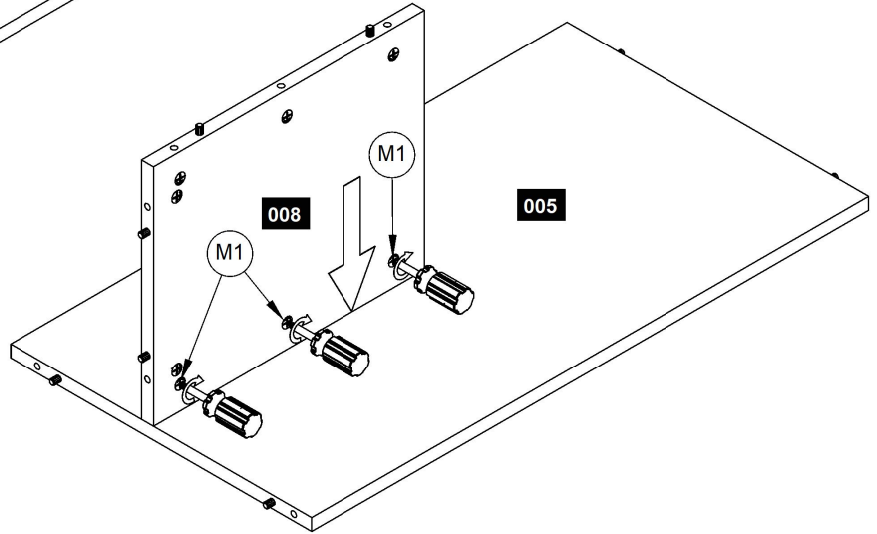




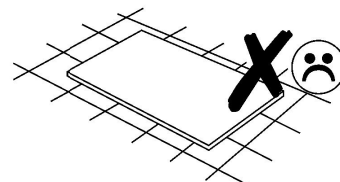
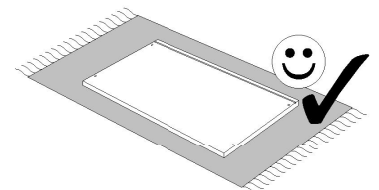
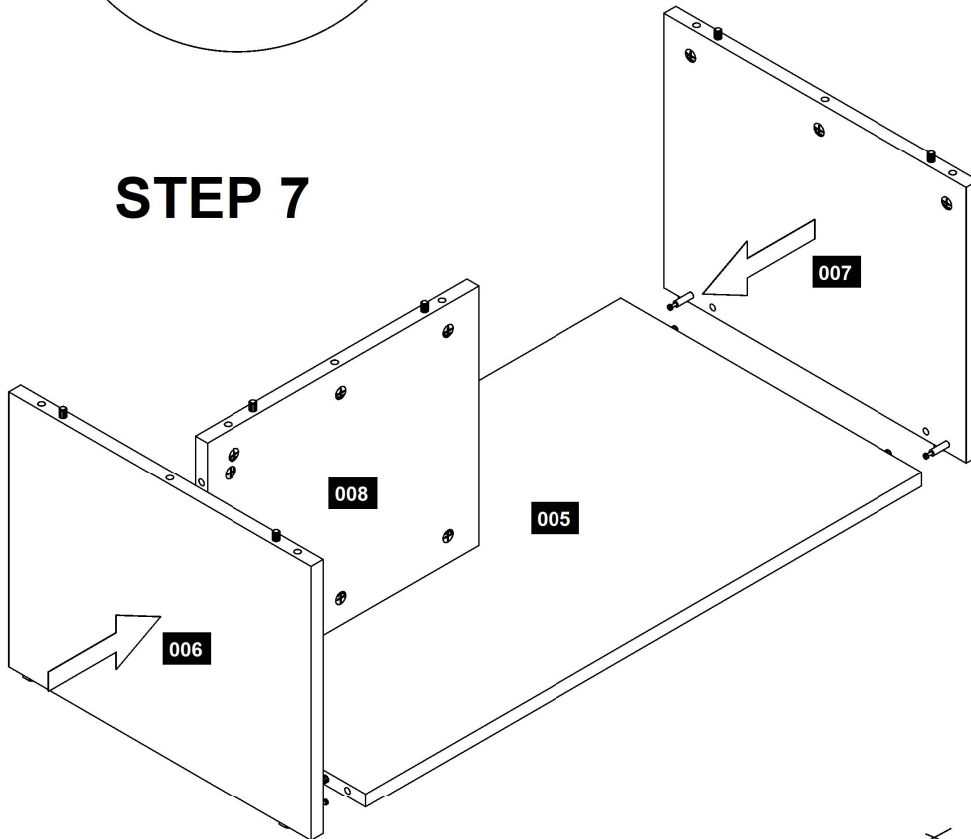
STEP 5



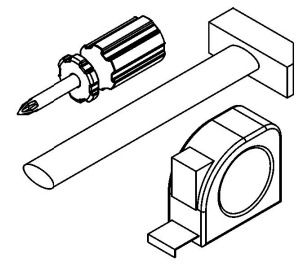
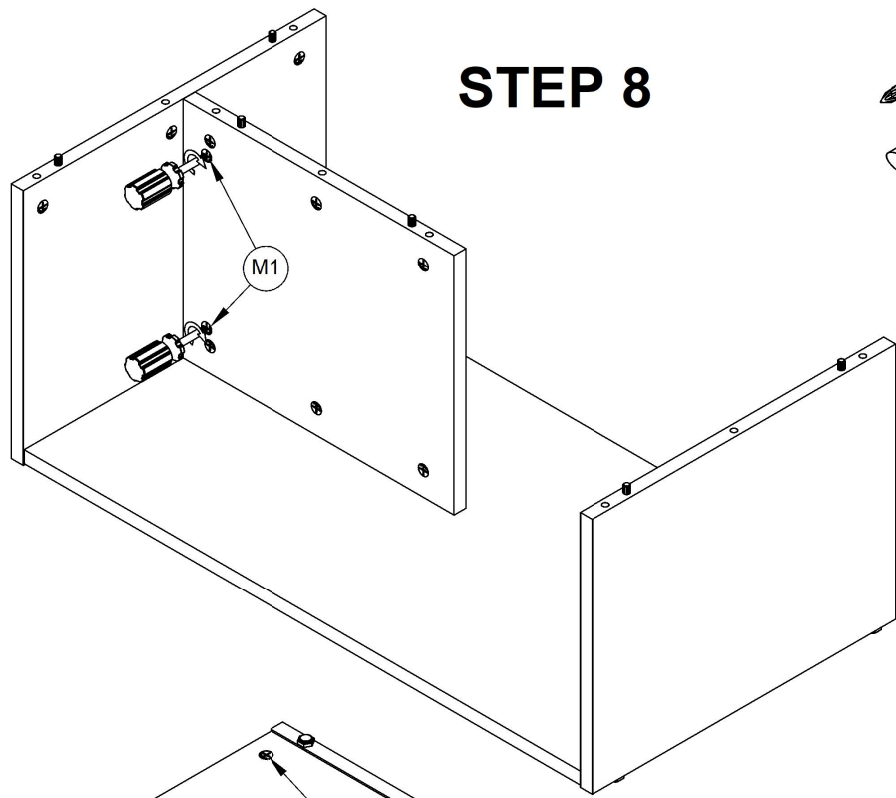
STEP 6



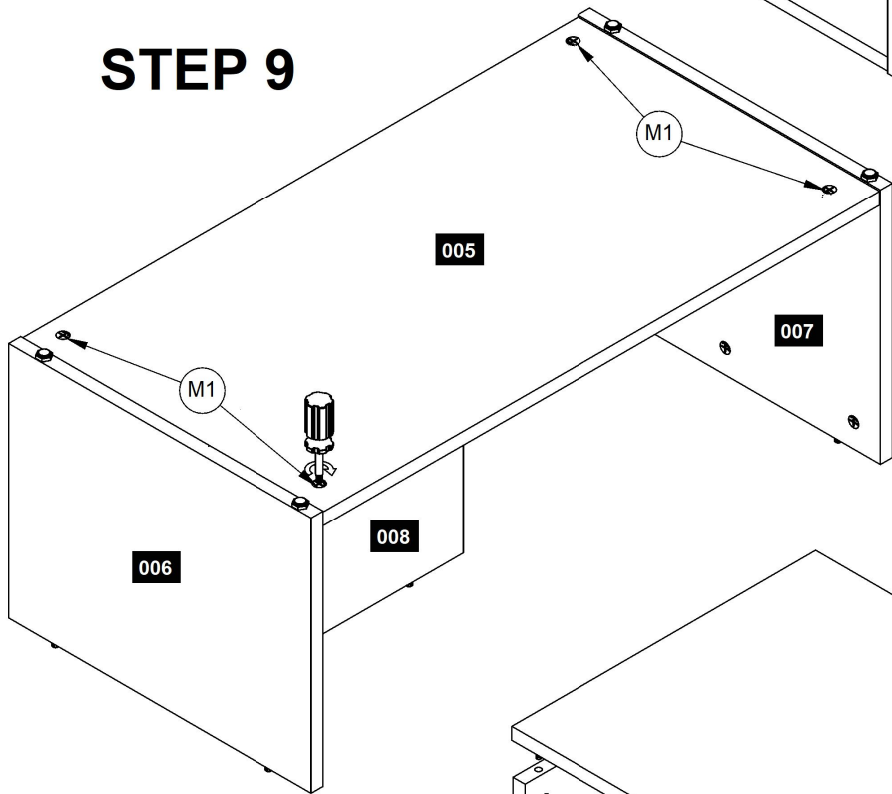
STEP 7



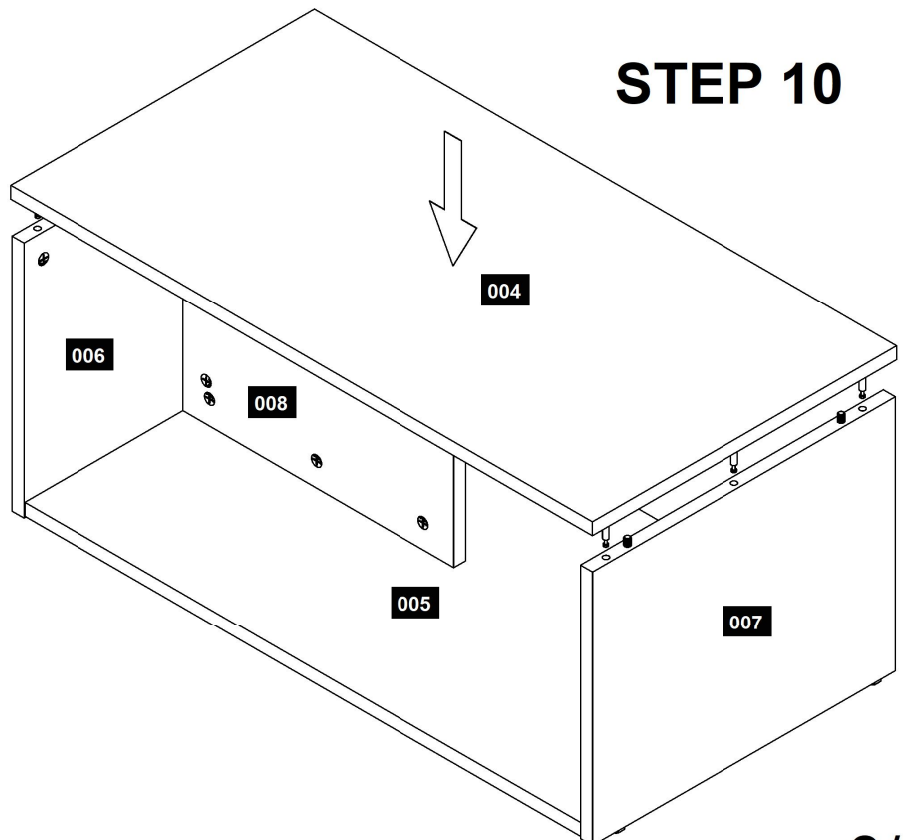
STEP 8



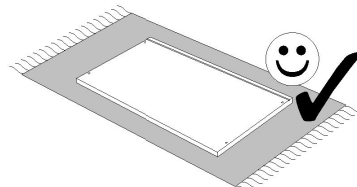
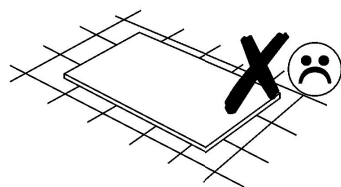
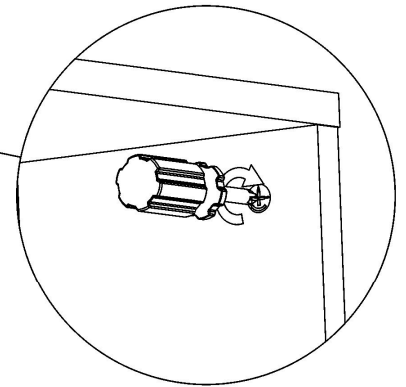
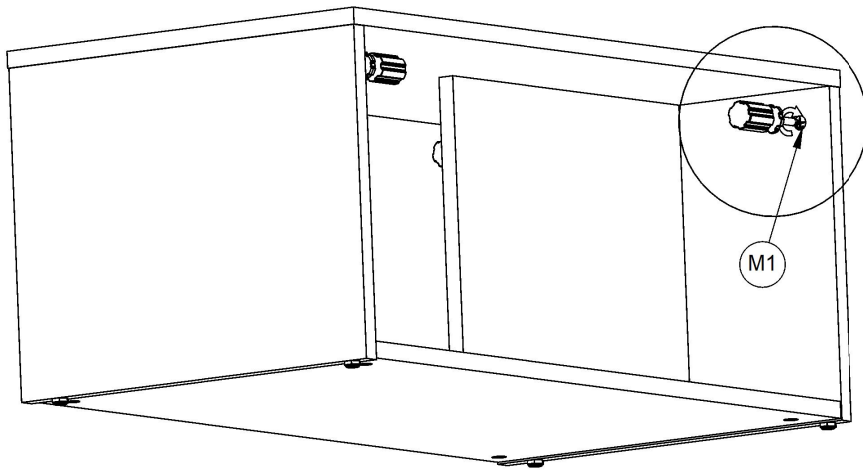
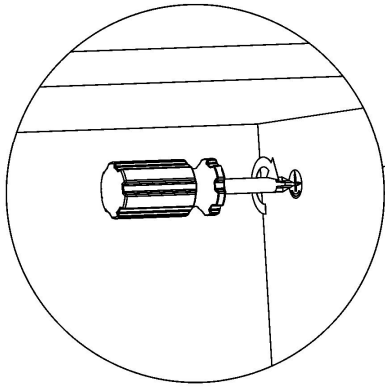
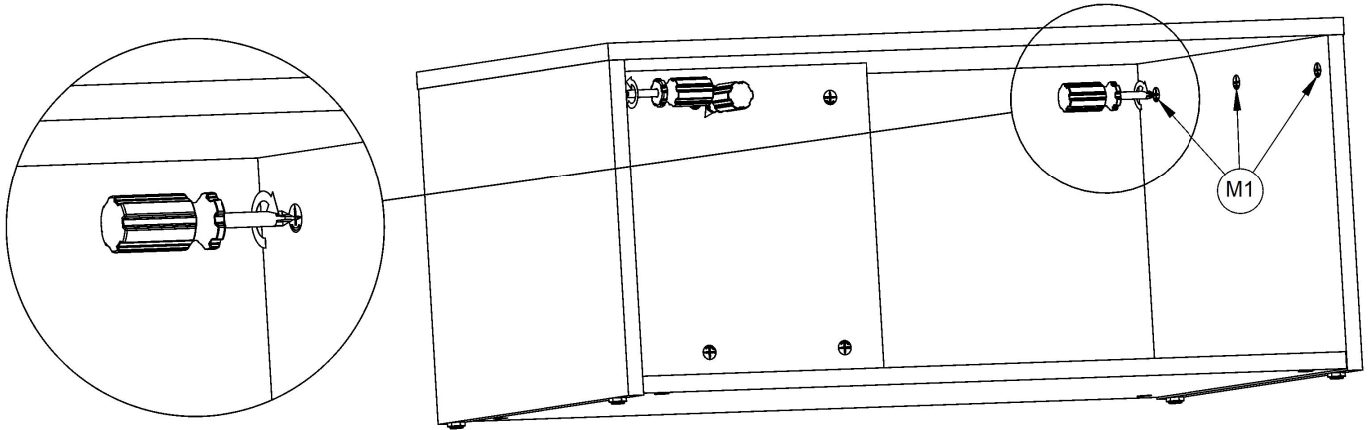
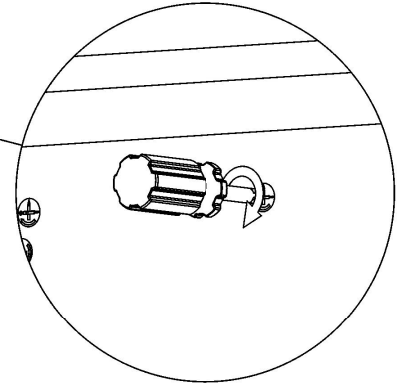
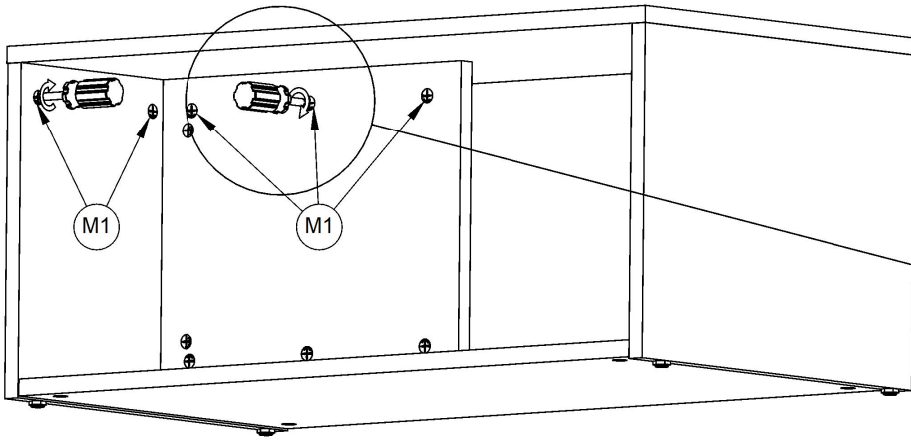
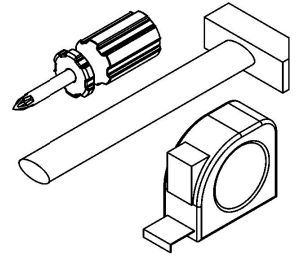
STEP 9



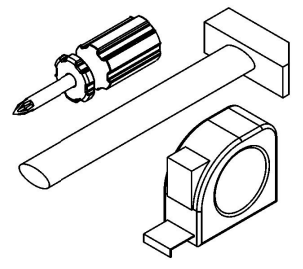
STEP 10



STEP 11



M3
x19



STEP 12

