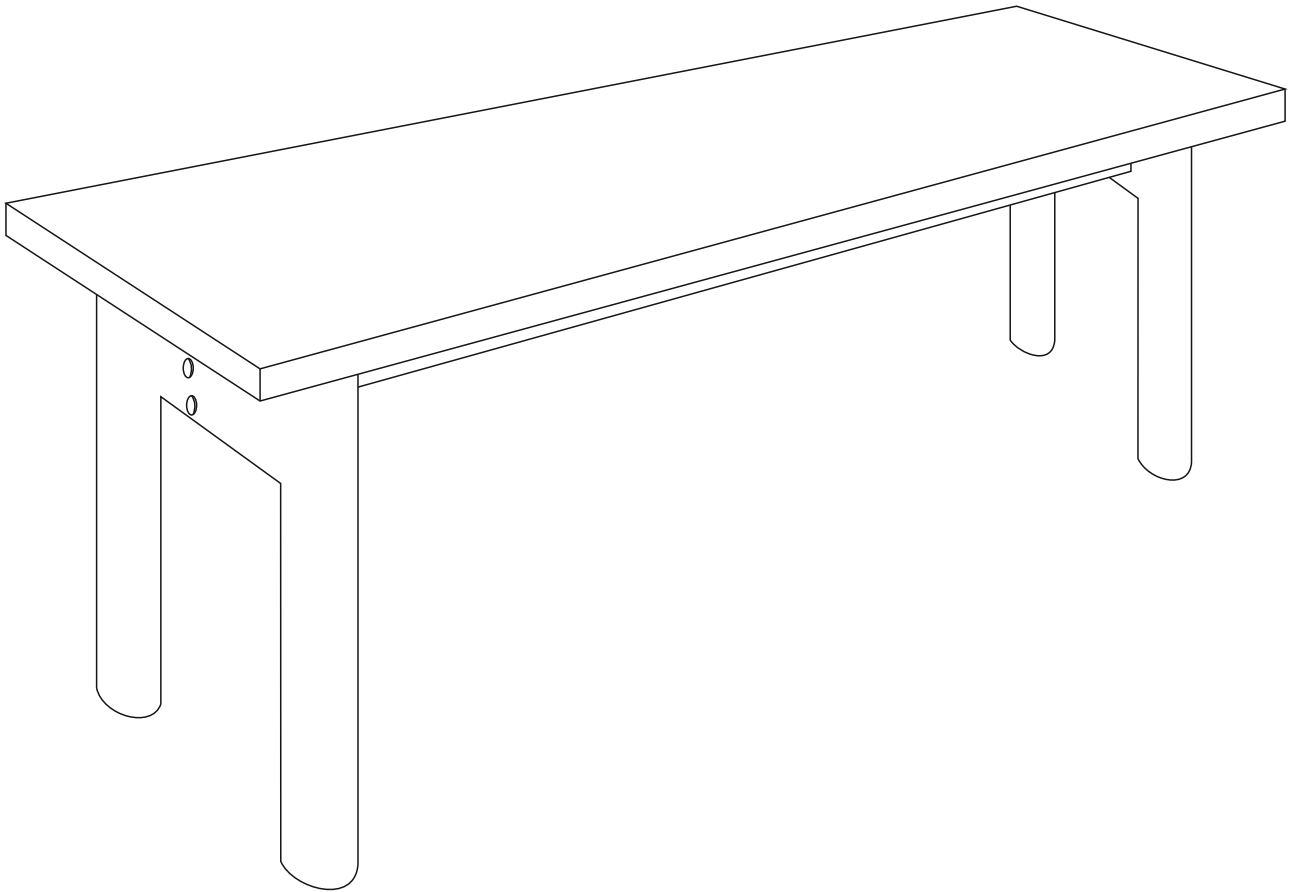


Assembly instruction



# PACE BENCH

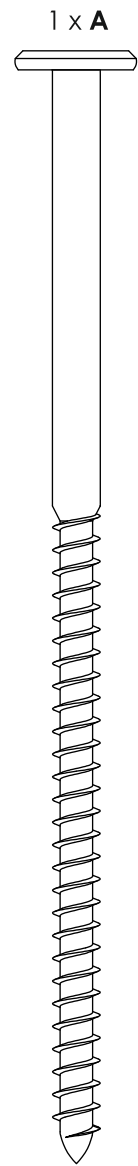


**karup**

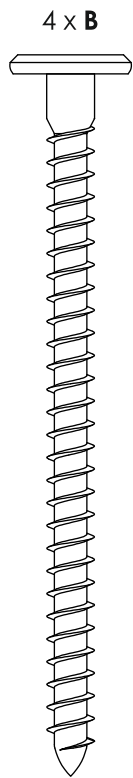
DESIGN

# FITTINGS

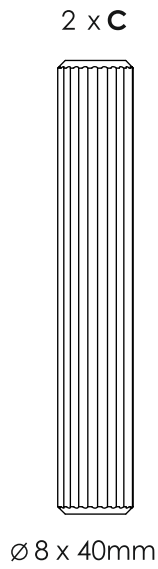
---



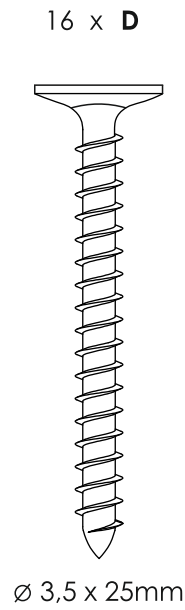
Ø 6,5 x 120mm



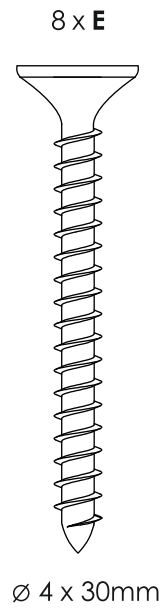
Ø 6,5 x 60mm



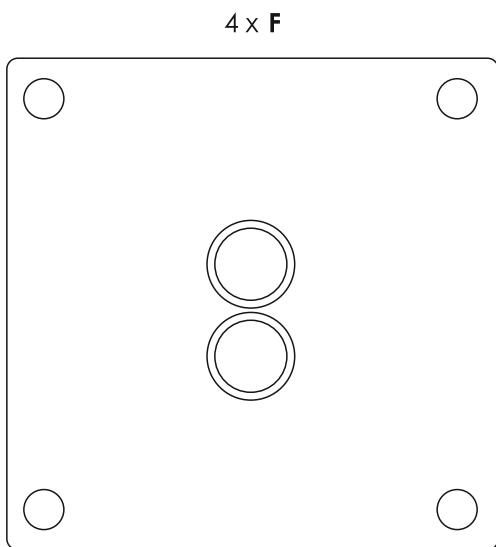
Ø 8 x 40mm



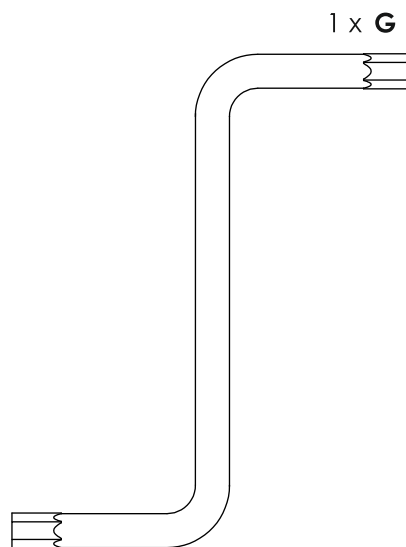
Ø 3,5 x 25mm



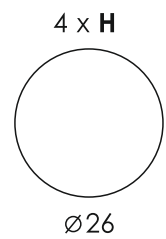
Ø 4 x 30mm



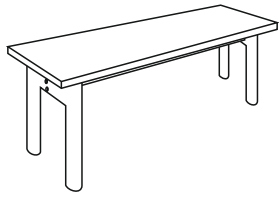
65 x 65mm



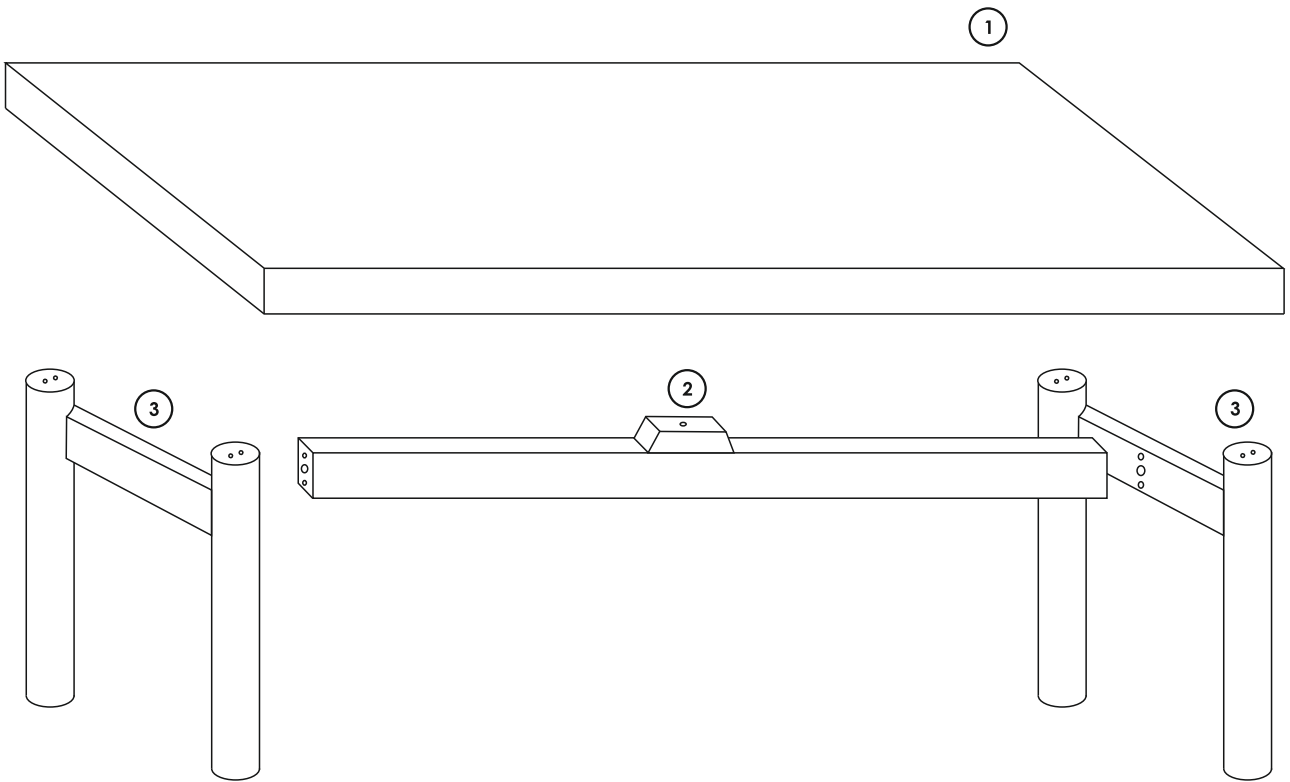
4mm

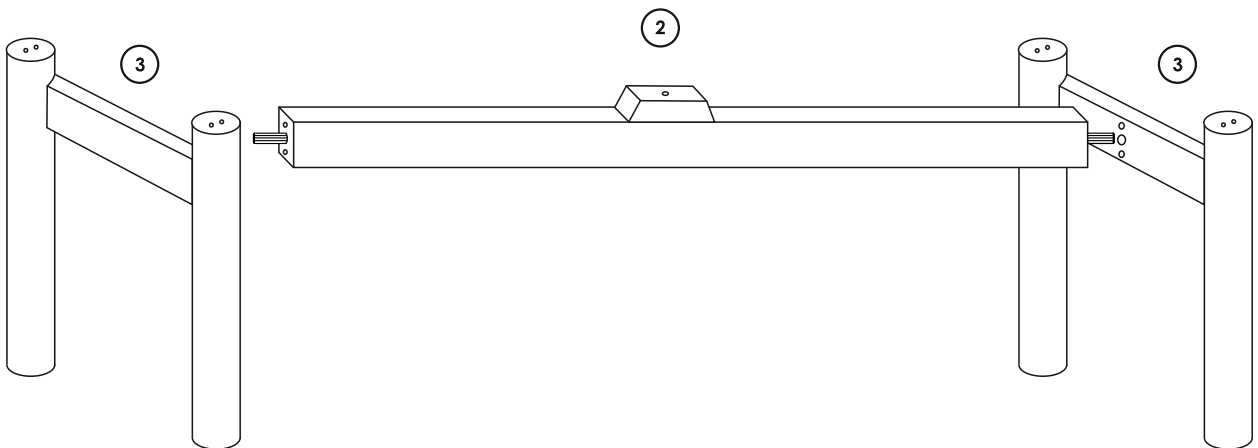
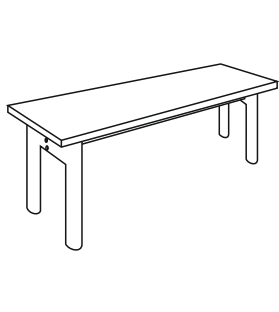
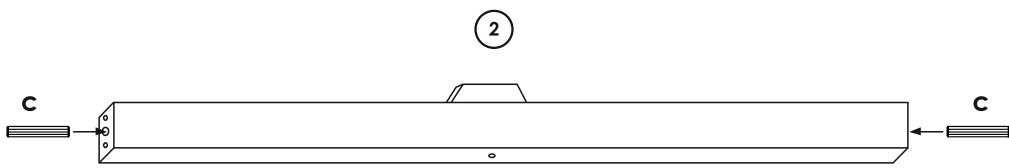
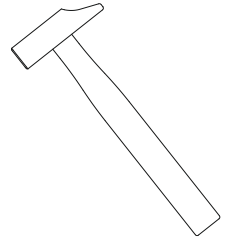
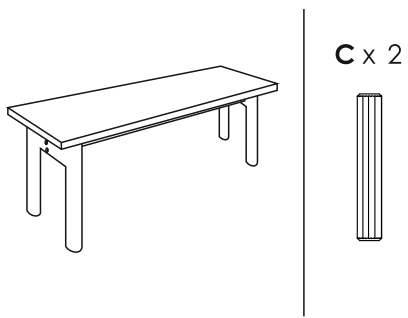


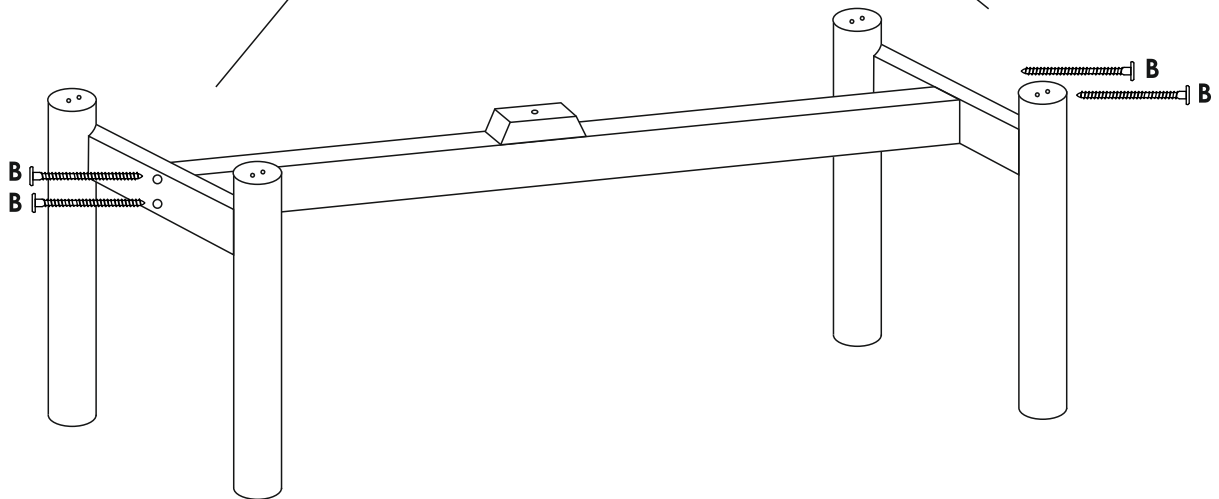
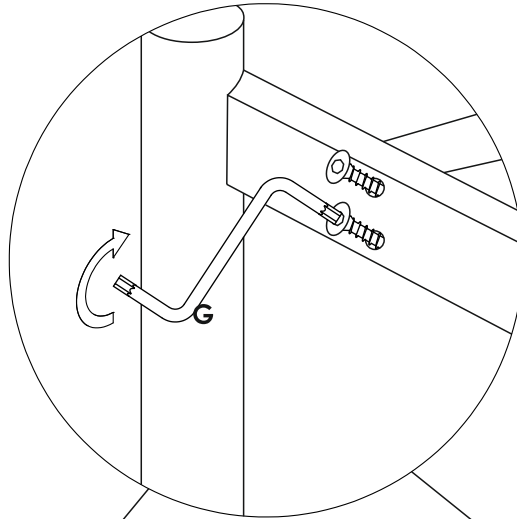
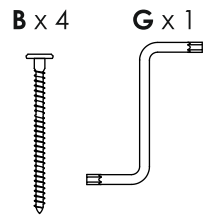
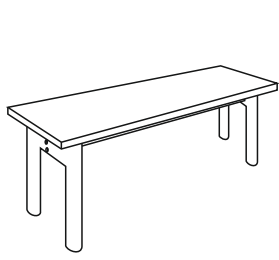
Ø 26

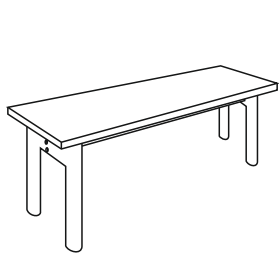


- 1 x ①
- 1 x ②
- 2 x ③





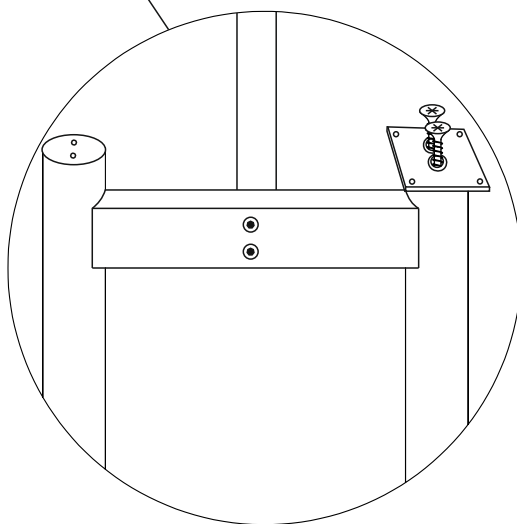
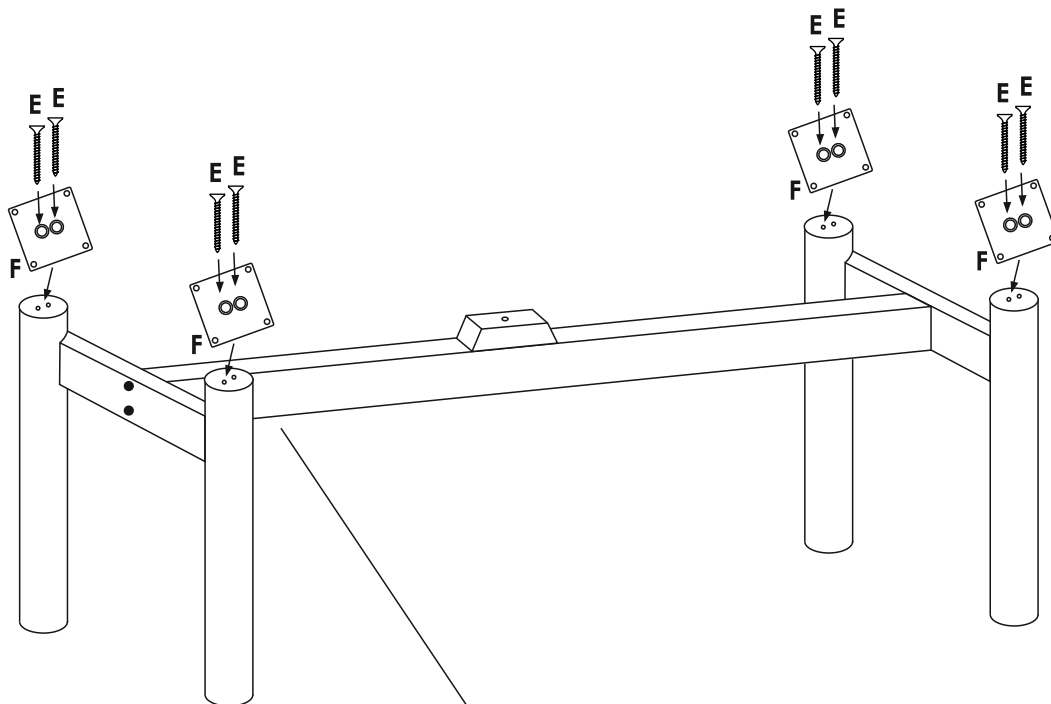
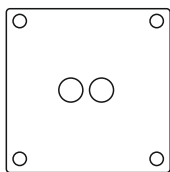


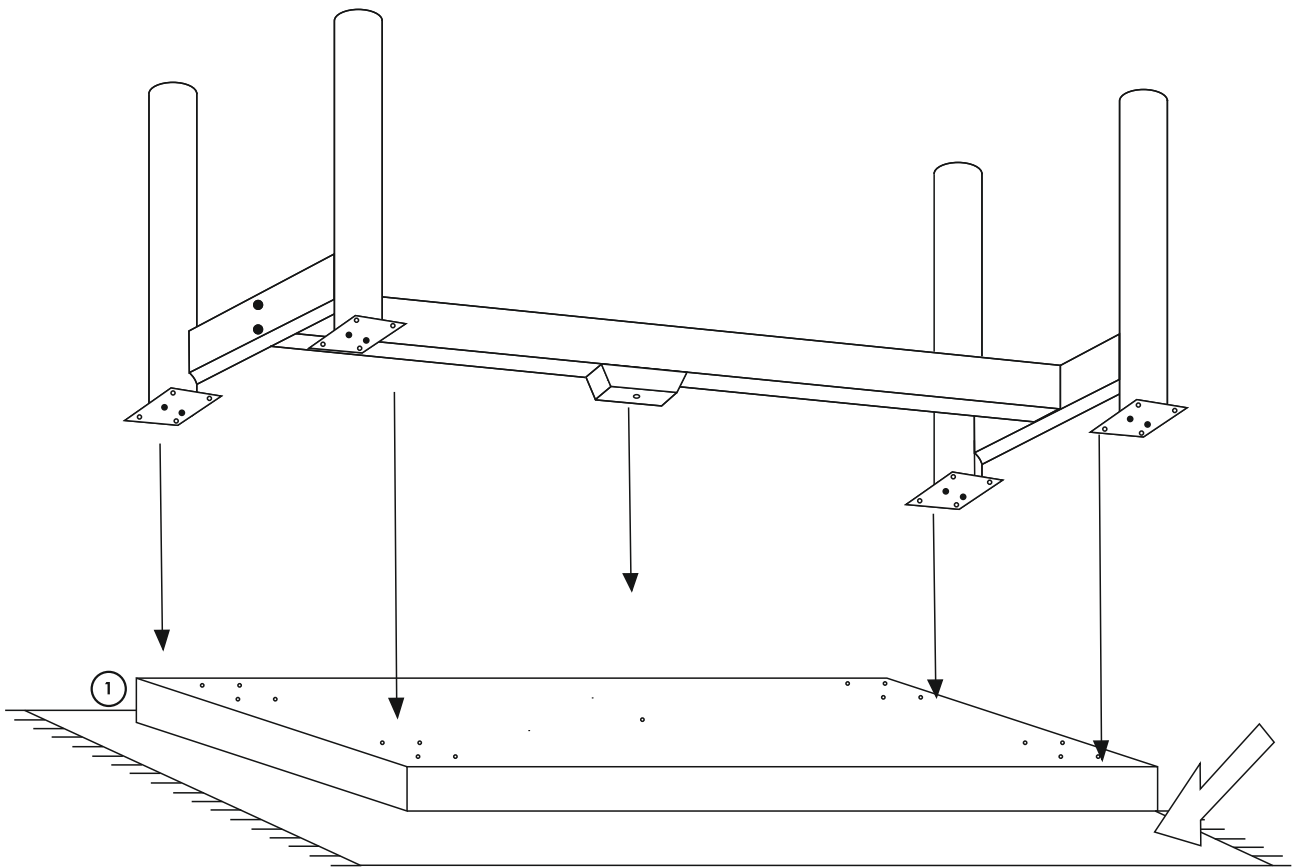
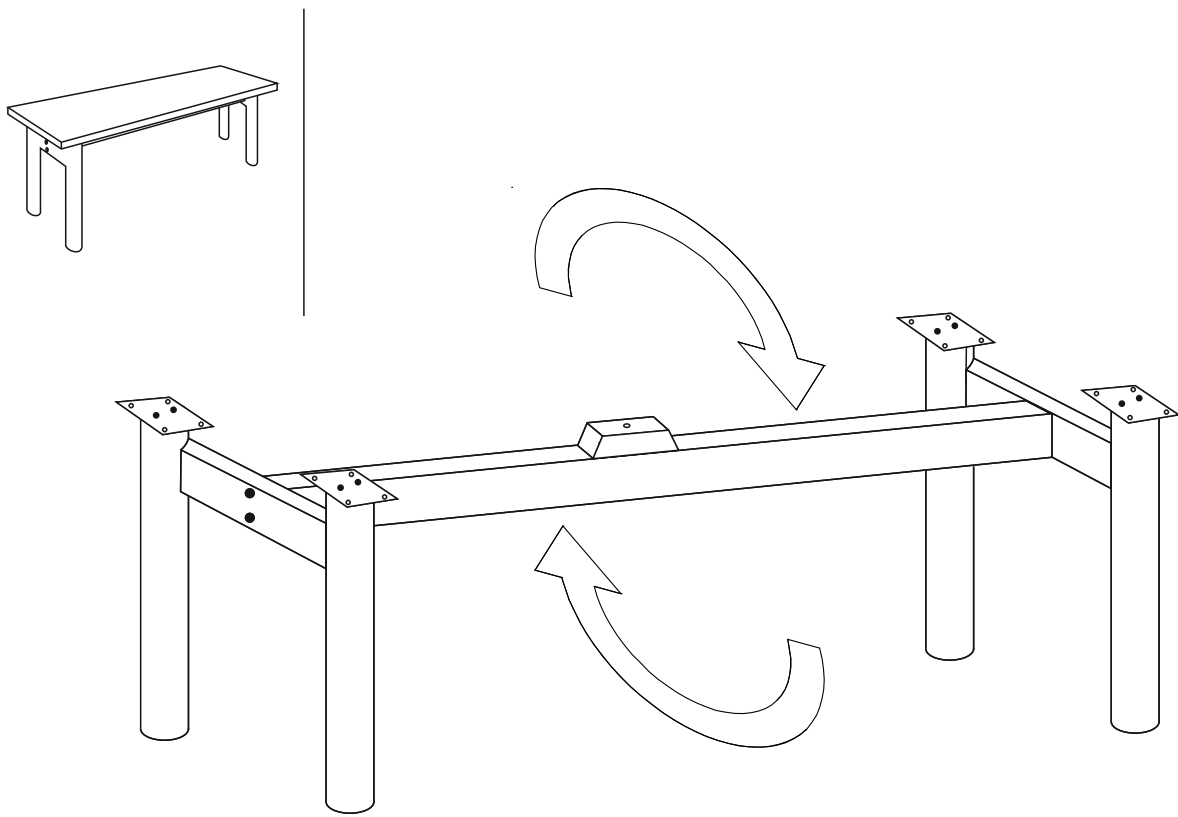


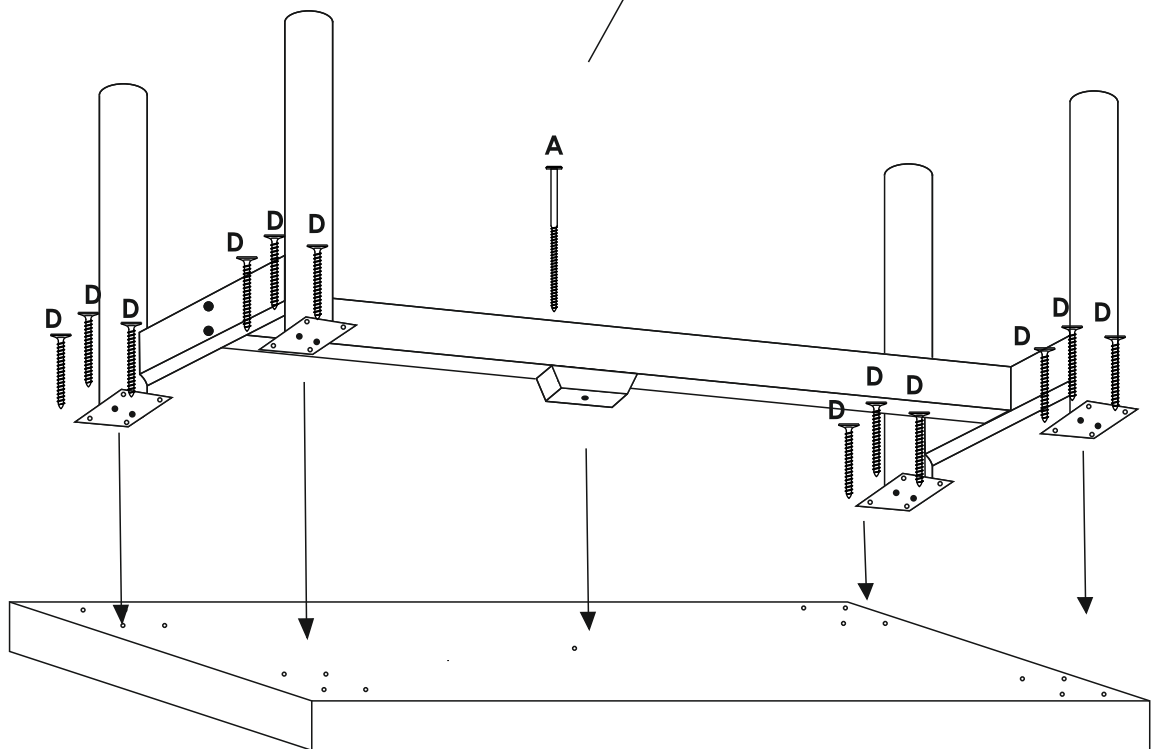
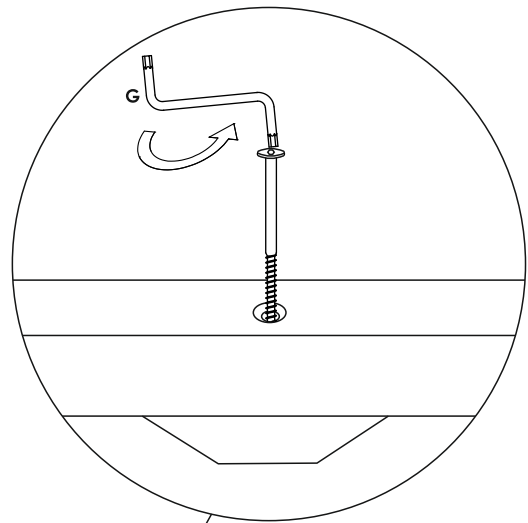
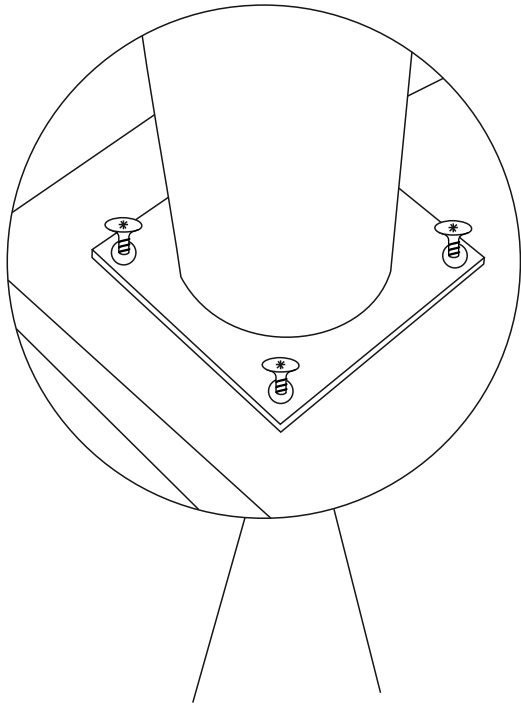
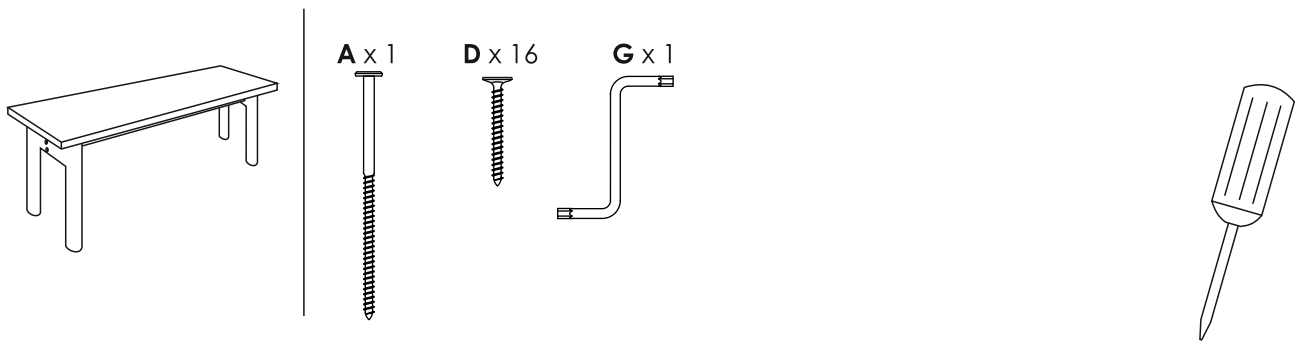
**E x 8**



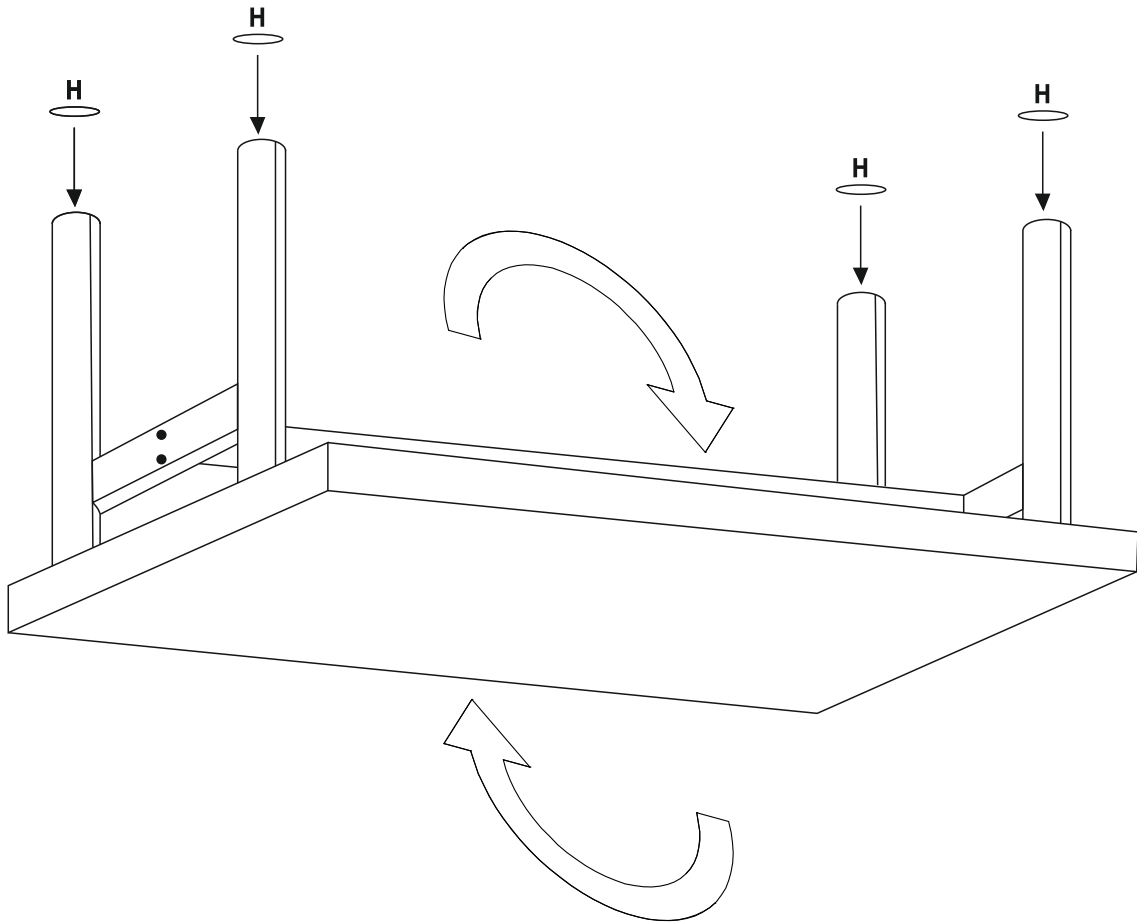
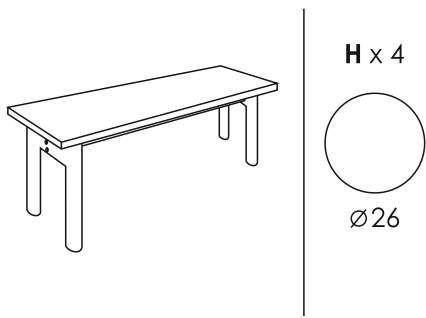
**F x 4**











For product care visit [karupdesign.com/care](http://karupdesign.com/care)

# karup

DESIGN

Share your moments **#karupdesign #karuplifestyle**

[karupdesign.com](http://karupdesign.com)