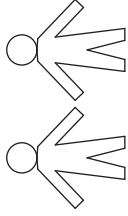
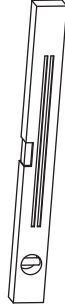
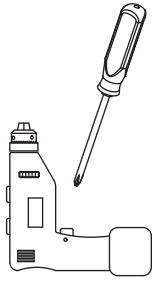


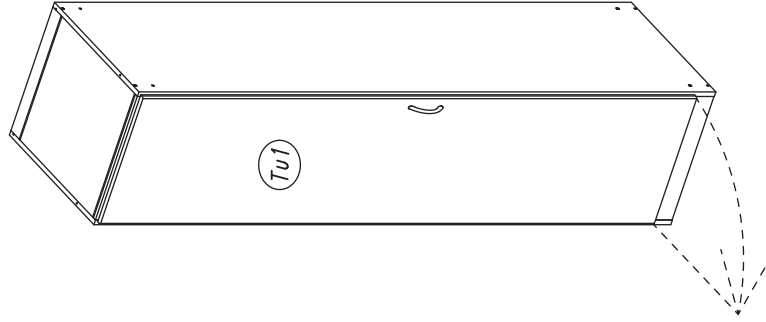
1.

ML002_08

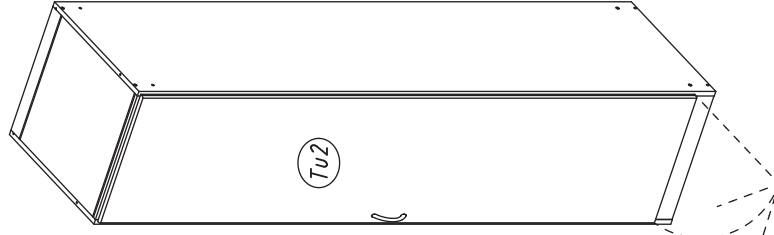
rauch



ABD-FOLIE
147x46

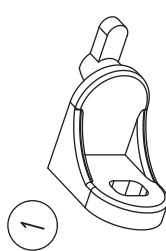


Tu1

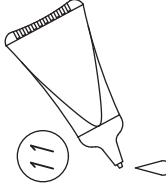


Tu2

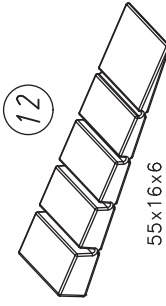
2.



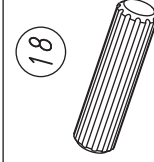
1



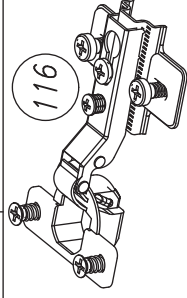
11



12



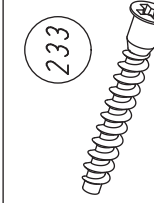
18



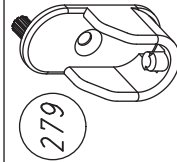
116



205



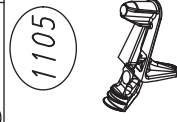
233



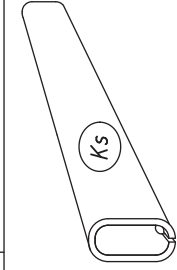
279



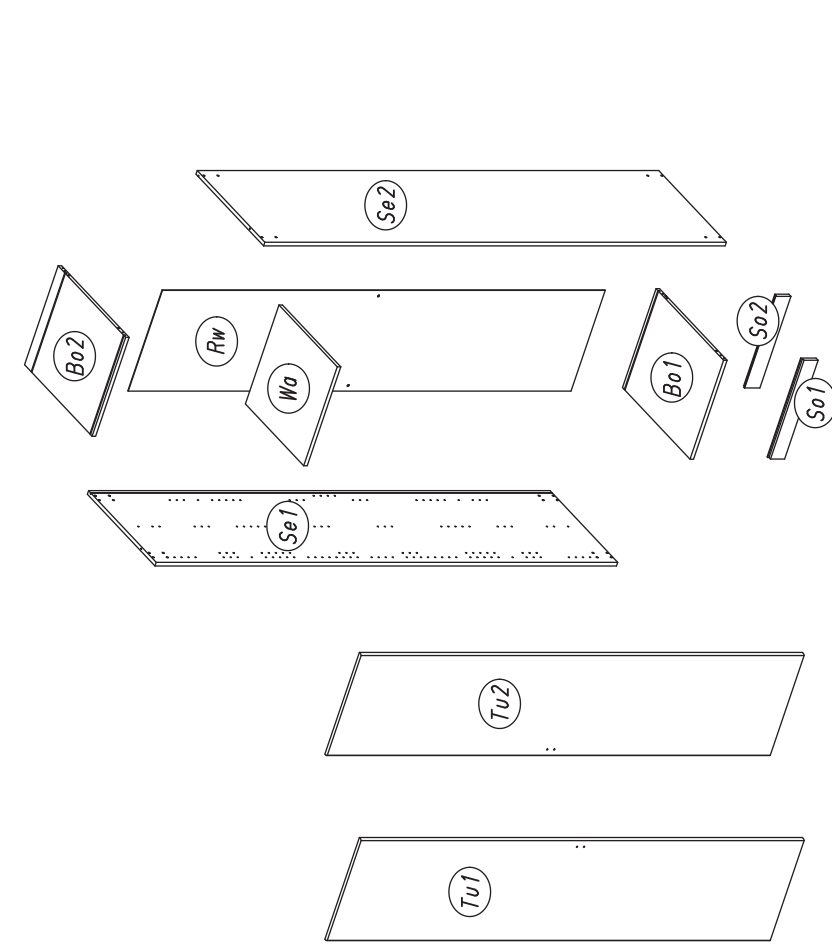
779



1105



Ks



Tu1

Tu2

Se1

Se2

Ba2

Rwa

Wa

Ba1

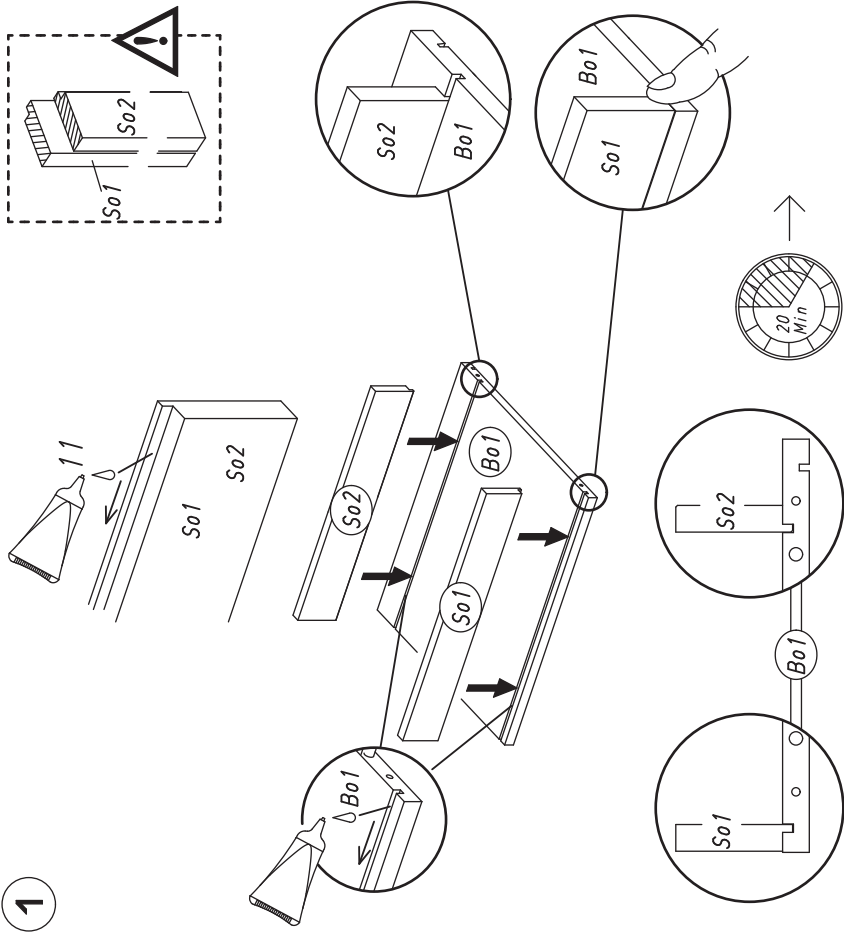
Sa2

Sa1



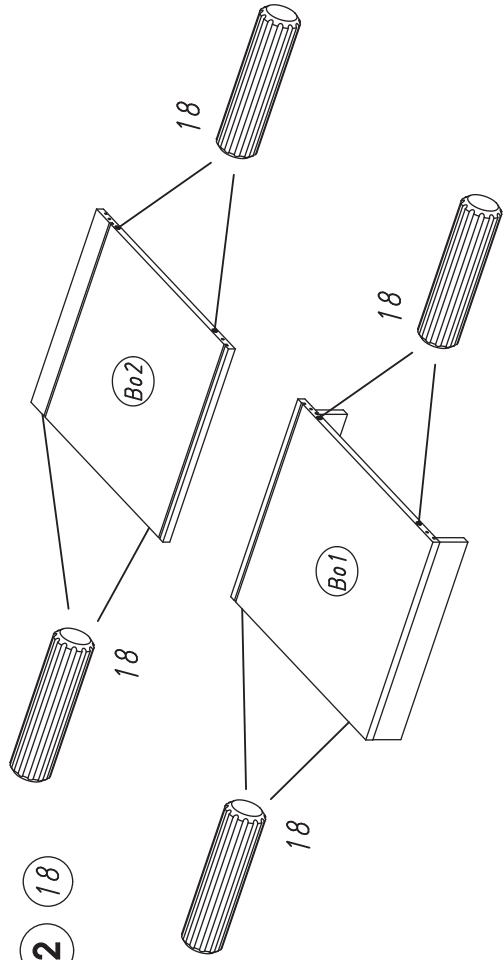
ML002

3.

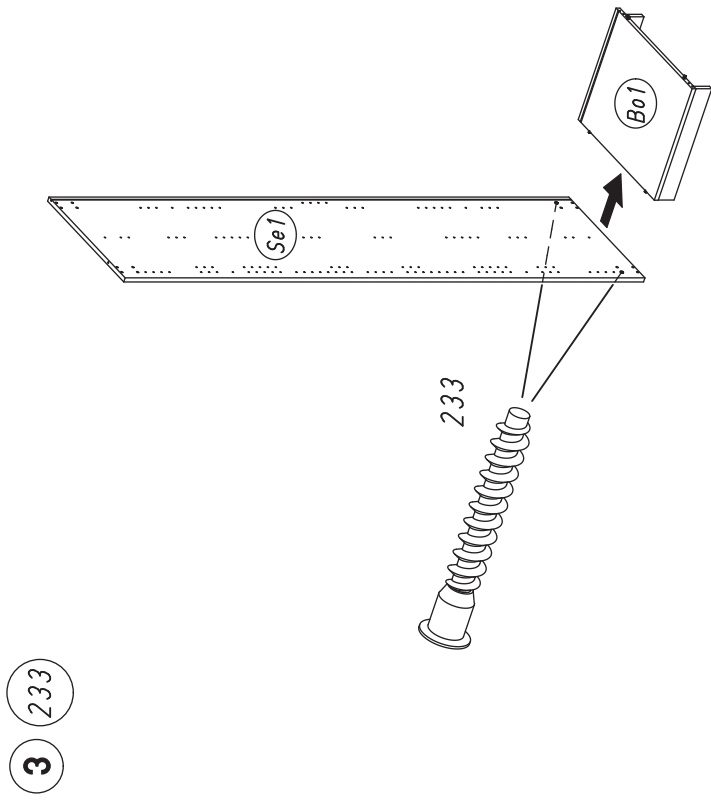


1

2

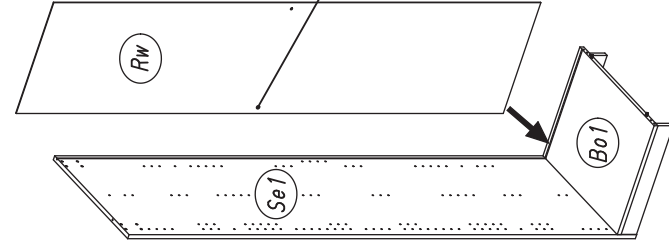


4.



3

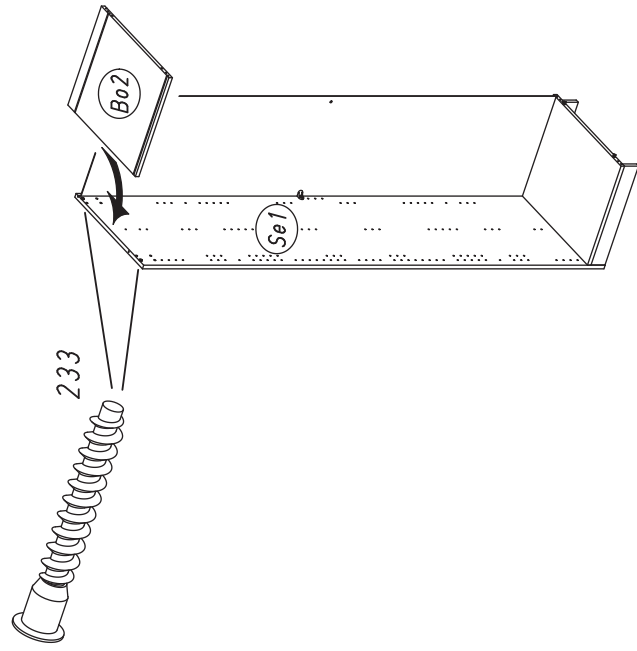
4



1

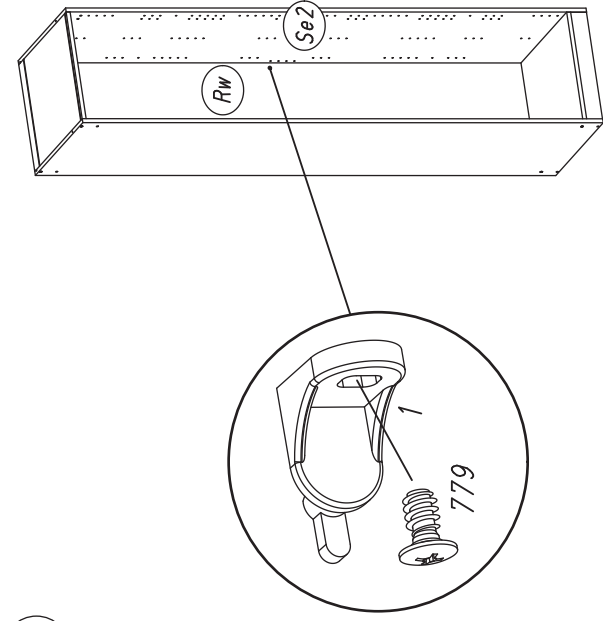
779

5.



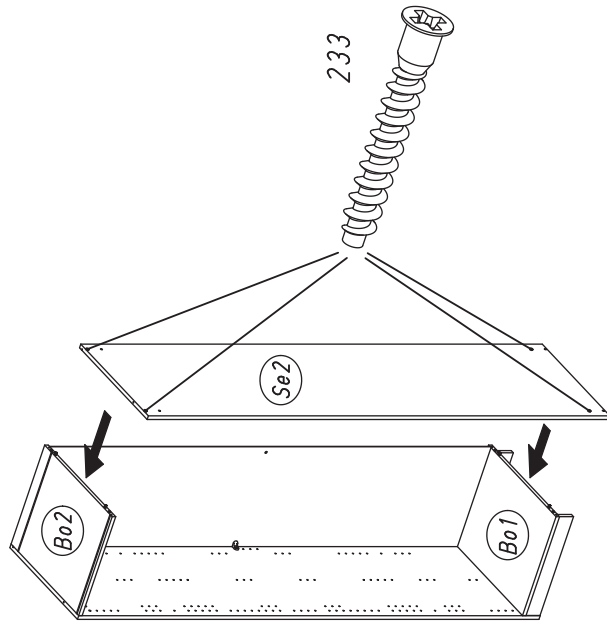
5 (233)

6.

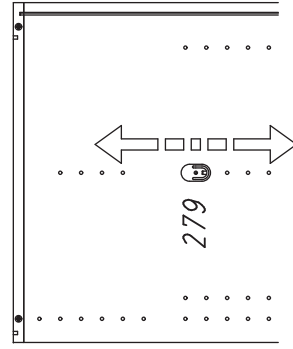


7 (1) (779)

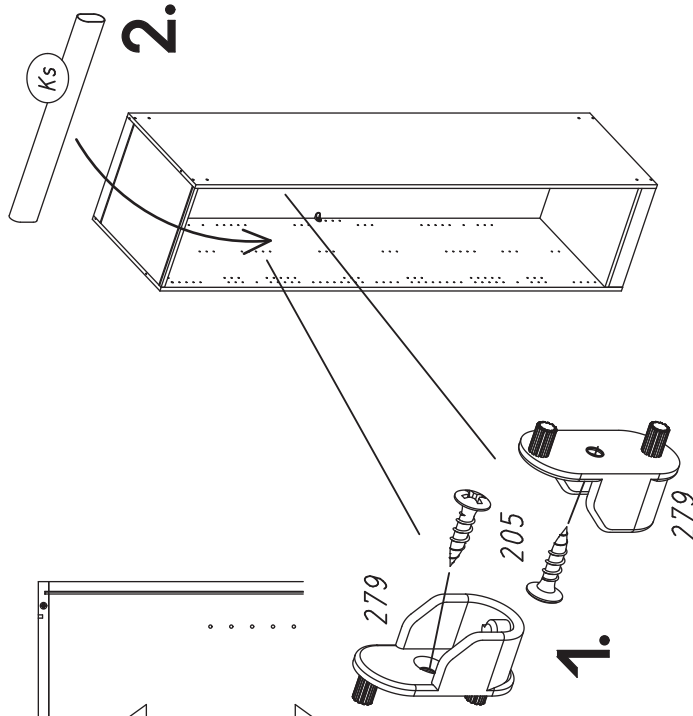
6 (233)



6 (233)



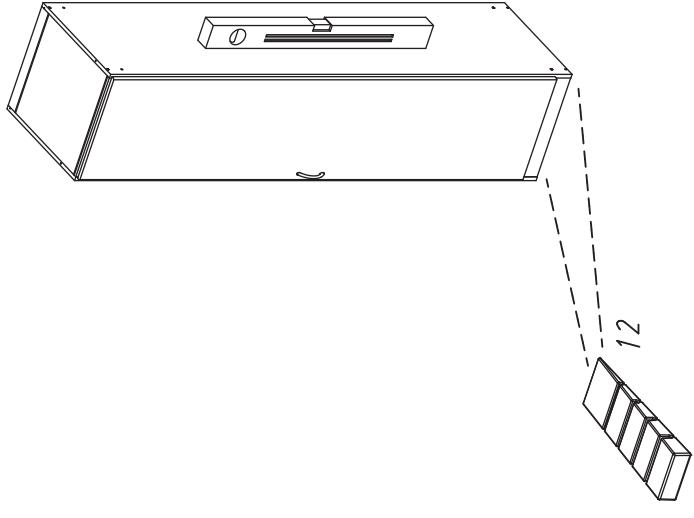
8 (205) (279)



2.

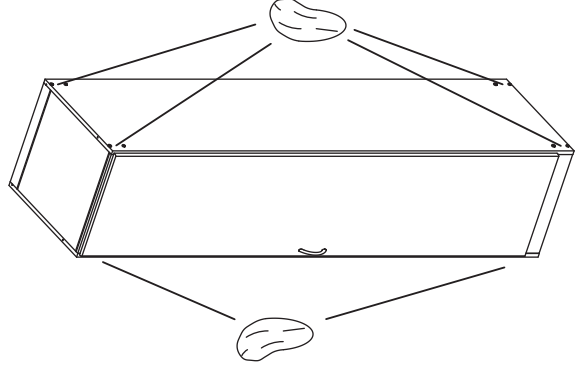
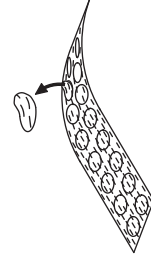
8.

11 12



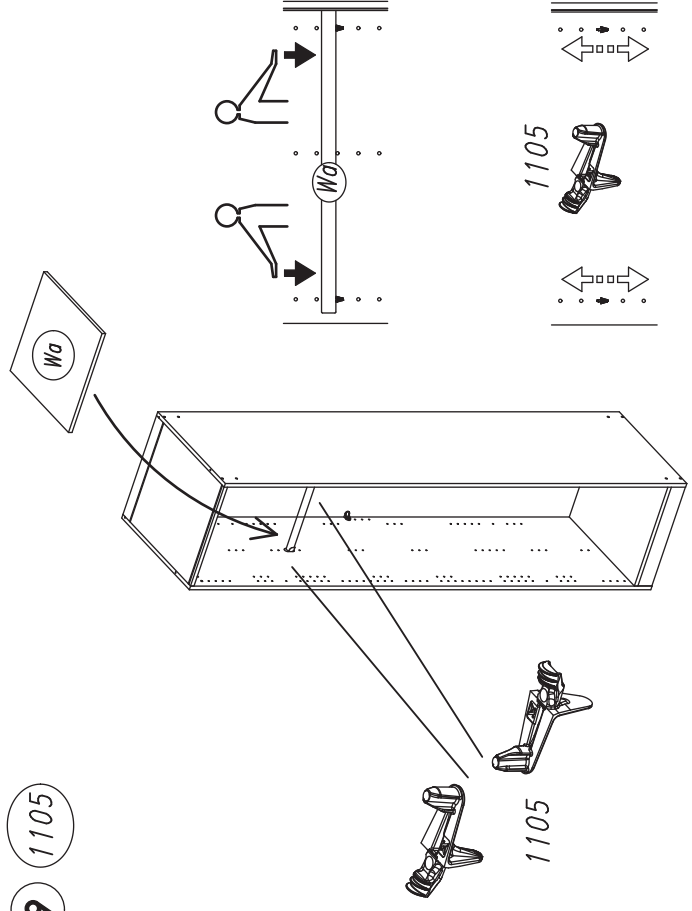
ABD-FOL IE
147x46

12

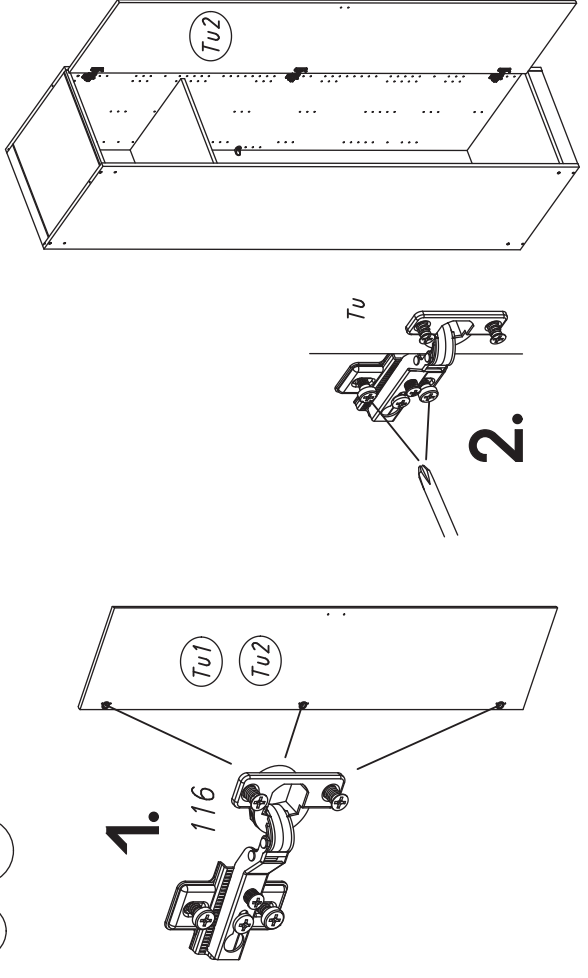


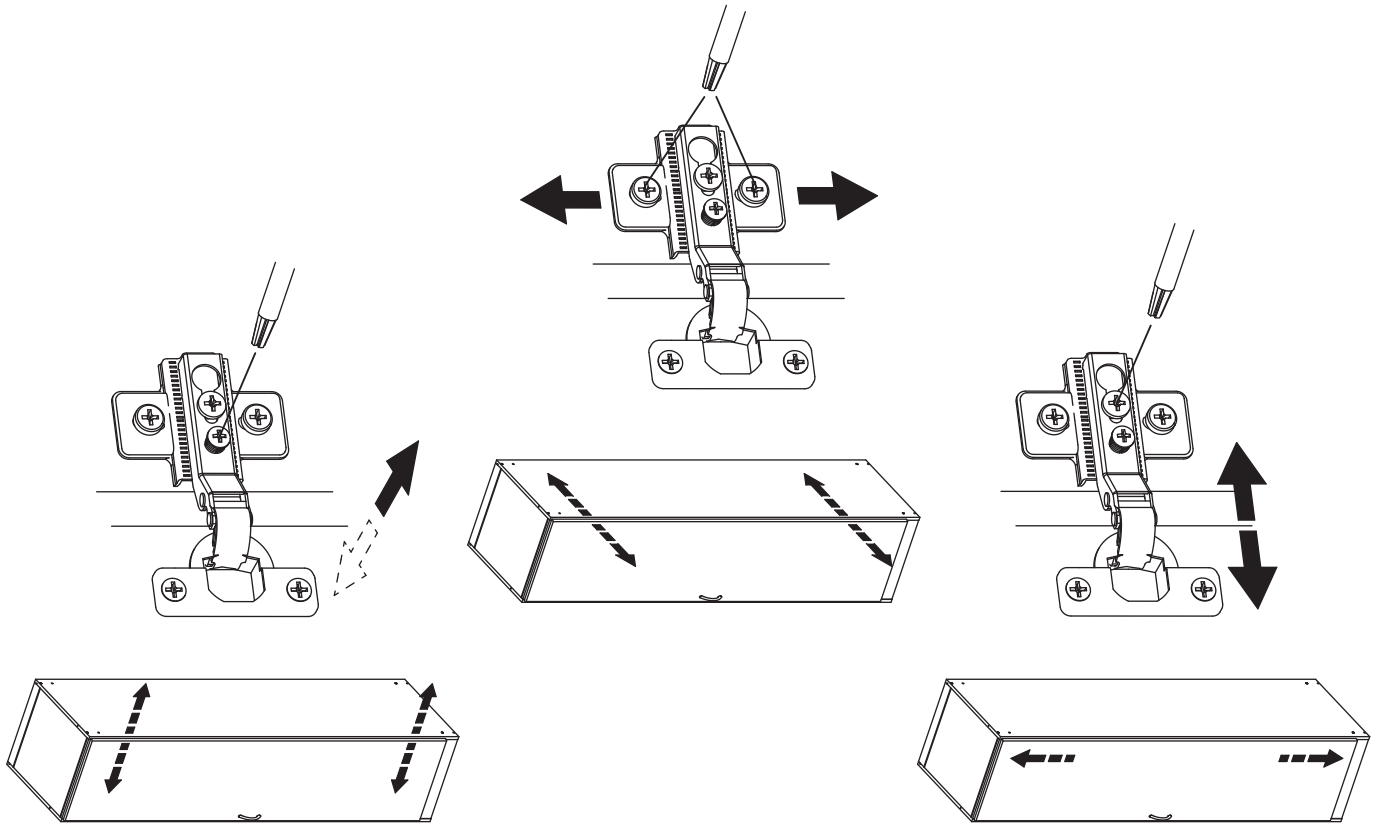
7.

9 1105



10 116





ME431_03

