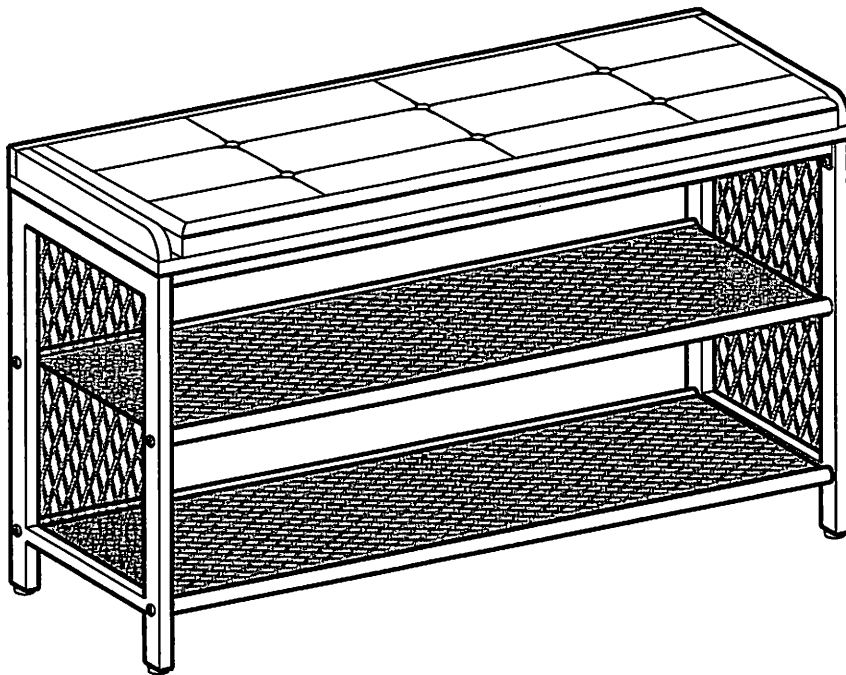
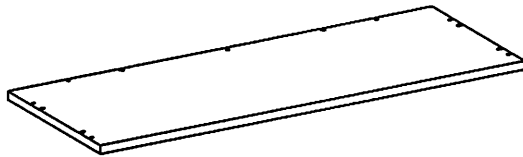
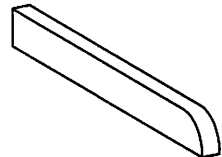

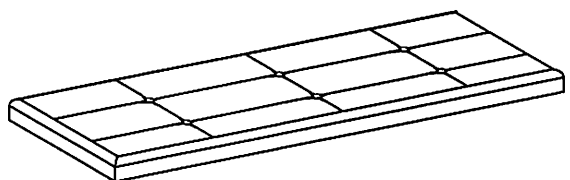
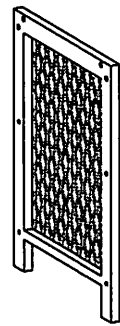
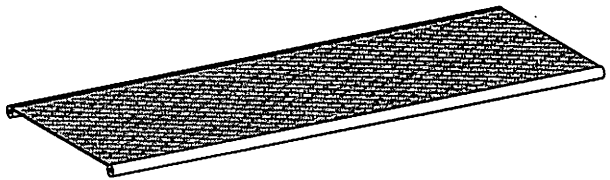
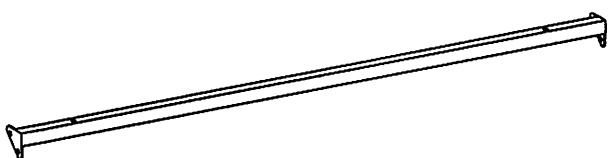
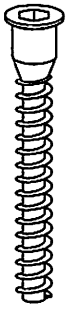


023-2467.SBR



<p>A x 1</p> 	<p>B x 2</p> 
<p>C x 1</p> 	<p>D x 1</p> 
<p>E x 2</p> 	<p>F x 2</p> 
<p>G x 2</p> 	

H



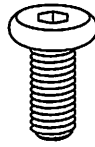
9+1

I



6+1

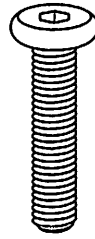
J



M6 x 12 mm

8+1

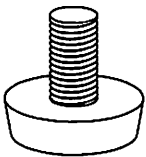
K



M6 x 25 mm

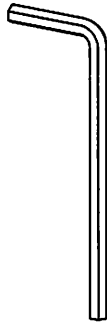
12+1

L



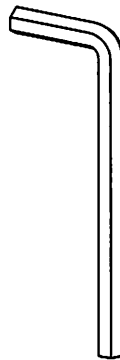
x 4

M



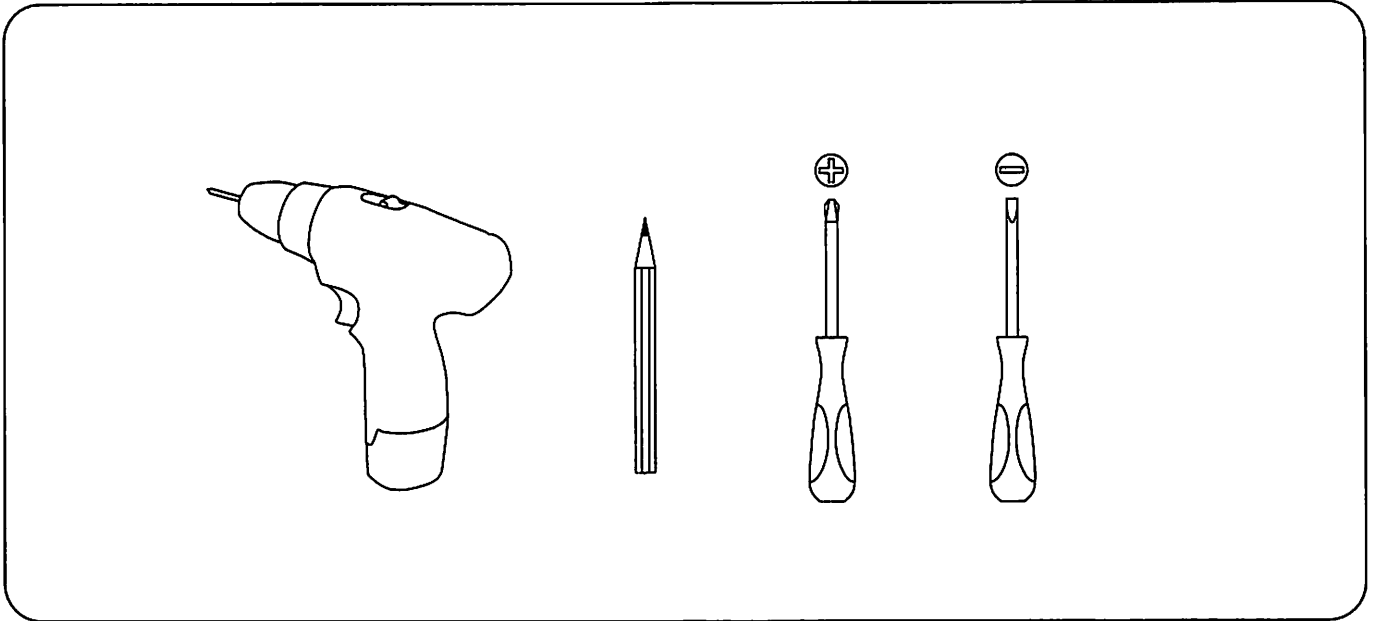
x 1

N

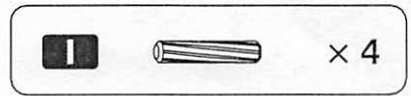
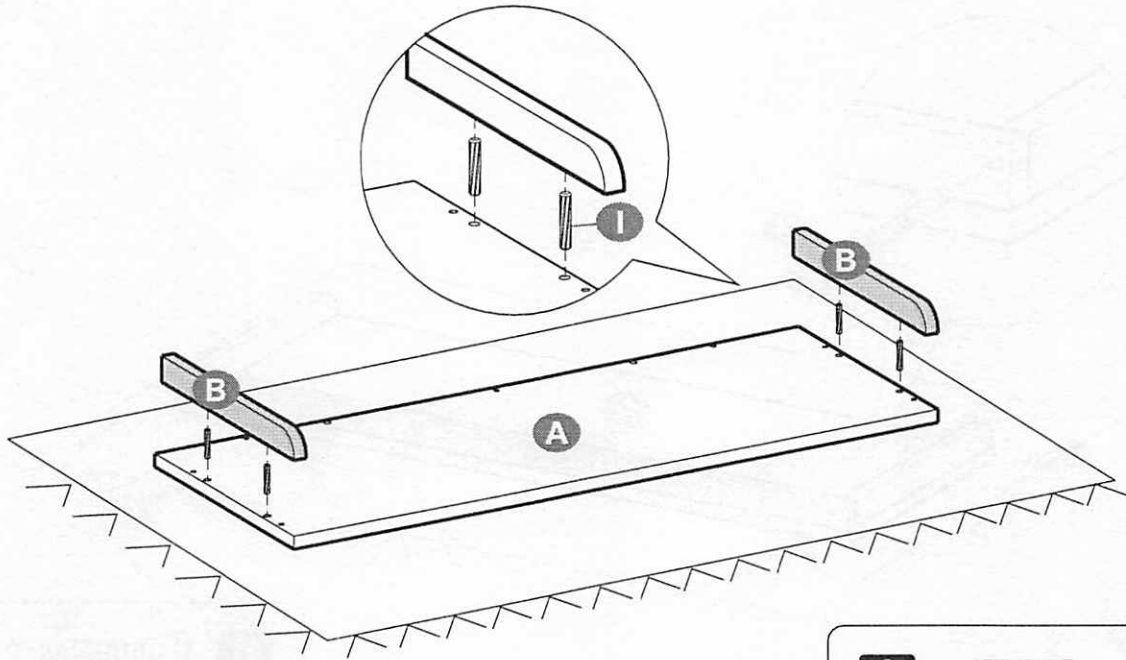


x 1

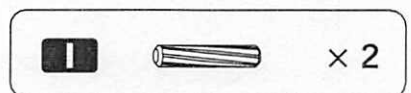
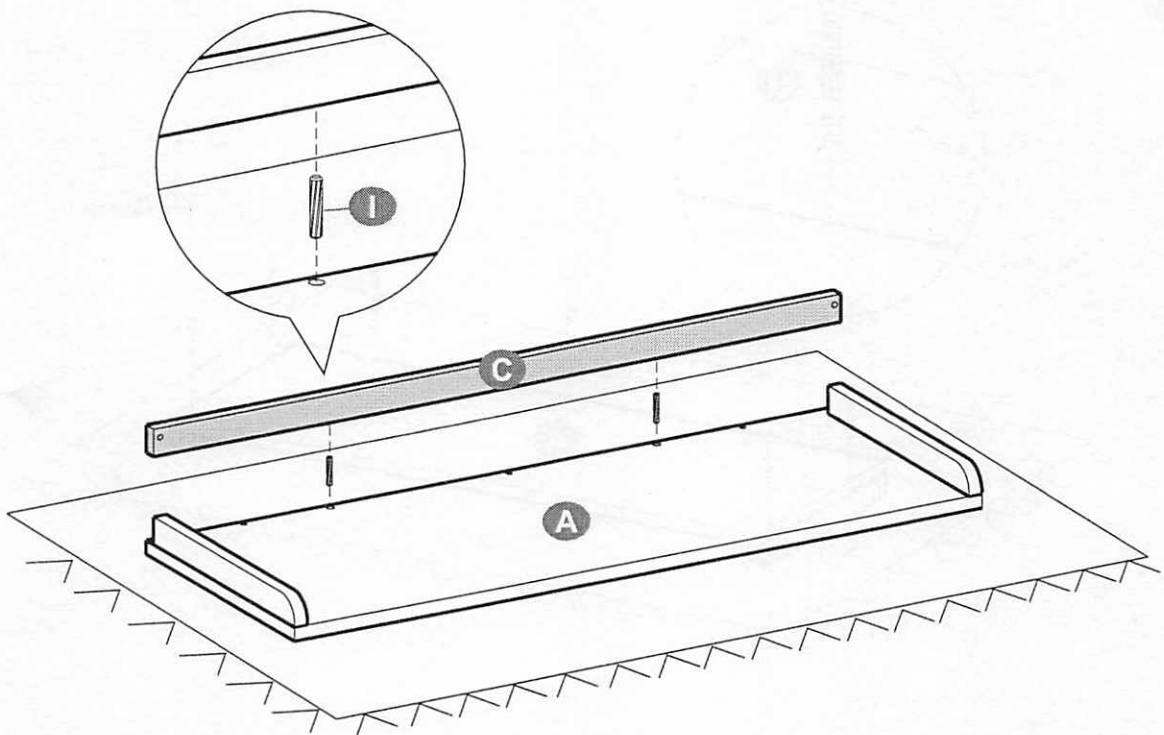
Tools Required:



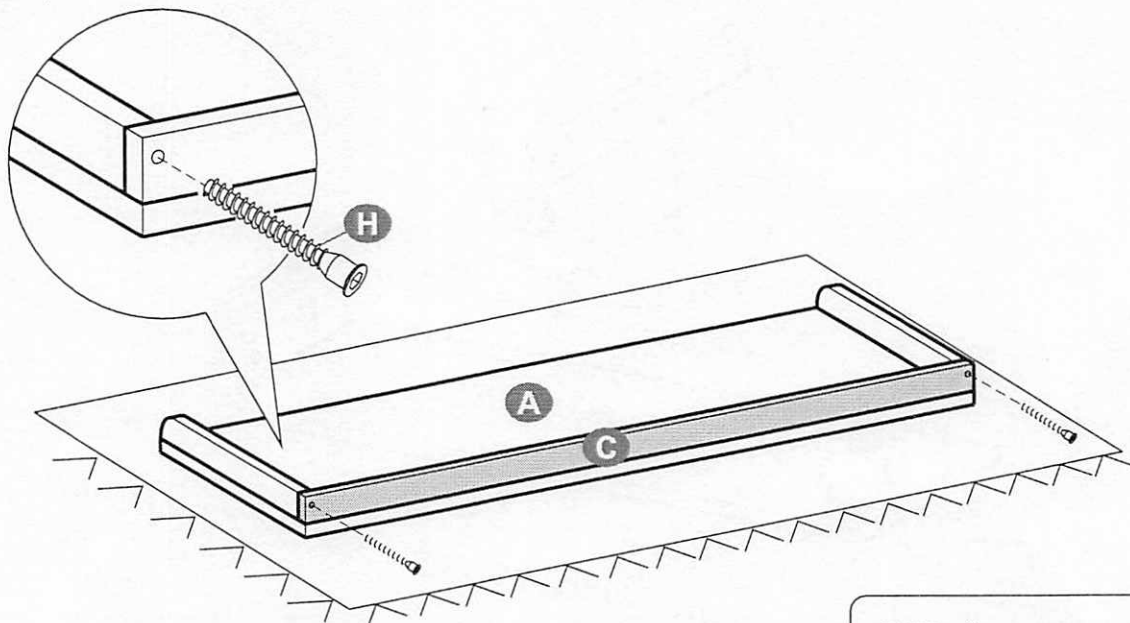
1

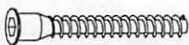


2

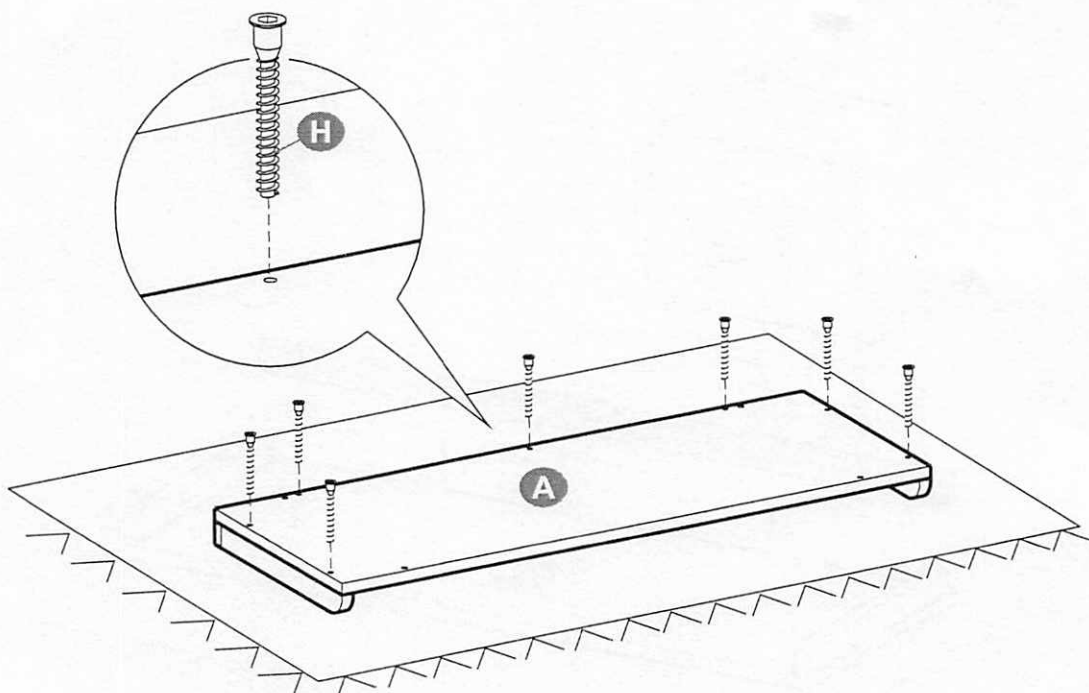


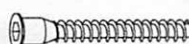
3



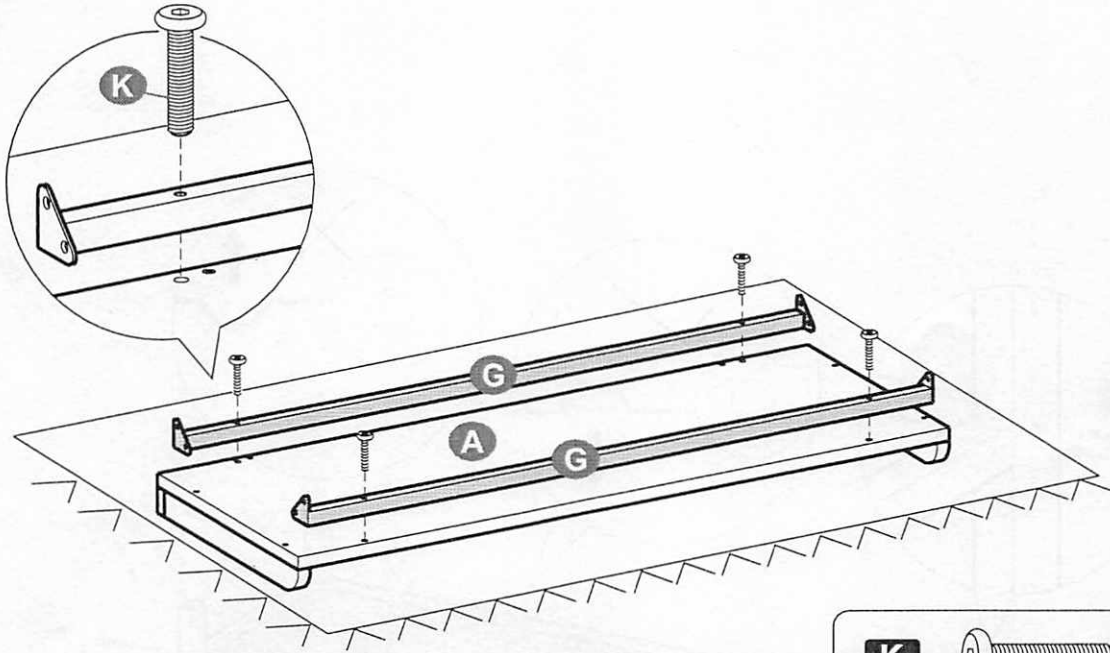
H  × 2

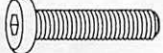
4



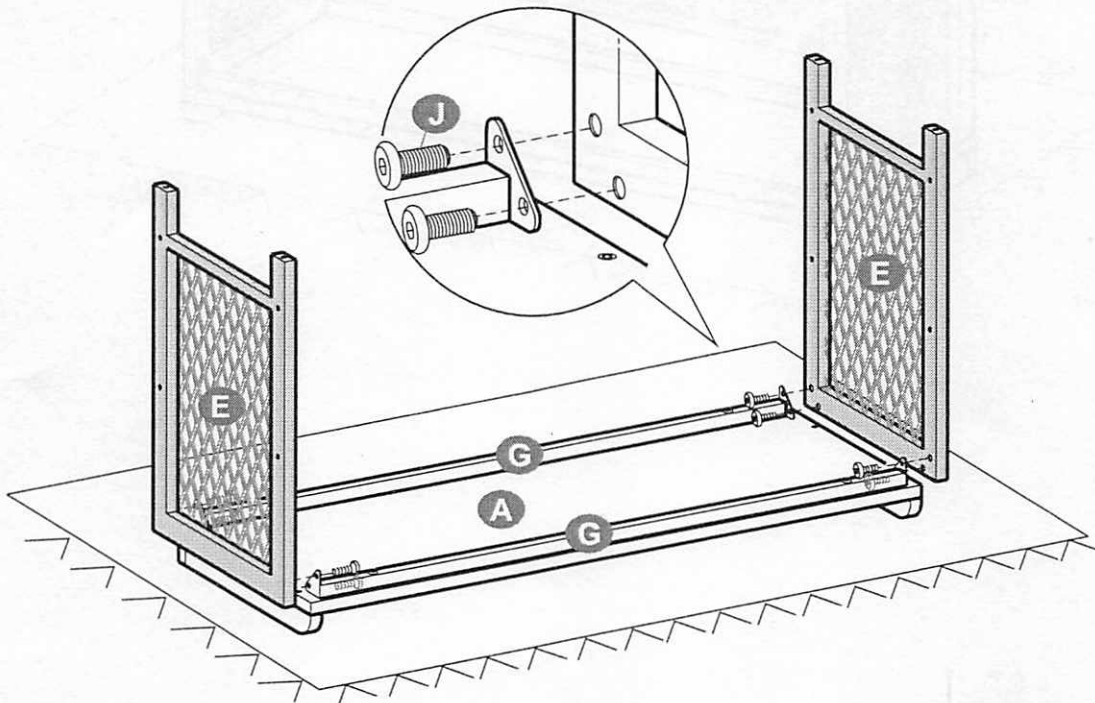
H  × 7

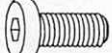
5



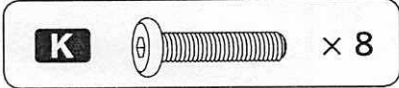
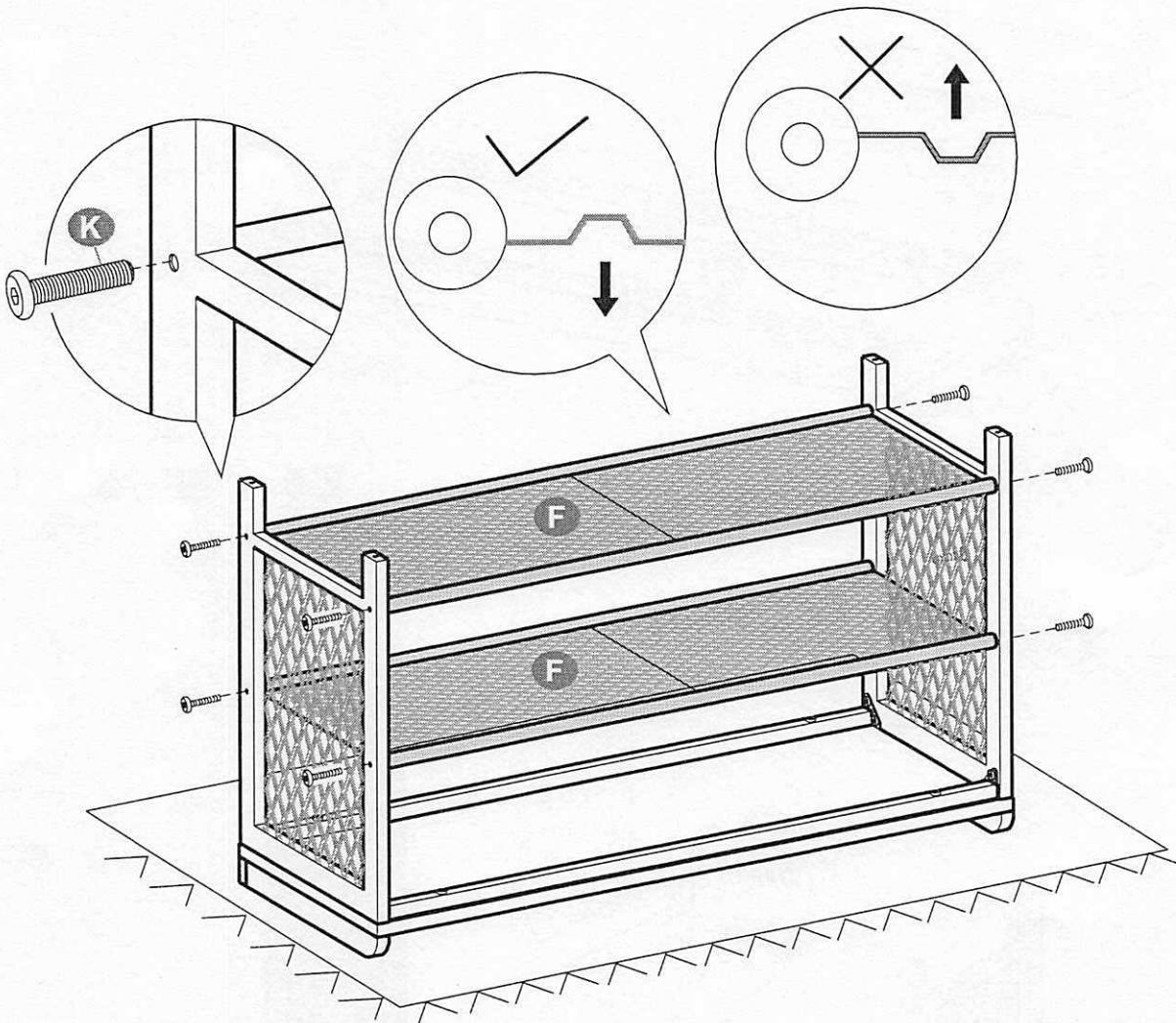
K  × 4

6

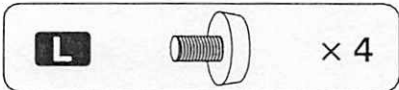
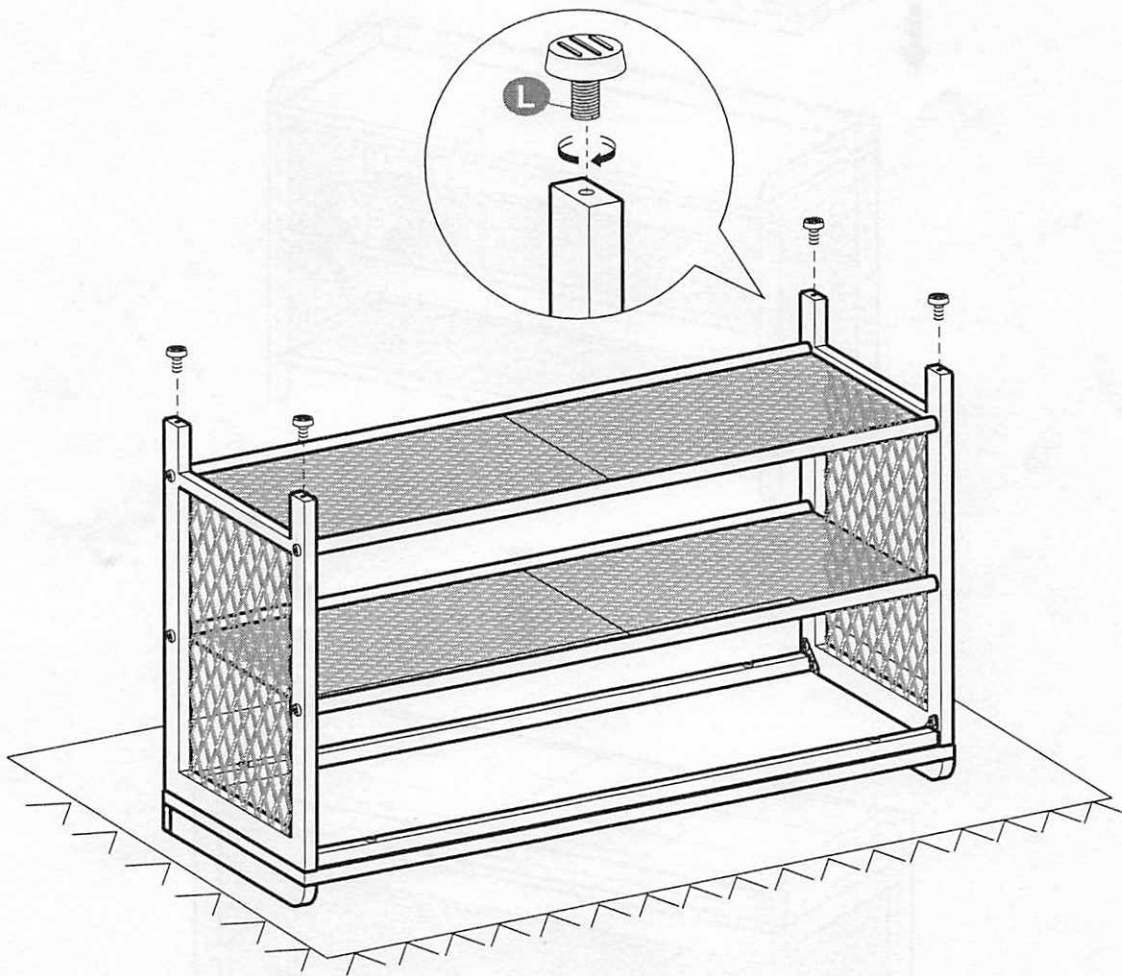


J  × 8

7



8



9

