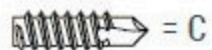


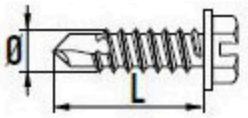

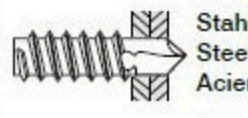
GOEBEL


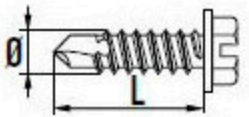
Ø 4,8 mm

SW = 8 mm



UPM/RPM/TR-MIN = max. 1200

		
4,8 x 16 mm	2 x 1,0 mm	max. 2,5 mm
4,8 x 19 mm	2 x 1,0 mm	max. 4,5 mm
4,8 x 25 mm	2 x 1,0 mm	max. 4,5 mm



4,8 x 16 mm
4,8 x 19 mm
4,8 x 25 mm

						
CODE	P	D	CODE	P	D	CODE
88810 48160	2,0 mm	10,0 mm	89902 48160	3,0 mm	12,0 mm	89900 48160
88810 48190	2,0 mm	10,0 mm	89902 48190	3,0 mm	12,0 mm	89900 48190
88810 48250	2,0 mm	10,0 mm	89902 48250	3,0 mm	12,0 mm	89900 48250