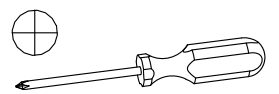
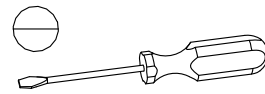
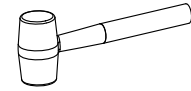
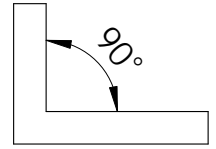
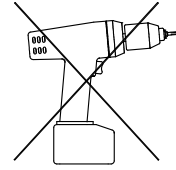
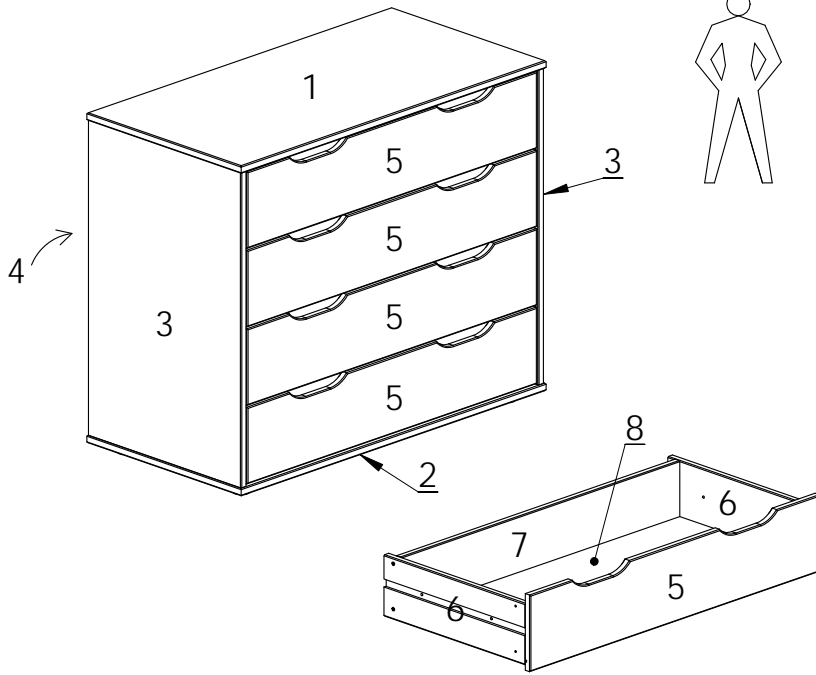


KP52-V7; KP52-V8



A		6x30	x28
B		6,5x27	x14
C		D39x20	x4
D		4x30	x4
E		320	x8
F		3x15	x24
G		4,2x45	x4

H		10x11	x14
J		816	x1
K		3,5x20	x8
L		3,5x35	x16
M		14,5x6,1x7,8	x8
N		GLUE	x1

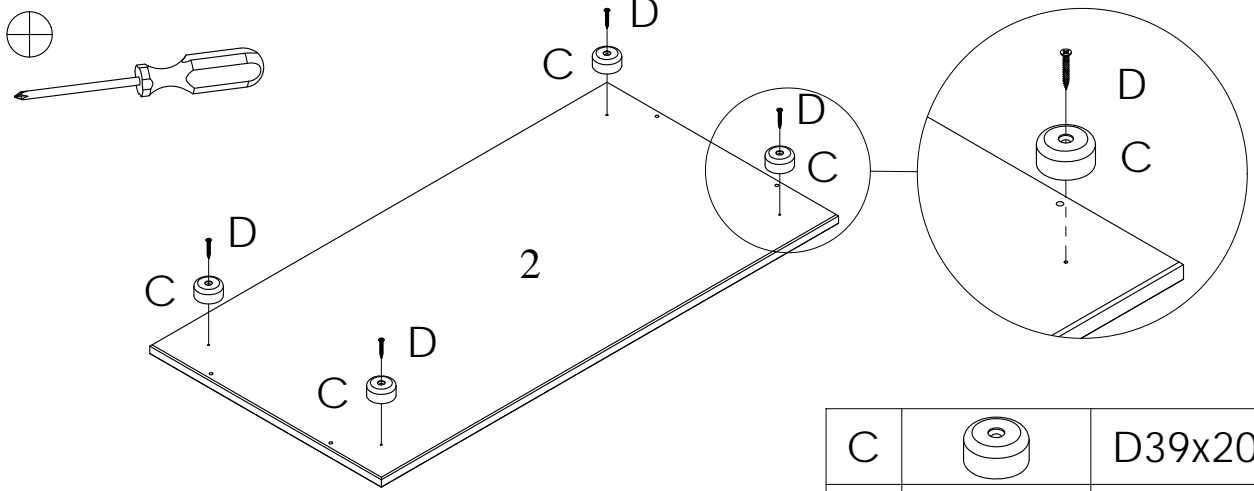
①

A		6x30	x28
---	--	------	-----

②

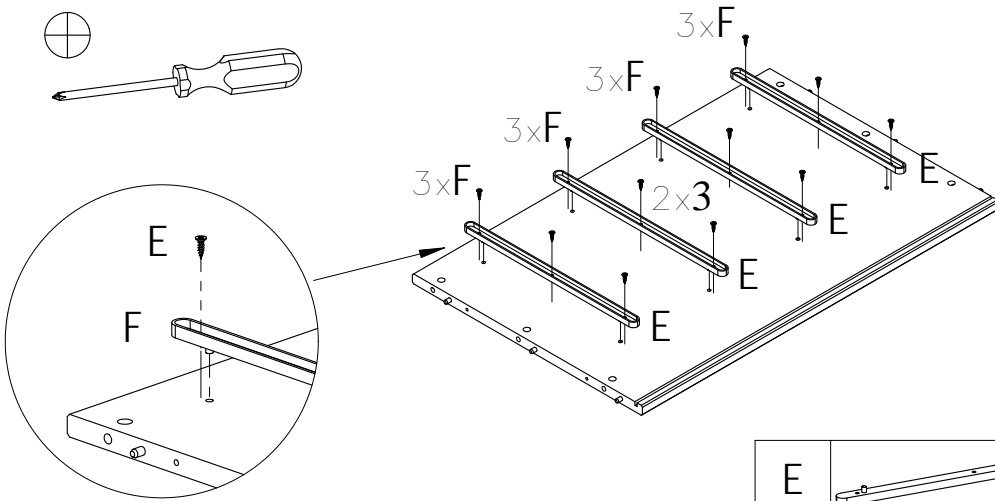
B		6,5x27	x14
---	--	--------	-----

3



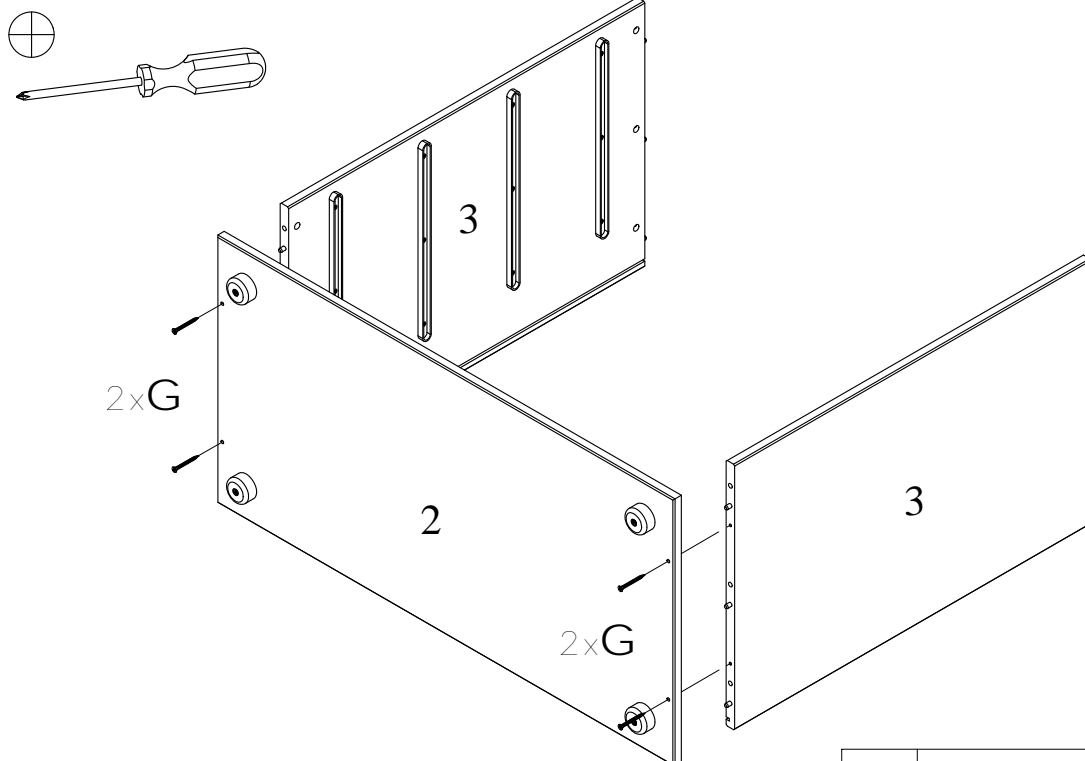
C		D39x20	x4
D		4x30	x4

4



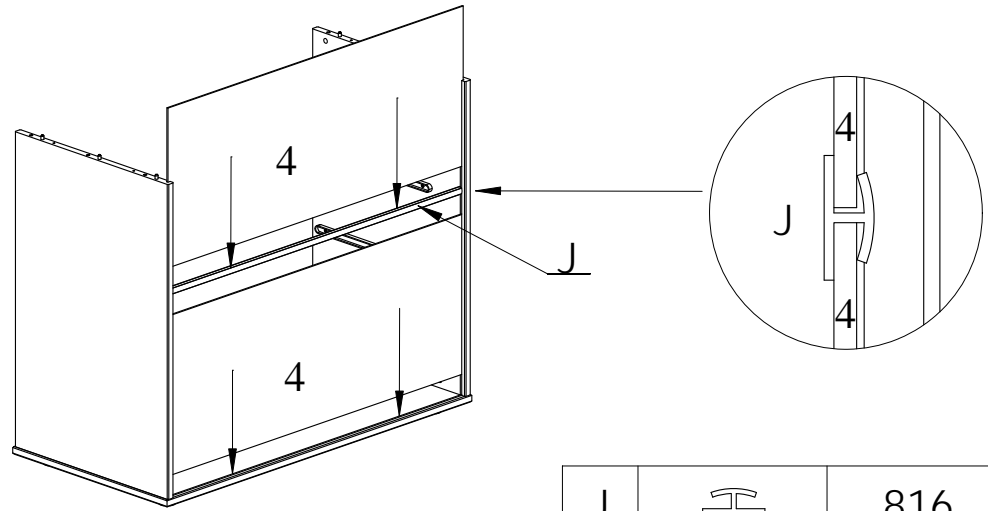
E		320	x8
F		3x15	x24

5



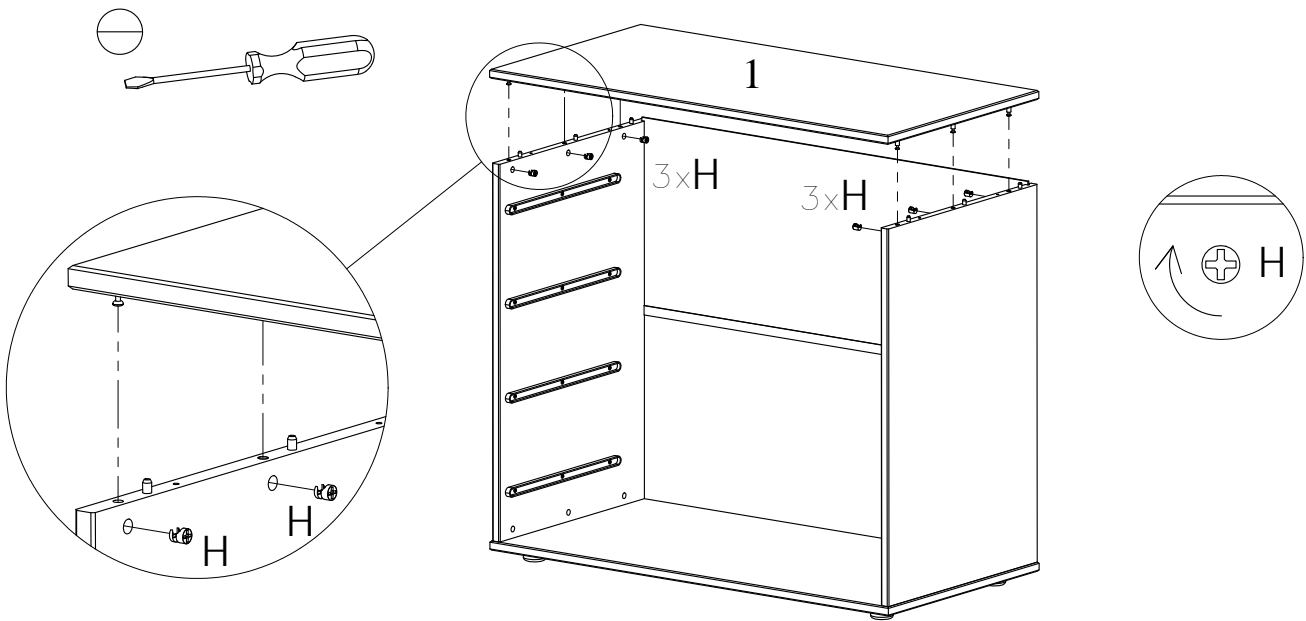
G		4,2x45	x4
---	--	--------	----


6



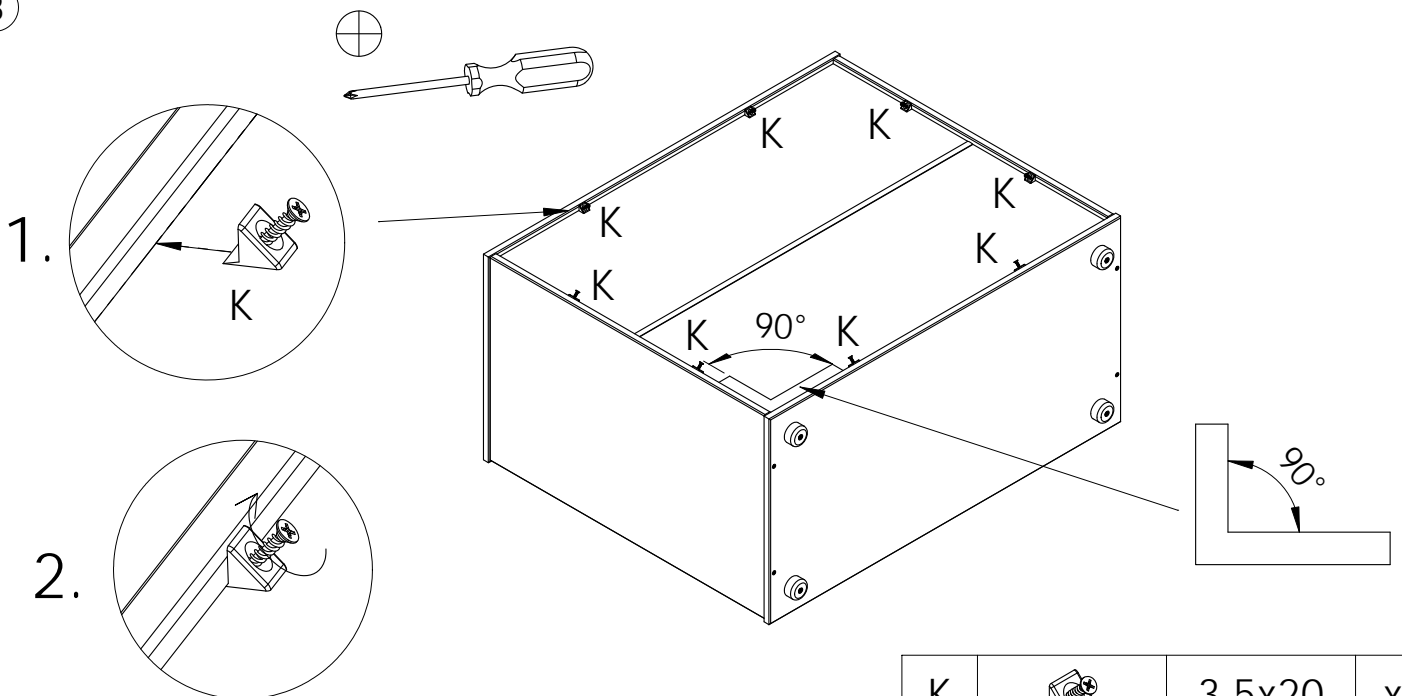
J		816	x1
---	-------------------------------------------------------------------------------------	-----	----


7

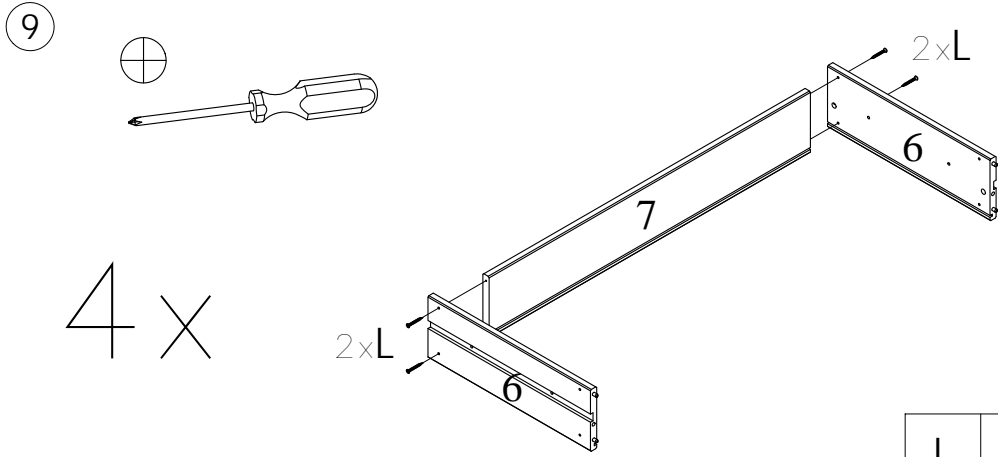


H		10x11	x6
---	---------------------------------------------------------------------------------------	-------	----

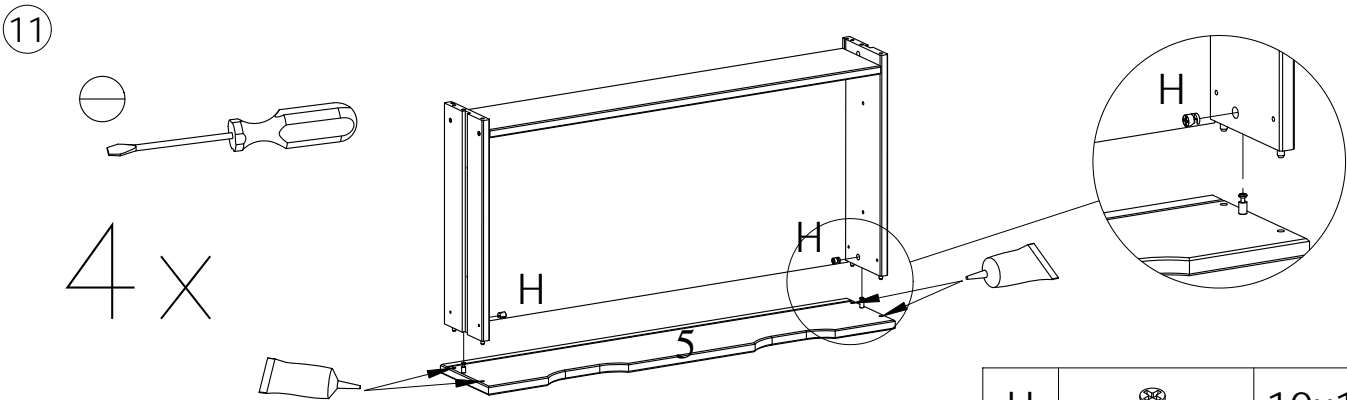
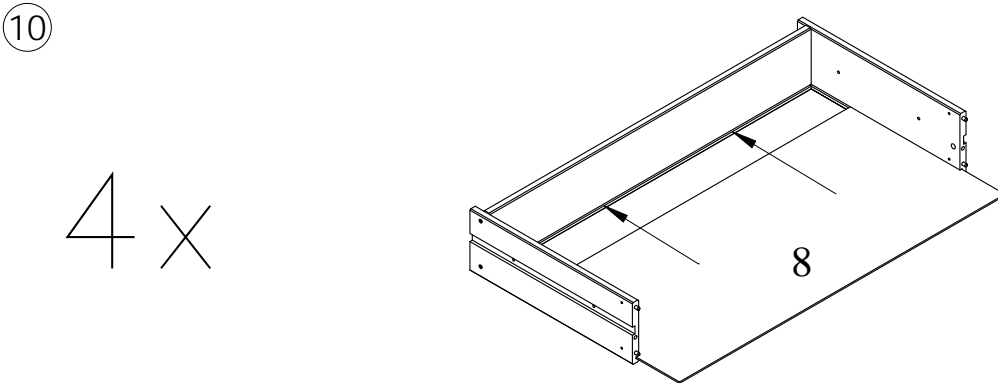
8



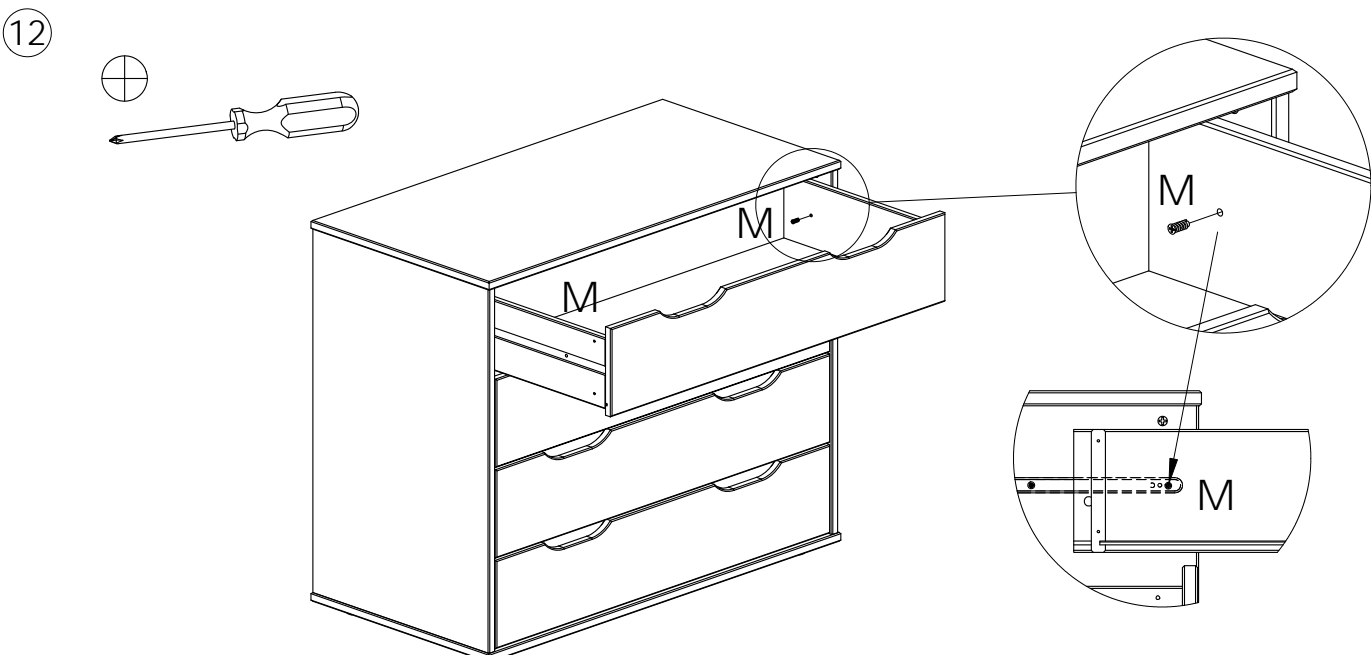
K		3,5x20	x8
---	---------------------------------------------------------------------------------------	--------	----



L		3,5x35	x16
---	--	--------	-----



H		10x11	x8
---	--	-------	----



M		14,5x6,1x7,8	x8
---	--	--------------	----