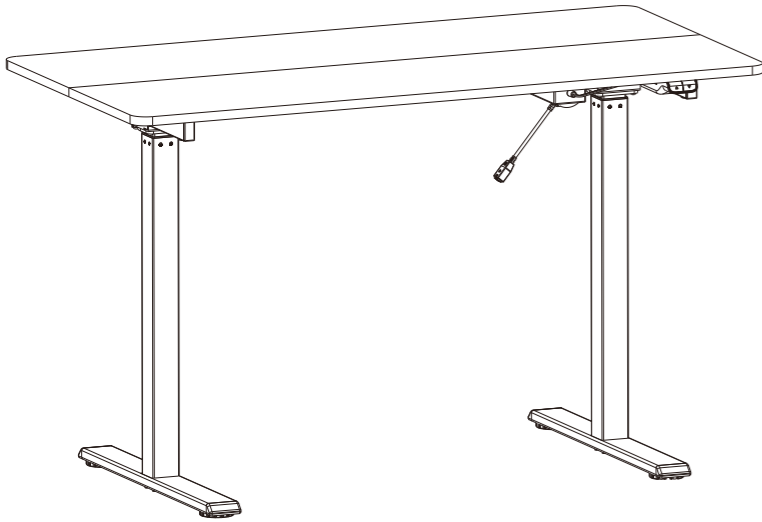


Item No.: 40253 SX3 / 40253 WW3

Installation guide

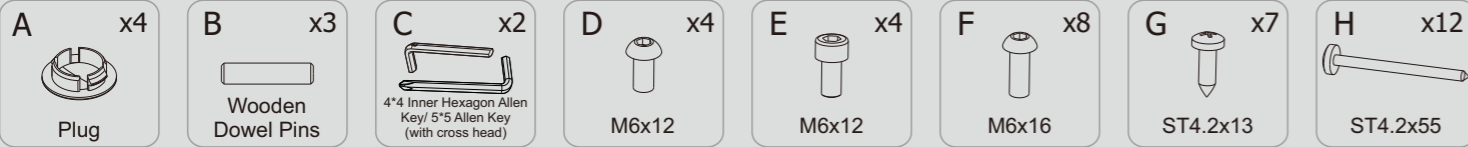


Technical data

Item No.	ET116G-2P4824
Column Stage	2
Max. Load Capacity	50KG
Max. Speed	25mm/s
Height Range	730-1230mm (with tabletop)
Tabletop Dimension	1200x600x16mm Particle Board
Frequency	10% (Work continuously for 2 minutes, pause for 18 minutes)
Temperature	0-40°C

Accessory list

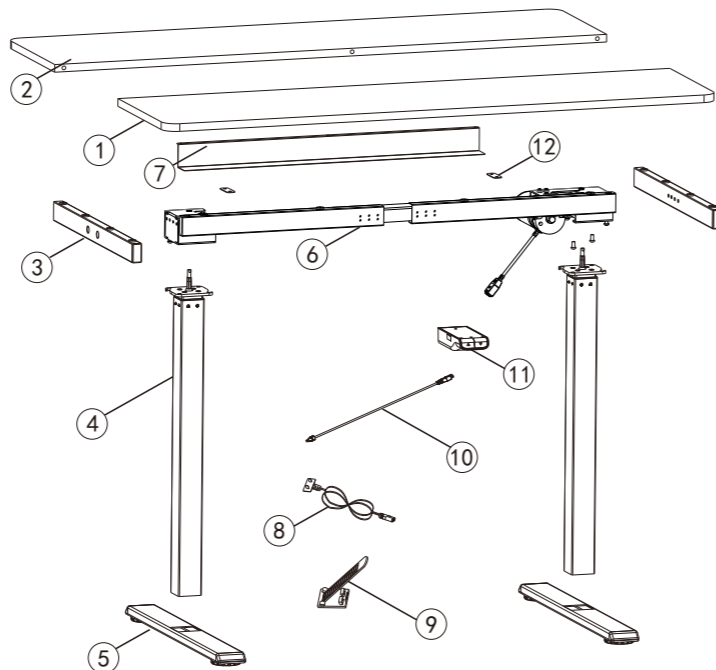
Attention: The drawings below are for guidance only and they may differ slightly from the product and fittings received. Please contact customer service department if there are any missing tools or installation problems.



Component List

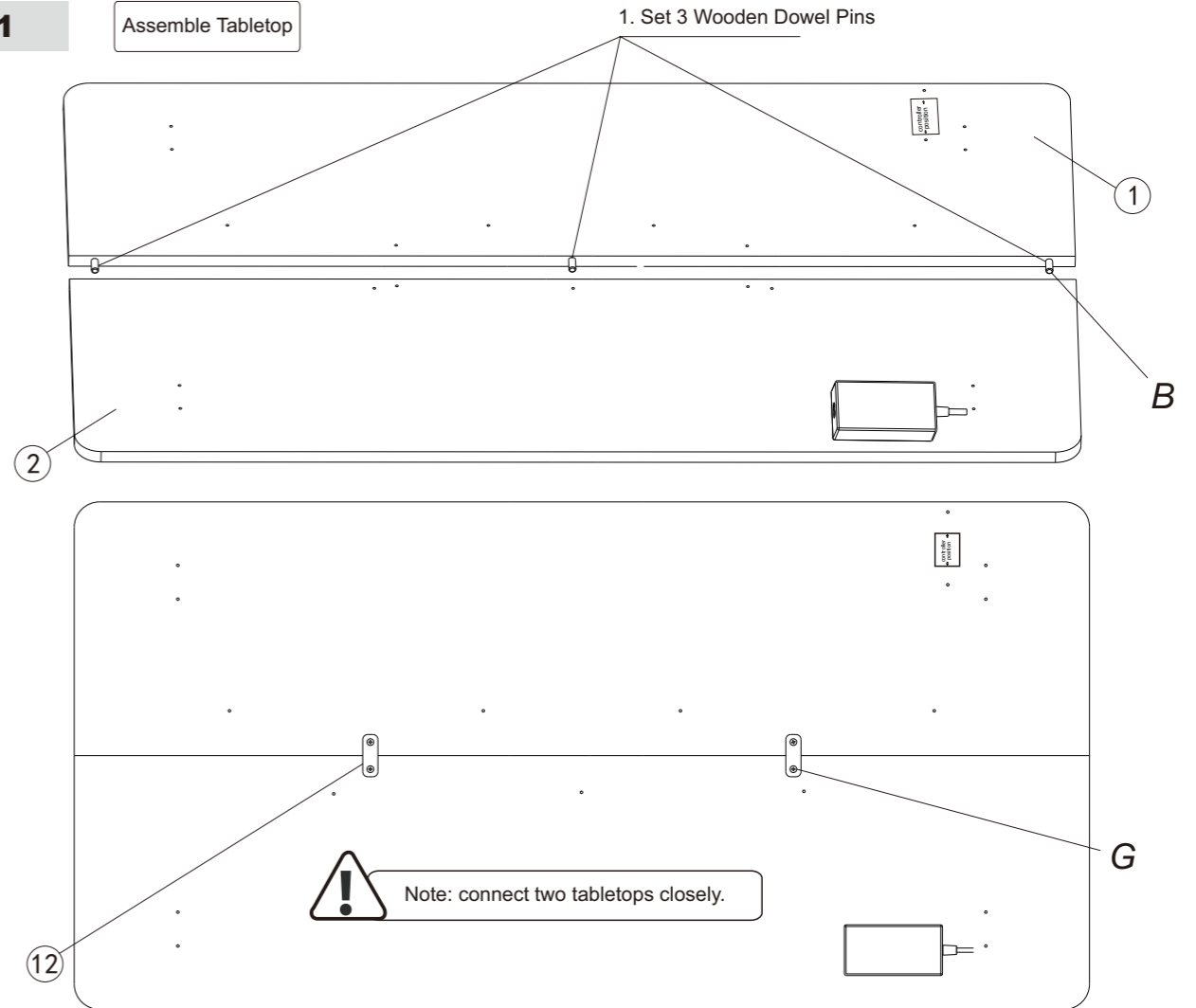
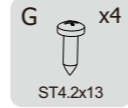
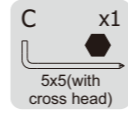
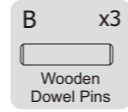
No.	Part	Qty	No.	Part	Qty
①	Front Tabletop	1	②	Back Tabletop	1
③	Table Support Tube	2	④	Column	2
⑤	Feet	2	⑥	Beam Components	1
⑦	Baffle	1	⑧	Power Plug	1
⑨	Cable Tie	4	⑩	Switch Cord	1
⑪	Handset	1	⑫	Table Connect Sheet Metal	2

Installation Diagram



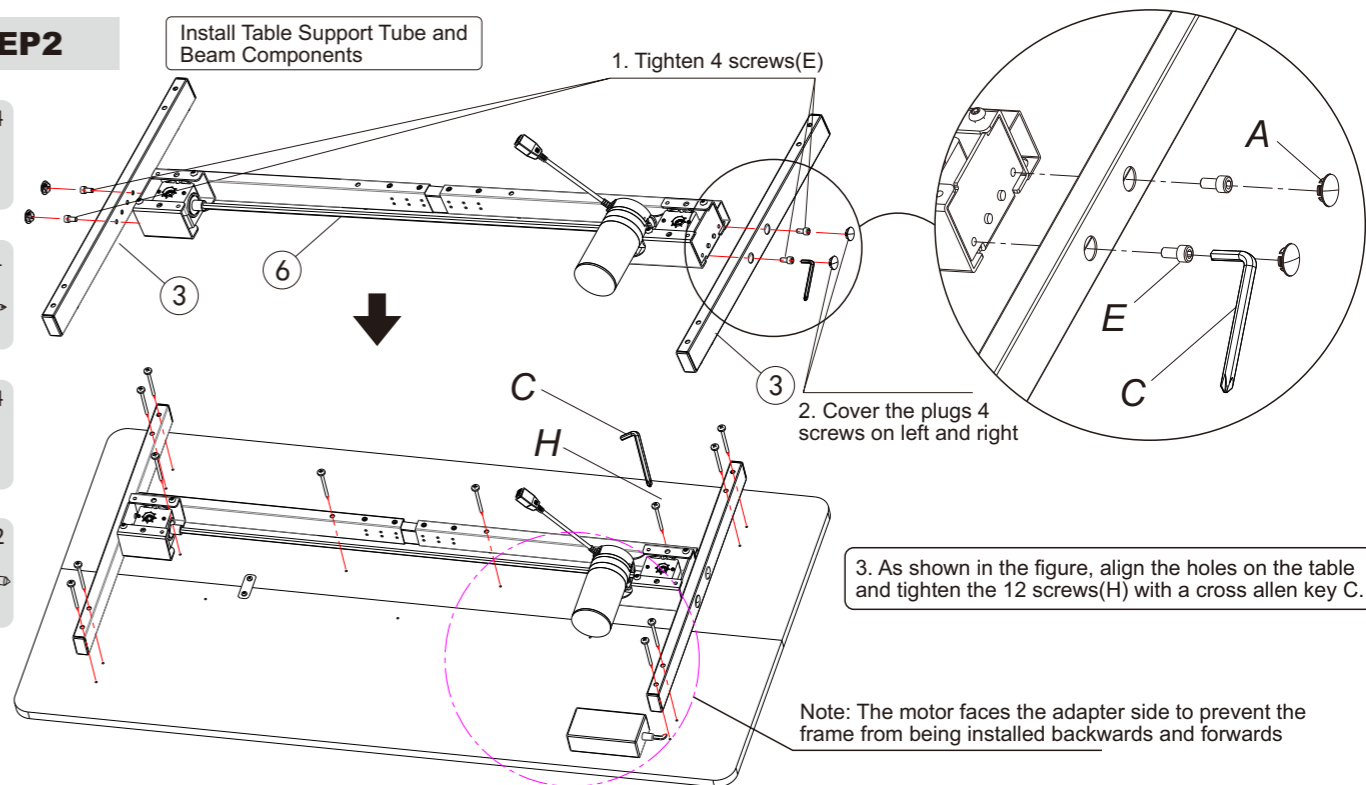
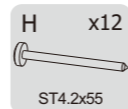
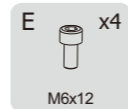
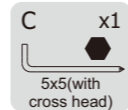
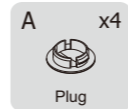
STEP 1

Assemble Tabletop



STEP 2

Install Table Support Tube and Beam Components



STEP3

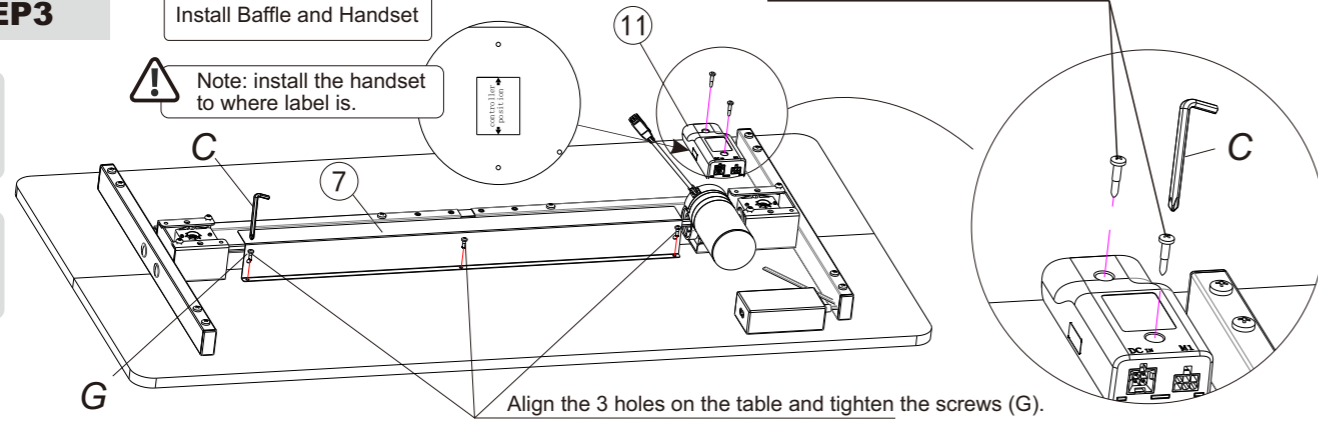
Install Baffle and Handset

C x1
5x5 (with cross head)

G x3
ST4.2x13

⚠ Note: install the handset to where label is.

Tighten the 2 screws with a 5x5 Phillips allen key. The handset packing bag comes with screws.

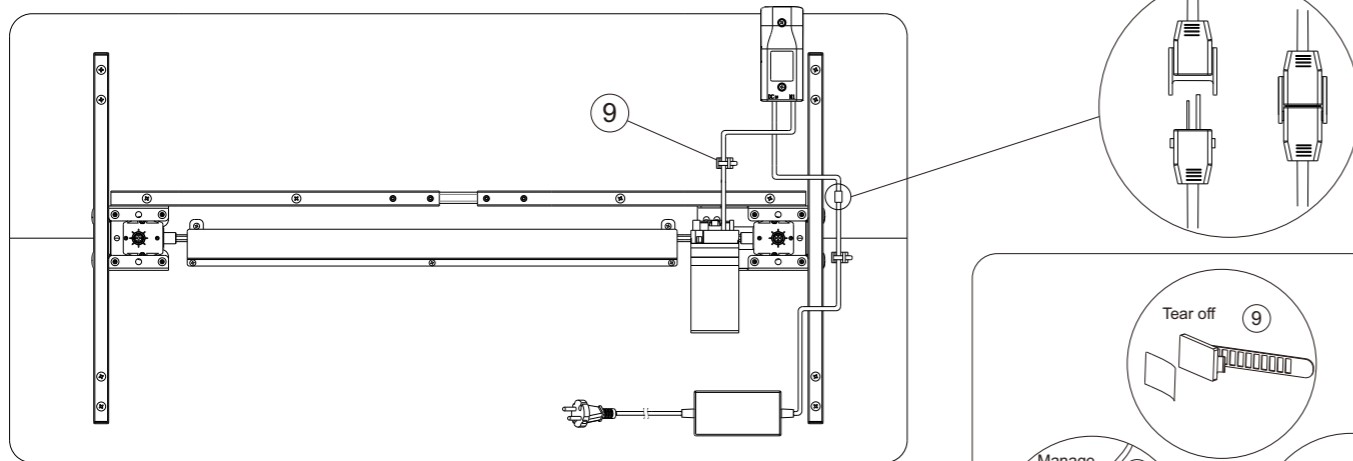


Align the 3 holes on the table and tighten the screws (G).

STEP4

Connect Wires and Fix Cables

Connect the handset (11), adapter and motor as shown in the figure



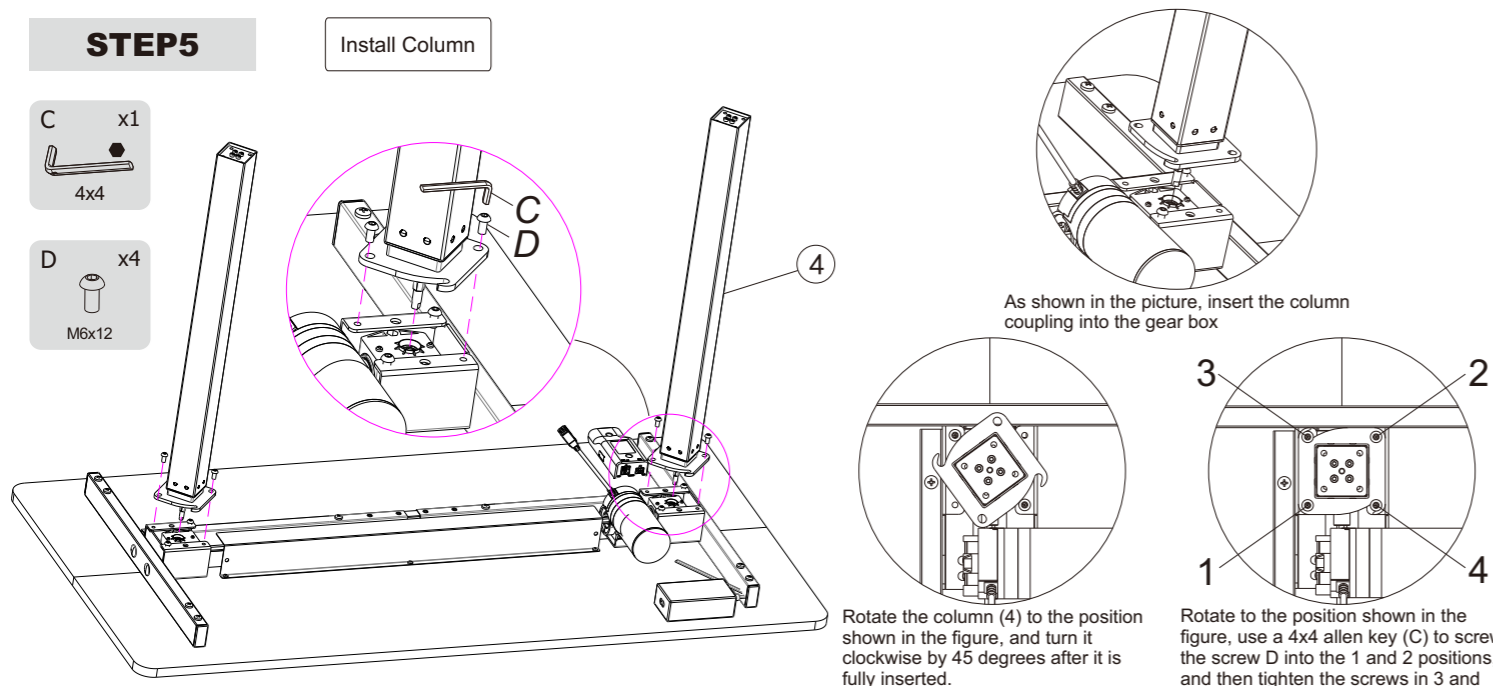
Use the cable tie (9) to sort out the cables in a proper position and keeps the cable organized.

STEP5

Install Column

C x1
4x4

D x4
M6x12



Rotate the column (4) to the position shown in the figure, and turn it clockwise by 45 degrees after it is fully inserted.

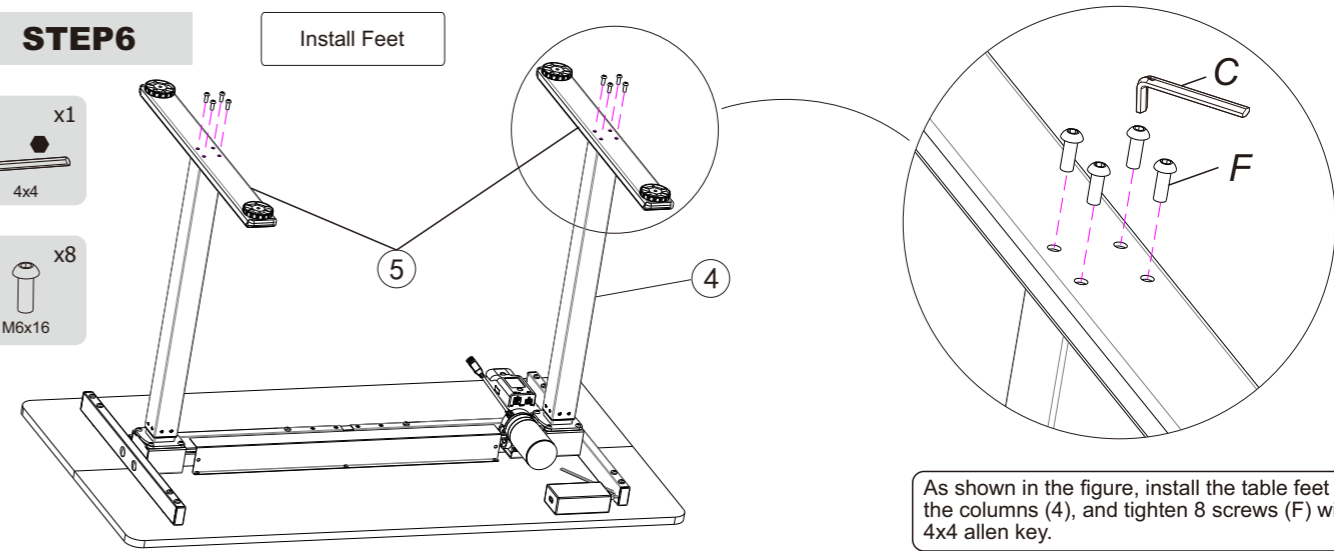
Rotate to the position shown in the figure, use a 4x4 allen key (C) to screw the screw D into the 1 and 2 positions, and then tighten the screws in 3 and 4 positions.

STEP6

Install Feet

C x1
4x4

F x8
M6x16



As shown in the figure, install the table feet (5) on the columns (4), and tighten 8 screws (F) with a 4x4 allen key.

How to use handset

●	“▲”	Adjust the desk upwards
●	“▼”	Adjust the desk downwards

Operation

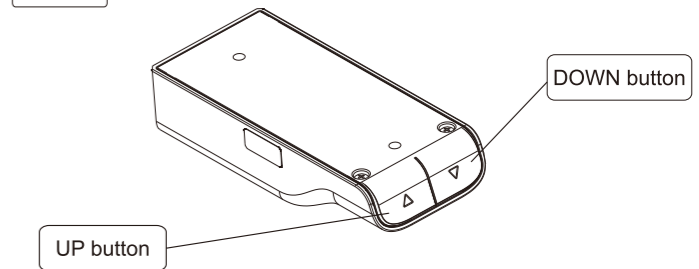
- Button Lift Function
Press the “▲” or “▼” button to adjust the height of the desk.
- Reset Function
(1) When at the lowest position, long press the “▼” button for more than 5 seconds to enter the reset mode. The reset will be finished until the lift system rebound and stop after reaching the bottom.
(2) When the lifting system fails, release the button, long press the “▼” button, the reset will be finished until the lift system rebound and stop after reaching the bottom.

Common fault treatment

The following tips will help you detected and eliminate the common fault and error. If the fault you met is not listed below, please contact with your supplier. Only the manufacturer and professionals are capable for investigating and correcting those fault and error.

Fault phenomenon	Method
No response while long pressing down arrow after connected with a power supply	1.Check if all the cables be connected well 2.Contact your supplier or dealer
The desktop could not be lifted	1.Check if overloaded, max loading: 50kg 2.Contact your supplier or dealer
Overwork (Duty cycle:Max 2min on/18min OFF)	1.Restart it after suspend for 18mins for the working time is too long 2.Contact your supplier or dealer
Go down but not go up	1.Reset 2.Contact your supplier or dealer
Downward sliding	1. Check if overloaded, max loading: 50kg; 2. Contact your supplier or dealer

Button



⚠ Attention

1. Power supply: AC100V~240V,50/60HZ
2. Service Environment: 0~40℃
3. Unplug the power plug before cleaning, wipe the dust on surface with slight wet dishcloth when cleaning, be careful not to let the drops into the internal parts, not loose the connector.
4. The electric box contains electronic components, metals, plastics, wires etc., so dispose of it in accordance with each country's environmental legislation, not the general household waste.
5. Check carefully to ensure correct and complete assembly before using.
6. Be familiar with all functions and program settings of the product before first use.
7. Children are forbidden to play on the product because of unforeseen action when playing, so any dangerous consequences caused by this improper action will not be on manufacturers.
8. Slight noise caused by the V-ribbed belt or brake system due to structure will not have any effect on the use of the equipment.
9. Corrosive or abrasive materials are forbidden to clean the equipment. Must ensure that the cleaner used will not pollute the environment.
10. Please make sure there is no hazard sources in your operating environment, e.g., do not litter the tools around. Always be careful to treat the packaging materials in order to avoid any possible danger, e.g. plastic bag may lead to choking hazard to children.
- 11.Keep the original package of the equipment if necessary in case of the future use in transportation.
12. If there appears damage of the power cord, please contact the manufacturer or a professional for replacement.

Waste disposal



This marking indicates that this product should not be disposed with other household wastes. To prevent possible harm to the environment or human health from uncontrolled waste disposal, recycle it responsibly to promote the sustainable reuse of material resources. To return your used device, please use the return and collection systems or contact the retailer where the product was purchased. They can take this product for environmental safe recycling.



Das Symbol der durchgekreuzten Mülltonne bedeutet, dass elektrische sowie elektronische Teile nicht mit dem Hausmüll entsorgt werden dürfen. Bitte den Gaming Desk beim Recyclinghof getrennt entsorgen.



The crossed-out bin means that this product includes electrical and electronic pieces that must not be disposed of in the regular domestic waste. Please dispose the Gaming desk separately at the recycling centre.