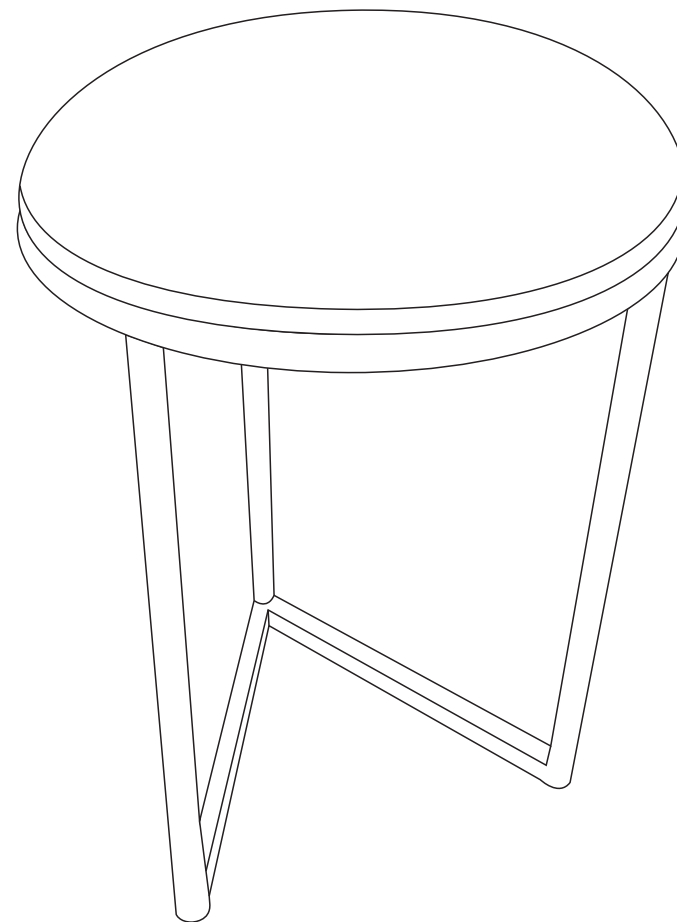
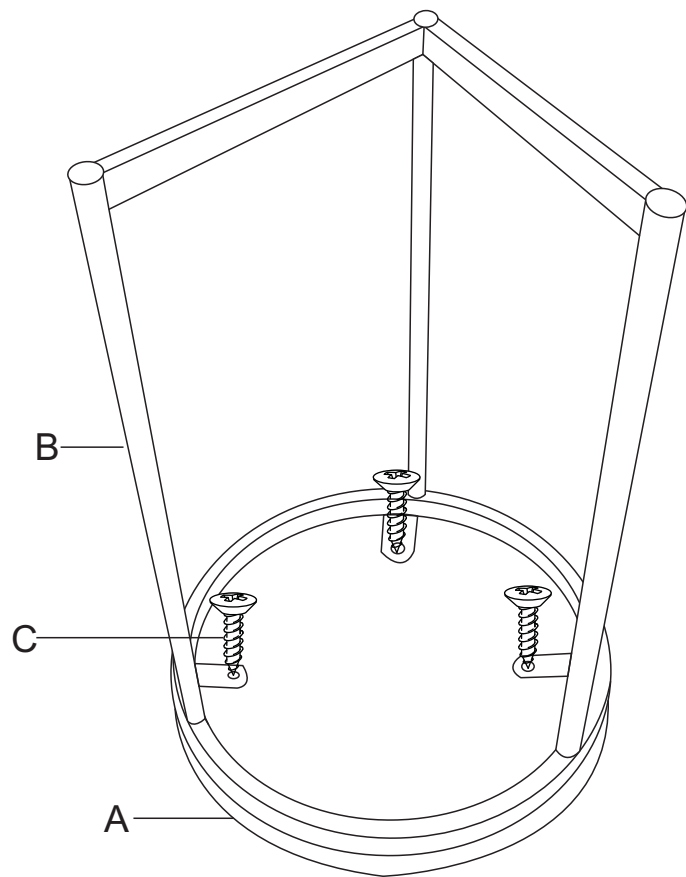


ASSEMBLY INSTRUCTION

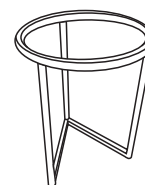


A



1

B



1

C



3