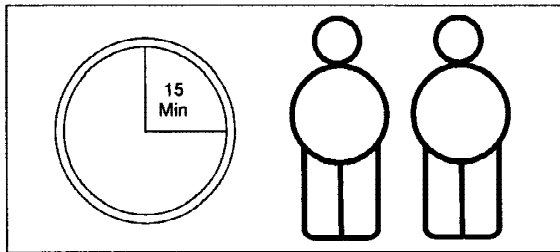
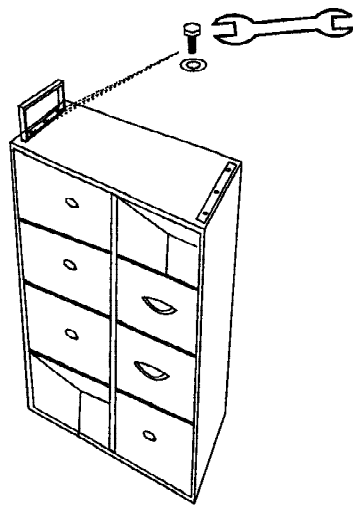
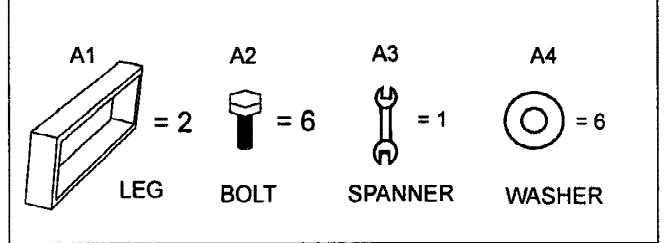


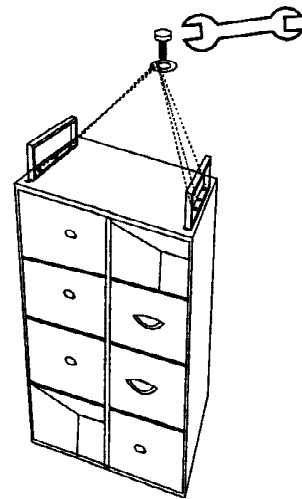
Art. Nr. 60416



HARDWARE



STEP 1



STEP 2

ASSEMBLED PRODUCT

