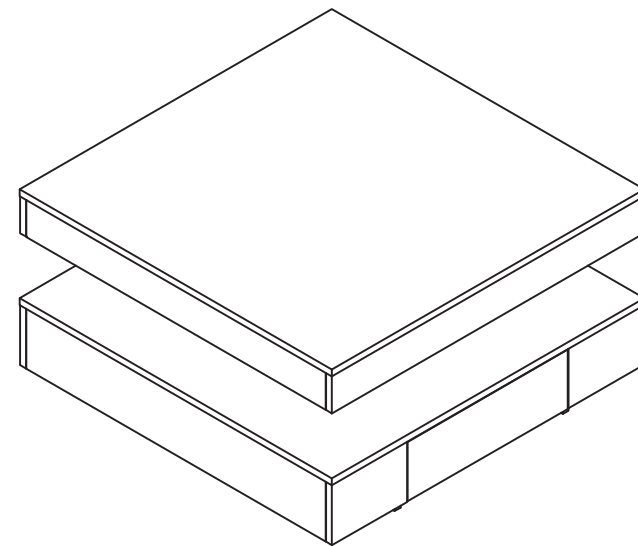


# Assembly Instructions

---

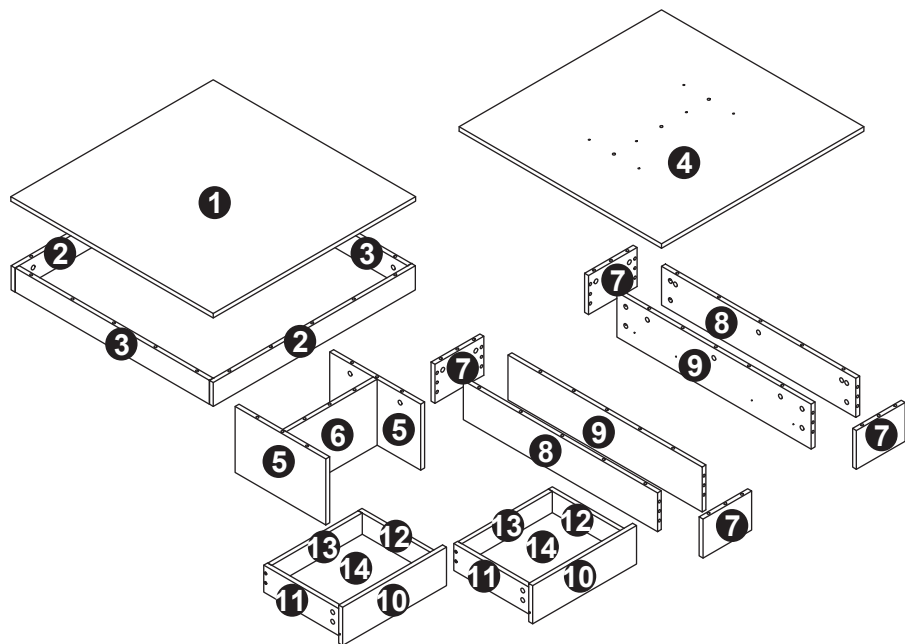
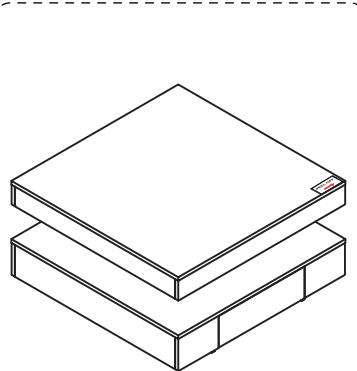
CT07304201GR



## Part List

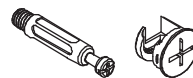


Open the package, and put the item on the mat with care. Please install it carefully to ensure your fingers will not be scratched.



## Hardware List

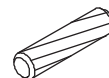
**A**



M15\*34

×70

**B**



M8\*30

×40

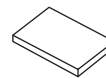
**C**



M3.5\*40

×6

**D**



×4

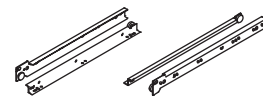
**E**



LED

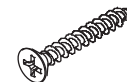
×1

**F**



×2

**G**



M3.5\*30

×8

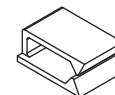
**H**



M3.5\*14

×16

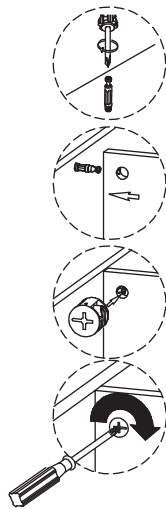
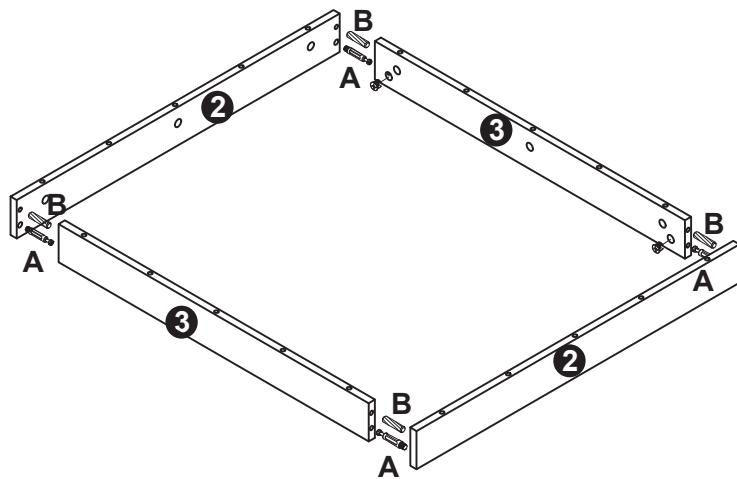
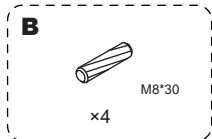
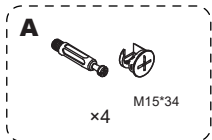
**I**



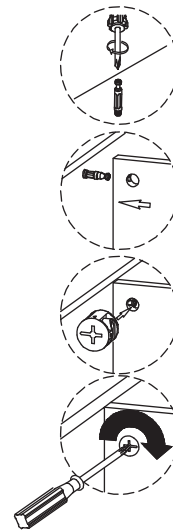
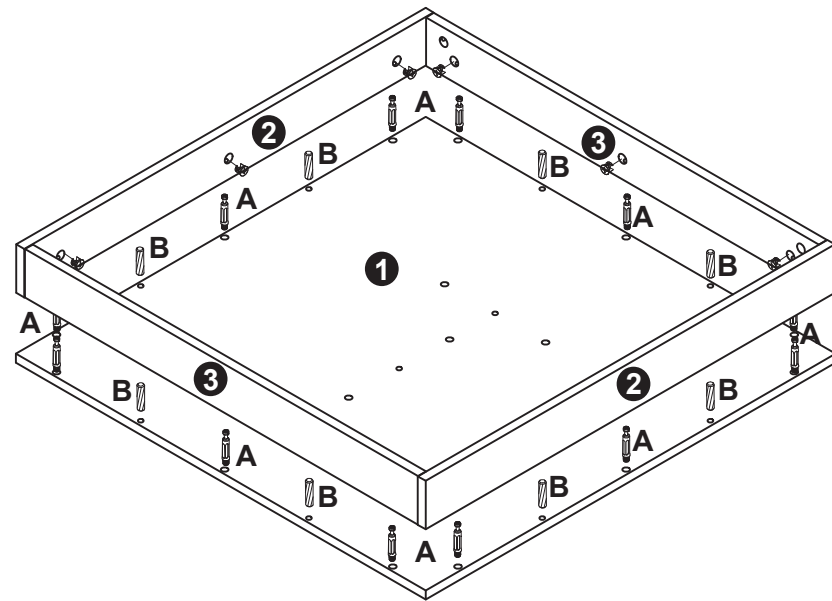
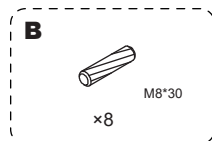
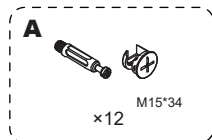
×8

**Start...**

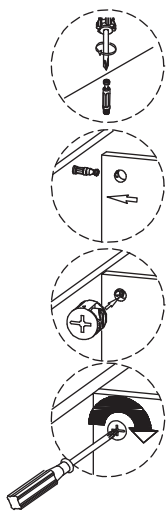
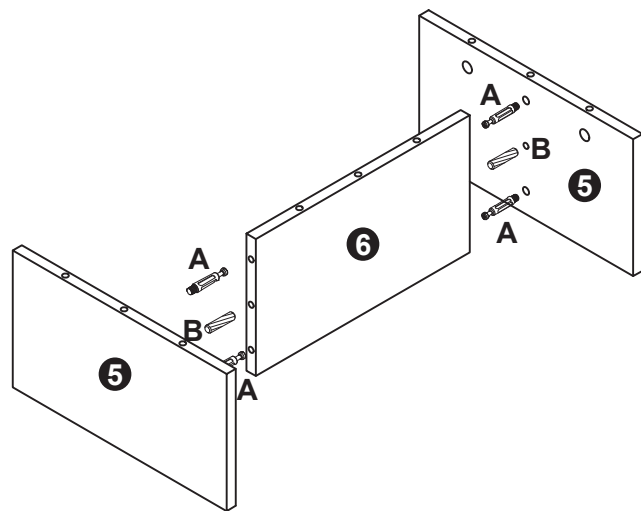
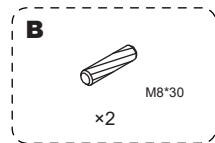
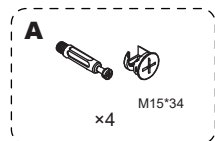
**| Step1**



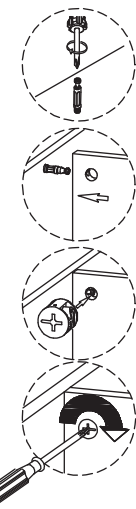
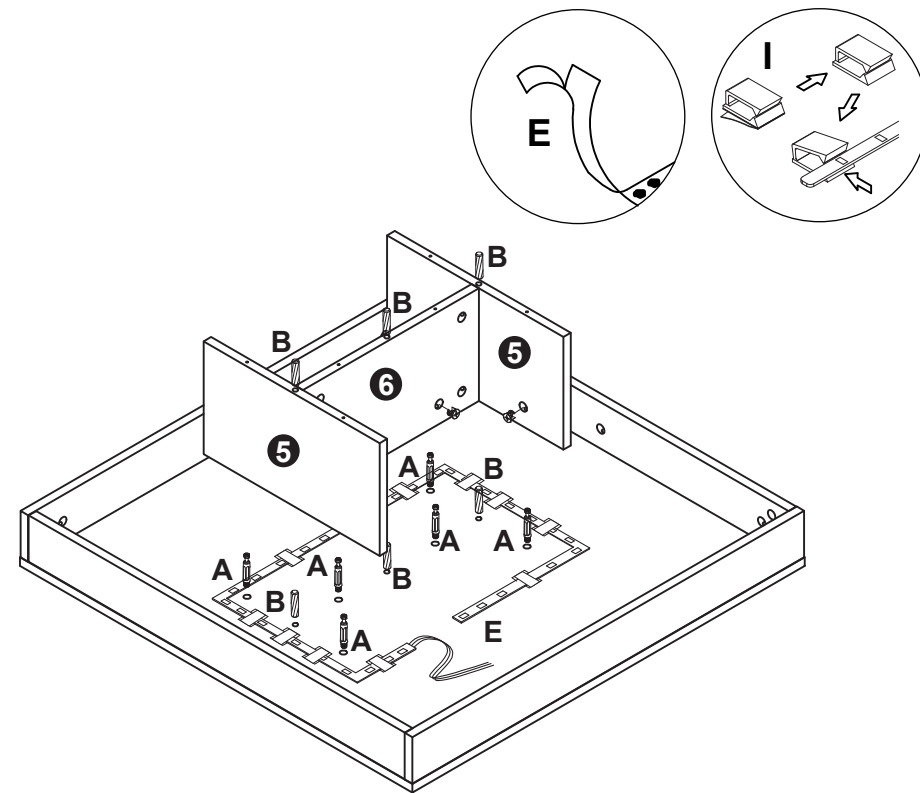
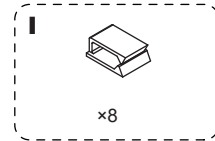
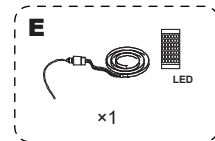
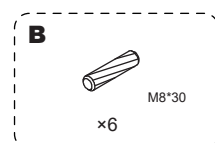
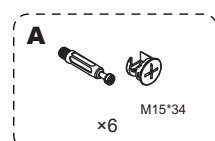
**| Step2**



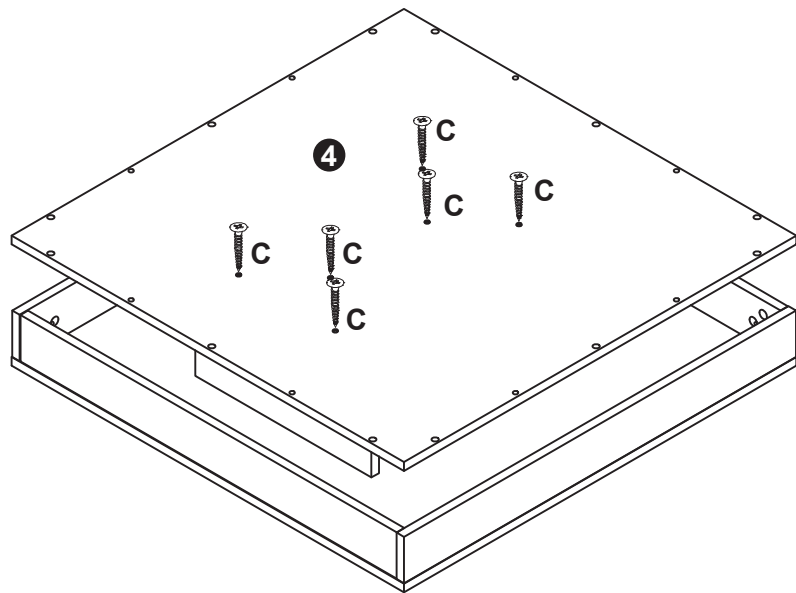
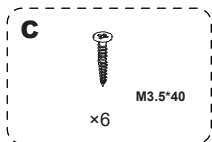
### | Step3



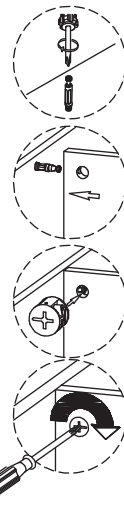
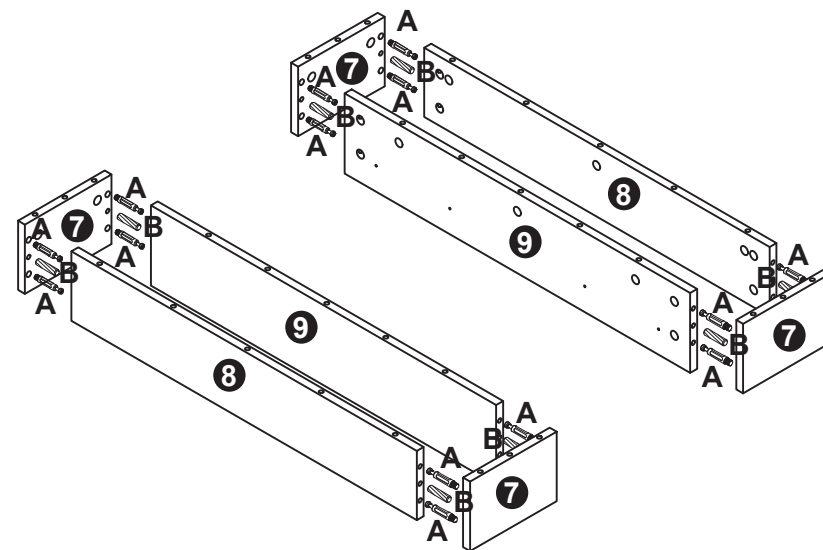
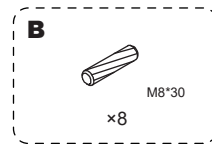
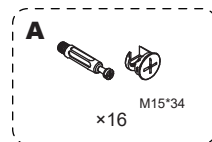
### | Step4



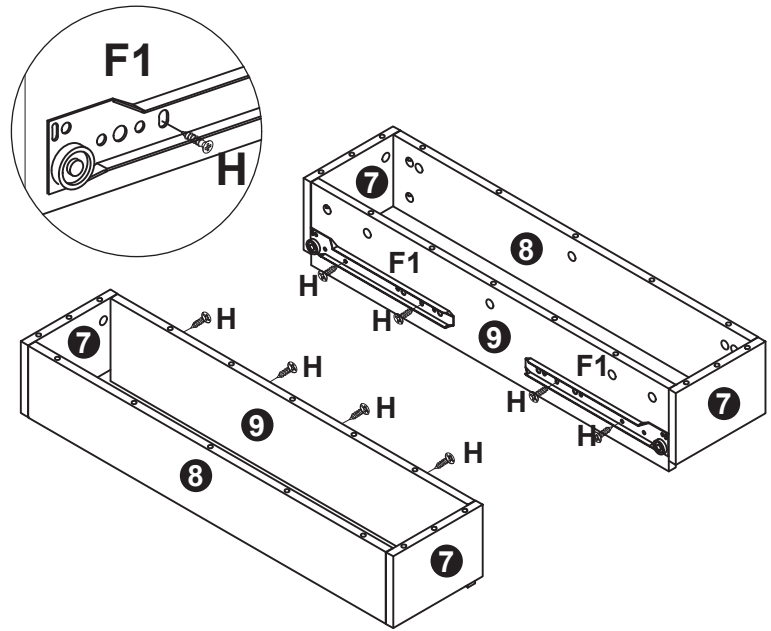
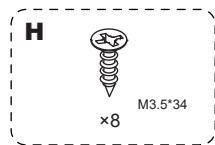
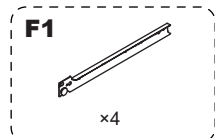
### | Step5



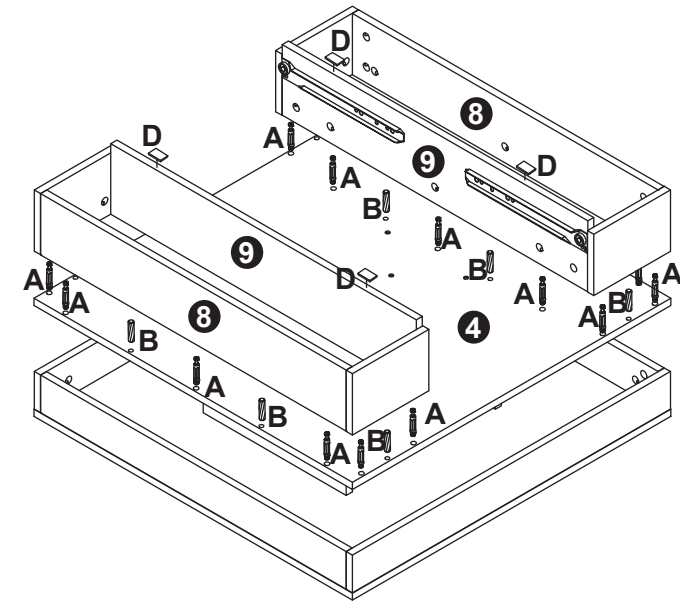
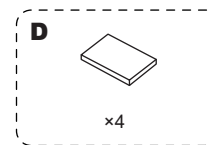
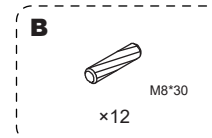
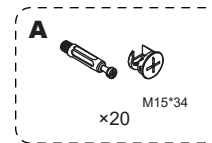
### | Step6



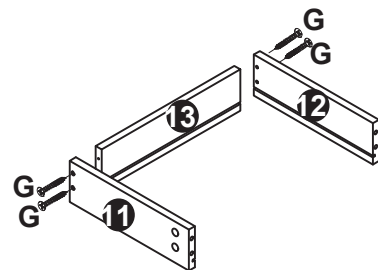
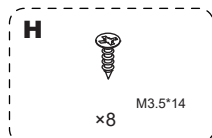
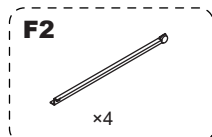
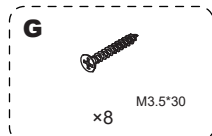
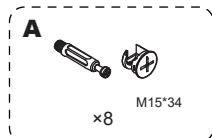
### | Step7



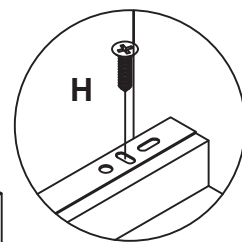
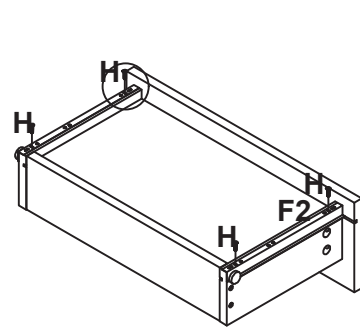
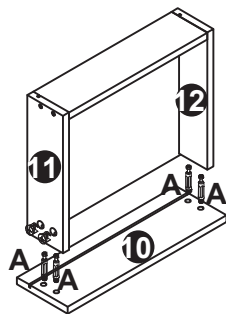
### | Step8



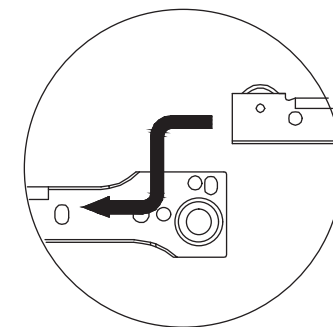
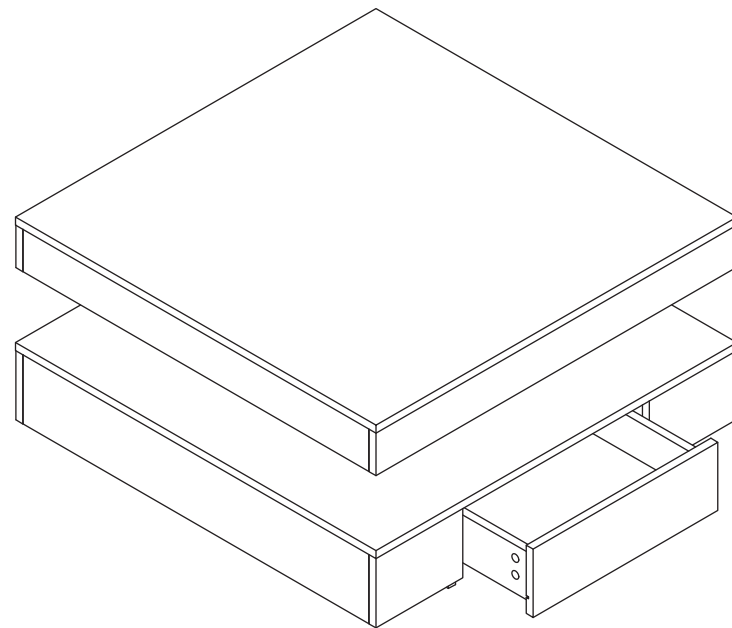
| Step9



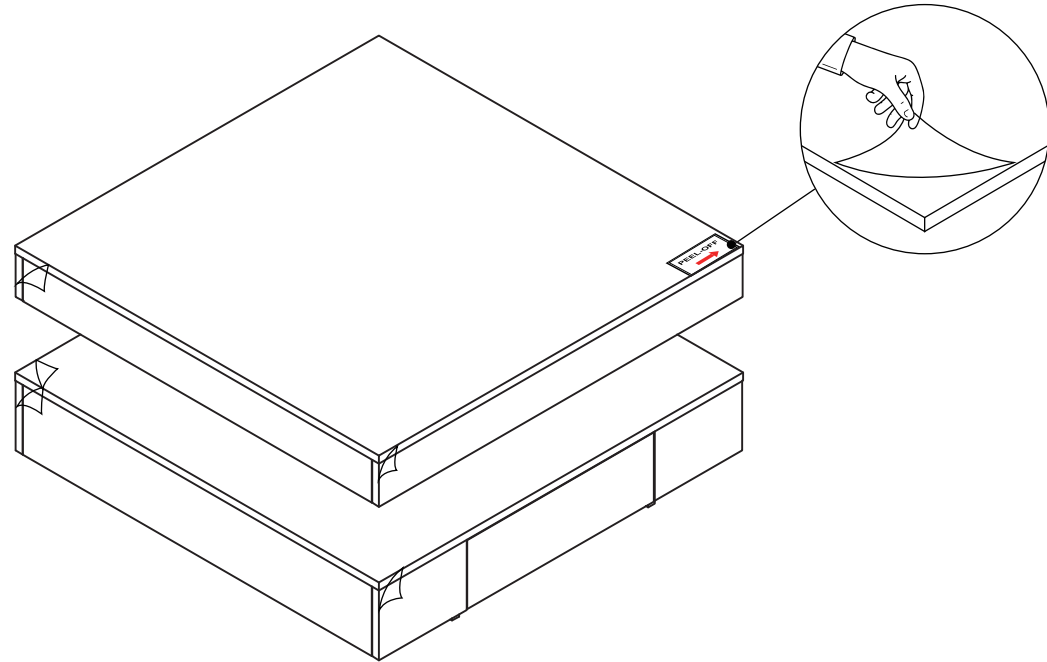
X2



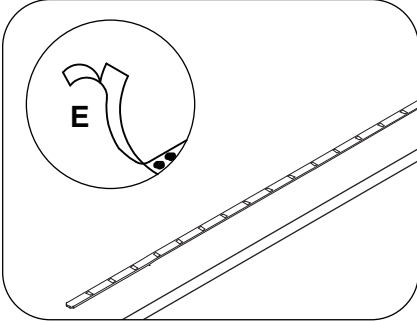
| Step10



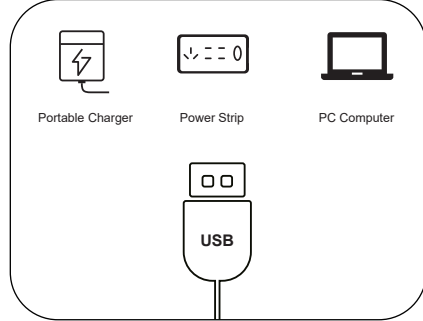
| Step11



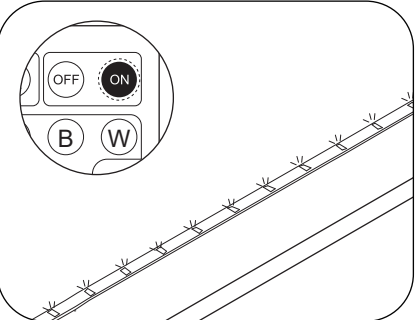
**Installation Diagram  
of Light Belt**



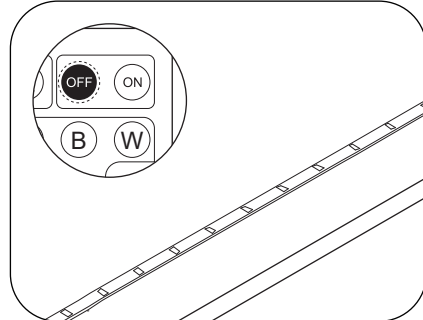
1



2



3



4