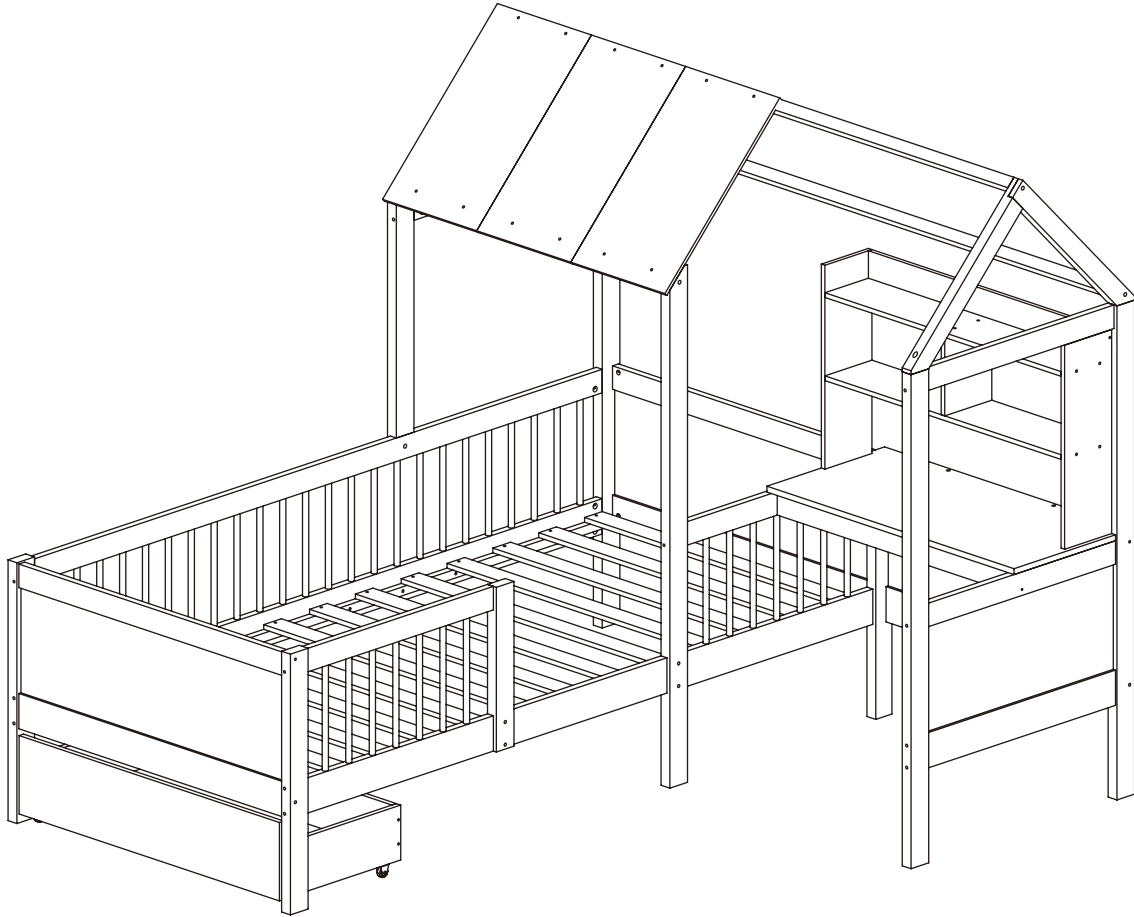
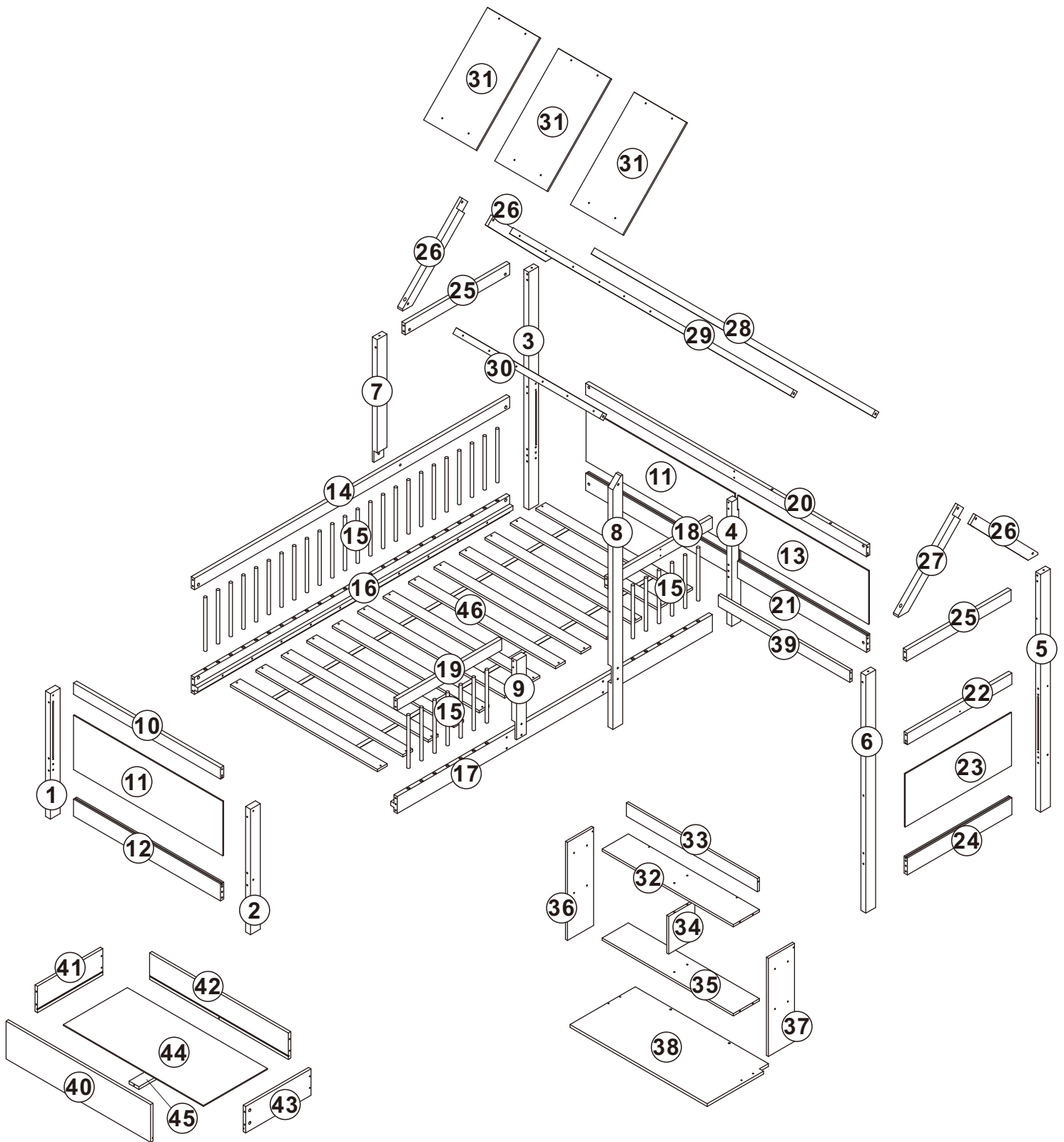


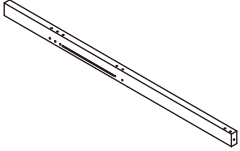

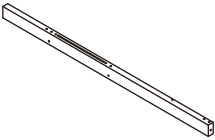
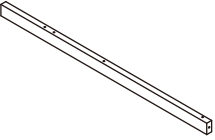

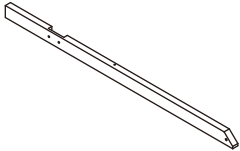

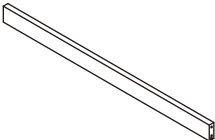
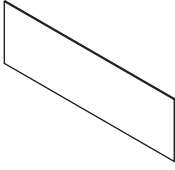
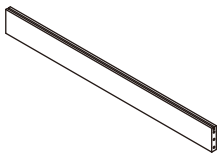
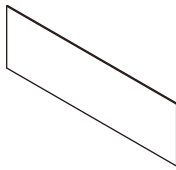
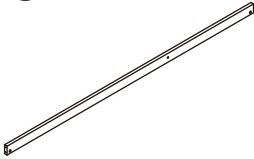

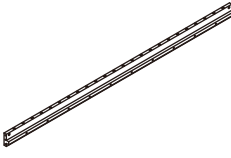
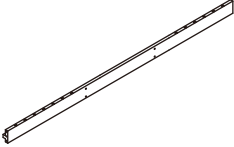
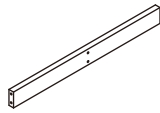
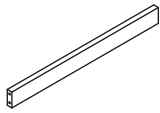
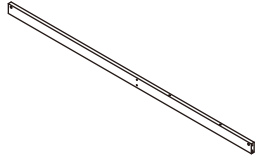
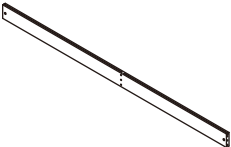
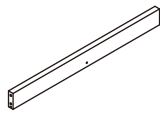
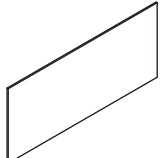
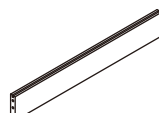
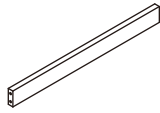
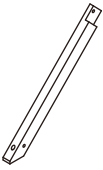

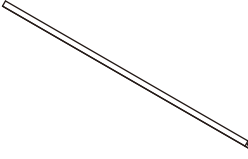
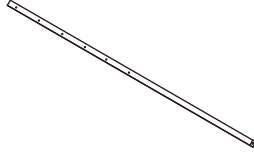
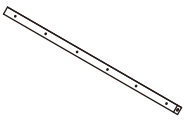
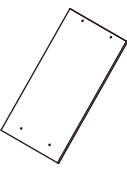
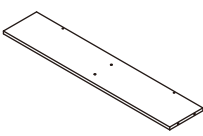
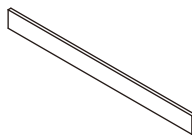
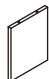
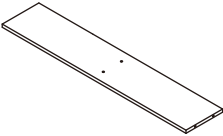


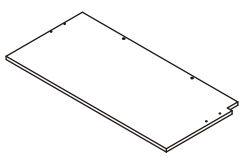
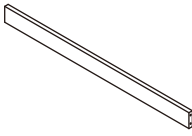
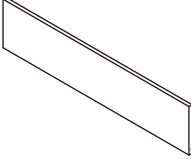


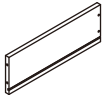
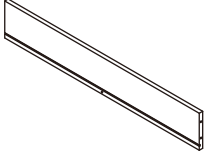
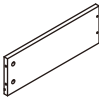
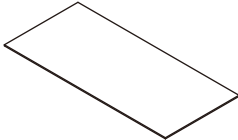

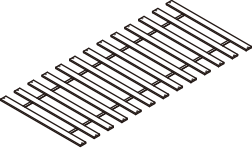
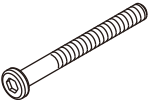

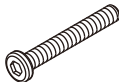
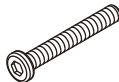

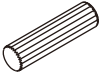



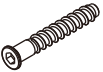



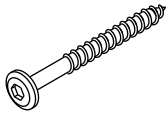

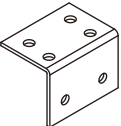
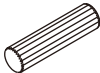


# INSTRUCTION MANUAL

## Bed Frame

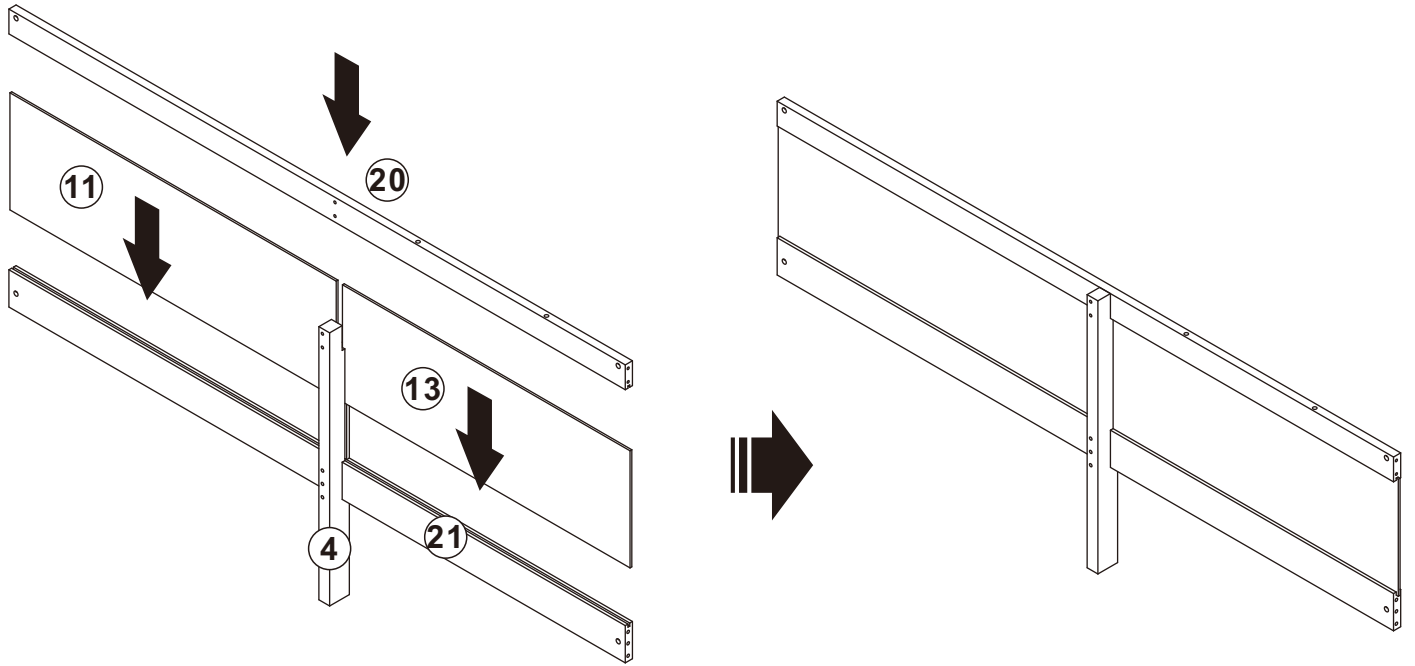




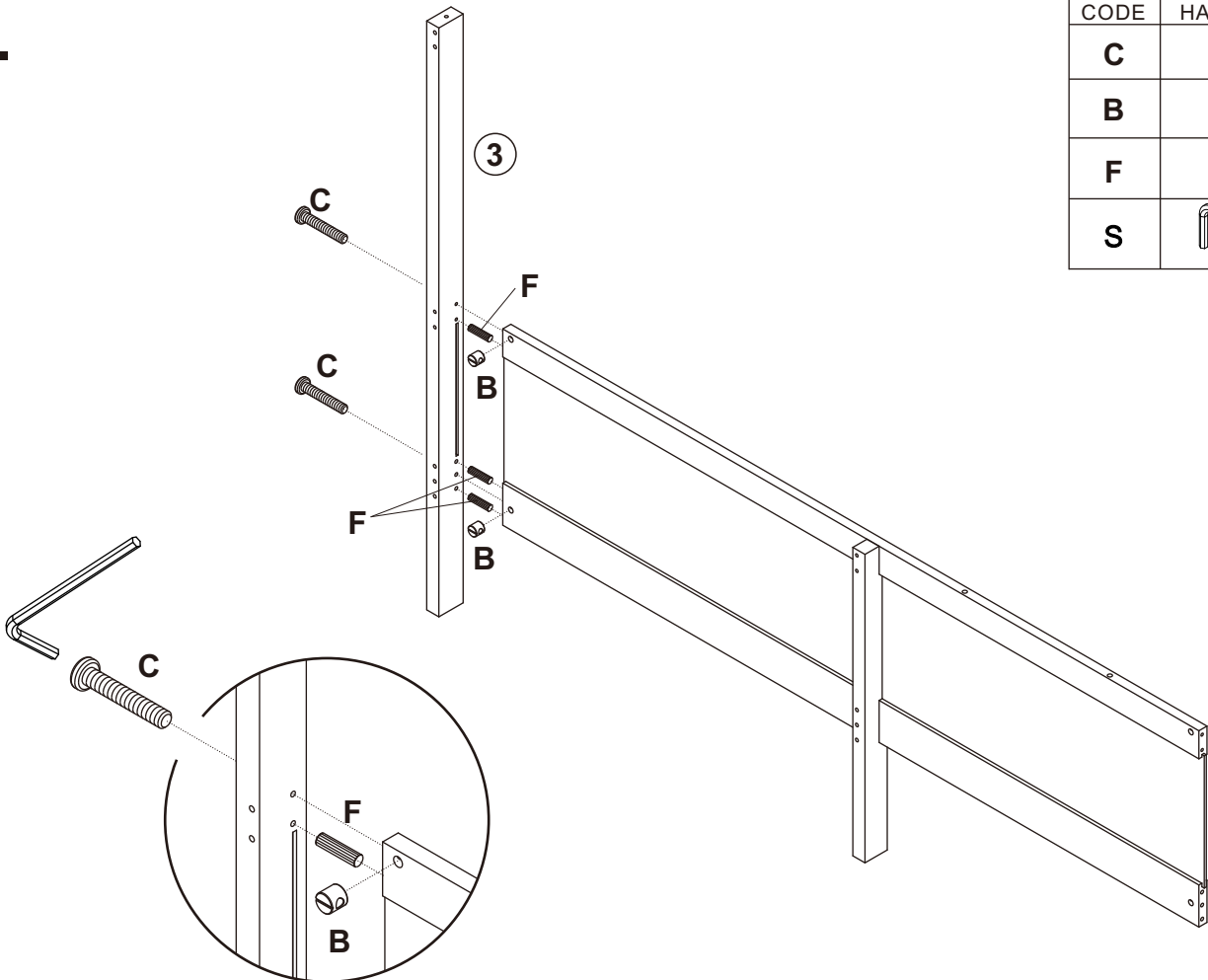
|  |   |   |   |   |
|--|---|---|---|---|
| ① -1pcs<br>   | ② -1pcs<br>  | ③ -1pc<br>   | ④ -1pc<br>   | ⑤ -1pcs<br>  |
| ⑥ -2pcs<br>   | ⑦ -3pcs<br>  | ⑧ -1pc<br>   | ⑨ -1pc<br>   | ⑩ -1pc<br>   |
| ⑪ -1pc<br>    | ⑫ -1pc<br>   | ⑬ -2pcs<br>  | ⑭ -2pcs<br>   | ⑮ -38pcs<br> |
| ⑯ -1pcs<br>  | ⑰ -1pcs<br> | ⑱ -1pc<br>  | ⑲ -1pc<br>   | ⑳ -1pc<br>  |
| ㉑ -1pc<br>  | ㉒ -1pc<br> | ㉓ -1pc<br> | ㉔ -1pc<br>  | ㉕ -1pc<br> |
| ㉖ -3pcs<br> | ㉗ -1pc<br> | ㉘ -1pc<br> | ㉙ -1pc<br>  | ㉚ -1pc<br> |
| ㉛ -3pcs<br> | ㉜ -1pc<br> | ㉝ -1pc<br> | ㉞ -1pc<br> | ㉟ -1pc<br> |
| ㊱ -1pc<br>  | ㊲ -1pc<br> | ㊳ -1pc<br> | ㊴ -1pc<br>  | ㊵ -1pc<br> |





|   |   |   |  |  |
|---|---|---|--|--|
| <b>41</b> -1pc<br>             | <b>42</b> -1pc<br>             | <b>43</b> -1pc<br>             | <b>44</b> -1pc<br>             | <b>45</b> -1pc<br>            |
| <b>46</b> -1pc<br>             |   |   |  |  |
| <b>A</b> -24pcs<br><br>M6*100  | <b>B</b> -34pcs<br>            | <b>C</b> -8pcs<br><br>M6*70    | <b>D</b> -2pcs<br><br>M6*60   | <b>E</b> -5pcs<br><br>M6*20   |
| <b>F</b> -27pcs<br><br>8*40  | <b>G</b> -5pcs<br><br>M6*20  | <b>H</b> -7pcs<br>            | <b>J</b> -7pcs<br>          | <b>K</b> -24pcs<br><br>M5*40 |
| <b>L</b> -32pcs<br><br>M4*30 | <b>M</b> -12pcs<br><br>M4*25 | <b>N</b> -14pcs<br><br>M4*15 | <b>O</b> -11pcs<br><br>M6*70 | <b>P</b> -4pcs<br><br>28mm  |
| <b>Q</b> -1pc<br>            | <b>R</b> -2pcs<br><br>6*30   | <b>S</b> -2pcs<br><br>4L     | <b>T</b> -1pc<br><br>3L     |  |
|   |   |   |  |  |
|   |   |   |  |  |

1.







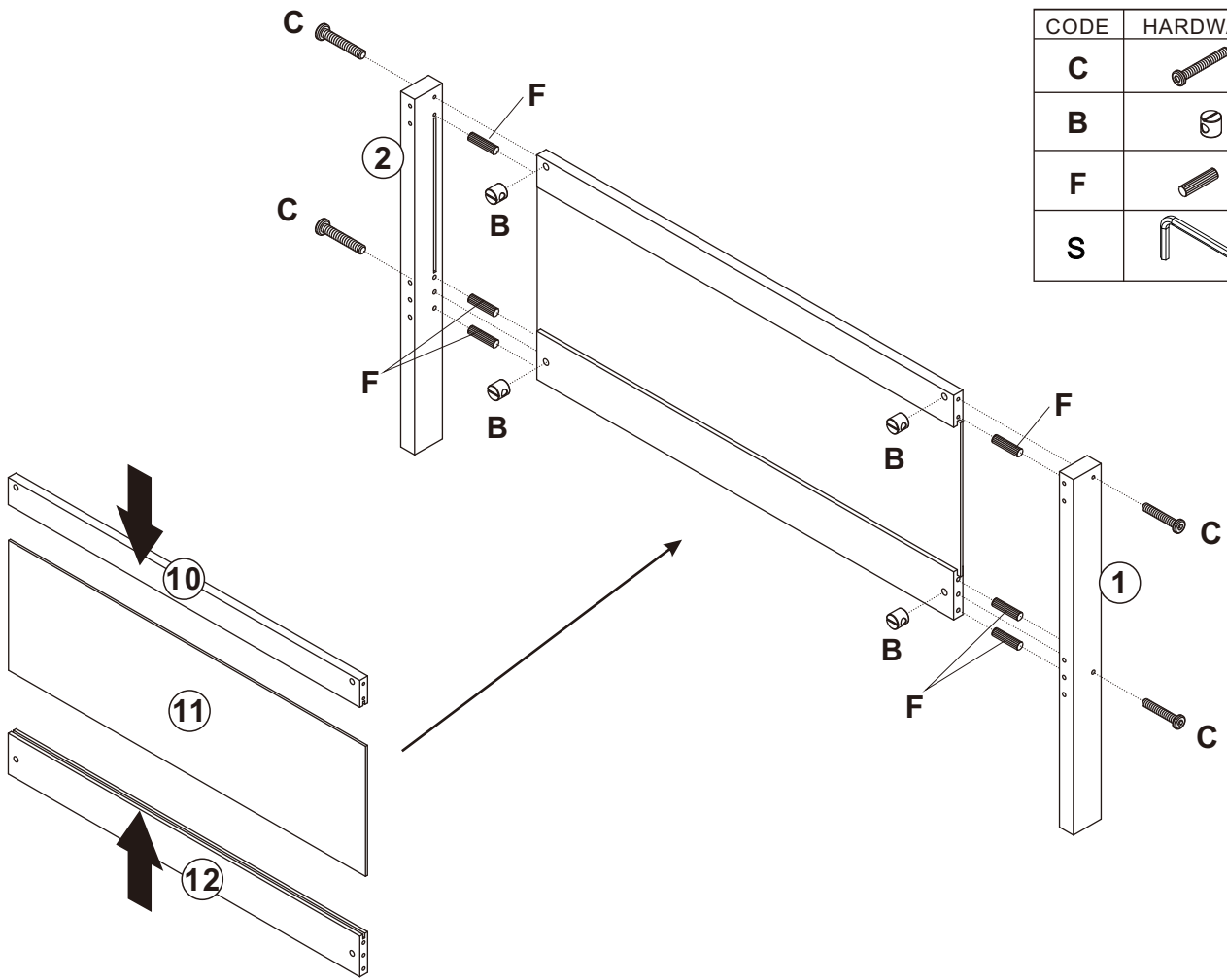
2.



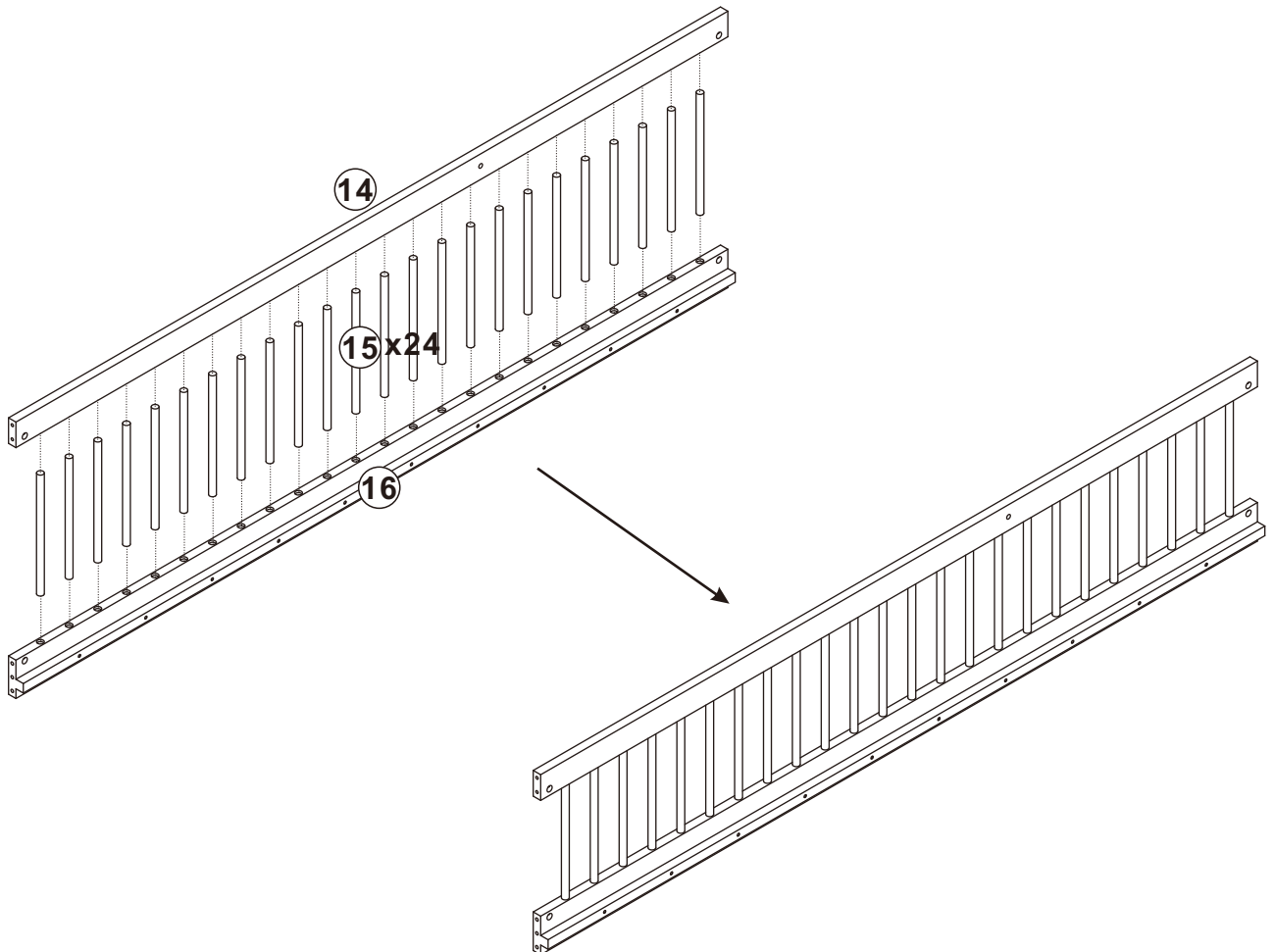
| CODE | HARDWARE  | QTY |
|------|---|-----|
| C    |  | 2   |
| B    |  | 2   |
| F    |  | 3   |
| S    |  | 1   |

3.

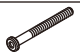



| CODE | HARDWARE  | QTY |
|------|---|-----|
| C    |  | 4   |
| B    |  | 4   |
| F    |  | 6   |
| S    |  | 1   |

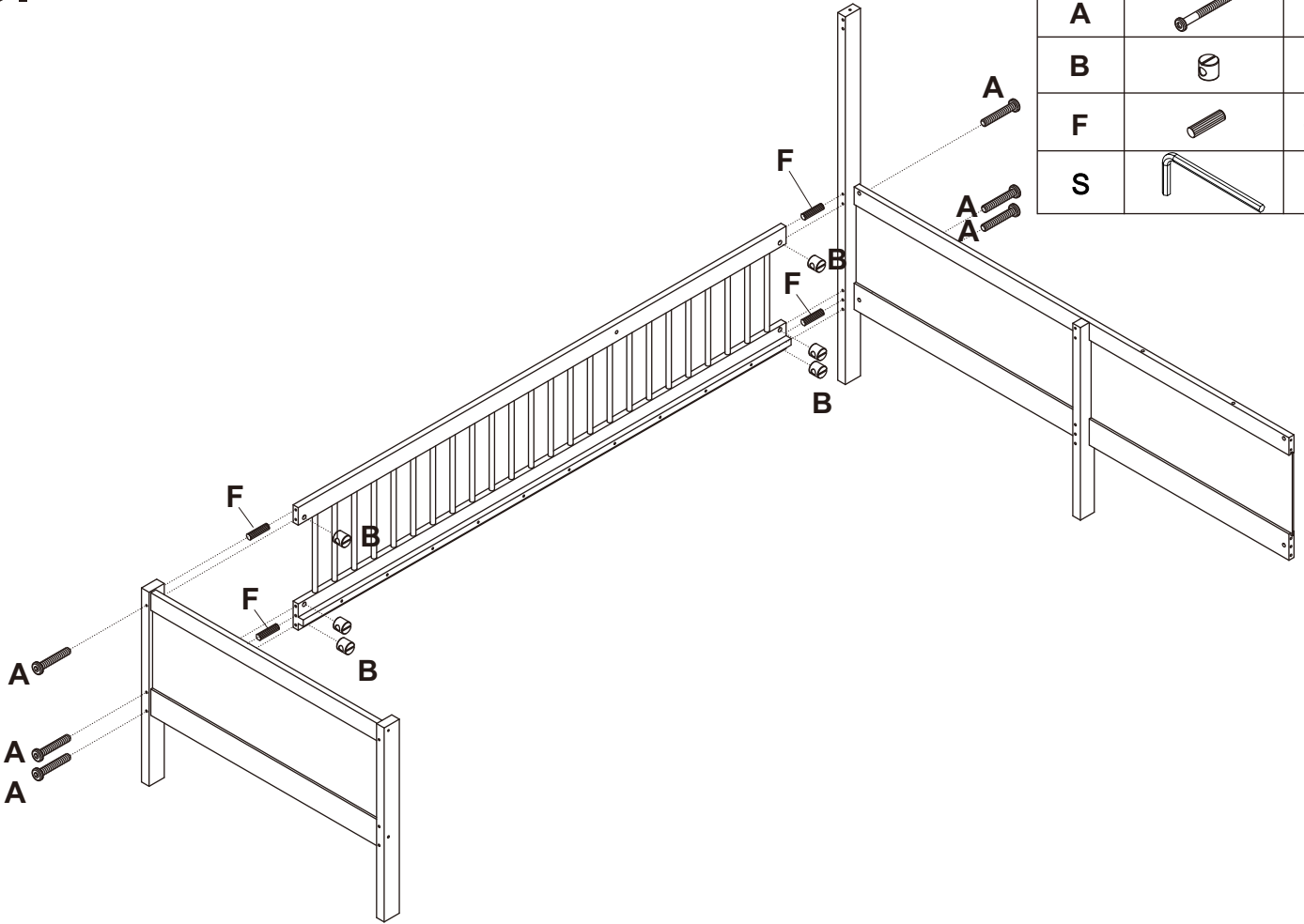


4.









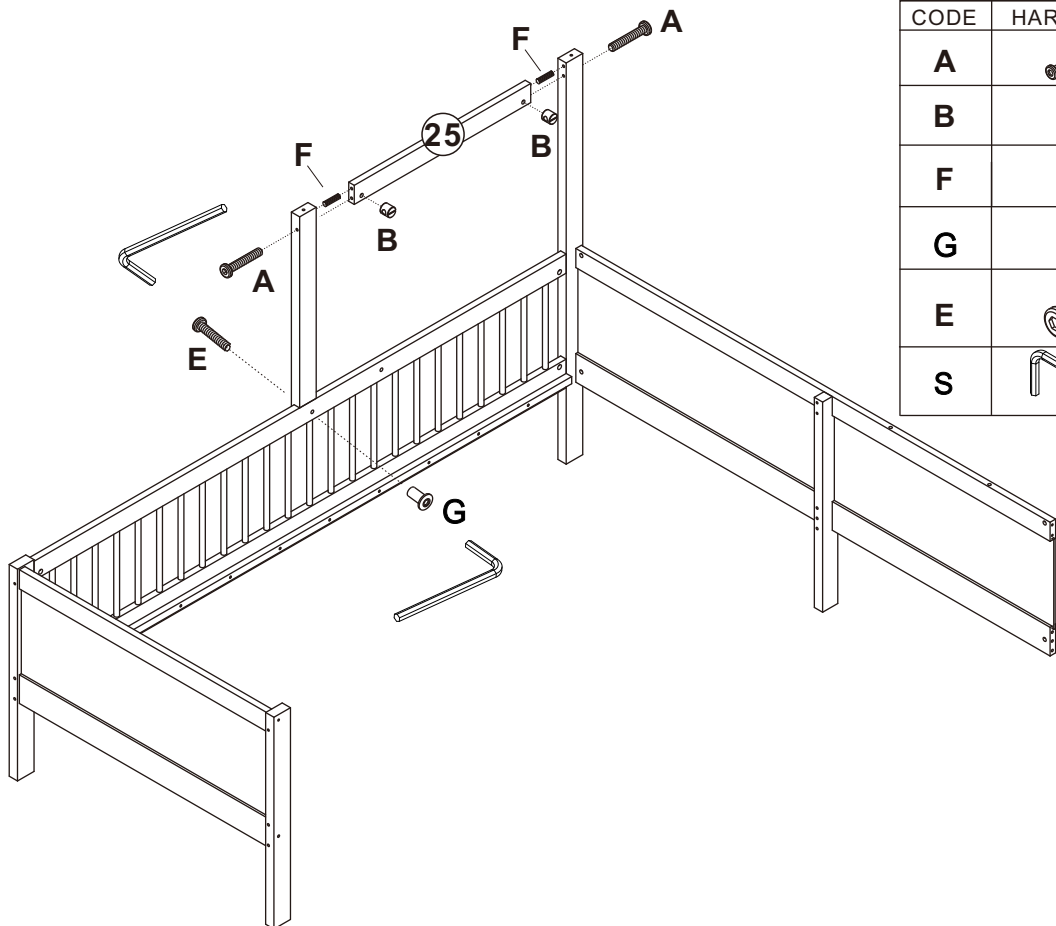
5.

| CODE | HARDWARE  | QTY |
|------|---|-----|
| A    |   | 6   |
| B    |  | 6   |
| F    |  | 4   |
| S    |  | 1   |

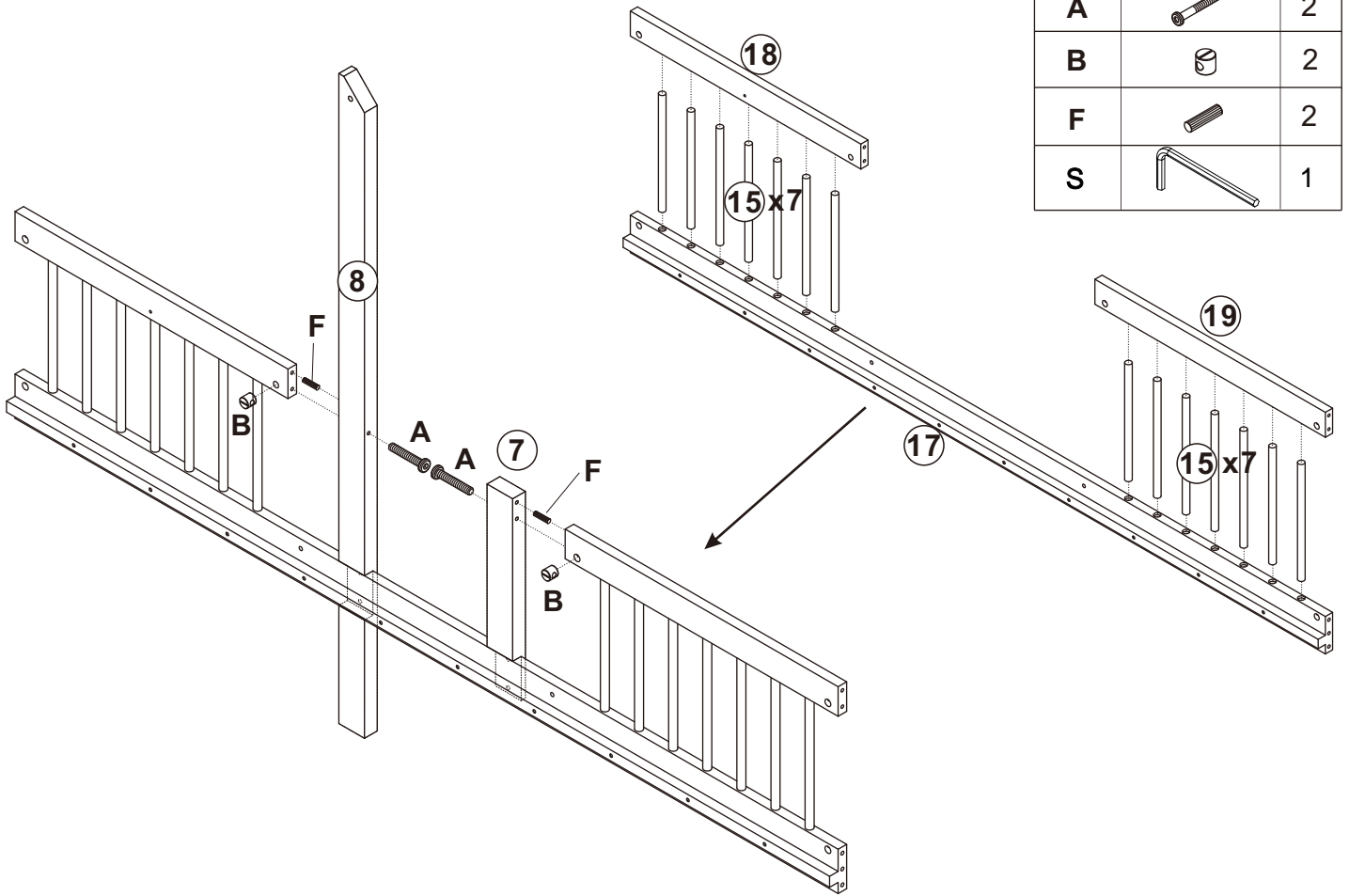


6.

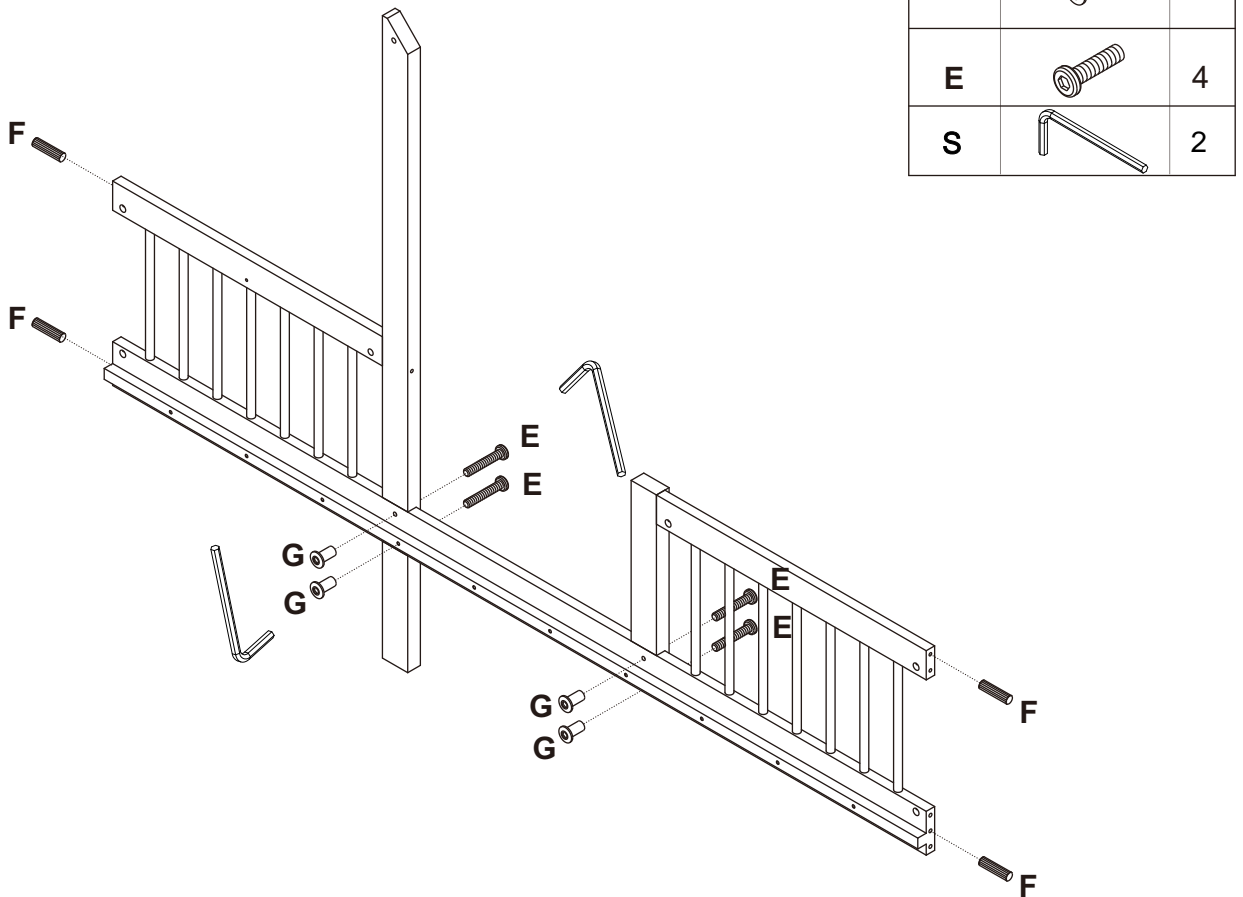
| CODE | HARDWARE  | QTY |
|------|---|-----|
| A    |  | 2   |
| B    |  | 2   |
| F    |  | 2   |
| G    |  | 1   |
| E    |  | 1   |
| S    |  | 2   |



7.

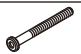




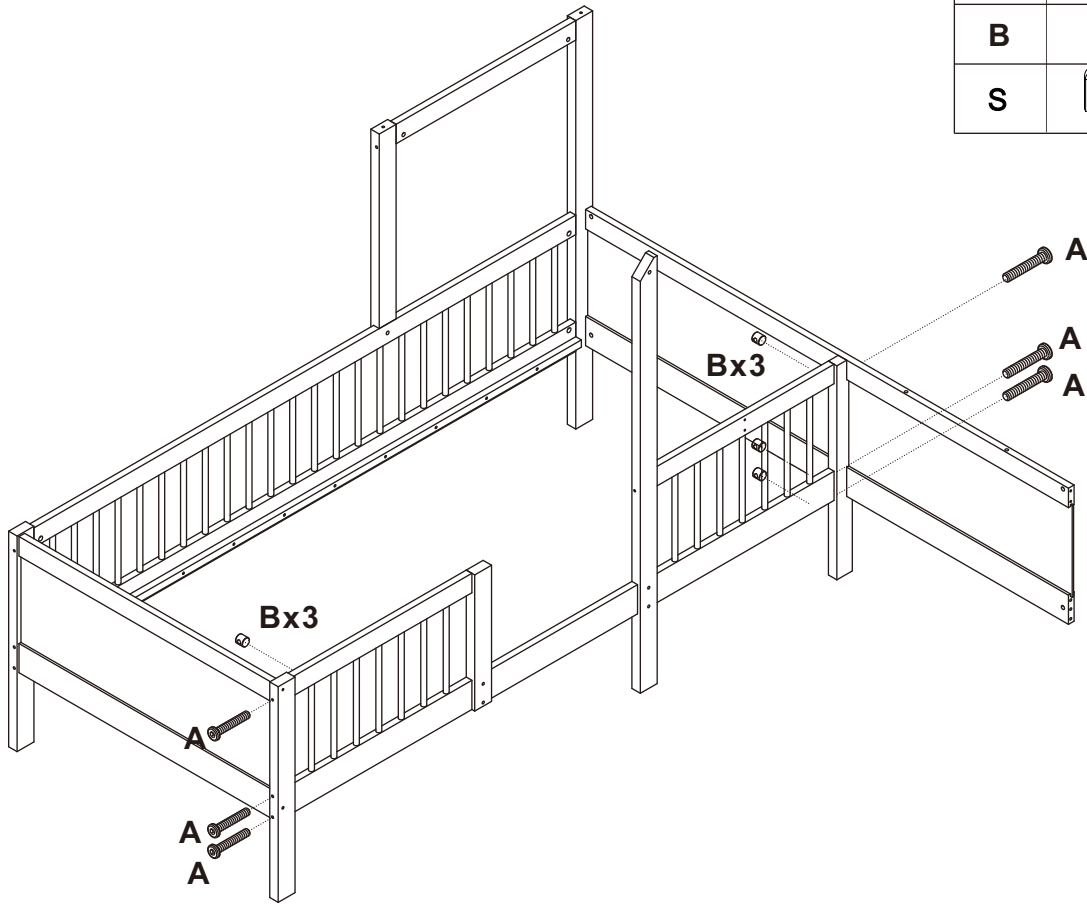
8.









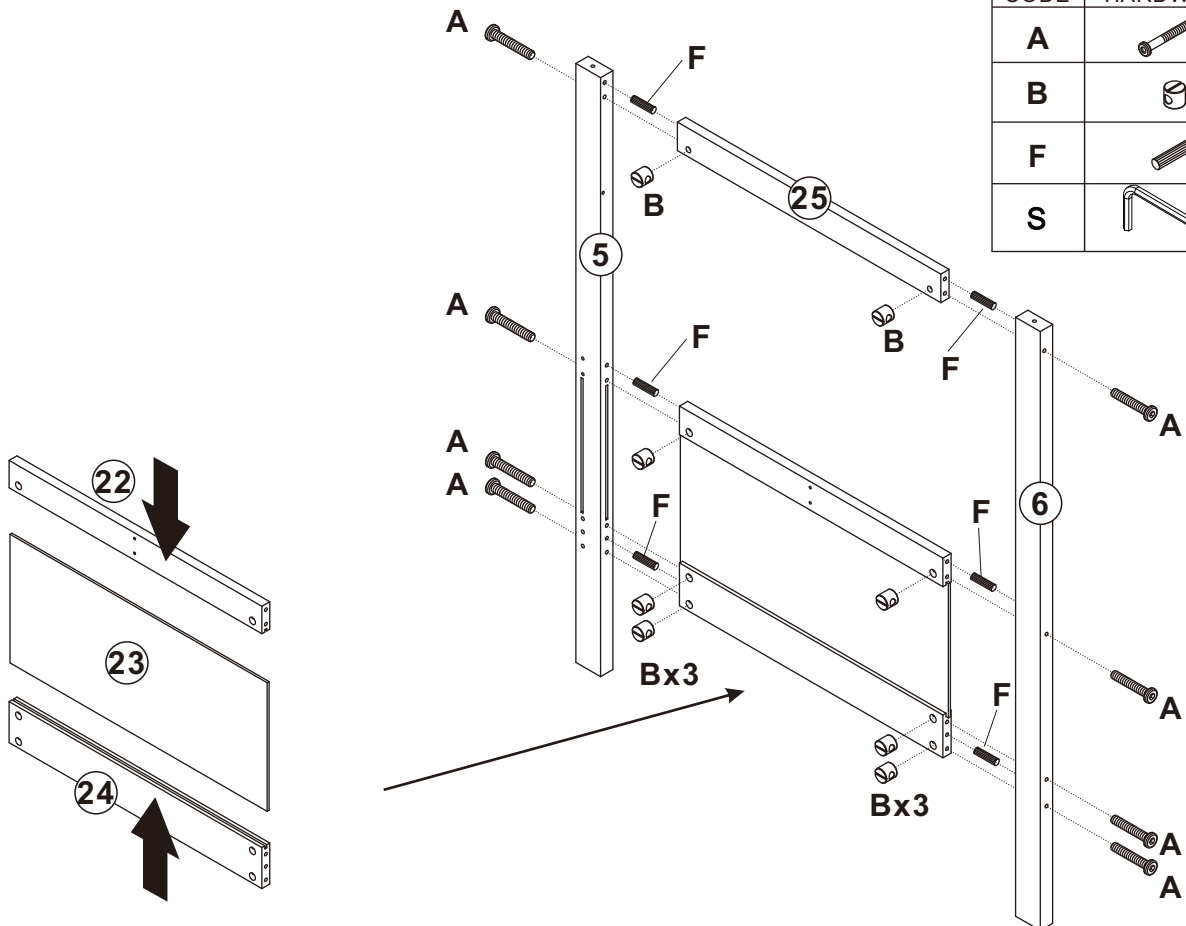
9.

| CODE | HARDWARE  | QTY |
|------|---|-----|
| A    |   | 6   |
| B    |  | 6   |
| S    |  | 1   |








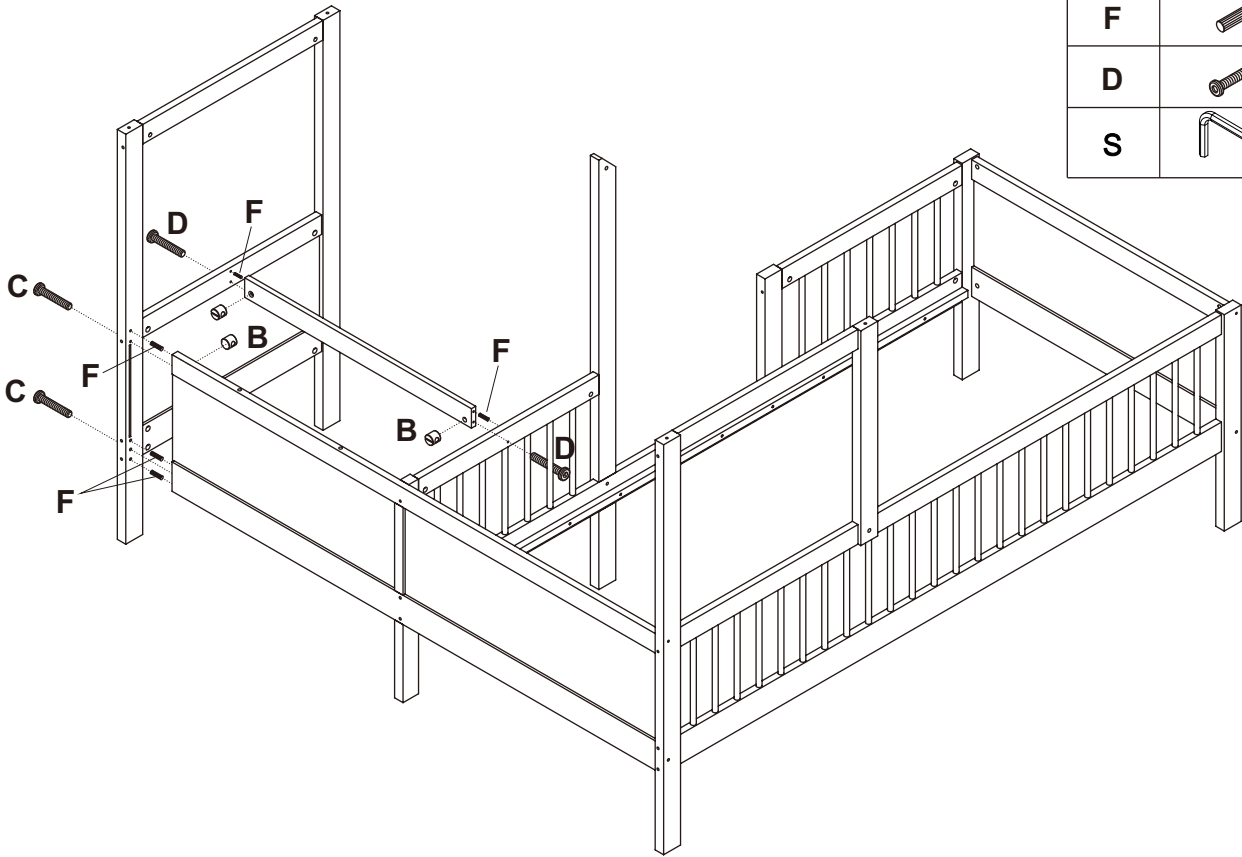
10.

| CODE | HARDWARE  | QTY |
|------|---|-----|
| A    |  | 8   |
| B    |  | 8   |
| F    |  | 6   |
| S    |  | 1   |





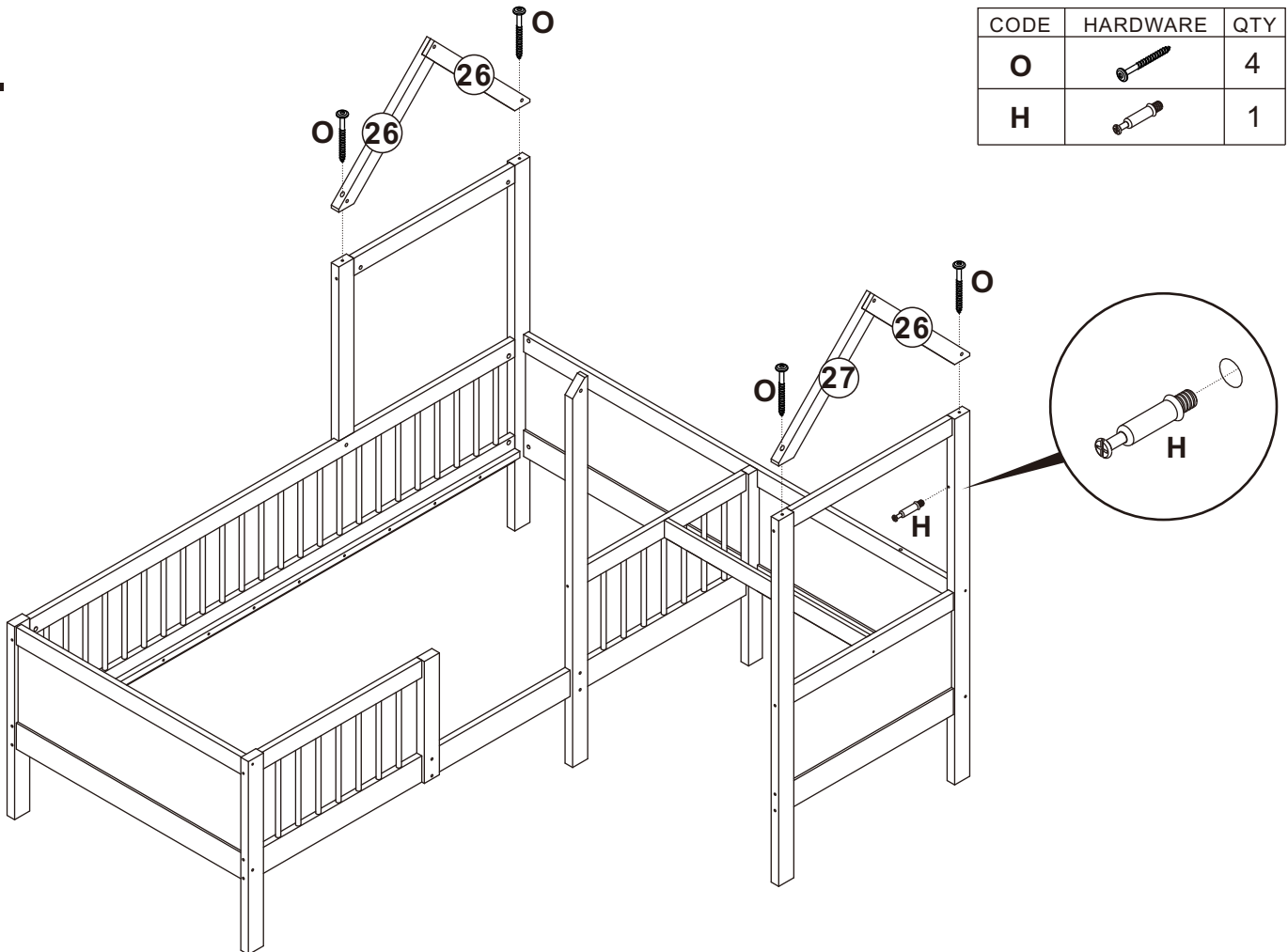
# 11.

| CODE | HARDWARE  | QTY |
|------|---|-----|
| C    |  | 2   |
| B    |  | 4   |
| F    |  | 4   |
| D    |  | 2   |
| S    |  | 1   |


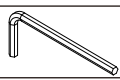


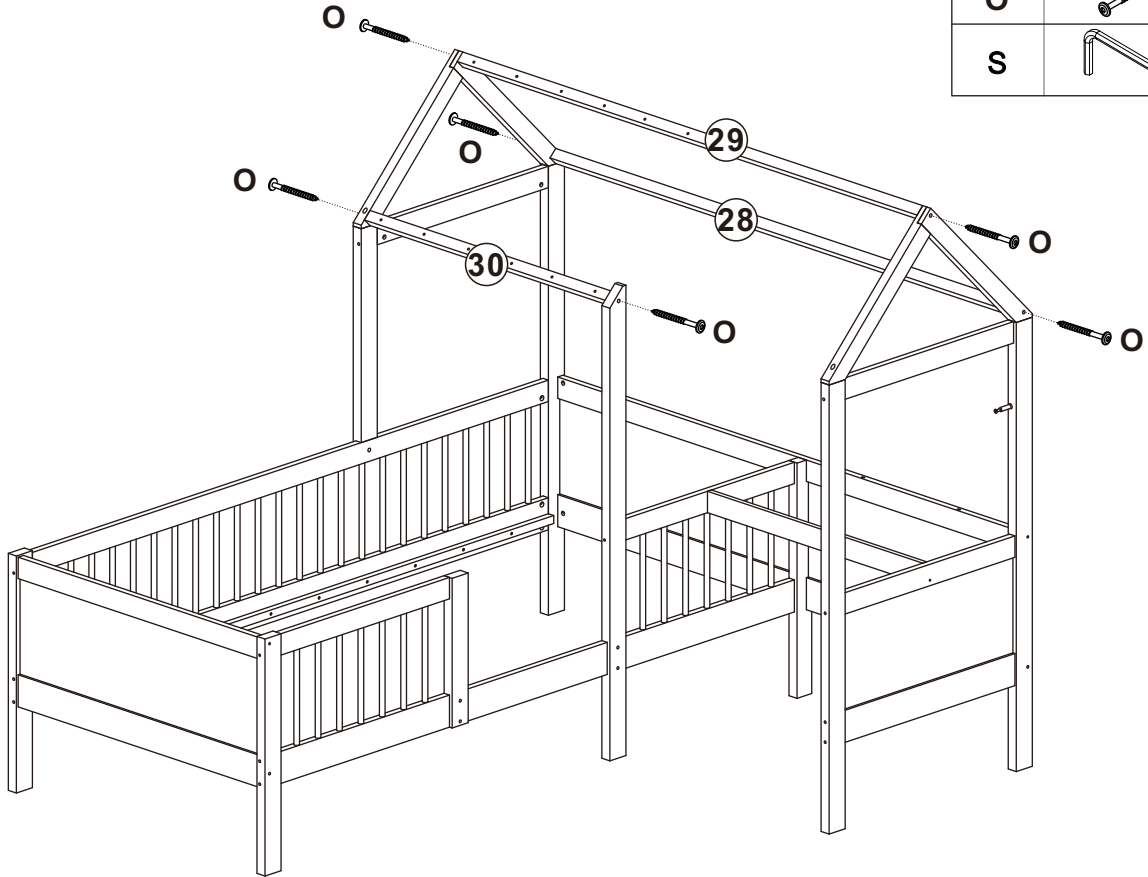
# 12.

| CODE | HARDWARE  | QTY |
|------|---|-----|
| O    |  | 4   |
| H    |  | 1   |


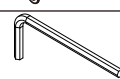


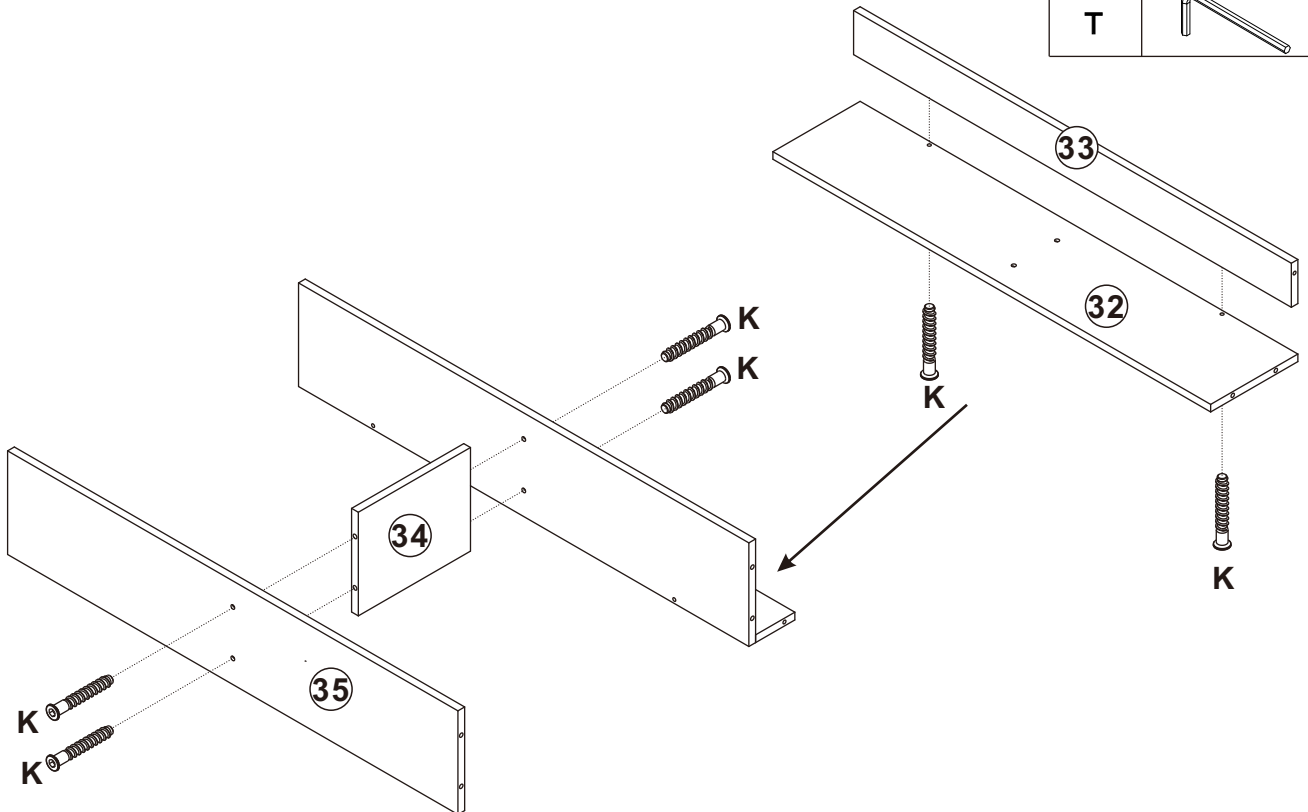
# 13.

| CODE | HARDWARE  | QTY |
|------|---|-----|
| O    |  | 6   |
| S    |  | 1   |

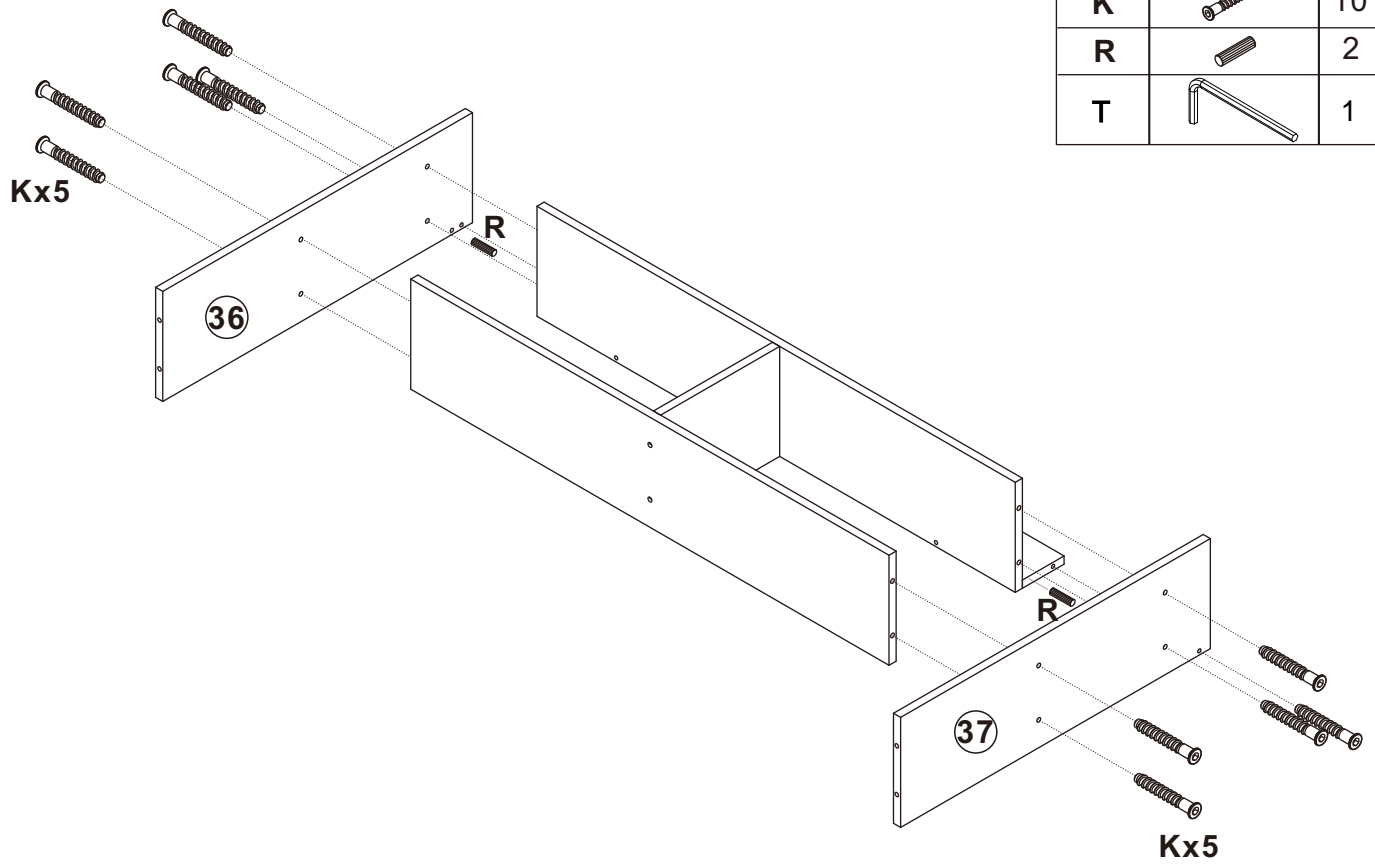





# 14.

| CODE | HARDWARE  | QTY |
|------|---|-----|
| K    |  | 6   |
| T    |  | 1   |

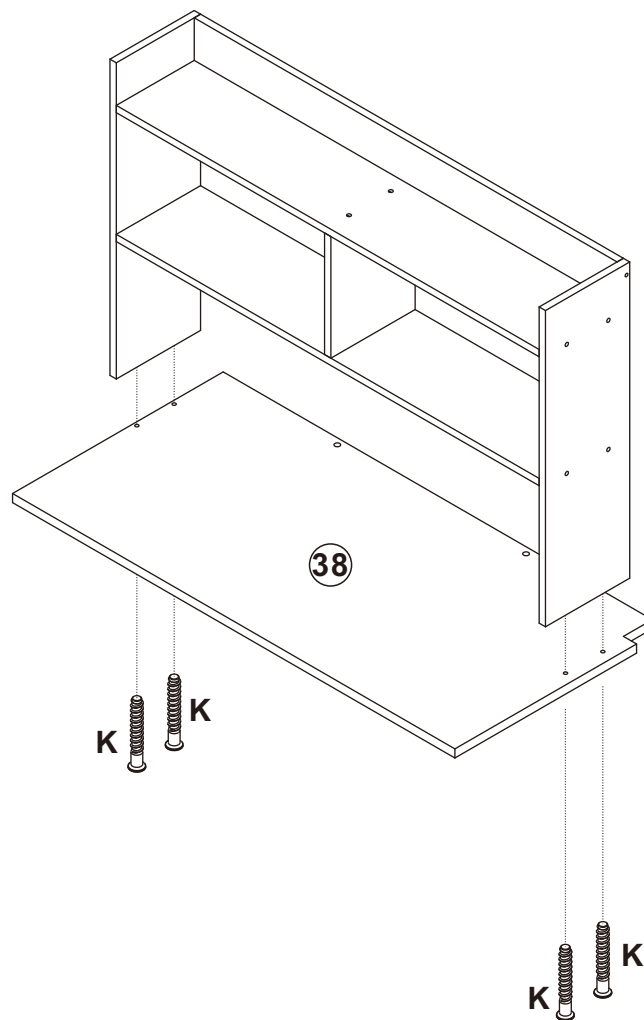




# 15.



| CODE | HARDWARE  | QTY |
|------|---|-----|
| K    |  | 10  |
| R    |  | 2   |
| T    |  | 1   |

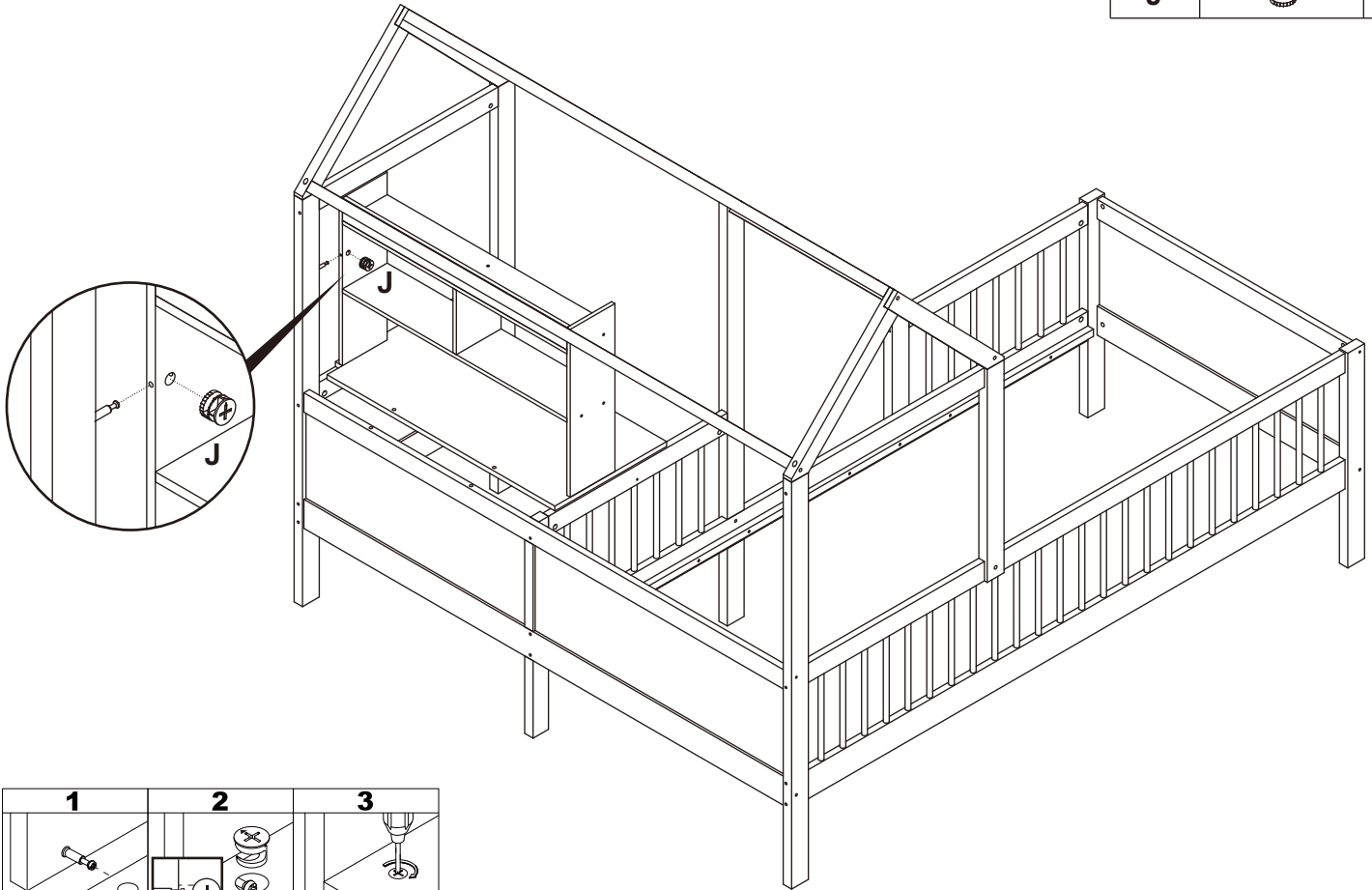
# 16.



| CODE | HARDWARE  | QTY |
|------|---|-----|
| K    |  | 4   |
| T    |  | 1   |

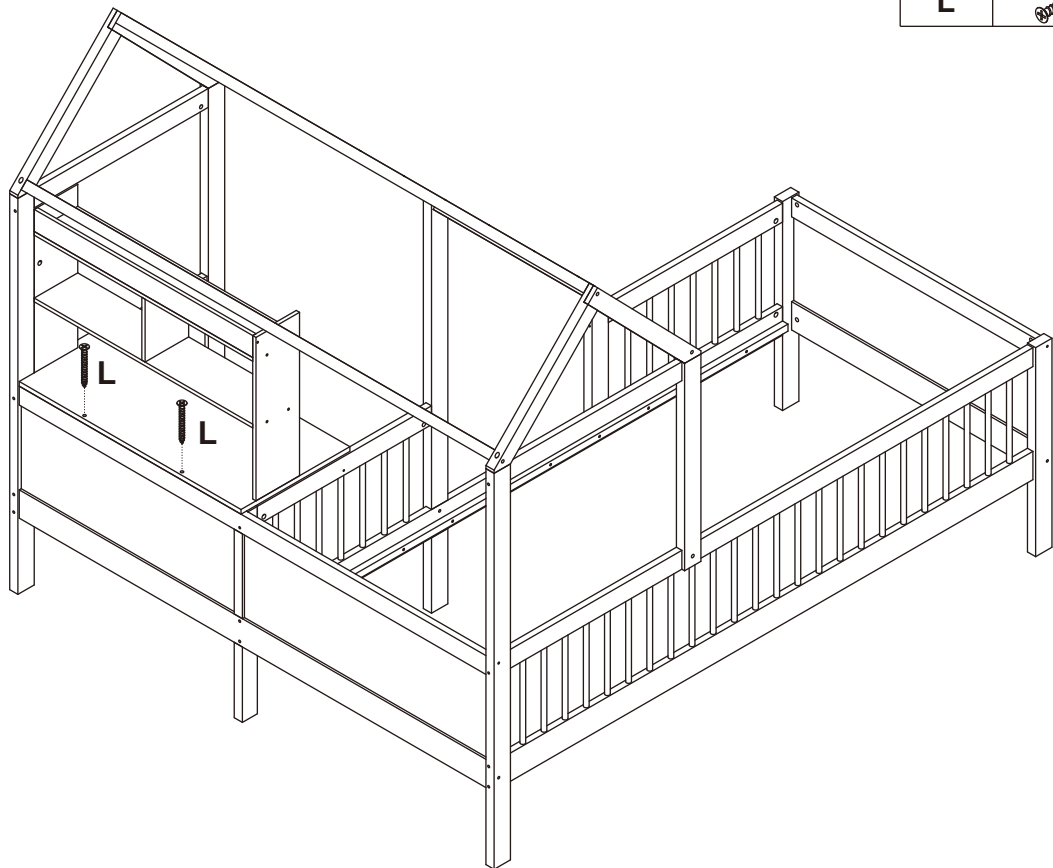
# 17.

| CODE | HARDWARE  | QTY |
|------|---|-----|
| J    |  | 1   |





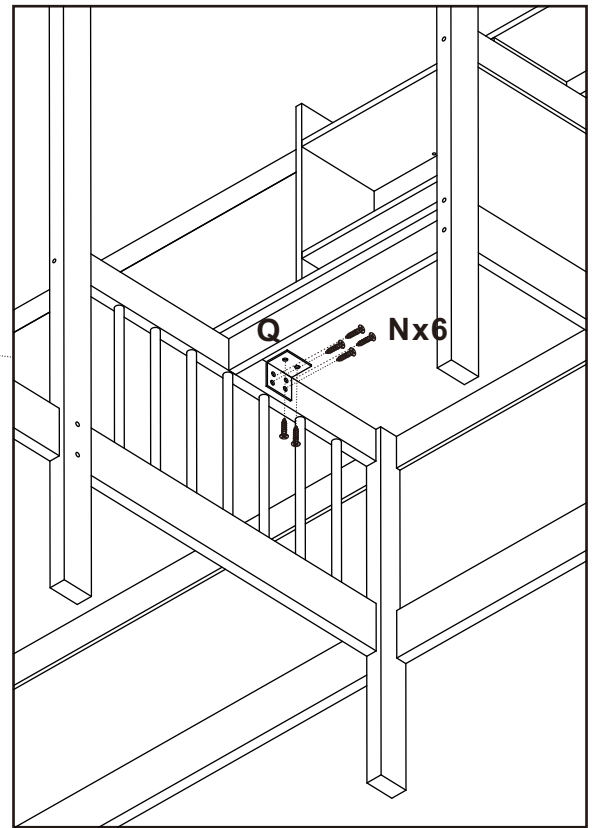
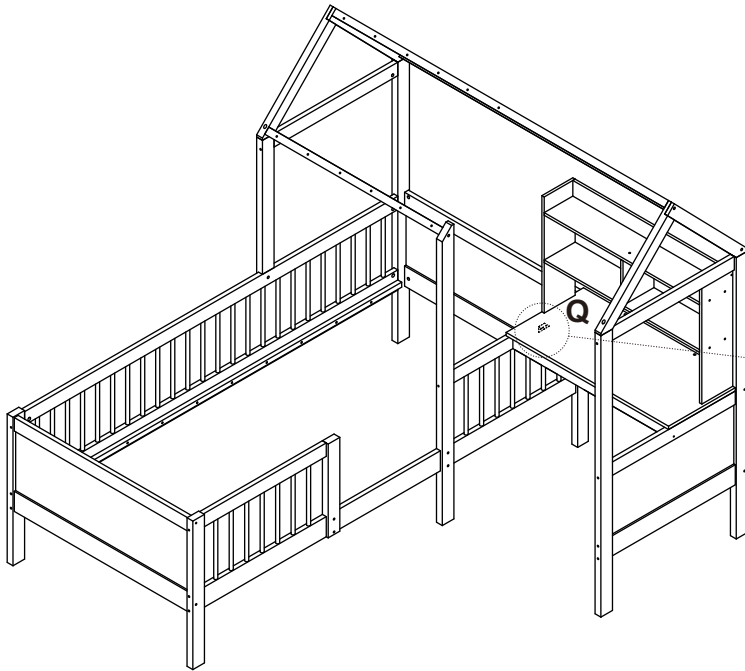
# 18.

| CODE | HARDWARE  | QTY |
|------|---|-----|
| L    |  | 2   |



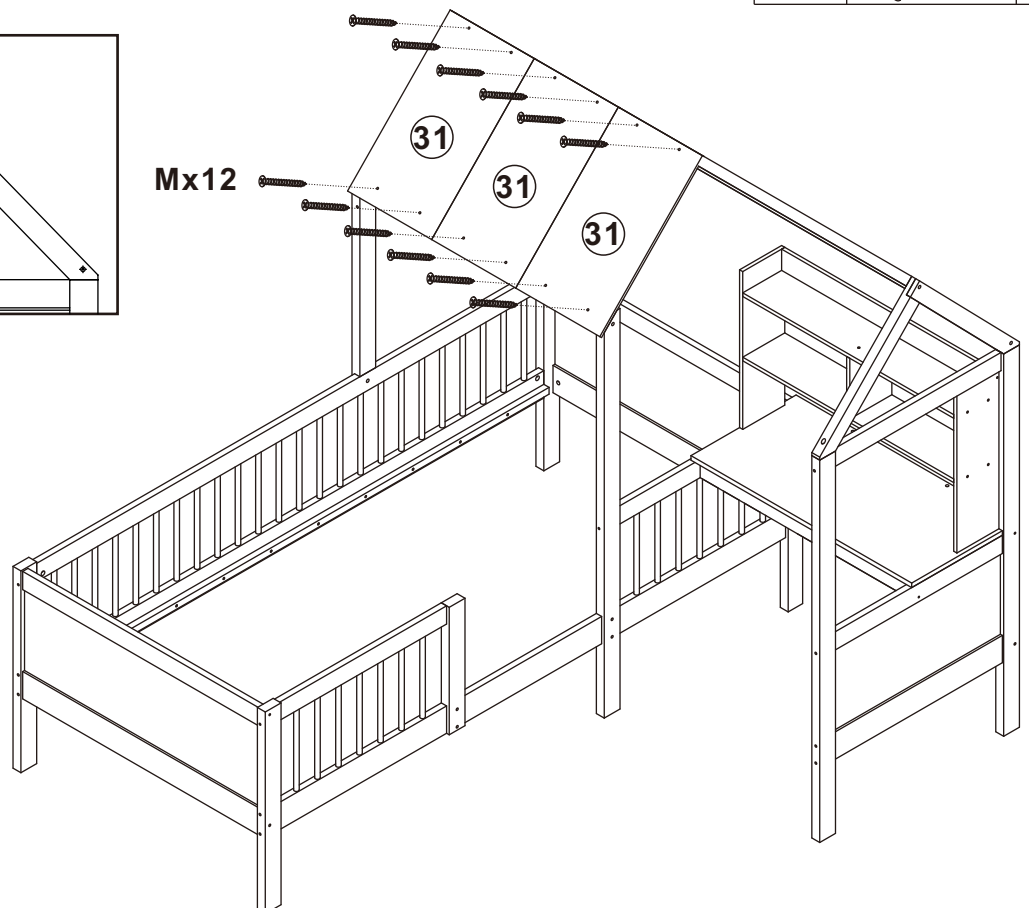
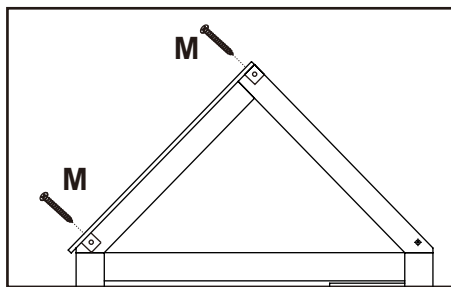
# 19.

| CODE | HARDWARE  | QTY |
|------|---|-----|
| N    |  | 6   |
| Q    |  | 1   |



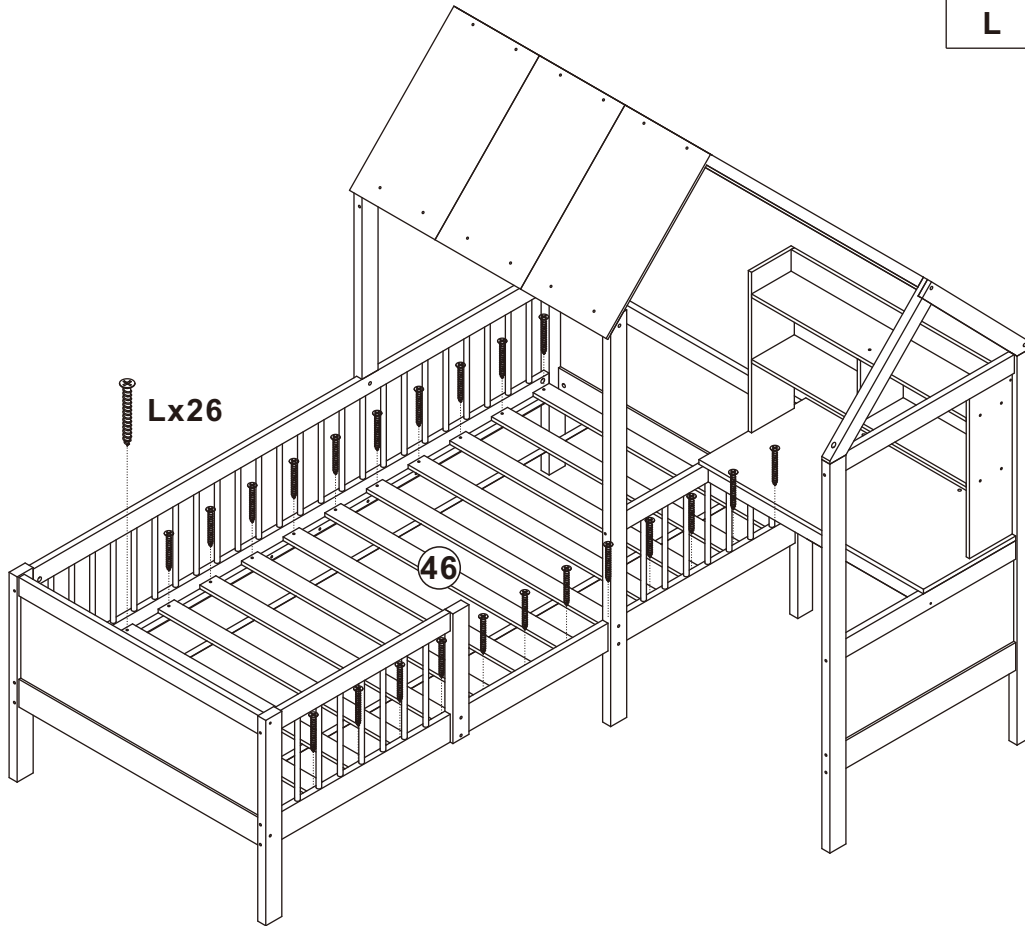
# 20.

| CODE | HARDWARE  | QTY |
|------|---|-----|
| M    |  | 12  |



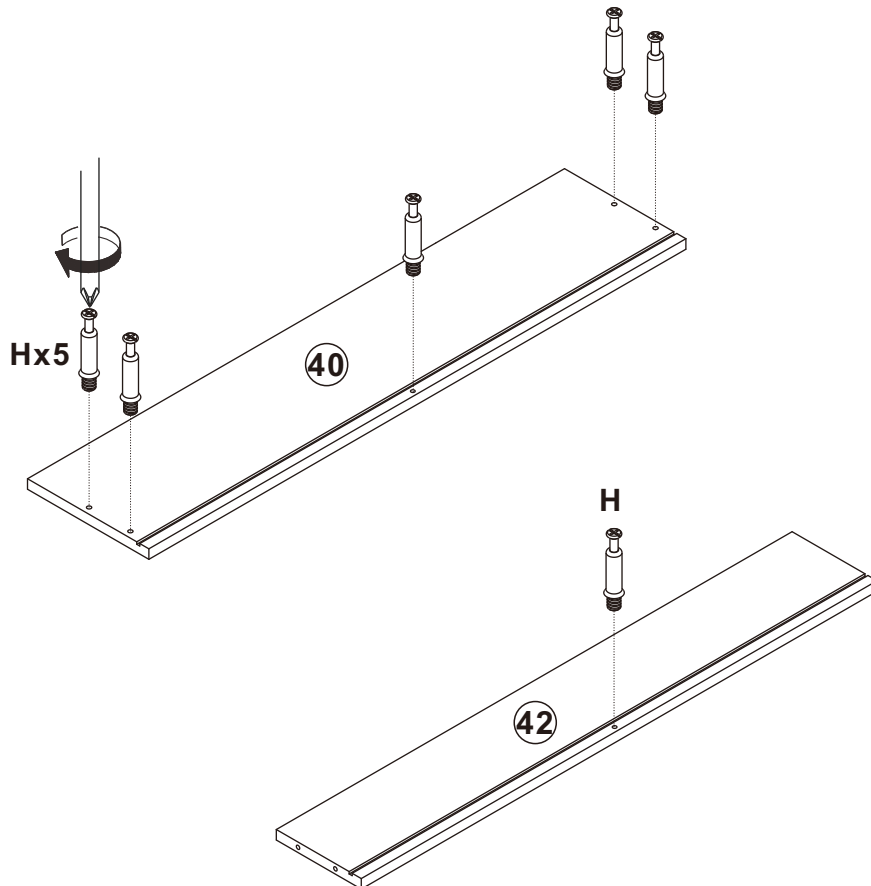
# 21.

| CODE | HARDWARE  | QTY |
|------|---|-----|
| L    |  | 26  |






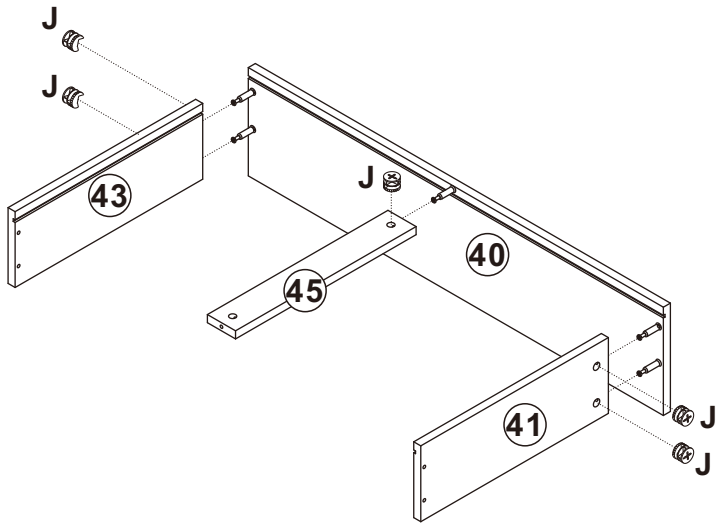
# 22.

| CODE | HARDWARE  | QTY |
|------|---|-----|
| H    |  | 6   |

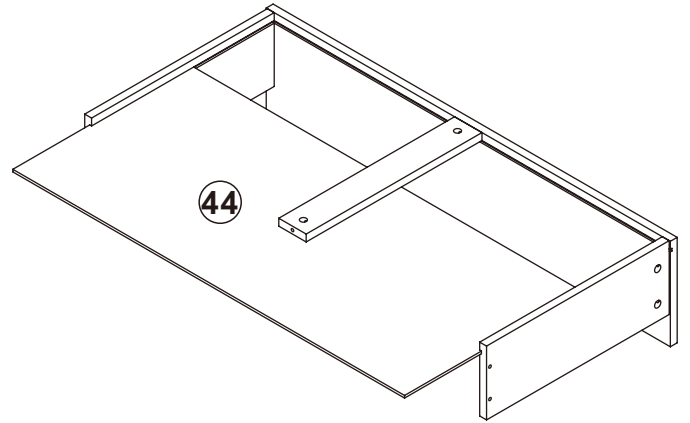


# 23.

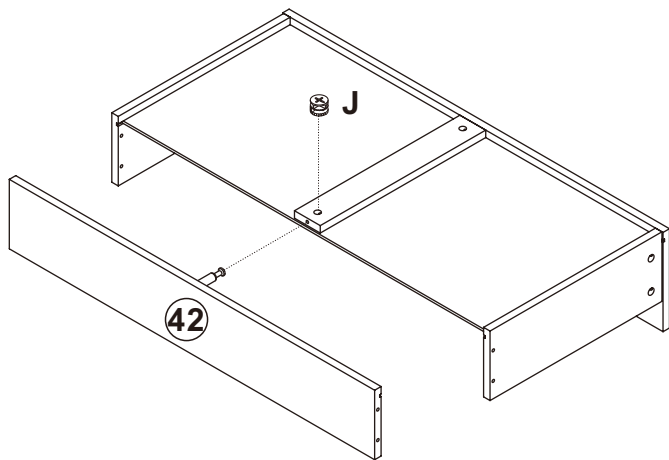
| CODE | HARDWARE  | QTY |
|------|---|-----|
| K    |  | 4   |
| J    |  | 6   |
| T    |  | 1   |



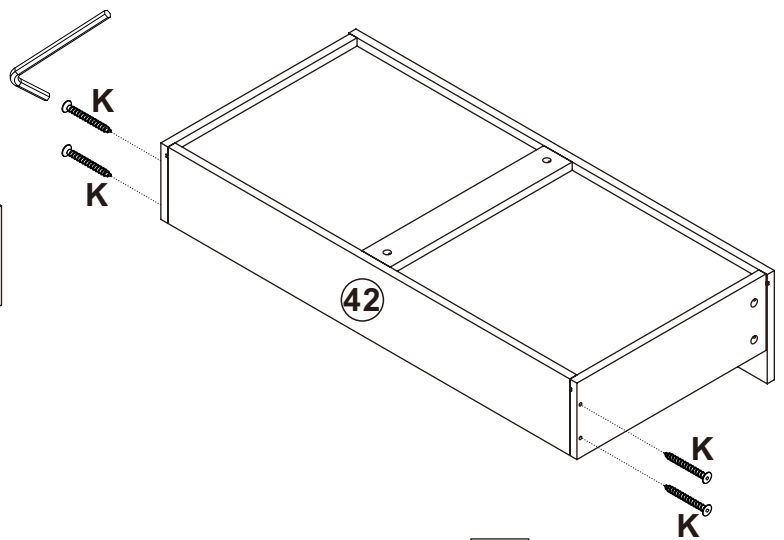
1



2



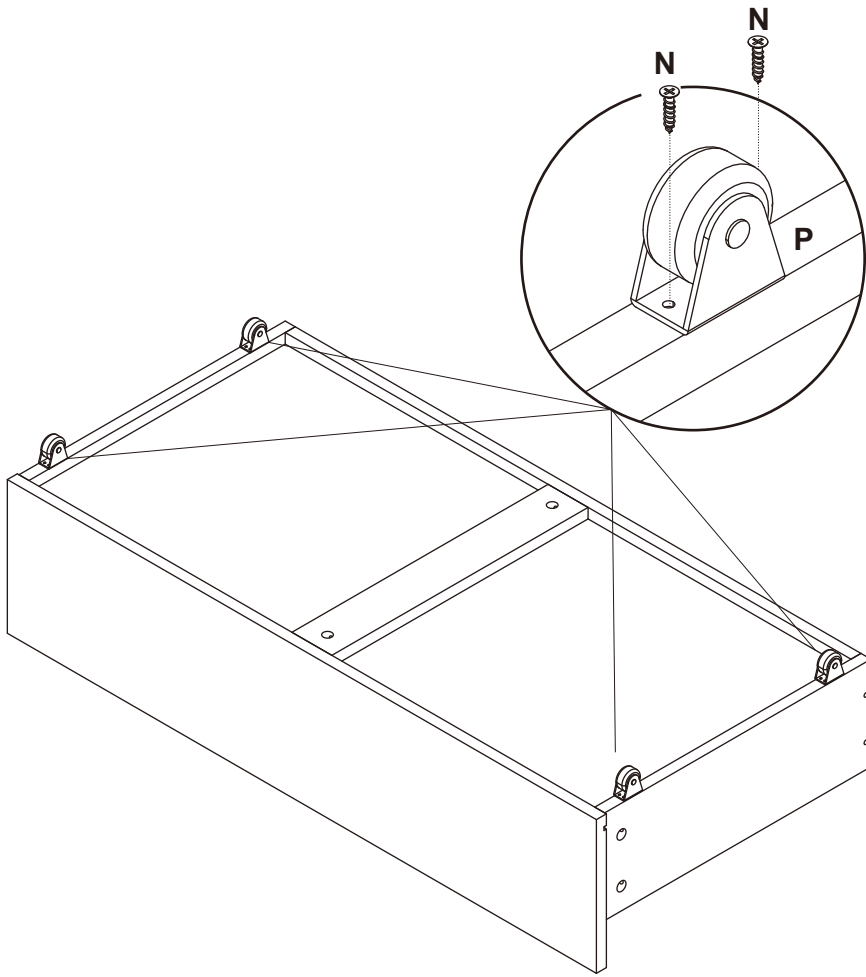
3

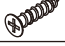



4



24.



| CODE | HARDWARE  | QTY |
|------|---|-----|
| N    |  | 8   |
| P    |  | 4   |

25.

