

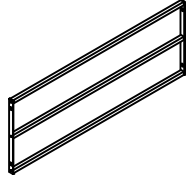
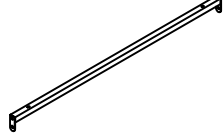
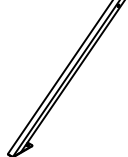
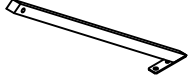
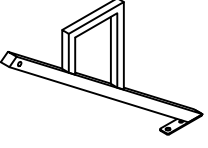
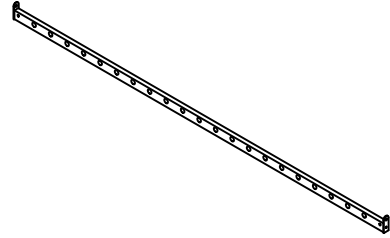
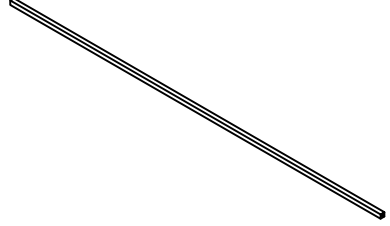
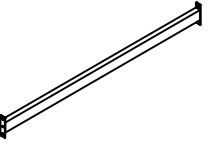
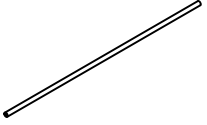
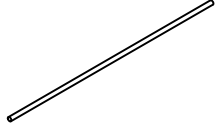
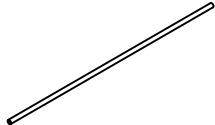

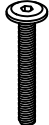






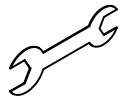

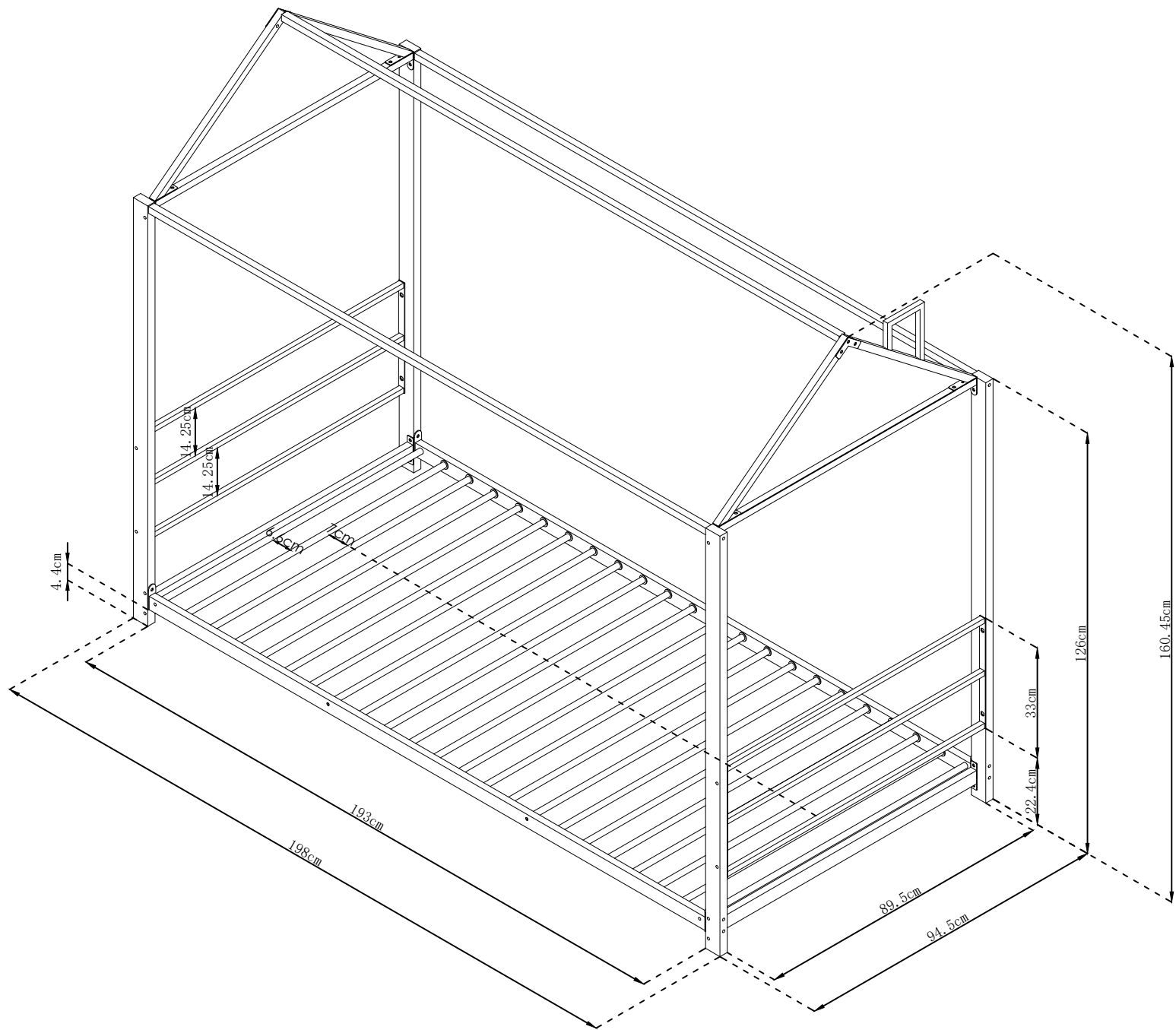


MODEL NUMBER : BF-1002E  
**ASSEMBLY INSTRUCTION**

PARTS LIST:

A	B	C		D		E		F	
									
2PCS	2PCS	2PCS		2PCS		2PCS		1PC	
G		H				I			
									
1PC		2PCS				3PCS			
J		Q	R		S				
									
2PCS		2PCS	19PCS		2PCS				
a	b	f	e	t	q	w	z	y	x
									
1/4*62 12PCS	1/4*35 24PCS	1/4*16 4PCS	1/4*30 10PCS	8PCS	42PCS	32PCS	2PCS	2PCS	2PCS



1

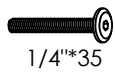
HARDWARE REQUIRED



y 1pc



x 1pc

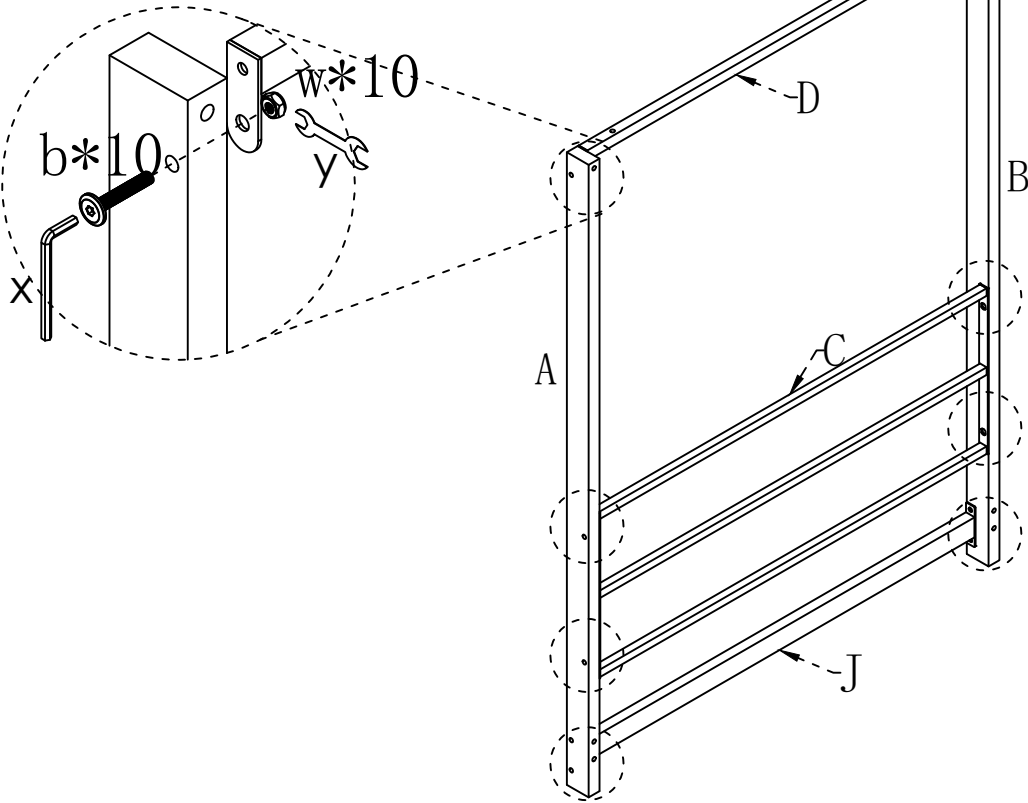


1/4"\*35



w 20pcs

X2

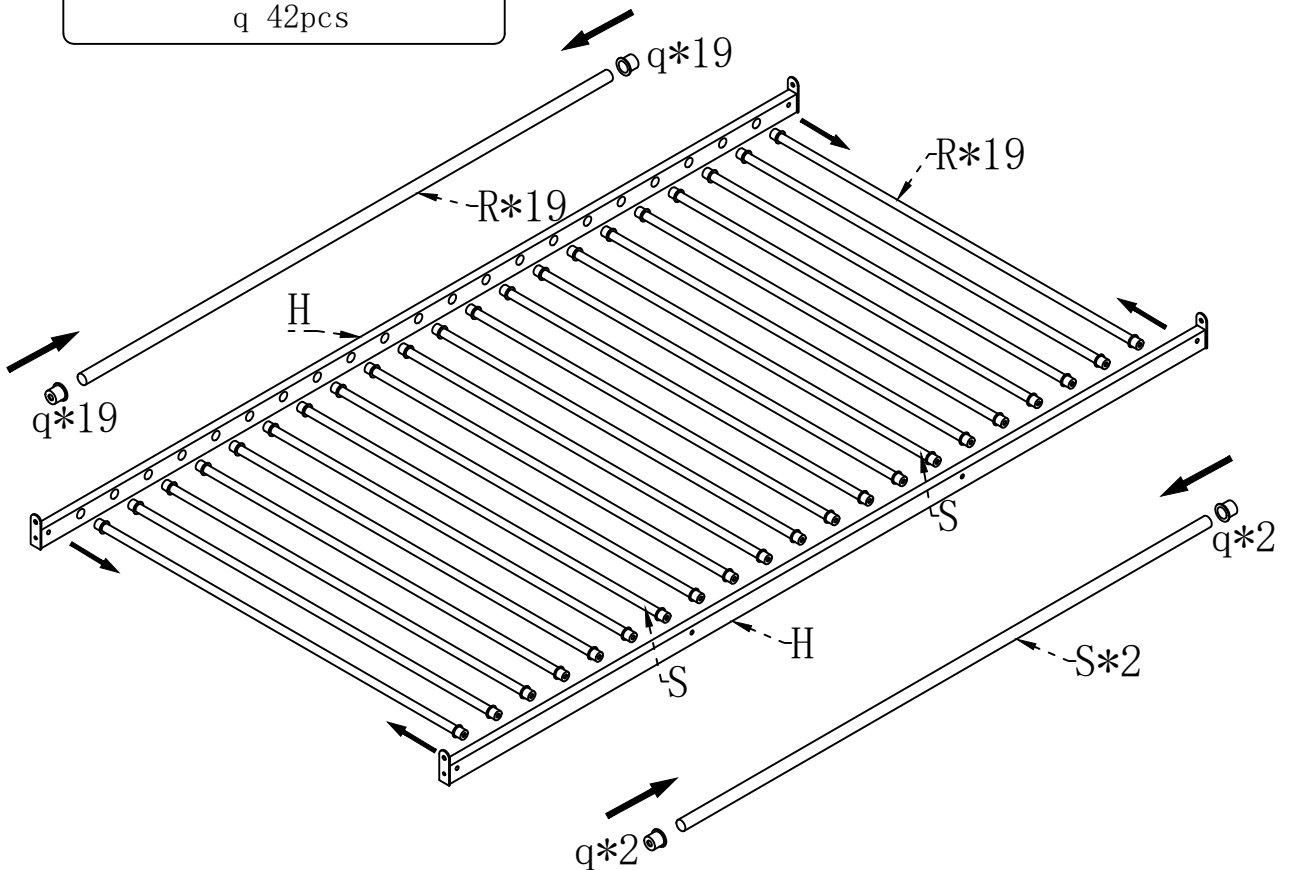


2

HARDWARE REQUIRED

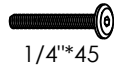


q 42pcs



3

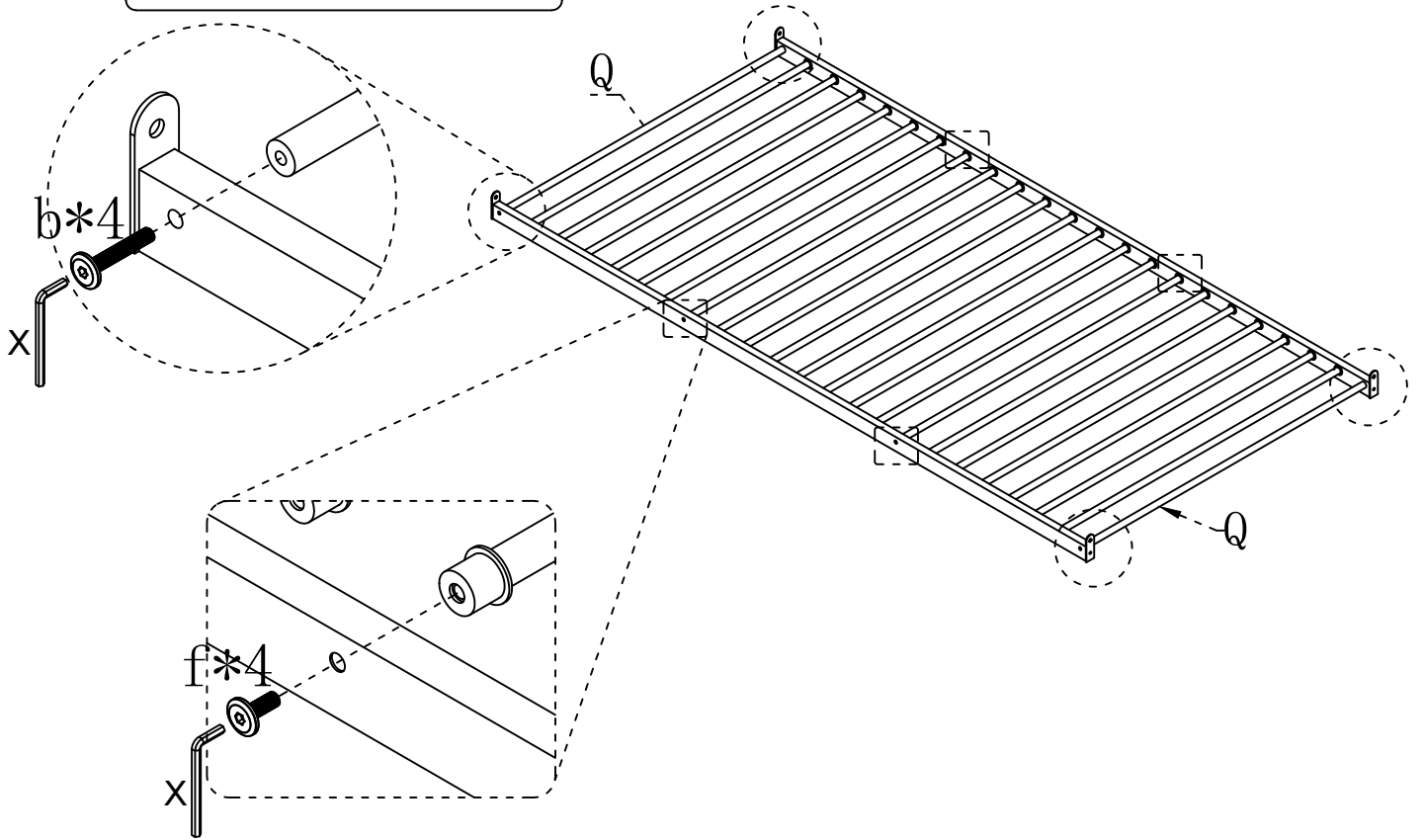
HARDWARE REQUIRED



x 1pc

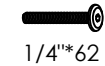
b 4pcs

f 4pcs



4

HARDWARE REQUIRED

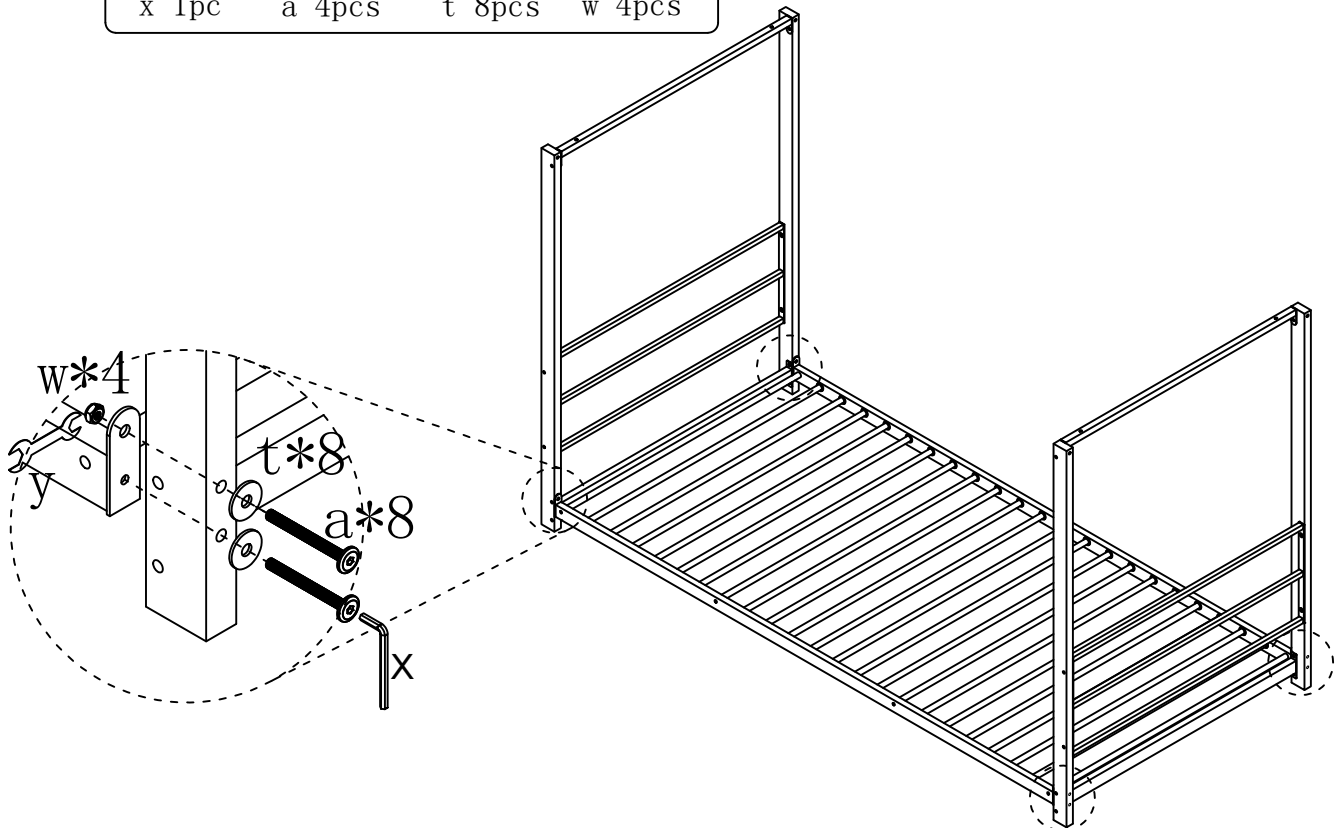


x 1pc

a 4pcs

t 8pcs

w 4pcs



5

**HARDWARE REQUIRED**

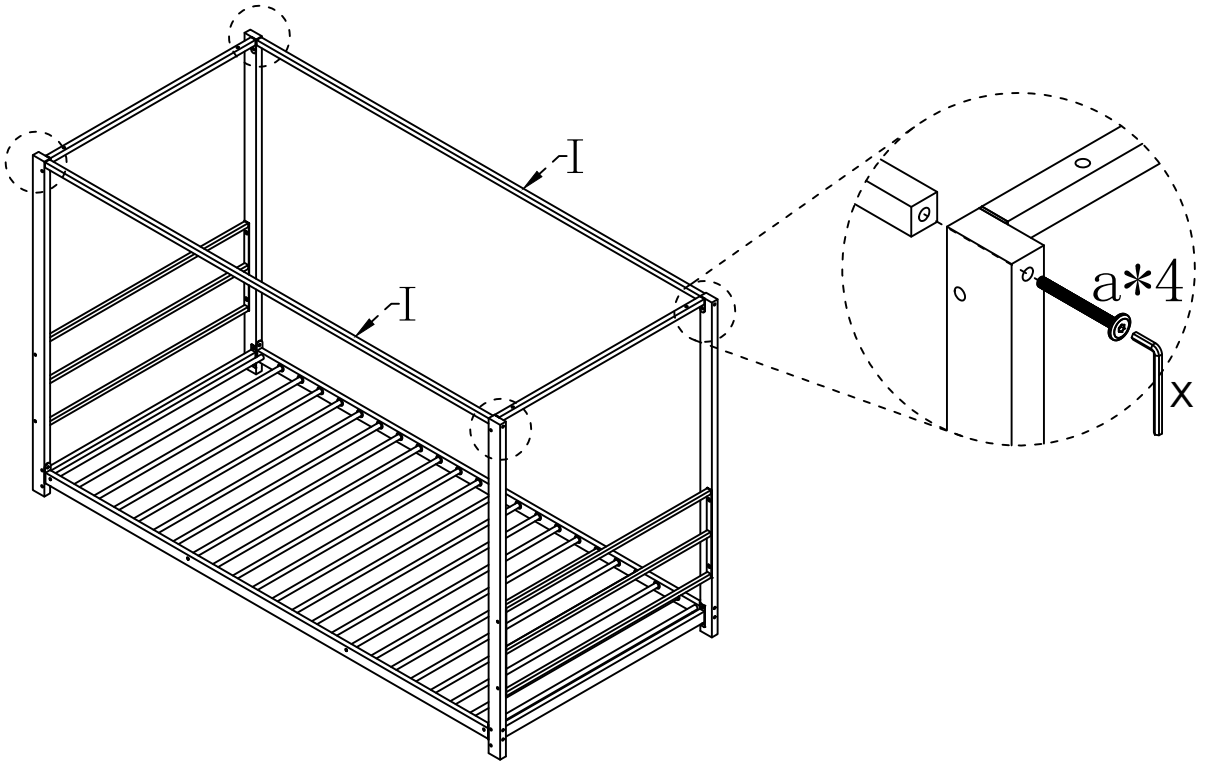


x 1pc



1/4"\*62

a 4pcs



6

**HARDWARE REQUIRED**



x 1pc



1/4"\*30

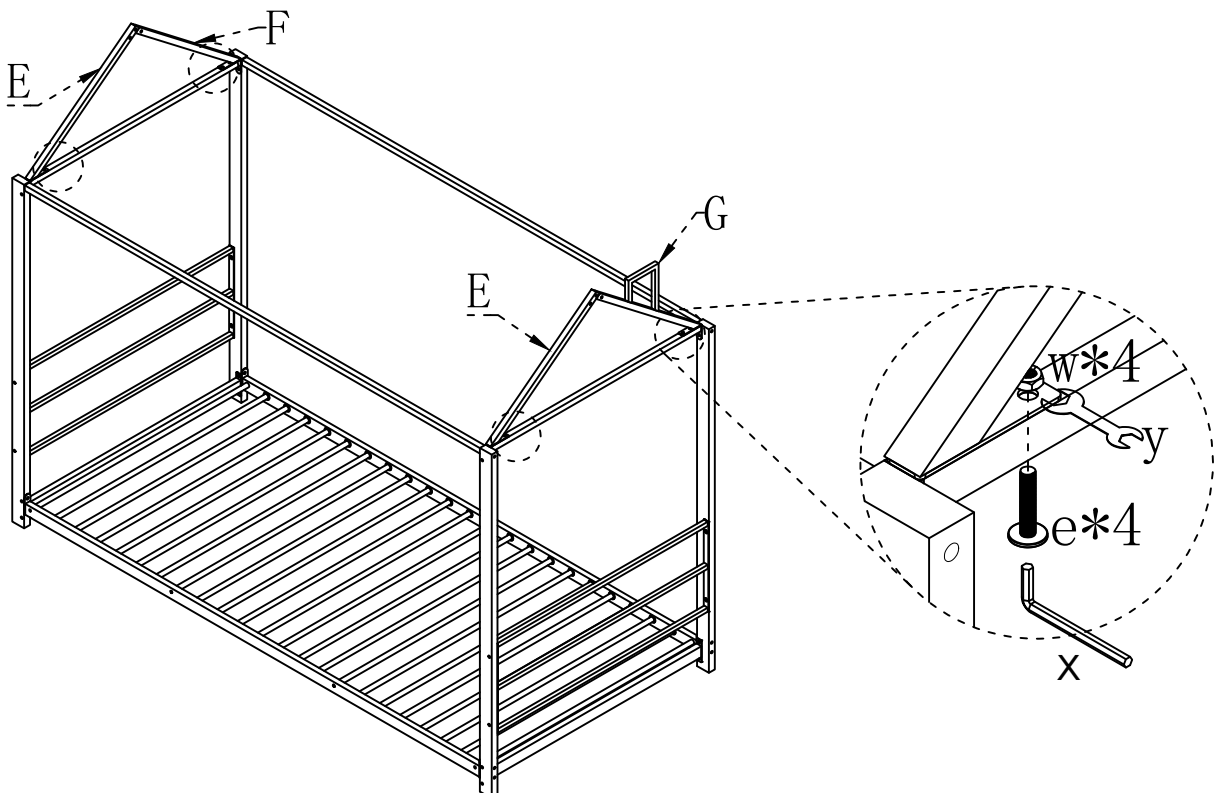
e 4pcs



y 1pc



w 4pcs



7

**HARDWARE REQUIRED**



x 1pc



1/4" x 30

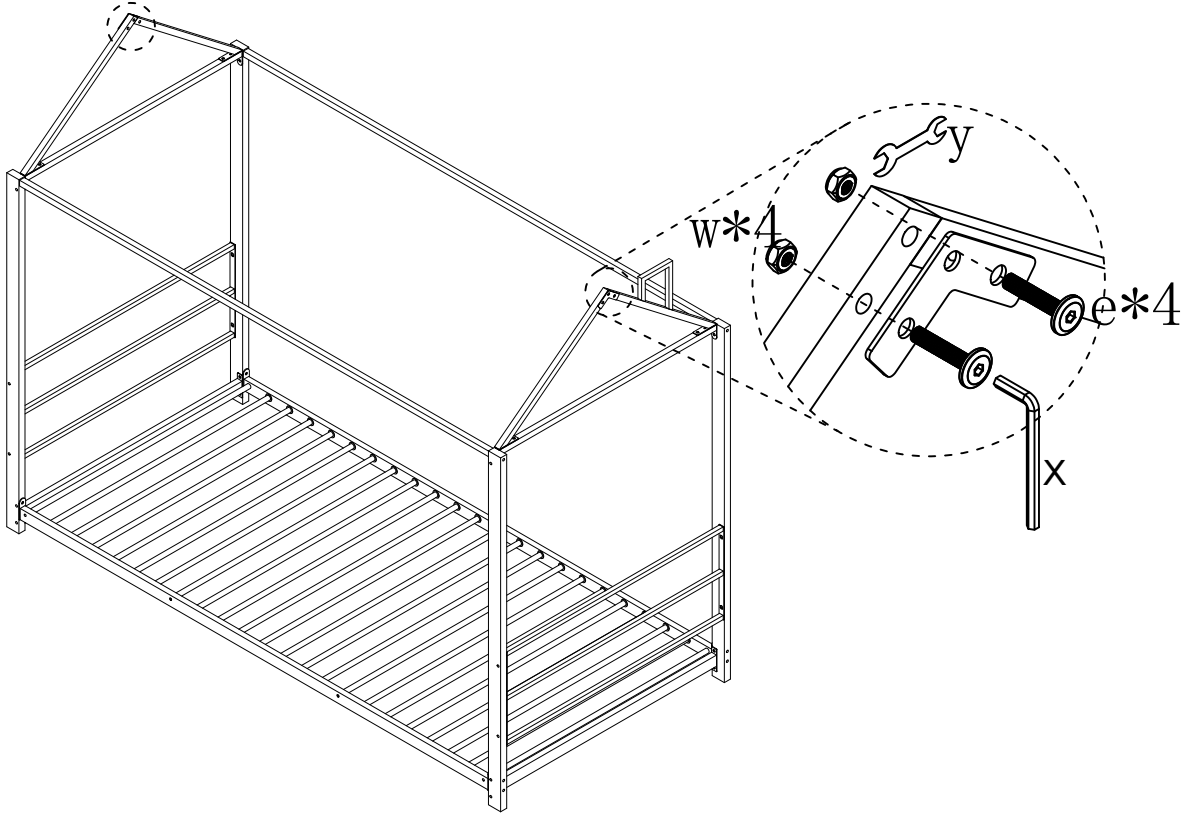
e 4pcs



y 1pc



w 4pcs



8

**HARDWARE REQUIRED**

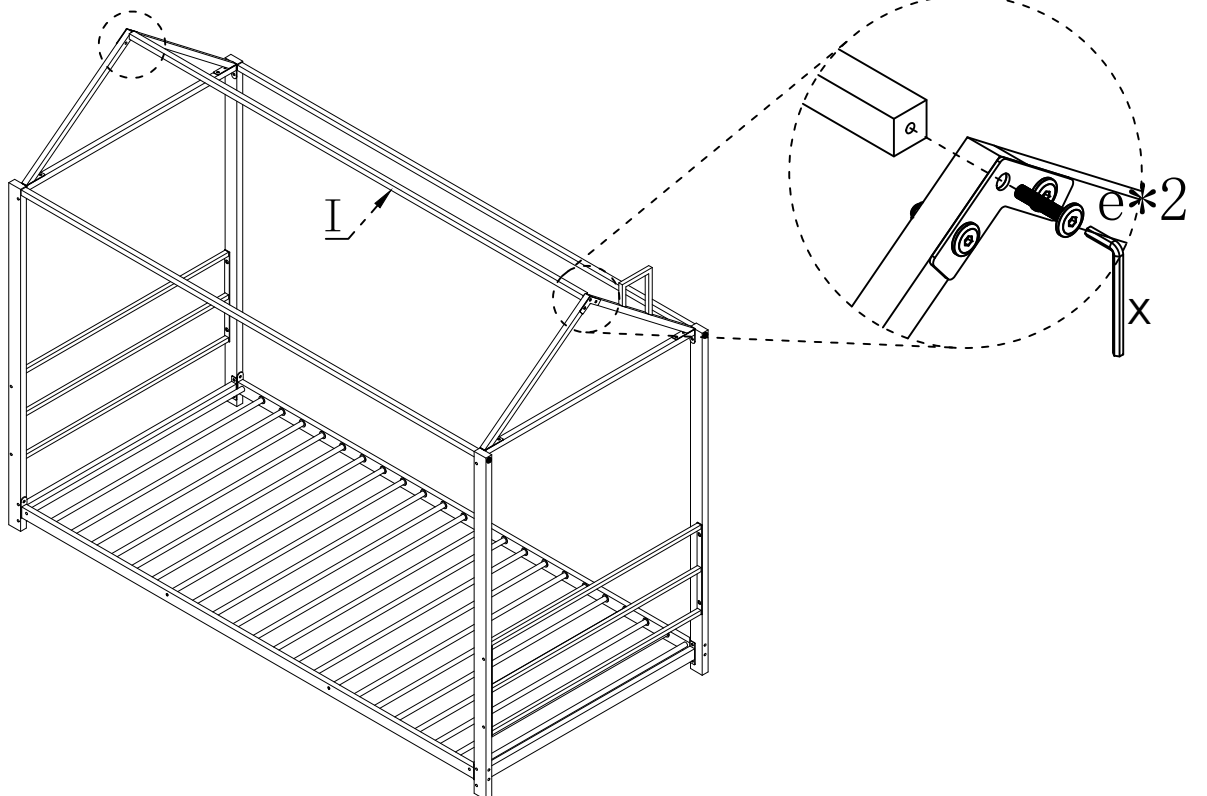


x 1pc



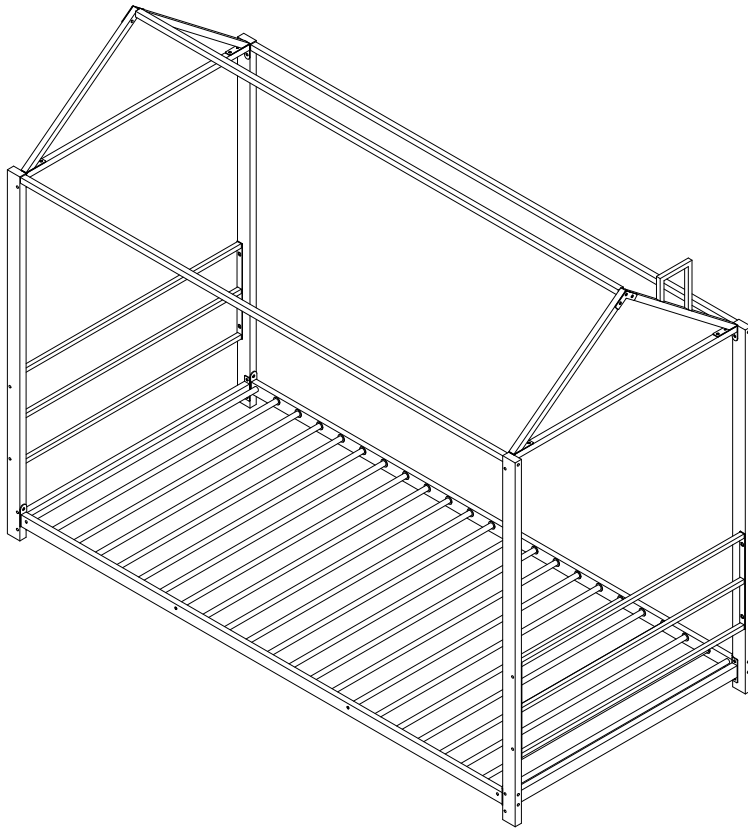
1/4" x 30

e 4pcs





9



10