
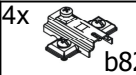

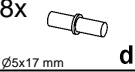
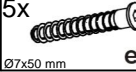
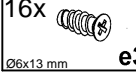
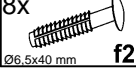
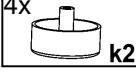
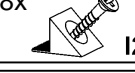
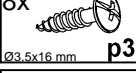
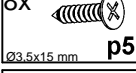
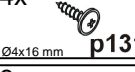
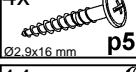


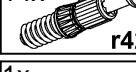
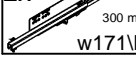



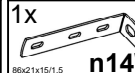


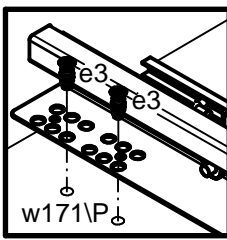
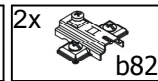
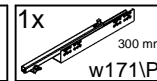
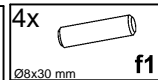
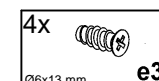
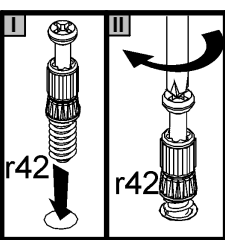
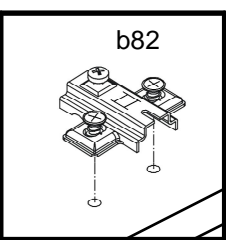
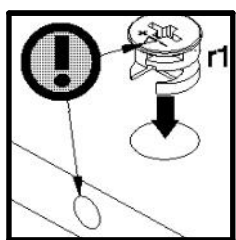
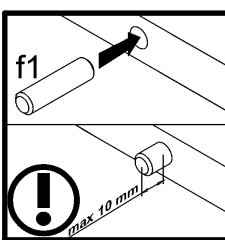
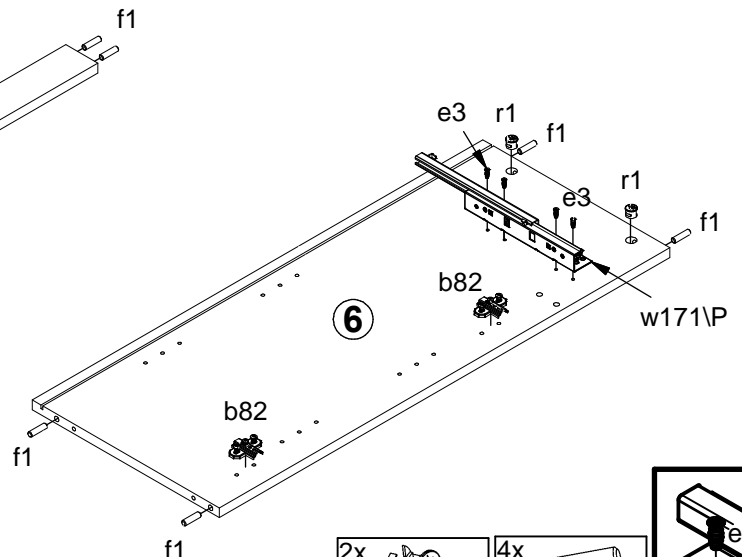
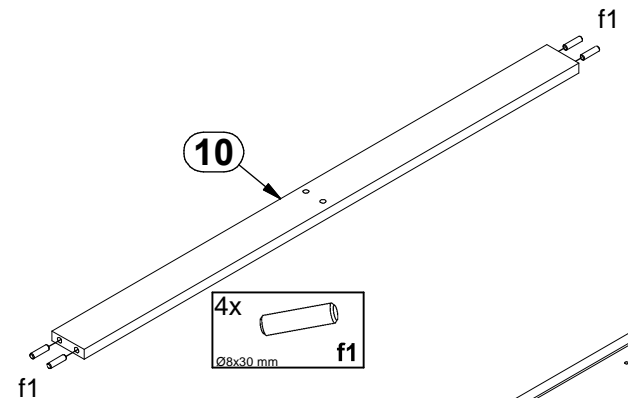
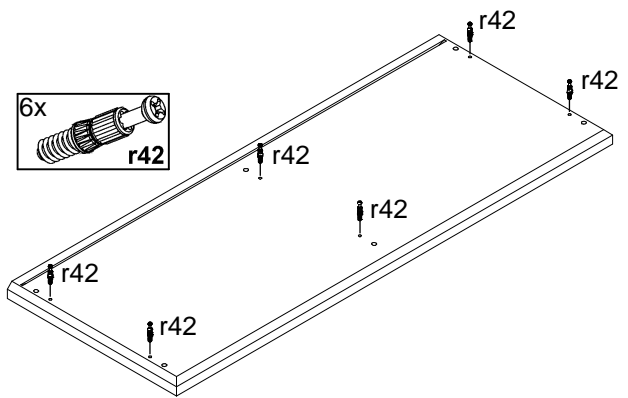
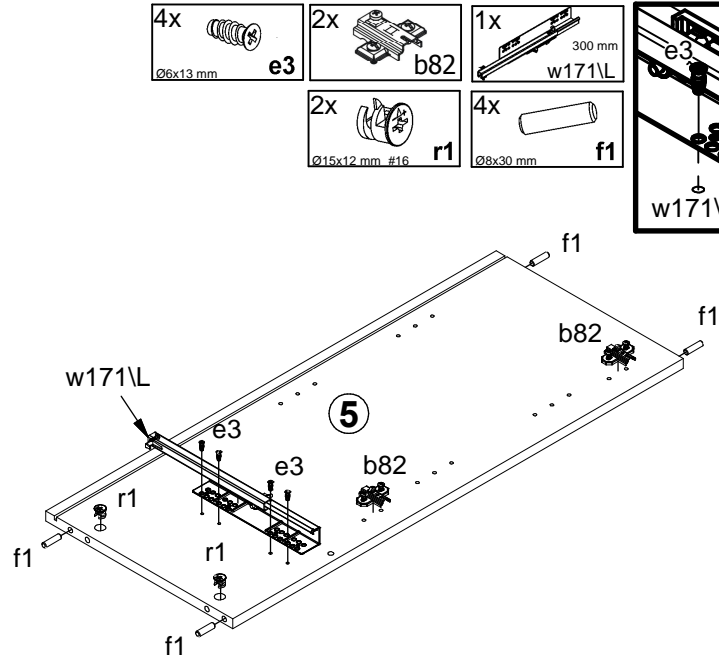
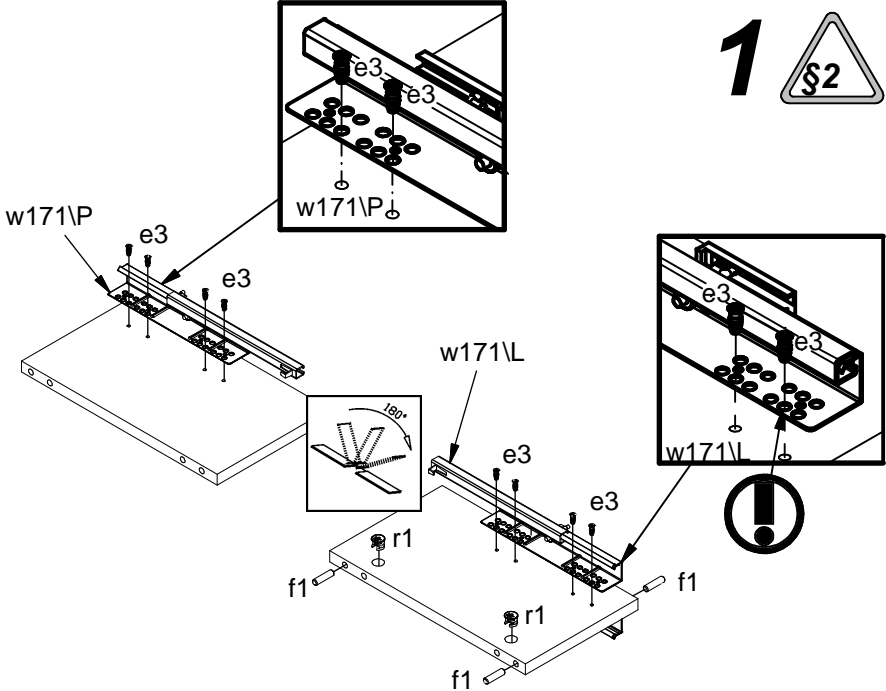
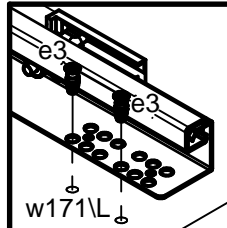
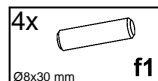
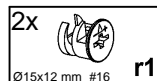
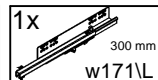
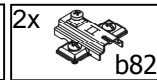
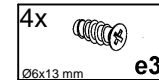
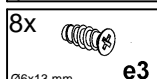
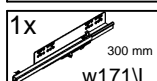
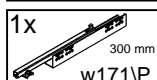
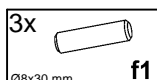


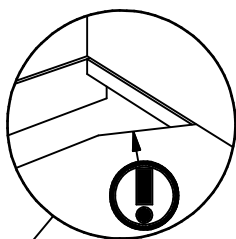
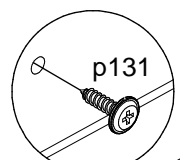
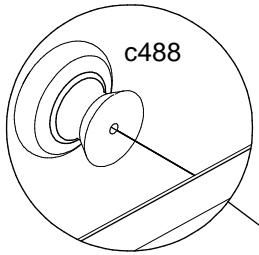
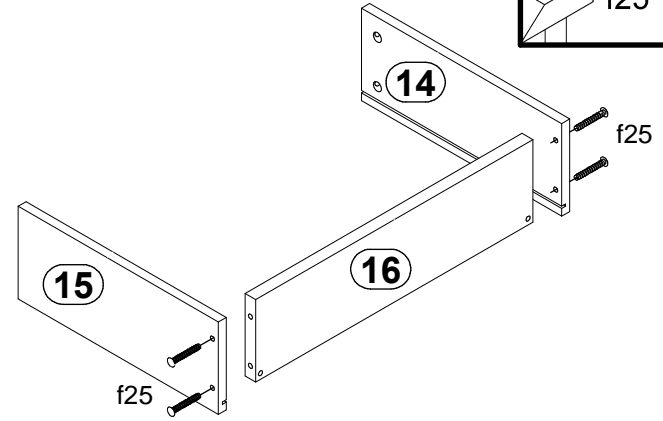
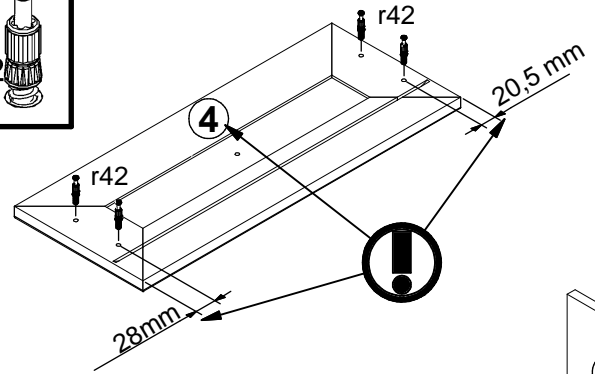
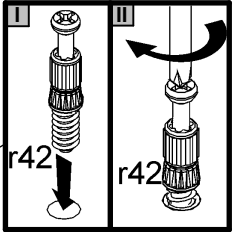
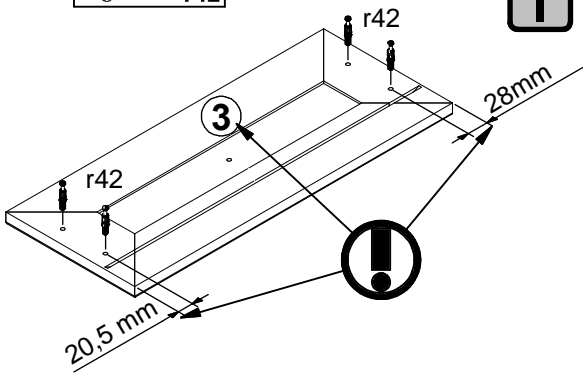
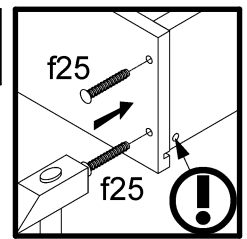
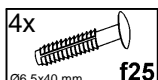
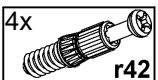
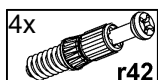
A	B	C1	C2	C3	D
1	M233-0003	659	476	19	2/2
2	M233-0004	659	476	19	2/2
3	M233-0005	193	476	19	2/2
4	M233-0006	193	476	19	2/2
5	M233-1006	844	350	16	2/2
6	M233-1007	844	350	16	2/2
7	M233-2005	980	380	28	1/2
8	M233-2006	960	350	16	1/2
9	M233-3004	926,	320	22	1/2
10	M233-4001	927,	60	16	1/2
11	M233-9302	854,	937,	2,5	2/2
12	S295-1006	190	330	16	2/2
13	WSP-9244	425	308	2,5	2/2
14	WSQ3-503	300	120	12,	2/2
15	WSQ3-504	300	120	12,	2/2
16	WTQ-5319	415	107	16	2/2

4x  a158	4x  b82	4x  c488
8x  d1 Ø5x17 mm	5x  e1 Ø7x50 mm	16x  e3 Ø6x13 mm
15x  f1 Ø8x30 mm	8x  f25 Ø6,5x40 mm	4x  k27
8x  l2 Ø4x16 mm	8x  p38 Ø3,5x16 mm	8x  p51 Ø3,5x15 mm
4x  p131 Ø4x16 mm	4x  p55 Ø2,9x16 mm	6x  r1 Ø15x12 mm #16
8x  r15 Ø12x10,5 mm #12	14x  r42 300 mm	2x  w171L 300 mm
2x  w171P 300 mm	1x  z1	

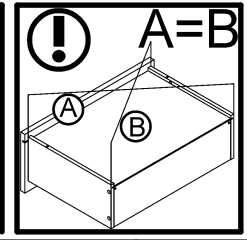
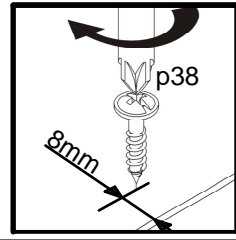
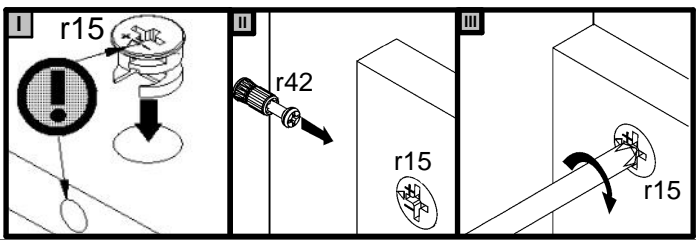
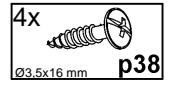
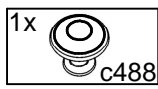
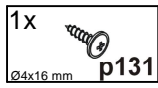
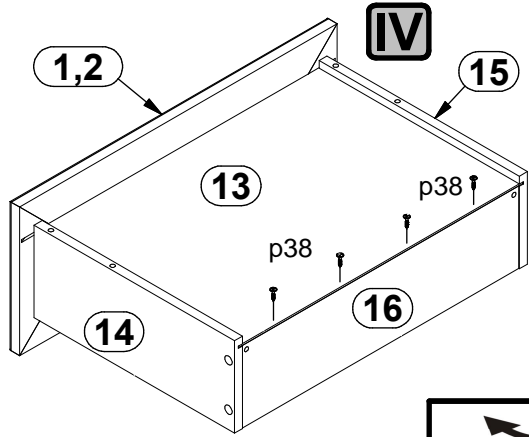
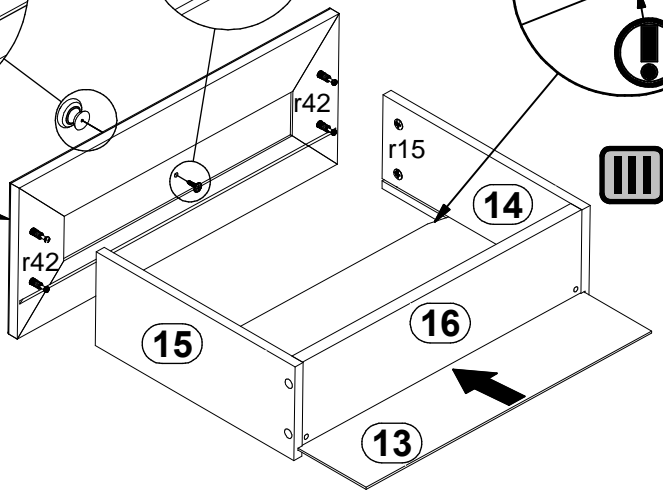


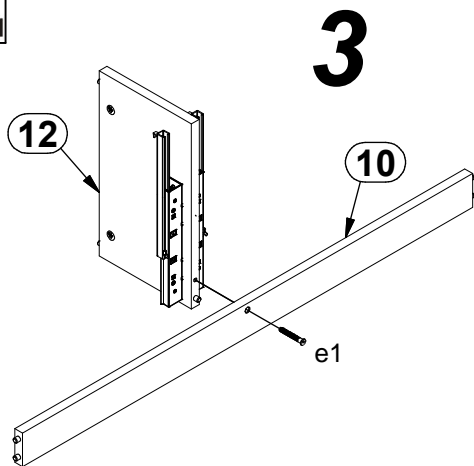
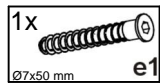
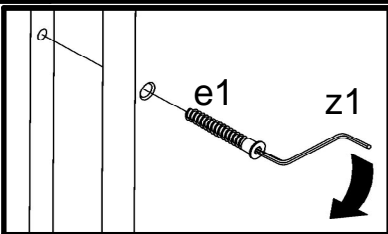
1x  f35 Ø10x50 mm	1x  n14/2 26x21x151,5	1x  p17 Ø5x60 mm	2x  p38 Ø3,5x16 mm
---	---	--	--



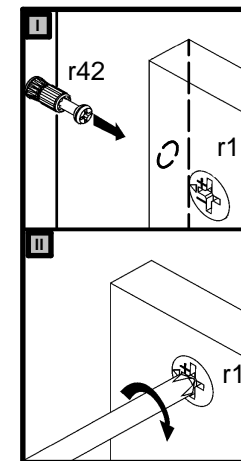
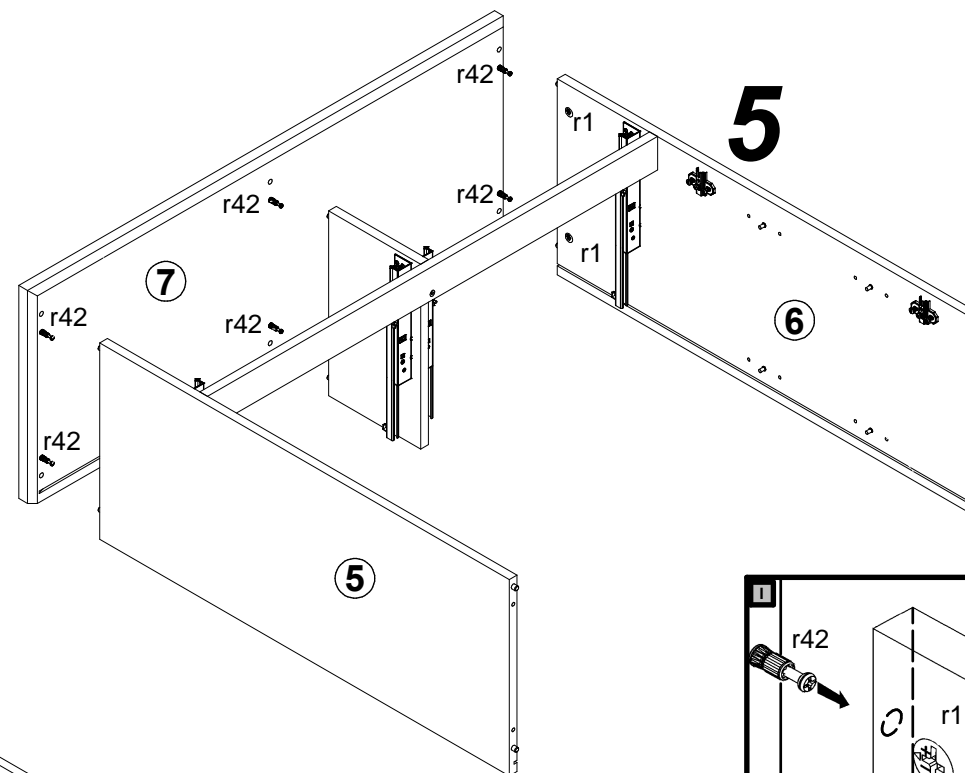
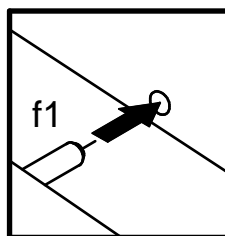
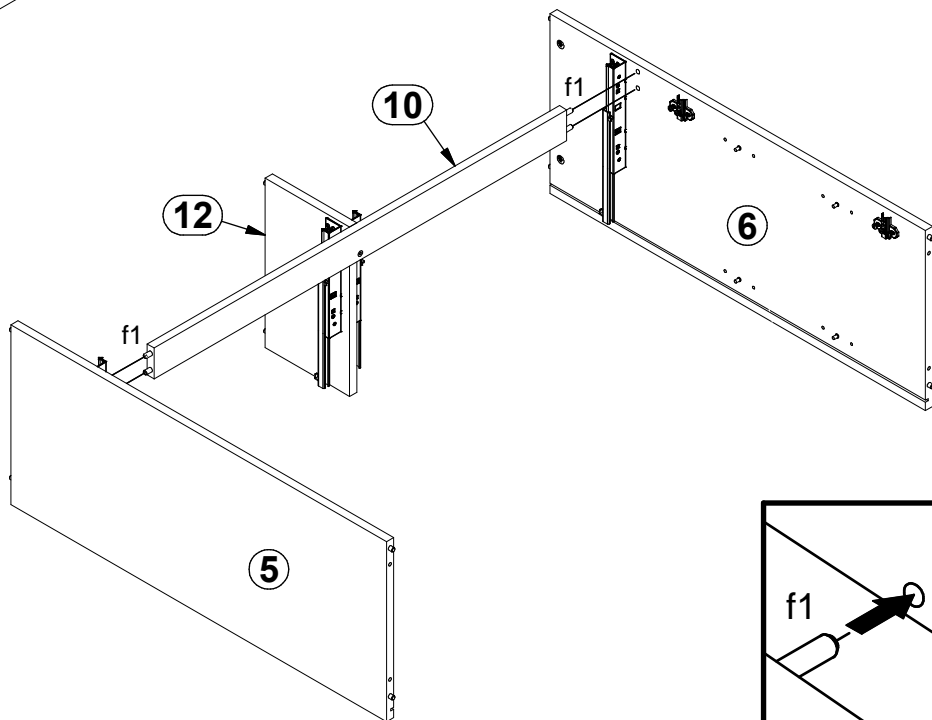


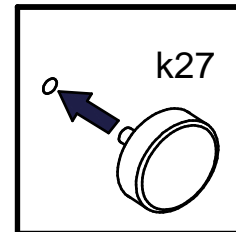
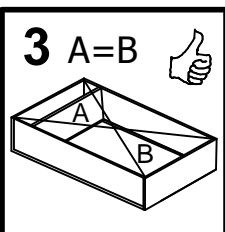
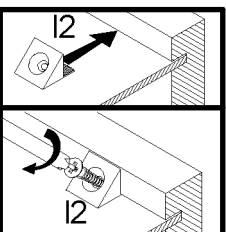
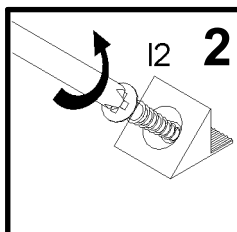
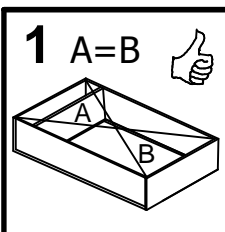
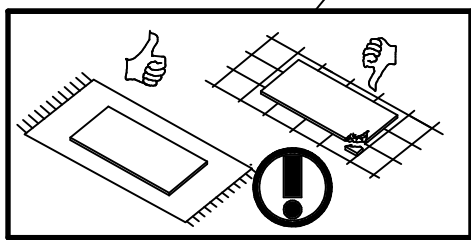
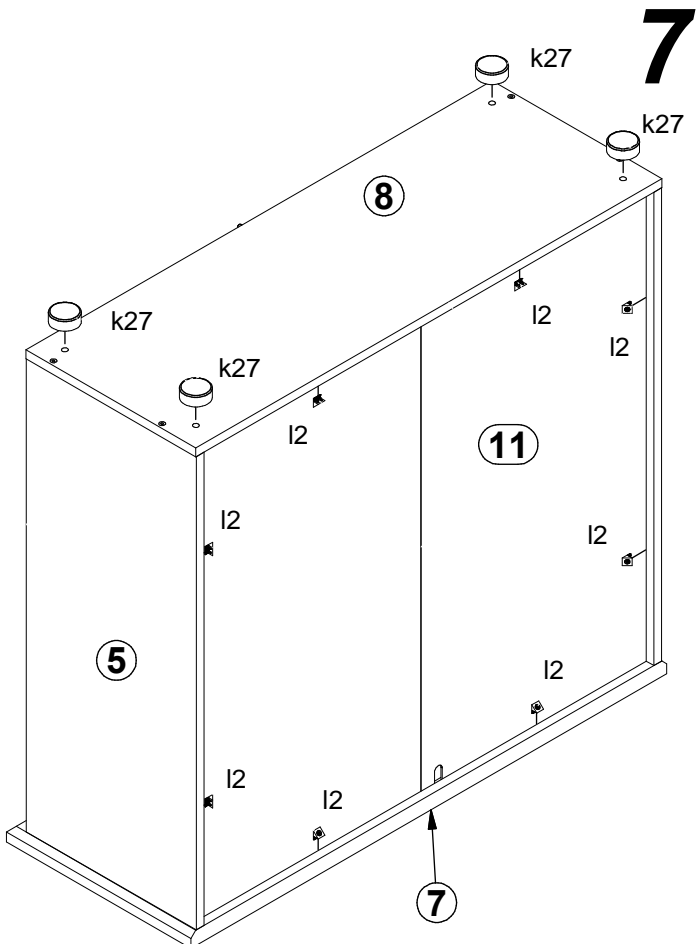
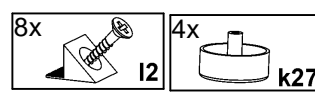
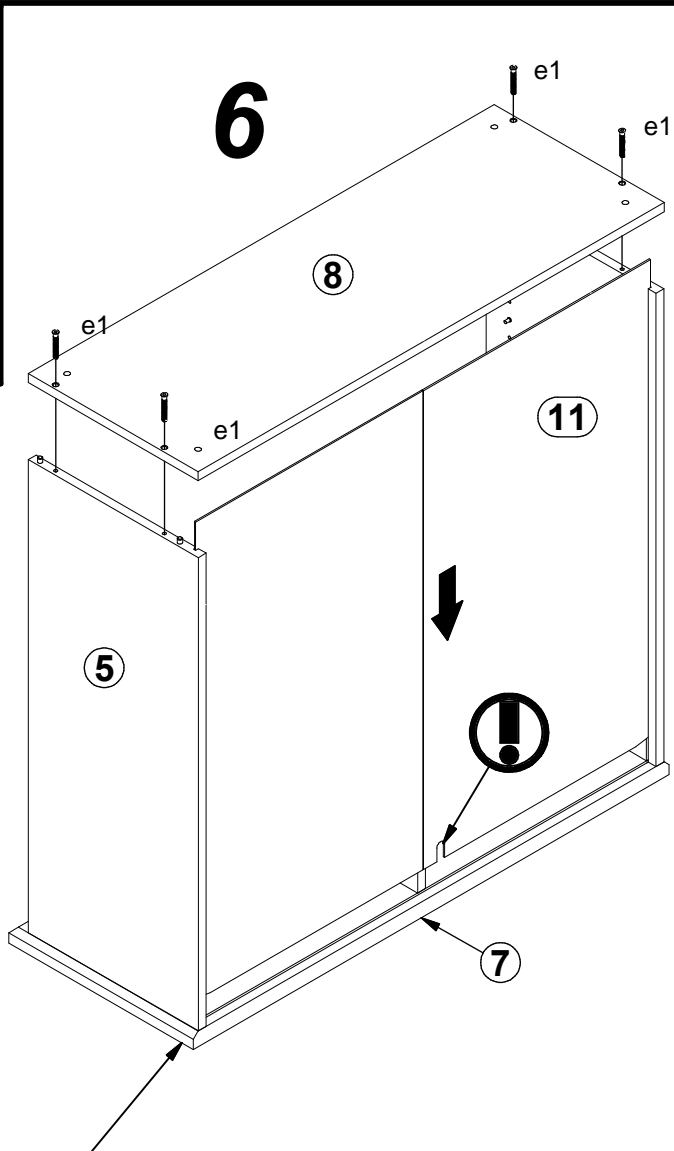
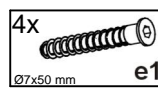
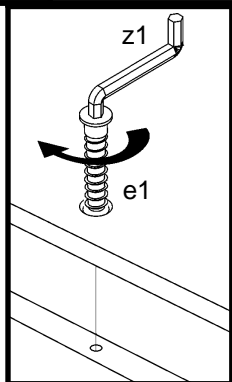
1,2



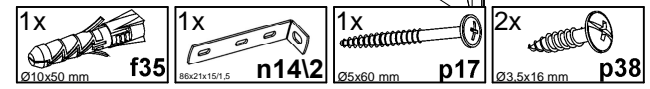
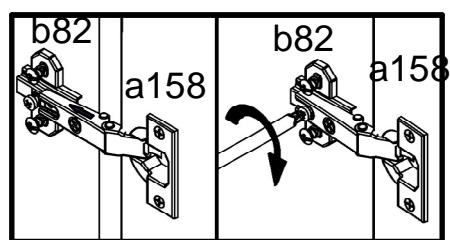
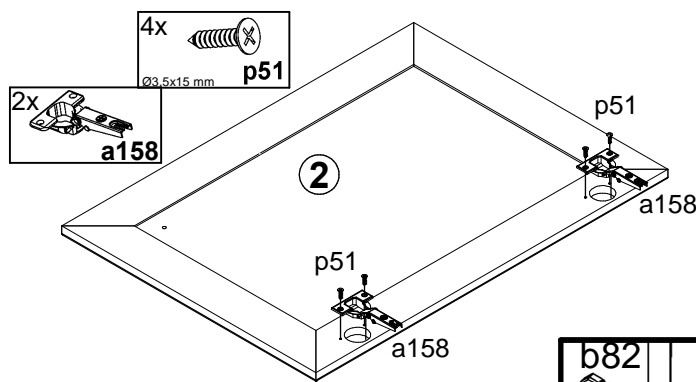
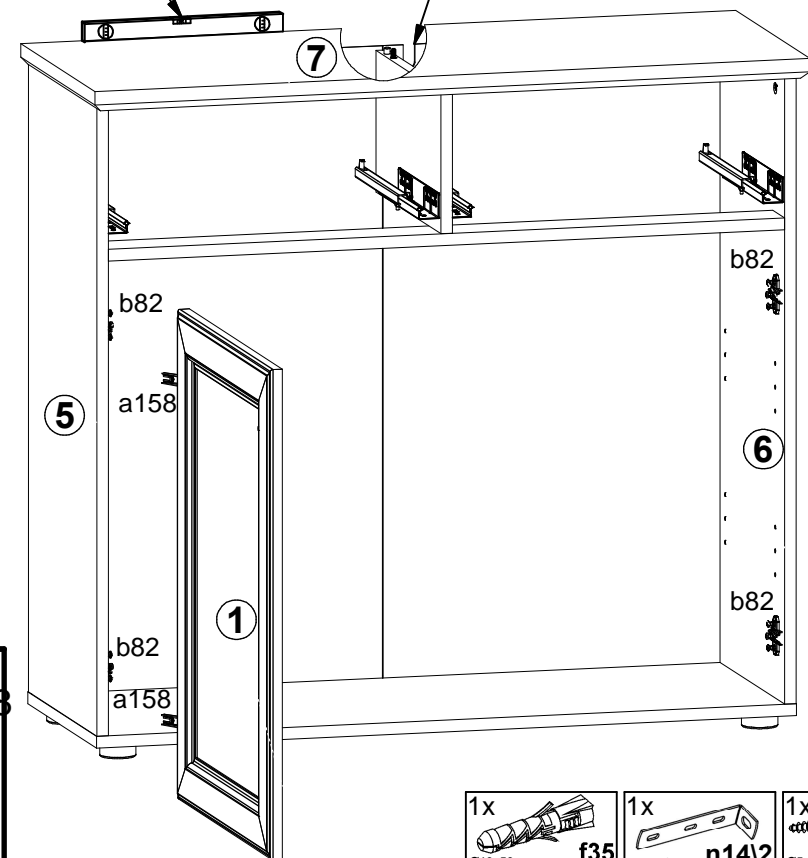
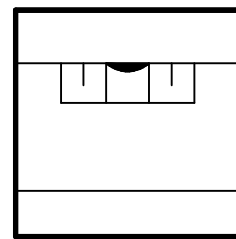
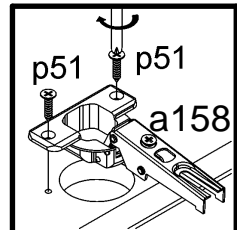
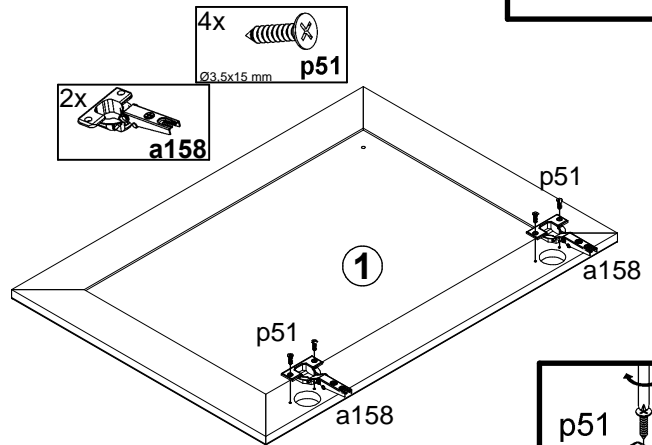
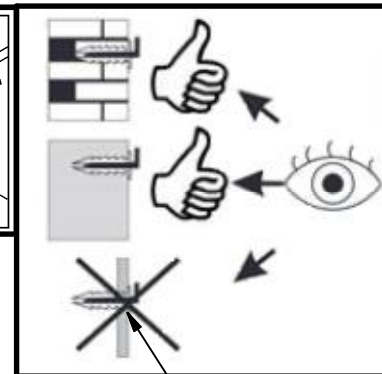
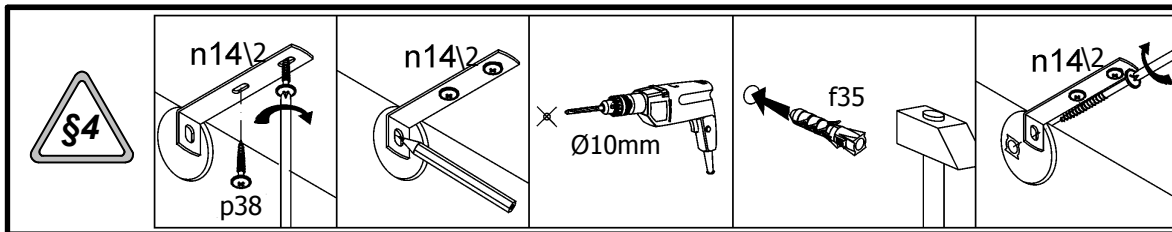


4

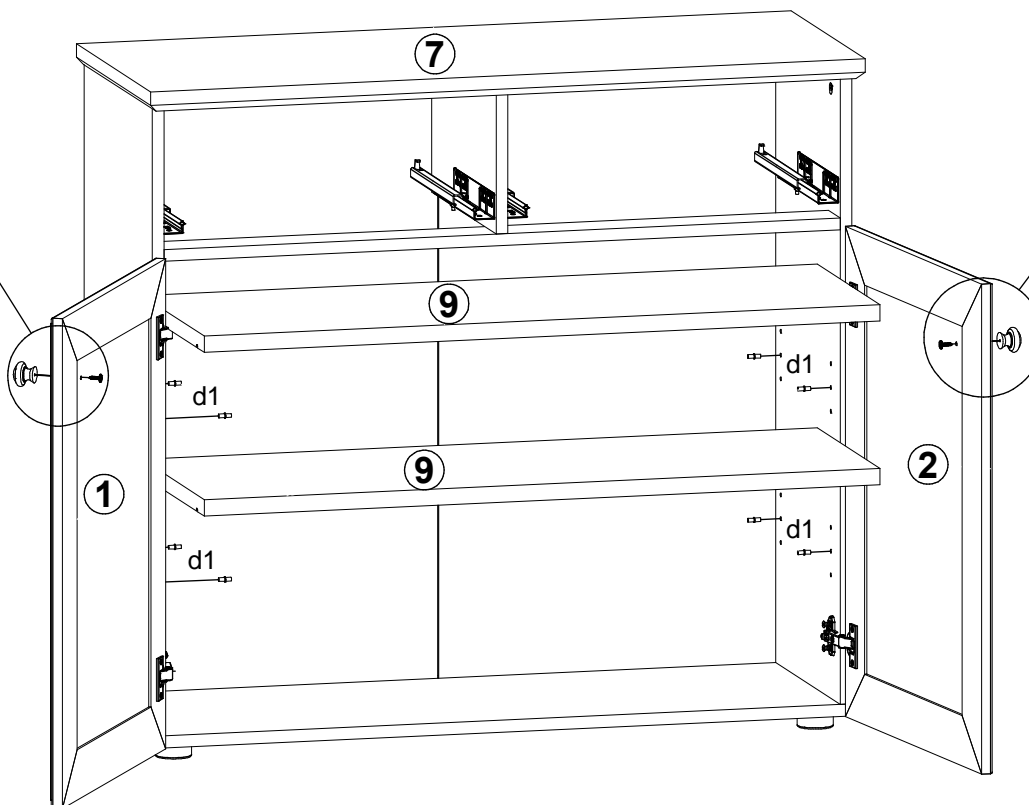
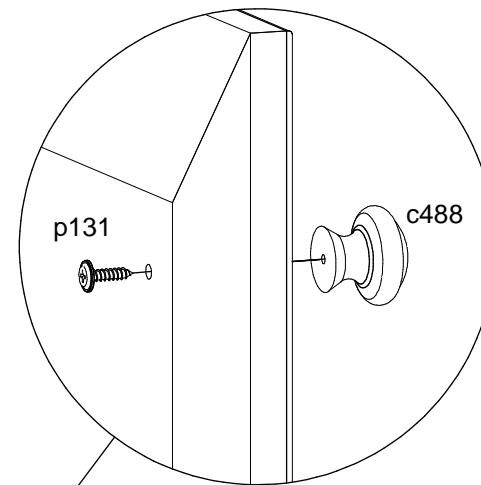
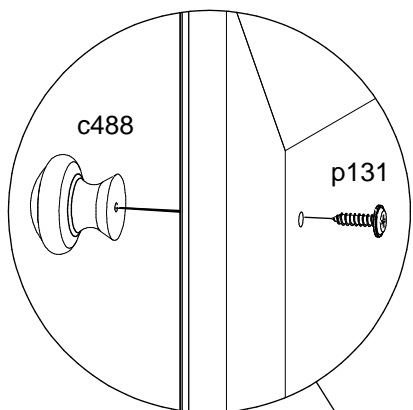
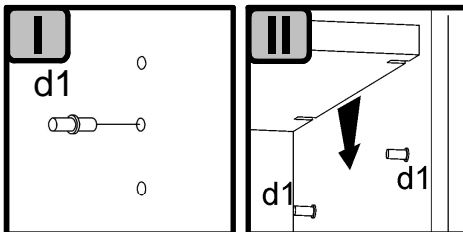




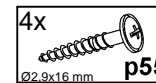
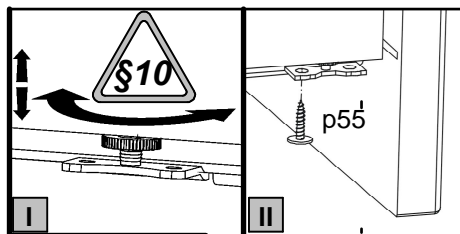
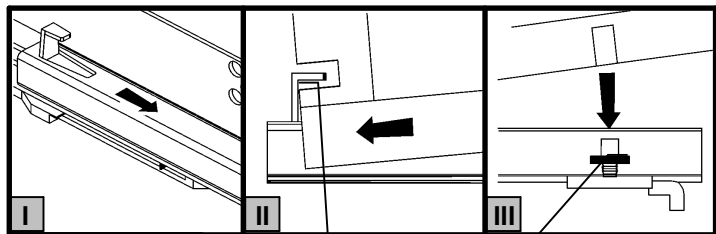
8



# 9







10

