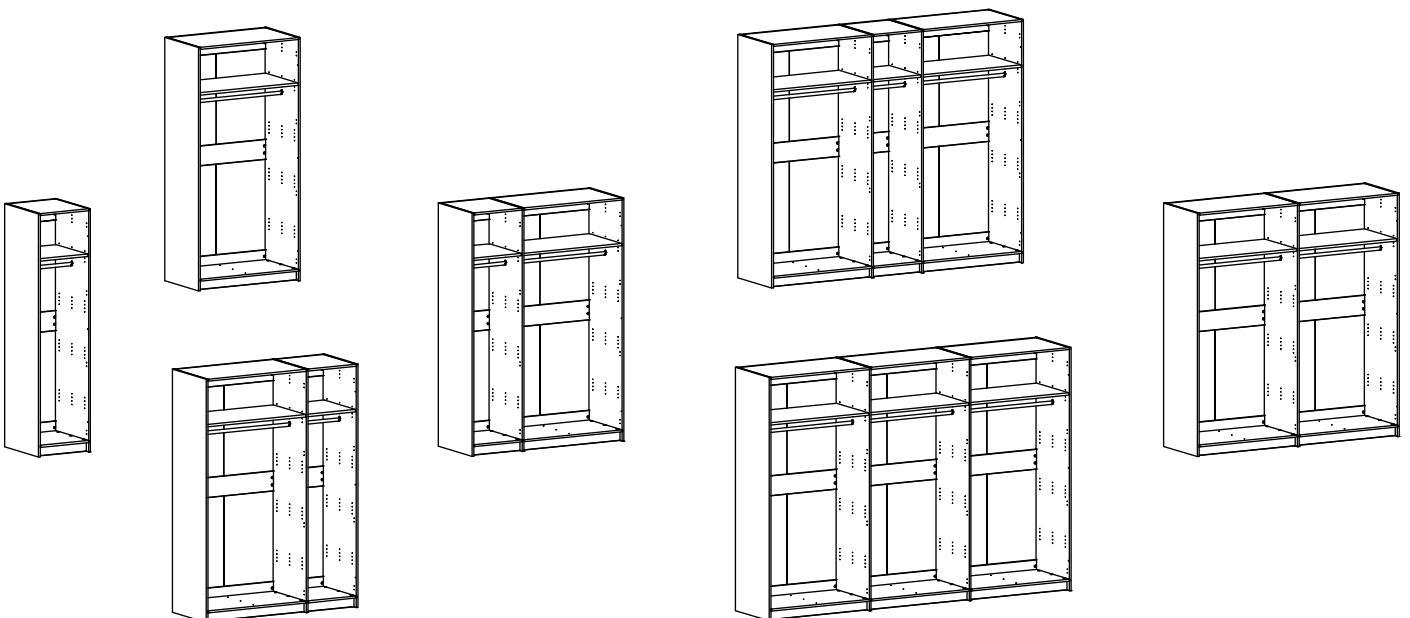
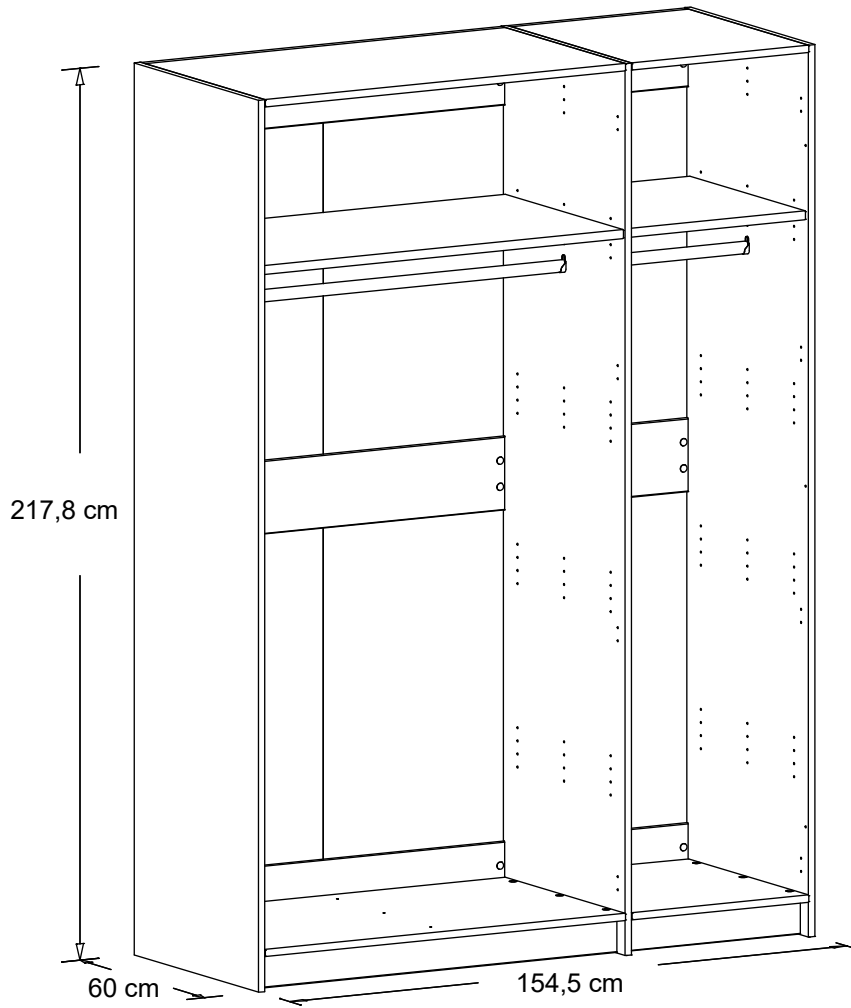
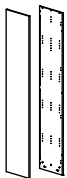
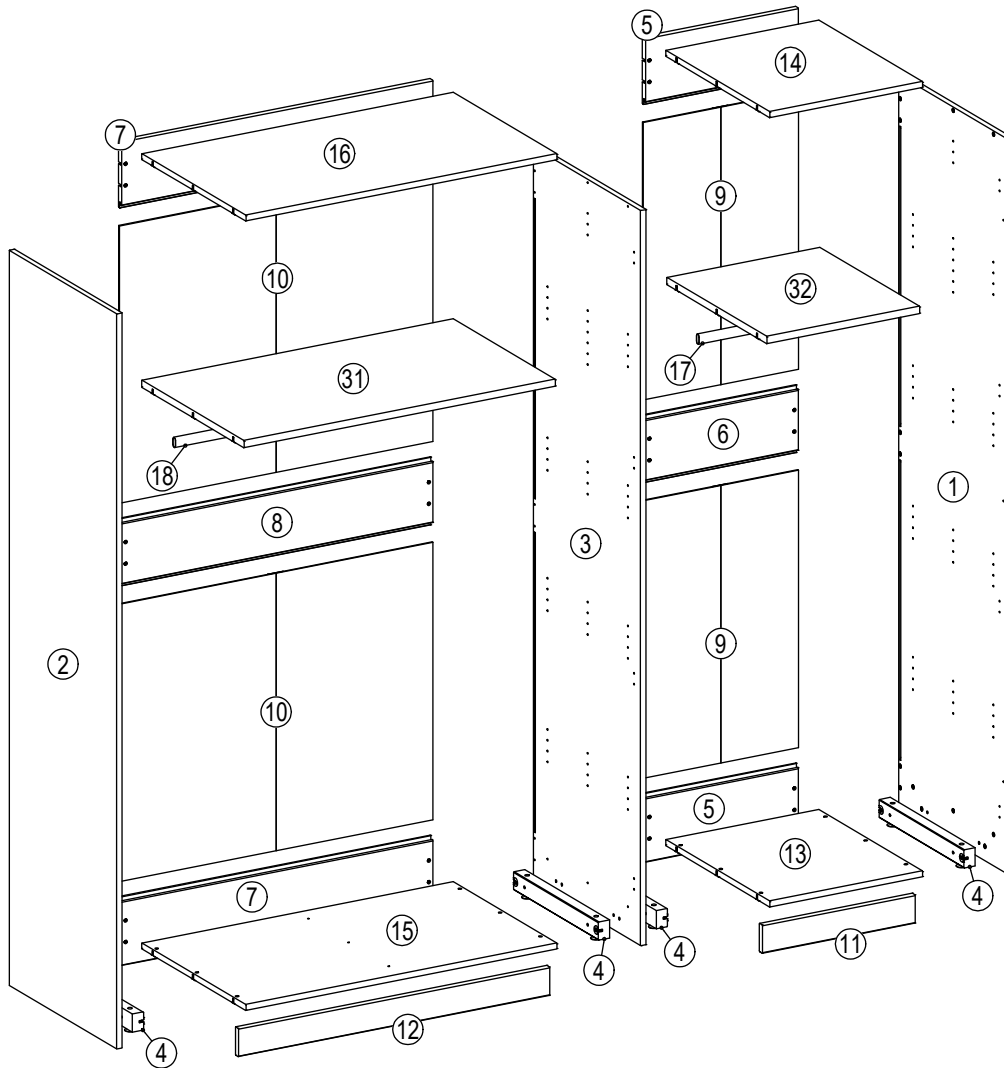
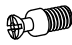
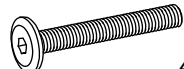



Wardrobe






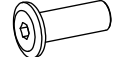


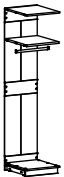
335 02 1:1

<p>B32</p>  <p>24 x M6 x 7,5mm</p>	<p>L06</p>  <p>4 x M6 x 45mm</p>	<p>Z04</p>  <p>1 x 4mm</p>
--	--	---








335 01 1:1

<p>B35</p>  <p>12 x M4 x 12mm</p>	<p>B36</p>  <p>12 x M4, ø5 x 14,5mm</p>	<p>L13</p>  <p>2 x M6 x 80mm</p>	<p>M01</p>  <p>2 x M6, ø8 x 22mm</p>
---	---	---	--








445 05 1:1

<p>A26</p>  <p>4 x ø8 x 40mm</p>	<p>B31</p>  <p>6 x ø5 x 8mm</p>	<p>B32</p>  <p>2 x M6 x 7,5mm</p>	<p>N13</p>  <p>2 x</p>	<p>U01</p>  <p>18 x ø18mm</p>
--	---	---	--	---



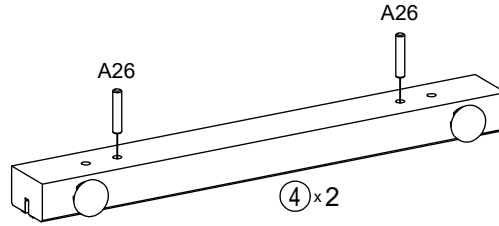
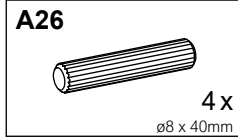
445 10 1:2 + 2:2

<p>A26</p>  <p>4 x ø8 x 40mm</p>	<p>B31</p>  <p>6 x ø5 x 8mm</p>	<p>B32</p>  <p>2 x M6 x 7,5mm</p>	<p>N13</p>  <p>2 x</p>	<p>U01</p>  <p>18 x ø18mm</p>
--	---	---	--	---

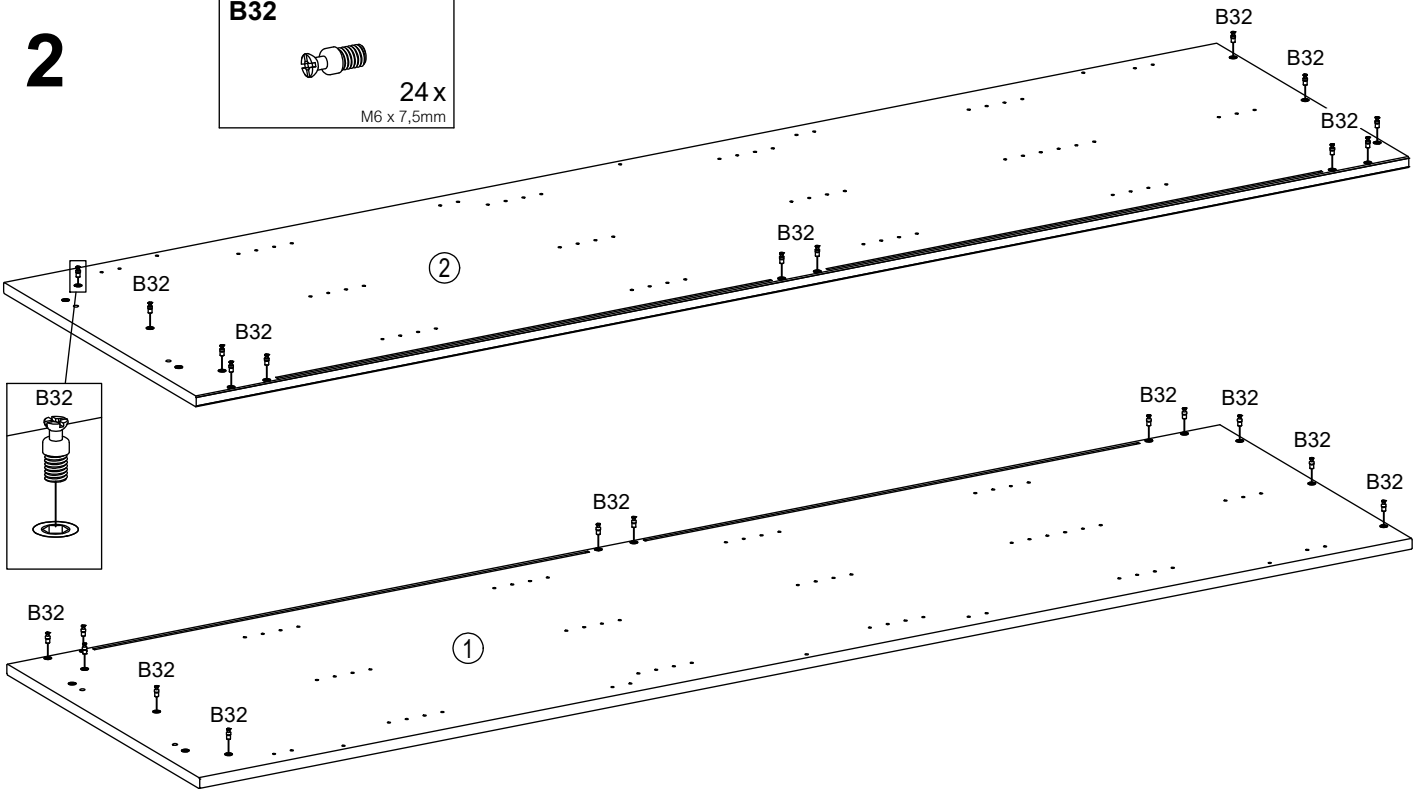
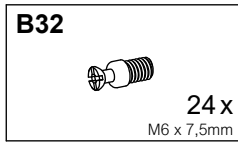


335 02 1:1

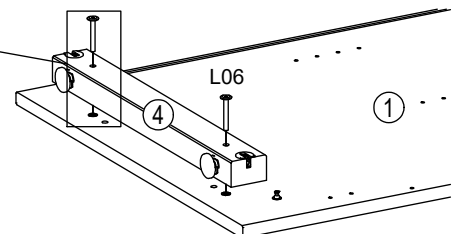
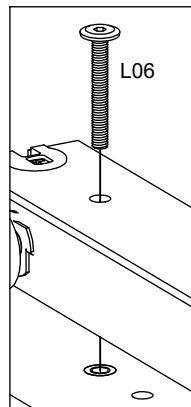
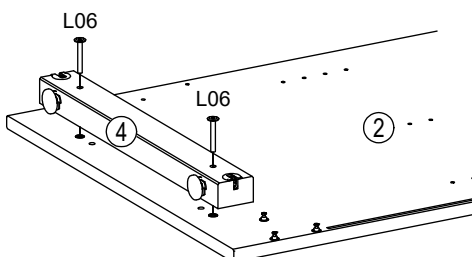
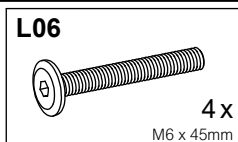
1



2



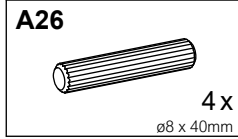
3





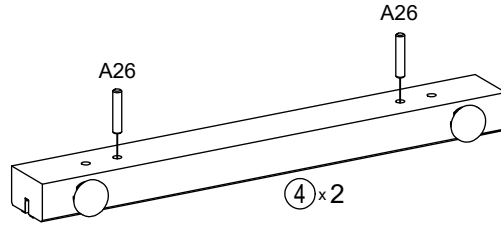
335 01 1:1

4



4 x

ø8 x 40mm

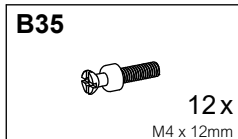


A26

A26

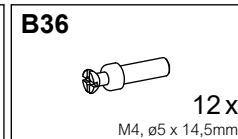
④ x 2

5



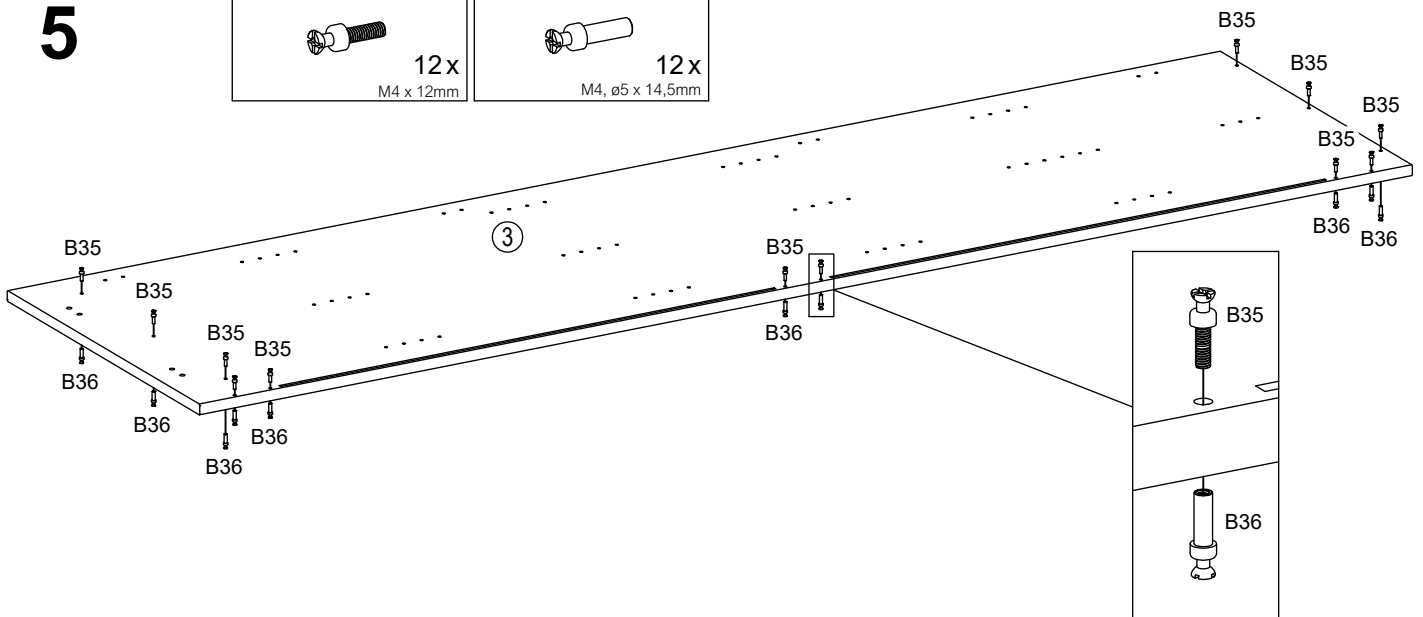
12 x

M4 x 12mm



12 x

M4, ø5 x 14,5mm



B35

B35

B35

B35

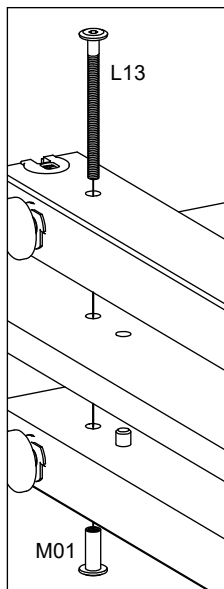
B36

B36

B35

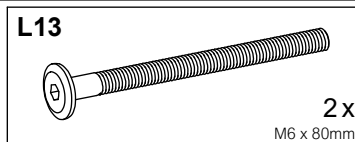
B36

6



L13

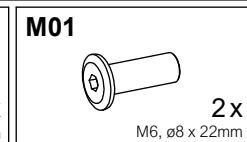
M01



L13

2 x

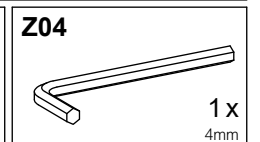
M6 x 80mm



M01

2 x

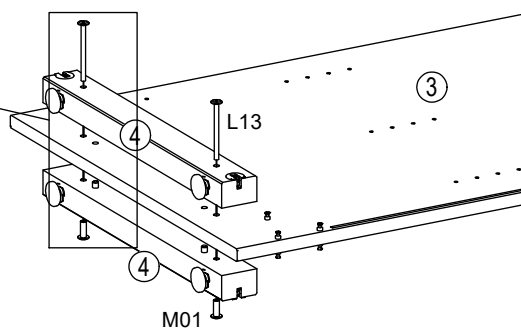
M6, ø8 x 22mm



Z04

1 x

4mm

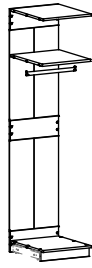


L13

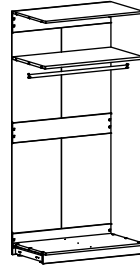
④

④

M01

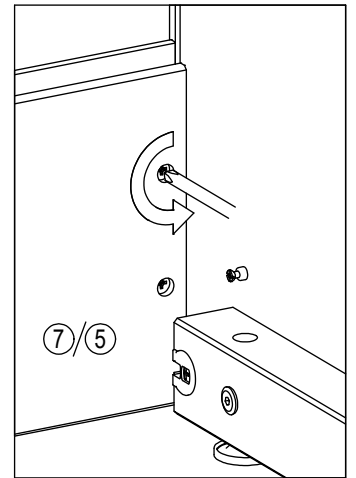
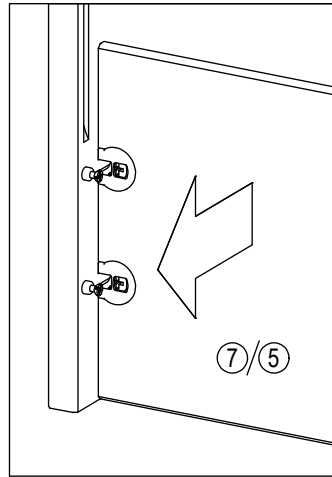
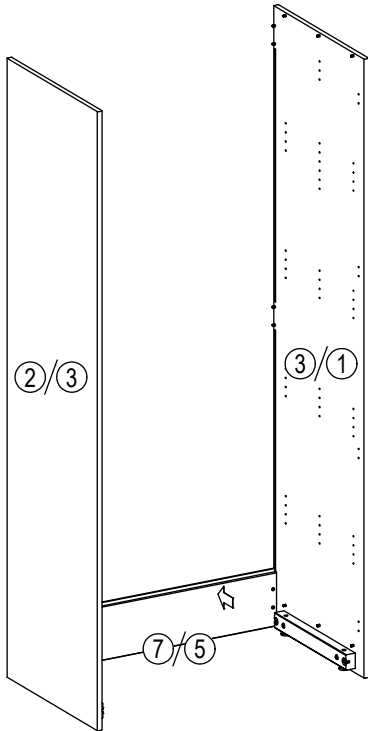


445 05 1:1

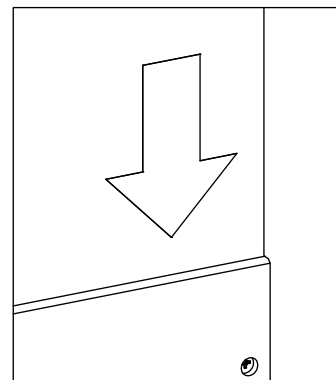
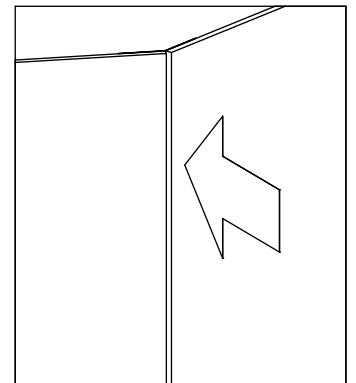
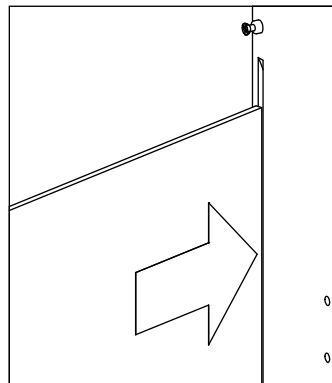
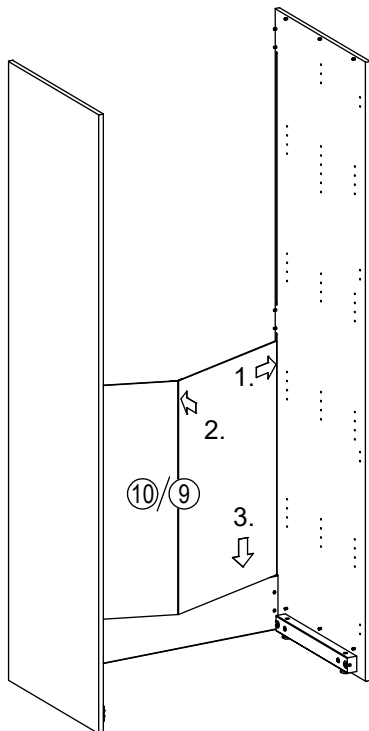


445 10 1:2 + 2:2

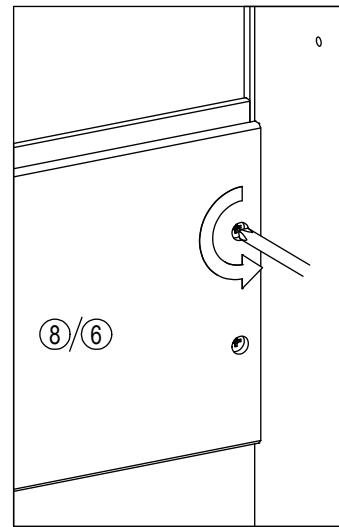
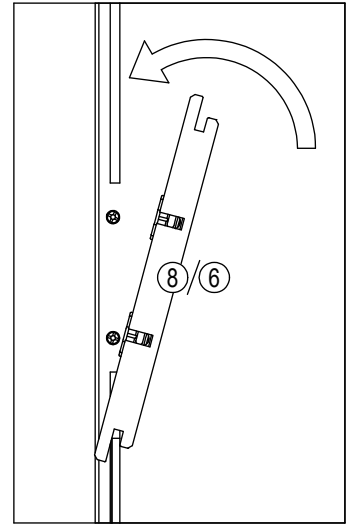
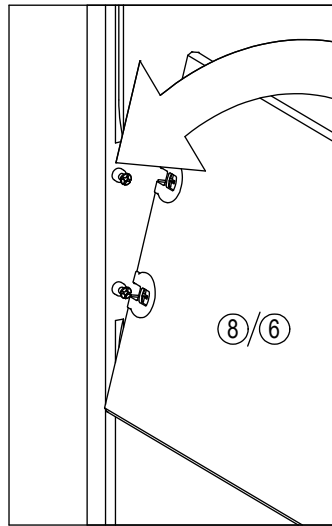
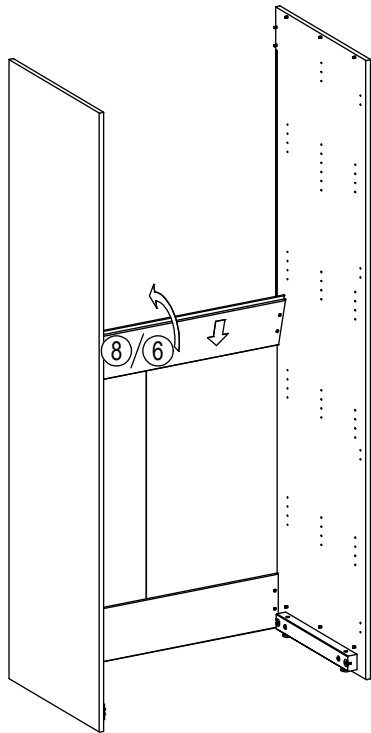
7



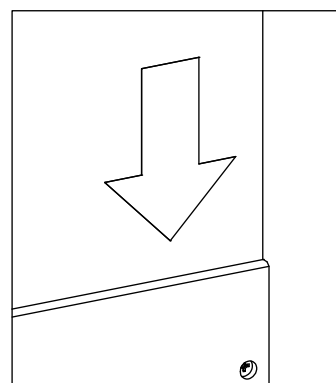
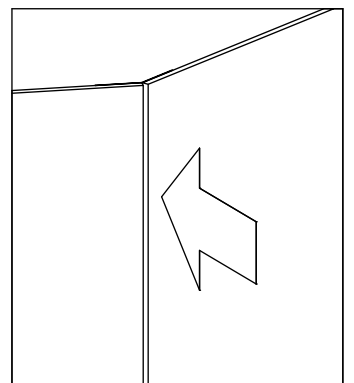
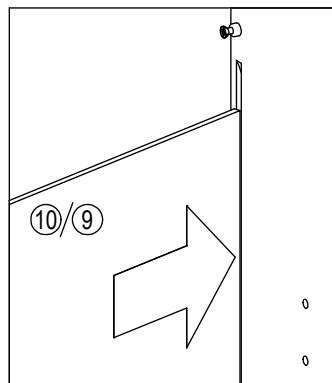
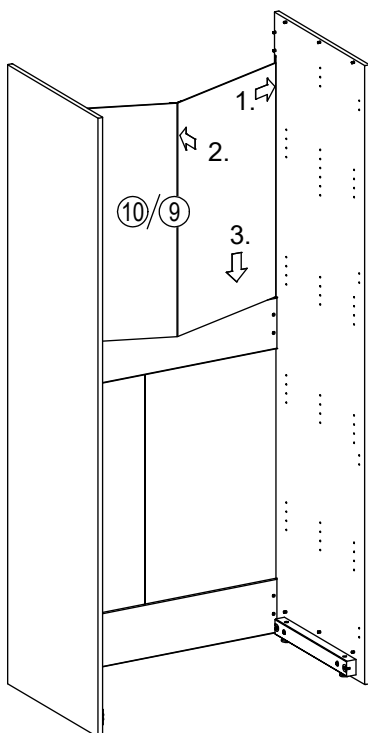
8



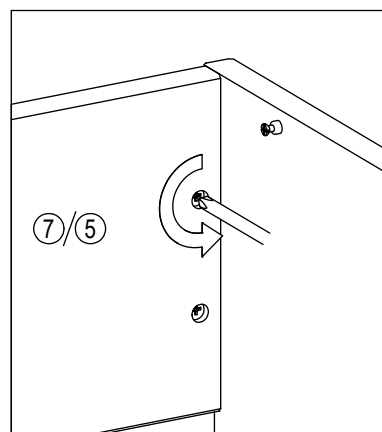
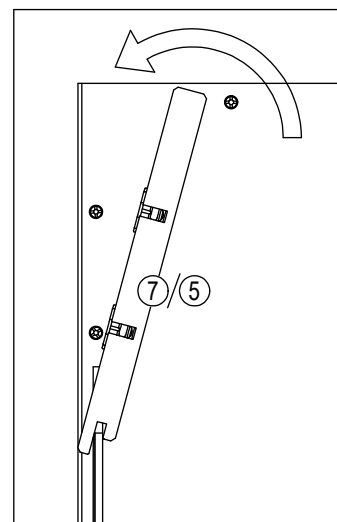
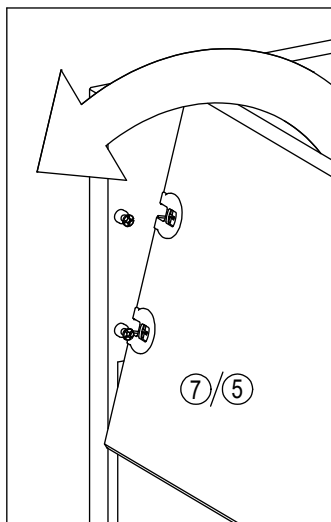
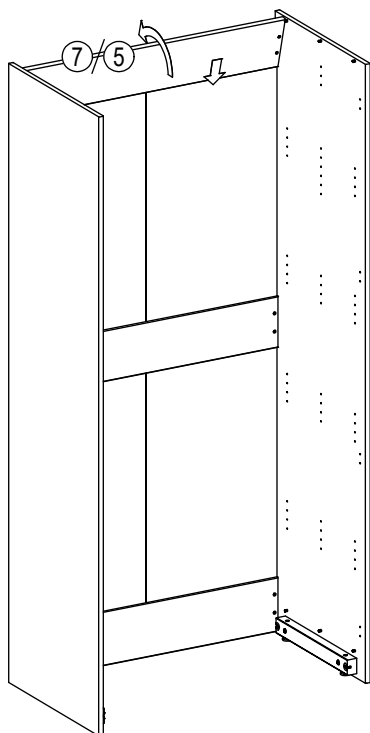
9



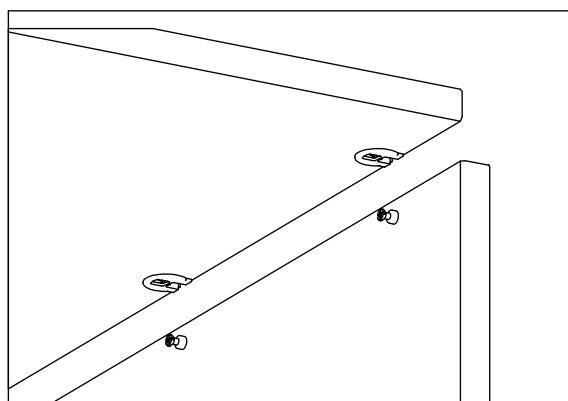
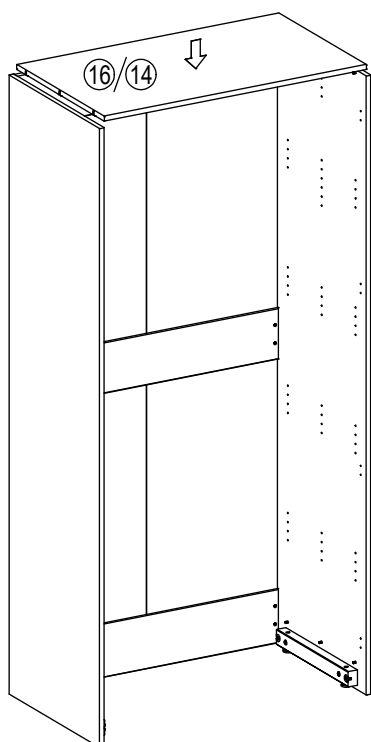
10



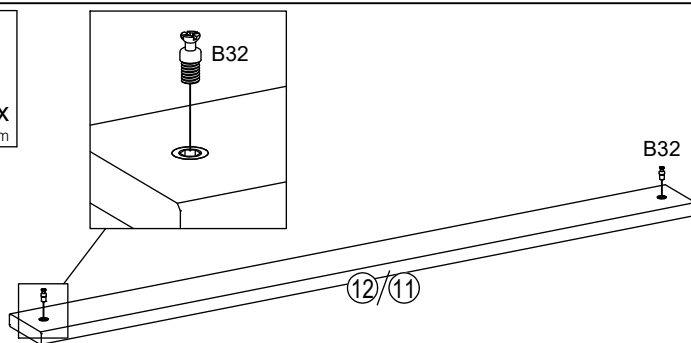
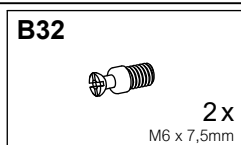
11



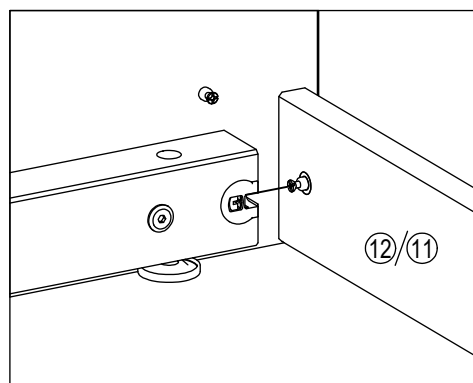
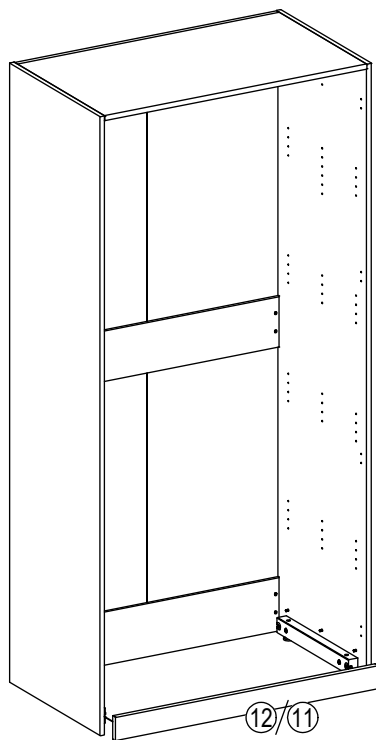
12



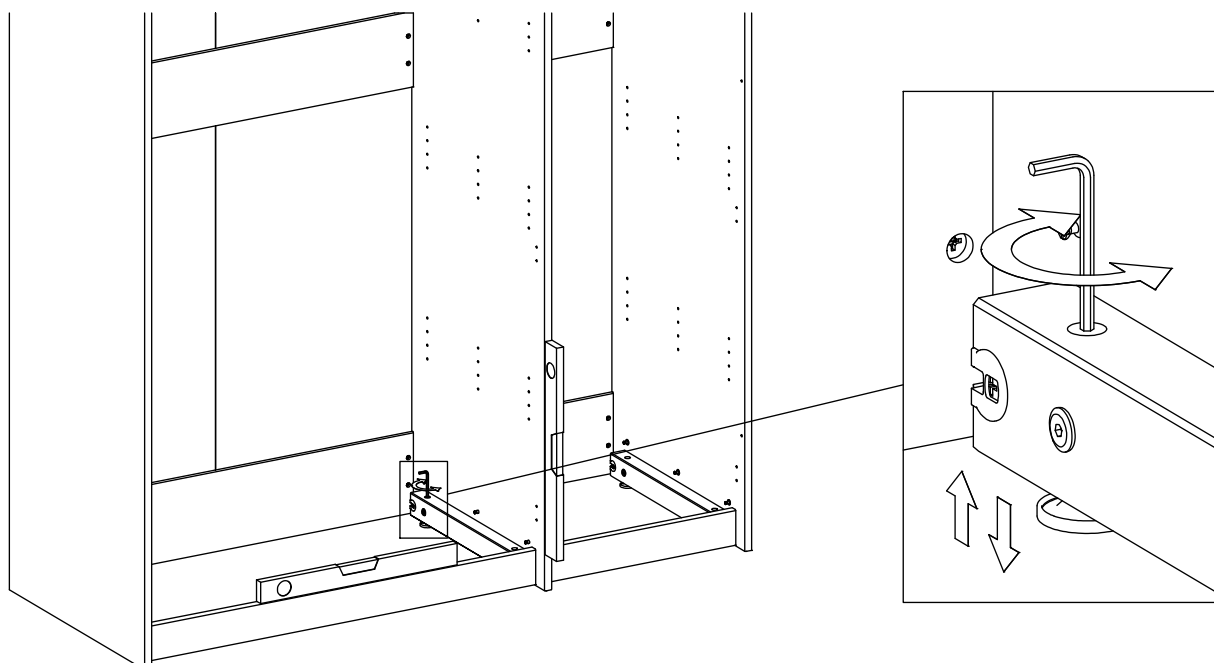
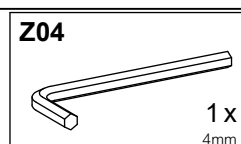
13



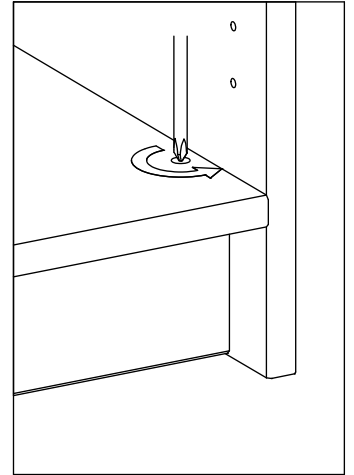
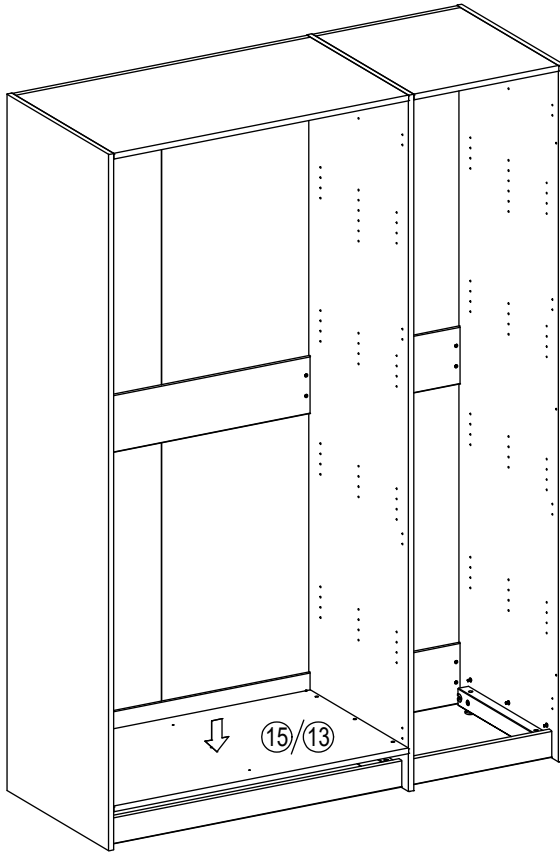
14



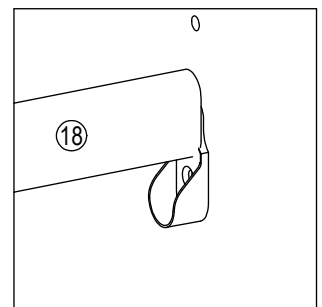
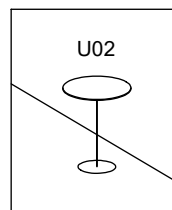
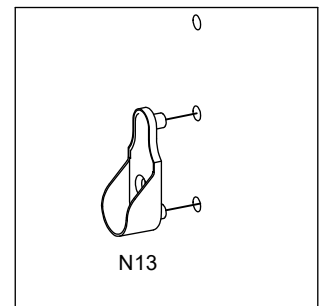
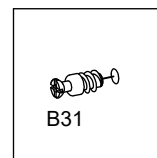
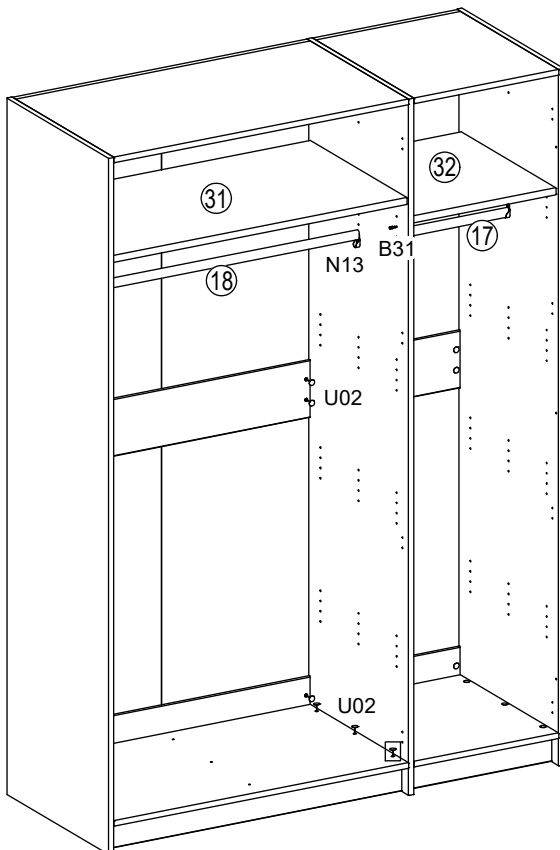
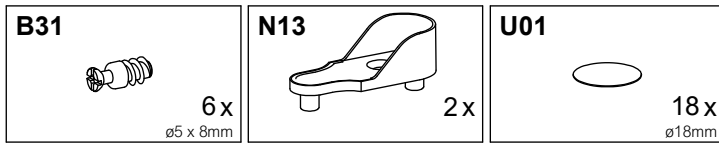
15



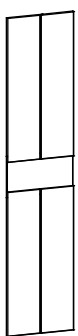
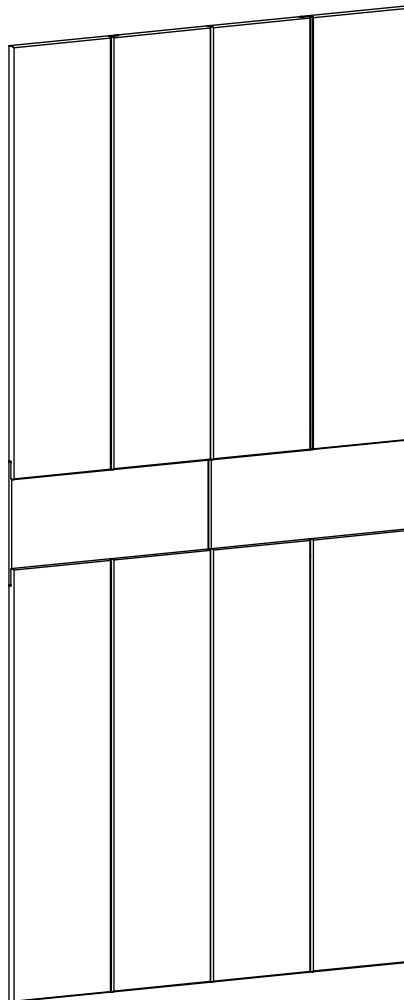
16



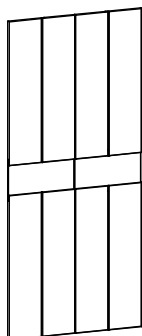
17



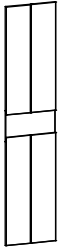
Doors



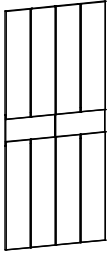
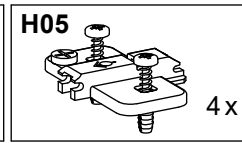
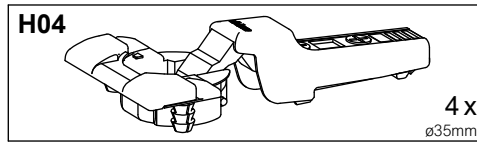
335 20



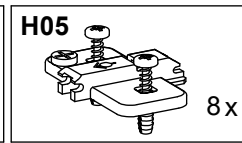
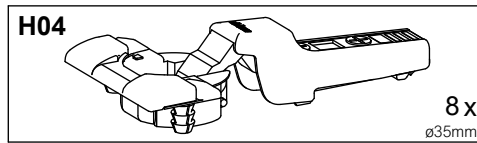
335 21



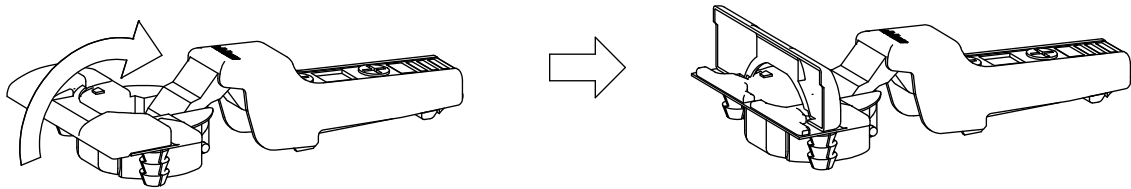
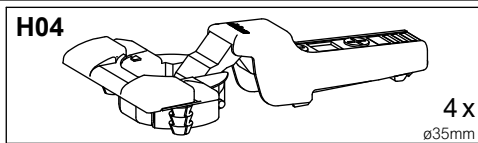
445 20 1:1



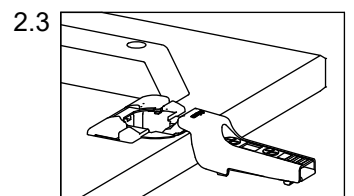
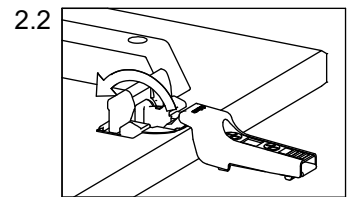
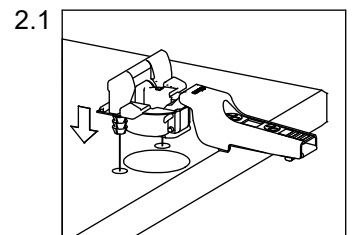
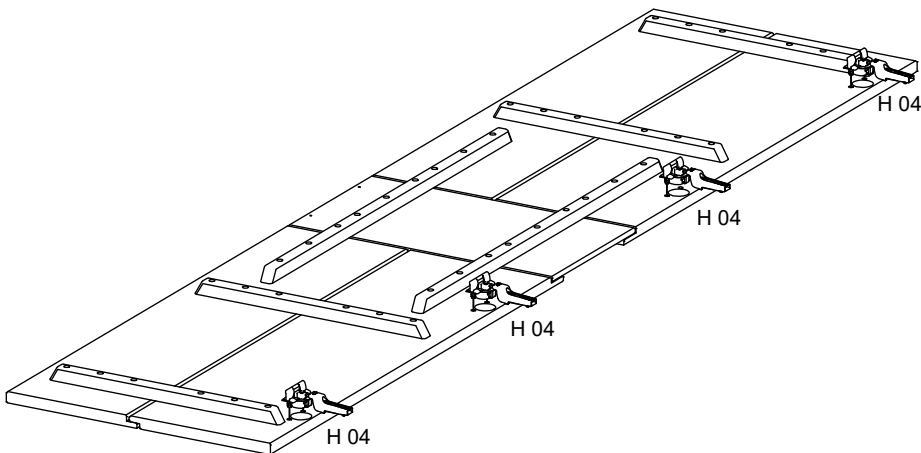
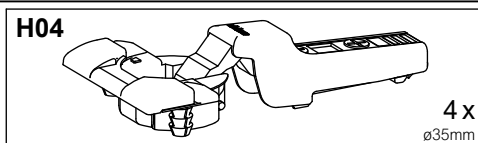
445 21 1:1



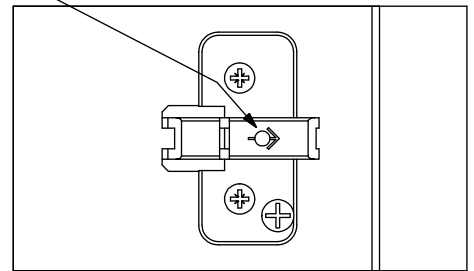
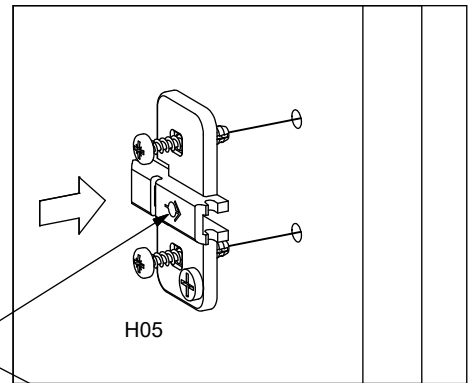
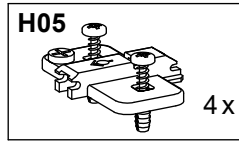
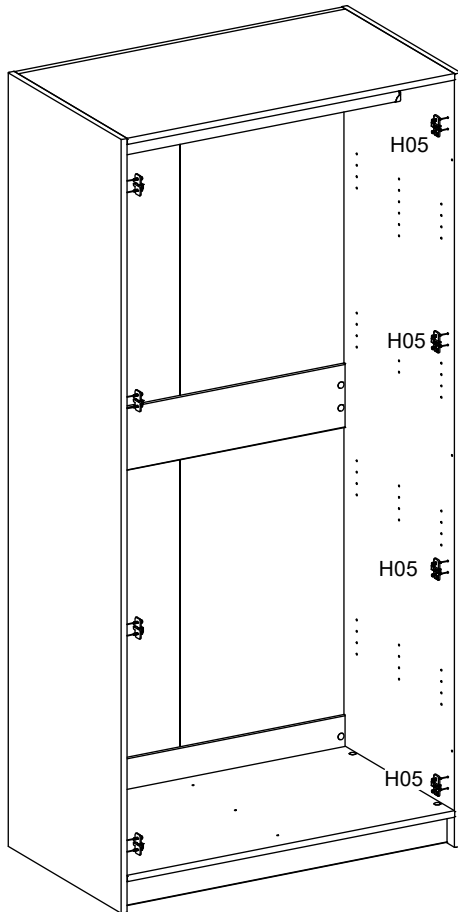
1



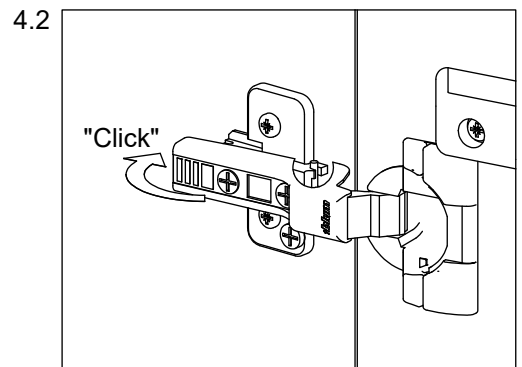
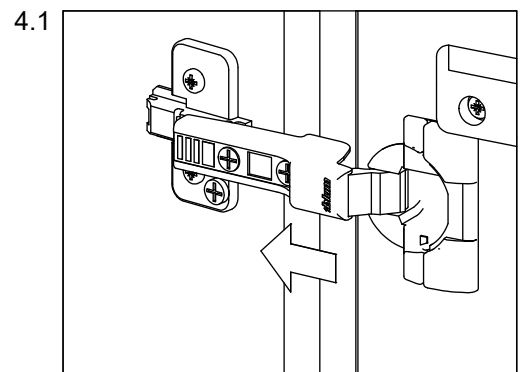
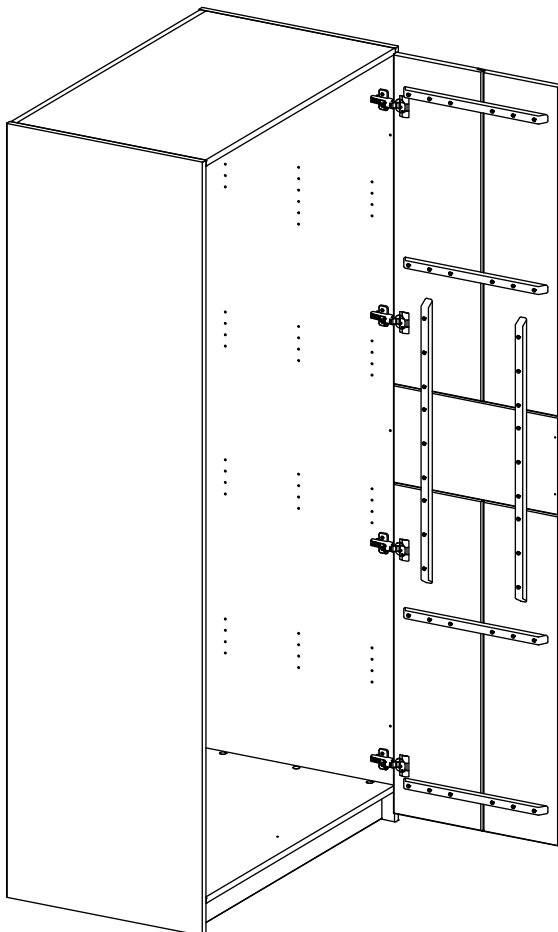
2



3



4



5

