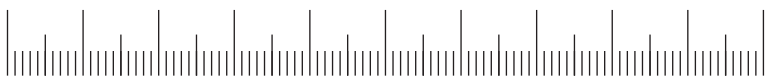
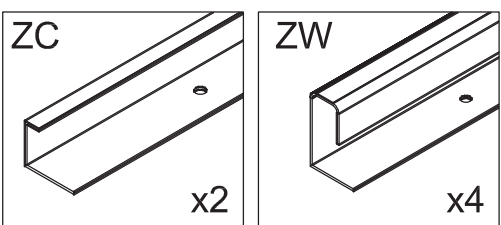
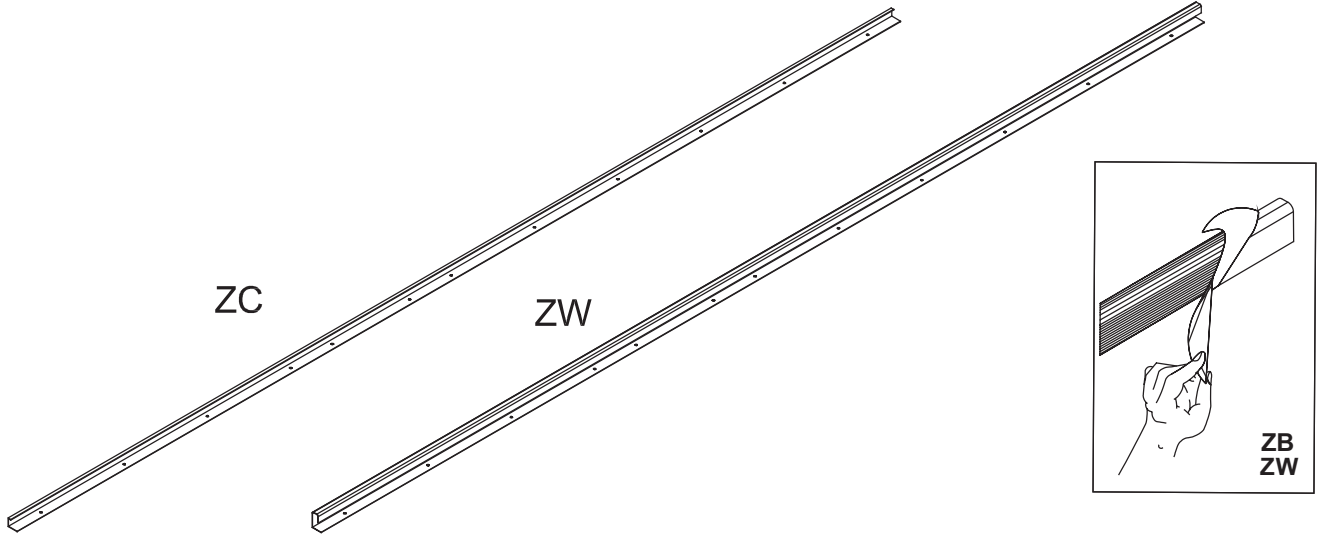
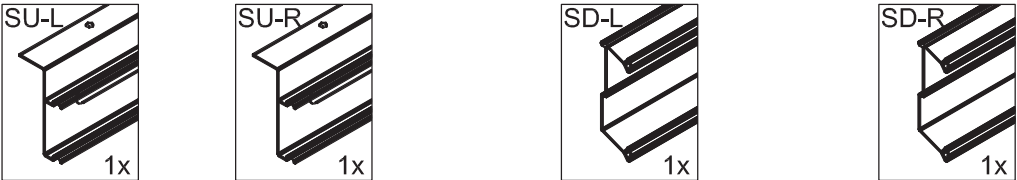
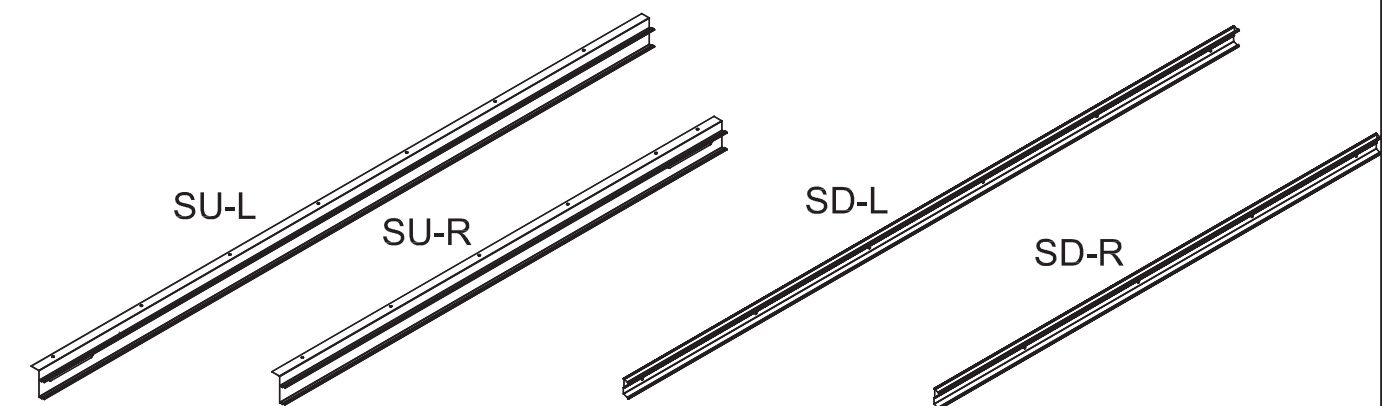
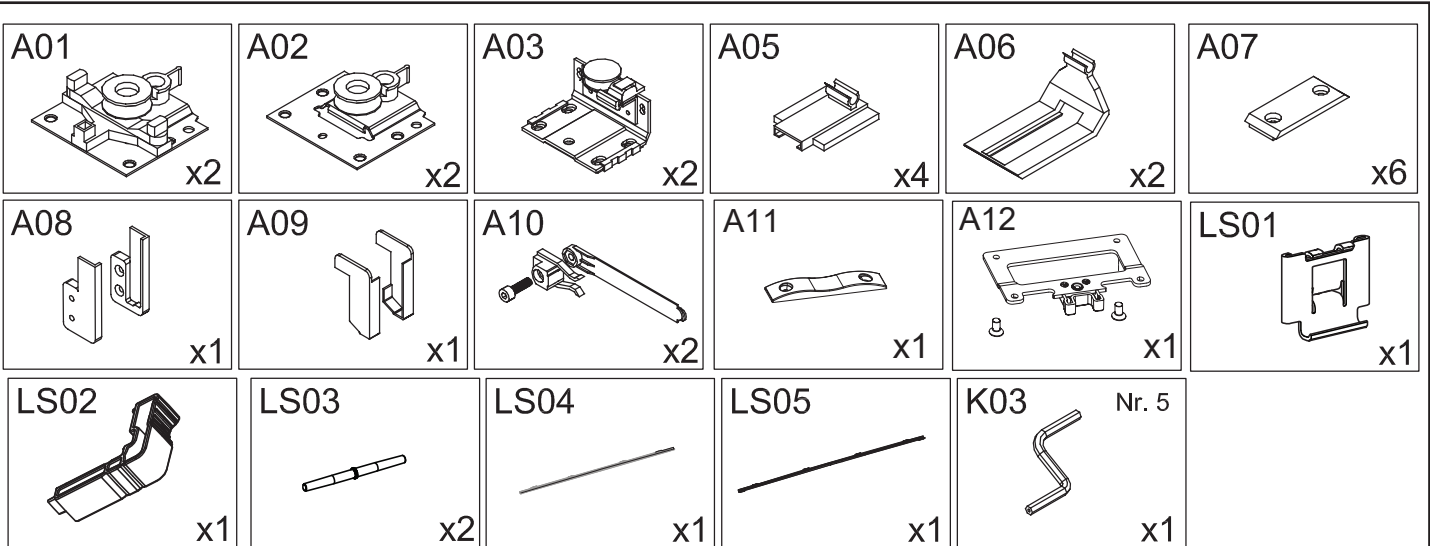


A x24	B x40	C x24	D x40	E Ø8x30 x56
E1 Ø8x50 x2	F x16	G x36	H 4,0x16 x54	J 6,3x13 x60
K x6	L L=976 mm x1	L1 L=398 mm x2	M 3,5x15 x187	N x14
P x8	S x24	T x2	I x6	W x12
K02 Nr.4 x1	R x2	O x12	 1/8	

0 10 20 30 40 50 60 70 80 90 100

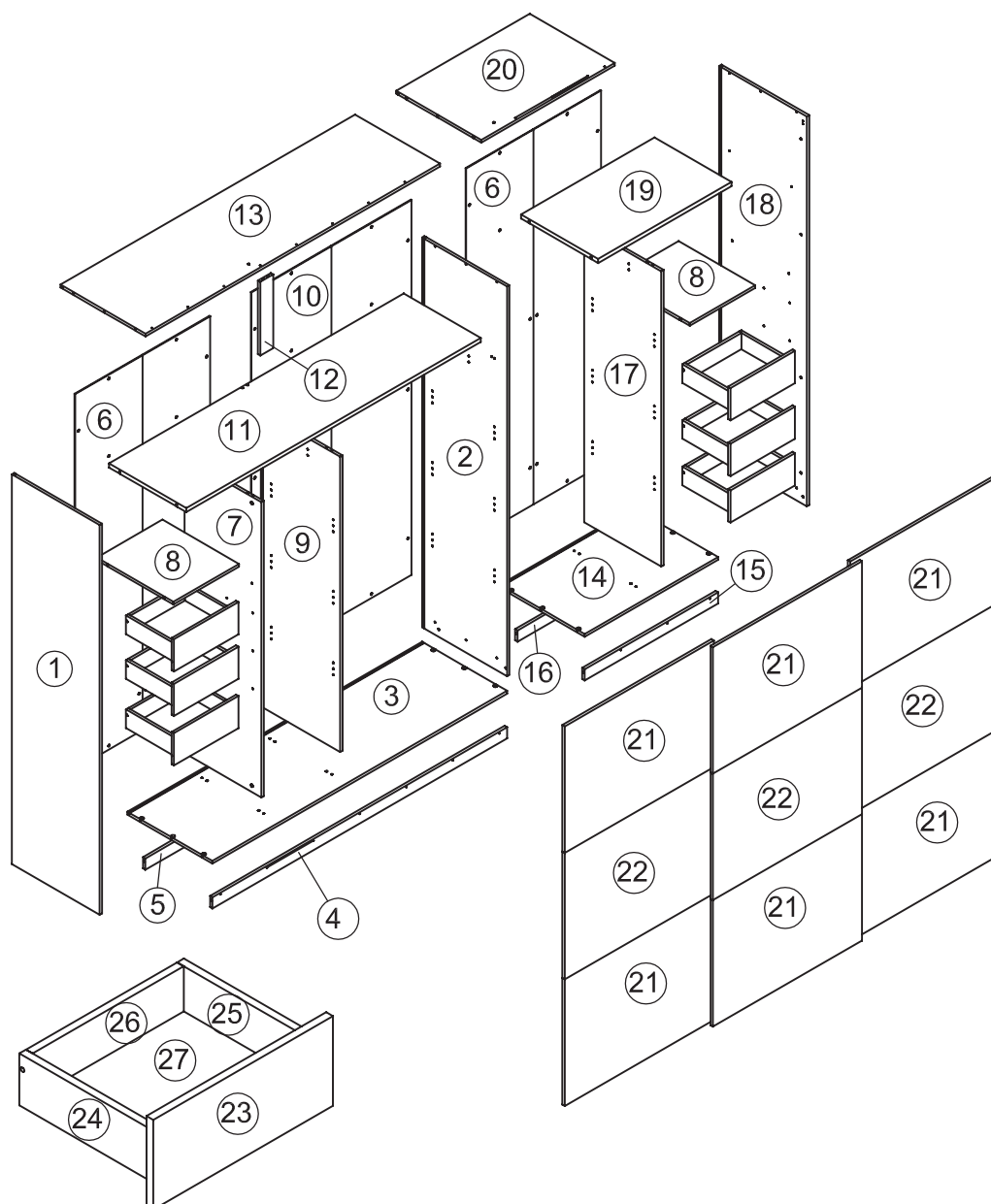




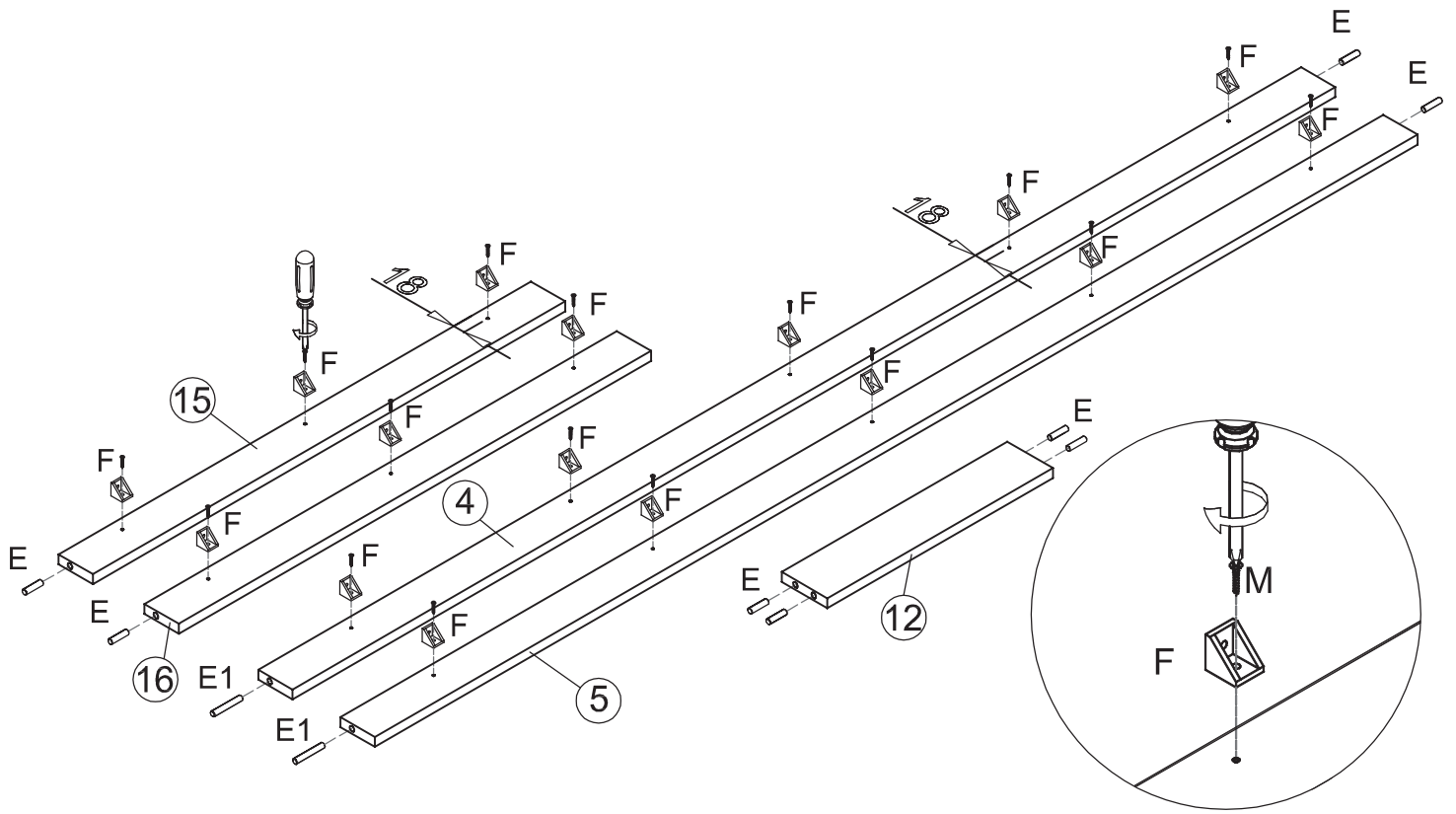
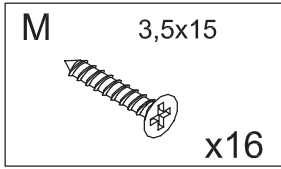
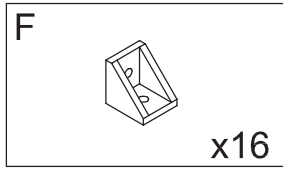
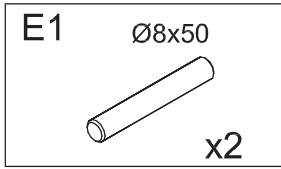
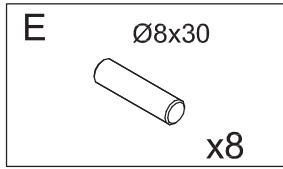
NR	DIM	QTE	COLLI
ZC	L-2036	2	1/8
ZW	L-2036	4	1/8
SU-L	L-1546	1	1/8
SU-R	L-1120	1	1/8
SD-L	L-1546	1	1/8
SD-R	L-1120	1	1/8

NR	DIM	QTE	COLLI
1	2092 x 544 x 15	1	3/8
2	2092 x 527 x 15	1	4/8
3	1826 x 527 x 15	1	2/8
4	1826 x 60 x 15	1	2/8
5	1826 x 60 x 15	1	2/8
6	2012 x 418 x 3	4	4/8
7	1585 x 477 x 15	1	6/8
8	406 x 475 x 15	2	2/8
9	1585 x 491 x 15	1	6/8
10	2012 x 496 x 3	2	3/8
11	1826 x 478 x 22	1	5/8
12	395 x 80 x 15	1	5/8
13	1826 x 527 x 15	1	2/8
21	924 x 679 x 15	1	8/8

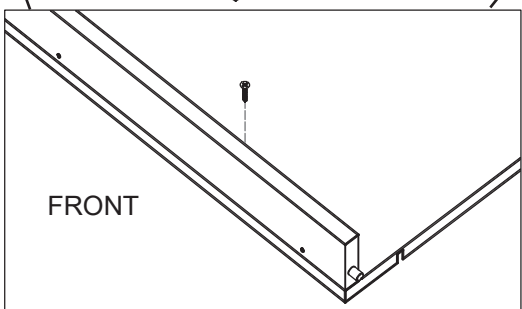
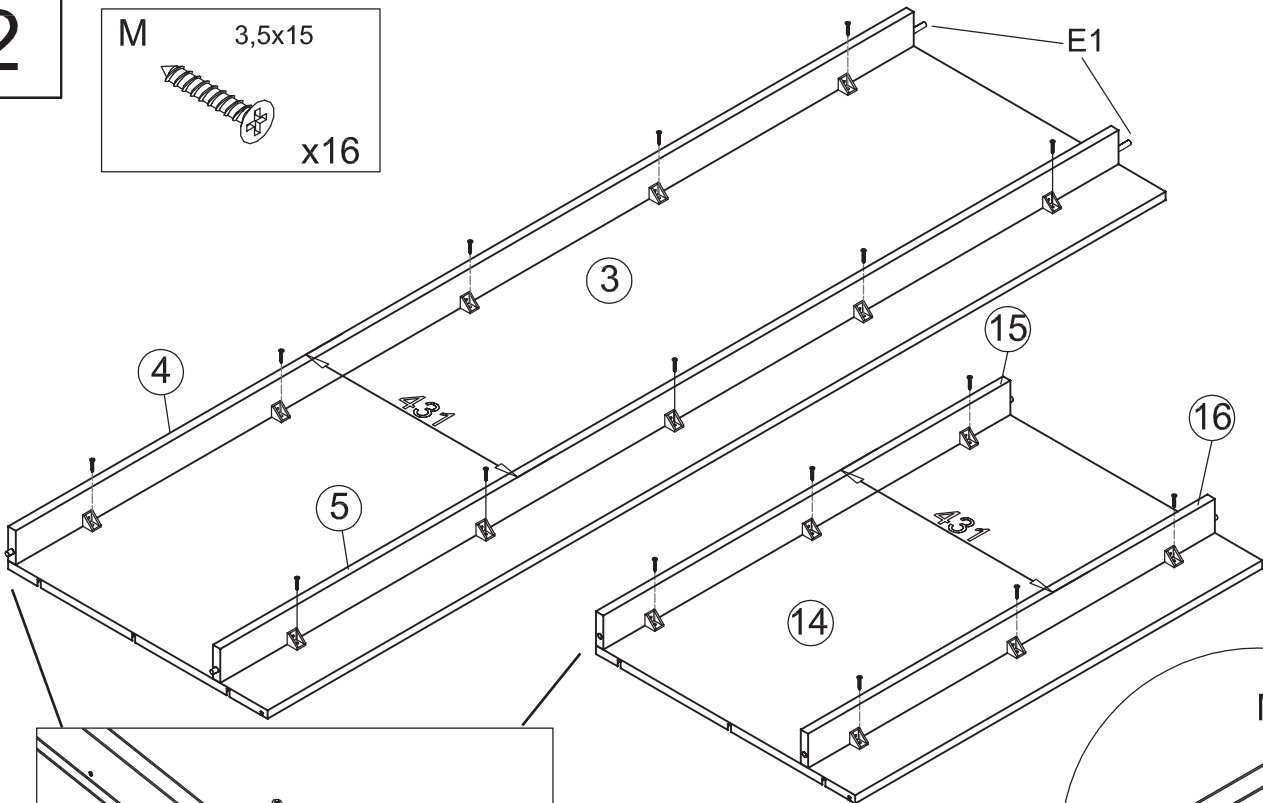
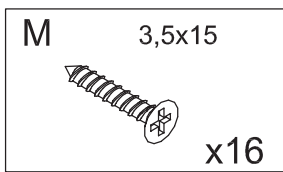
NR	DIM	QTE	COLLI
14	827 x 527 x 15	1	4/8
15	827 x 60 x 15	1	2/8
16	827 x 60 x 15	1	2/8
17	1585 x 477 x 15	1	6/8
18	2092 x 544 x 15	1	3/8
19	827 x 478 x 22	1	5/8
20	827 x 527 x 15	1	4/8
21	924 x 679 x 15	5	7/8
22	924 x 679 x 15	3	8/8
23	400 x 173 x 15	6	8/8
24	300 x 100 x 15	6	5/8
25	300 x 100 x 15	6	5/8
26	336 x 87 x 15	6	2/8
27	349 x 306 x 3	6	4/8



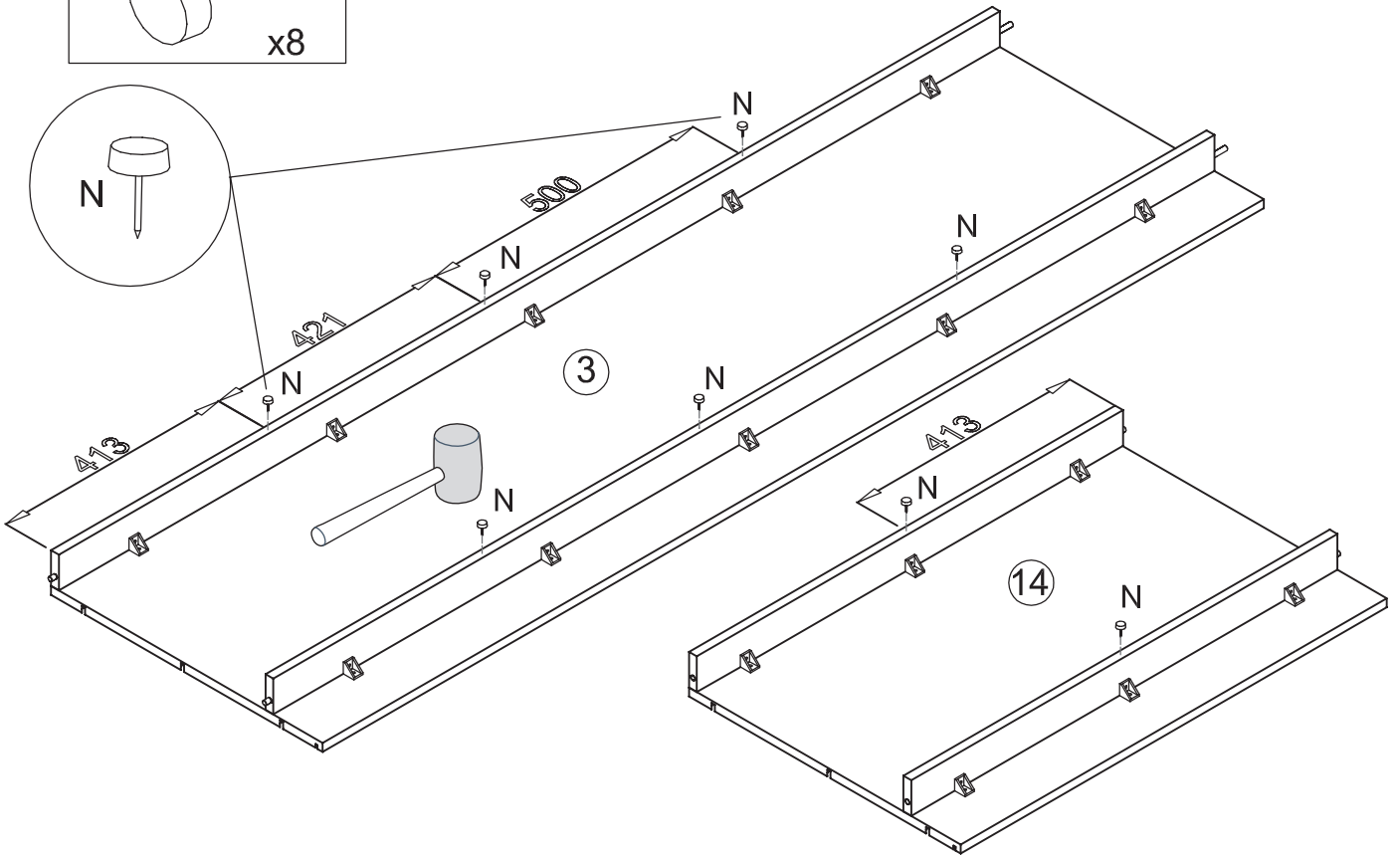
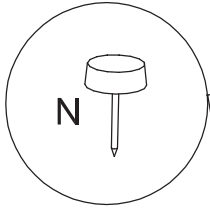
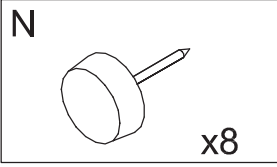
1



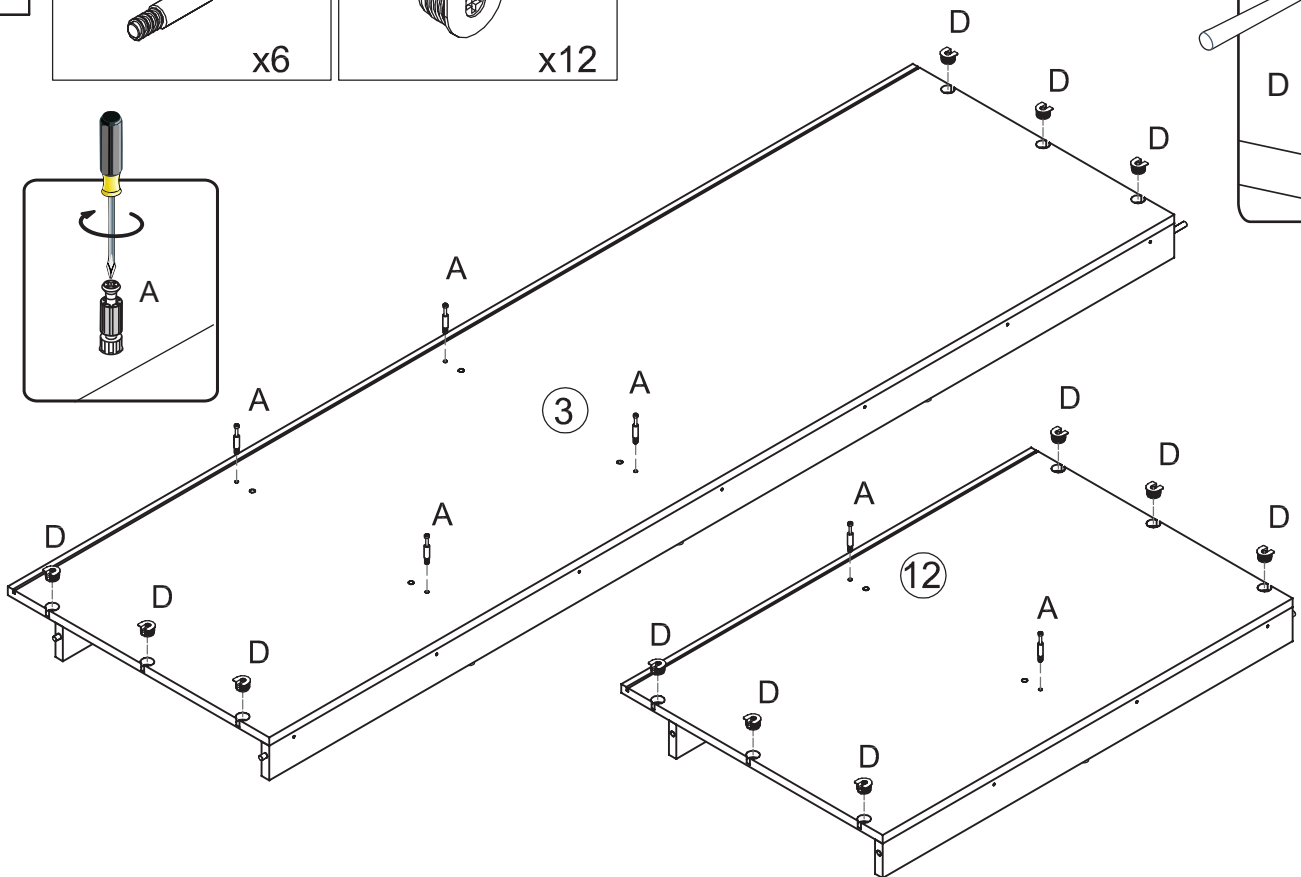
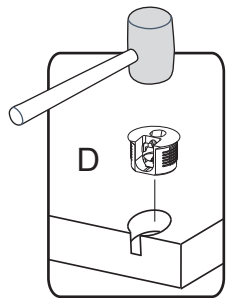
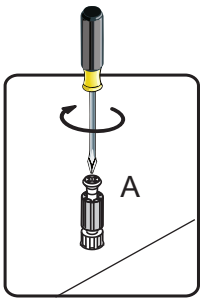
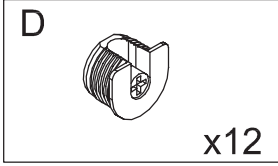
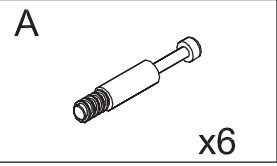
2



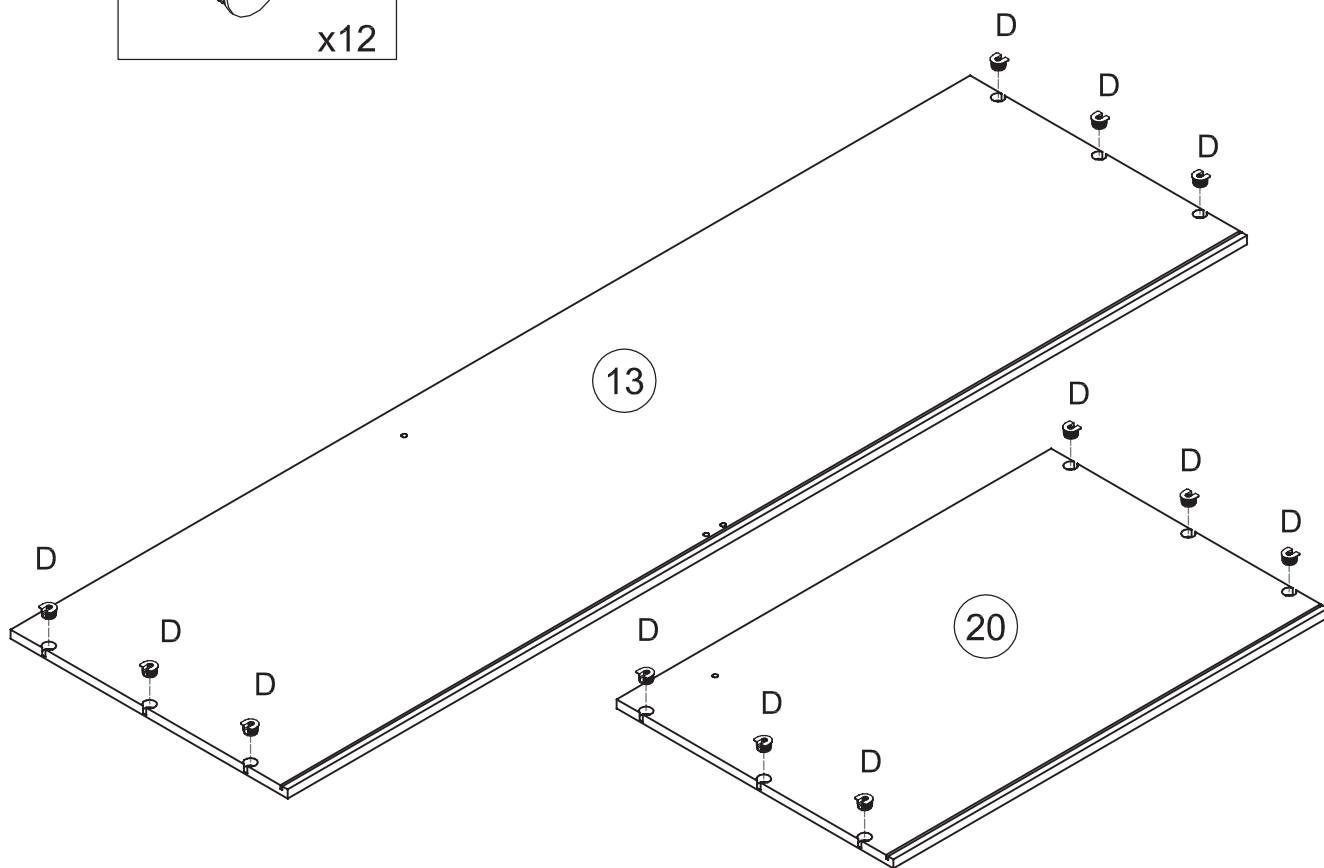
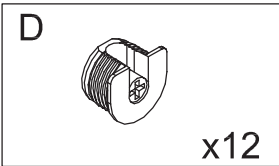
3



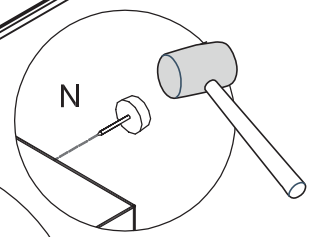
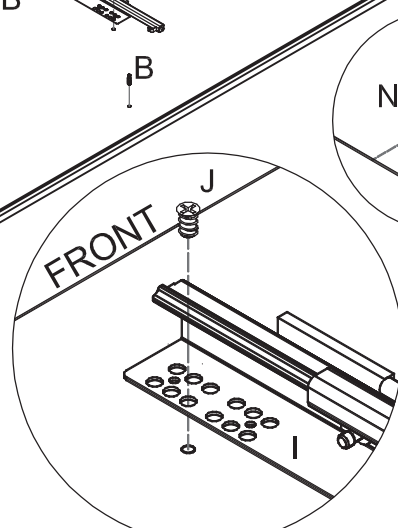
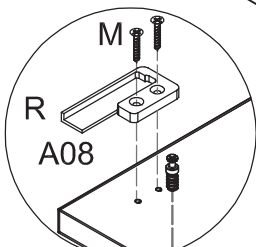
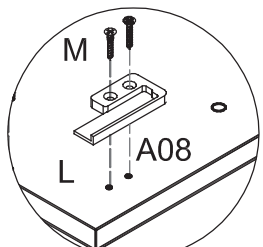
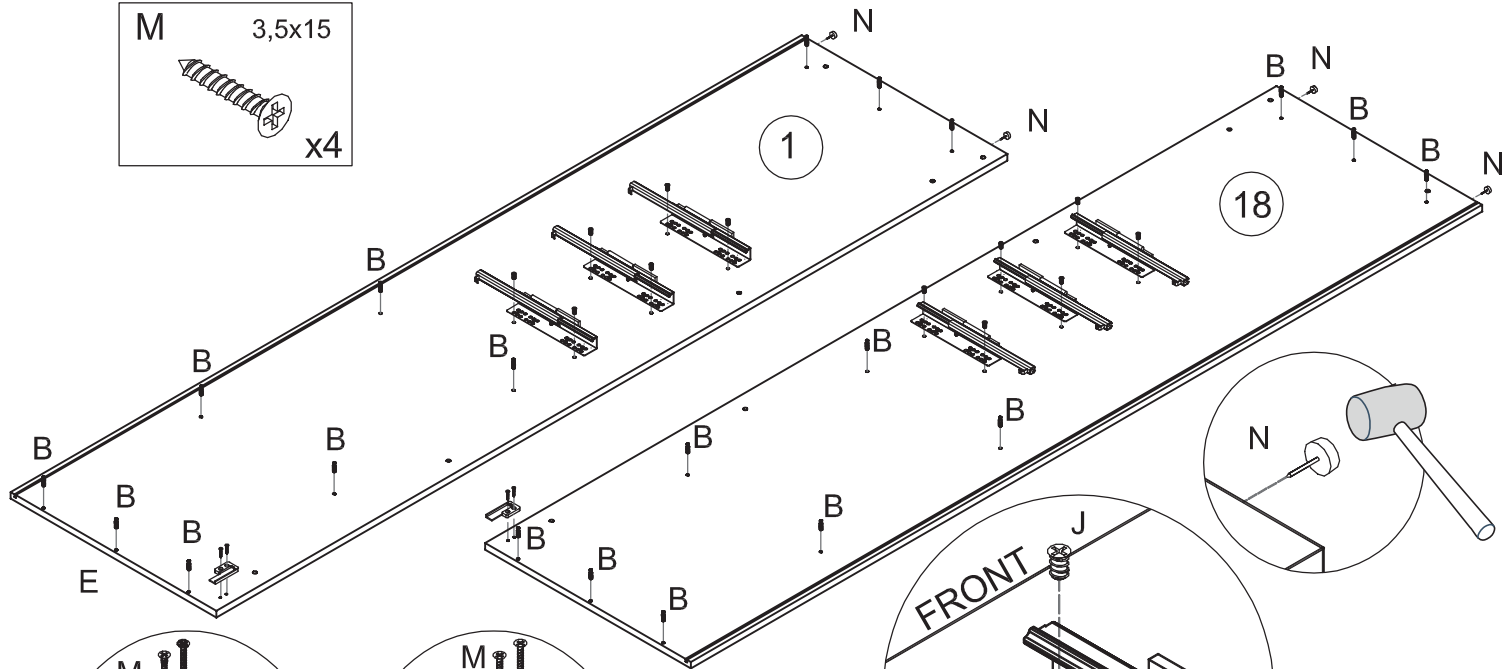
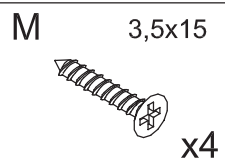
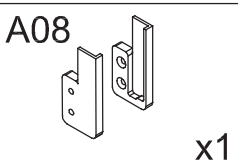
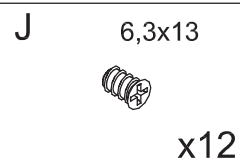
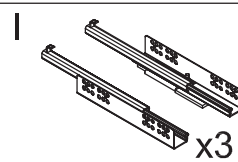
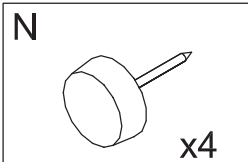
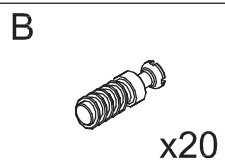
4



5

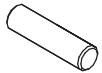


6



7

E Ø8x30



x4

B



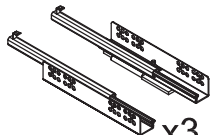
x2

C



x4

I



x3

J 6,3x13



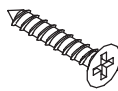
x6

K

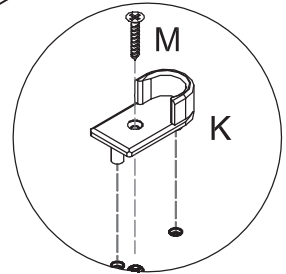
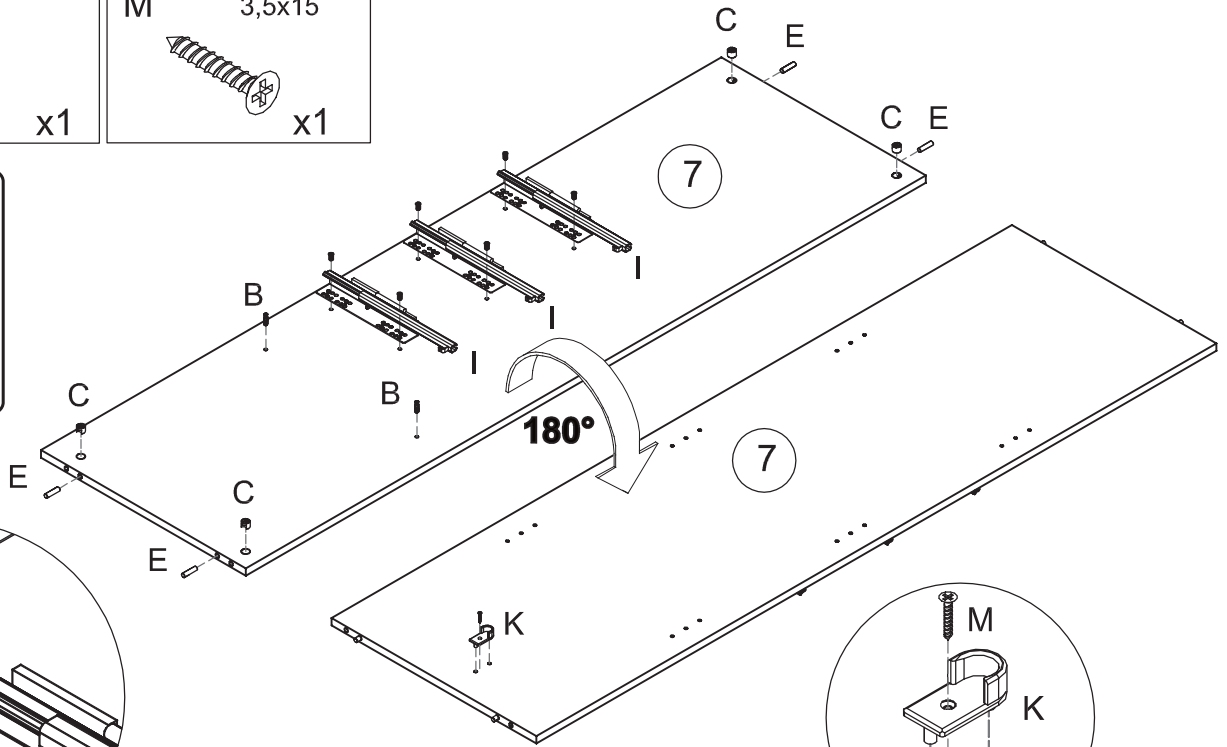
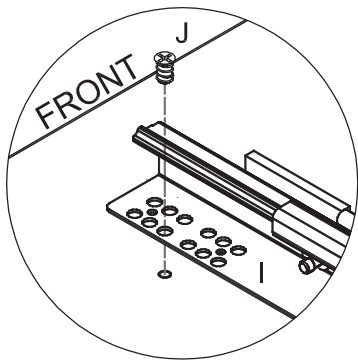
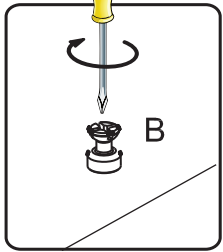


x1

M 3,5x15

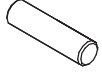


x1



8

E Ø8x30



x4

B



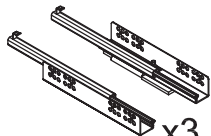
x2

C



x4

I



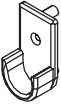
x3

J 6,3x13



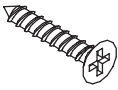
x6

K

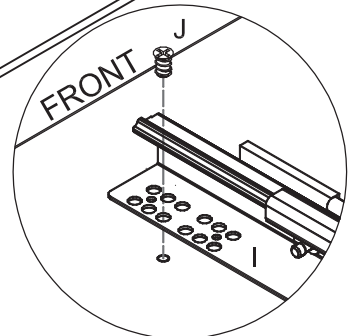
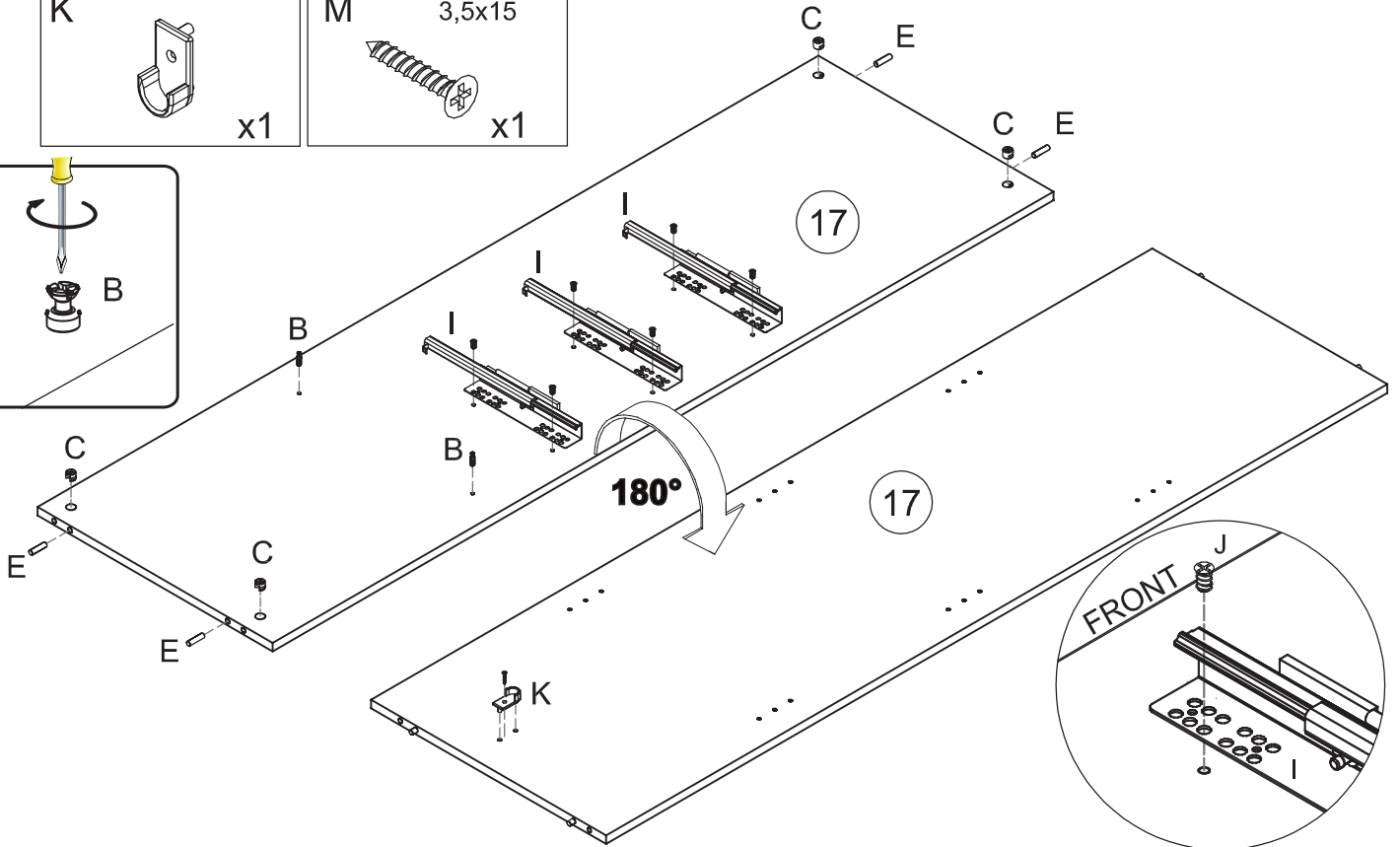
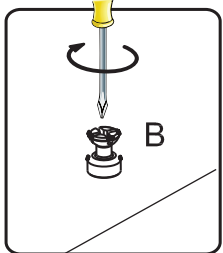


x1

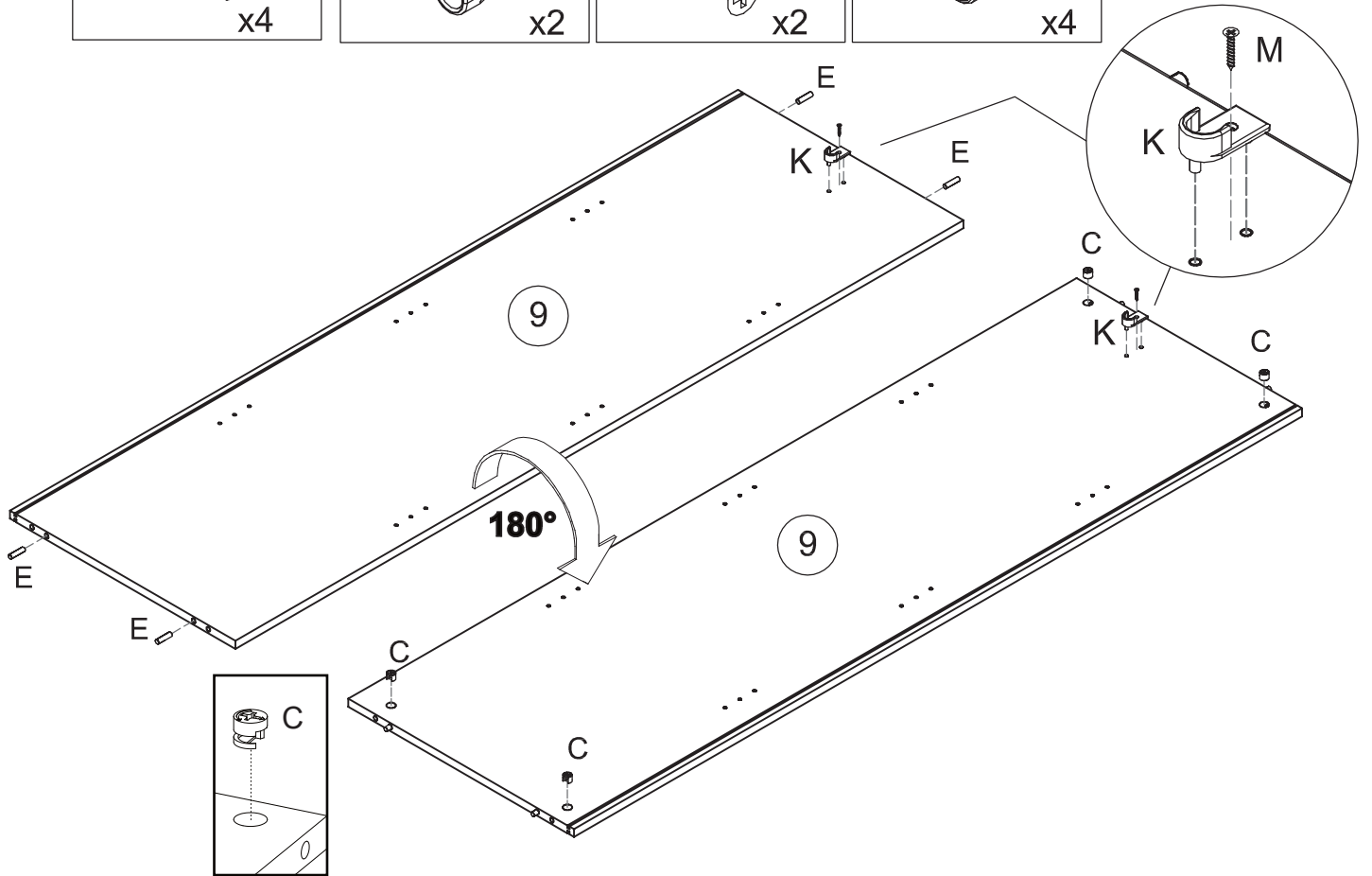
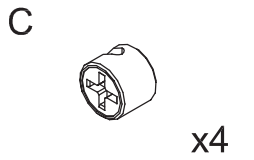
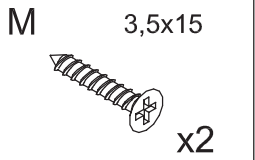
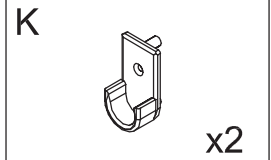
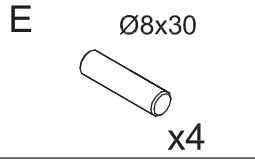
M 3,5x15



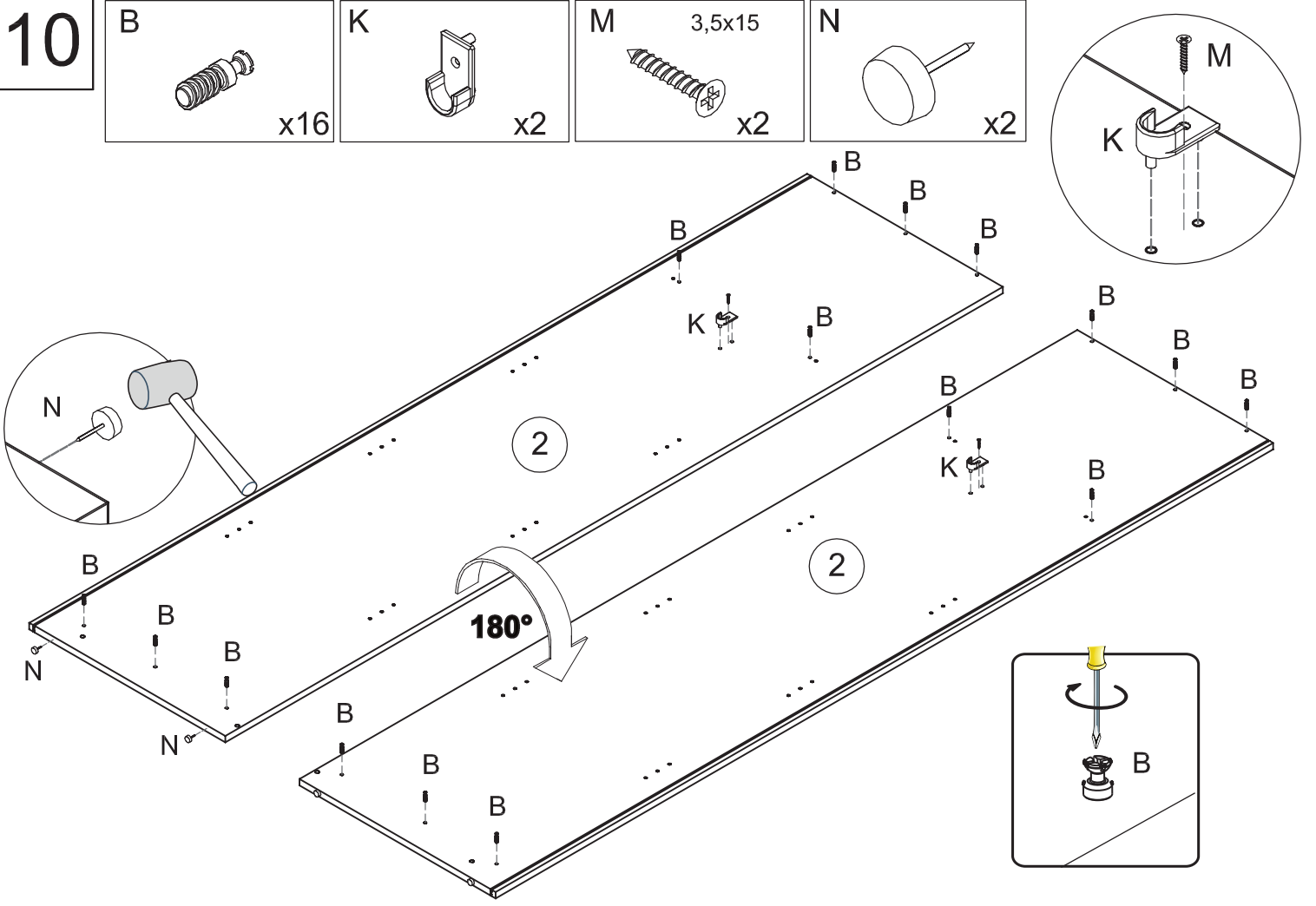
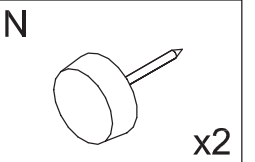
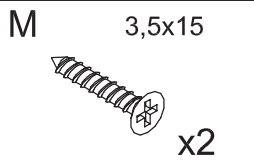
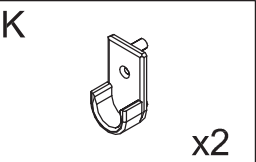
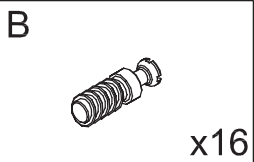
x1



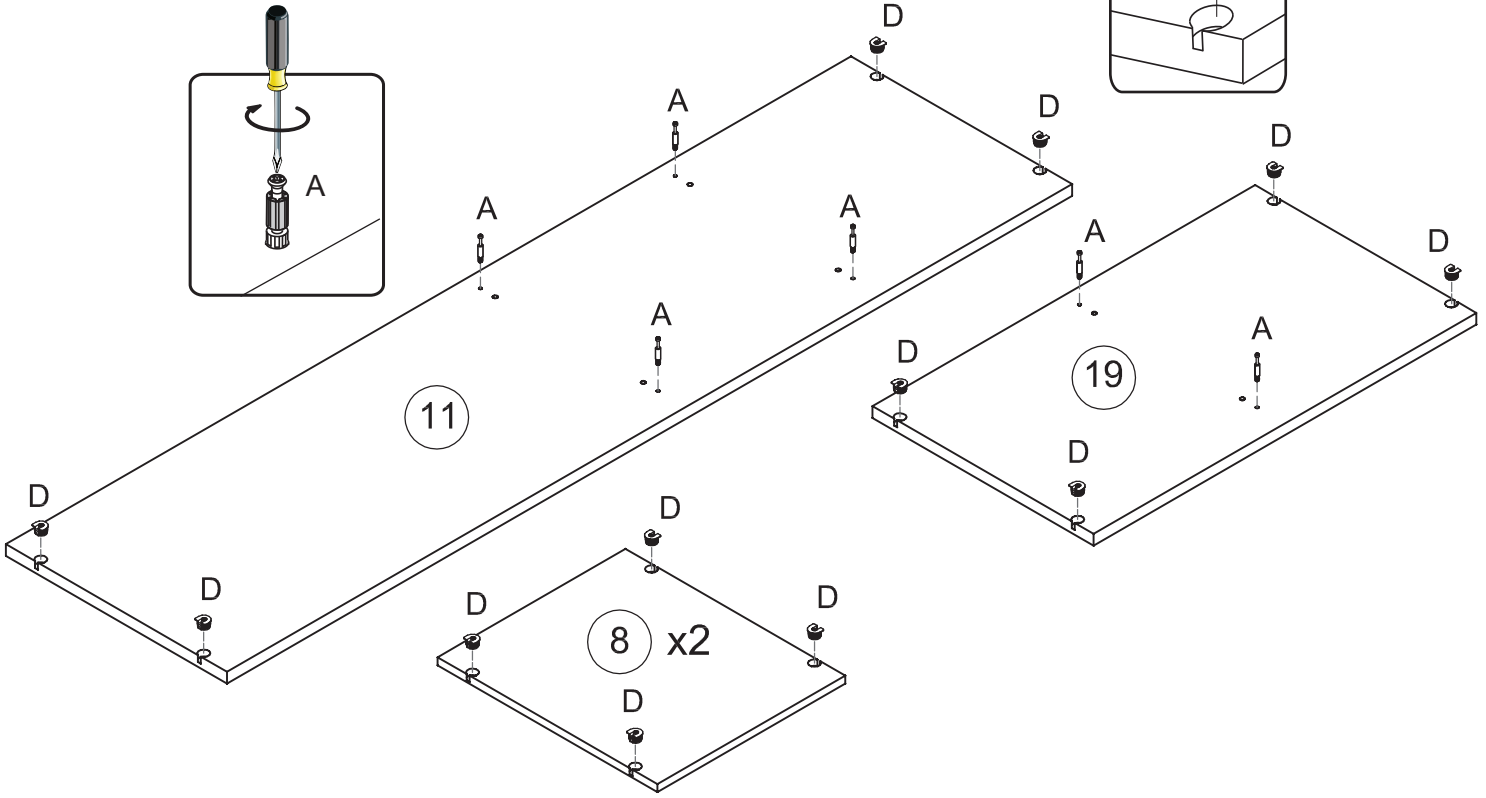
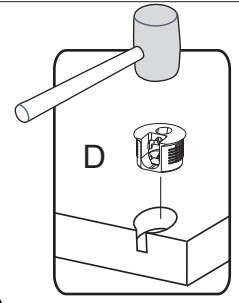
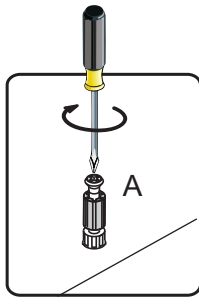
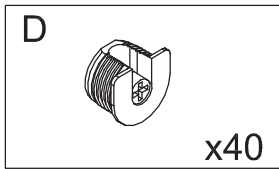
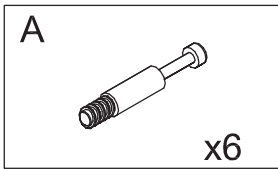
9



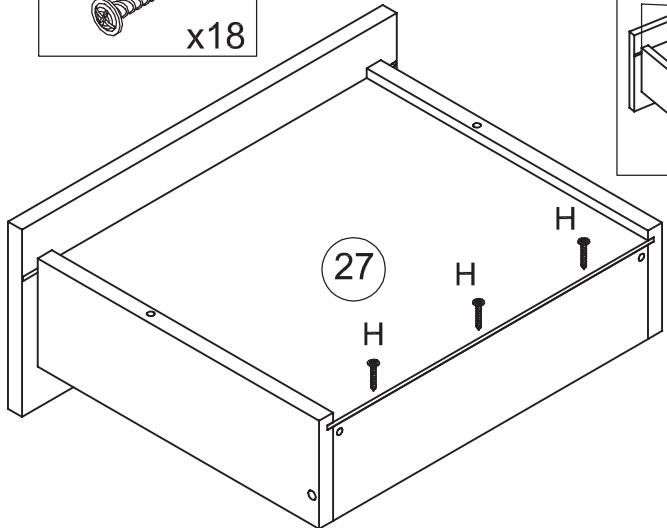
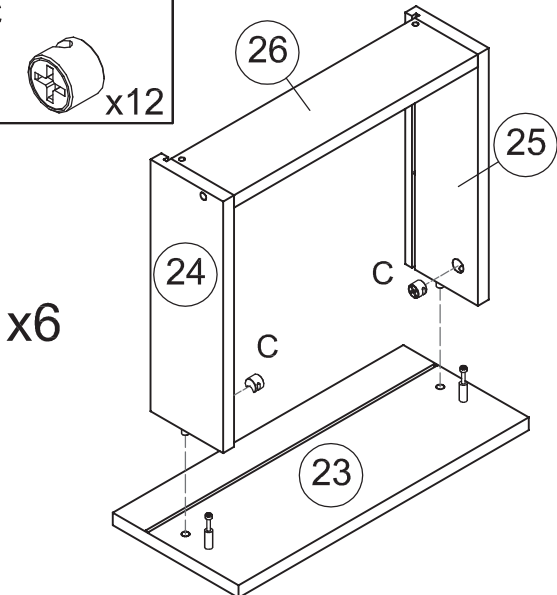
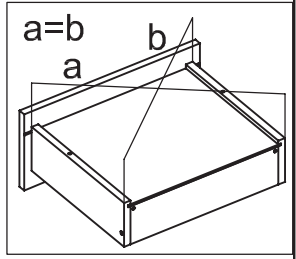
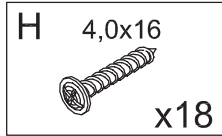
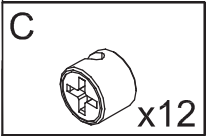
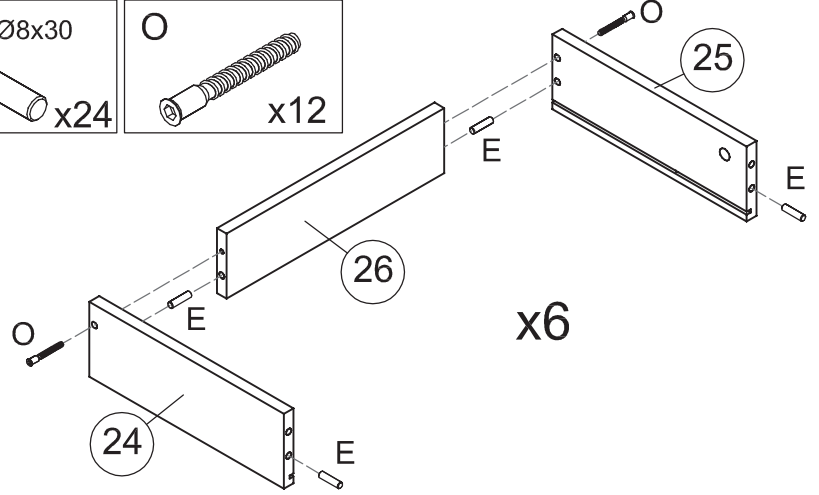
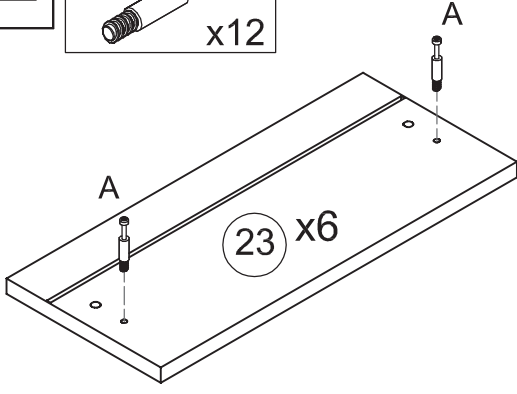
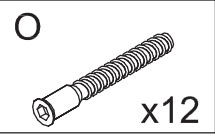
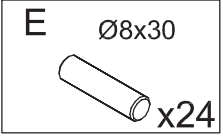
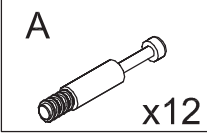
10



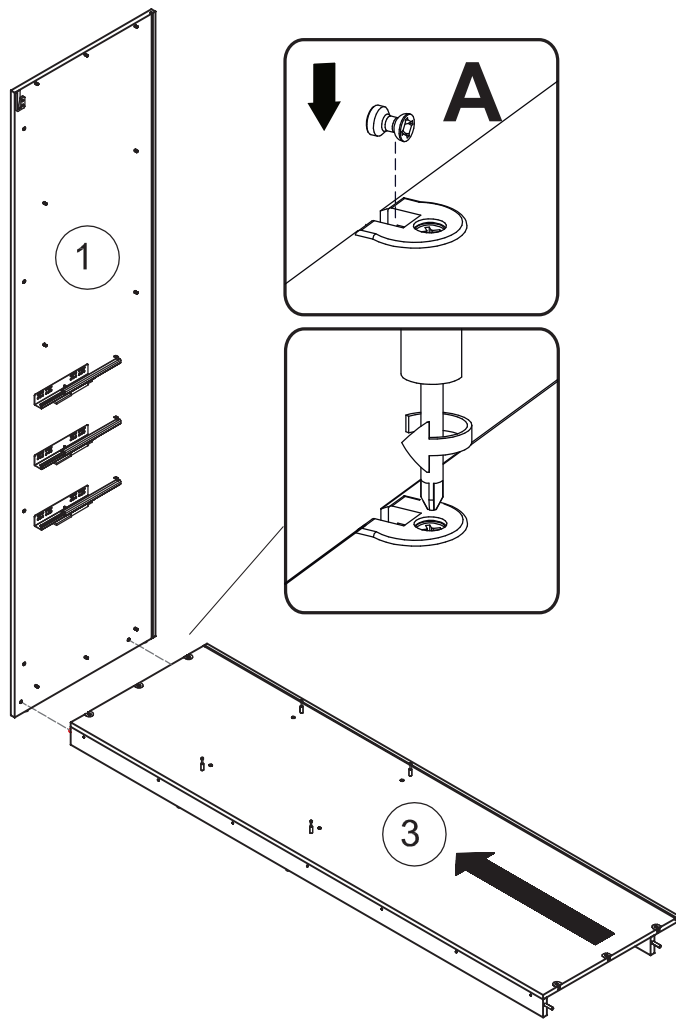
11



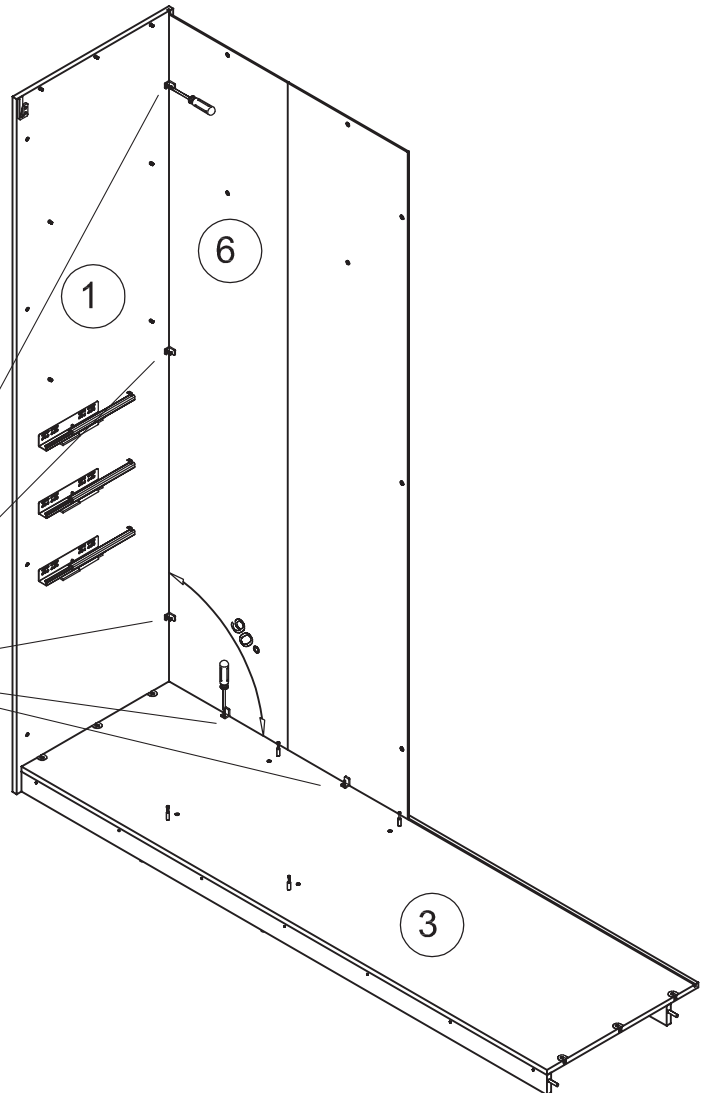
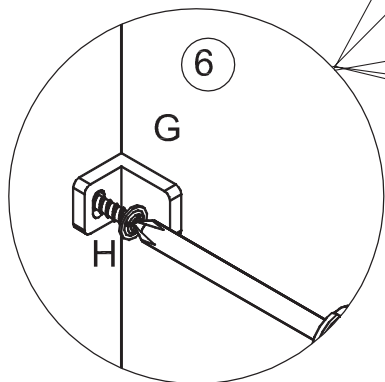
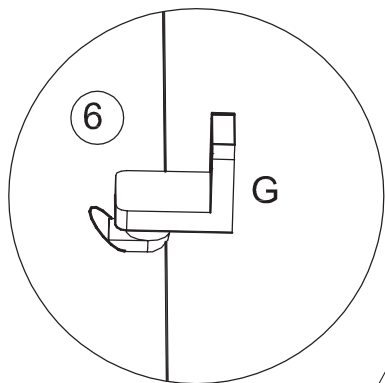
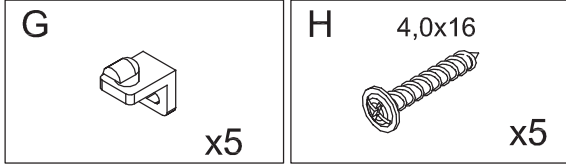
12



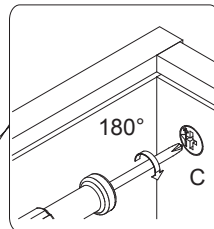
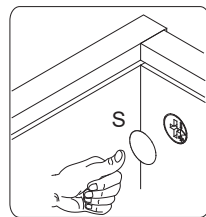
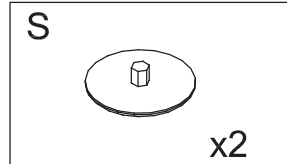
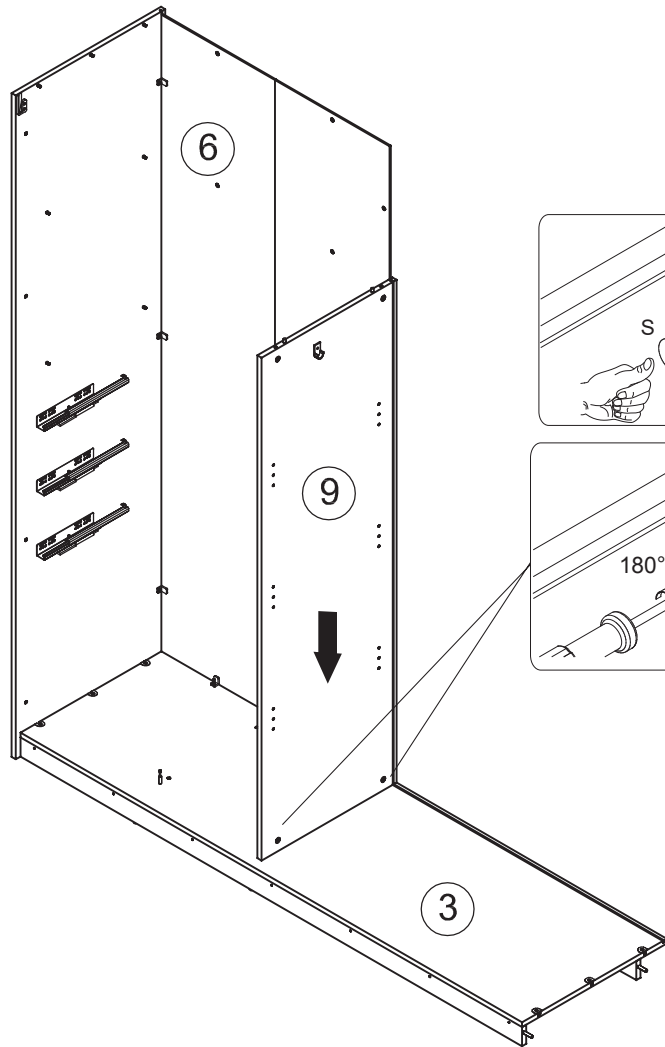
13



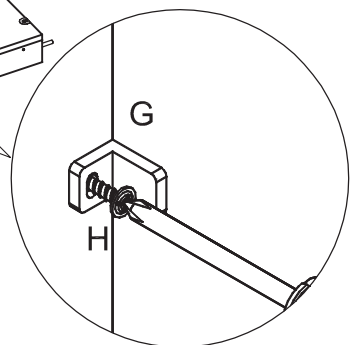
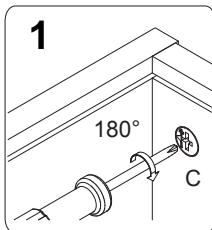
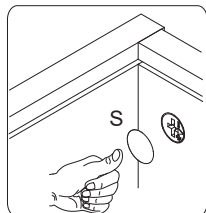
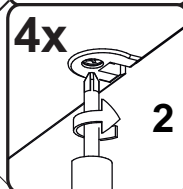
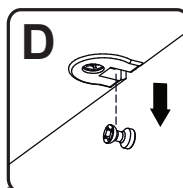
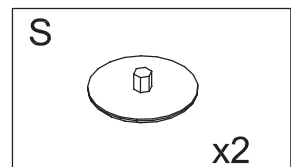
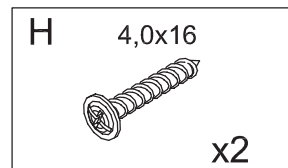
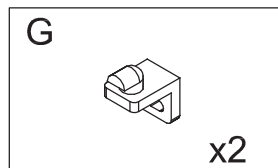
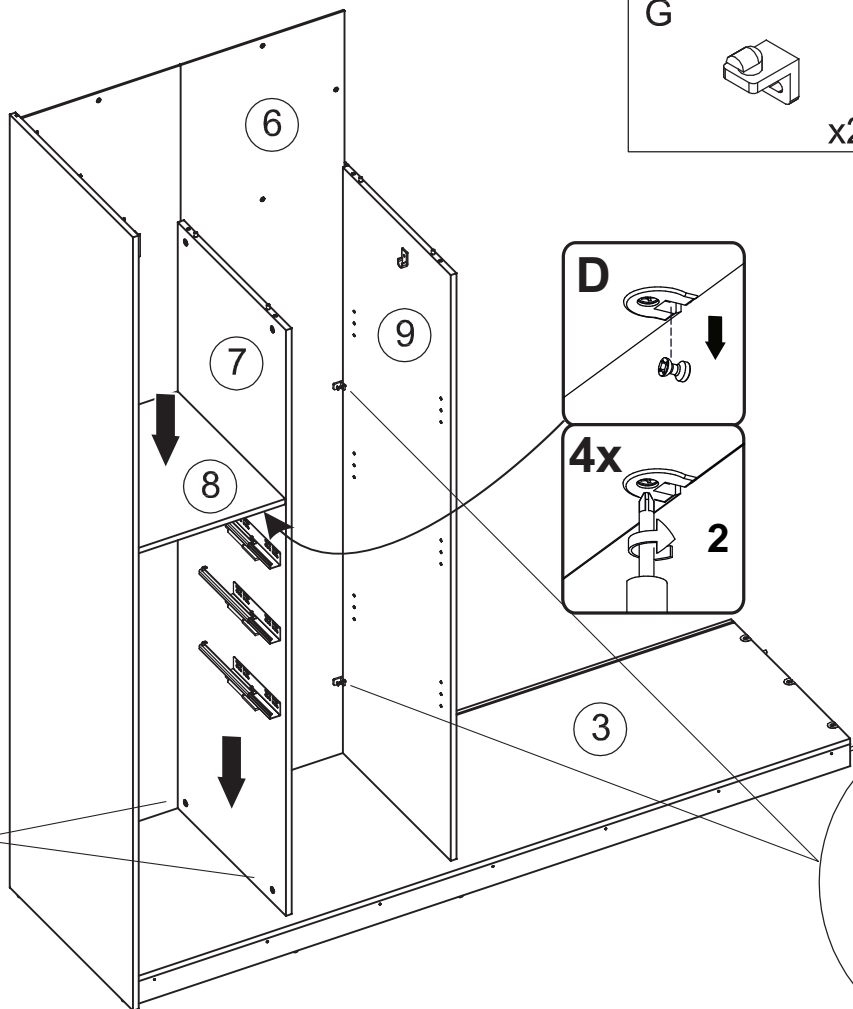
14



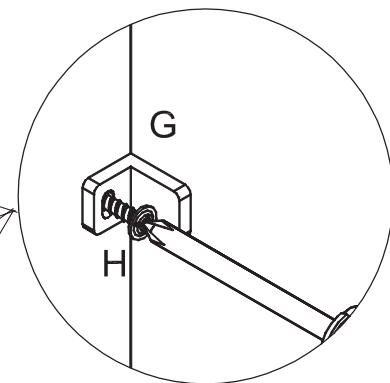
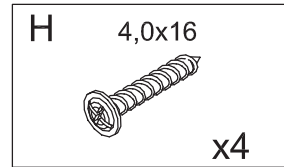
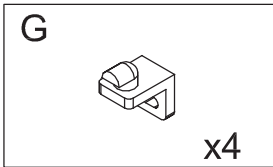
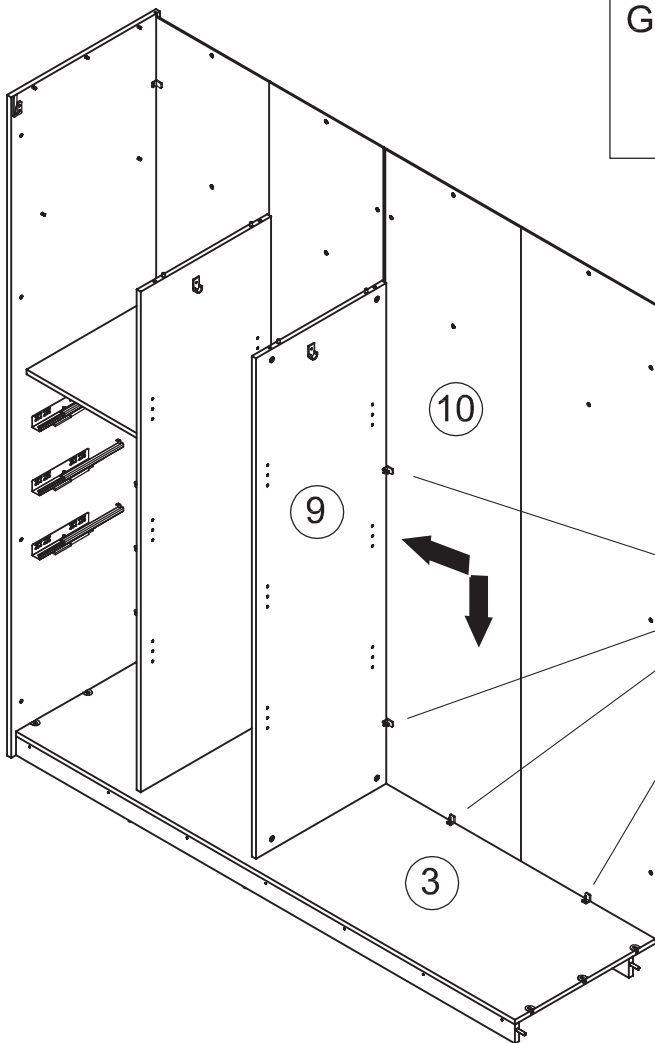
15



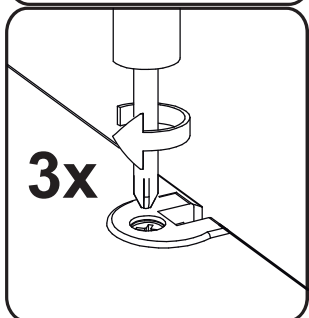
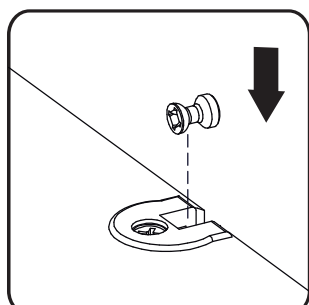
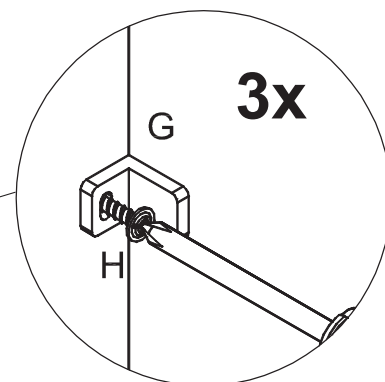
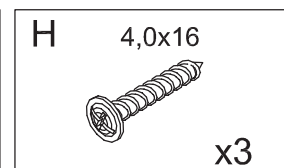
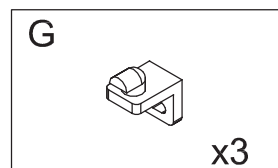
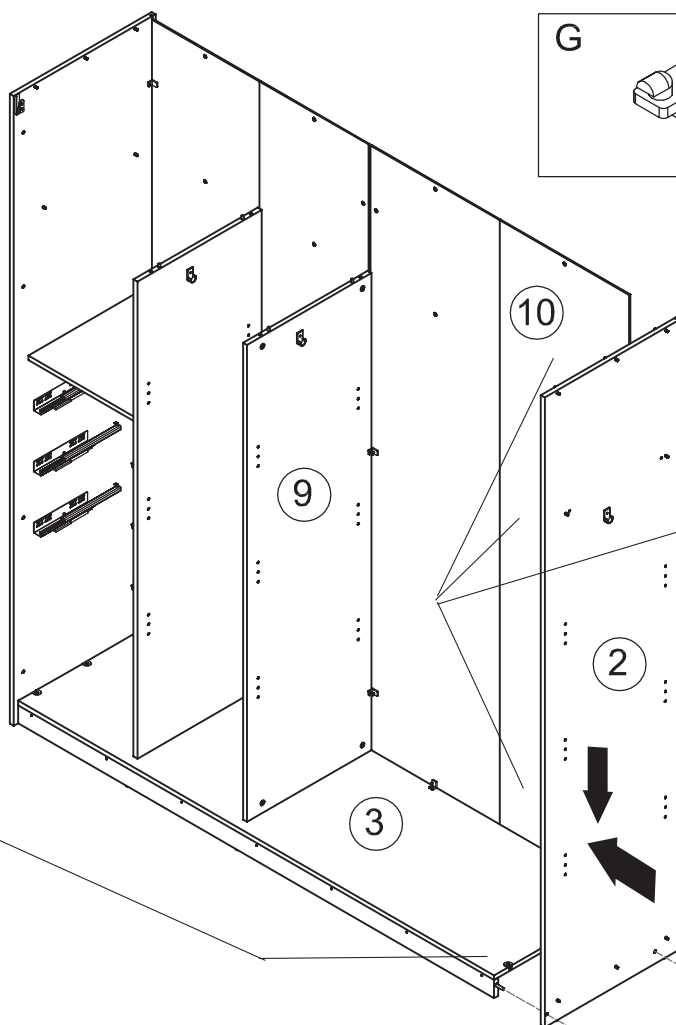
16



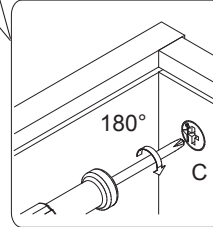
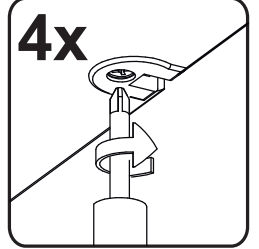
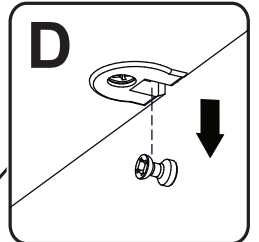
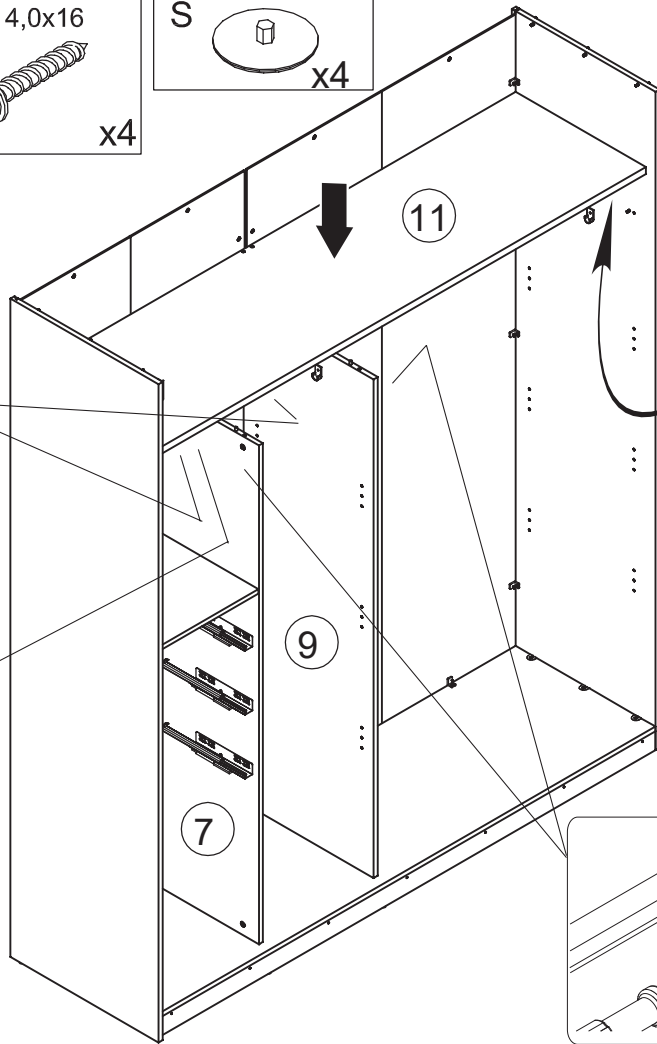
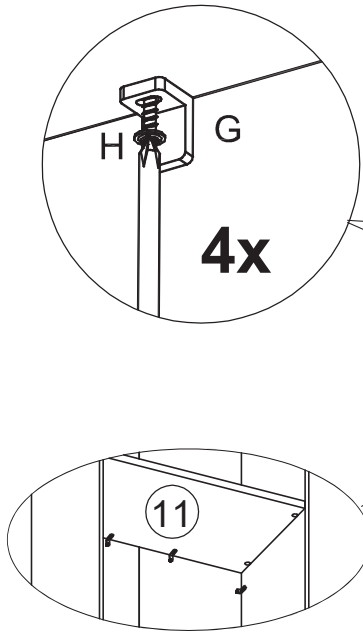
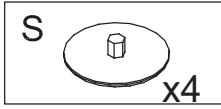
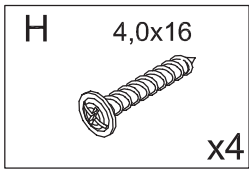
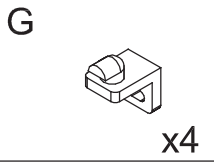
16



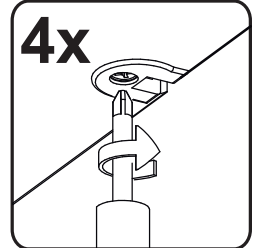
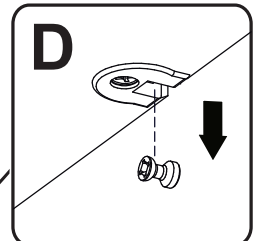
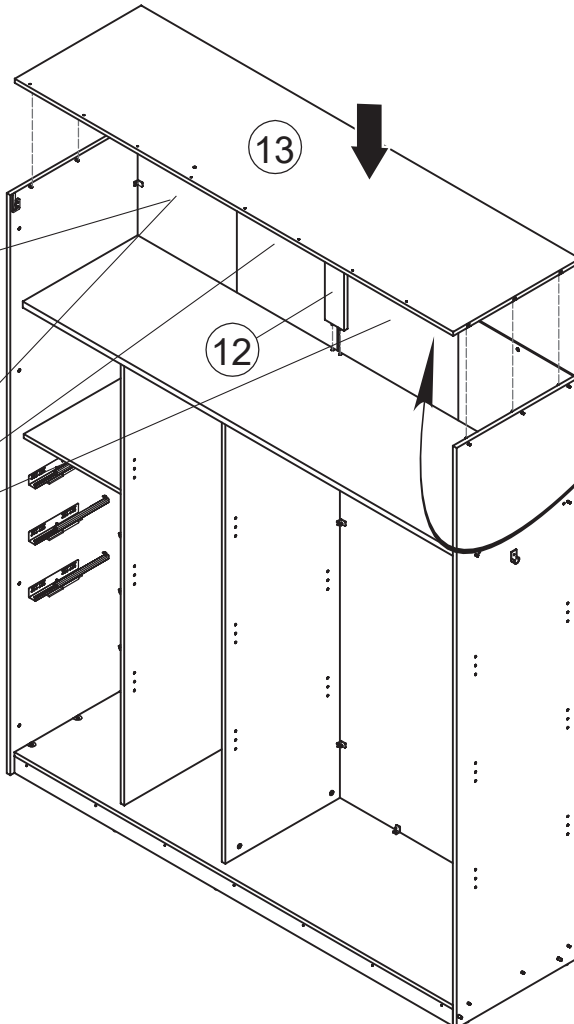
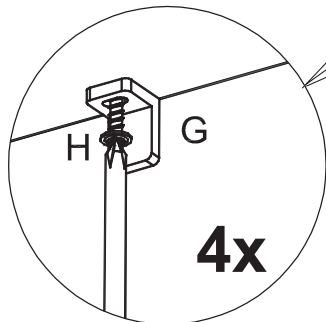
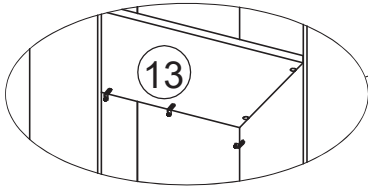
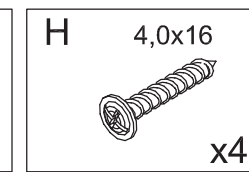
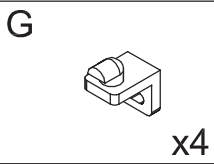
17



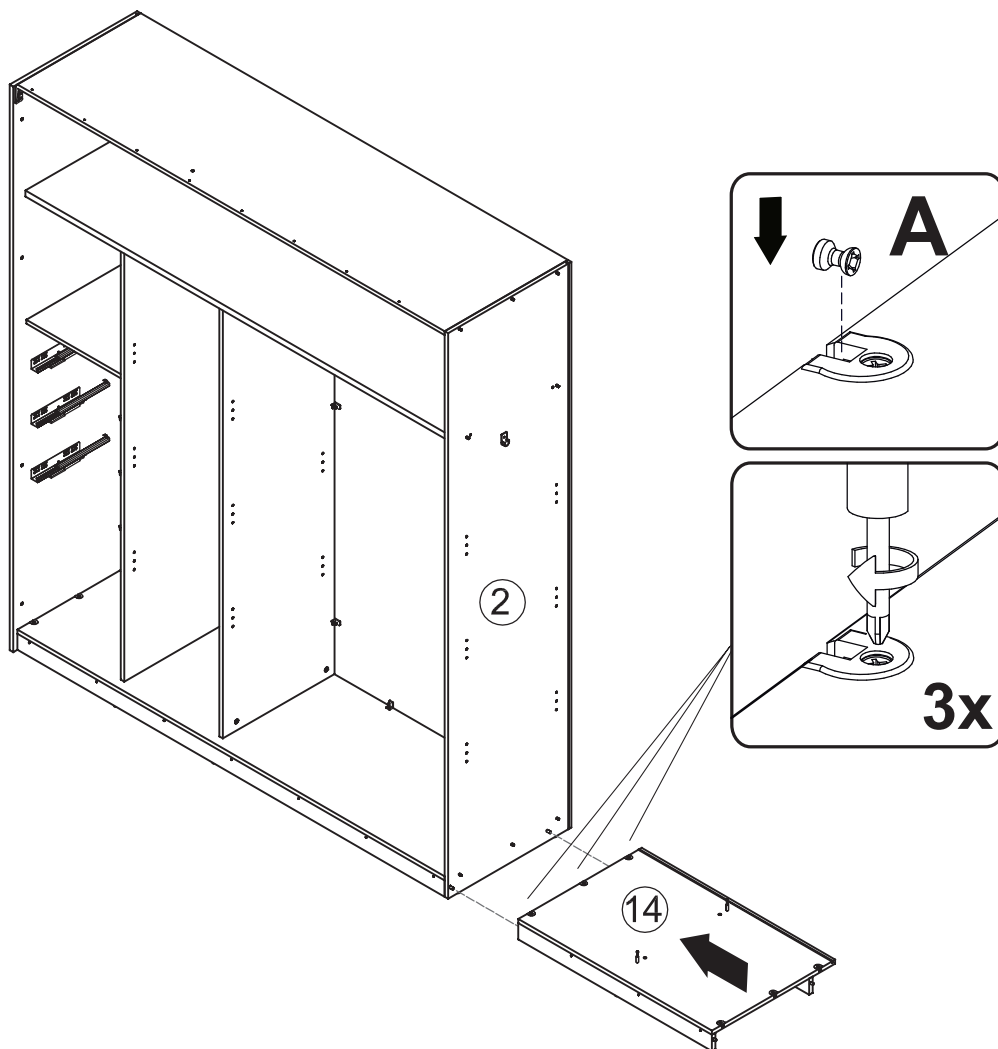
18



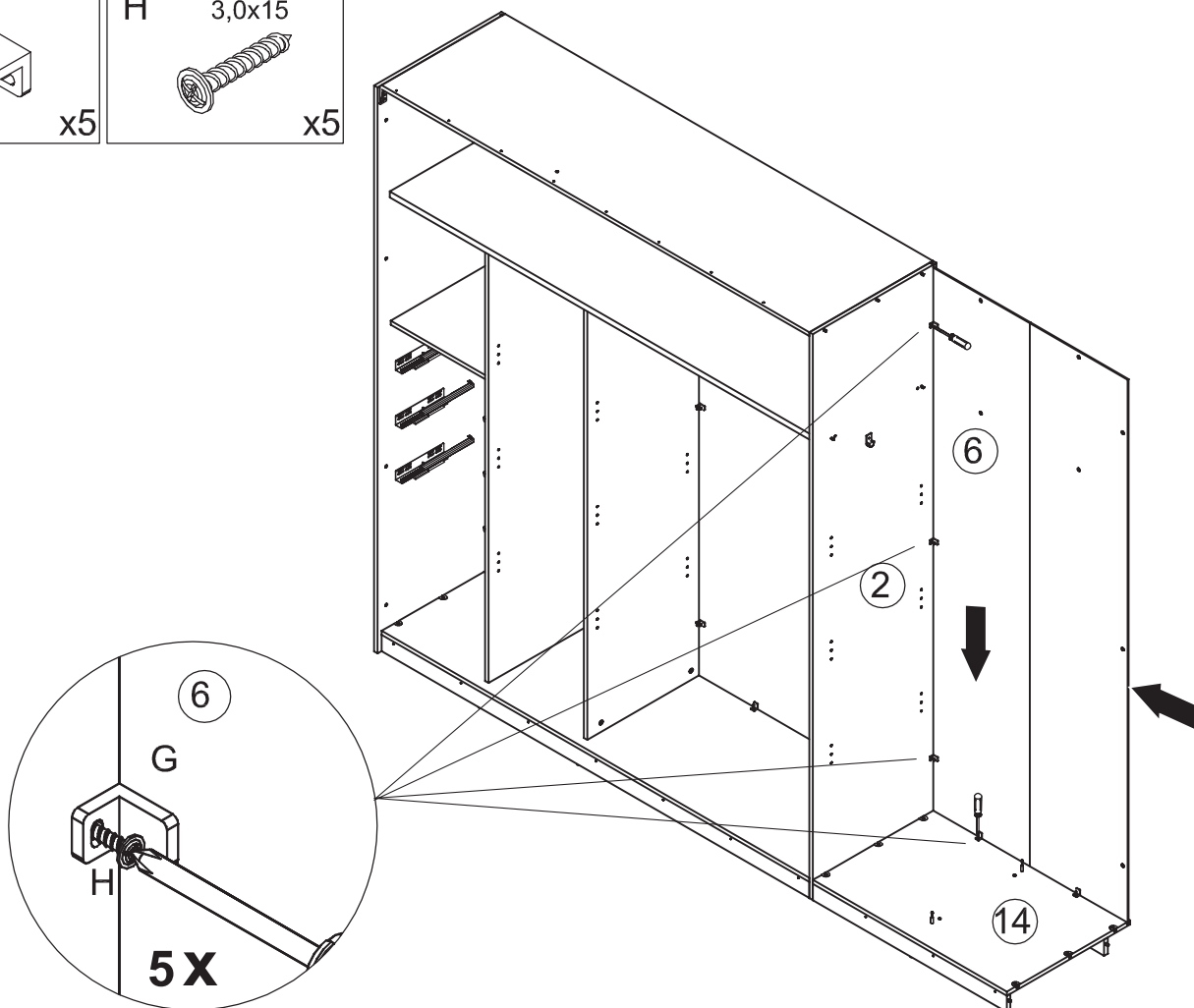
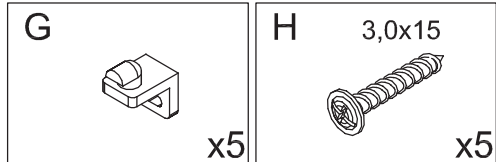
19



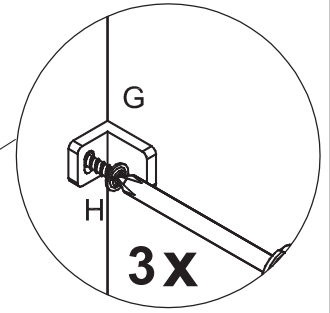
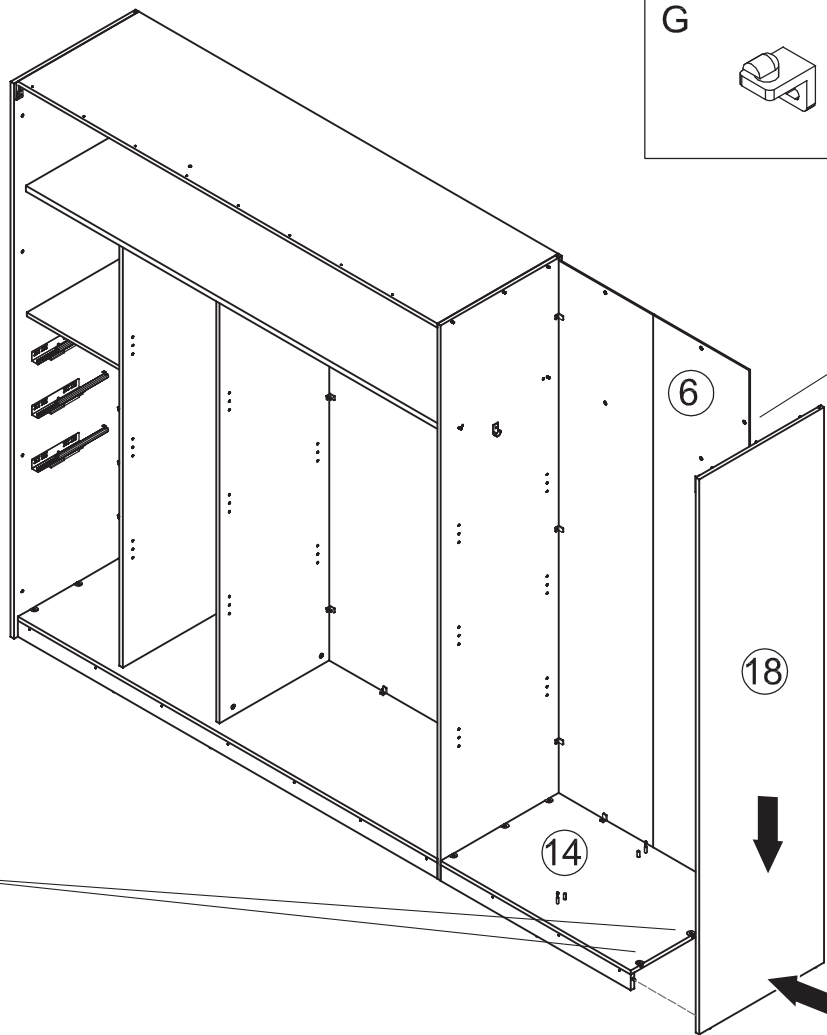
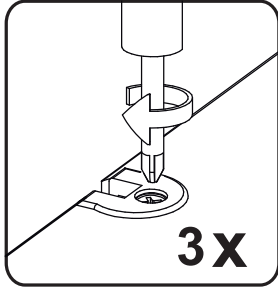
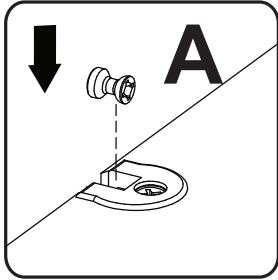
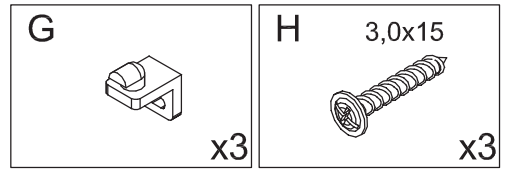
20



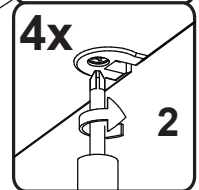
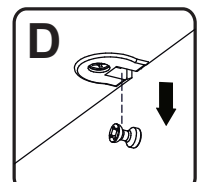
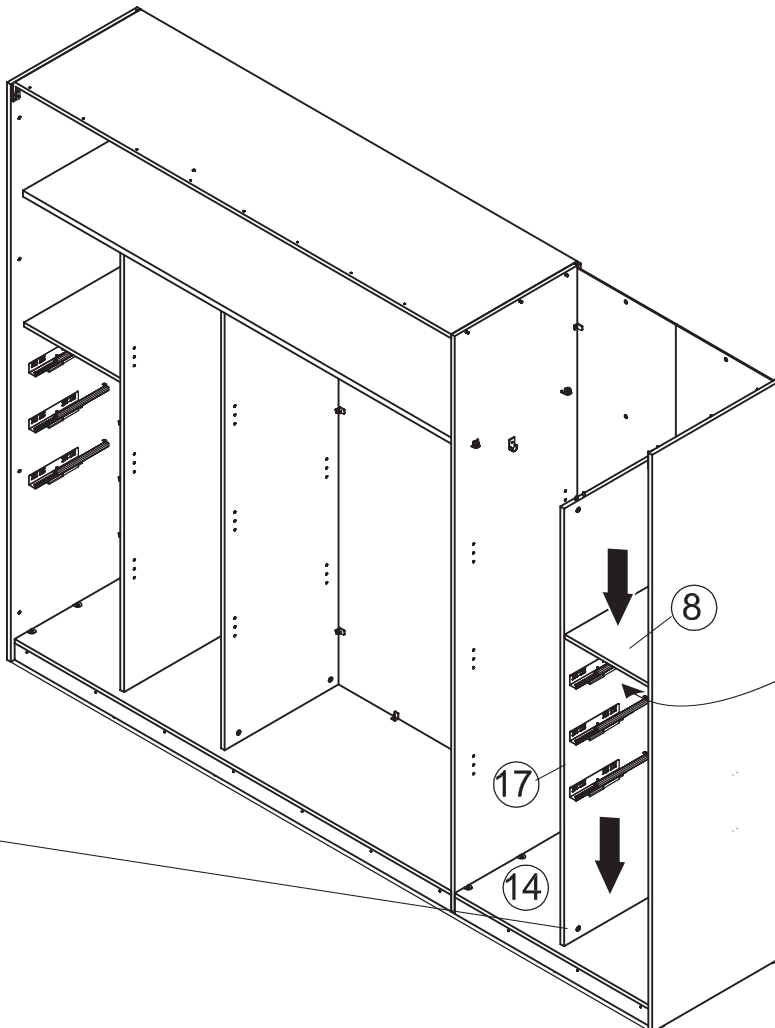
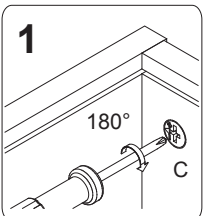
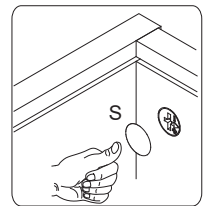
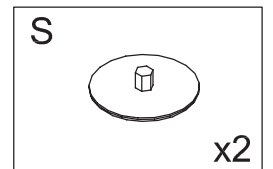
21



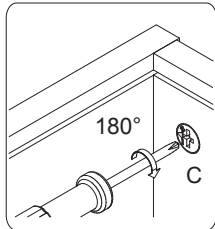
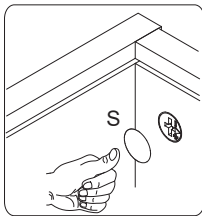
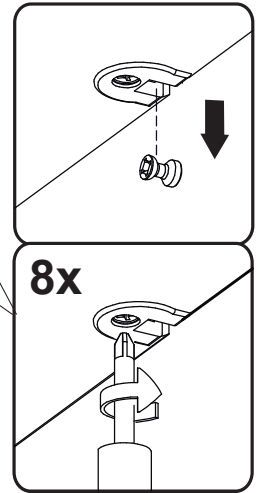
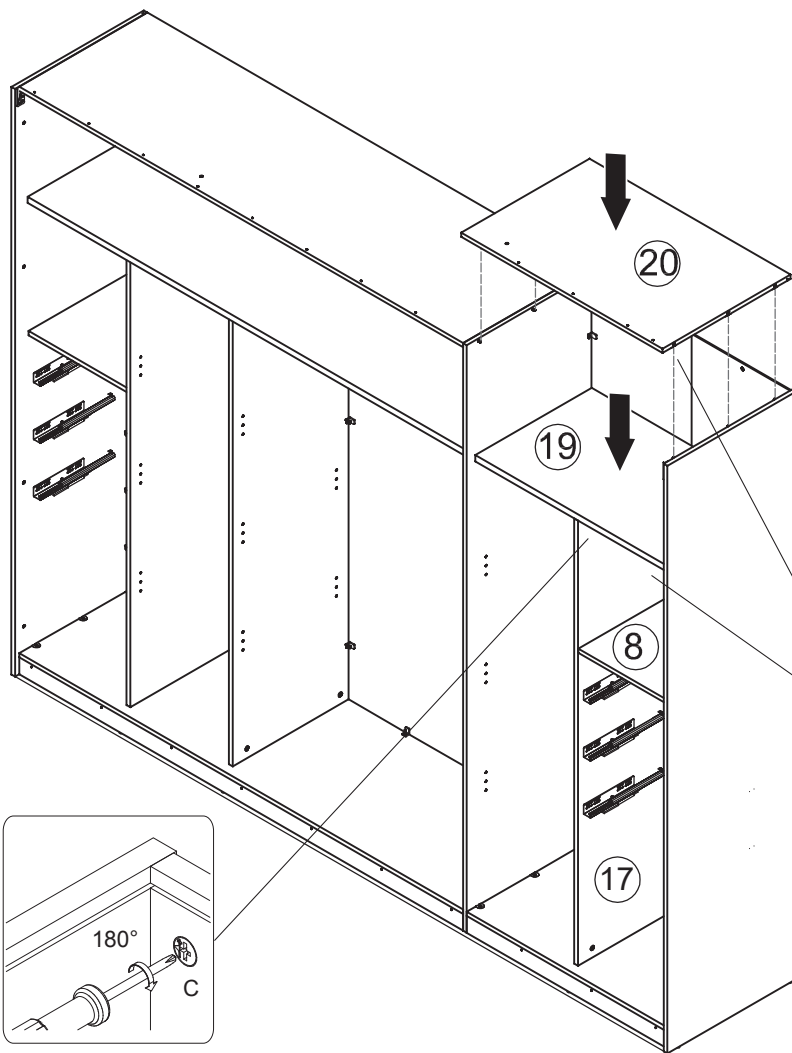
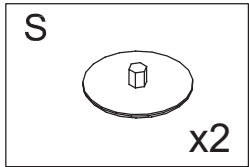
22



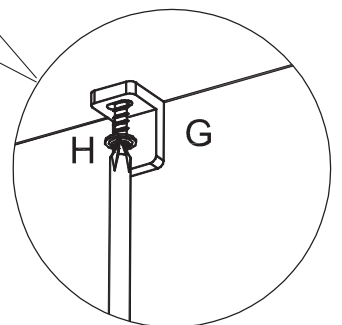
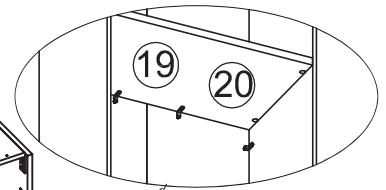
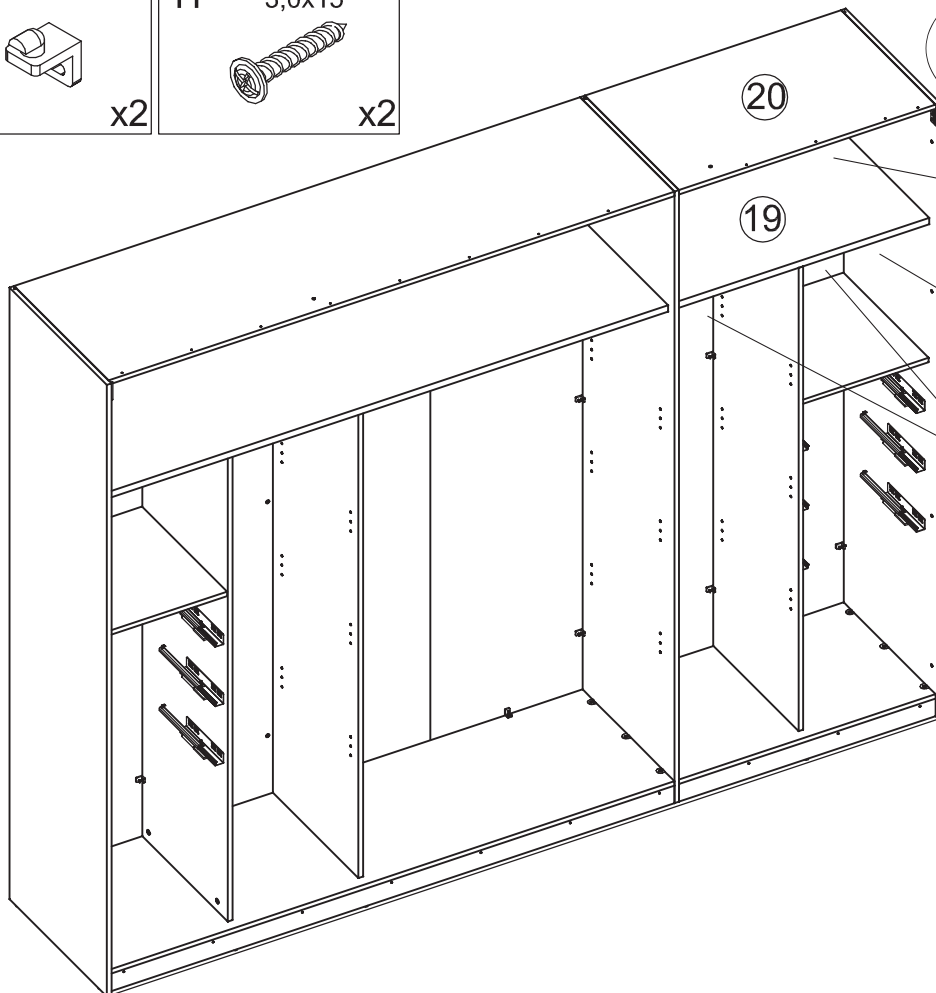
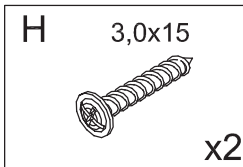
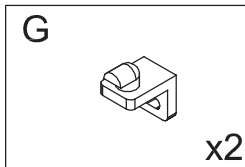
23

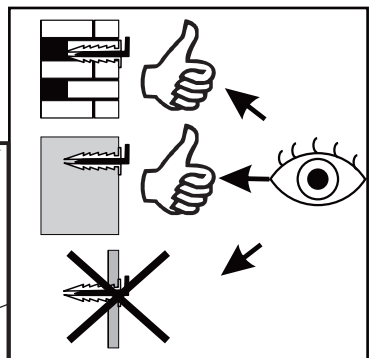
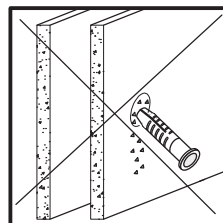
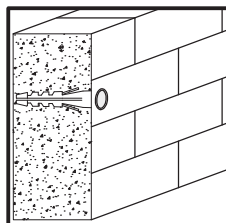
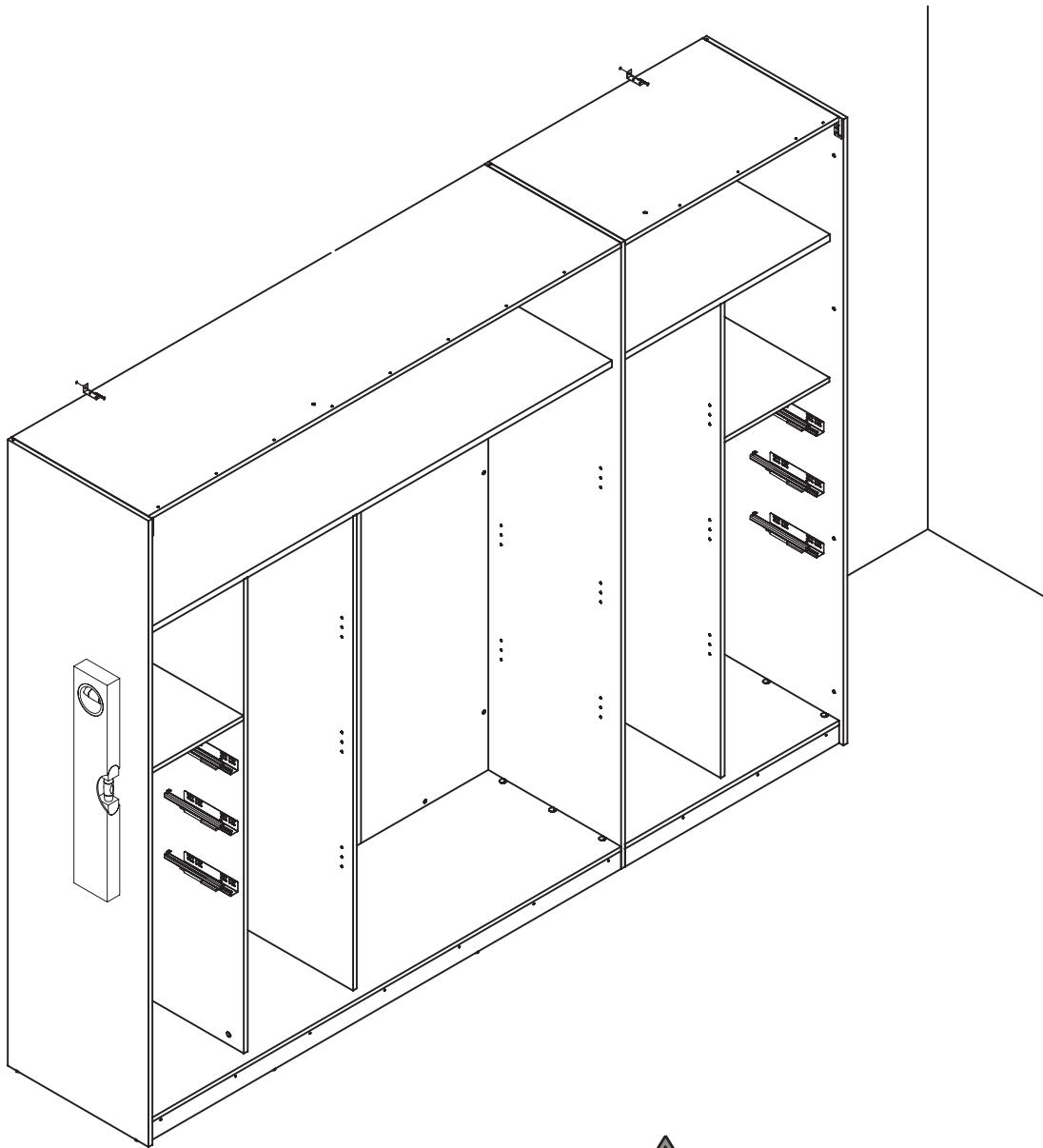
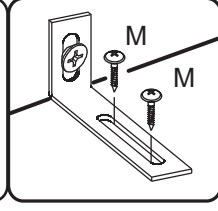
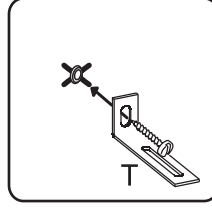
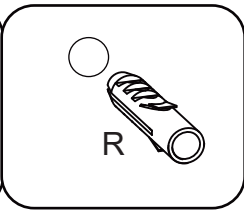
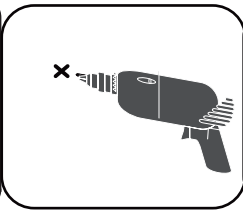
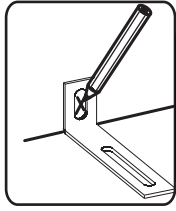
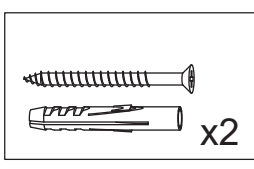
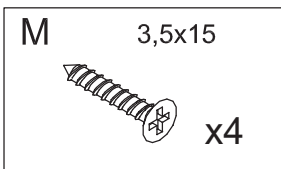
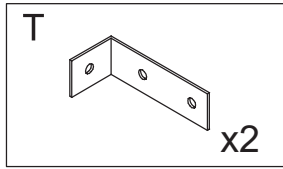


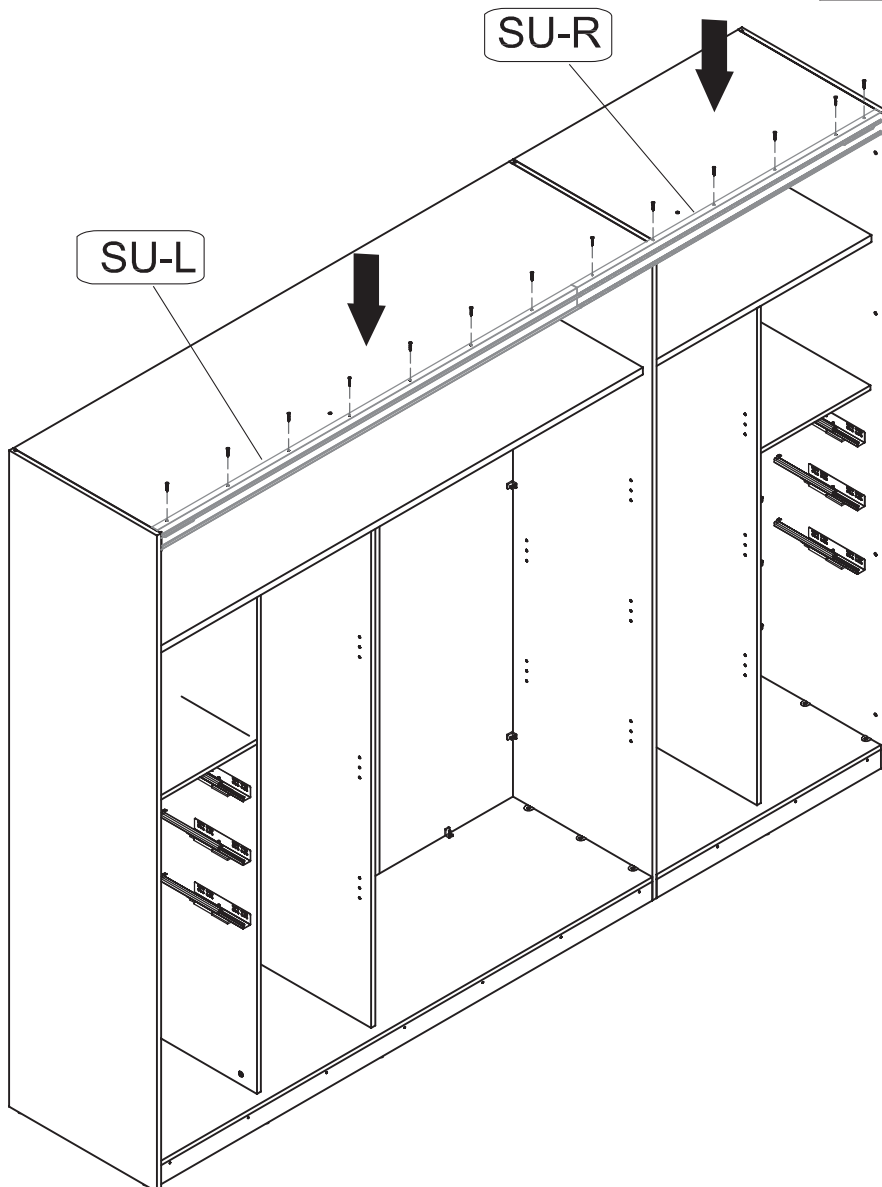
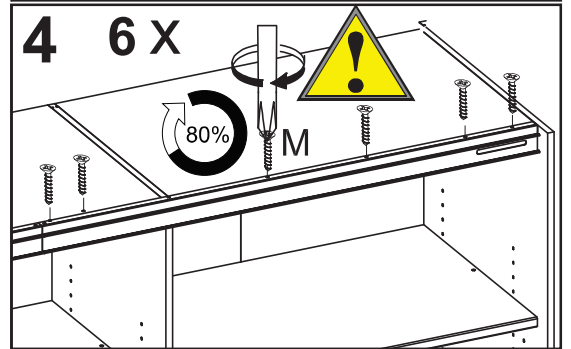
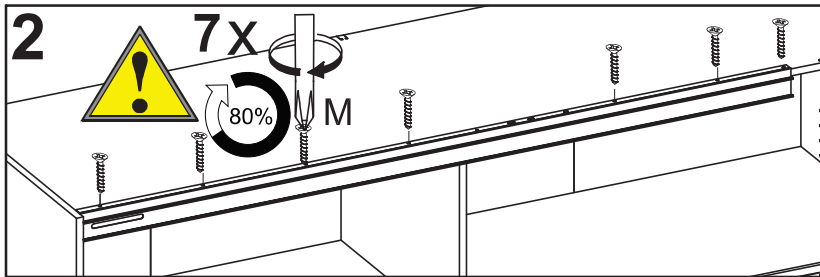
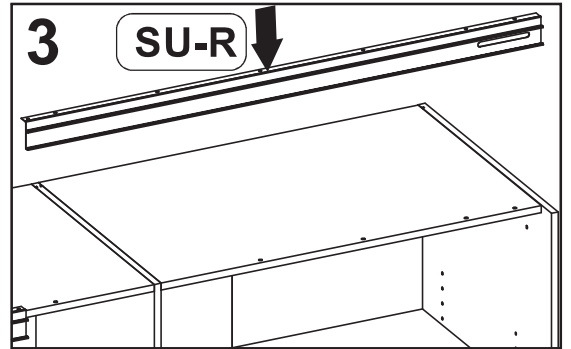
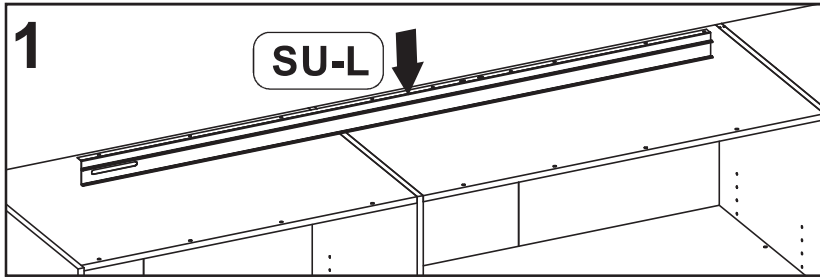
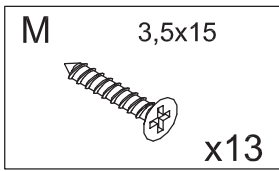
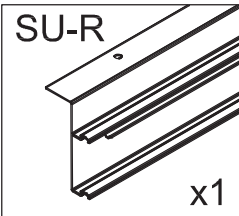
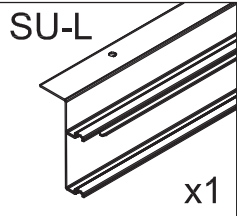
24

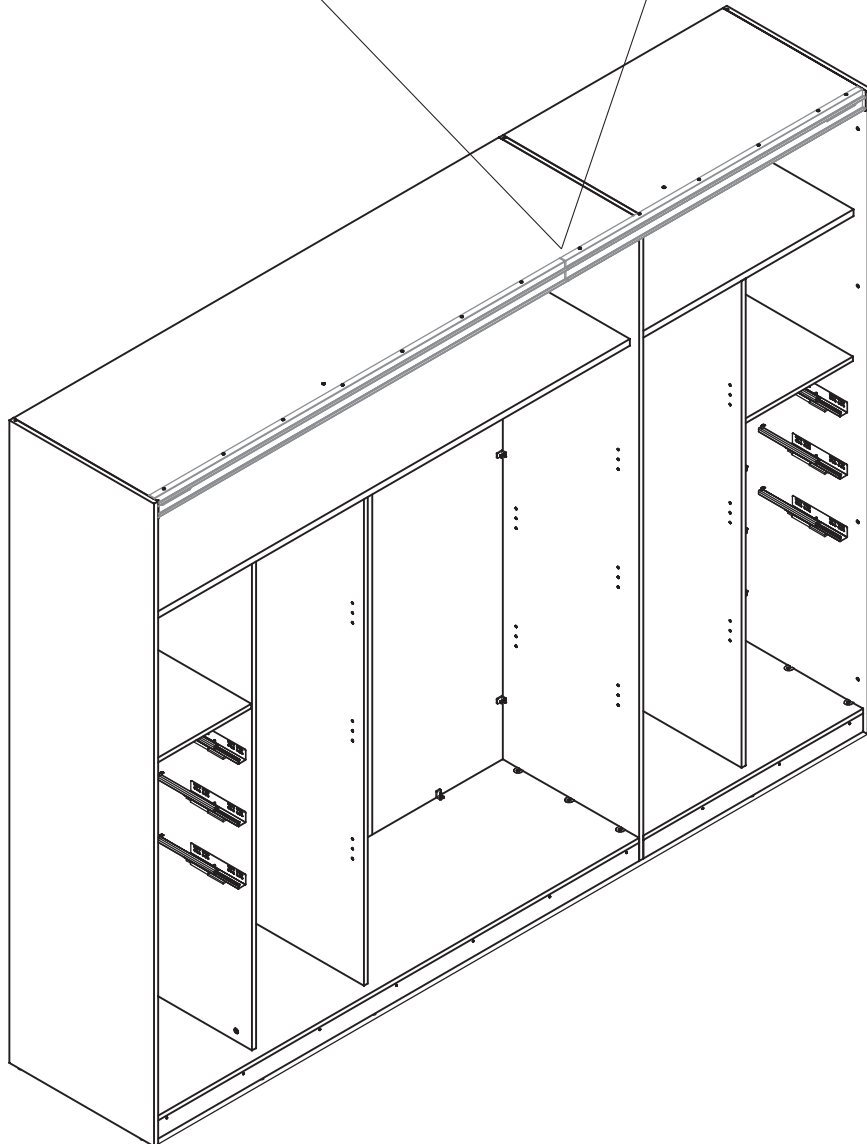
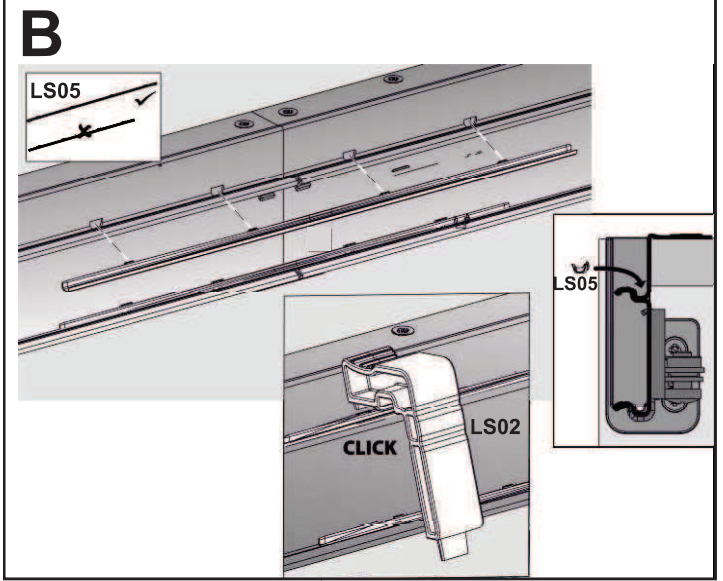
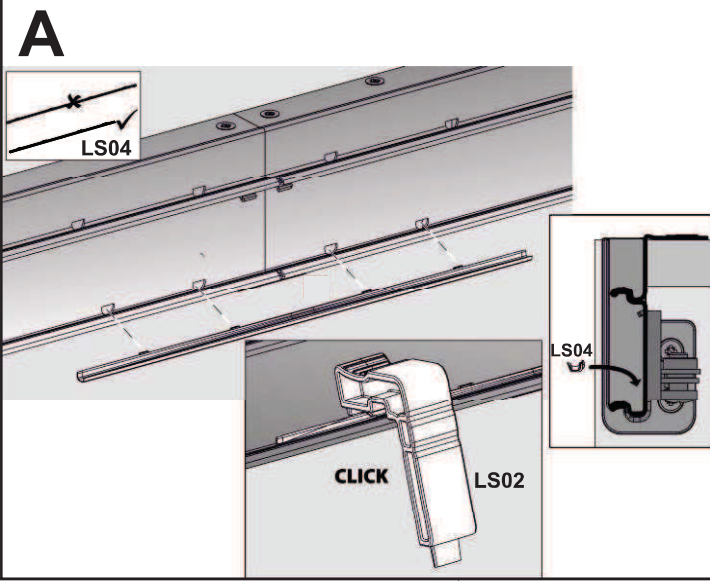
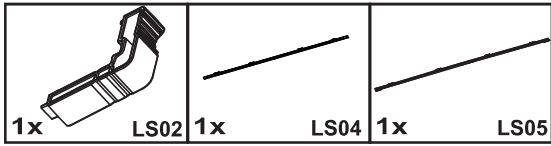


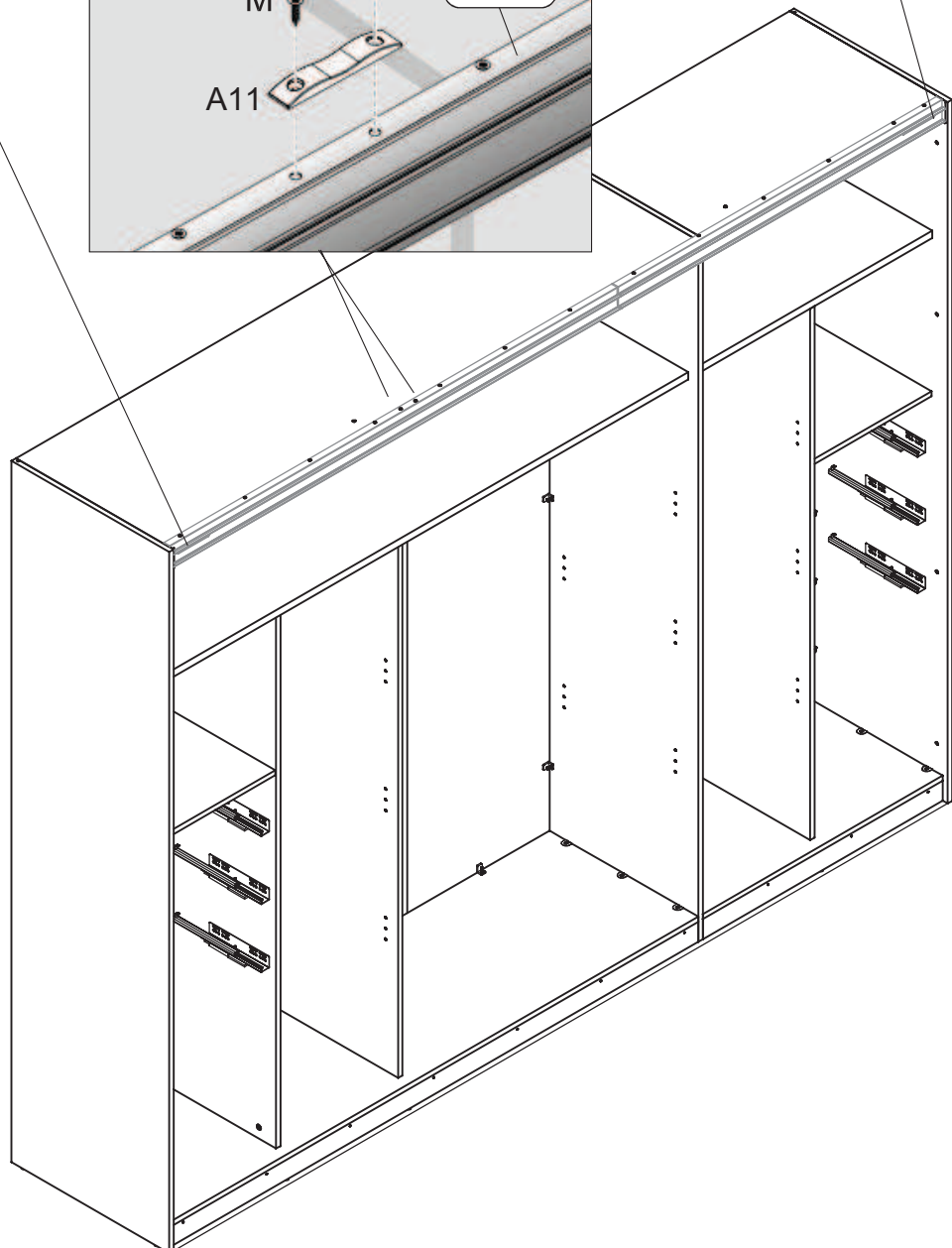
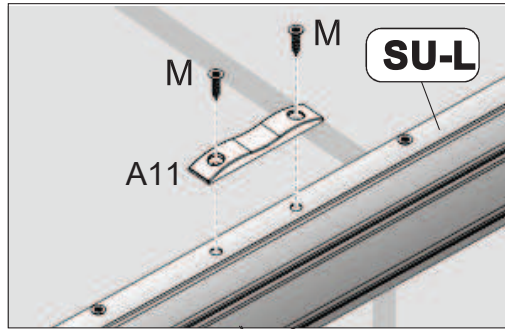
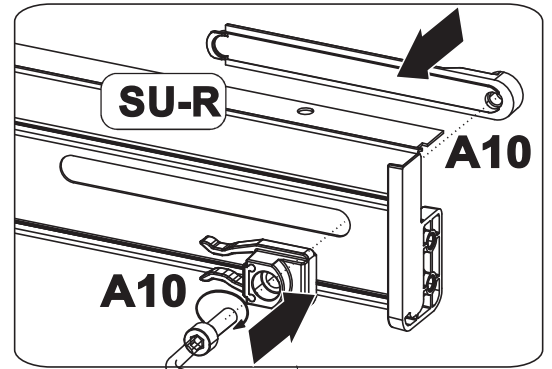
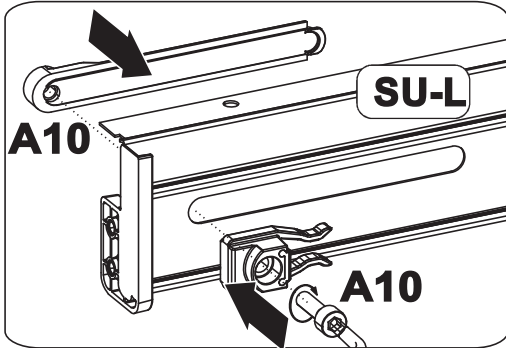
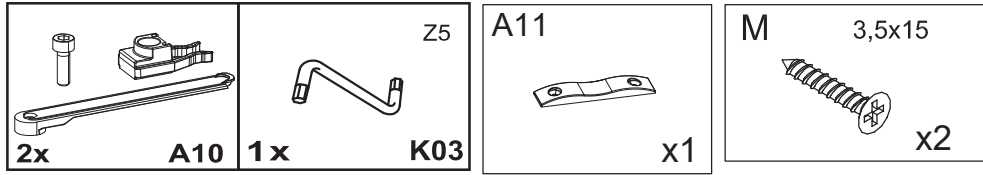
25

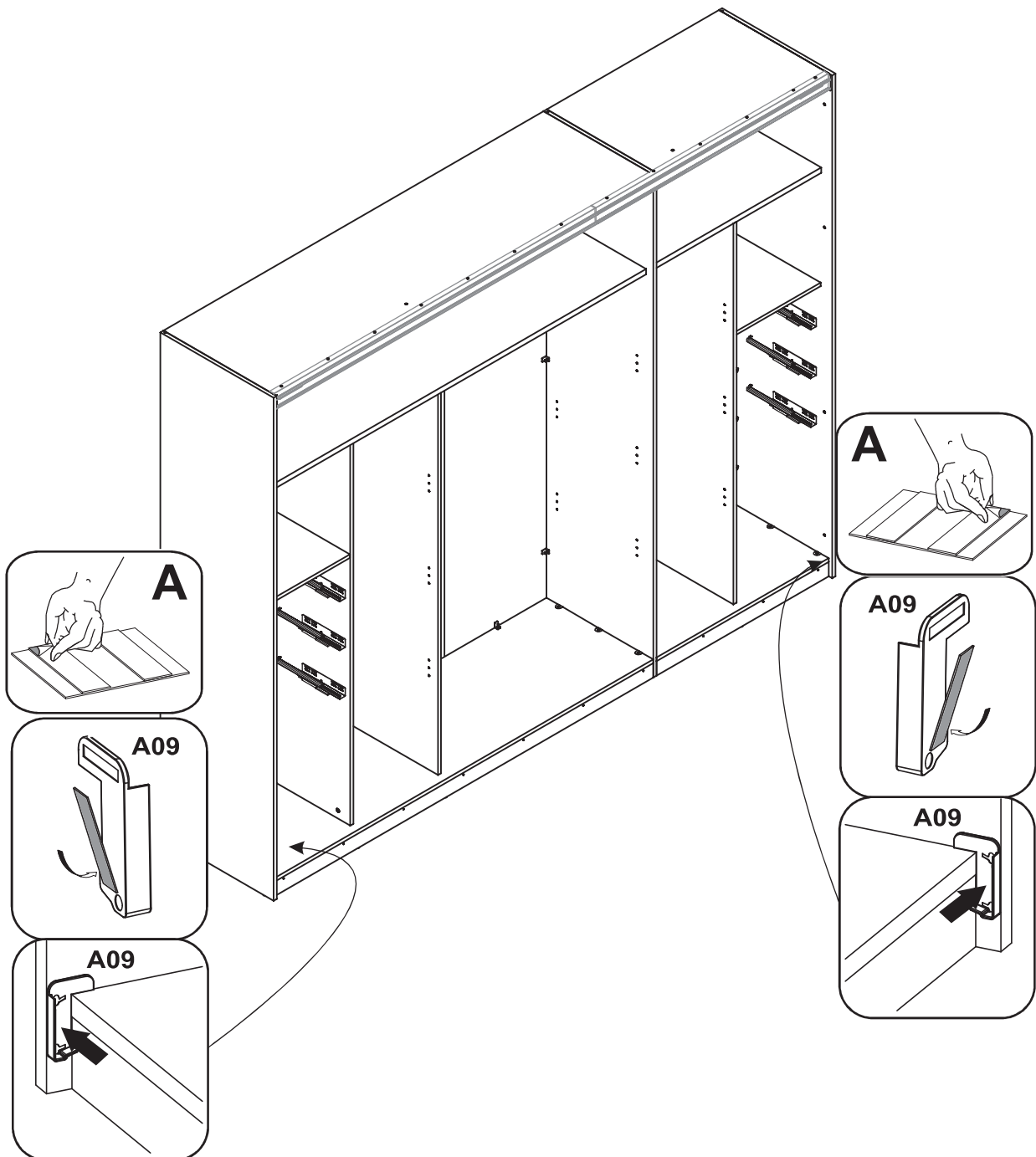
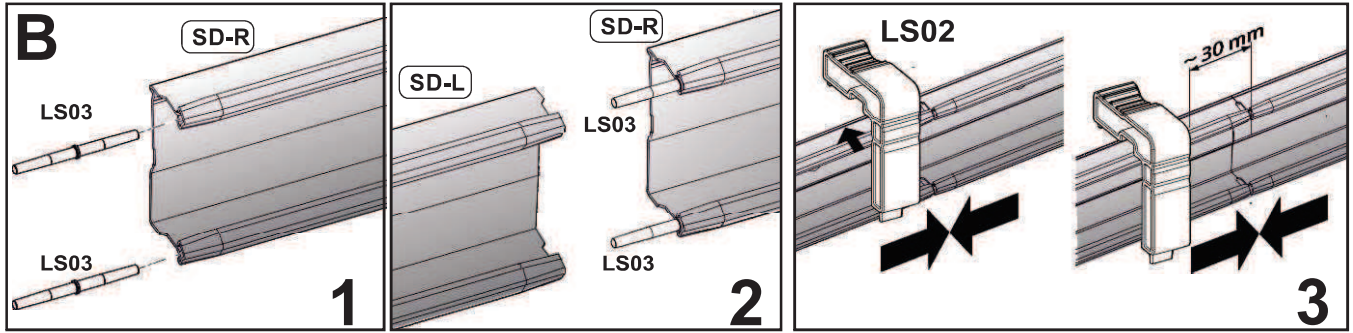
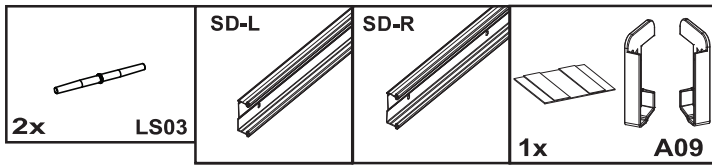




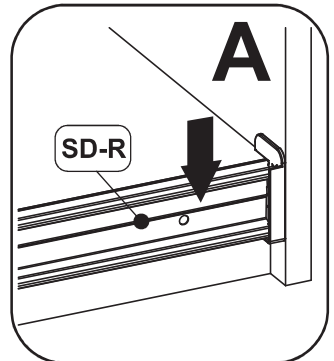
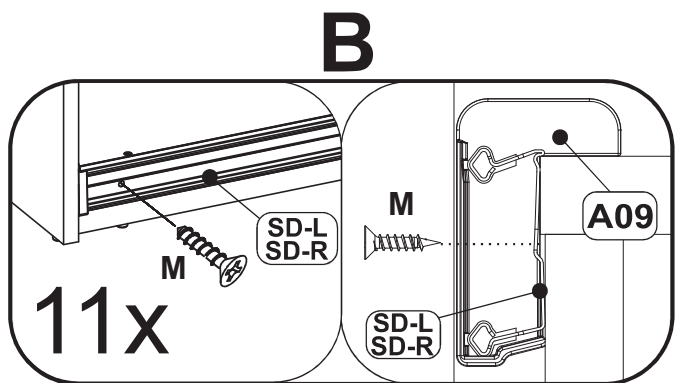
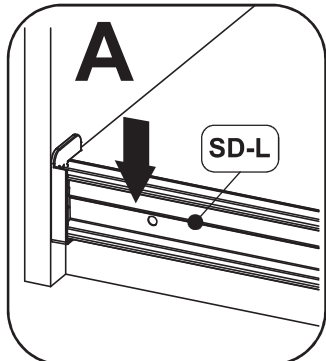
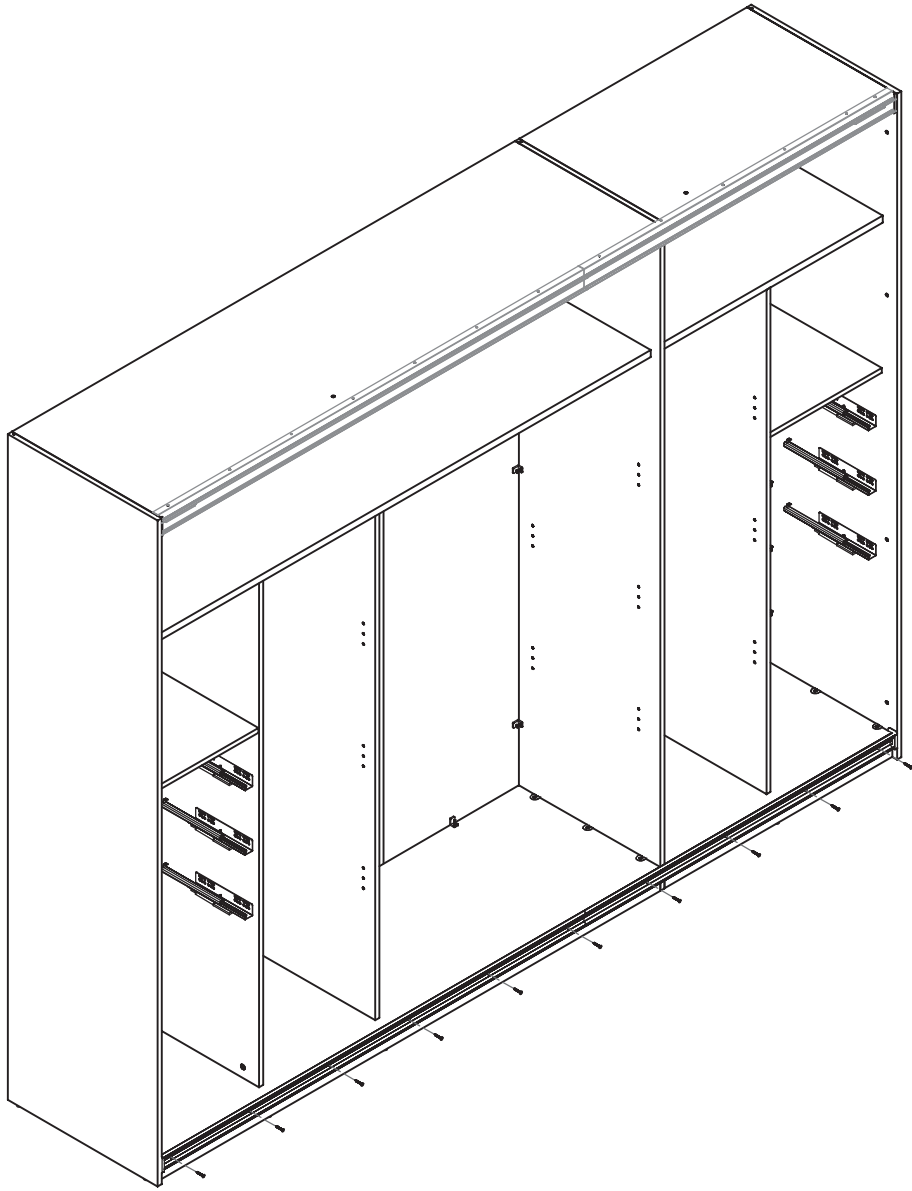
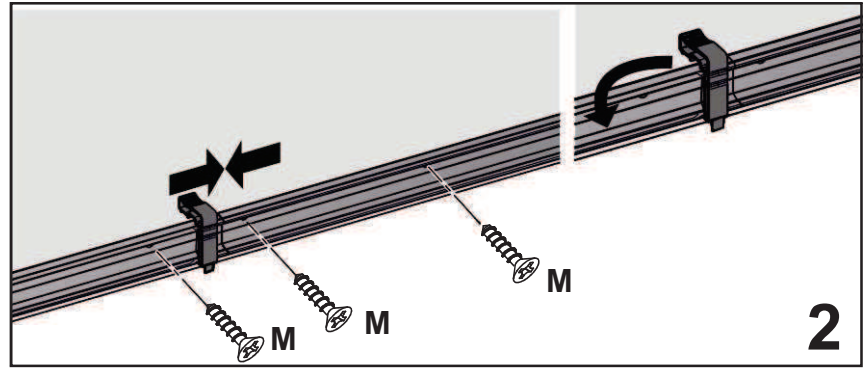
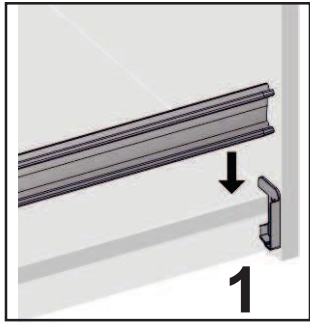




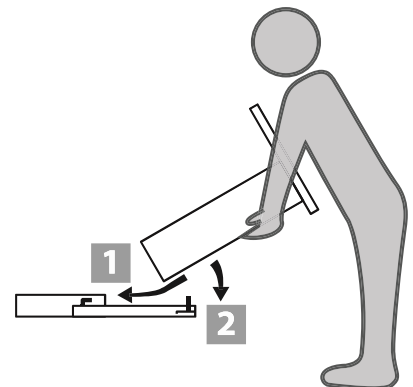
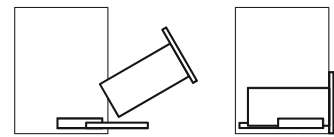
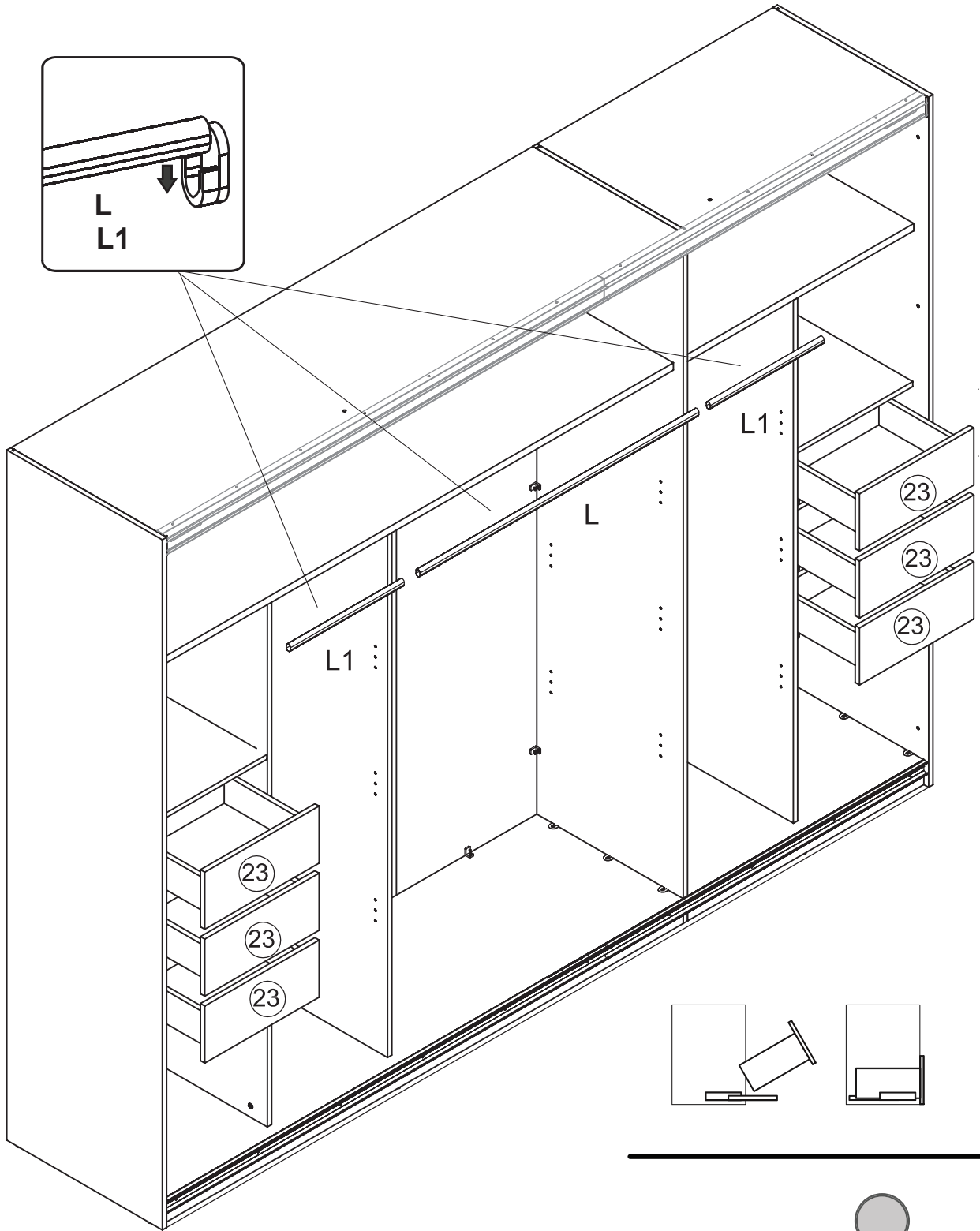
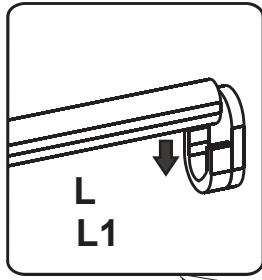
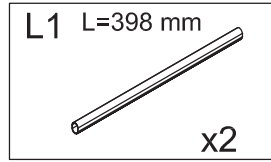
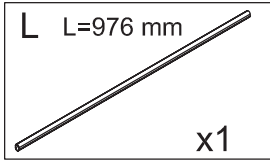




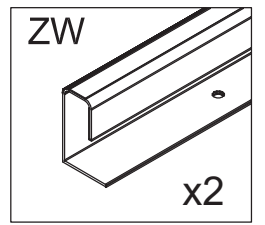
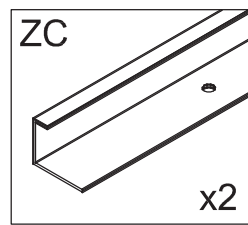
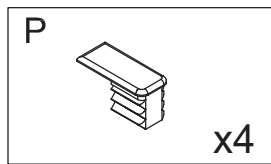
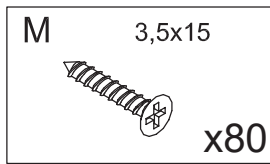
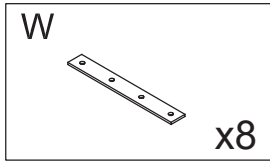
- M 3,5x15
- 11x
- 1x LS02



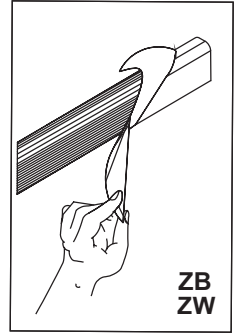
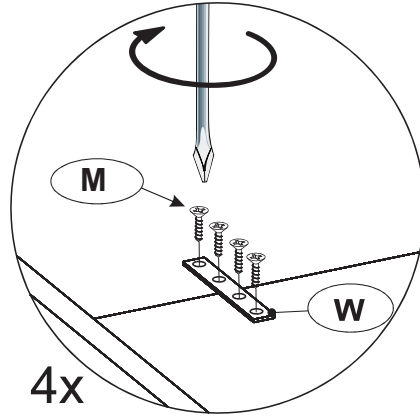
33



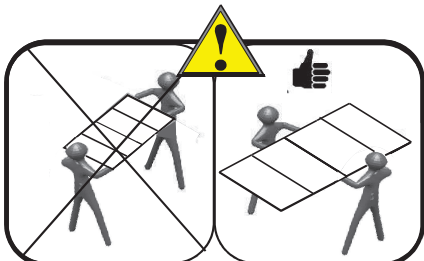
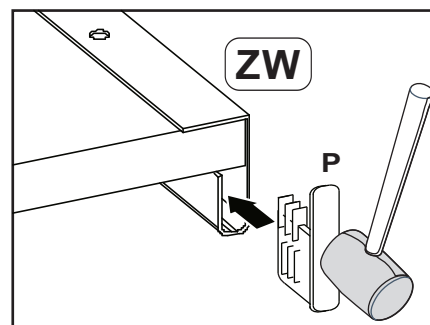
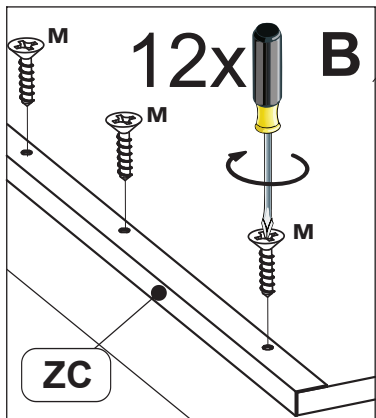
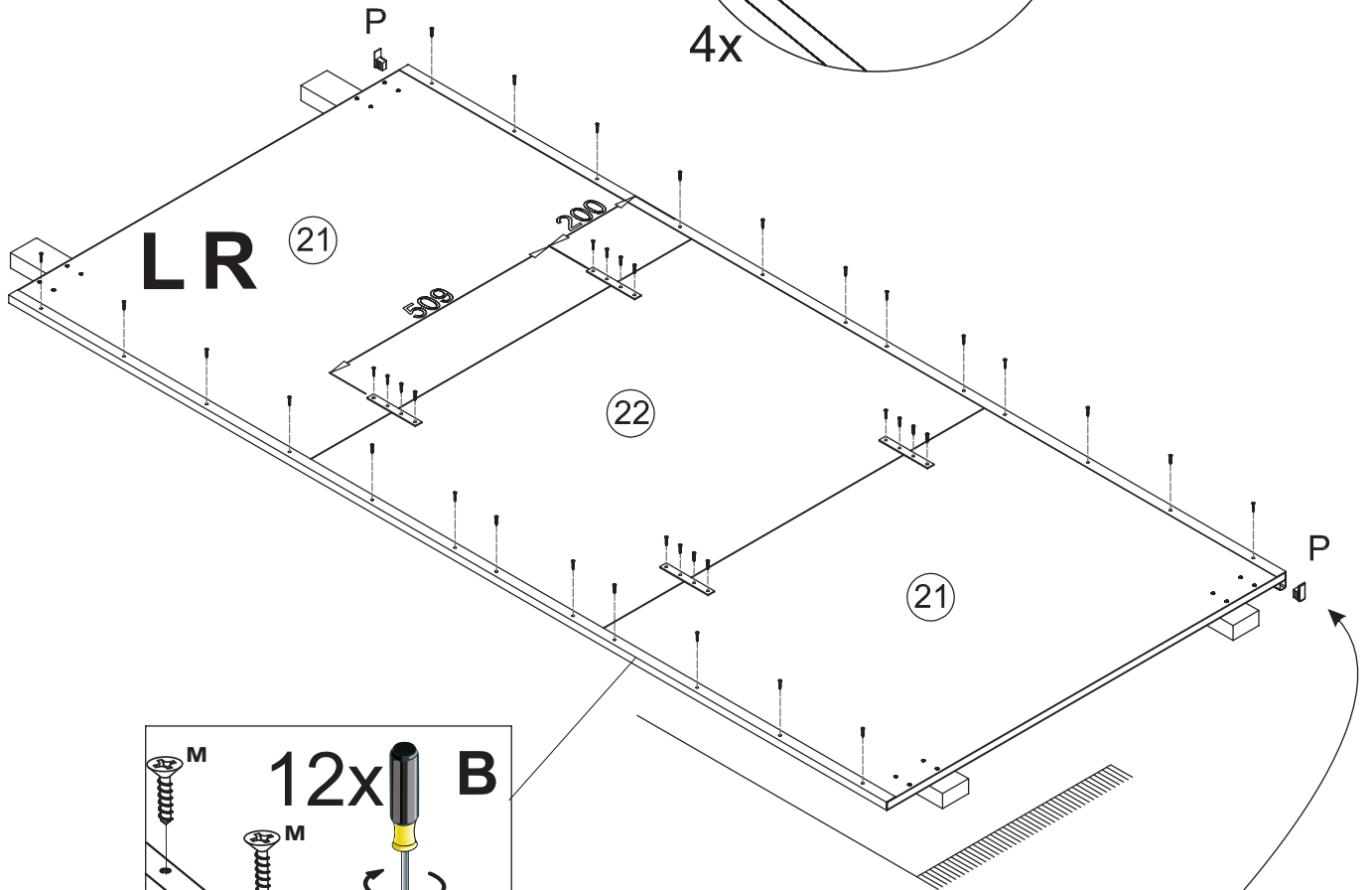
34

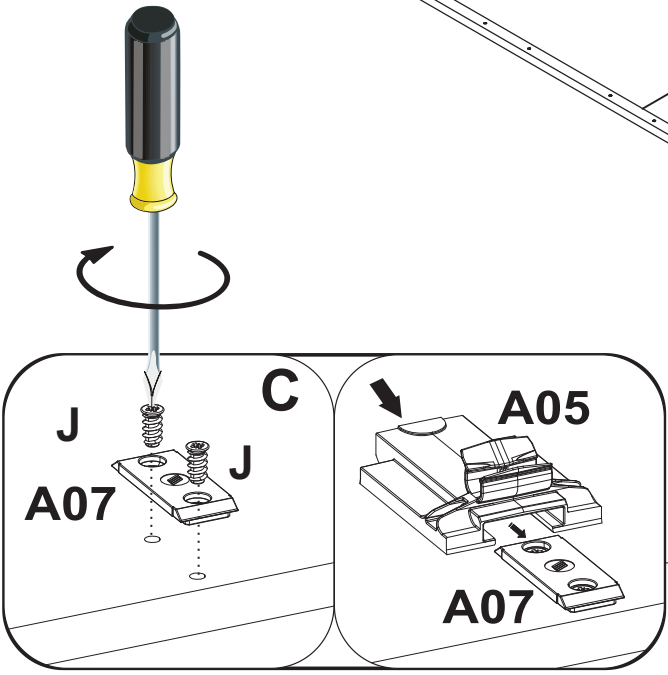
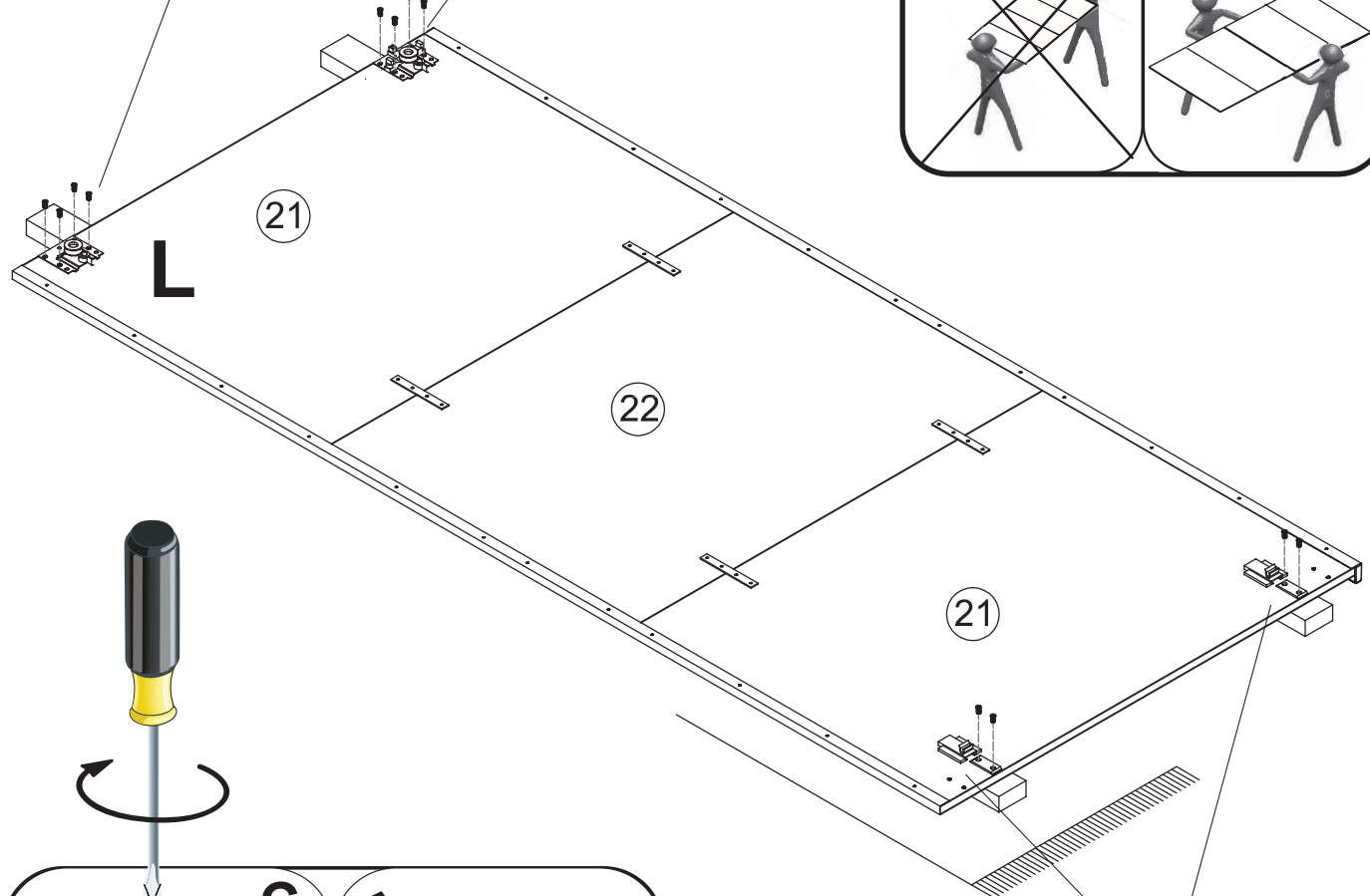
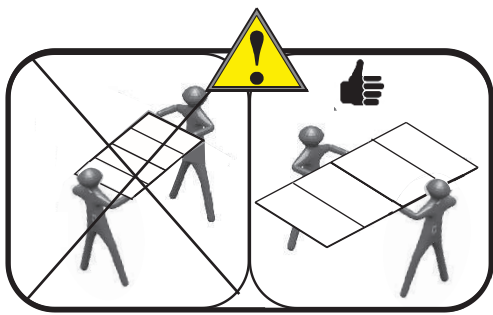
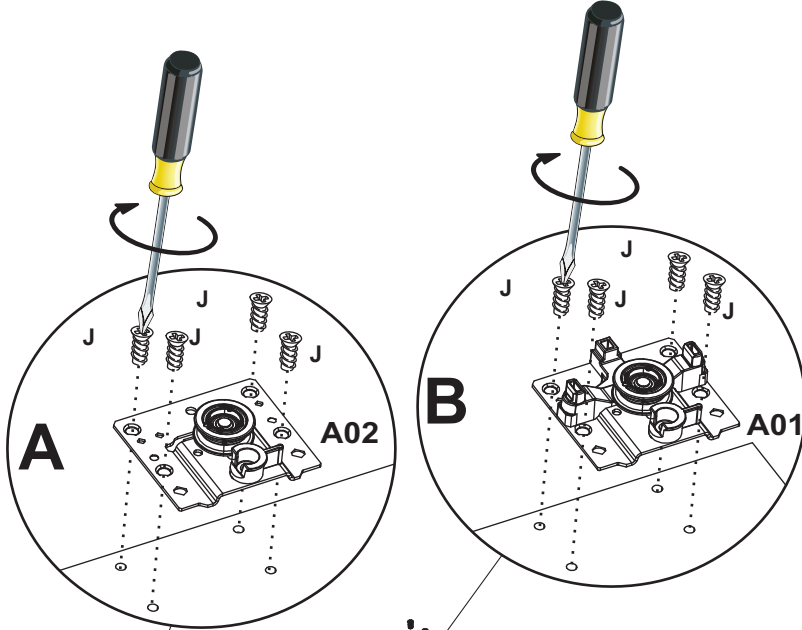
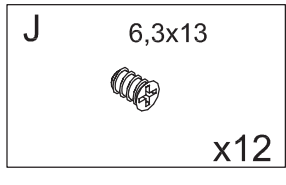
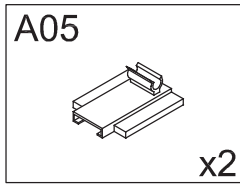
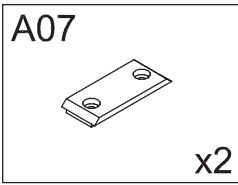
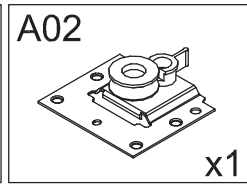
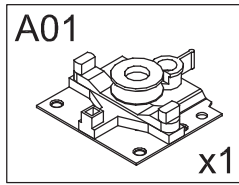


x2

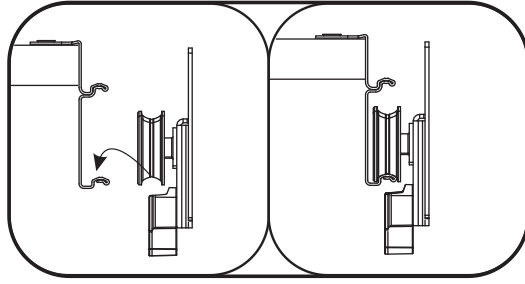


4x

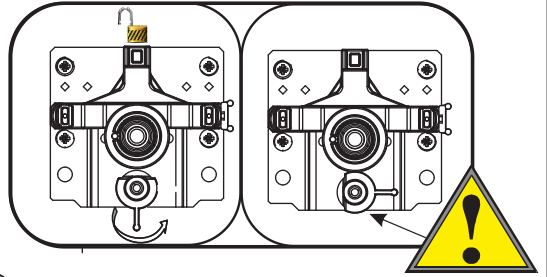




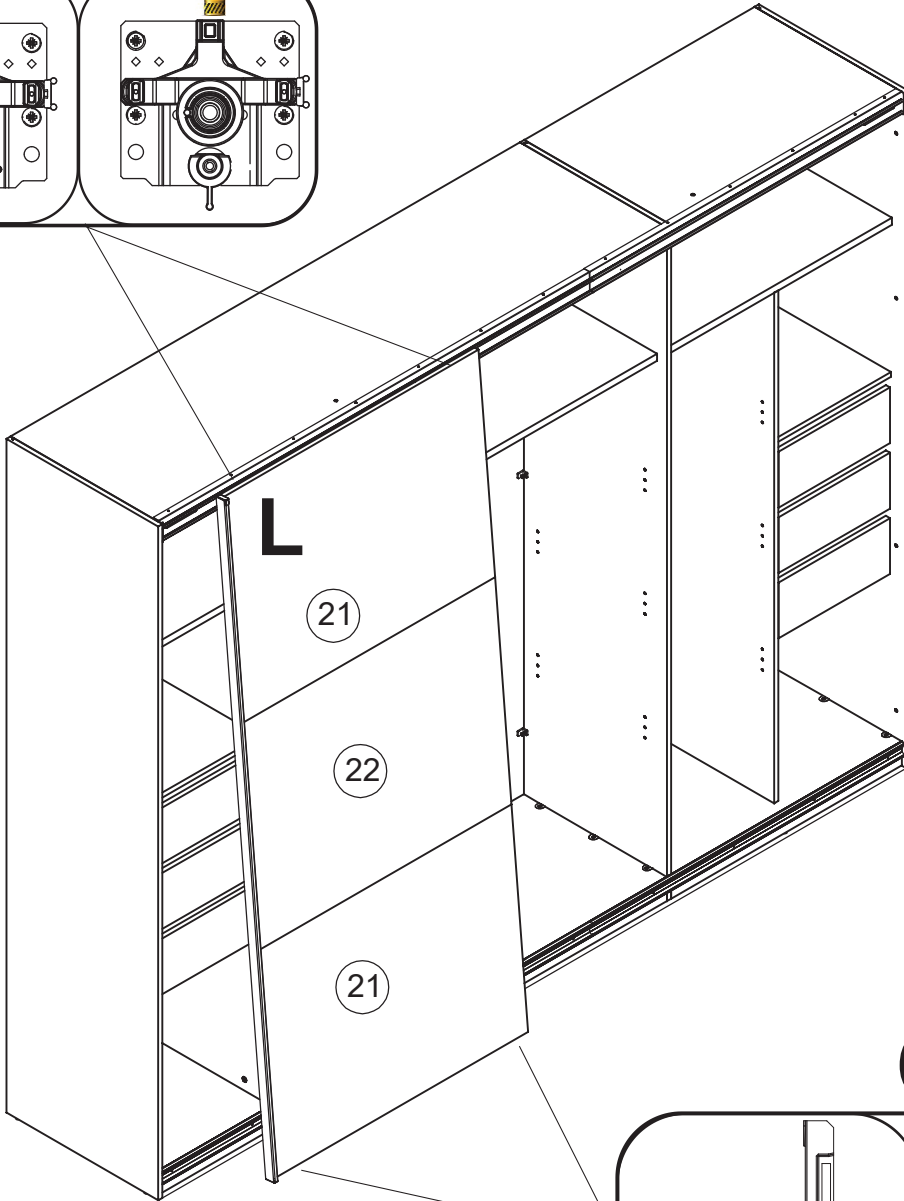
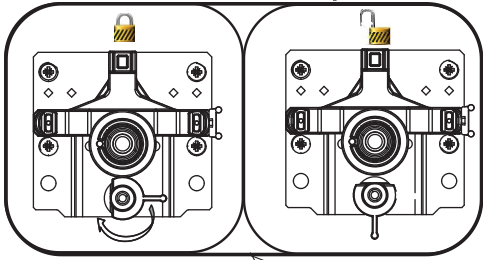
B



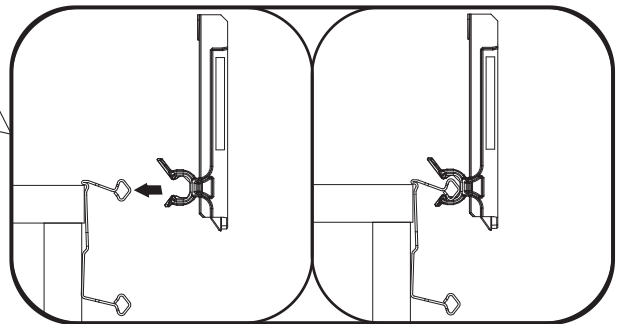
D

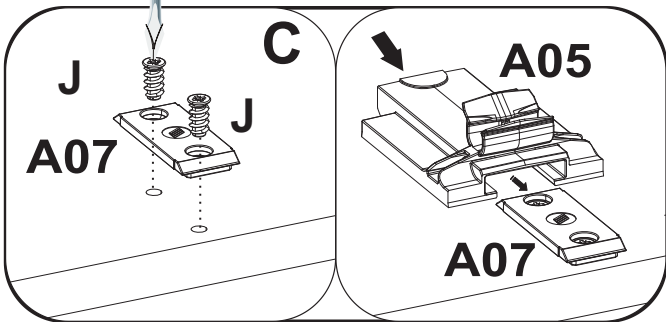
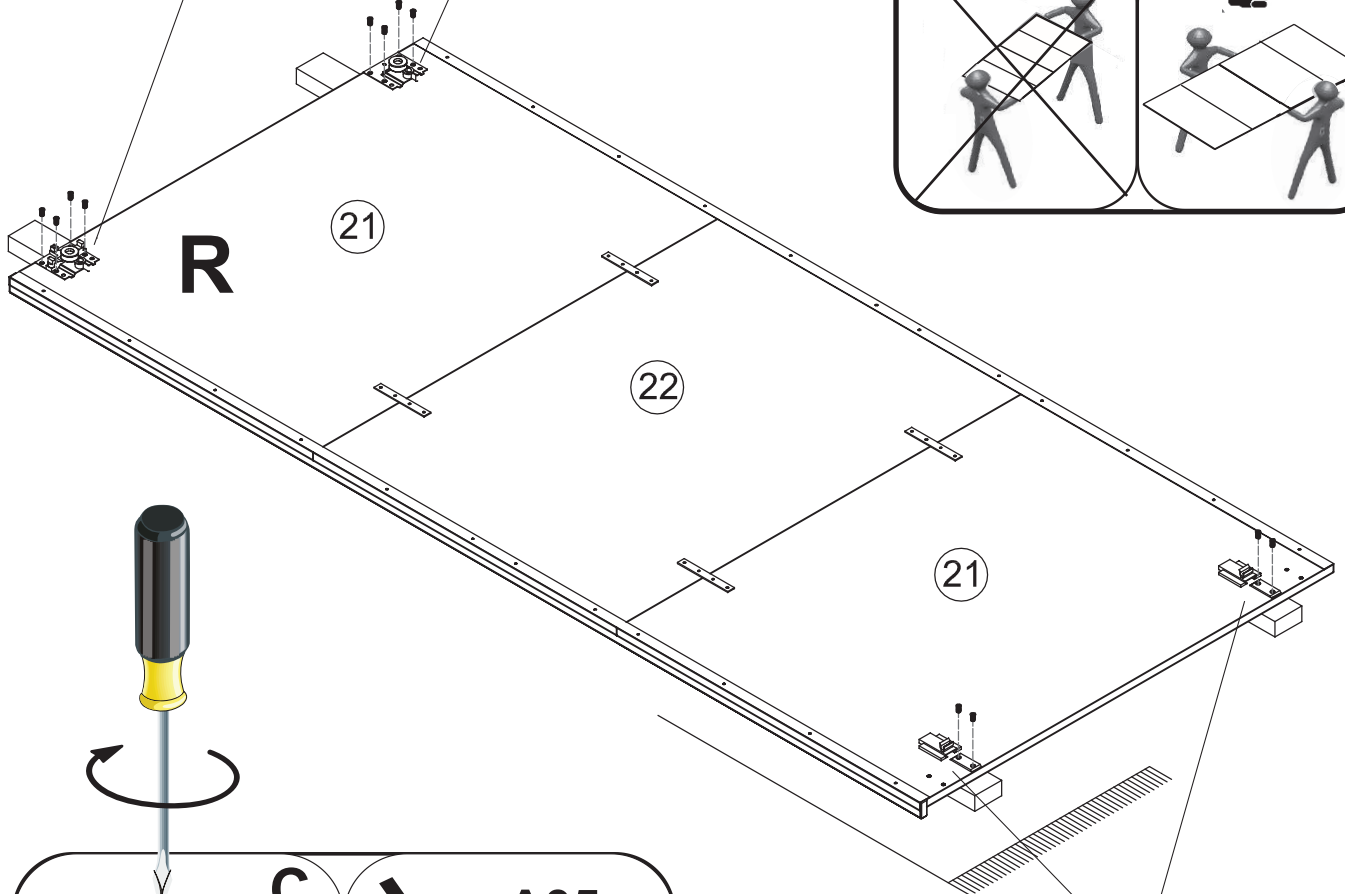
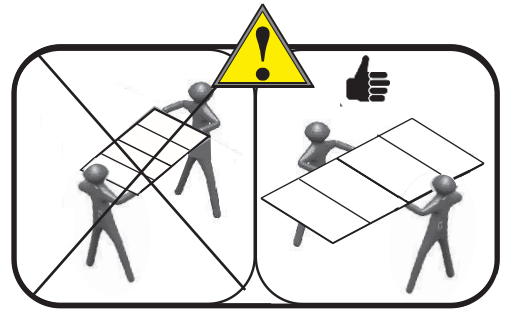
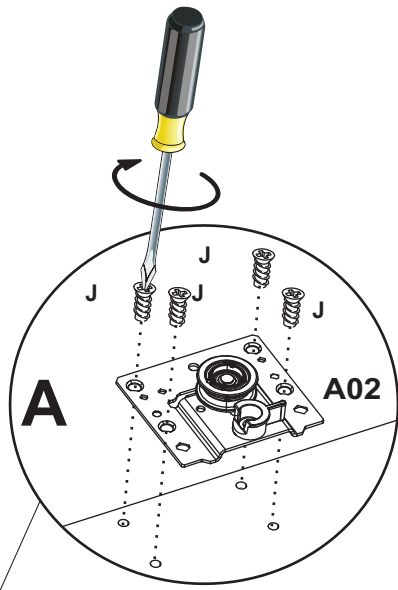
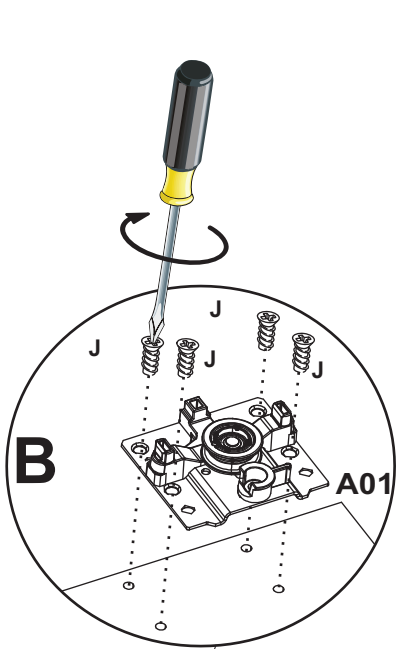
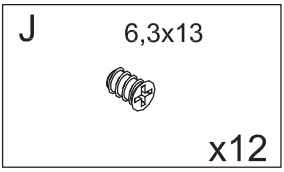
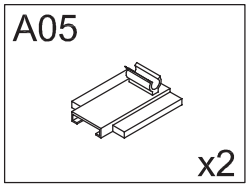
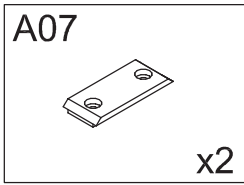
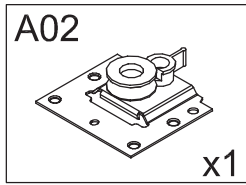
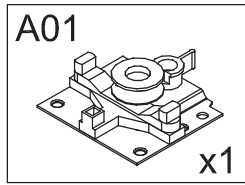


A

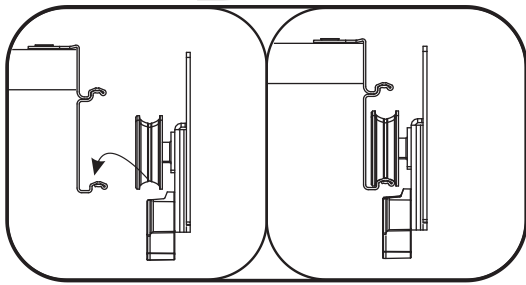


C

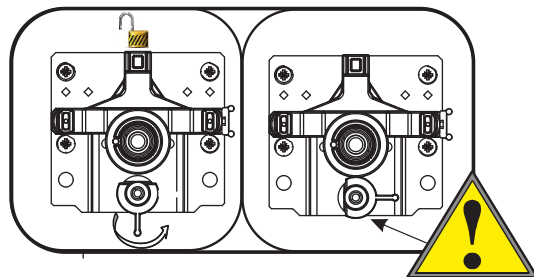




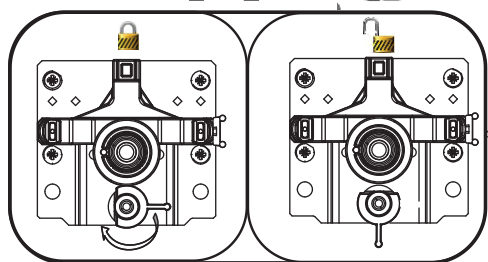
B



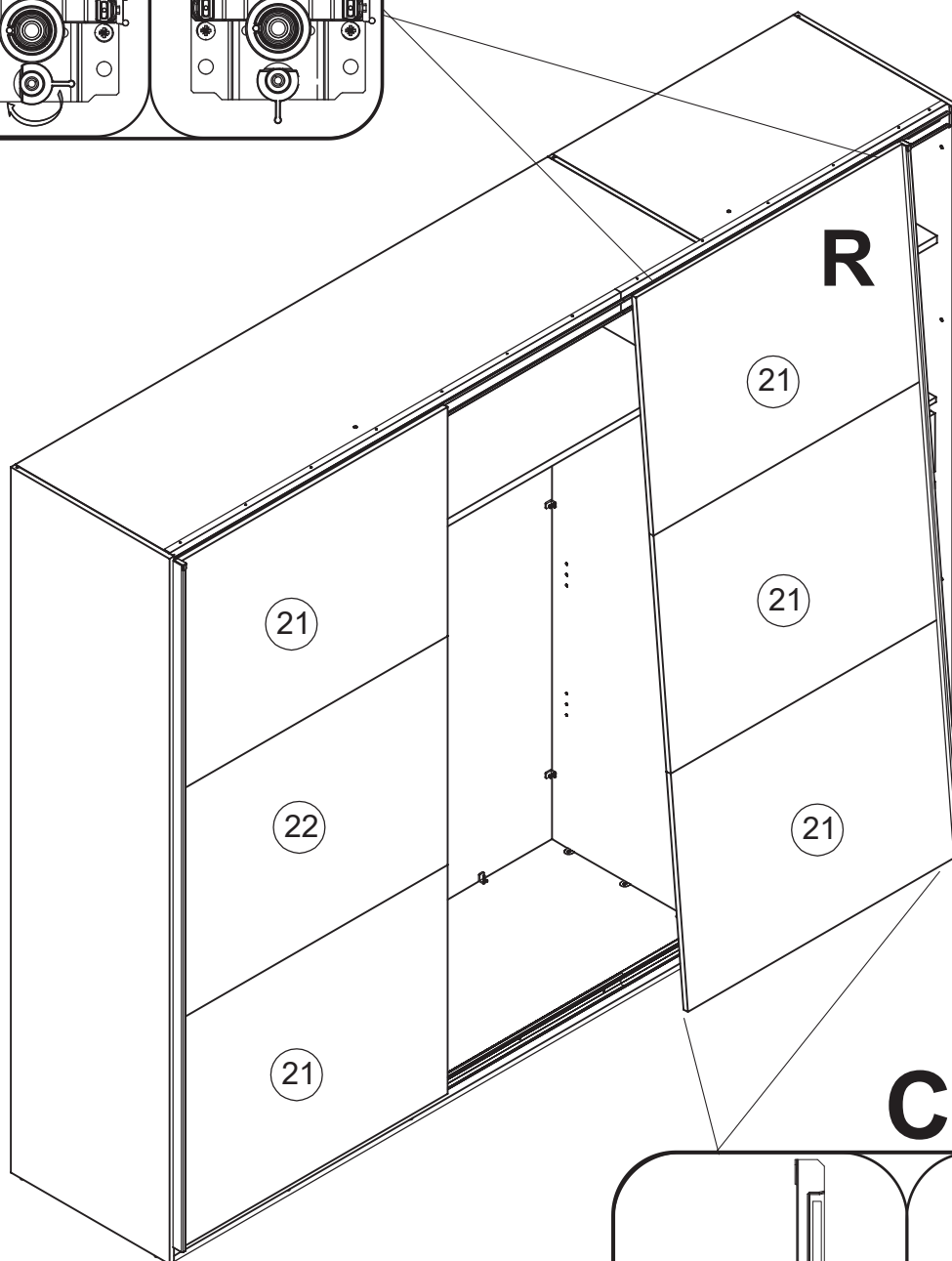
D



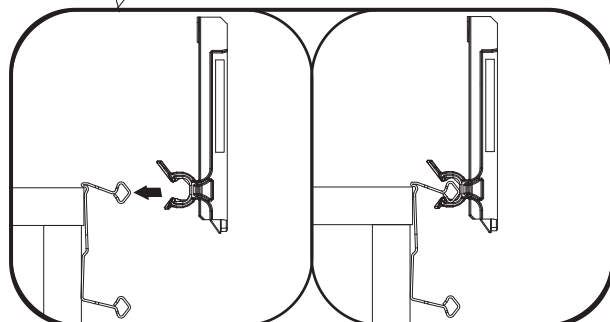
A

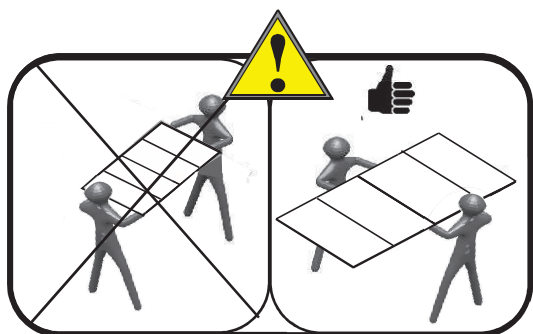
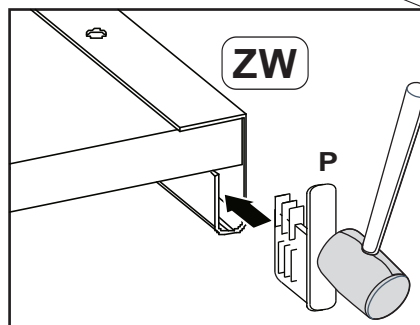
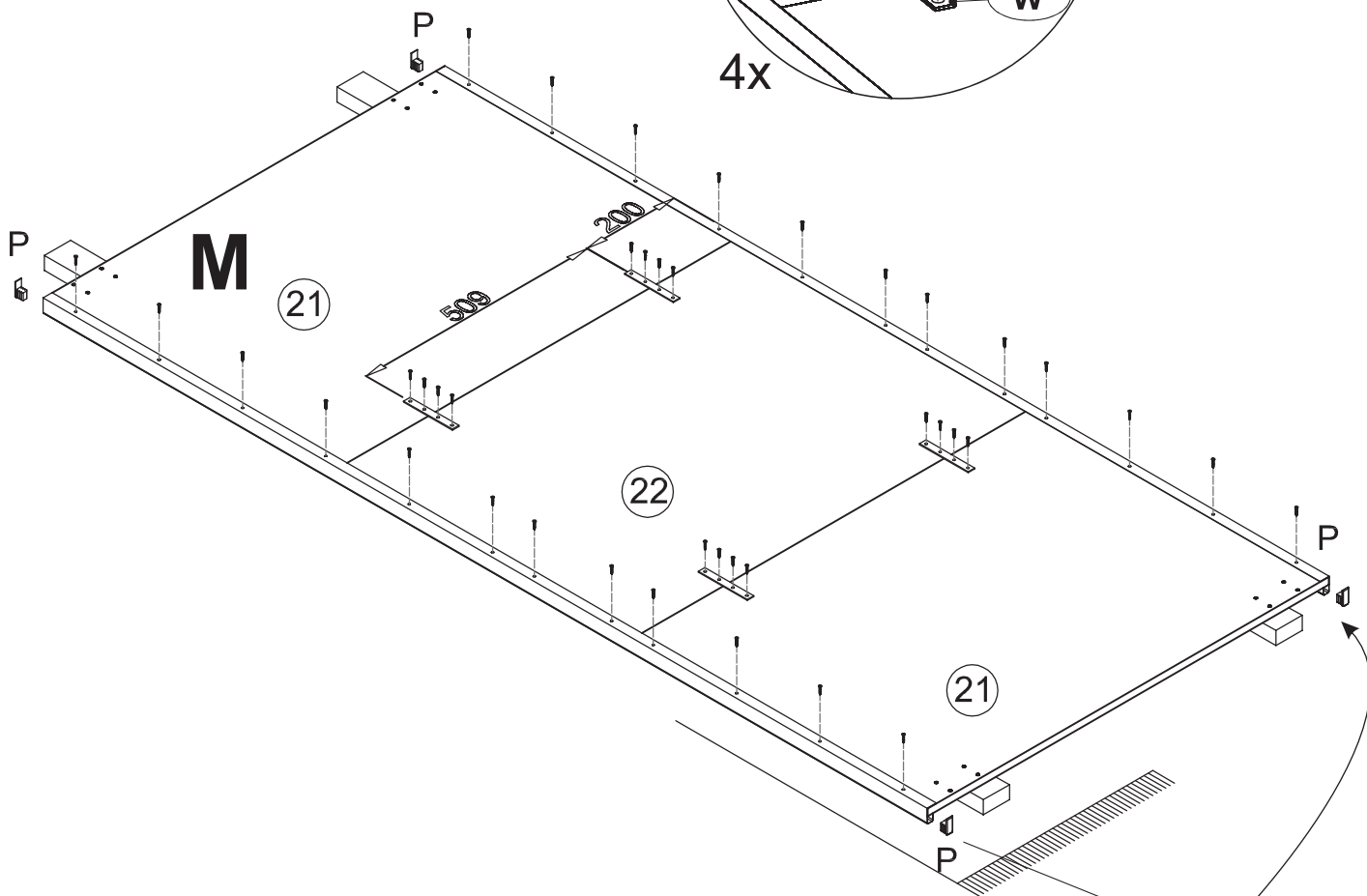
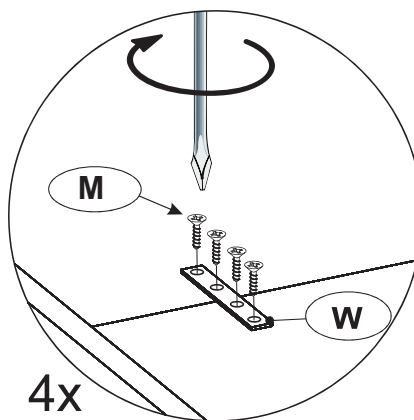
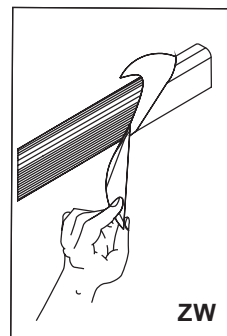
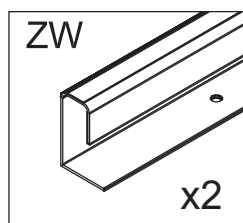
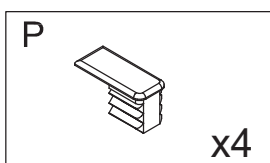
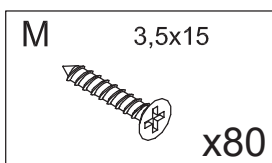
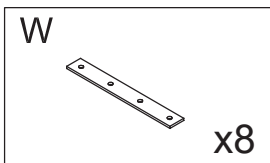


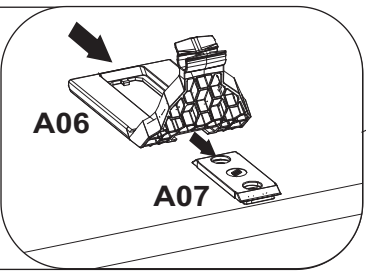
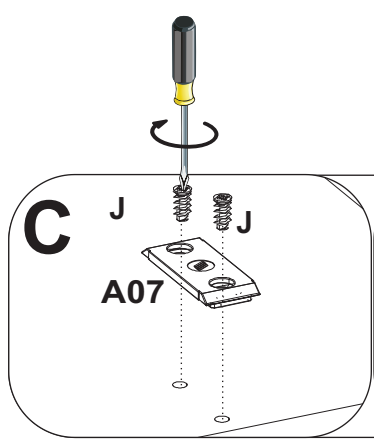
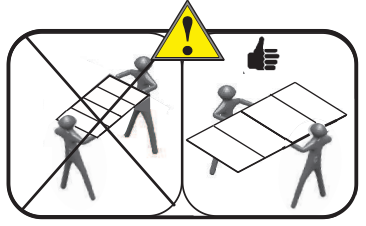
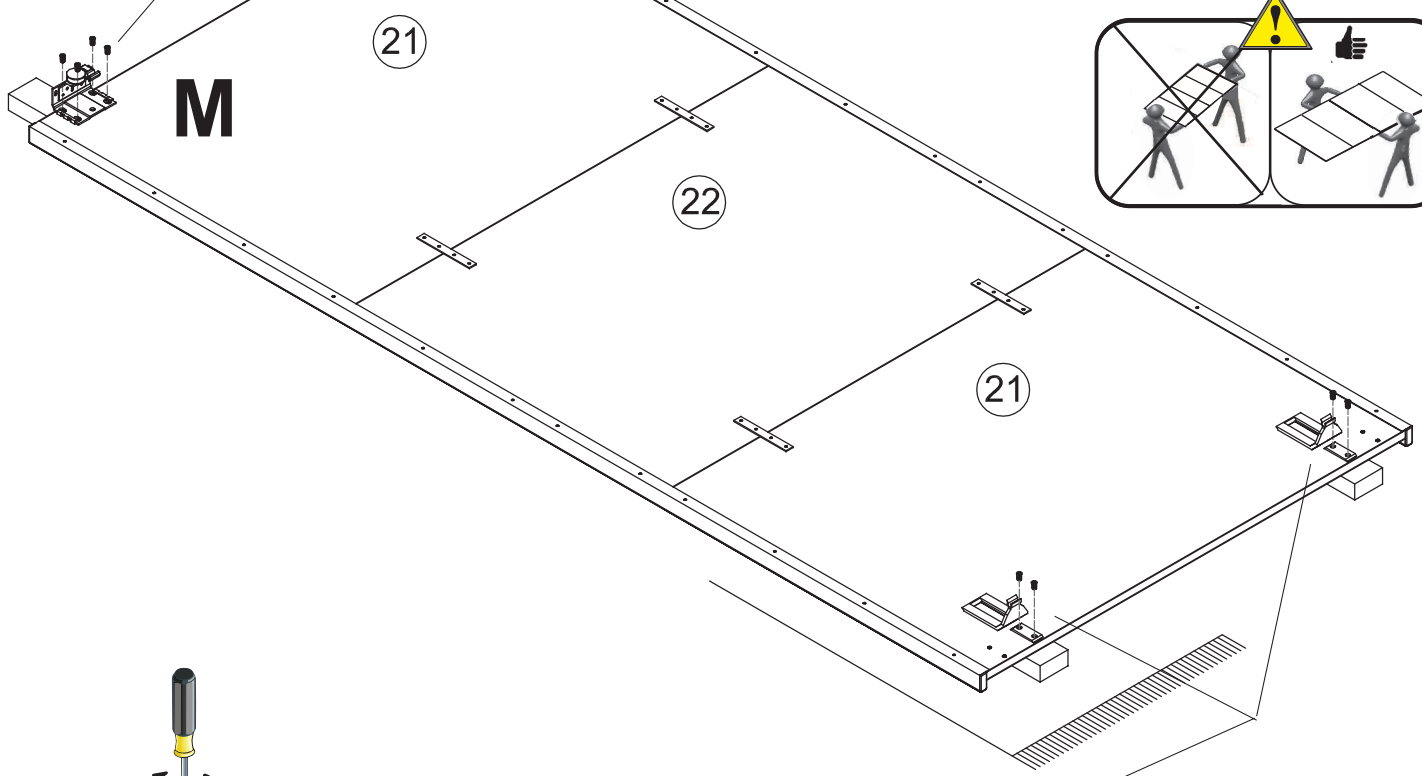
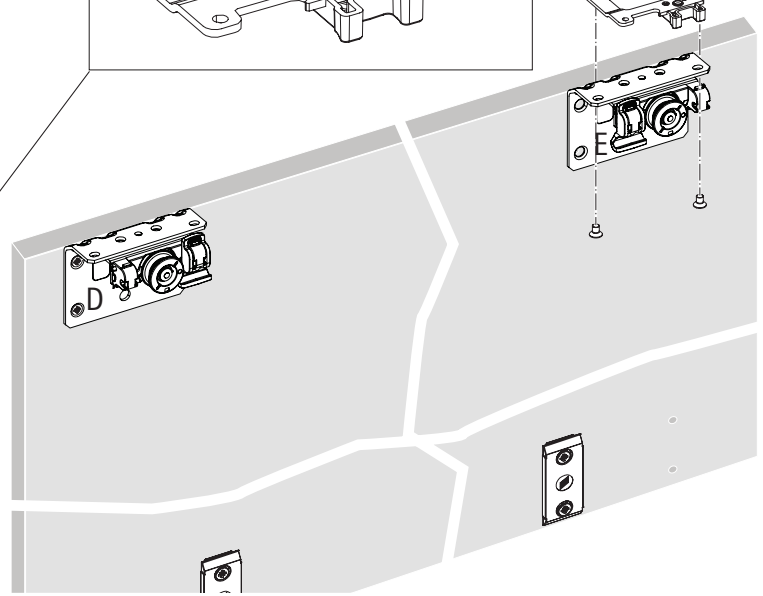
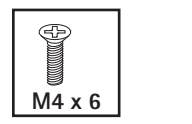
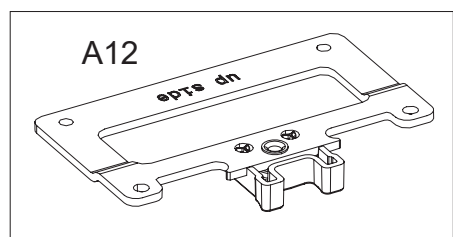
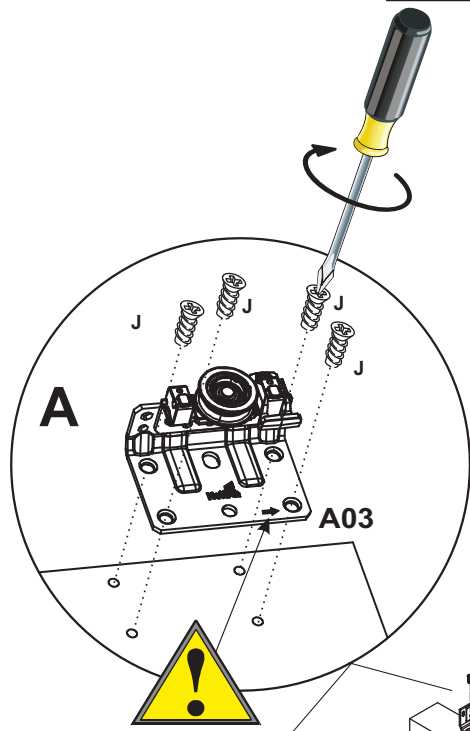
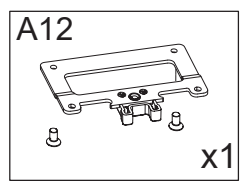
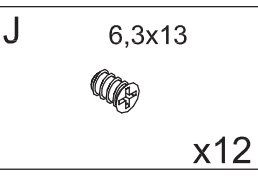
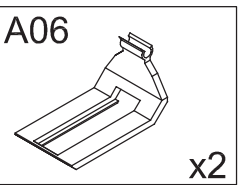
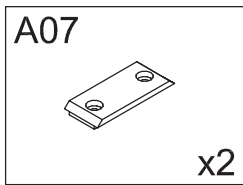
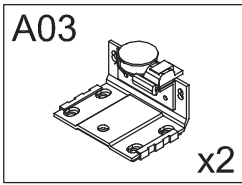
R



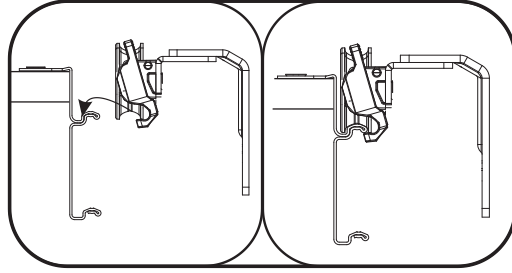
C



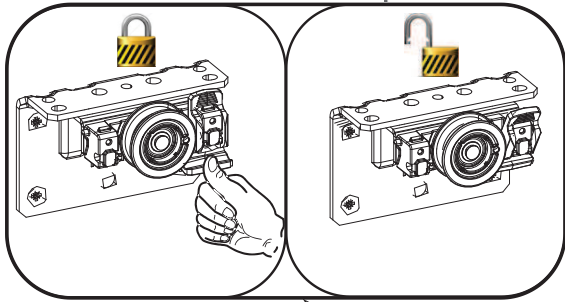




B



A



D

