

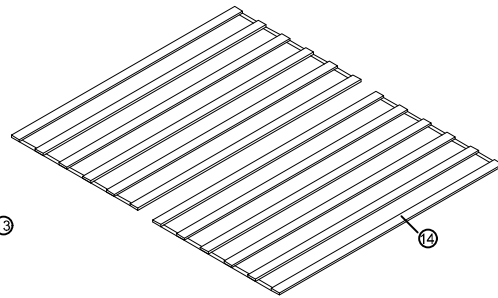
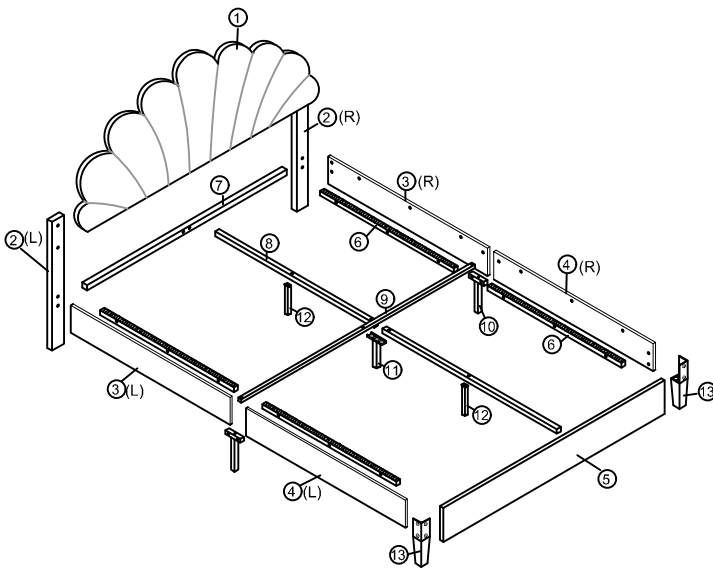
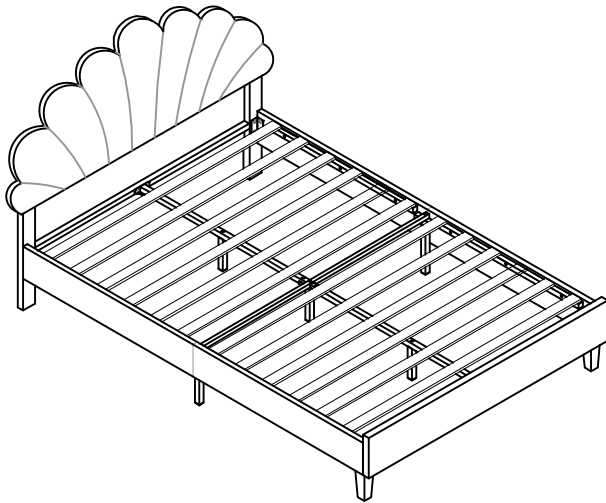
ASSEMBLY INSTRUCTION

TIPS

1. Please read the instructions fully before assembly. These instructions include important information which could ensure correct assembly. We have been working on providing high quality products for you. However, in the rare instance that your product is defective, missing parts or there are some issues, please don't hesitate to contact our customer service to submit parts requirements, assembly suggestion, or warranty claims, and we will give the best solution as soon as possible. If necessary, we need you to provide some more clear pictures of the issue.

2. Insert the screws in holes and tighten the screws, but not too tight, 70%~80% is ok, finally tighten all the screws. If some issues happened that some screws can not target to the hole or some parts are difficult to install, please adjust the tightness of the screws.

3. 2 people are recommended to finish



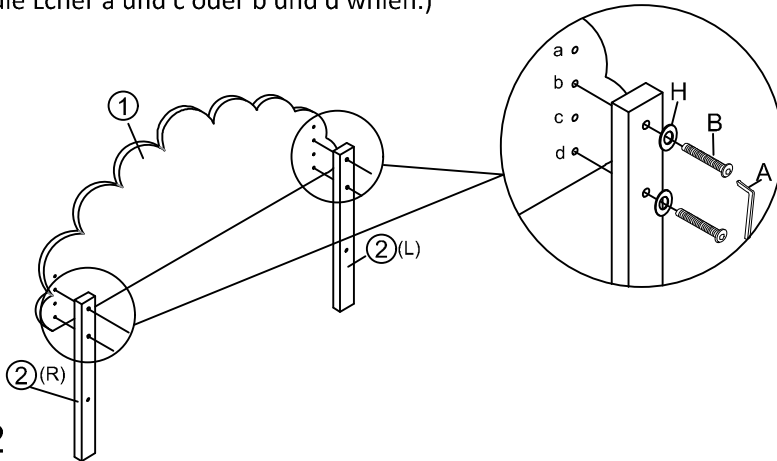
Parts List			Hardware List		
NO	ITEM	QTY	NO	ITEM	QTY
1	Head board	1	A	Allen Key 	1
2	Head board legs	2	B	Bolts (M8x45mm) 	4
3	Siderails	2	C	Bolts (M8x18mm) 	24
4	Siderails	2	D	Bolts (M8x40mm) 	25
5	Foot board	1	E	Two hole iron 	2
6	Side rails support bar	4	F	"7" Connector 	2
7	Head board cross bar	1	G	Center support bar fittings 	2
8	Center support bar	2	H	Washer 	8
9	Cross bar	1			
10	Side rails support legs	2			
11	Connected support leg	1			
12	Middle support leg	2			
13	Legs	2			
14	Slats	12			




Attention: Do not tighten the screws before completing the entire installation. If you have any difficulty with the installation process, please feel free to contact us.

Step 1 x2

Fix the Headboard legs ② to the Headboard ① with Bolt B and Washers H by using Allen key A. You can chose the holes a and c or b and d.

(Befestigen Sie die Kopfteilbeine ② am Kopfteil ① mit Bolzen B und Unterlegscheiben H mit Inbusschlüssel A. Sie knnen die Lcher a und c oder b und d whlen.)

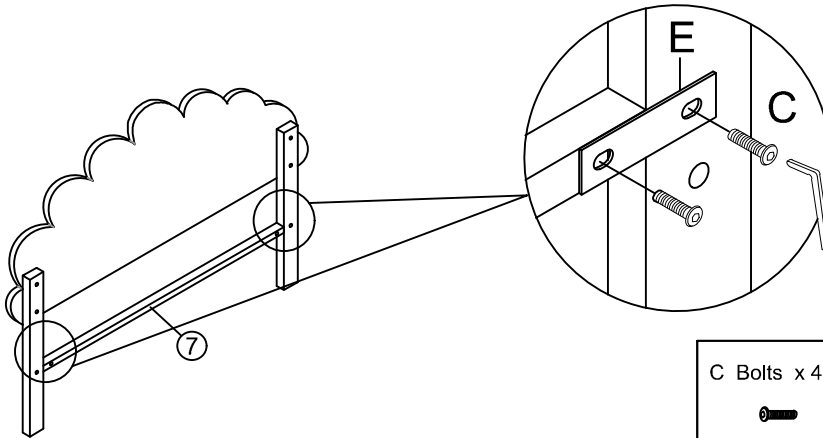





A Allen Key x 1 	B Bolts x 4 M8X45mm 	H Washer x 4 
--	---	---

Step 2 x2

Fix the Headboard cross bar ⑦ to the Headboard legs ② with Bolt C and Two hole iron E by using Allen key A.

(Befestigen Sie die Kopfteilquerstange ⑦ an den Kopfteilbeinen ② mit Bolzen C und Zweilochisen E mit Inbusschlüssel A.)

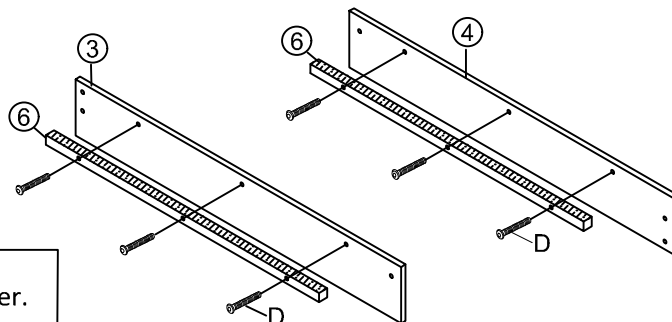




C Bolts x 4 M8X18mm 	E Two hole iron x 2 	A Allen Key x 1 
---	--	--

Step 3 x2

Connect to Siderail support bar ⑥ Siderails ③ and ④ with Bolts D by using Allen key A.

(Verbinden Sie die Seitenschiene-Stützstange ⑥ Seitenschiene ③ und ④ mit den Schrauben D mit dem Inbusschlüssel A.)



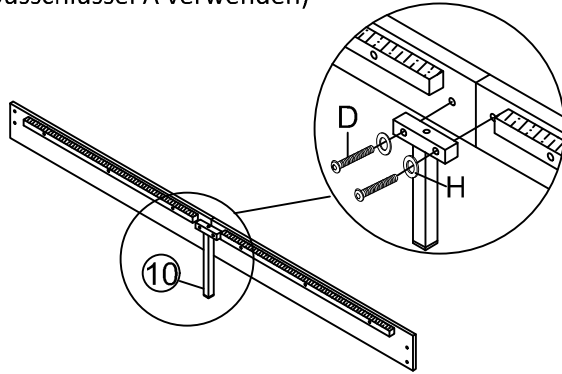
D Bolts x 12 M8X40mm 	Allen Key 
--	--




NOTICE:
Please assemble ③ and ④ together.
NOTIZ:
Bitte ③ und ④ zusammen montieren

Step 4 x2

Fix the side rails support leg ⑩ to the side rail with Bolts D and Washer H by using Allen key A

(Befestigen Sie das Seitenschiene-Stützbein ⑩ mit den Schrauben D und der Unterlegscheibe H an der Seitenschiene, indem Sie den Inbusschlüssel A verwenden)

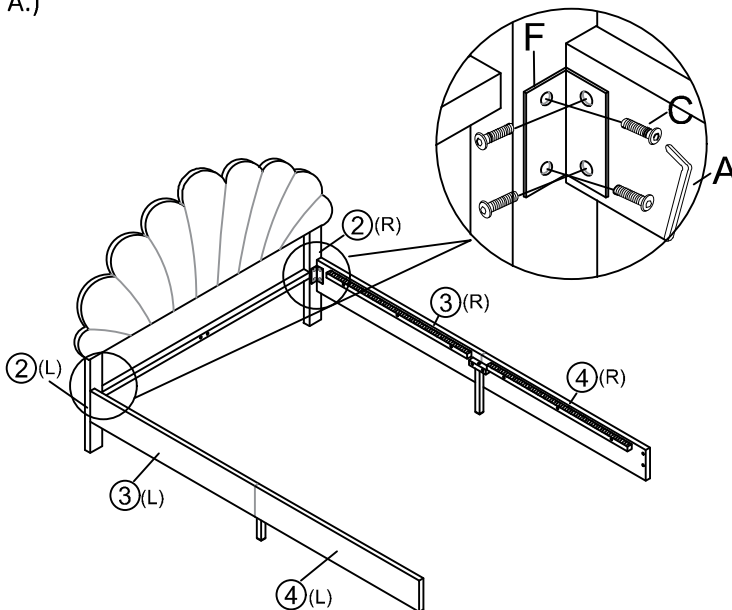





D Bolts x 4  M8X40mm	Allen Key 	H Washer x 4 
---	--	---

Step 5 x2

Fix the assembled siderail to the Headboard legs ② with Bolt C and "7" Connector F by using Allen key A.

(Befestigen Sie die zusammengesetzte Seitenschiene an den Kopfteilbeinen ② mit Schraube C und 7"-Anschluss F mit Inbusschlüssel A.)

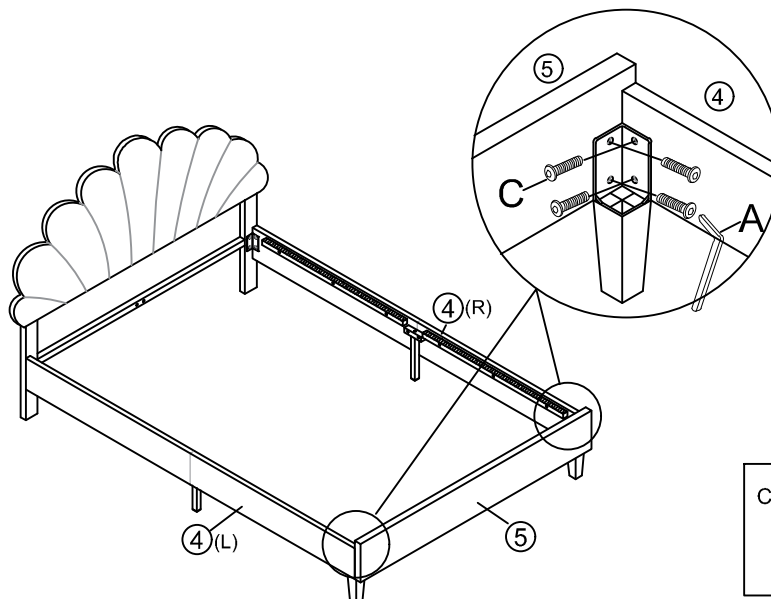




C Bolts x 8  M8X18mm	F "7" Connector x 2 	Allen Key 
---	--	--

Step 6 x2

Fix the assembled siderail to the footboard ⑤ with Bolt C and legs ④ by using Allen key A.

(Befestigen Sie das zusammengesetzte Seitengitter mit Bolzen C und Beinen ④ am Trittbrett ⑤ mit Inbusschlüssel A.)



C Bolts x 8  M8X18mm	Allen Key 
---	--