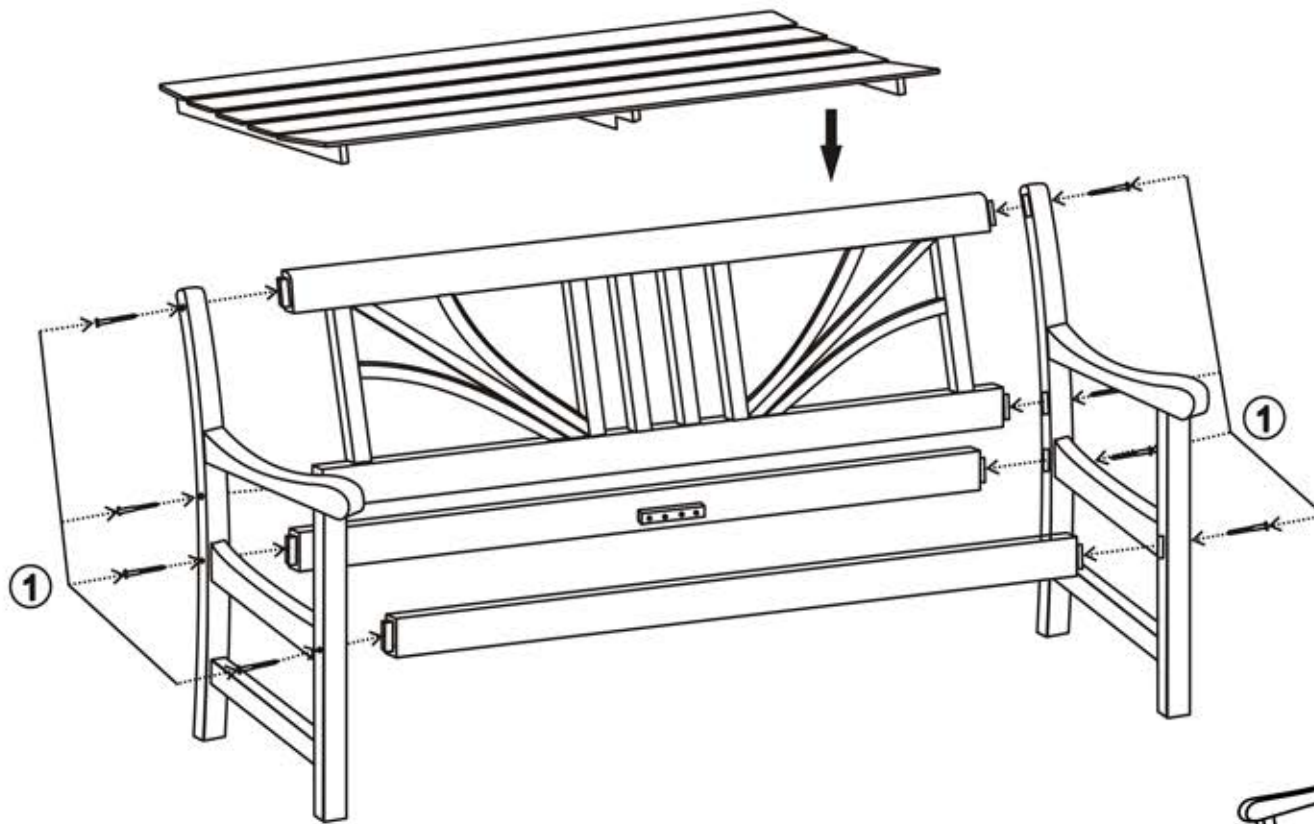



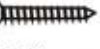



# ASSEMBLY INSTRUCTION



- 1**    
(M7 x 90) mm x 8 Pcs
- 2**    
(M4 x 35) mm x 2 Pcs
-   
1 Pcs

