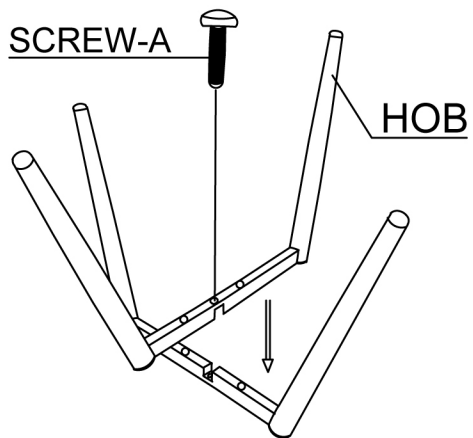


ASSEMBLY INSTRUCTION

▽ ASSEMBLY PROGRAM

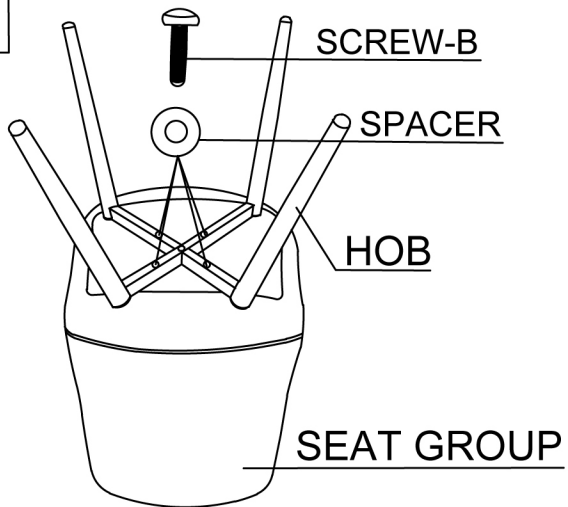
STEP1



FINISH



STEP2



▽ PARTS*QTY

SEAT GROUPx1



HOBx1



SCREW-A(M6X30mm)x1



SCREW-B(M6X42mm)x4



SPACER(M6X18mm)x4



SPANNERx1

