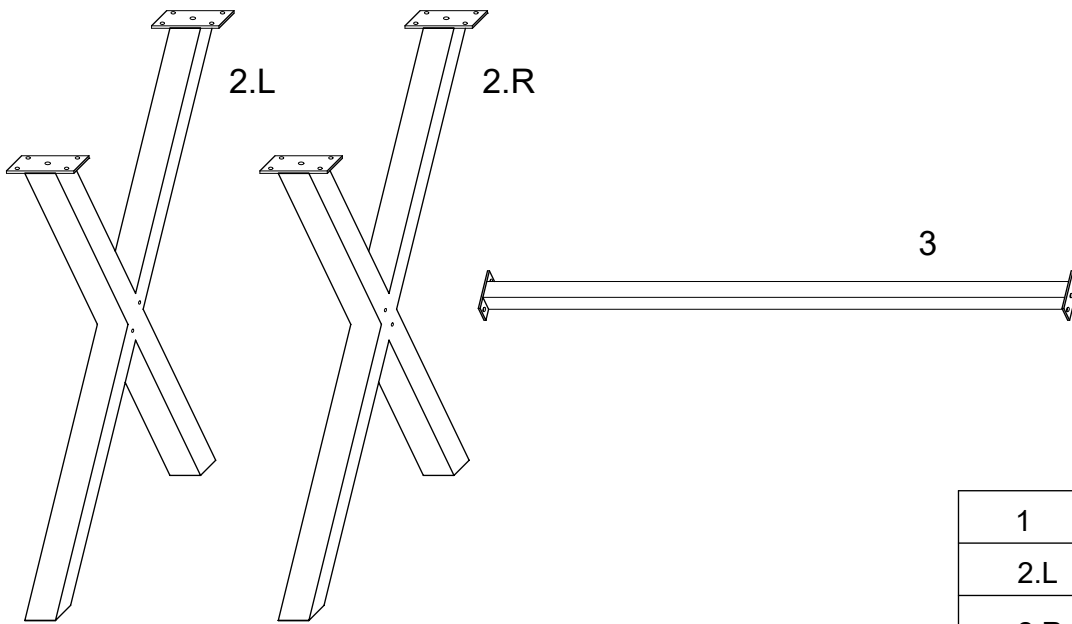
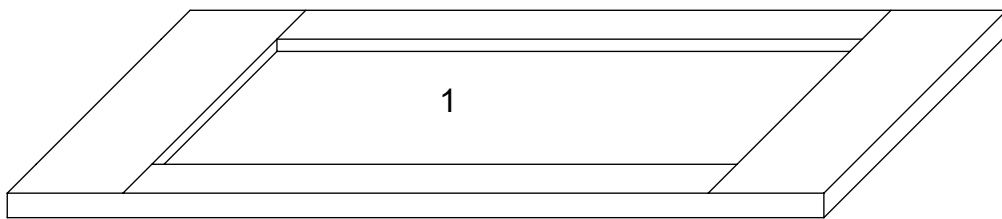
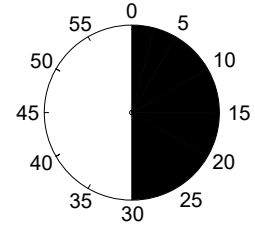
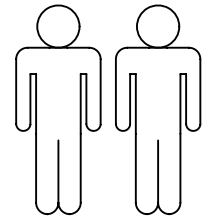
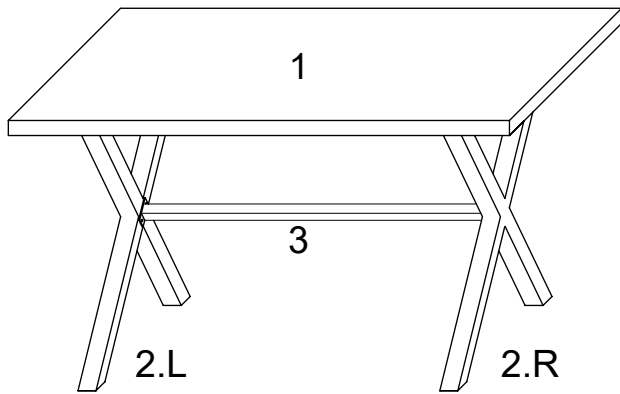


"Karen"

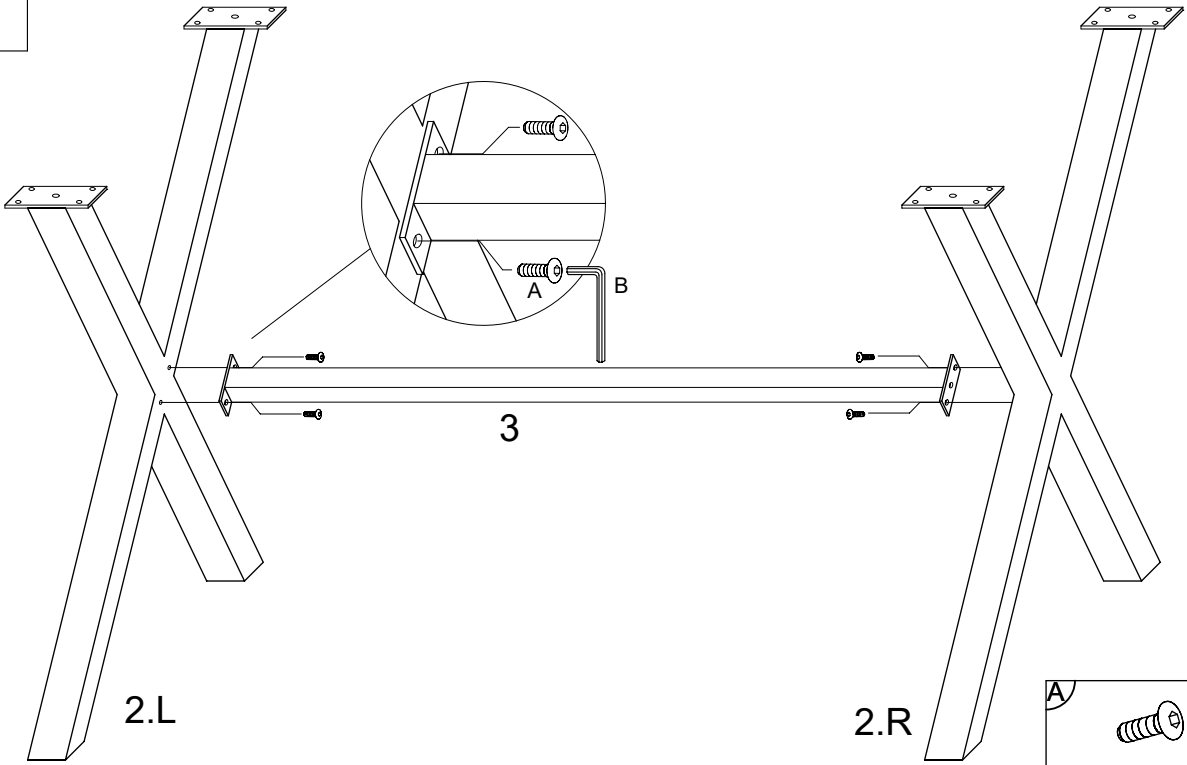


1	1 x	1/2
2.L	1 x	2/2
2.R	1 x	2/2
3	1 x	2/2

A	B	C			
 M6x12 4x	 SW 4 1x	 4.5x35 16x			

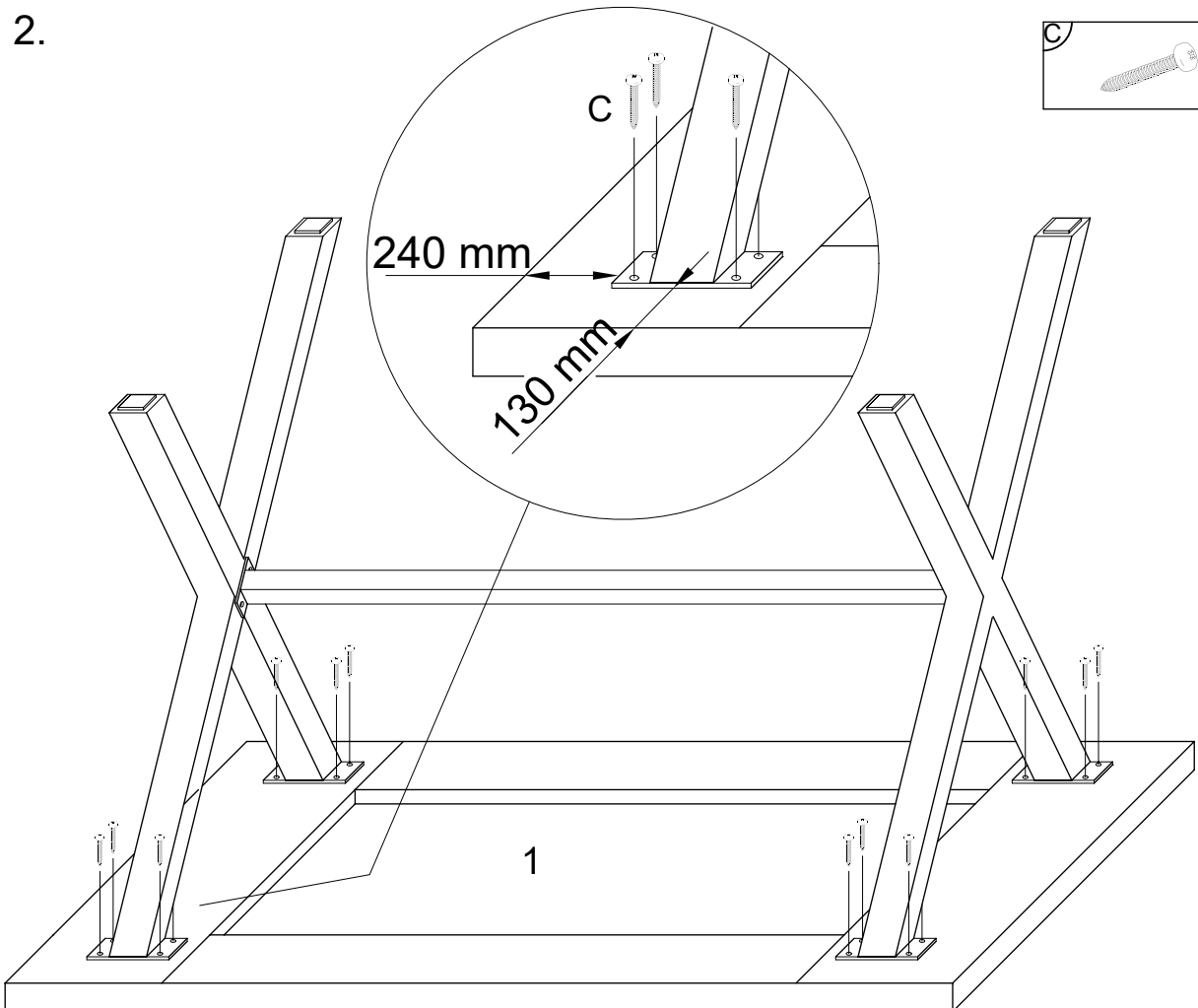
I.

1.



A	M6x12
	4x
B	SW 4
	1x

2.



C	4,5x35
	16x

II.

3.

