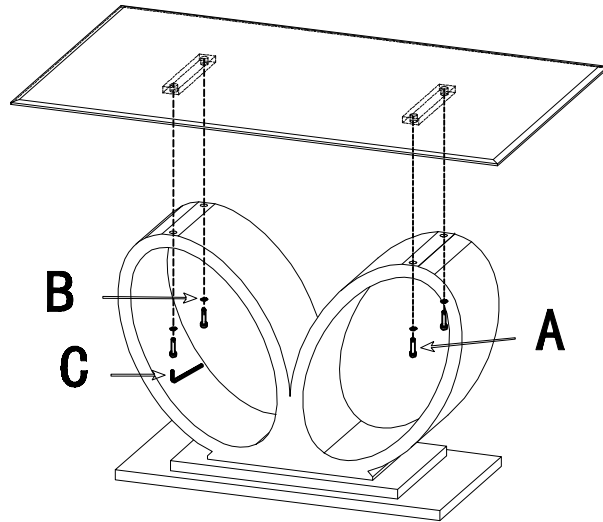
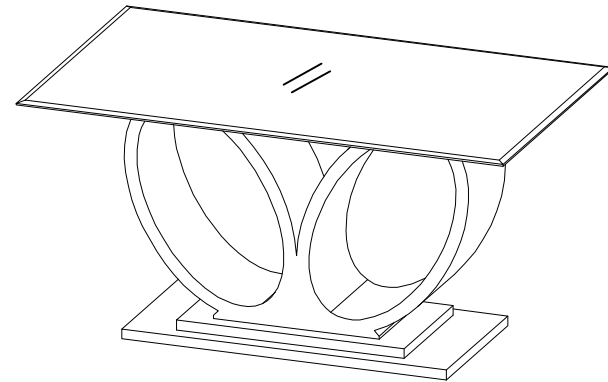


ASSEMBLY INSTRUCTIONS

**STEP 1 : ATTACH TOP WITH THE BASE USE SCREWS (A)
AND WASHER (B) USING ALLEN KEY (C)**



STEP 2 :



A

B

C

4PCS

4PCS

1PC



M8X25L

