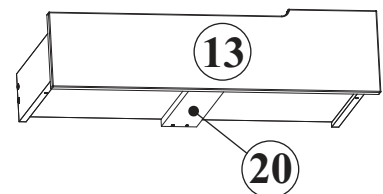
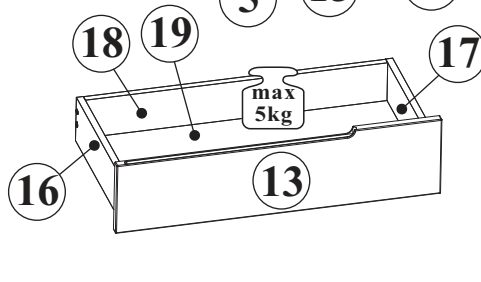
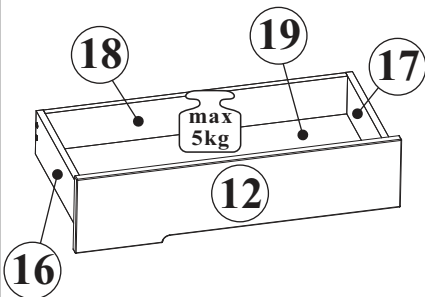
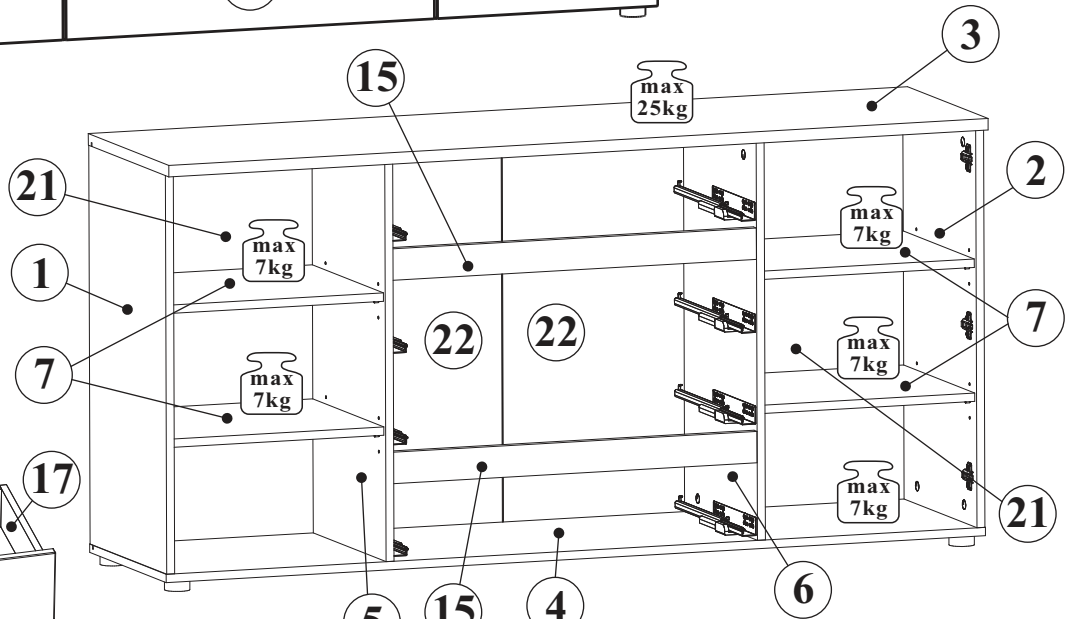
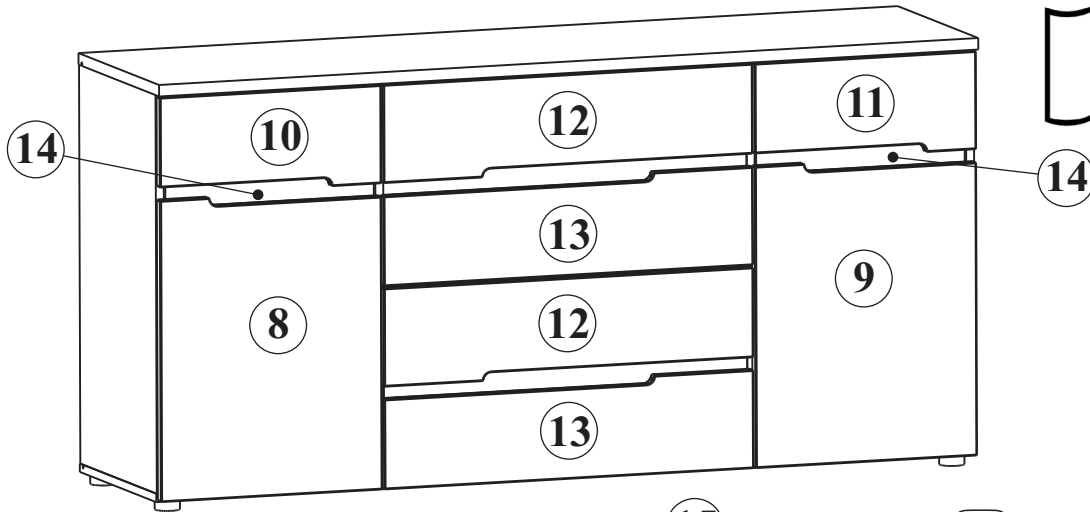
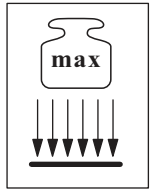
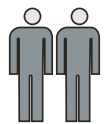


MEMPHIS 1KG6_20

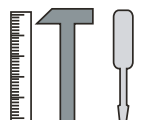


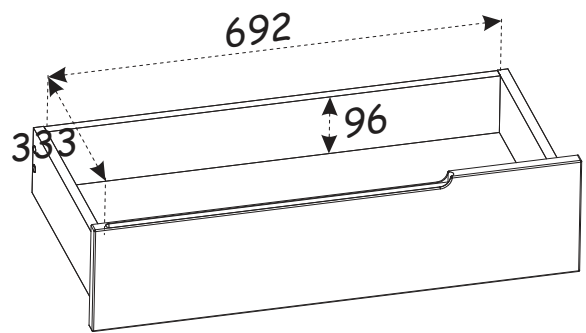
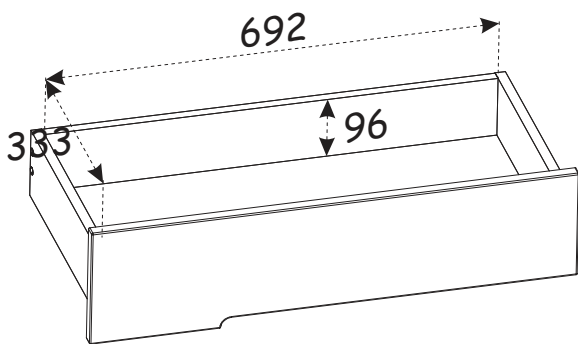
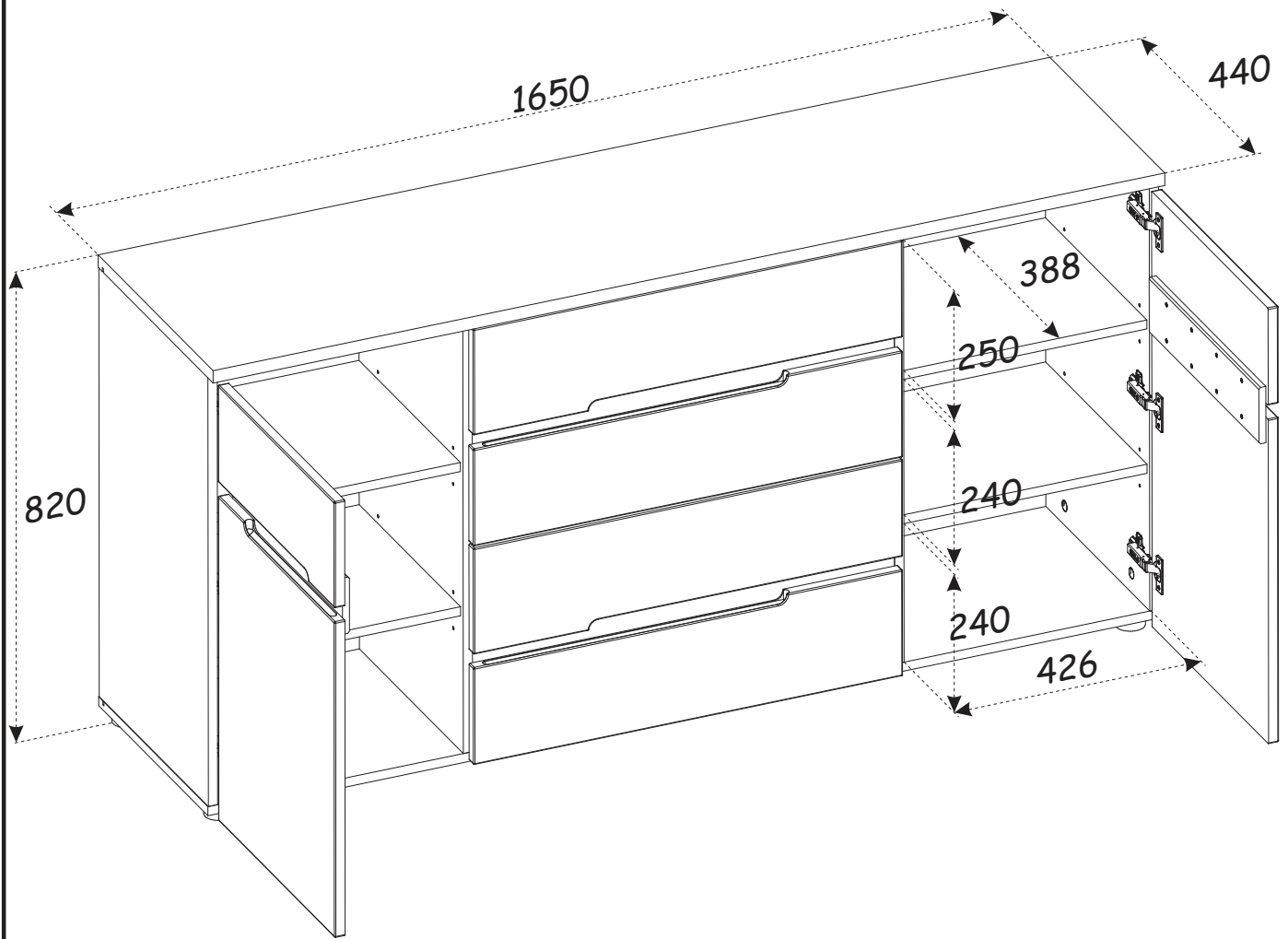
NO	Dim.[mm]			Col.-No	Qty
1	762	418	16	1	1
2	762	418	16	1	1
3	1650	440	22	2	1
4	1650	418	16	2	1
5	762	398	16	1	1
6	762	398	16	1	1
7	426	388	16	1	4
8	446	576	18	3	1
9	446	576	18	3	1
10	446	188	18	3	1
11	446	188	18	3	1
12	744	188	18	3	2
13	744	188	18	3	2
14	420	100	12	2	2

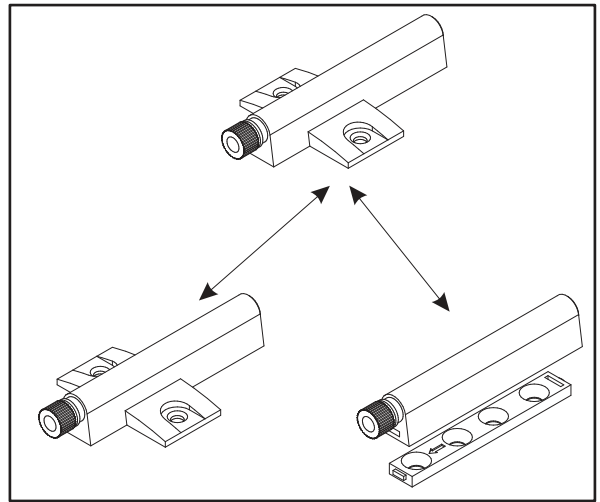
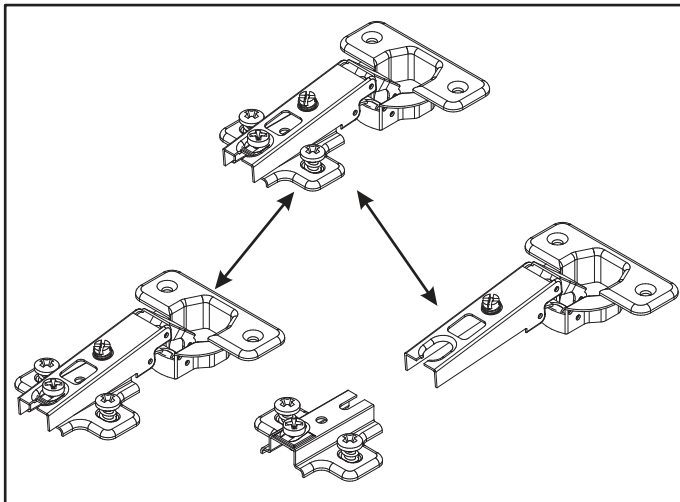
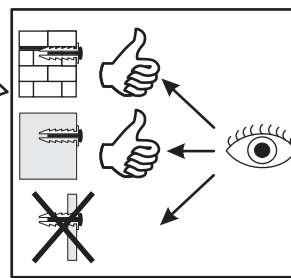
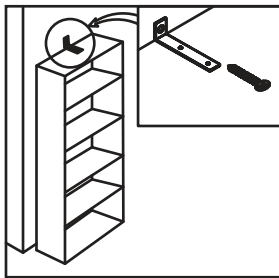
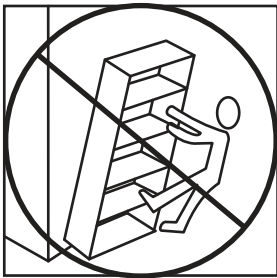
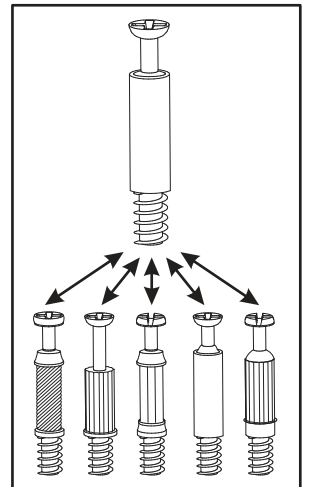
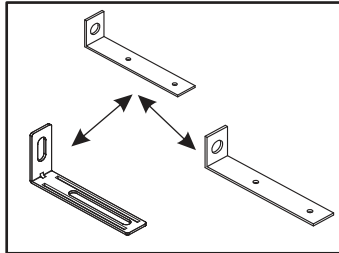
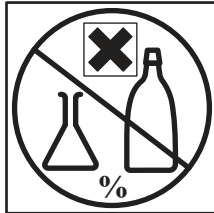
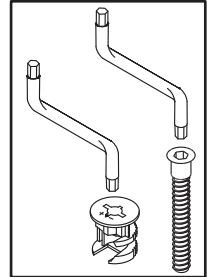
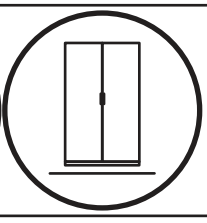
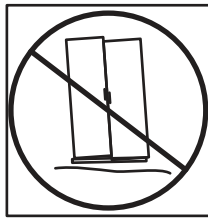
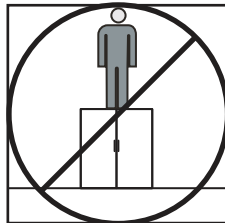
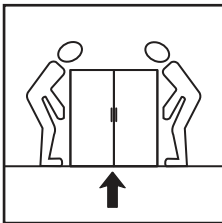
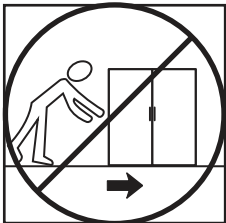
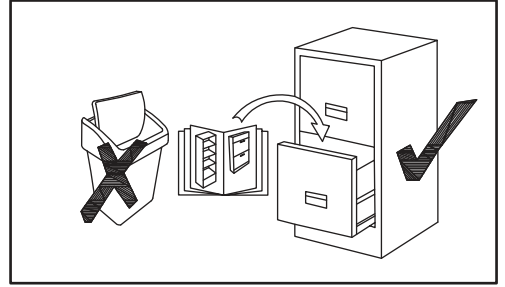
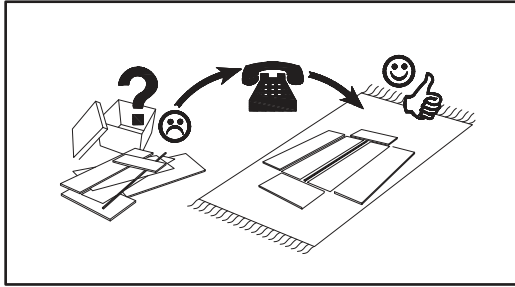
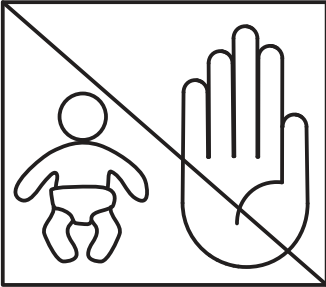
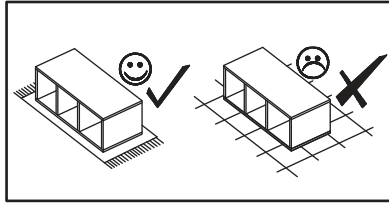
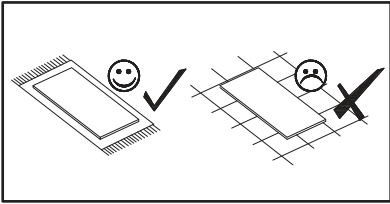
NO	Dim.[mm]			Col.-No	Qty
15	732	60	16	3	2
16	350	110	16	2	4
17	350	110	16	2	4
18	692	96	16	2	4
19	354	704	3	3	4
20	350	80	16	1	4
21	774	439	3	3	2
22	774	372	3	3	2



180 min

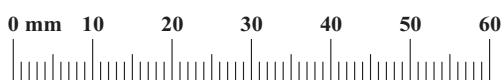
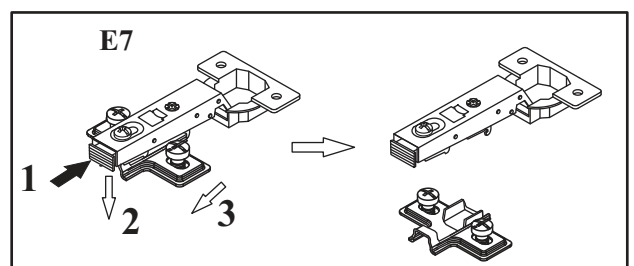
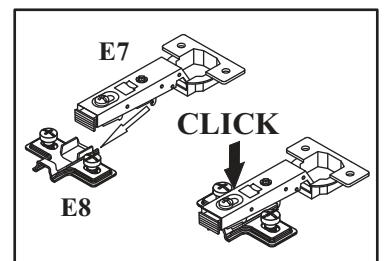




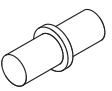
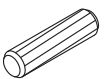

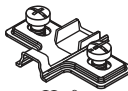


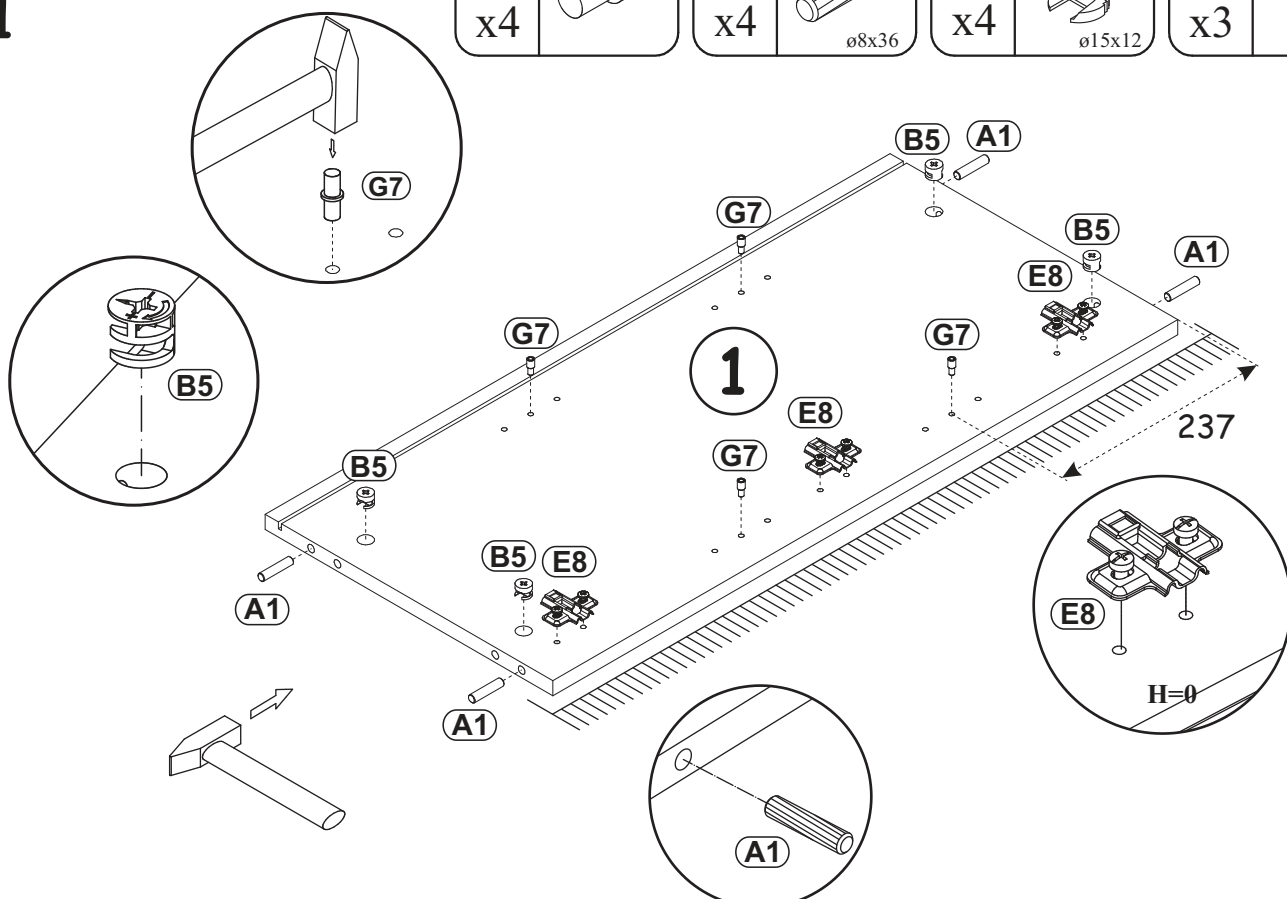
MEMPHIS 1KG6_20

A1 x36 ø8x36	B4 x28	B5 x28 ø15x12	G5 x24	B11 x16 Ø7x50	G4 x16
E7 x6 Ø35 H=0	E8 x6 H=0	QU x4 L-350	I18 x6 Ø48, h=20	G7 x16	S1 x28
D20 X16 ESØ6,3x9,5	D10 x30 USØ3,5x13	UP17 x16 UPØ4x25	UP13 x26 UPØ3x16	UP6 x8 UPØ4x30	G16 x10
L1 x1	KR1 x1	G2 x1			

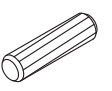
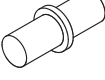




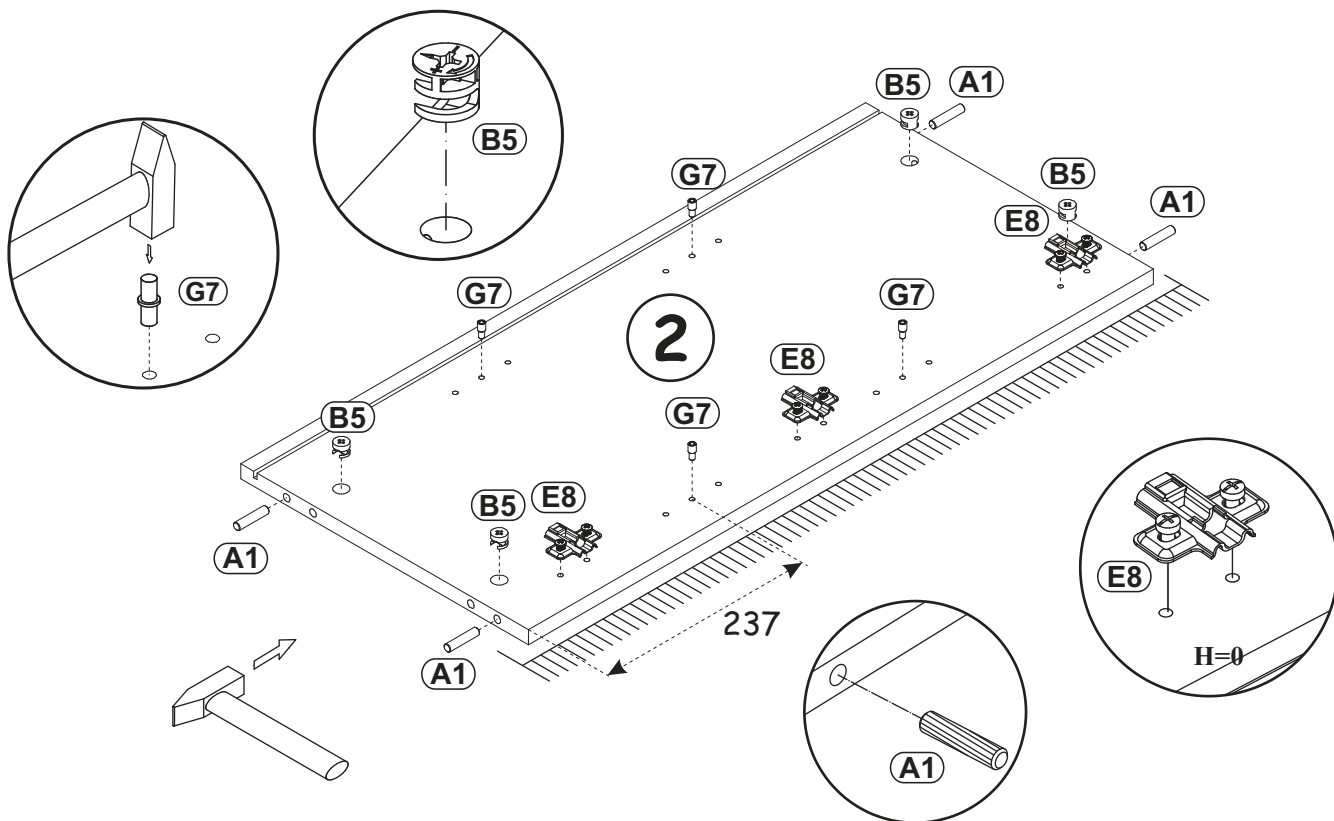
1

G7		A1		B5		E8	
x4		x4	ø8x36	x4	ø15x12	x3	H=0

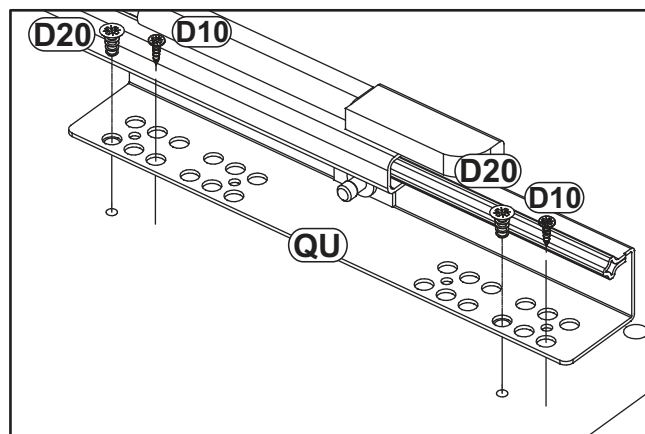
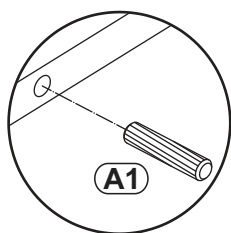
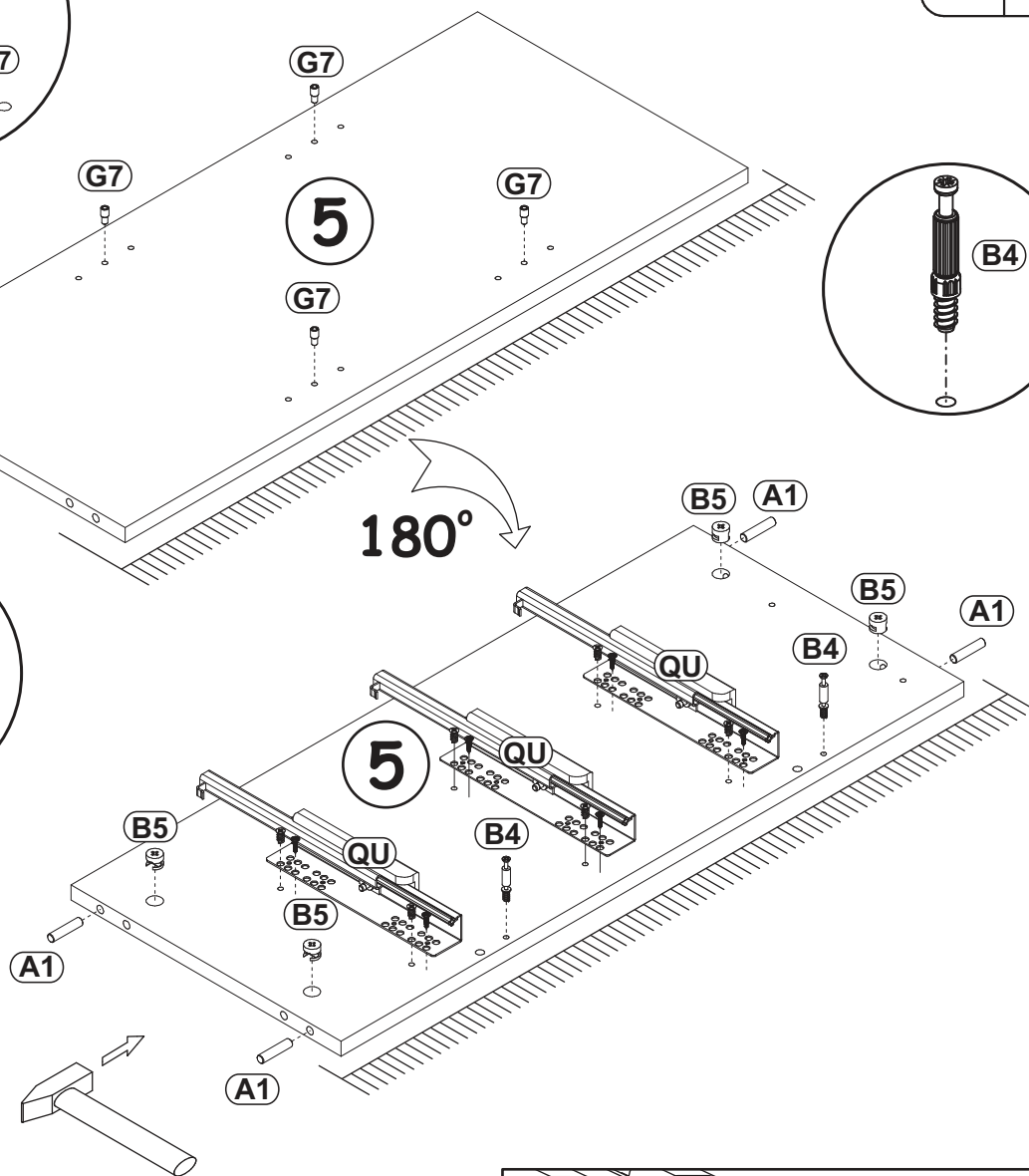
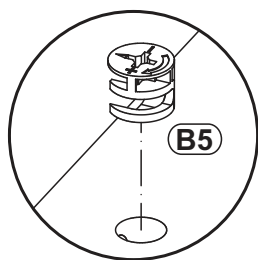
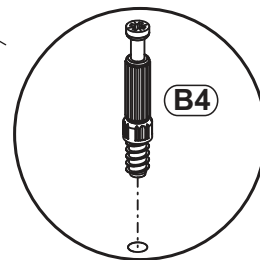
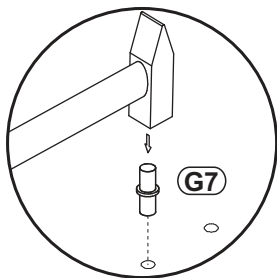
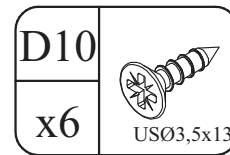
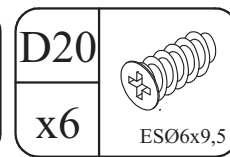
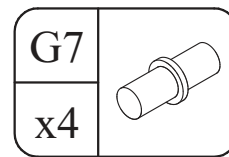
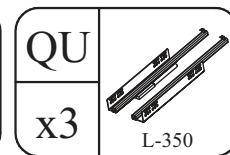
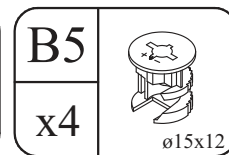
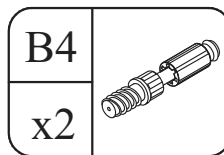
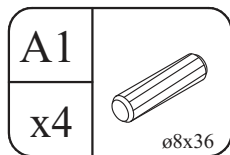


2

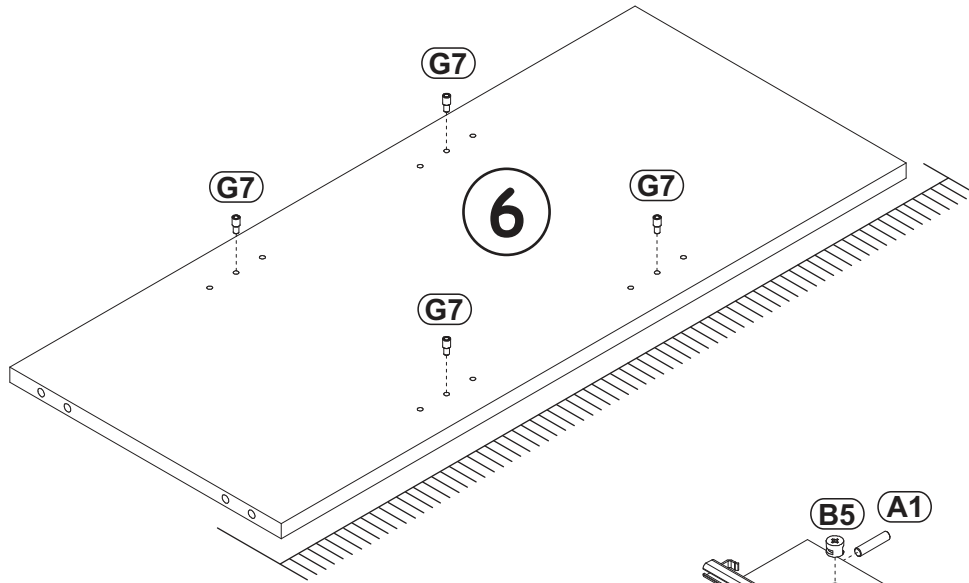
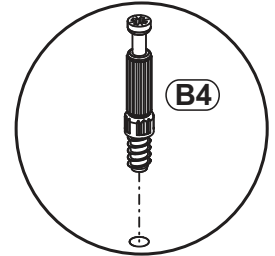
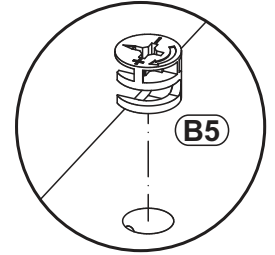
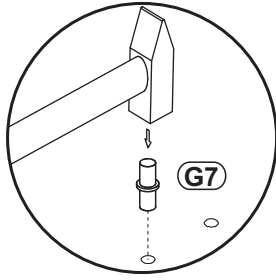
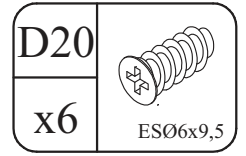
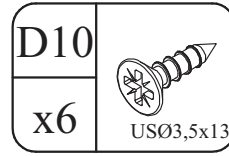
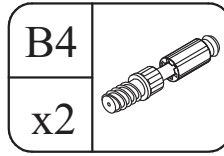
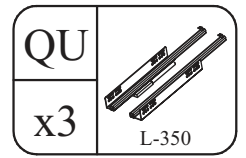
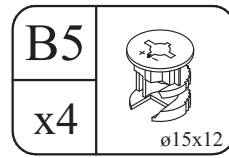
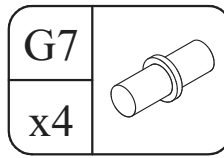
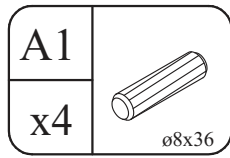
A1		G7		B5		E8	
x4	ø8x36	x4		x4	ø15x12	x3	H=0



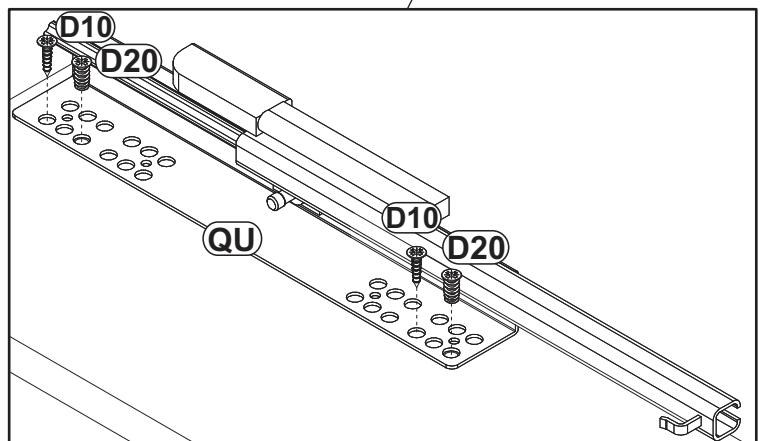
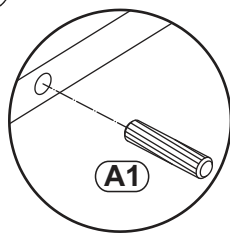
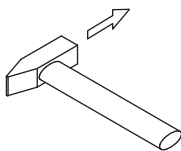
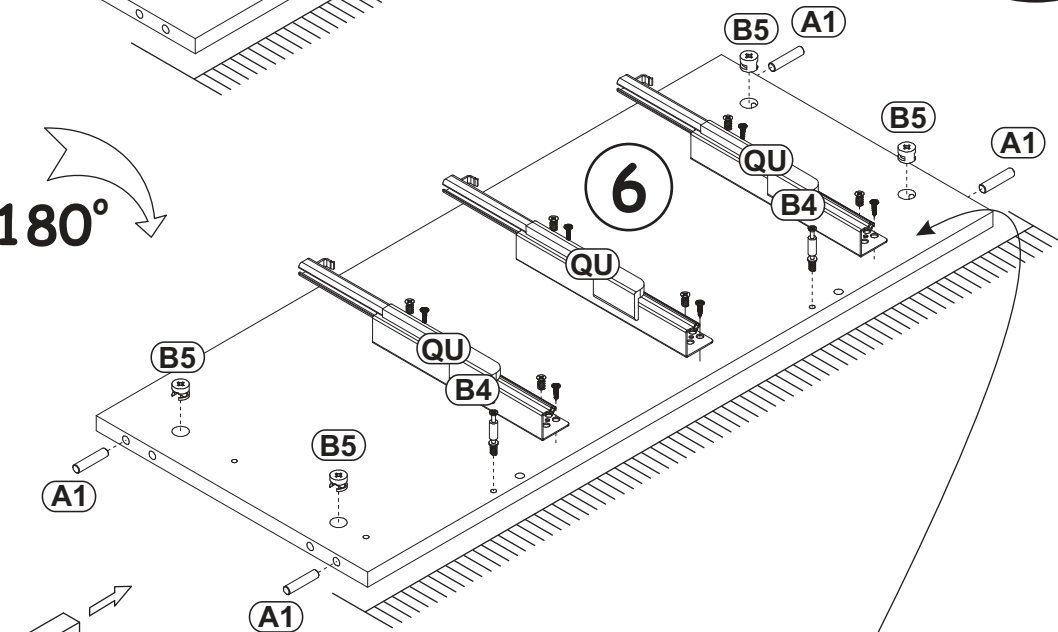
3



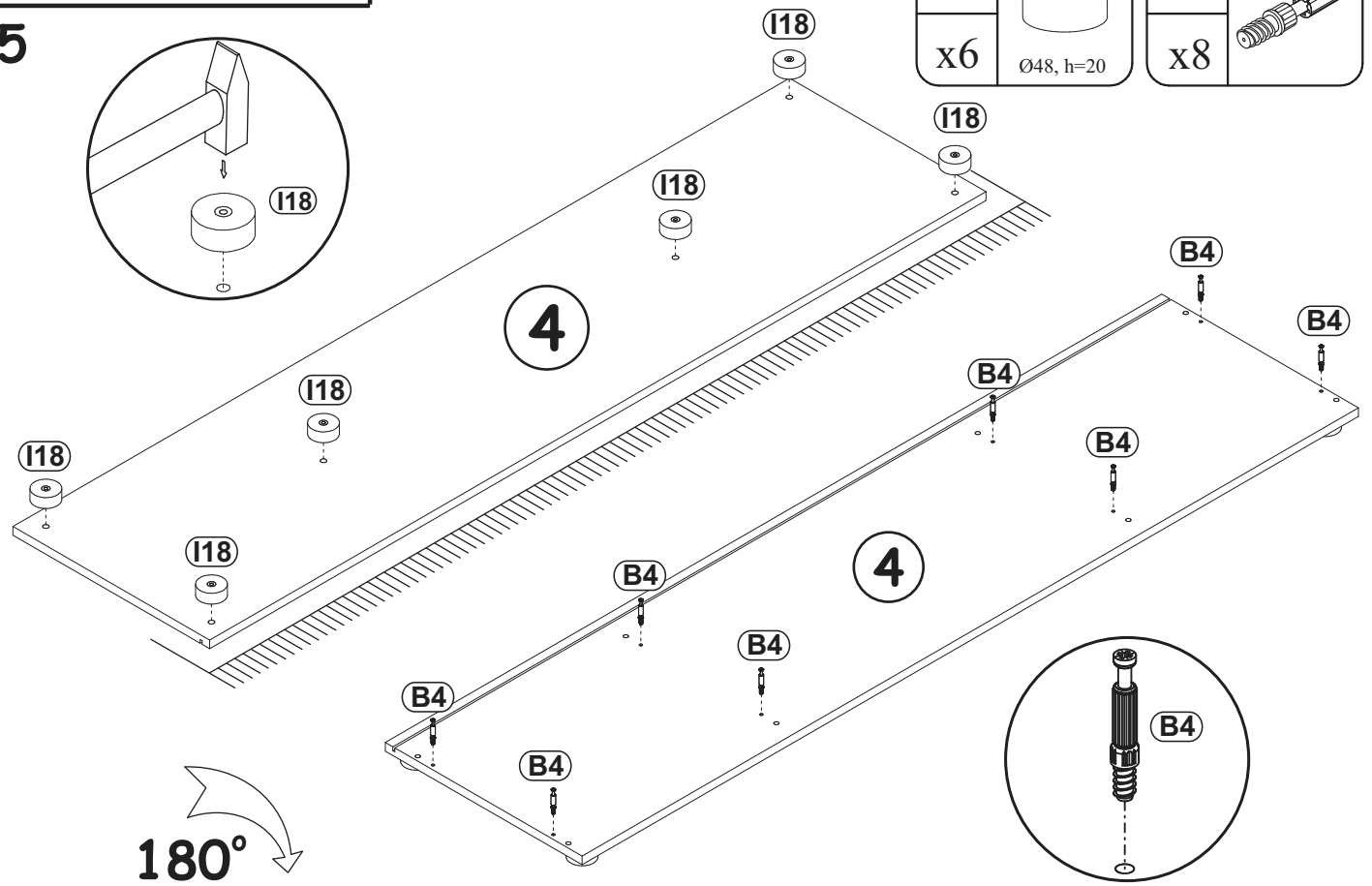
4



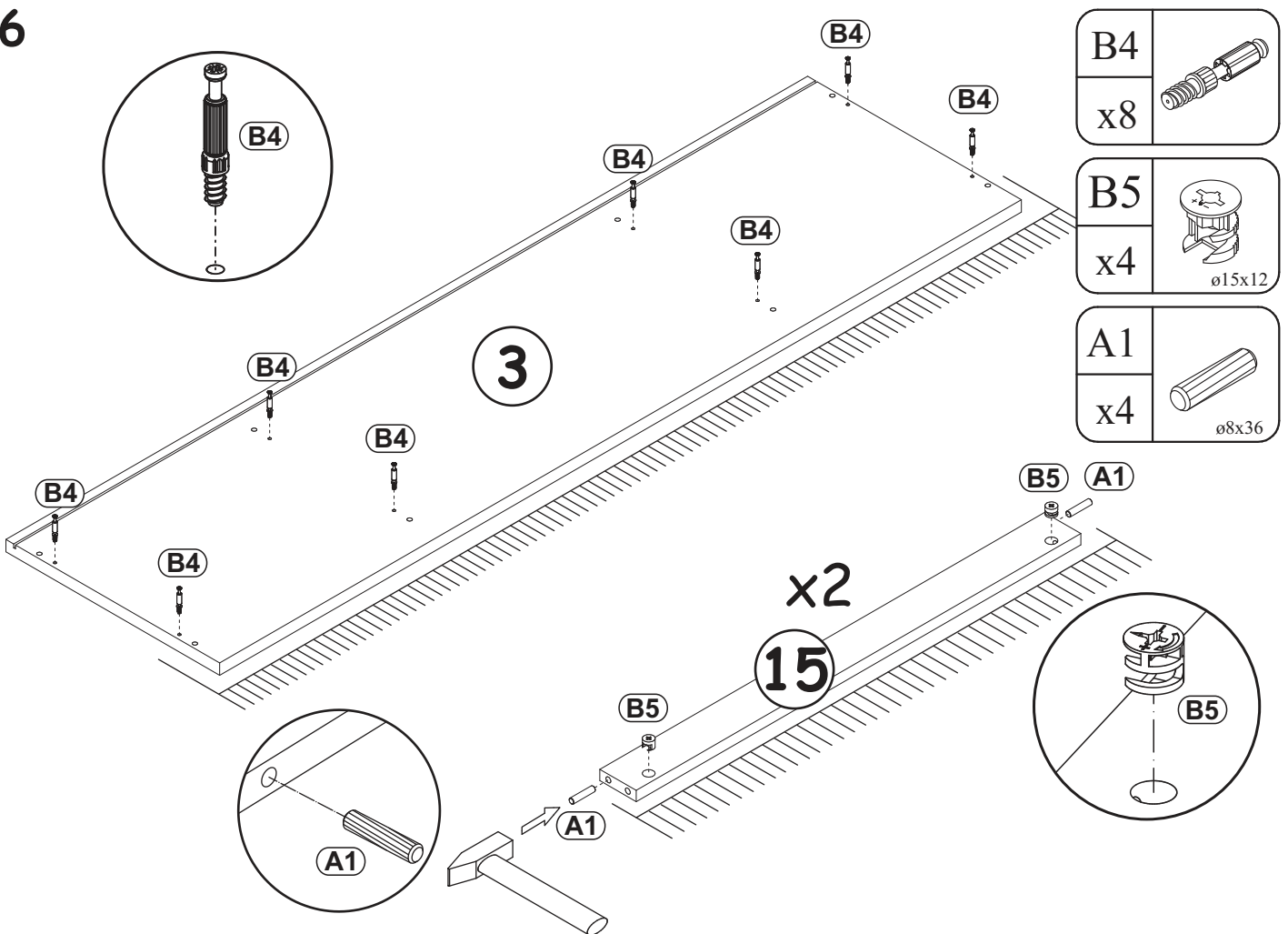
180°

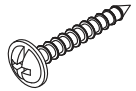


5

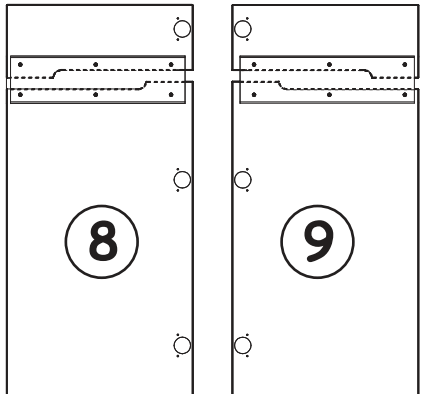
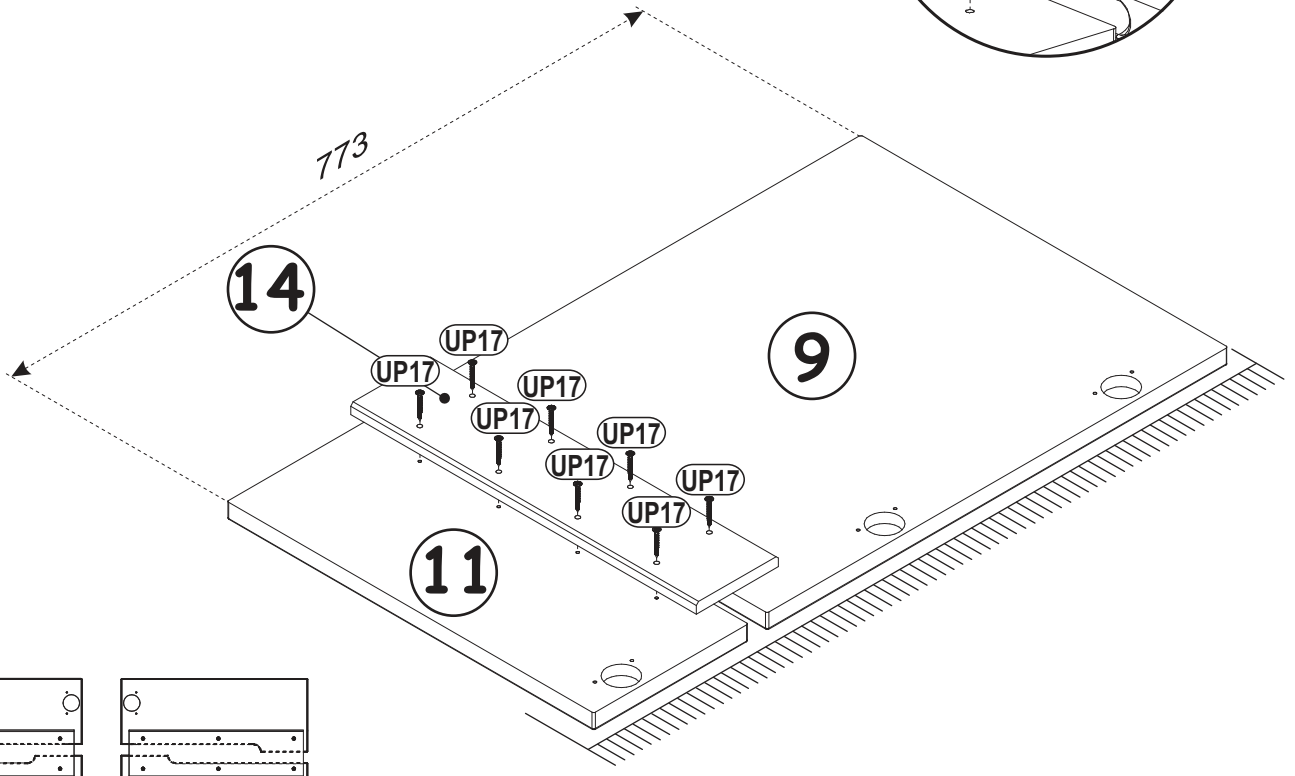
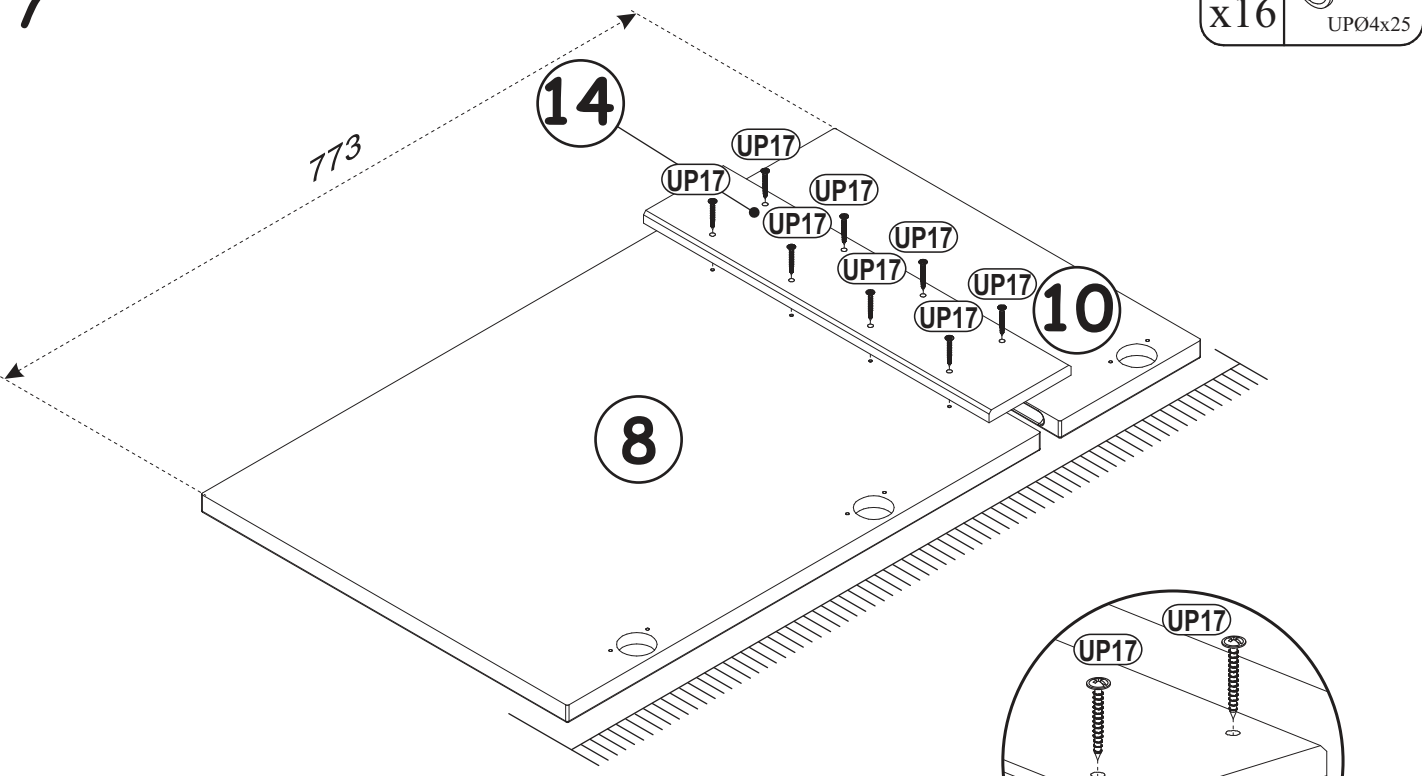


6

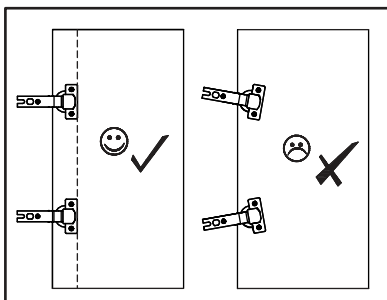
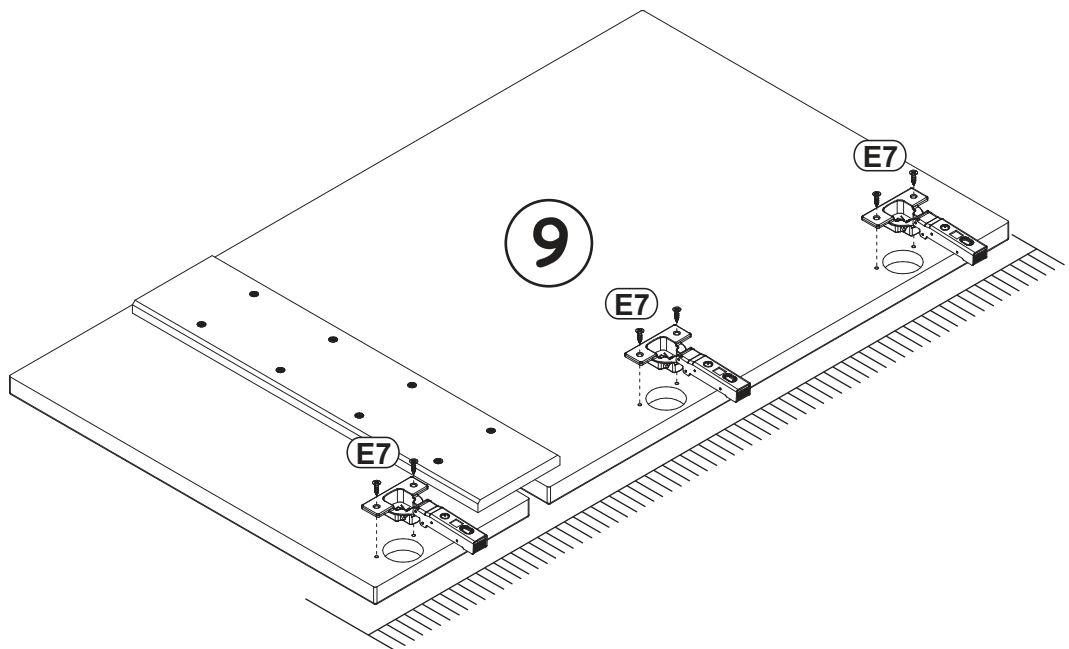
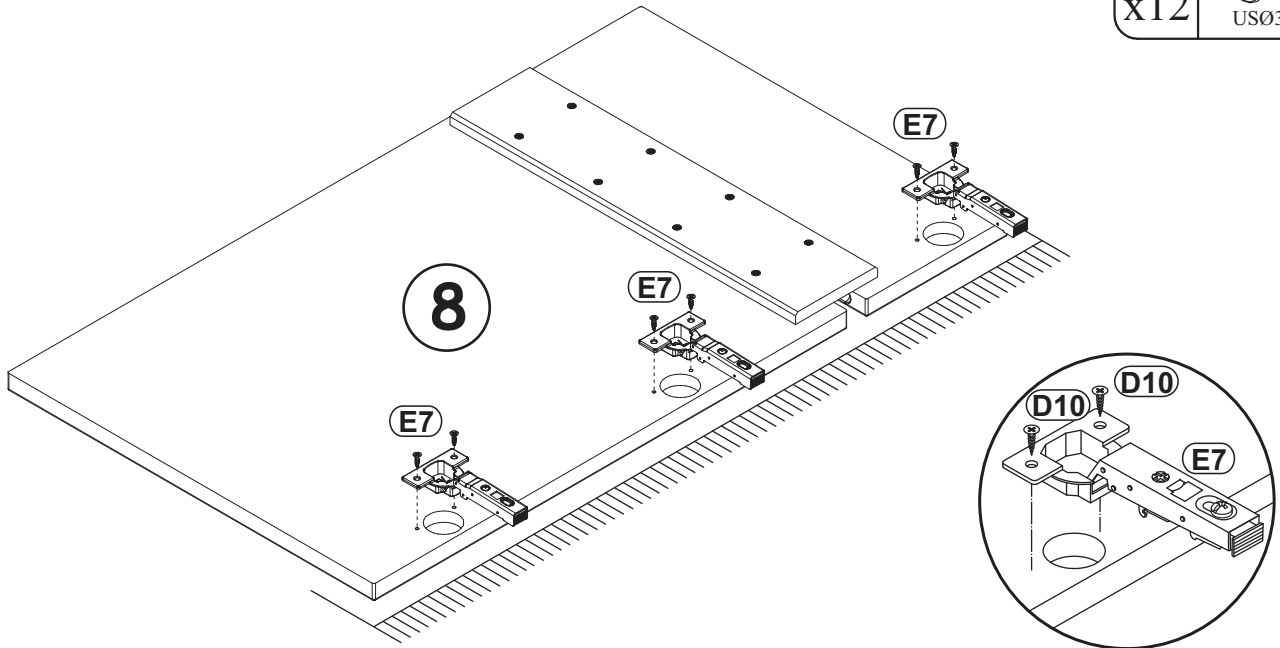
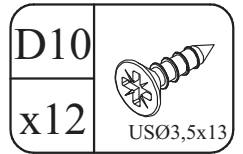
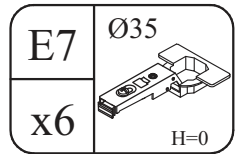


UP17	
x16	UPØ4x25

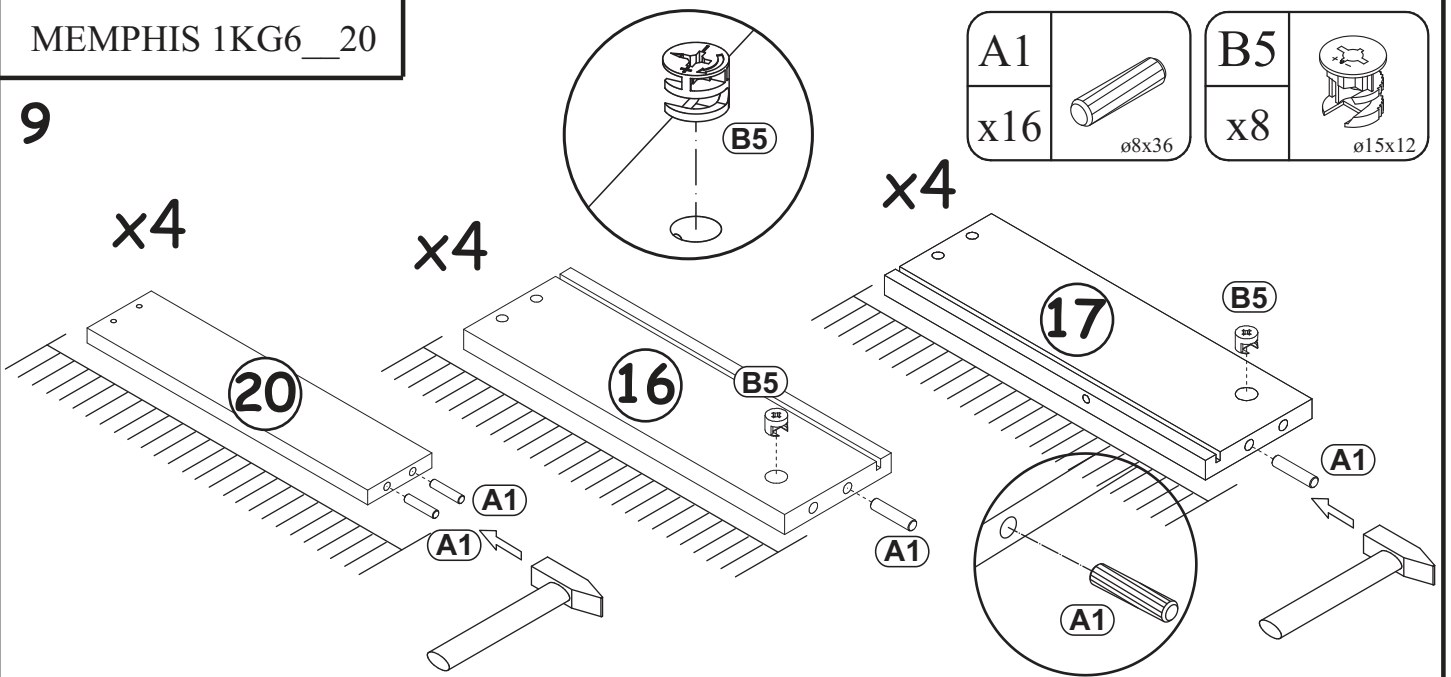
7



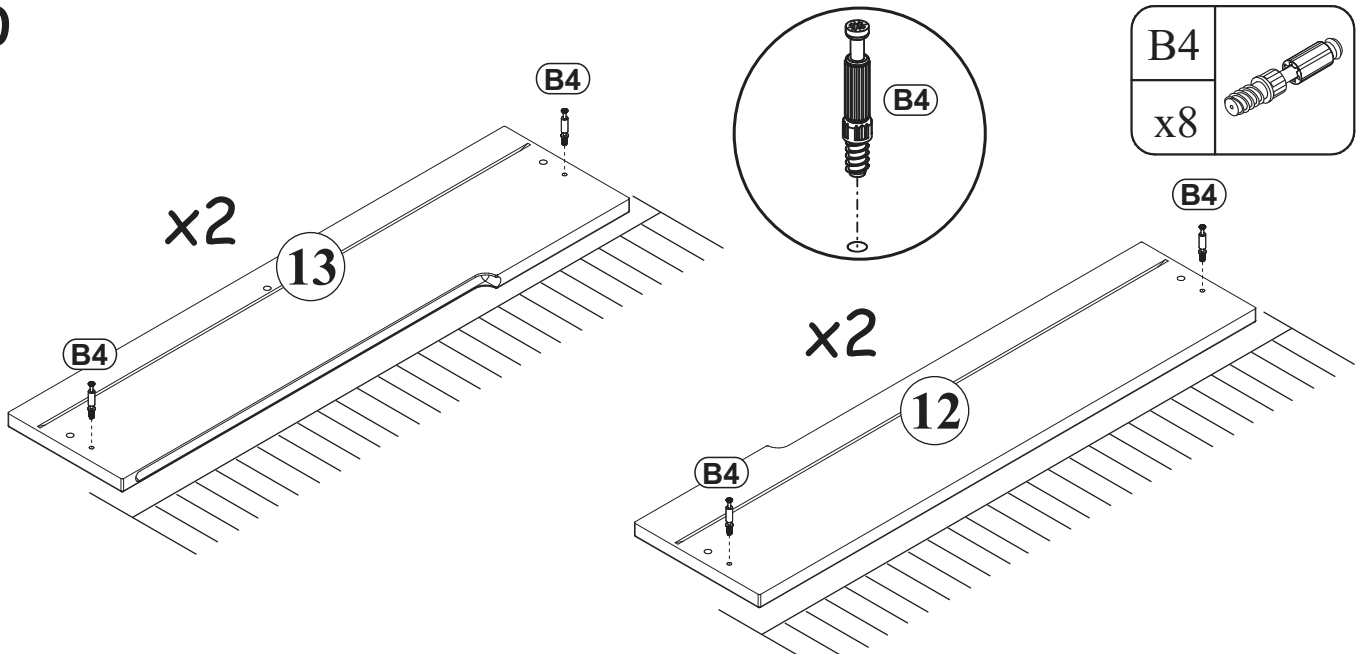
8



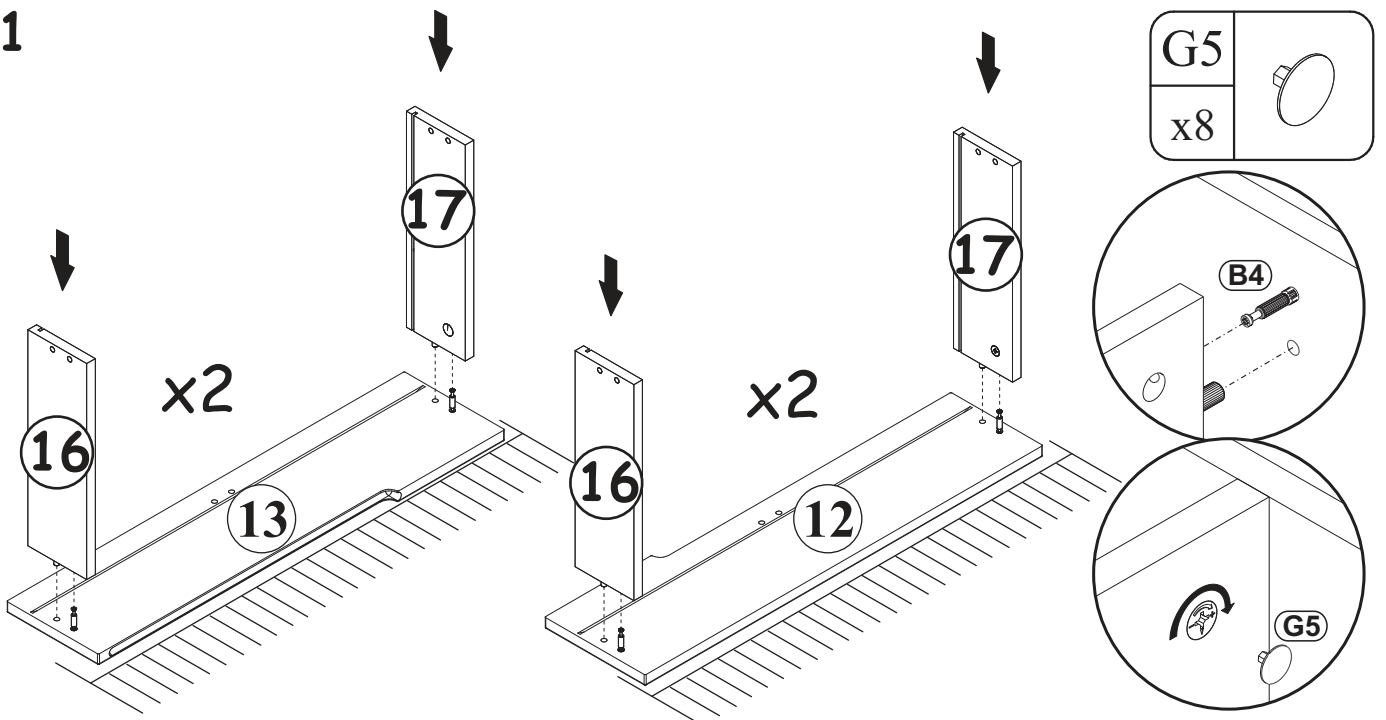
9



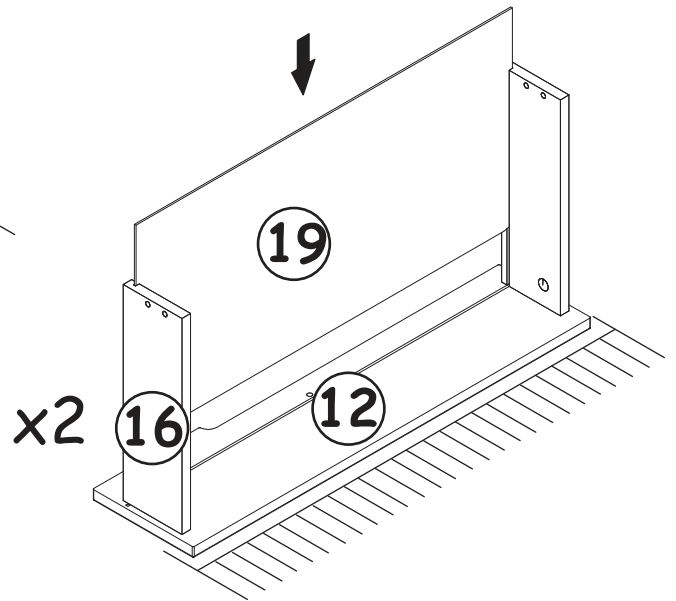
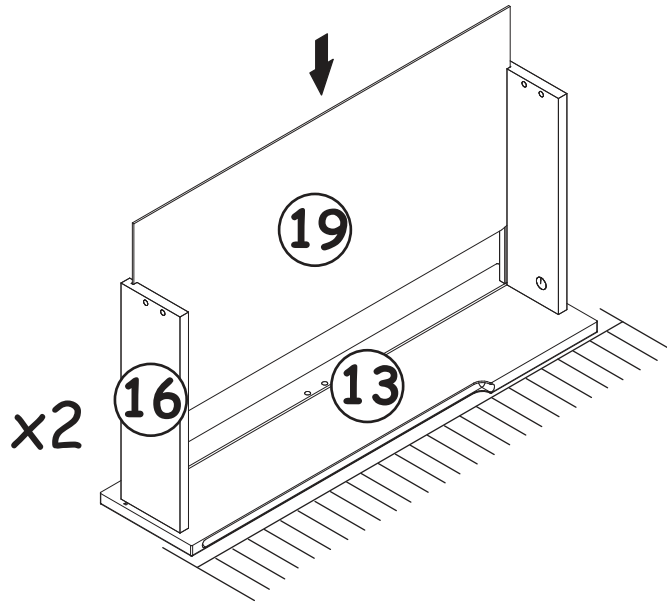
10



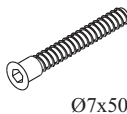

11

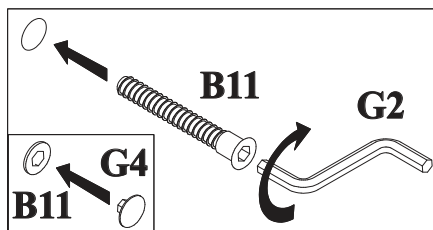
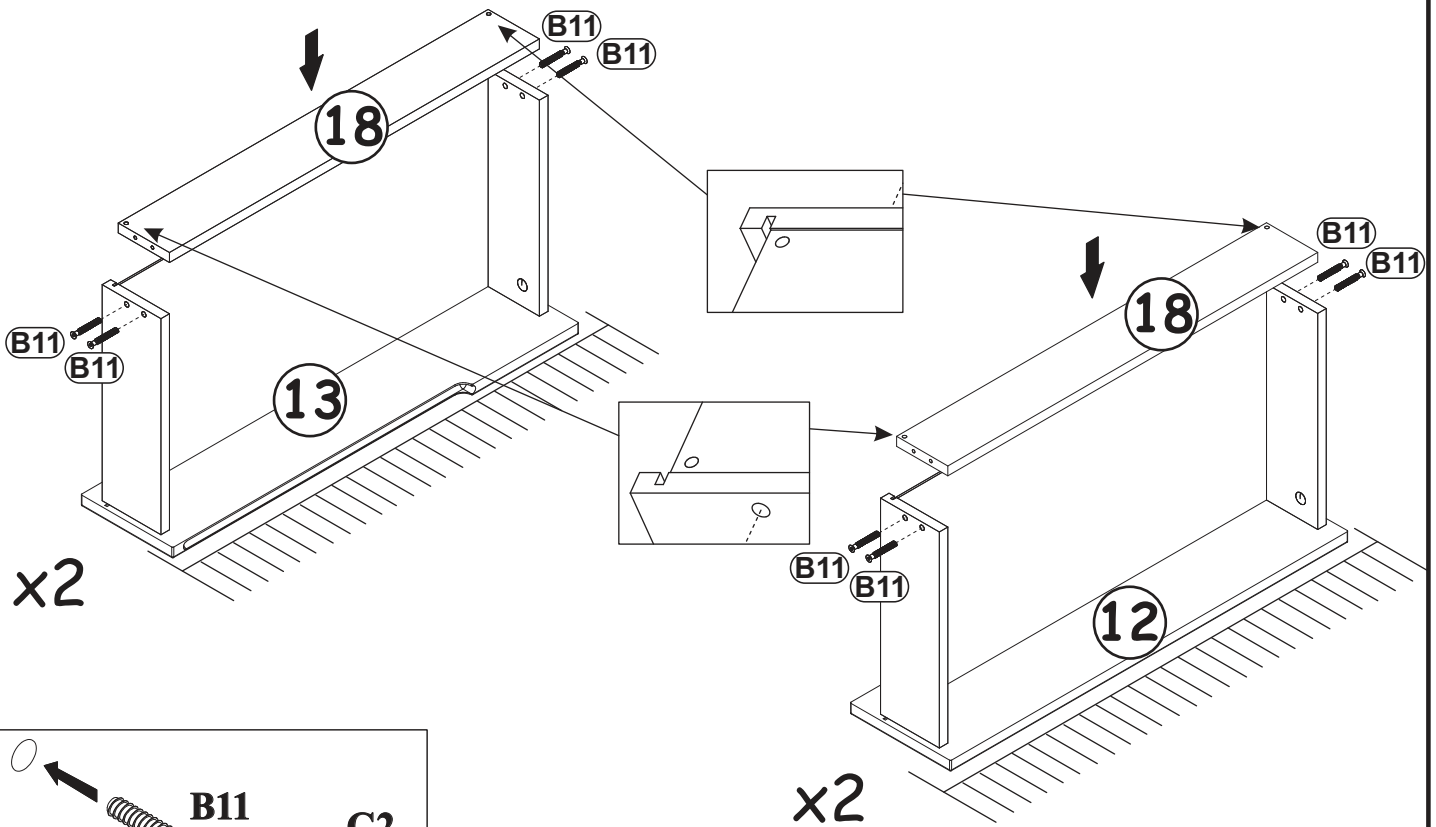


12

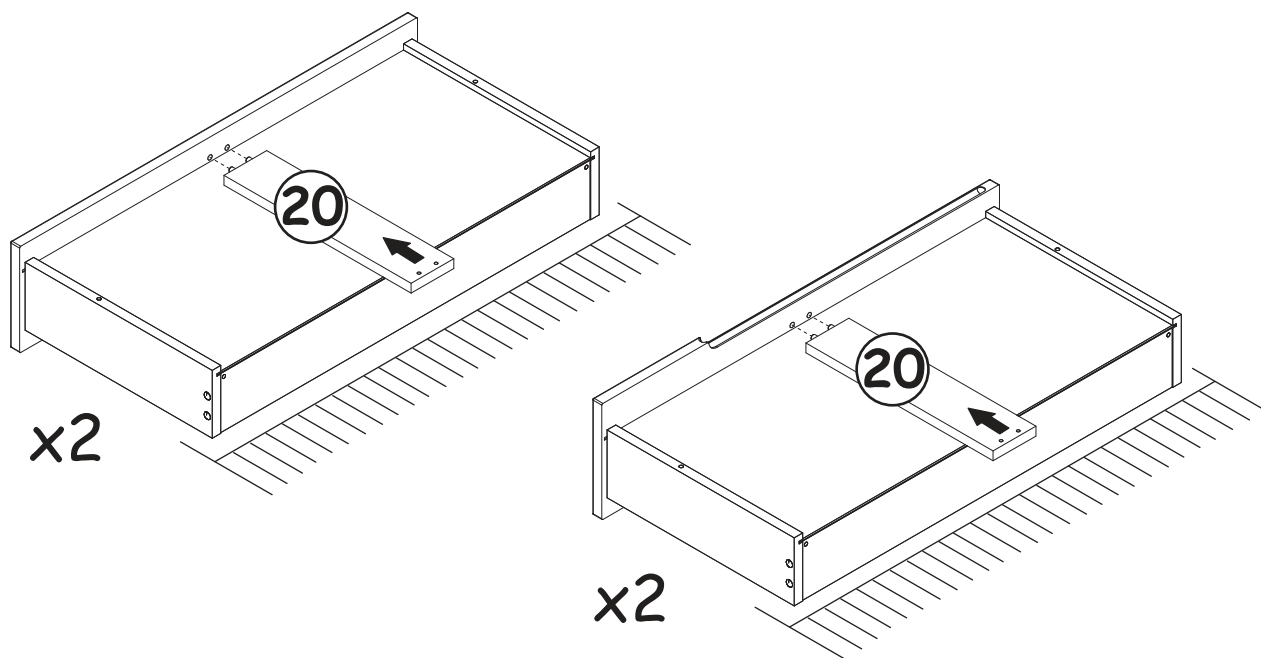


13

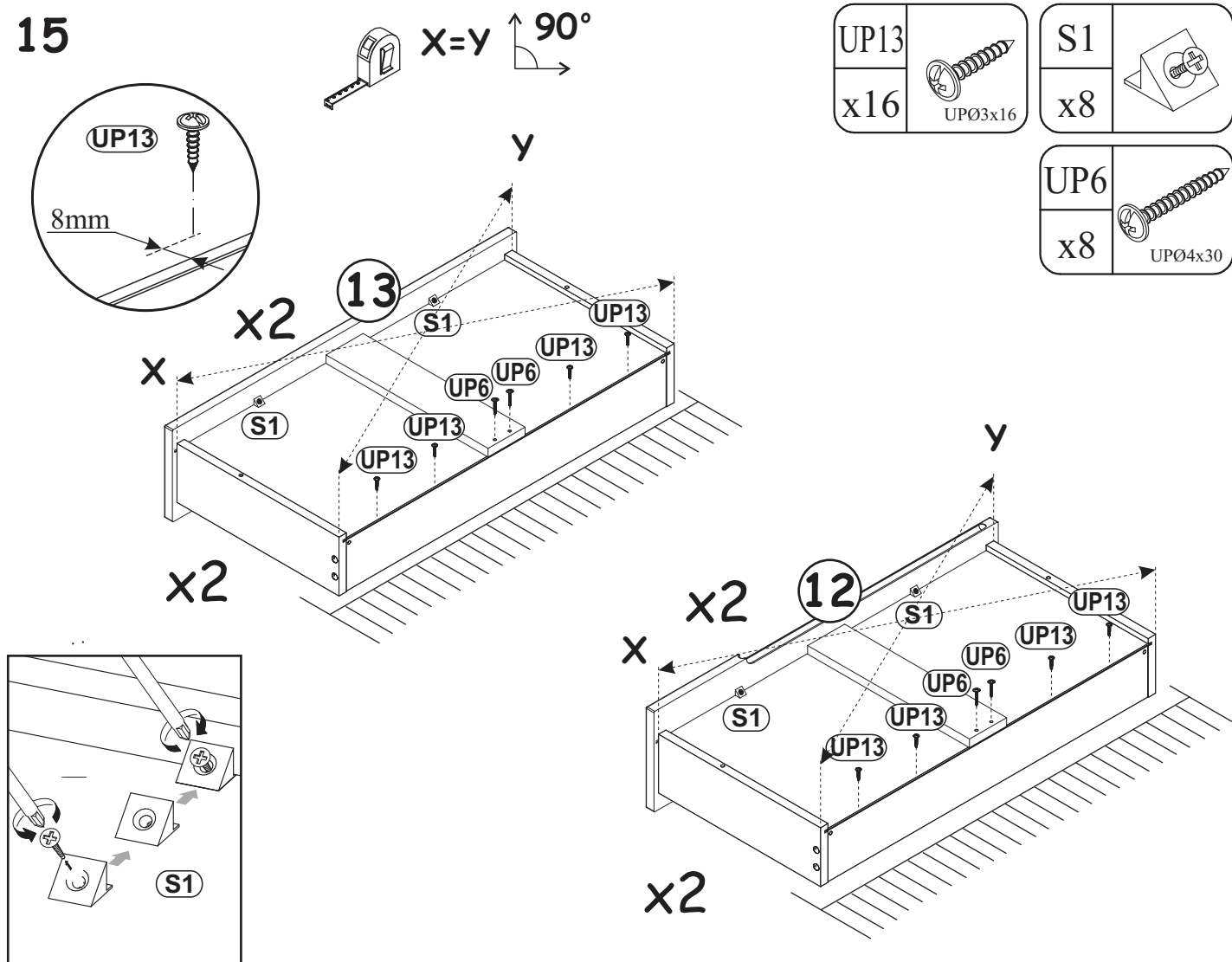
B11		G4	
x16	Ø7x50	x16	




14

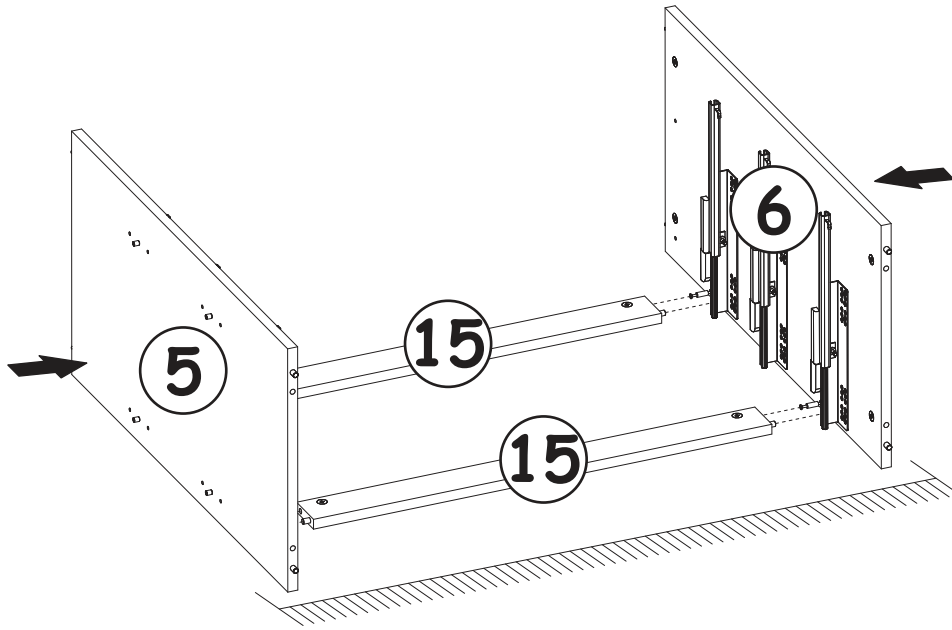


15

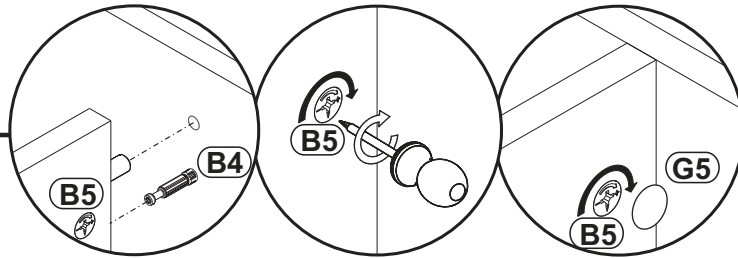



16

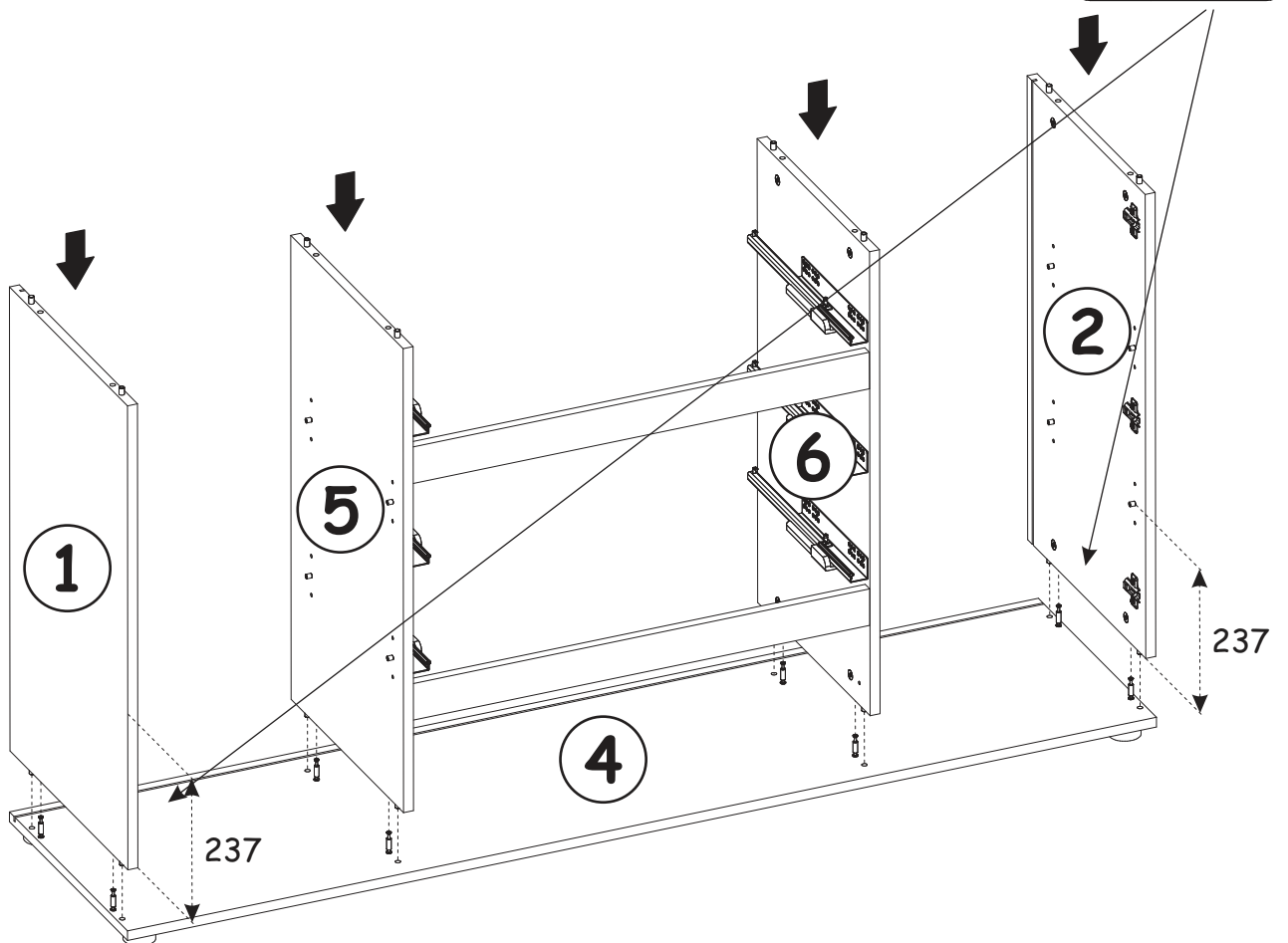
G5	
x4	



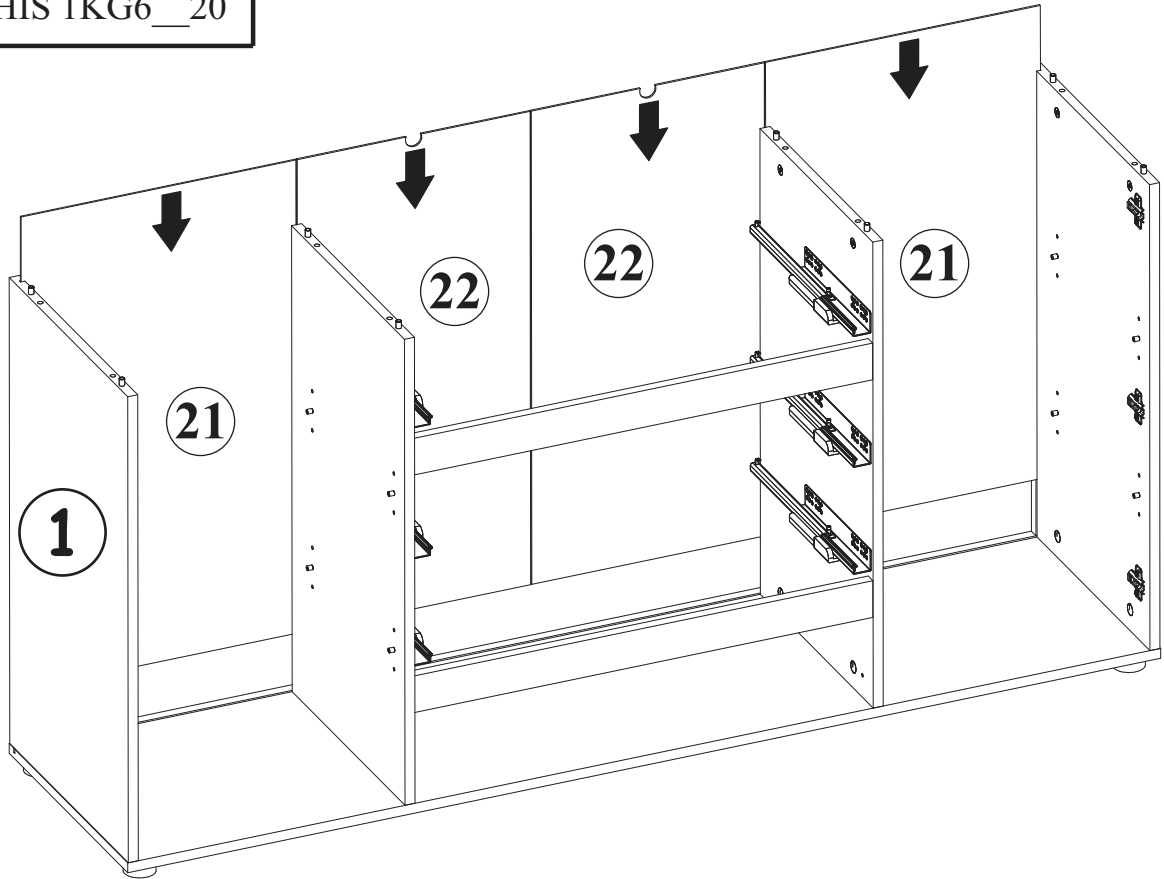
17



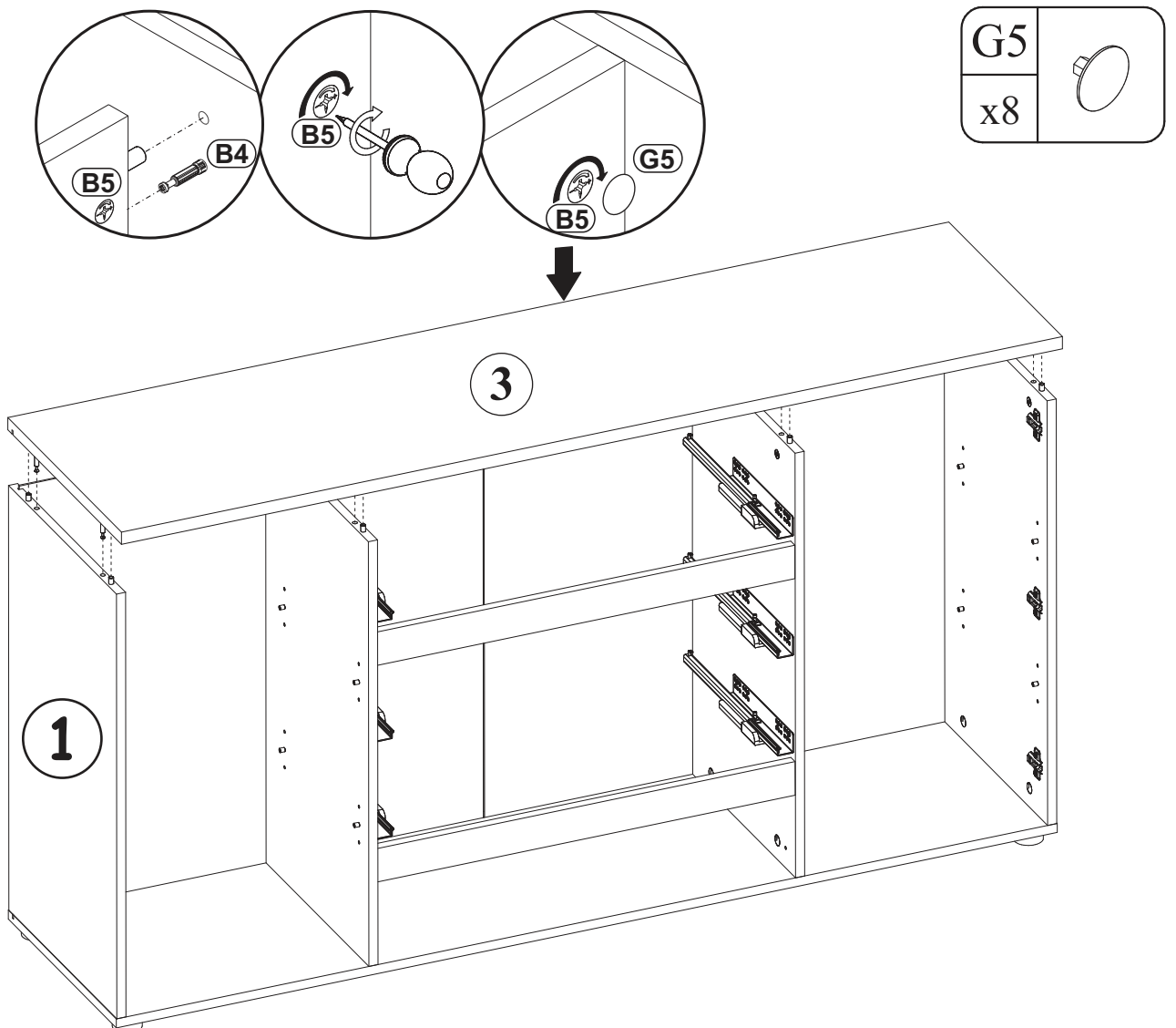
G5	
x4	



18


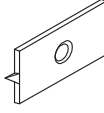
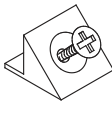


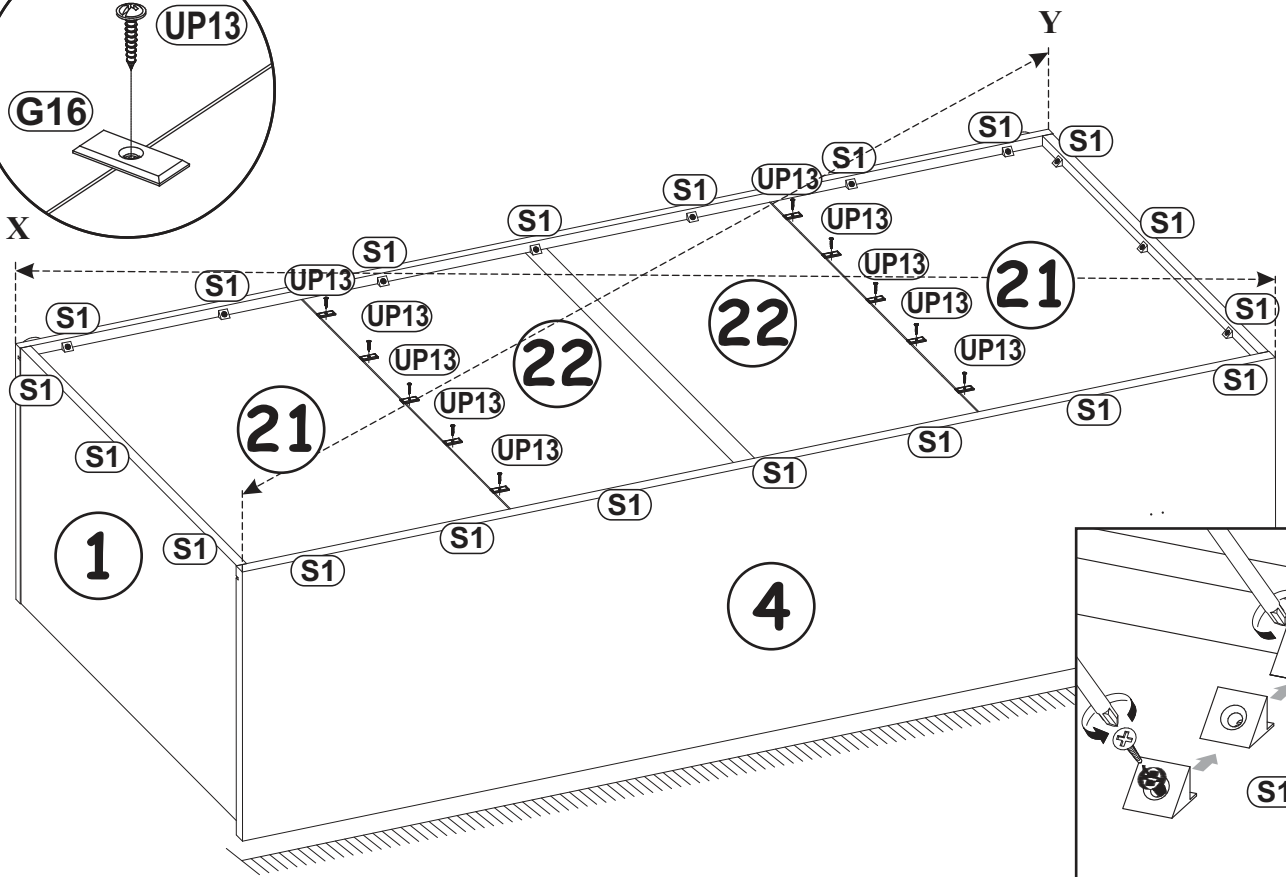
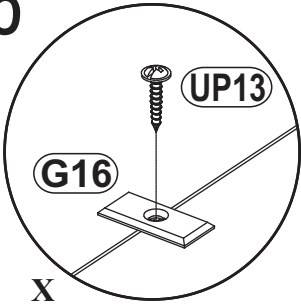
19






20

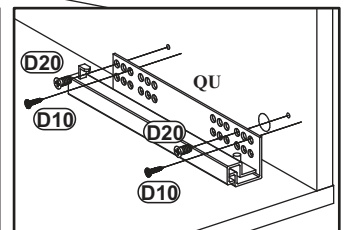
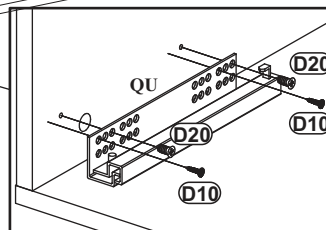
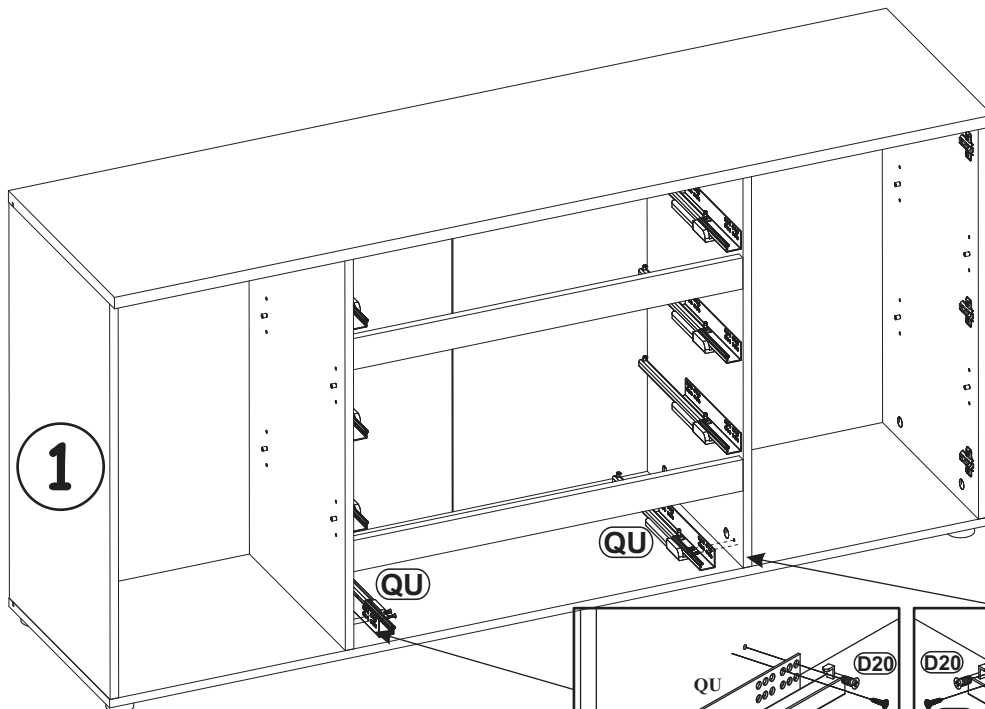


UP13 x10	 UPØ3x16	G16 x10		S1 x20	
-------------	---	------------	---	-----------	---

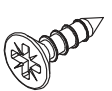
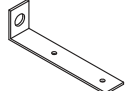



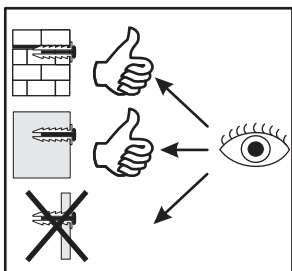
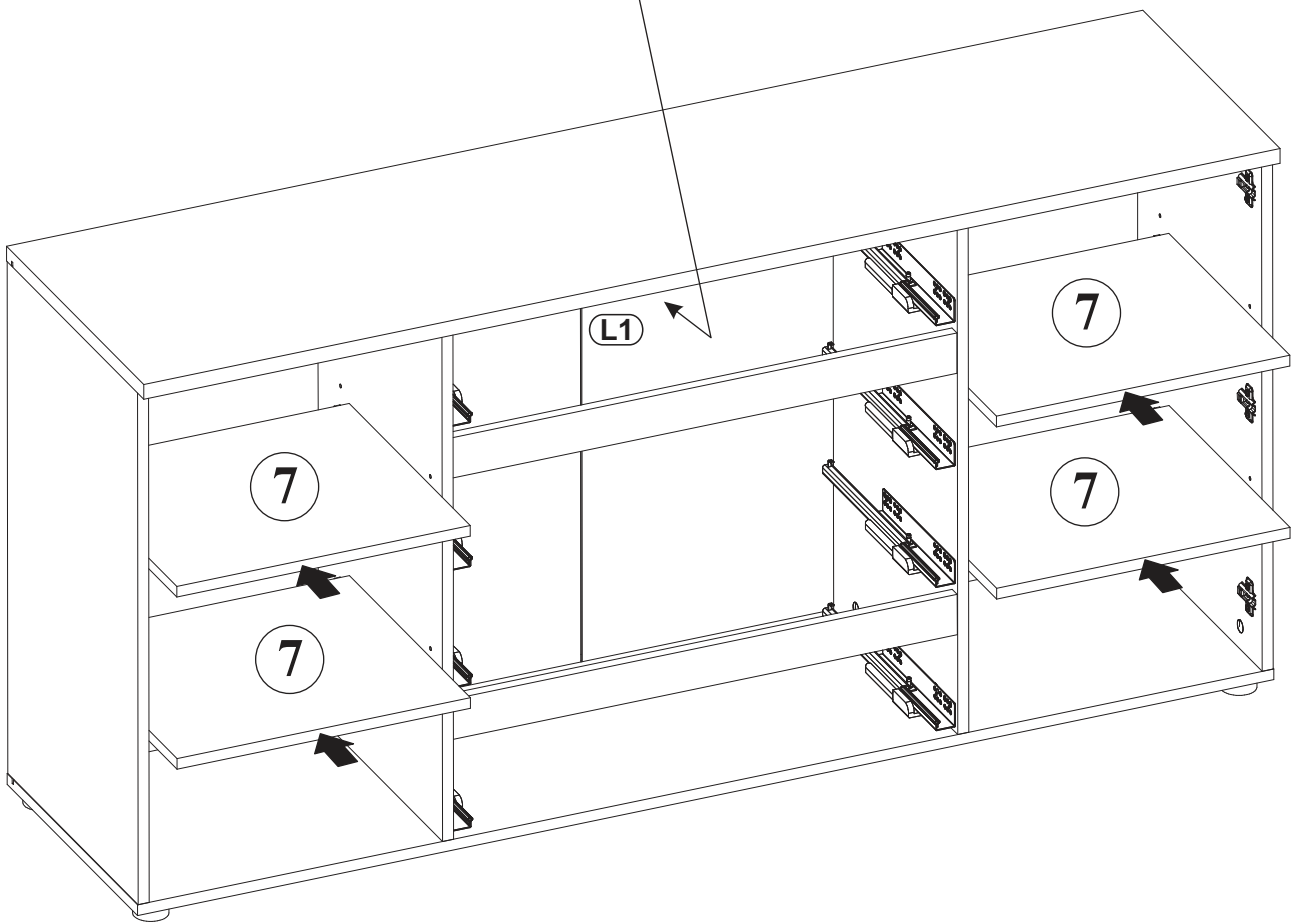
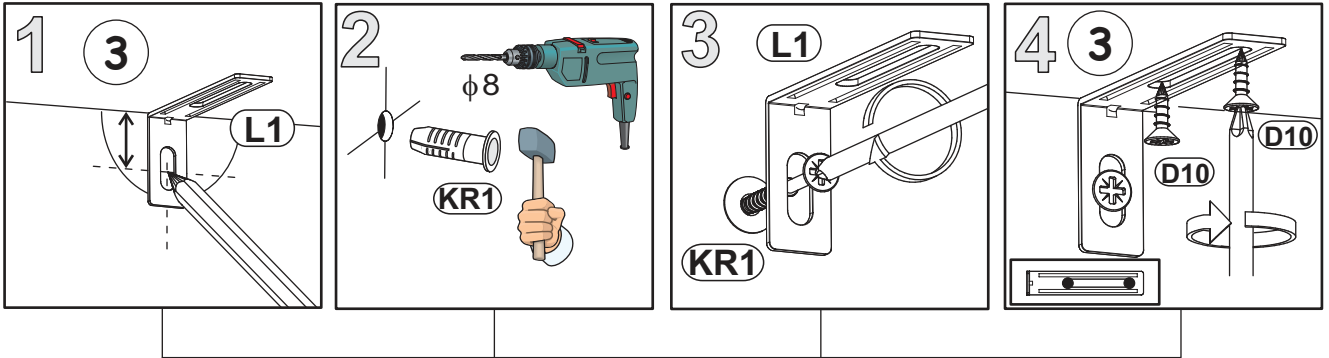
21

D20 x4	 ESØ6x9,5	D10 x4	 USØ3,5x13	QU x1	 L-300
-----------	--	-----------	--	----------	--

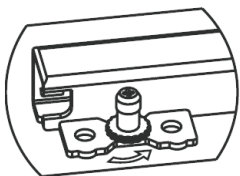
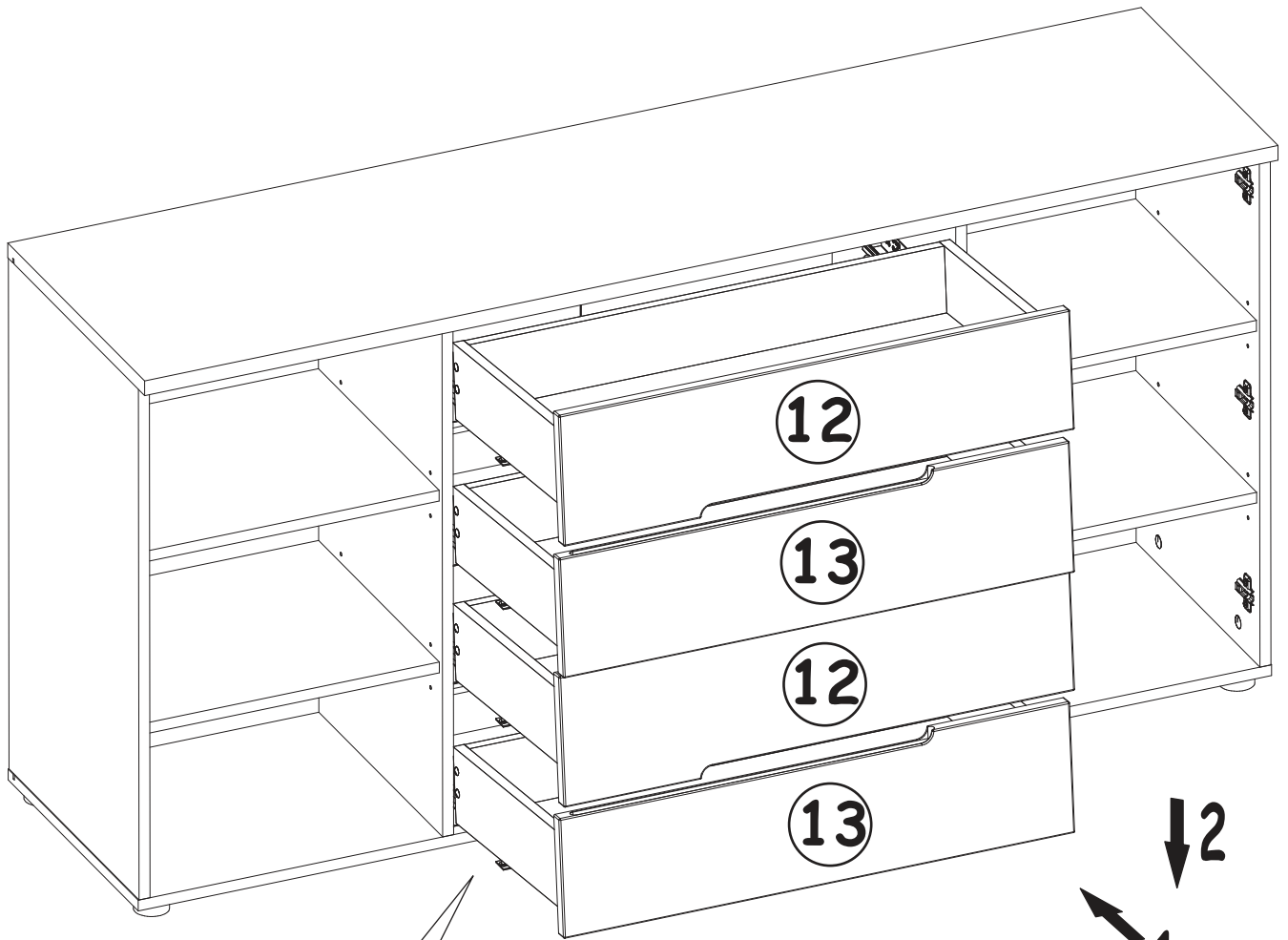


22

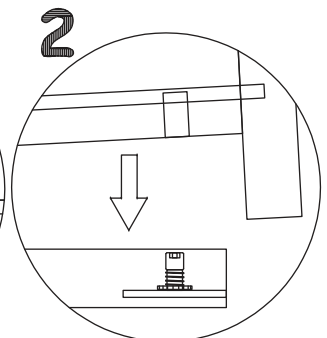
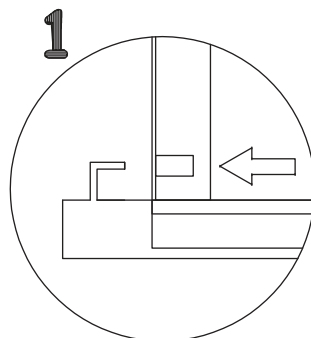
D10		L1		KR1	
x2	USØ3,5x13	x1		x1	



23



↑ +4 mm



24

