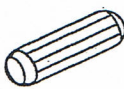
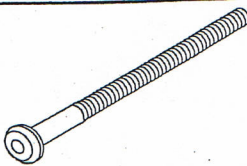




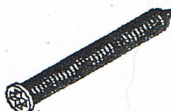
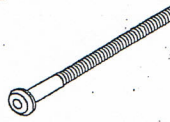

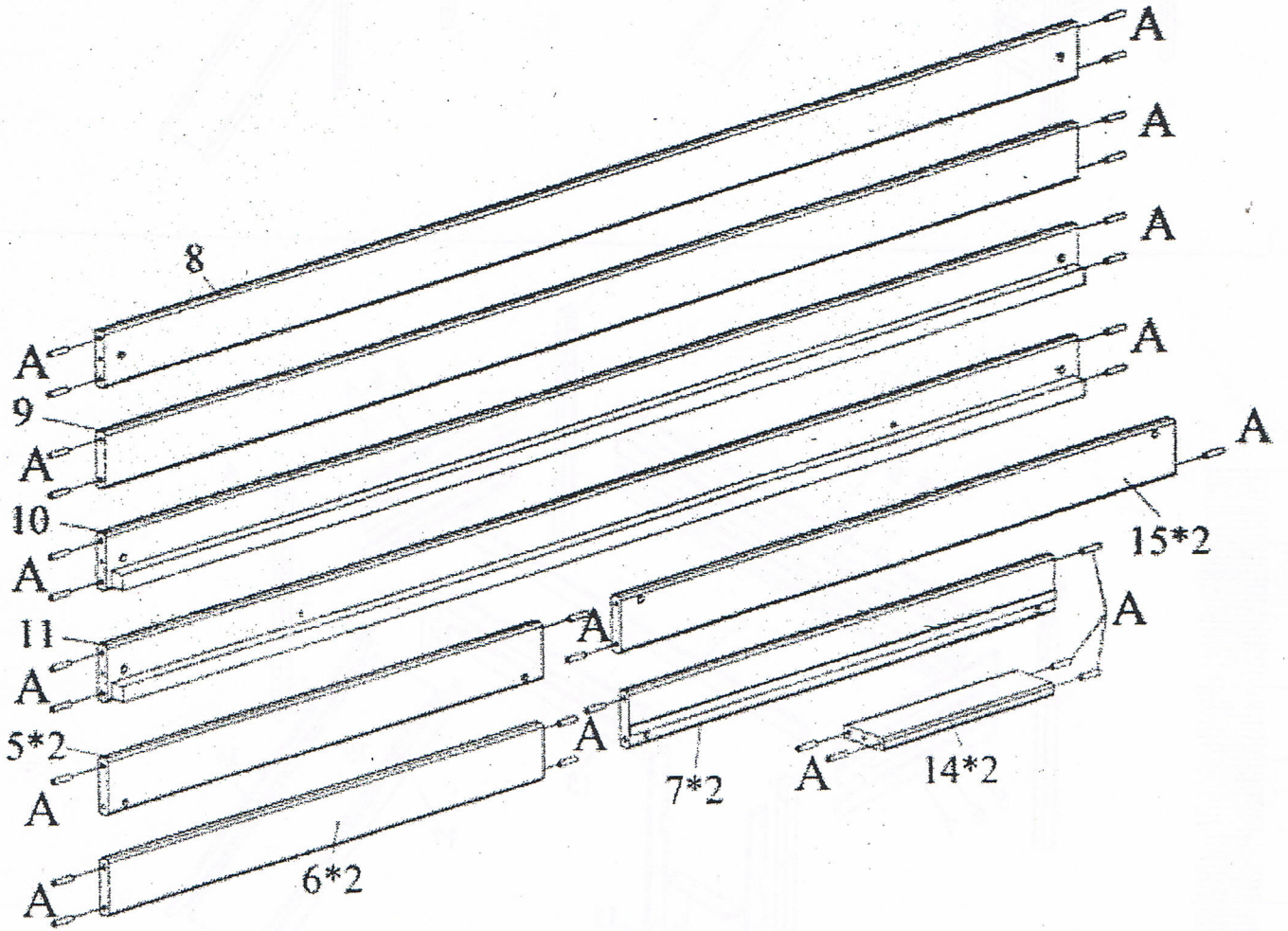
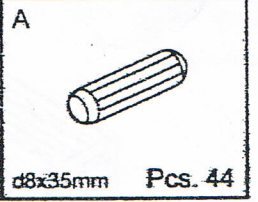


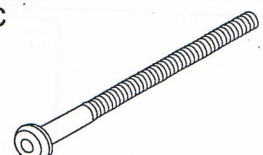
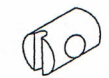
- ① x1 ⑤ x2 ⑨ x1 ⑬ x1 ⑰ x1
 ② x1 ⑥ x2 ⑩ x1 ⑭ x2 ⑱ x1
 ③ x1 ⑦ x2 ⑪ x1 ⑮ x2 ⑲ x1
 ④ x1 ⑧ x1 ⑫ x1 ⑯ x1

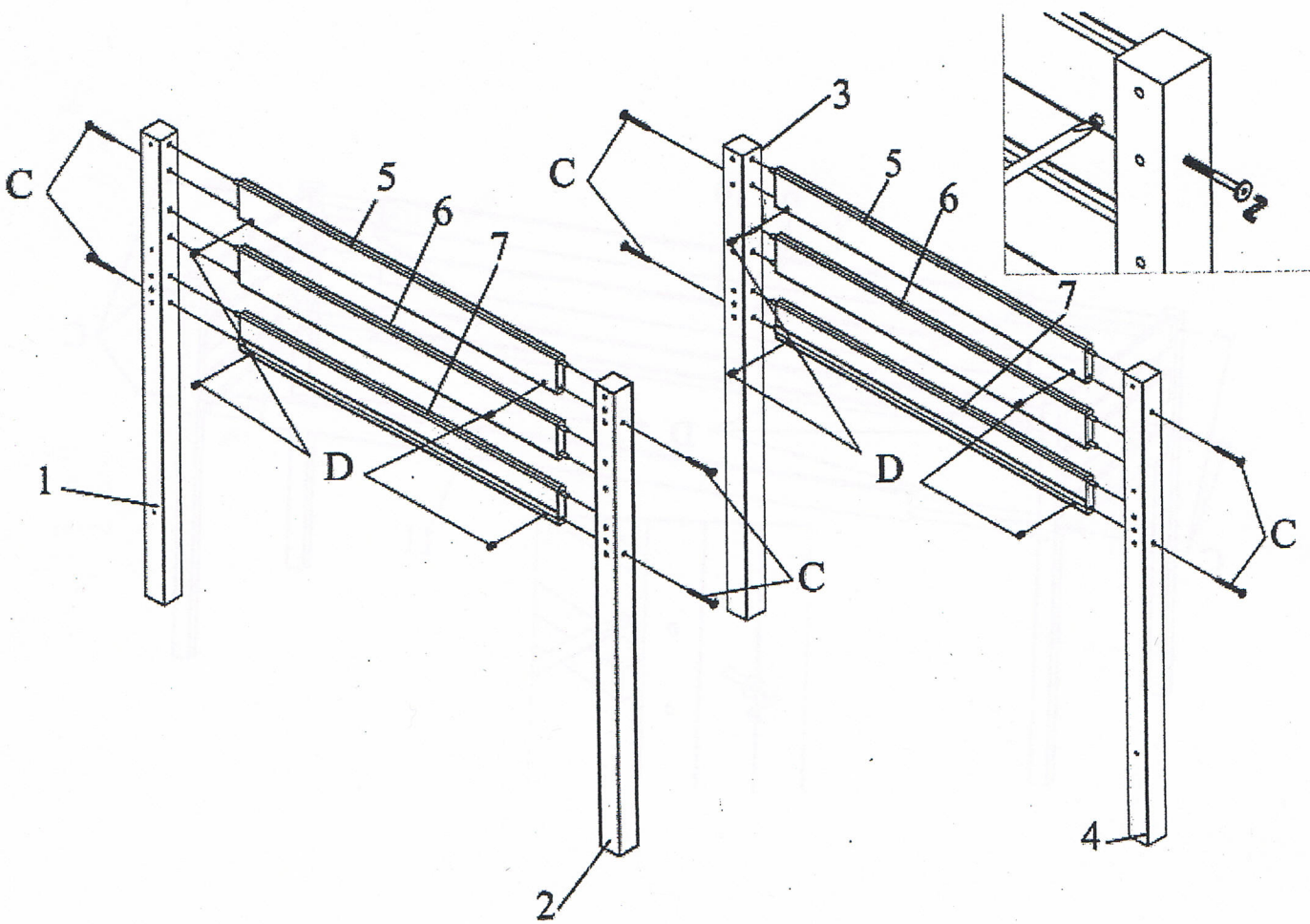
A  d8x35mm Pcs. 44	C  M6x90 mm Pcs. 16	D  M6x10x14 mm Pcs. 18	E  PVC 5 mm Pcs. 4	F  PVC 8 mm Pcs. 3
G  Ok 4 Pcs. 1	H  3.5x40 mm Pcs. 4	J  M6x70mm Pcs. 2	K + F  7x50 mm Pcs. 17	

1

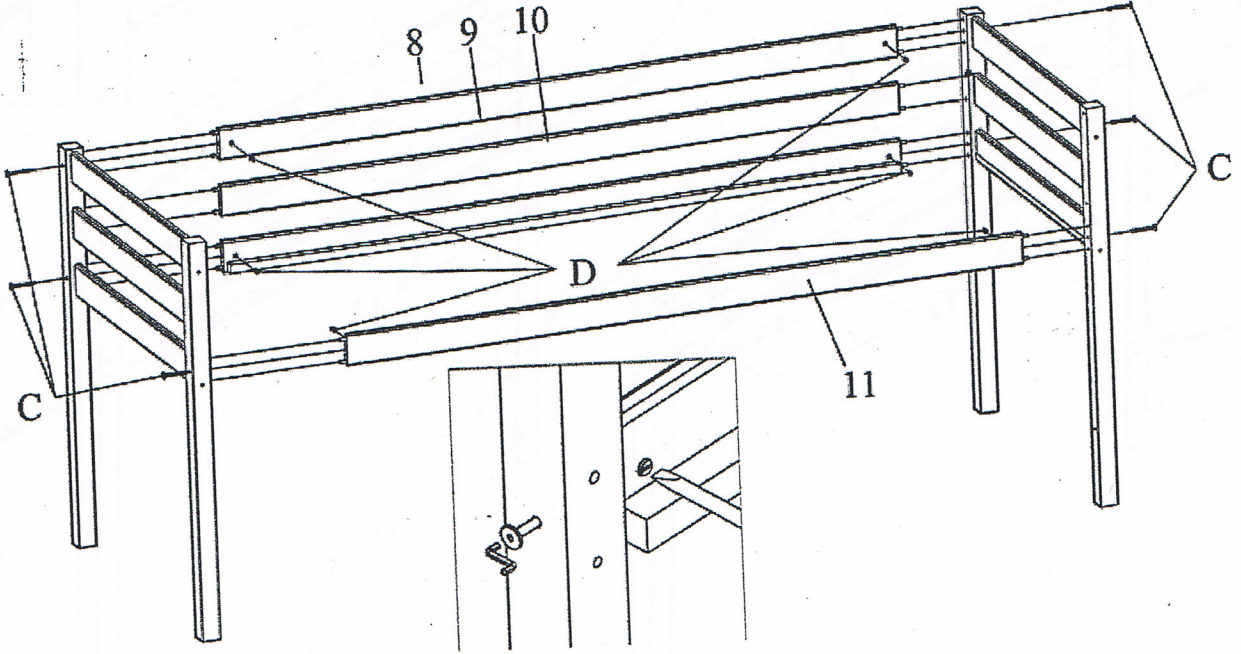
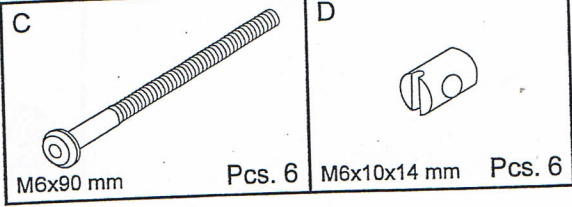


2

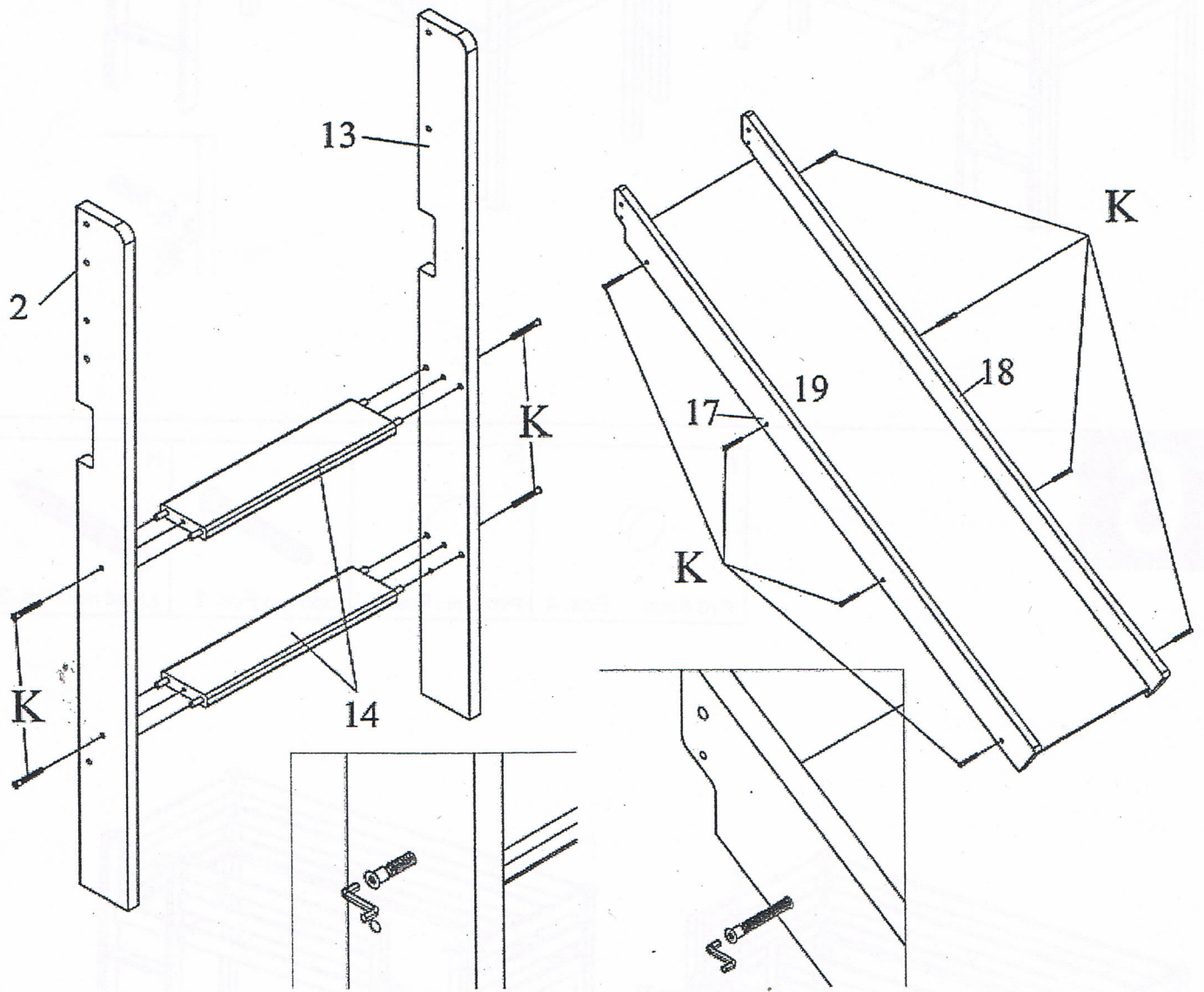
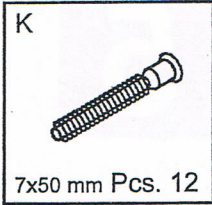
<p>C</p>  <p>M6x90 mm</p>	<p>D</p>  <p>M6x10x14 mm</p> <p>Pcs. 8</p>
--	---



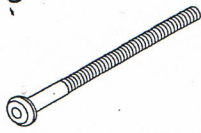
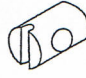

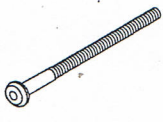
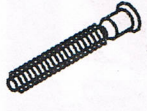
3

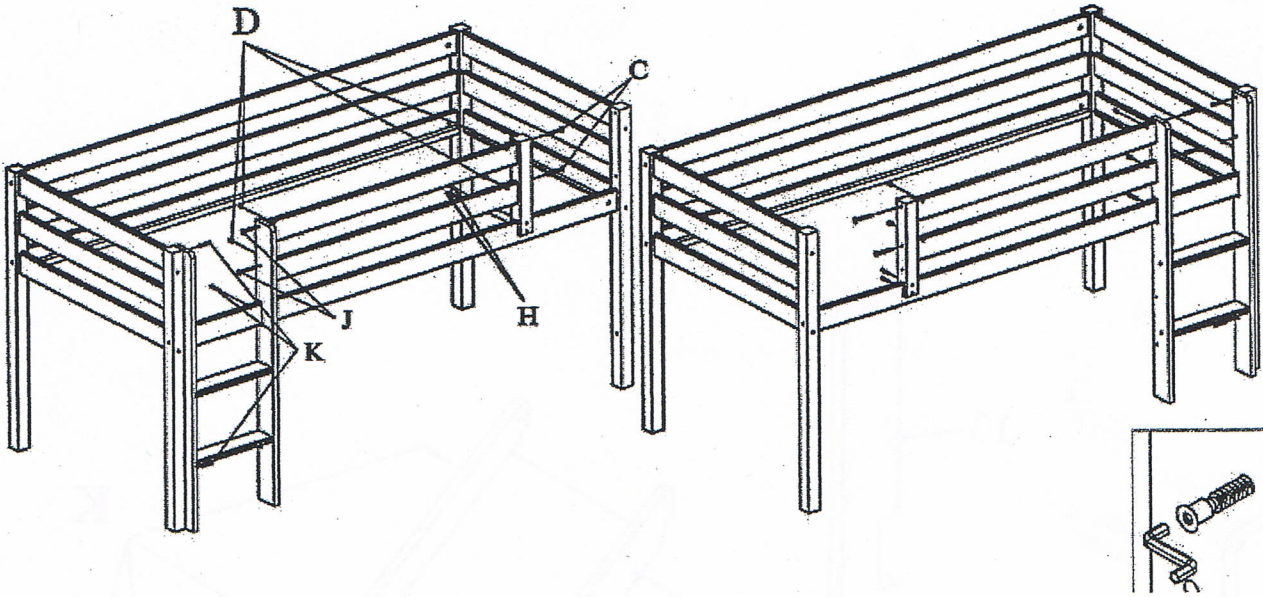


4




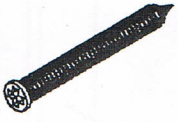


5

 C M6x90 Pcs. 2	 D M6x10x14 Pcs. 4	 H 3,5x40 mm Pcs. 2	 J M6x70mm Pcs. 2	 K 7x50 mm Pcs. 3
---	---	---	---	--



6

 E PVC 5 mm Pcs. 4	 F PVC 8 mm Pcs. 3	 K 7x50 mm Pcs. 2	 H 3,5x40 mm Pcs. 2
---	---	--	--

