


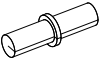
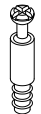

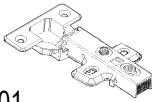


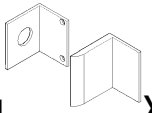
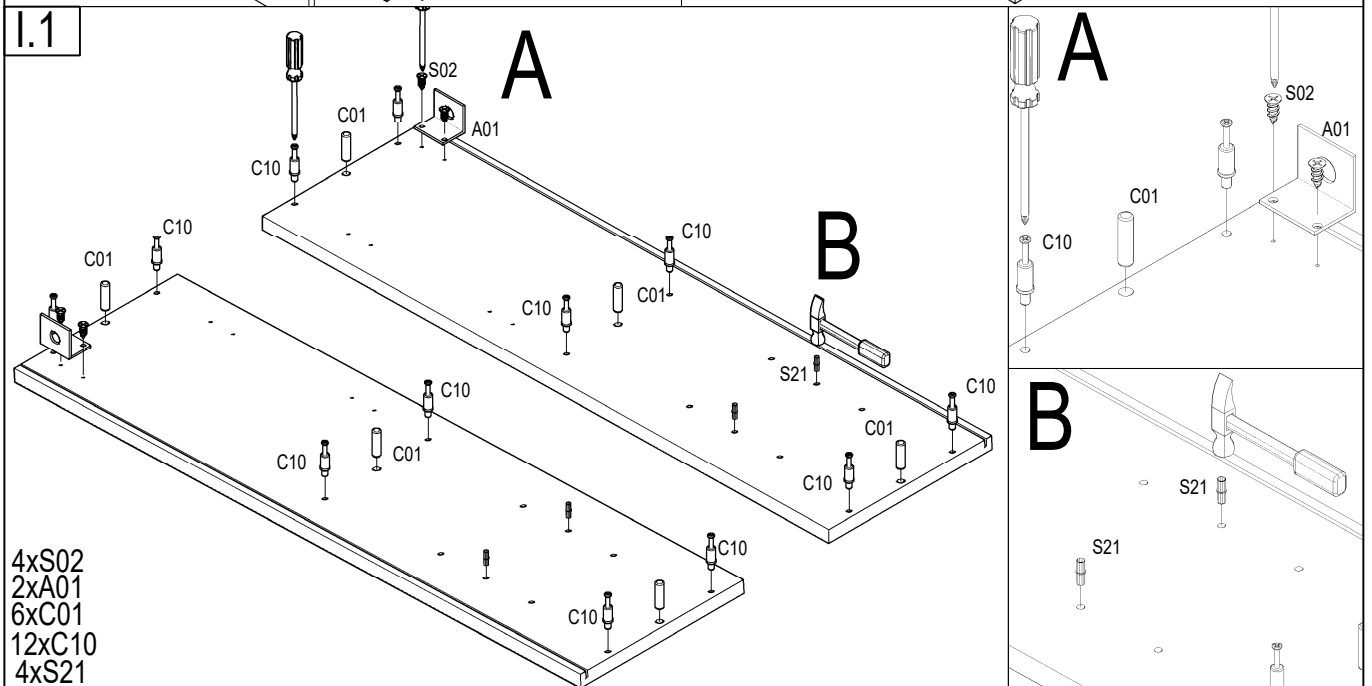
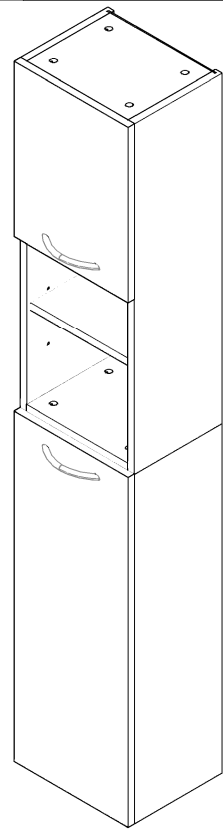
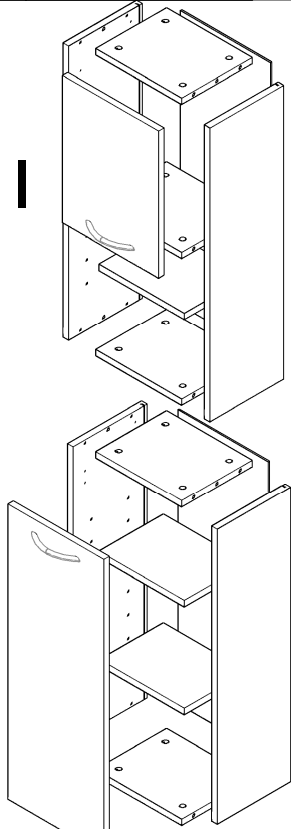
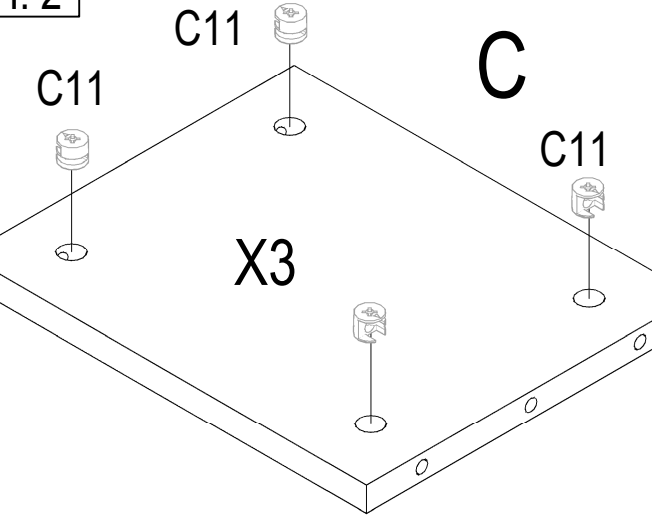


# NR.110

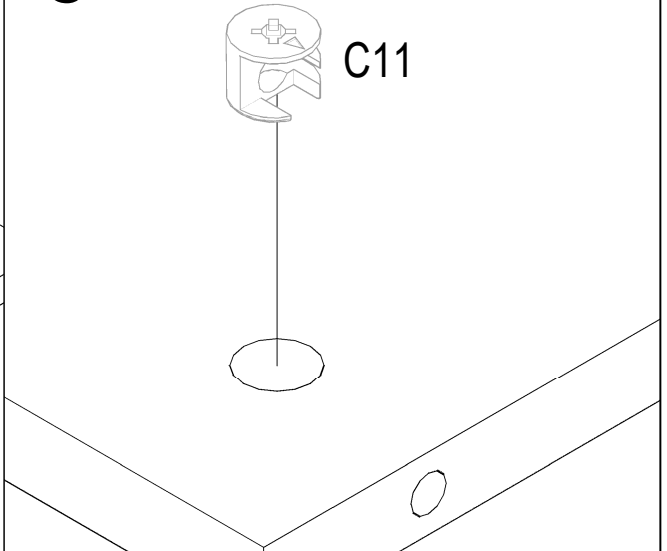
 3.5x16 S02	 M4x22 S11	 C01	 S21	 C10	 C11
<b>x54</b>	<b>x4</b>	<b>x12</b>	<b>x12</b>	<b>x20</b>	<b>x20</b>
 B01	 M01	 P01	 A01		
<b>x4</b>	<b>x2</b>	<b>x4</b>	<b>x4</b>		



I. 2

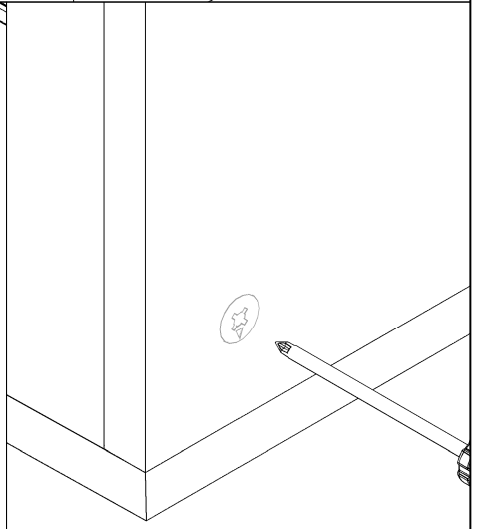
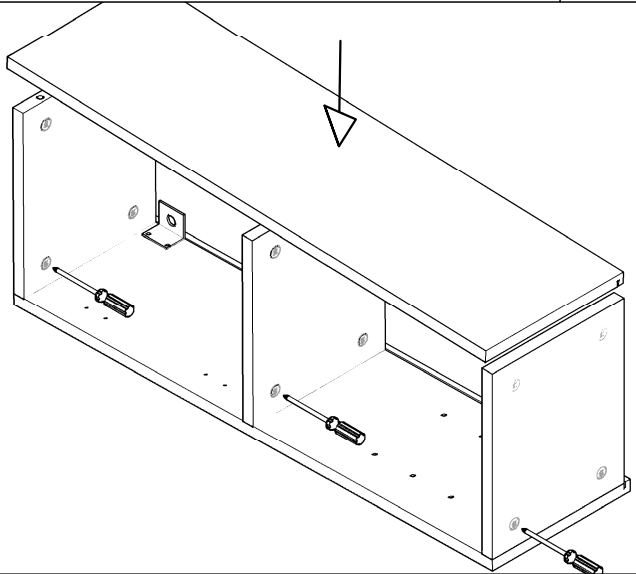


C

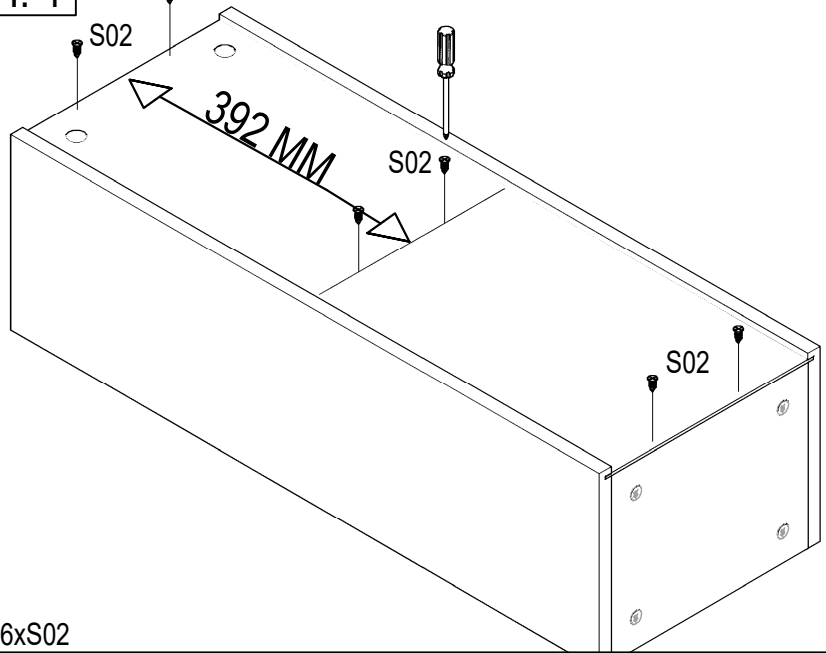


4 x C11

I. 3



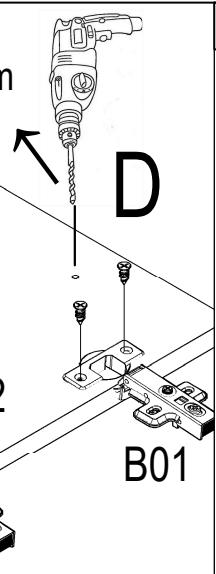
I. 4



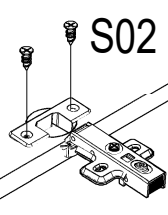
6xS02

I. 5

drill bit 5 mm

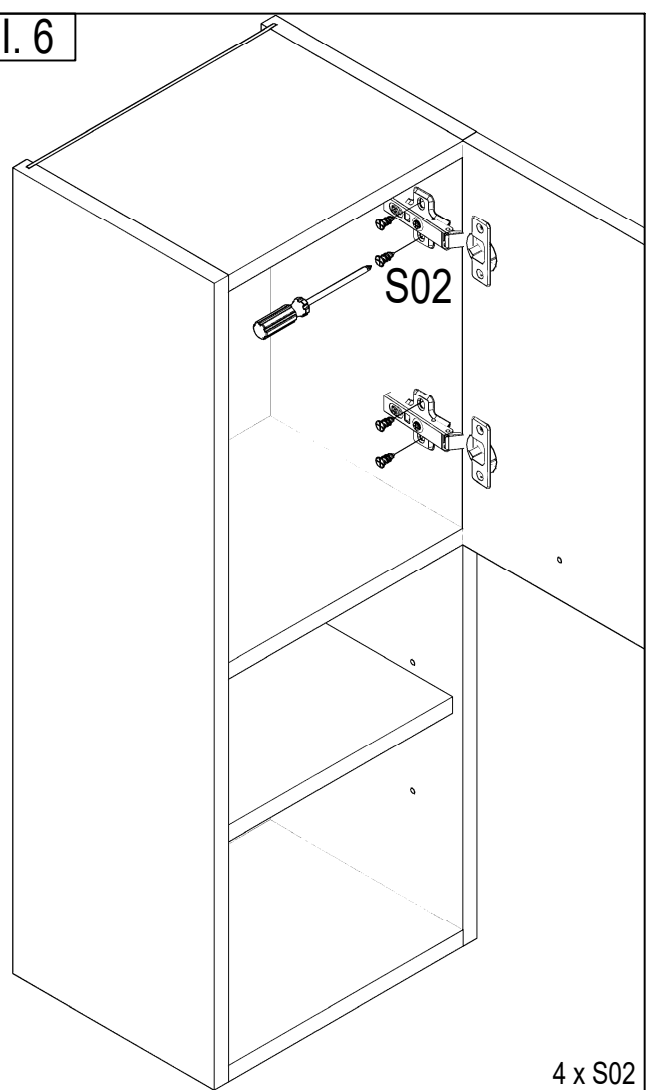


D



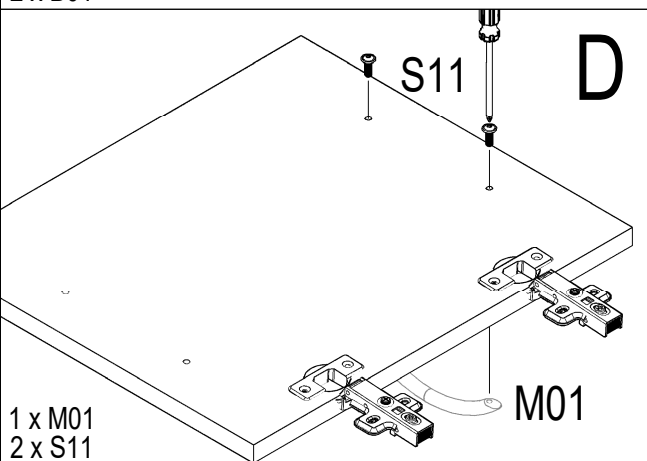
4 x S02  
2 x B01

I. 6



S02

4 x S02



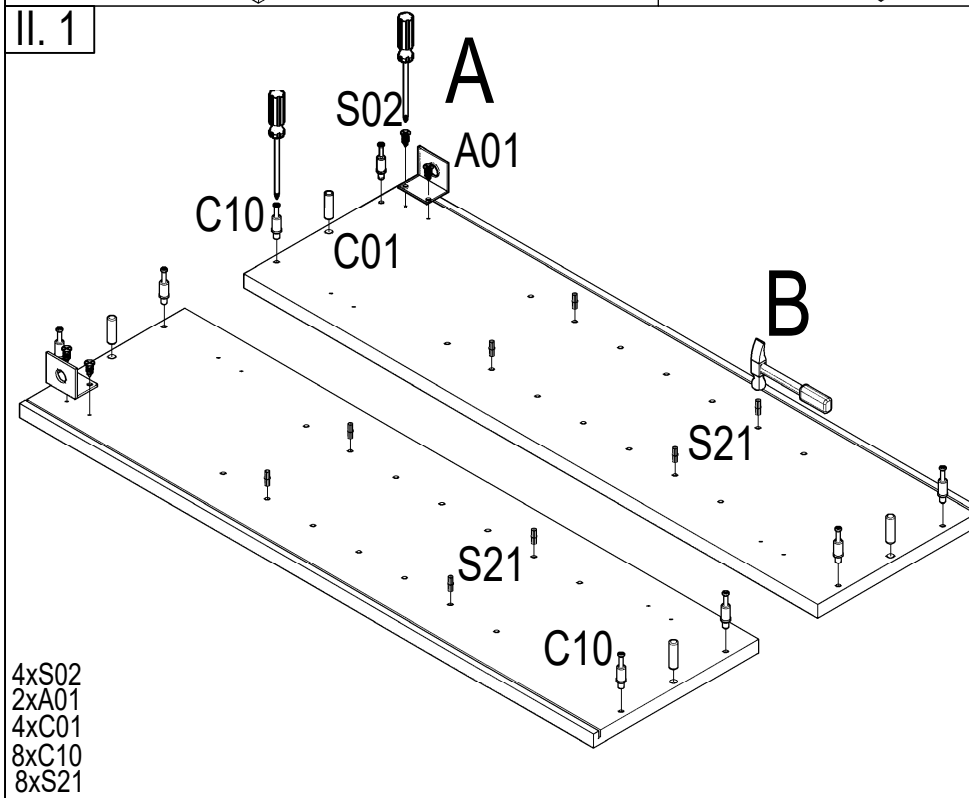
S11

D

M01

1 x M01  
2 x S11

II. 1



A

S02

A01

C10

C01

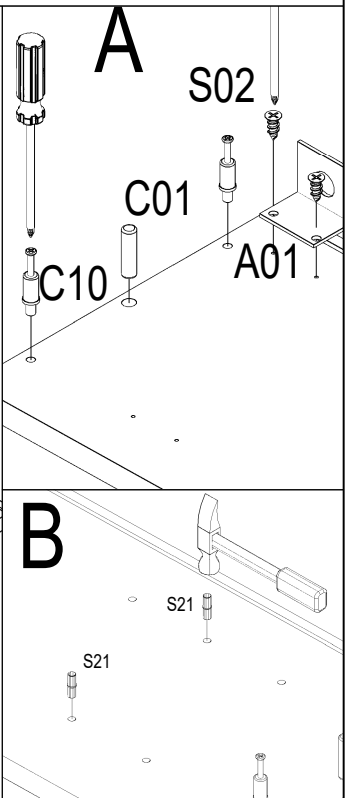
B

S21

S21

C10

4xS02  
2xA01  
4xC01  
8xC10  
8xS21



A

S02

C01

A01

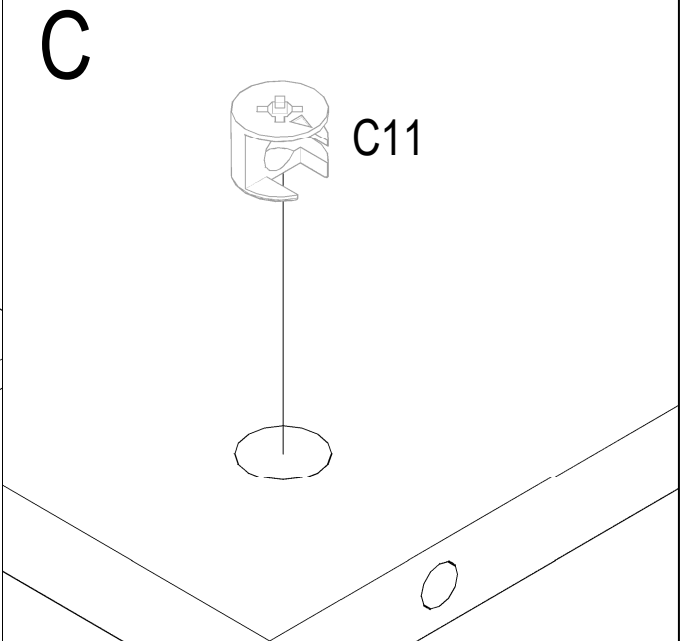
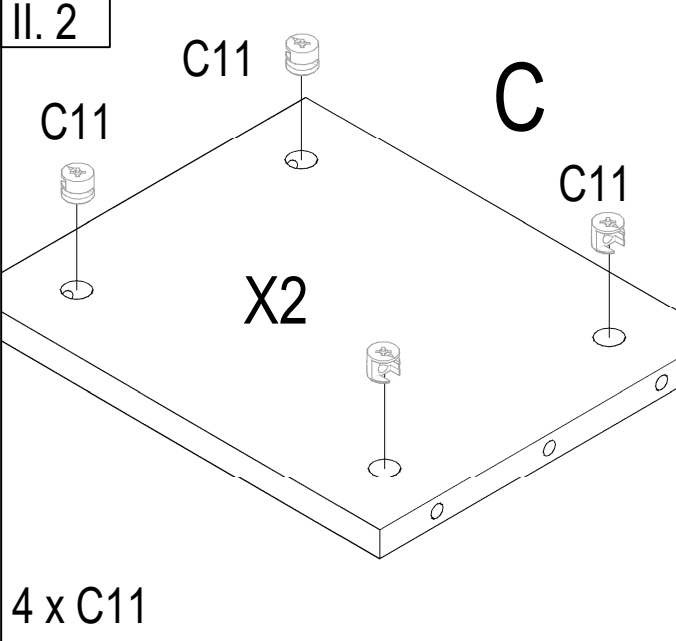
C10

B

S21

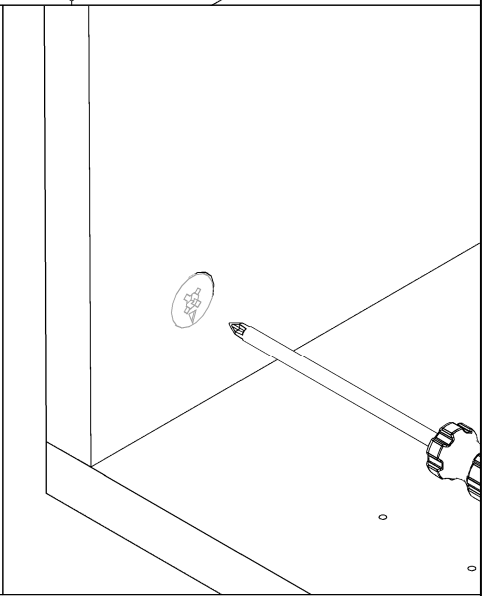
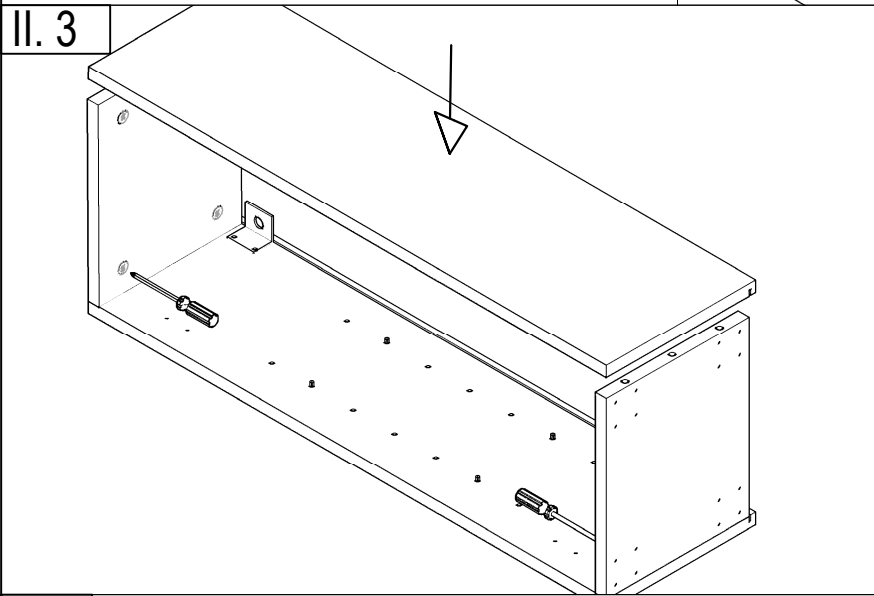
S21

II. 2

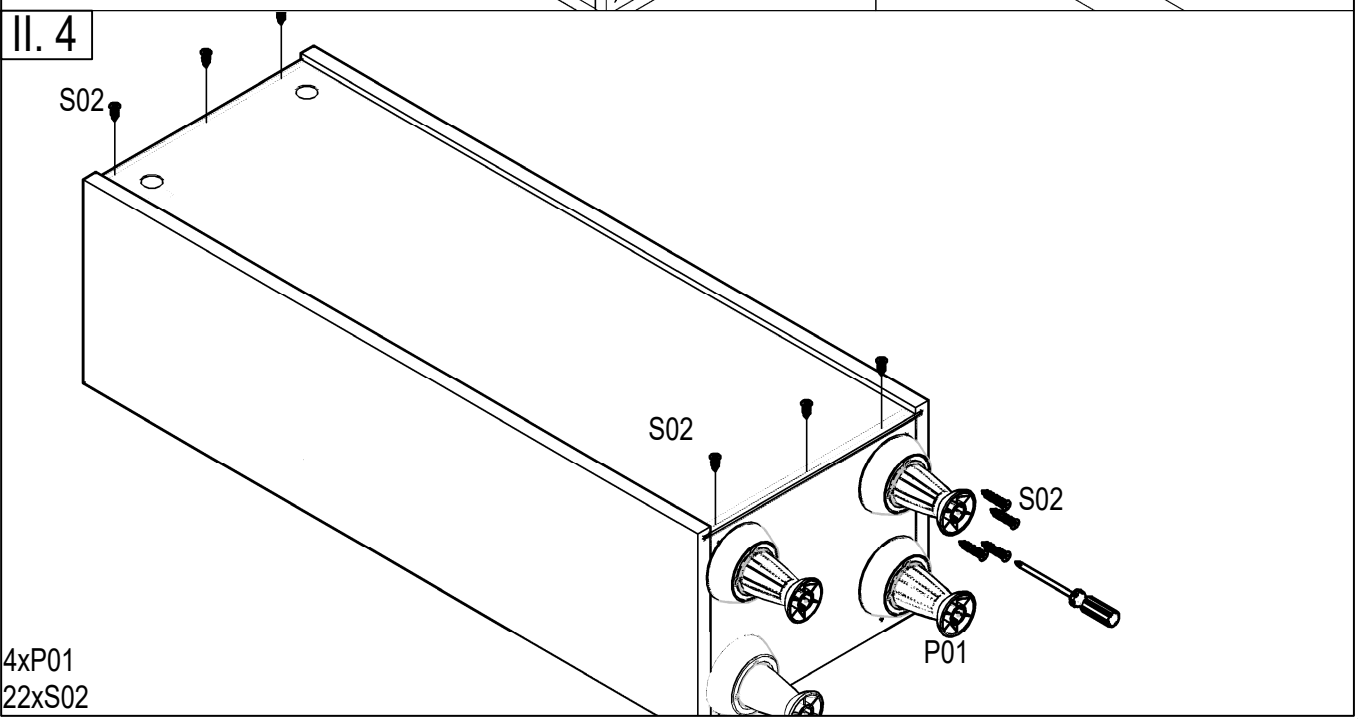


4 x C11

II. 3

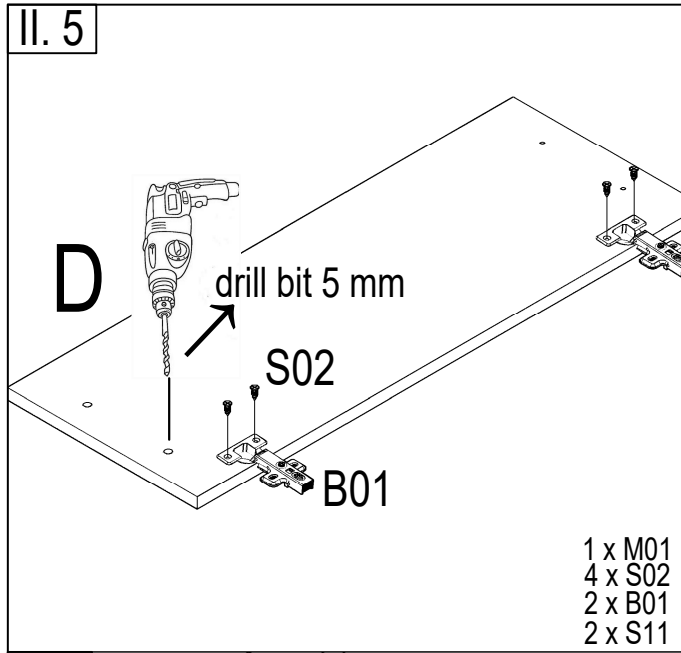


II. 4

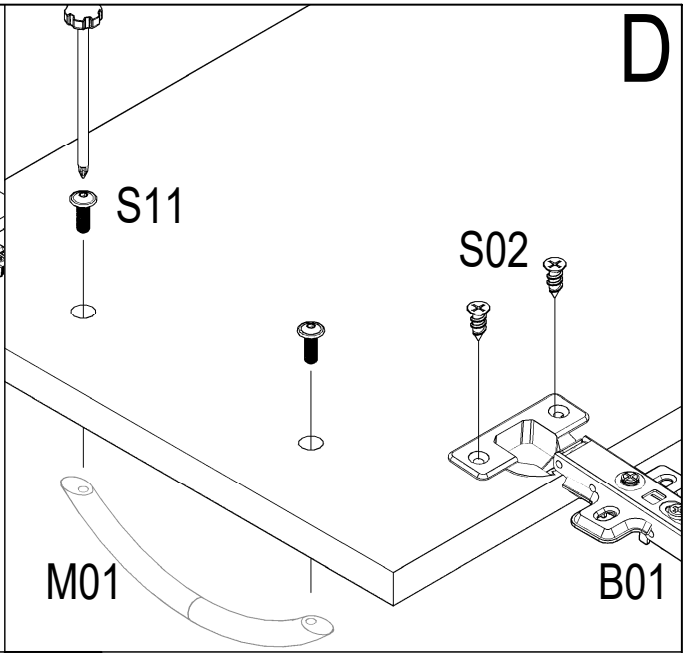


4xP01  
22xS02

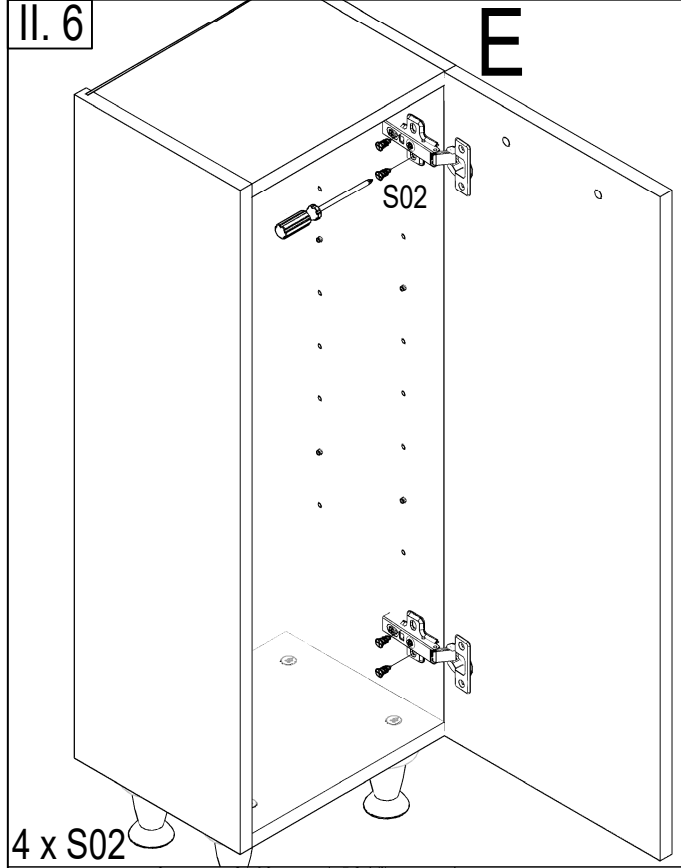
II. 5



D

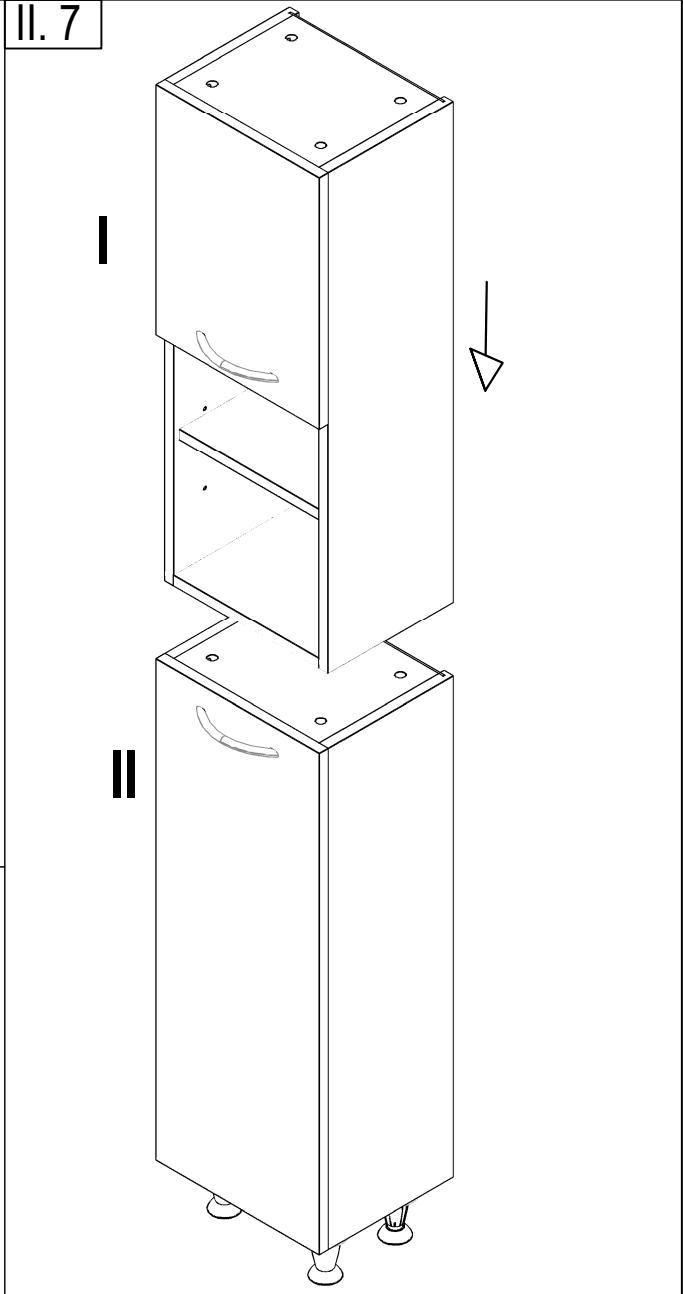


II. 6

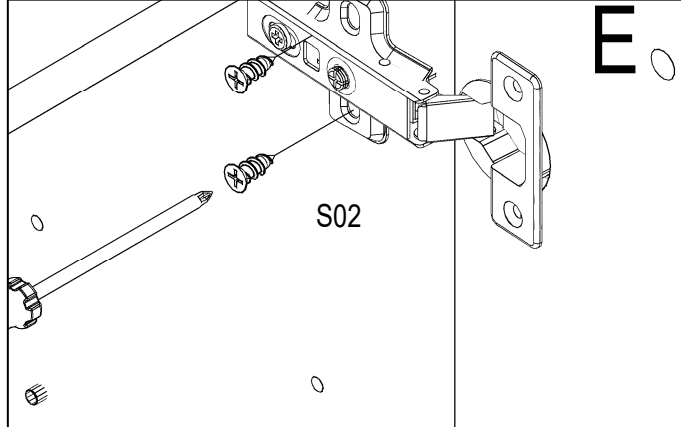


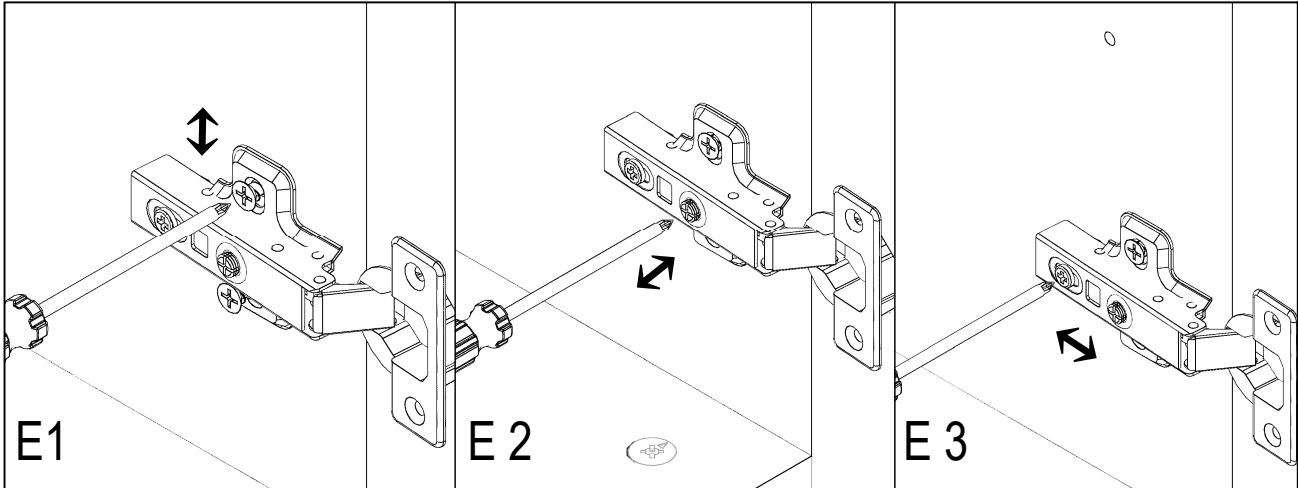
E

II. 7



E





E1

E2

E3

HEIGHT ADJUSTMENT

SIDE ADJUSTMENT

DEPTH ADJUSTMENT