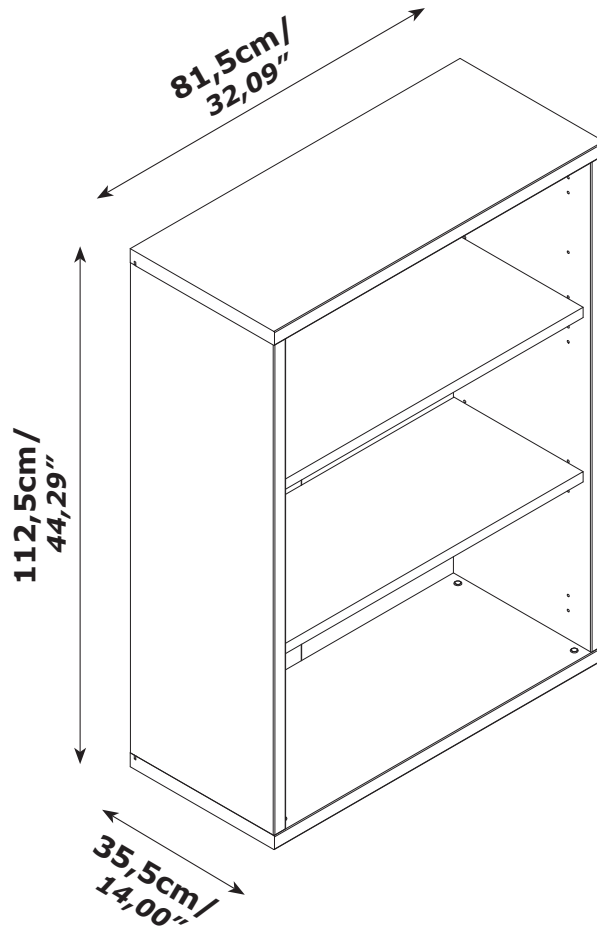
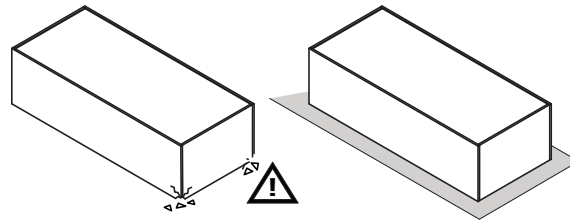
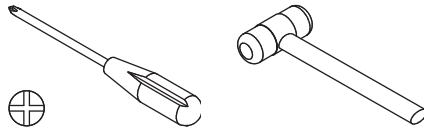
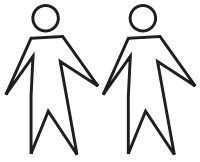


# LB4800B



QF5180



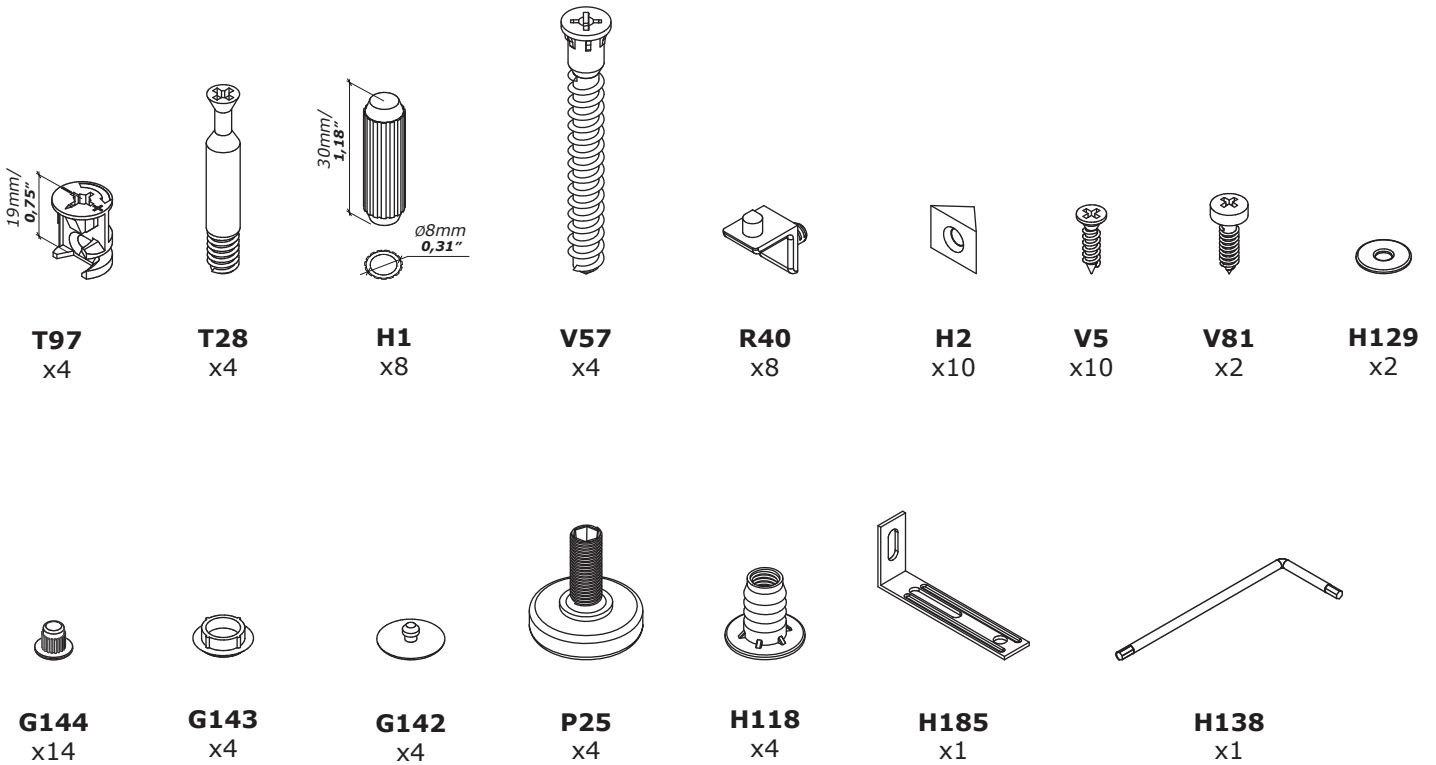
IT IS RECOMMENDED THAT THE ANTI-TIP KIT INCLUDED WITH THIS PRODUCT BE INSTALLED FOR ADDED SAFETY AND STABILITY.

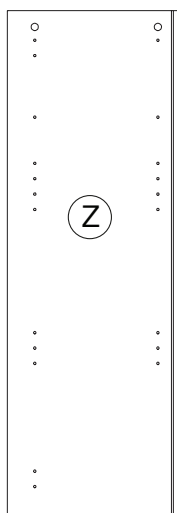
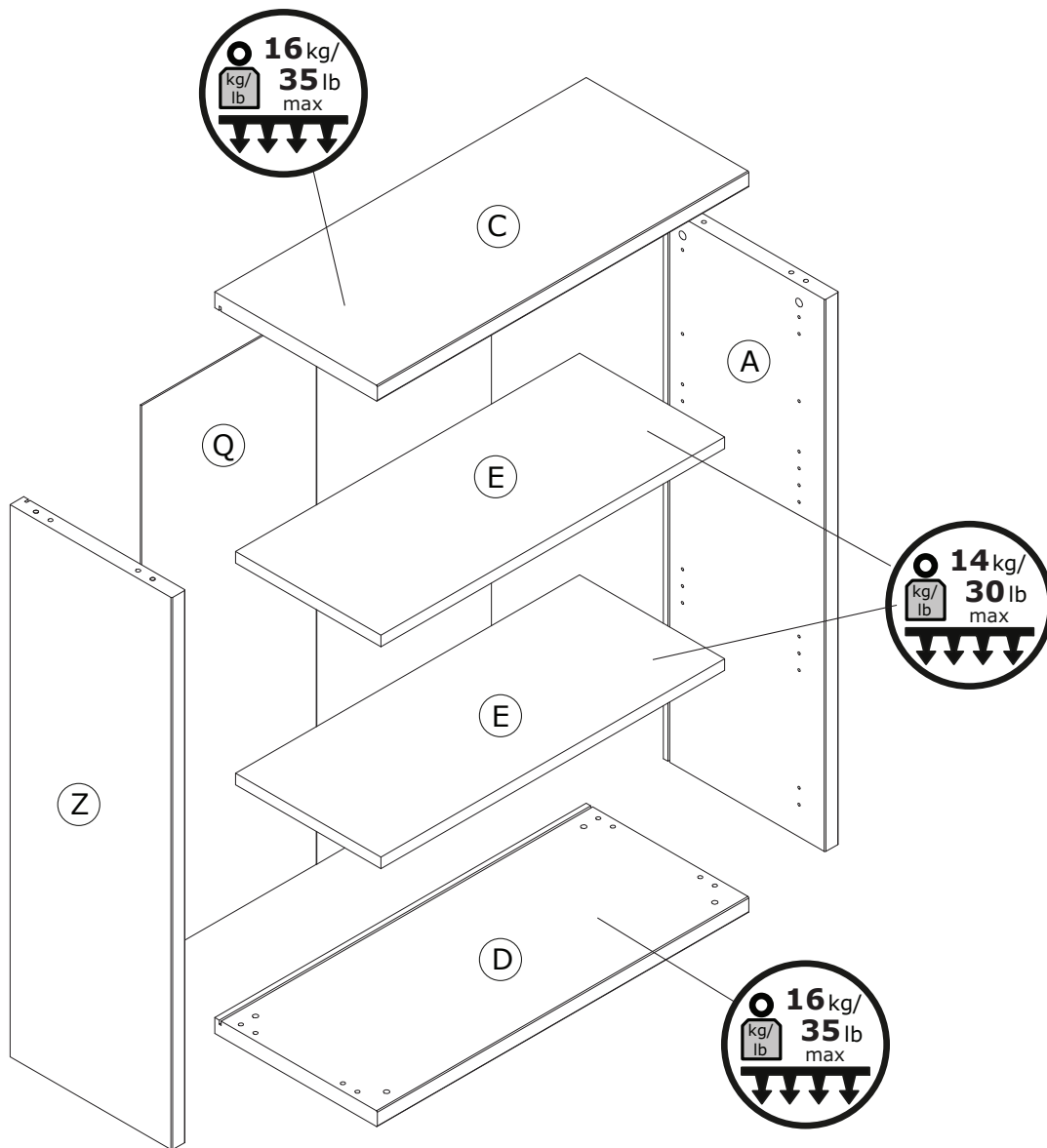
IT IS ESSENTIAL TO USE WALL ANCHORS APPROPRIATE FOR YOUR WALL TYPE (I.E. PLASTER, DRYWALL, CONCRETE, ETC.), ALONG WITH APPROPRIATE SCREWS, FOR PROPER MOUNTING.

THE SCREWS INCLUDED IN THIS ANTI-TIP KIT MAY NOT BE SUITED FOR ALL WALL TYPES. MOUNTING TO WOOD STUDS IS RECOMMENDED.

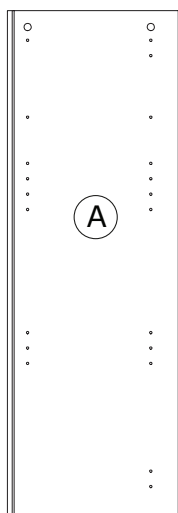
CONSULT A QUALIFIED PROFESSIONAL OR YOUR LOCAL HARDWARE STORE FOR APPROPRIATE MOUNTING HARDWARE SUITED FOR YOUR SPECIFIC WALL MEDIUM.

**BU2925**

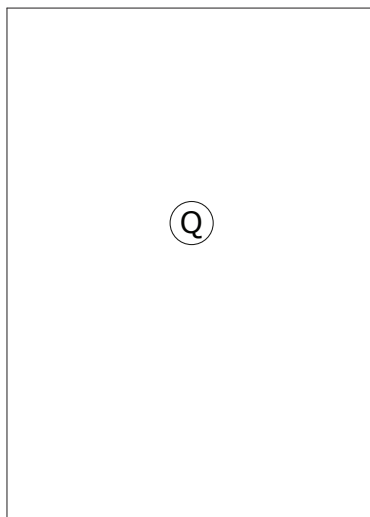




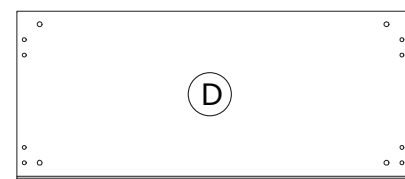
**F17709**  
1051x355x30mm/  
41,38" x 13,98" x 1,18"



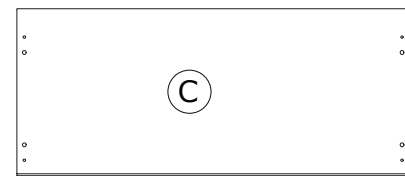
**F17708**  
1051x355x30mm/  
41,38" x 13,98" x 1,18"



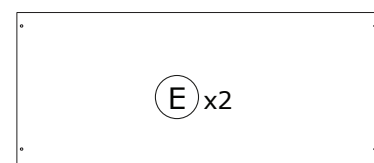
**SH2537**  
1065x768x2mm/  
41,93" x 30,24" x 0,08"



**BA1927**  
816x357x30mm/  
32,12" x 14,05" x 1,18"

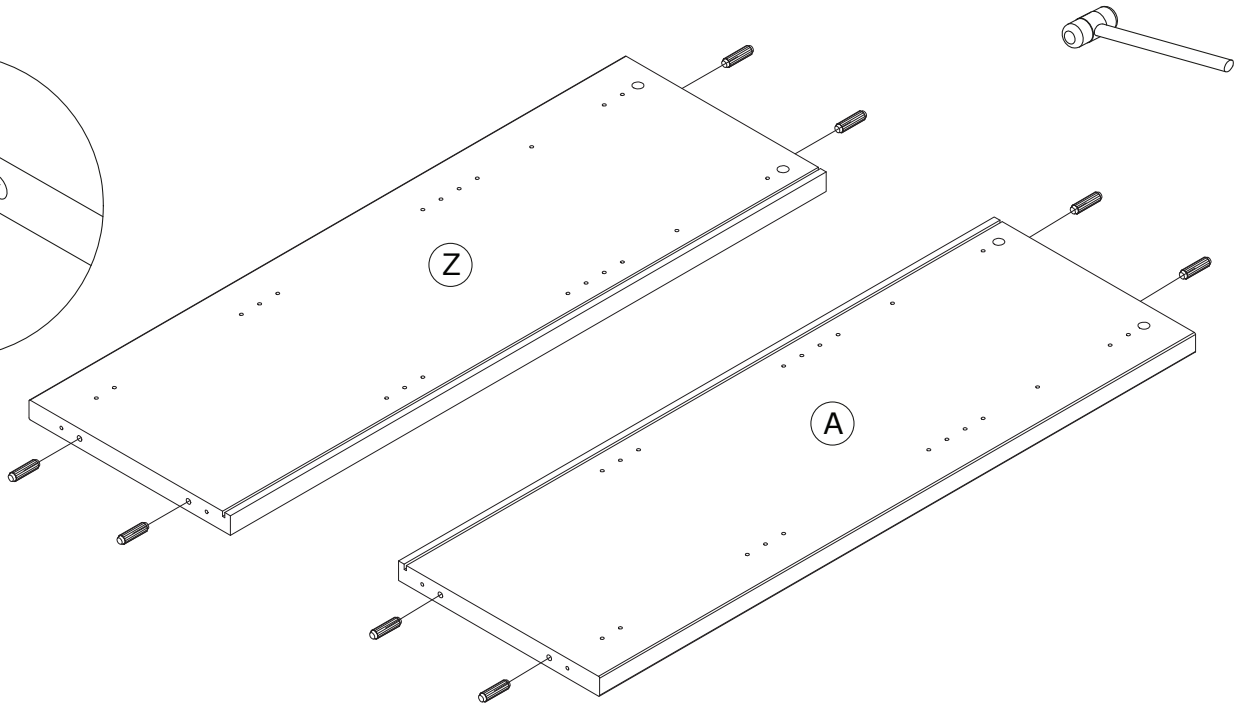
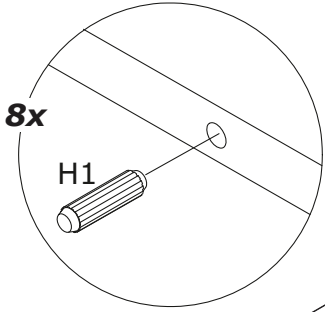


**CA3164**  
816x357x30mm/  
32,12" x 14,05" x 1,18"

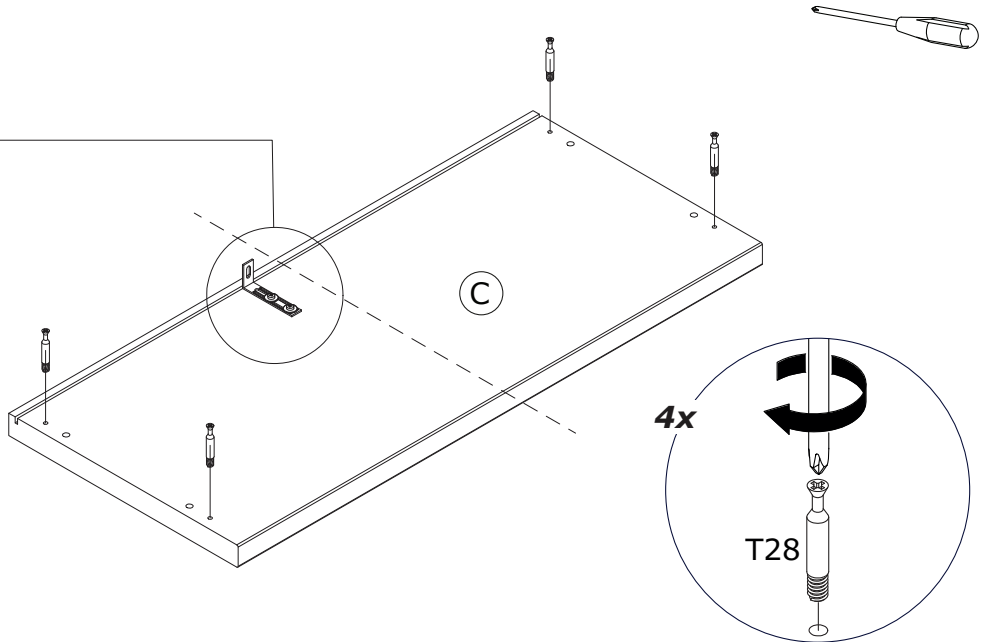
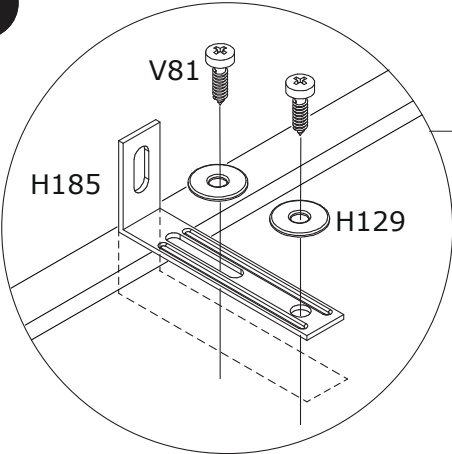


**PI6646**  
755x319x22mm/  
29,72" x 12,56" x 0,87"

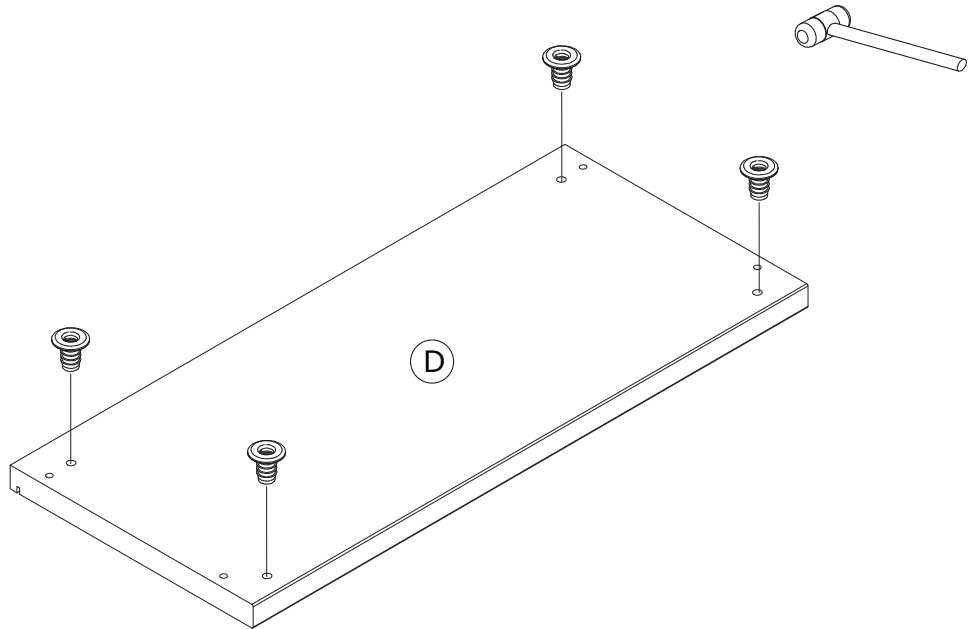
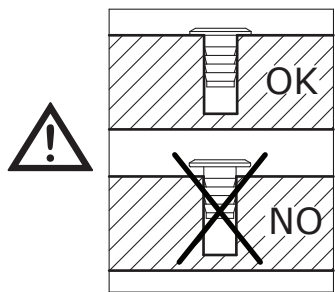
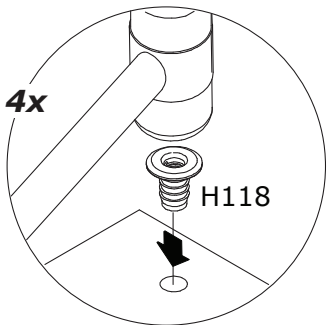
1



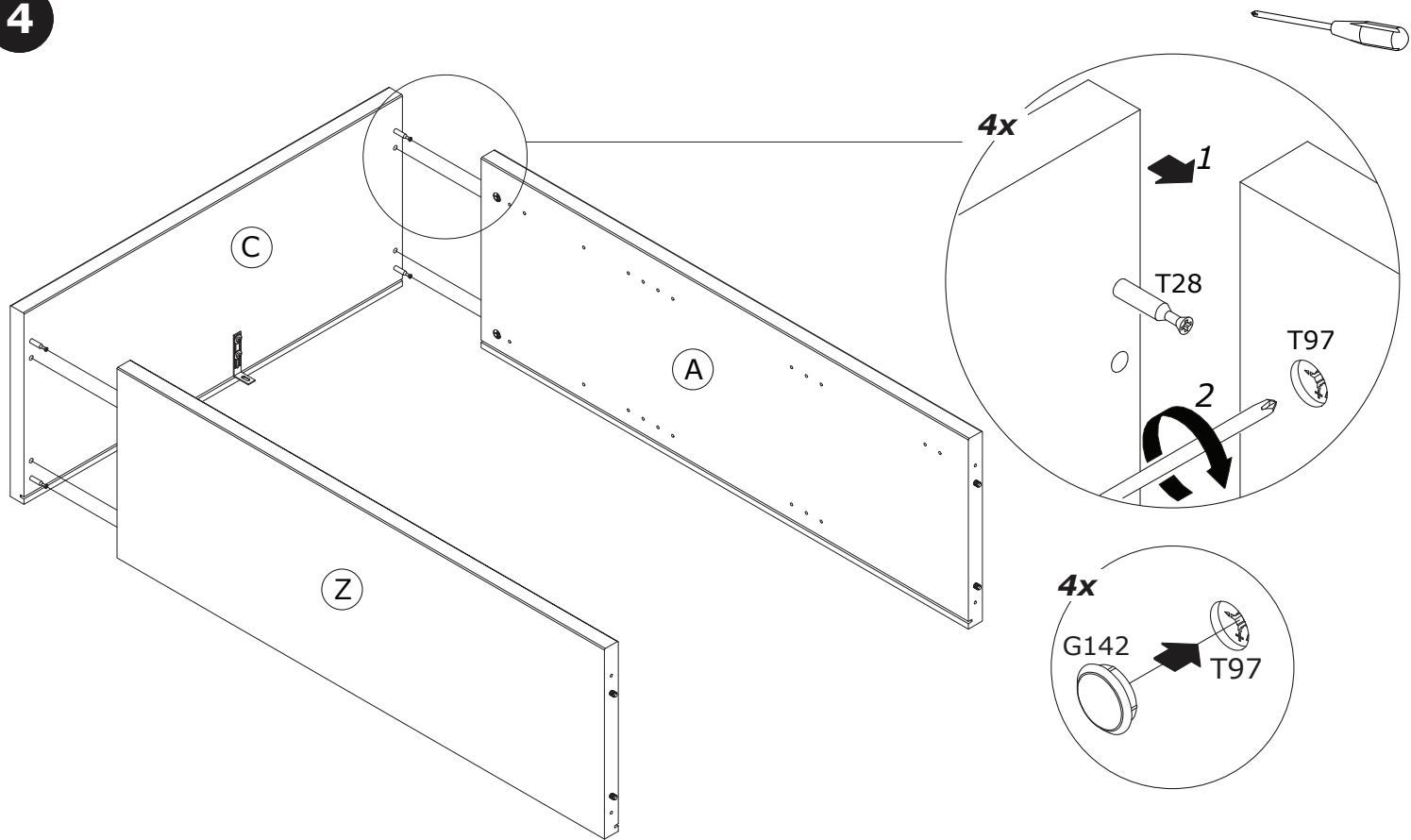
2



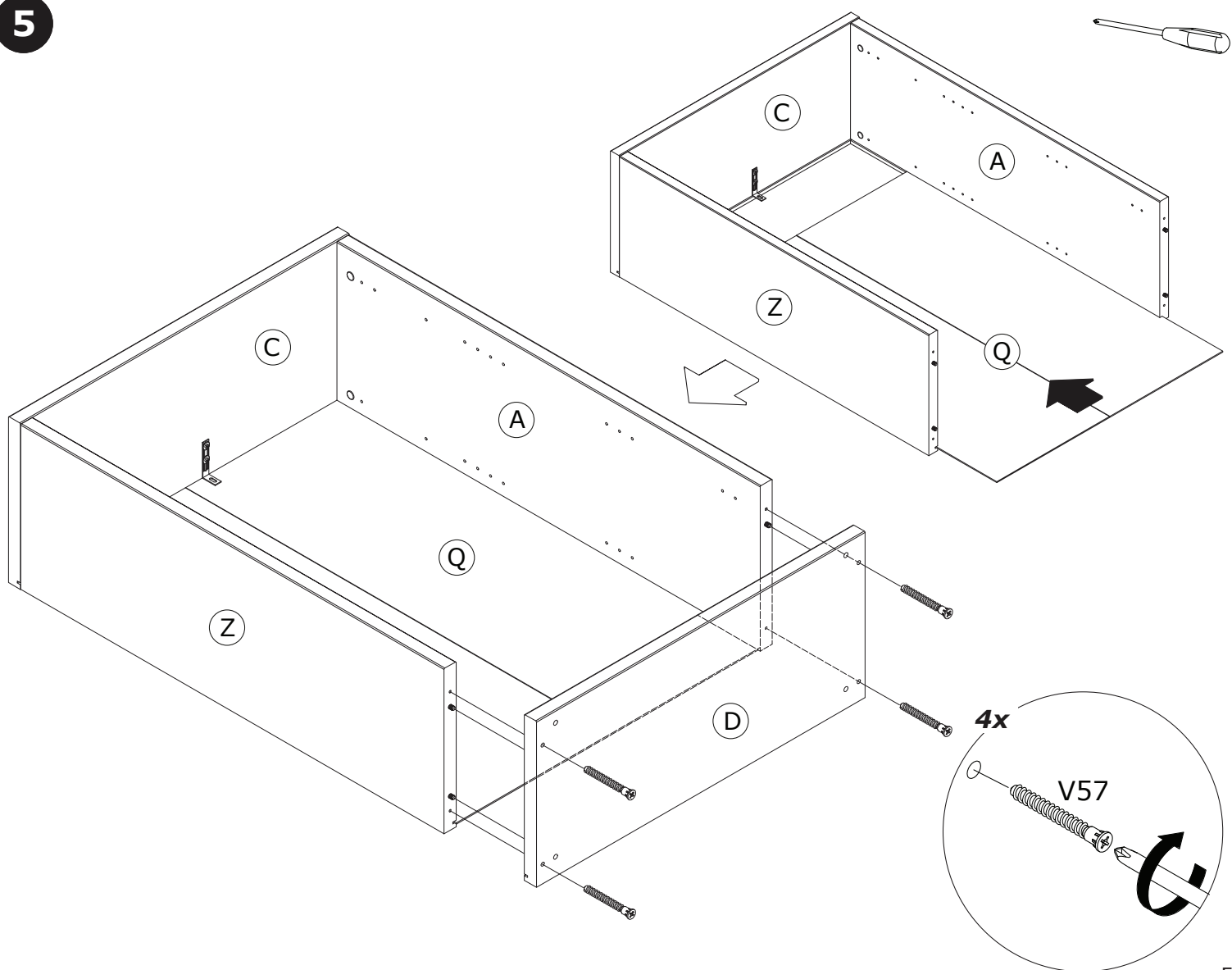
3



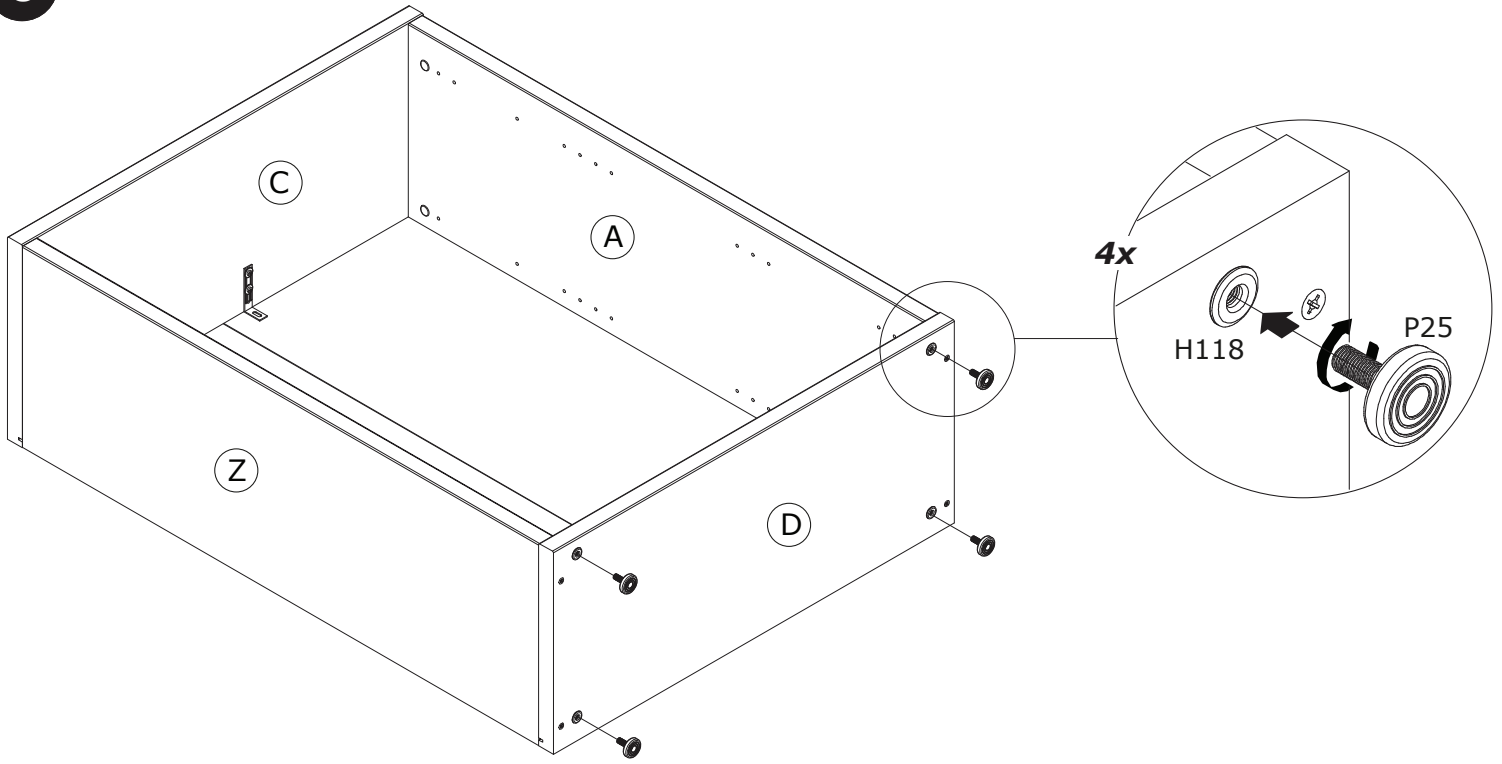
4



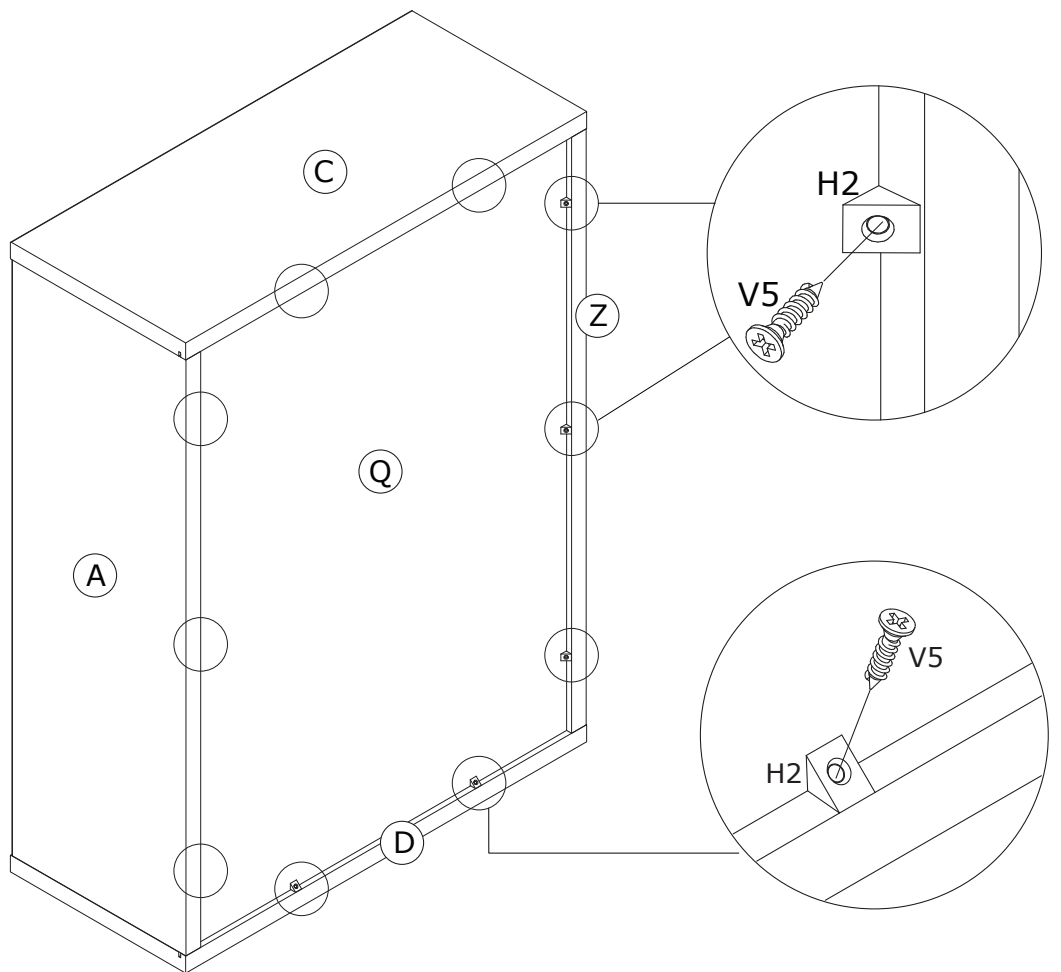
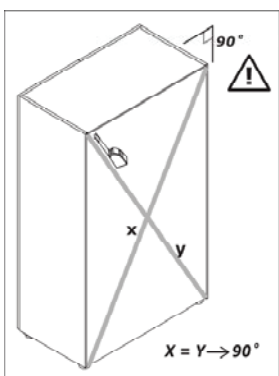
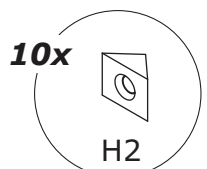
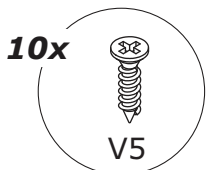
5

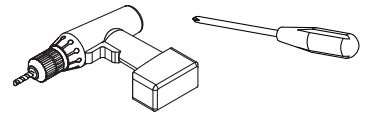


6



7



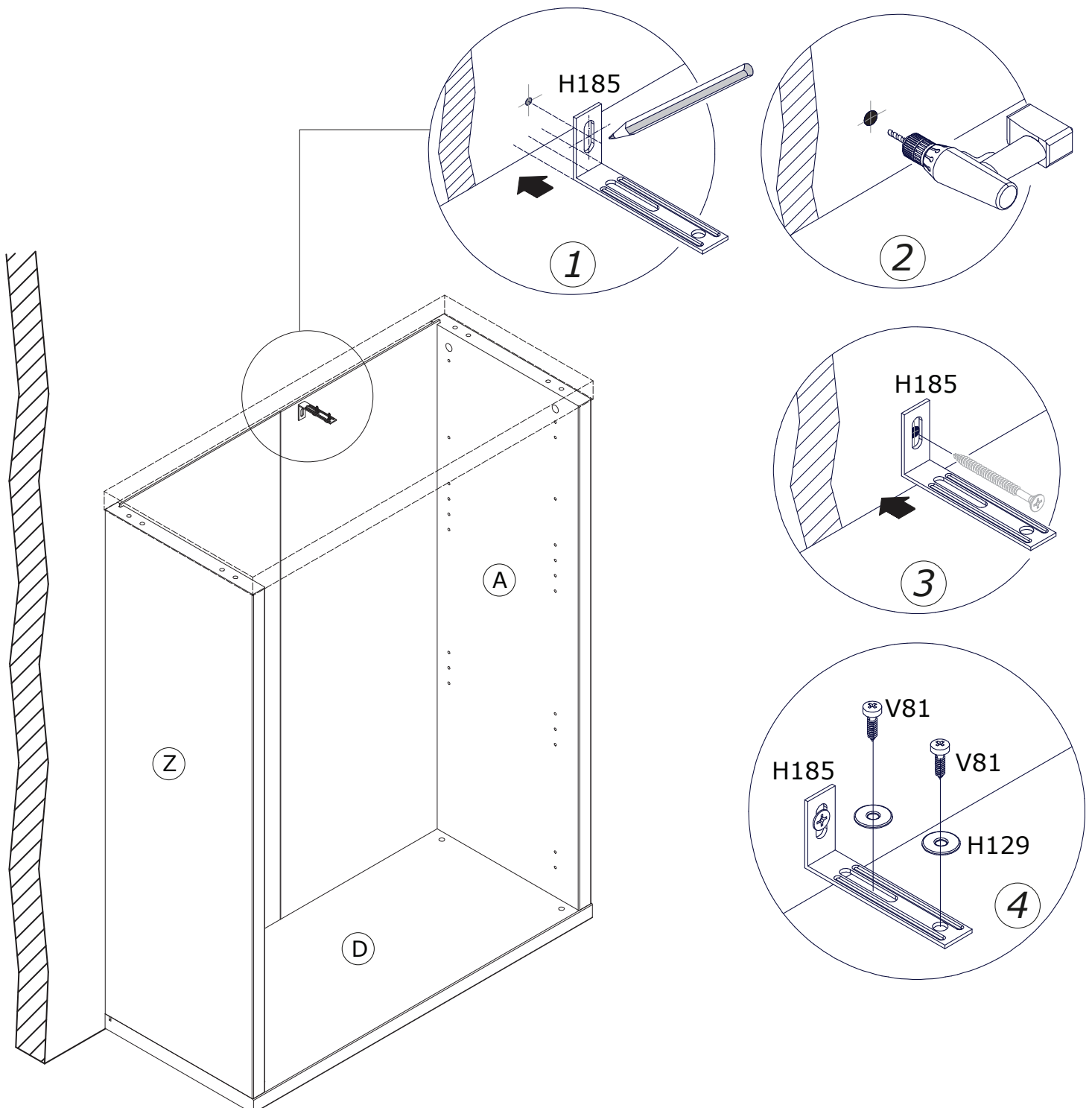


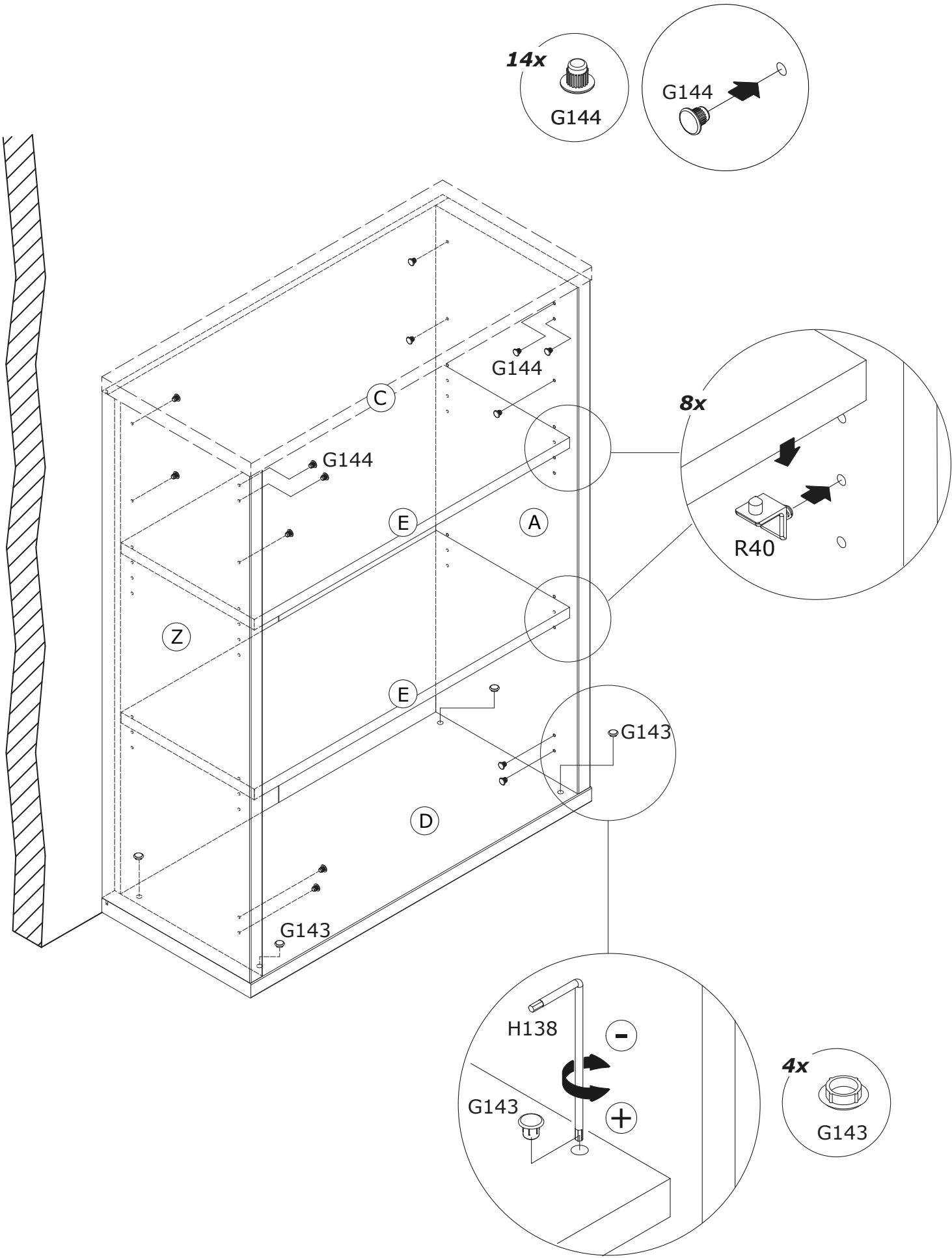
IT IS RECOMMENDED THAT THE ANTI-TIP KIT INCLUDED WITH THIS PRODUCT BE INSTALLED FOR ADDED SAFETY AND STABILITY.

IT IS ESSENTIAL TO USE WALL ANCHORS APPROPRIATE FOR YOUR WALL TYPE (I.E. PLASTER, DRYWALL, CONCRETE, ETC.), ALONG WITH APPROPRIATE SCREWS, FOR PROPER MOUNTING.

THE SCREWS INCLUDED IN THIS ANTI-TIP KIT MAY NOT BE SUITED FOR ALL WALL TYPES. MOUNTING TO WOOD STUDS IS RECOMMENDED.

CONSULT A QUALIFIED PROFESSIONAL OR YOUR LOCAL HARDWARE STORE FOR APPROPRIATE MOUNTING HARDWARE SUITED FOR YOUR SPECIFIC WALL MEDIUM.



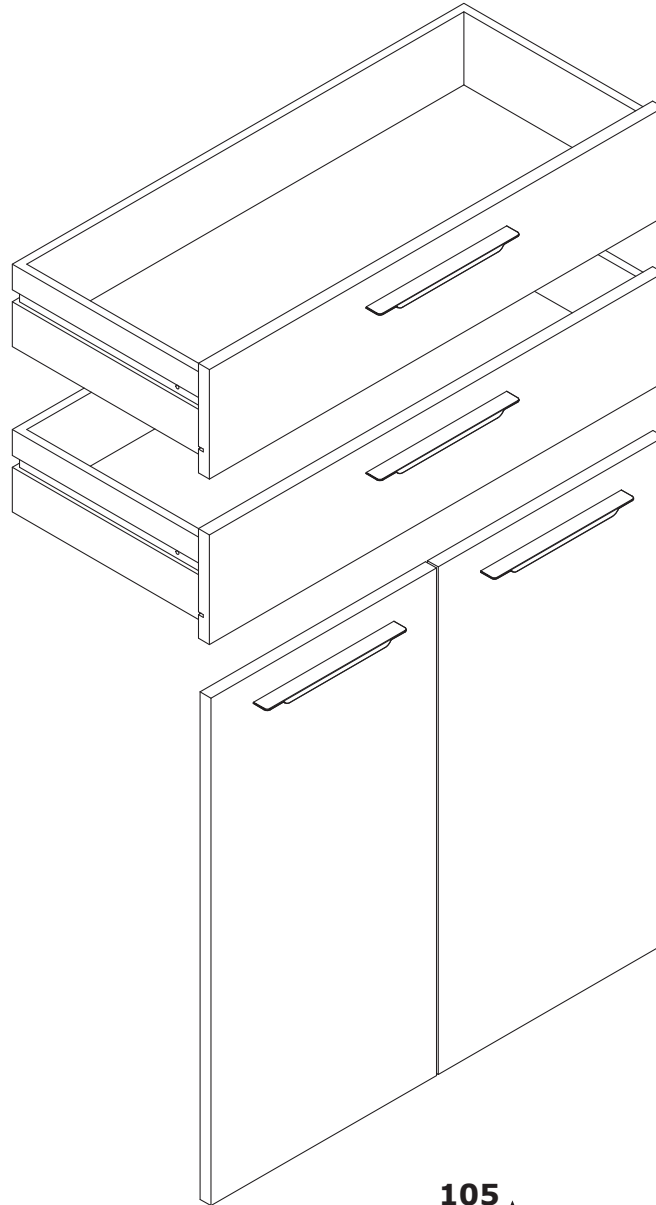




# AN4804K



MIX  
Wood | Supporting  
responsible forestry  
FSC® C011298



105  
75  
1,8



FR

Pensez à  
donner ou recycler.



Association

ou



Magasin

ou



Déchèterie

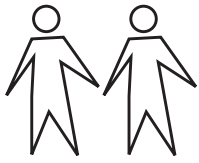
<https://quefairedemesdechets.fr>

QF3546-2

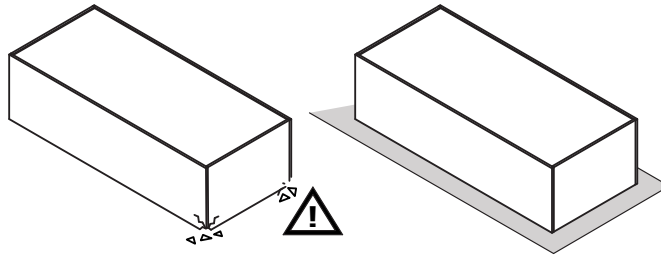
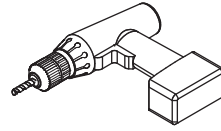
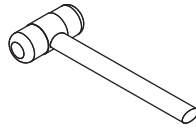
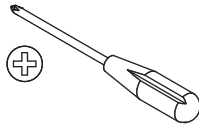


MADE IN ITALY

Produced by COMPOSAD srl, Via Lombardia 29, 46019 Viadana (MN) ITALY



1h



**BU2944**

**BU2928**



**H113**  
x10



**V137**  
x8



**G31**  
x4



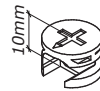
**H54**  
x8



**V5**  
x8



**V38**  
x4



**T98**  
x4



**T28**  
x4



**G128**  
x4

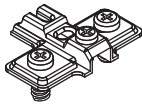


**H14**  
x1

**BU0523**



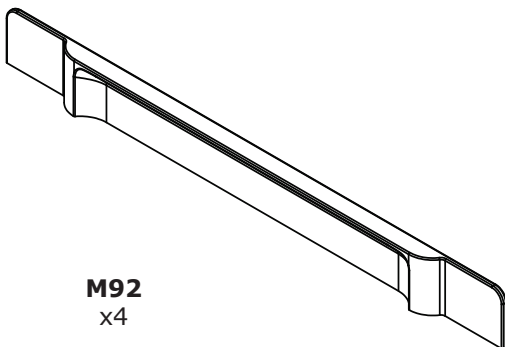
**C39**  
x4



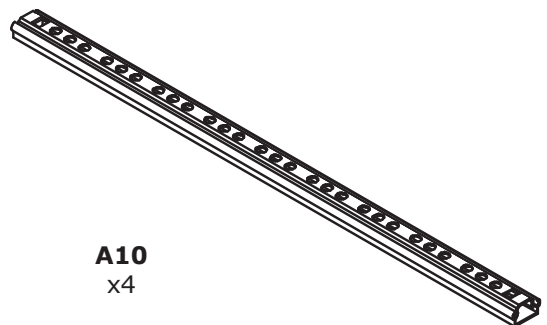
**B9**  
x4



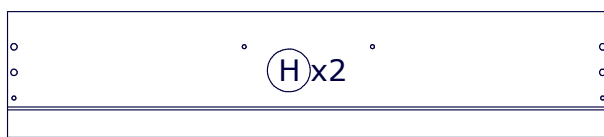
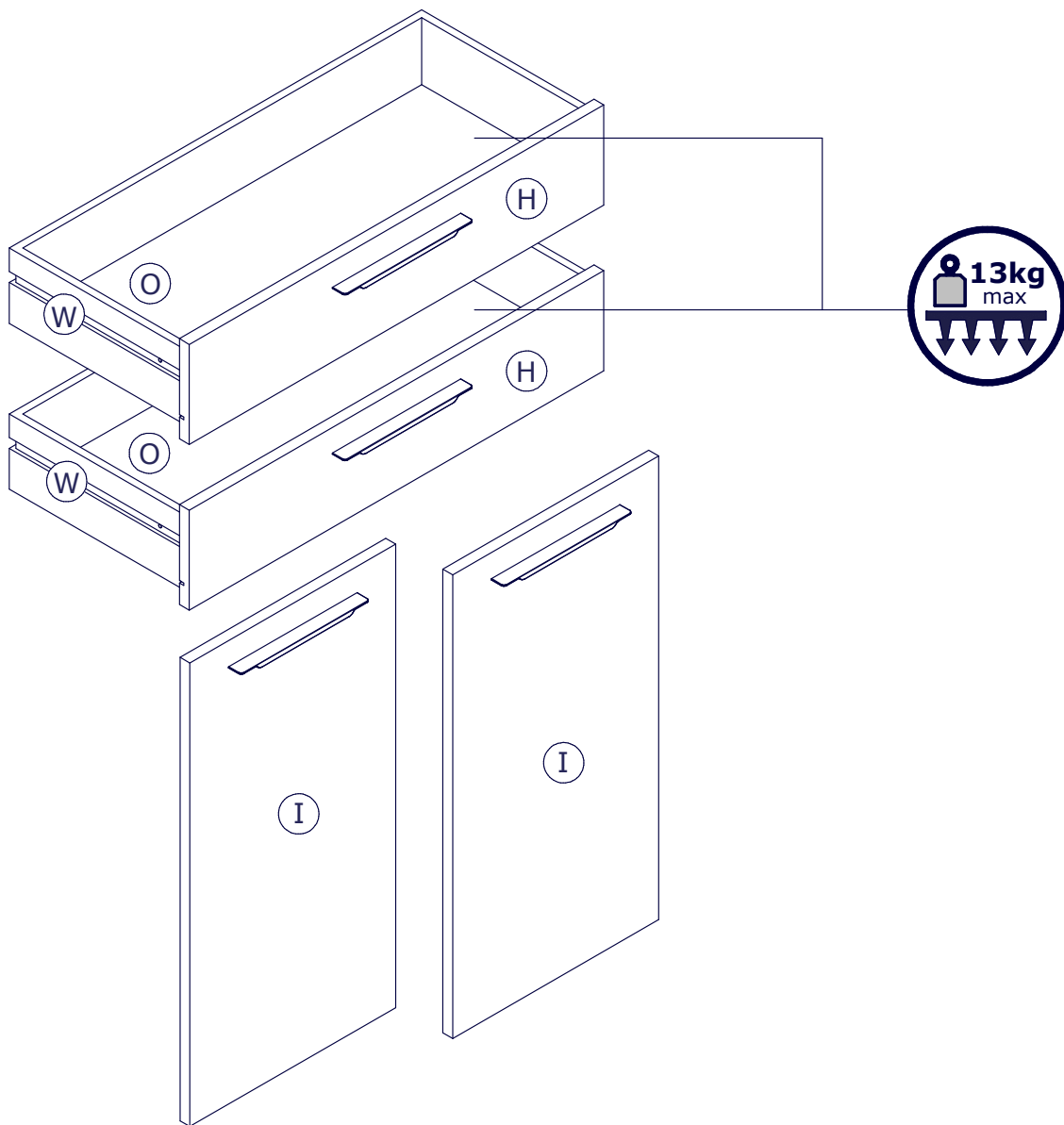
**V5**  
x8



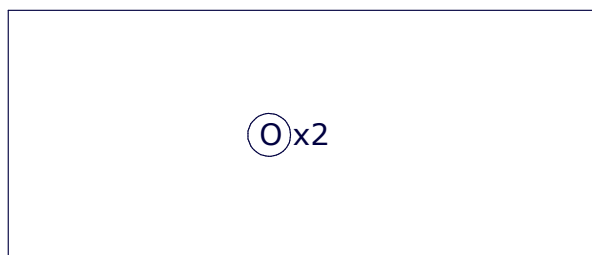
**M92**  
x4



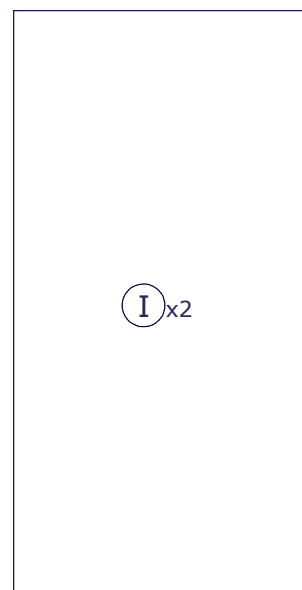
**A10**  
x4



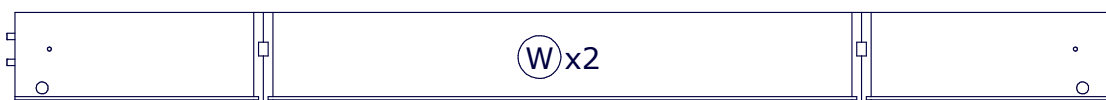
• **CS2241**  
751x157x18mm



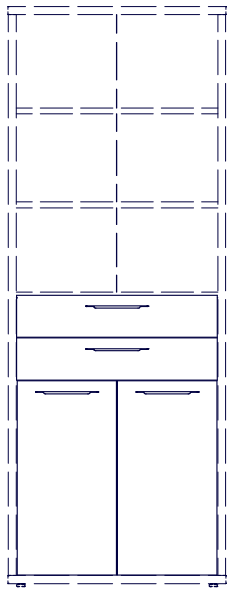
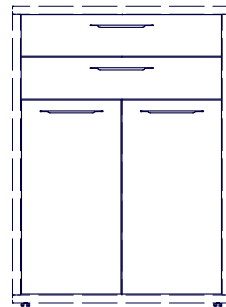
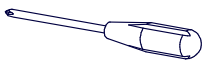
• **SH2536**  
734x311x3mm



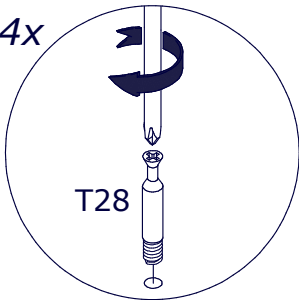
• **AN2053**  
727x373x18mm



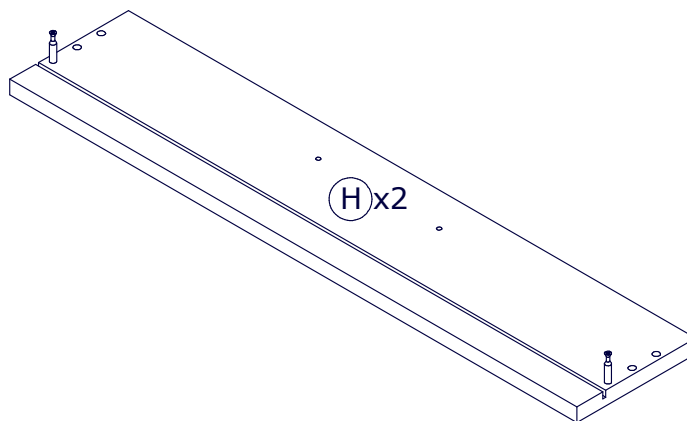
• **OF0277**  
310x747x310mm H.118mm

**A****B****1**

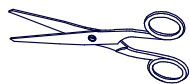
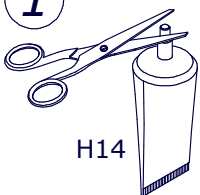
4x



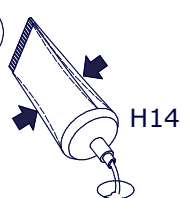
T28



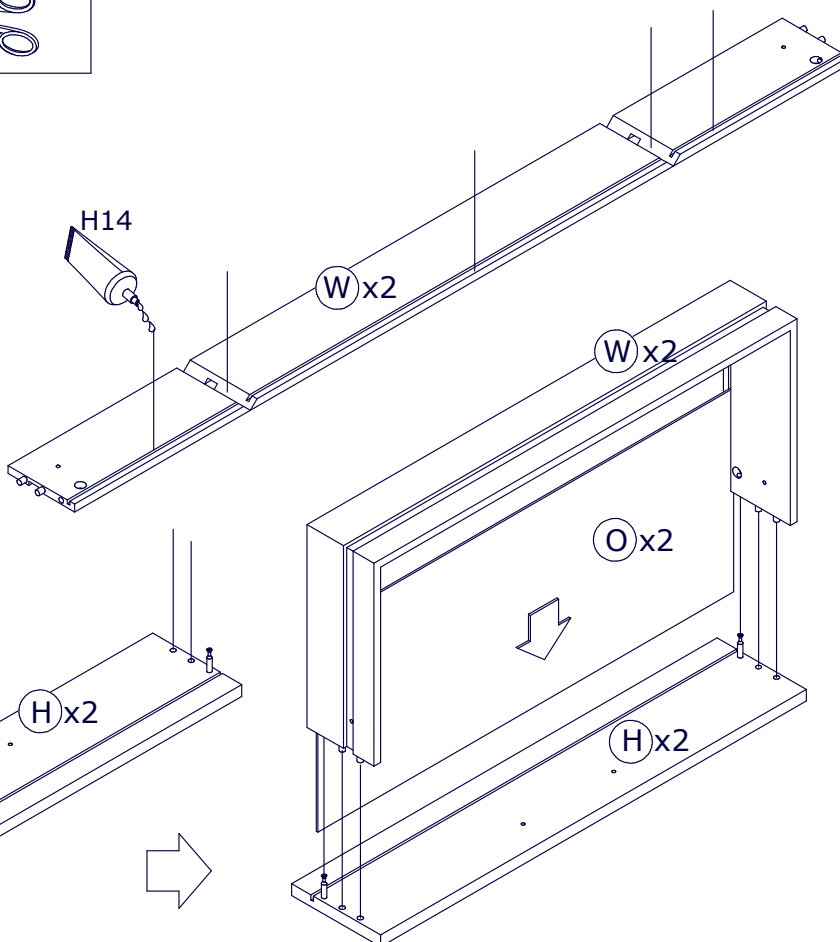
H x2

**2****1**

H14

**2**

H14



H14

W x2

W x2

O x2

H x2

4x

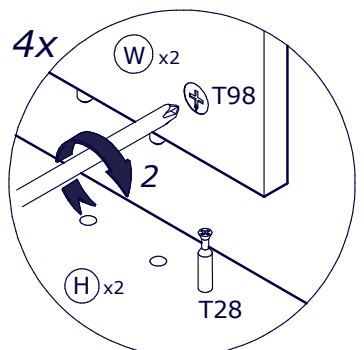
G128



4x

W x2

T98



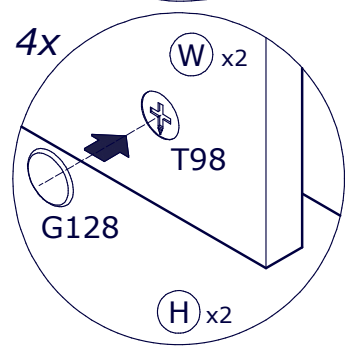
H x2

T28

4x

W x2

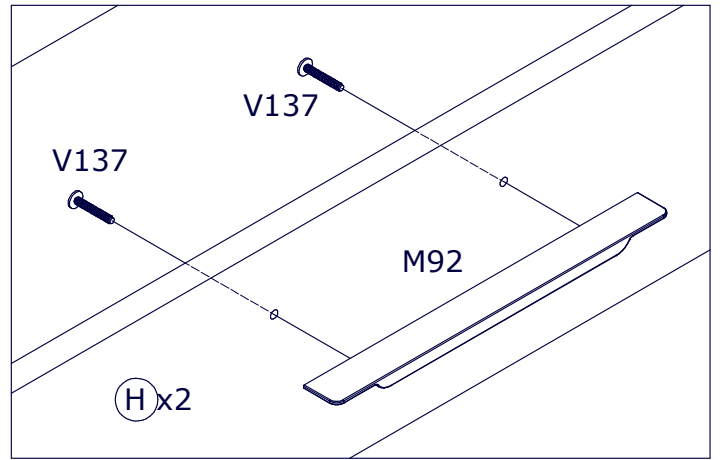
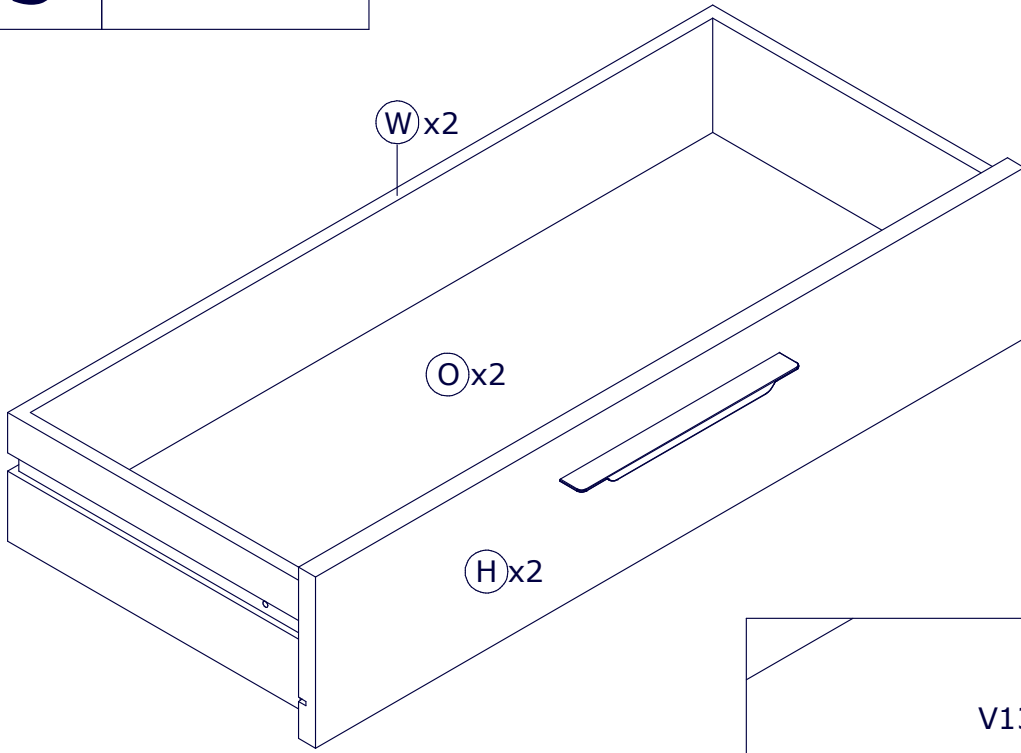
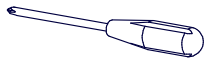
T98



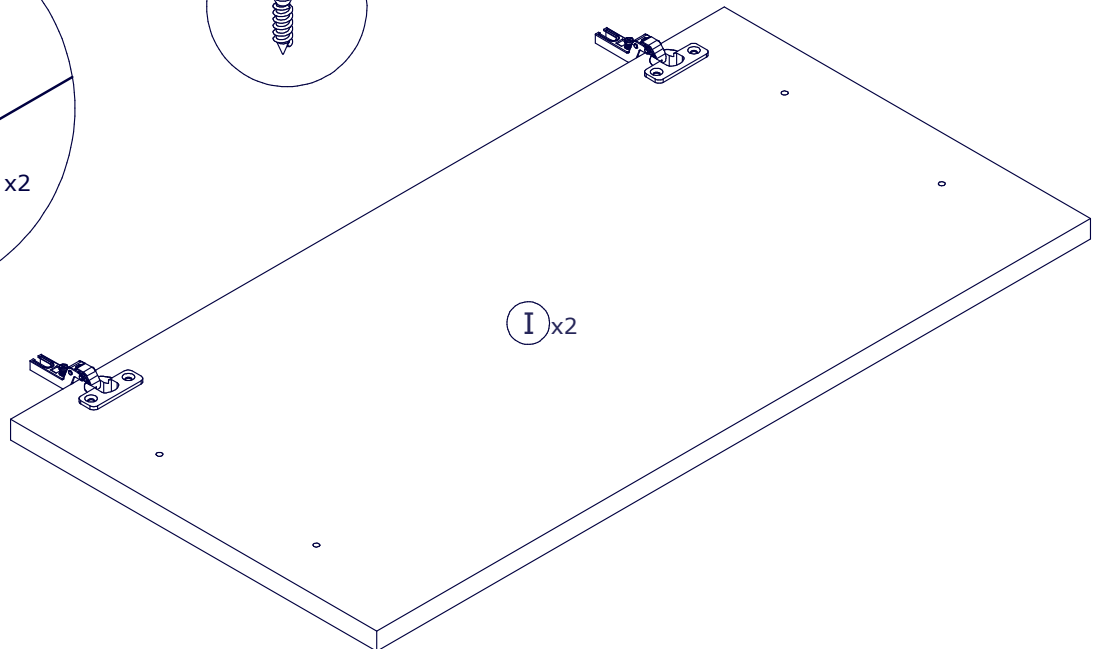
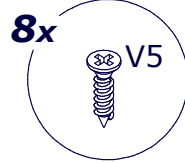
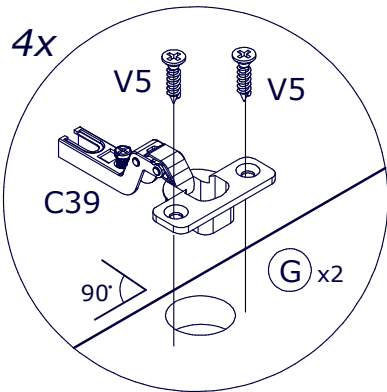
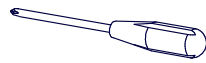
G128

H x2

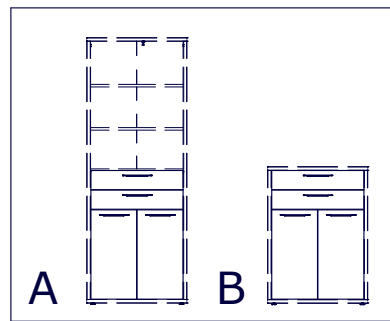
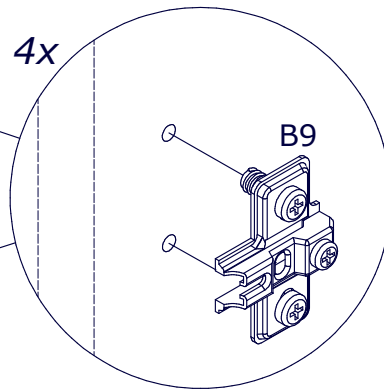
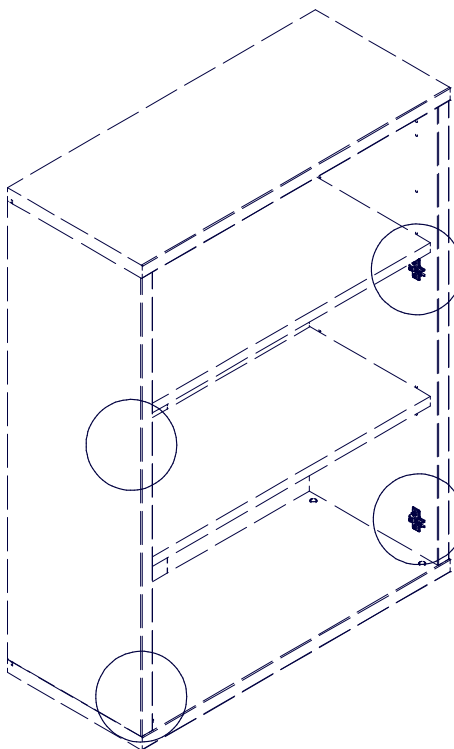
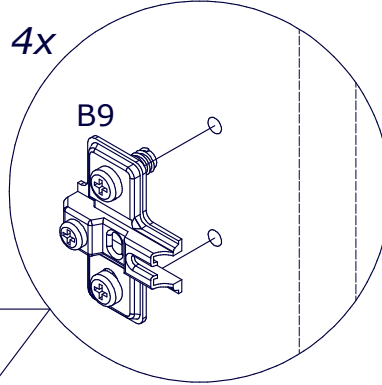
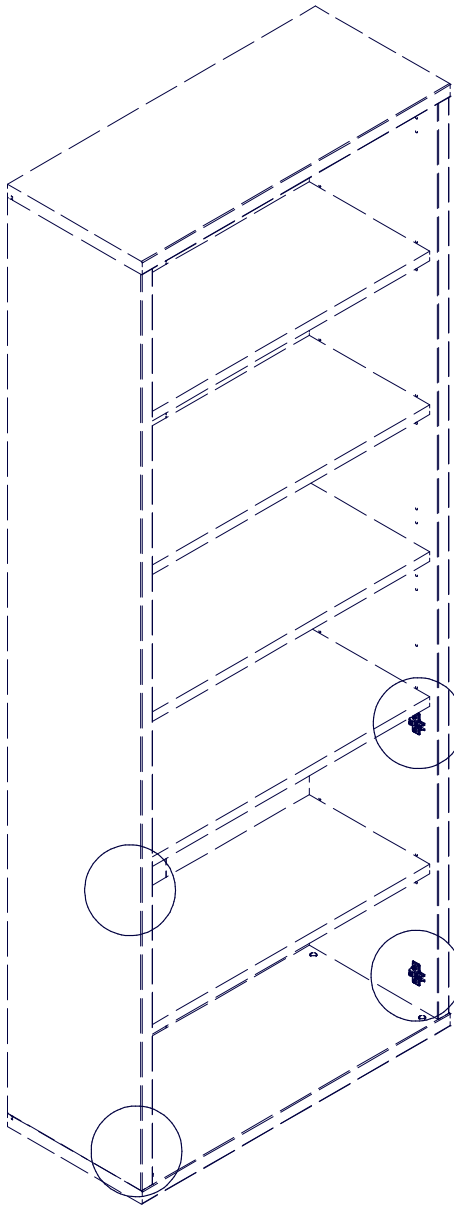
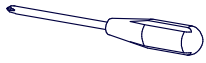
3



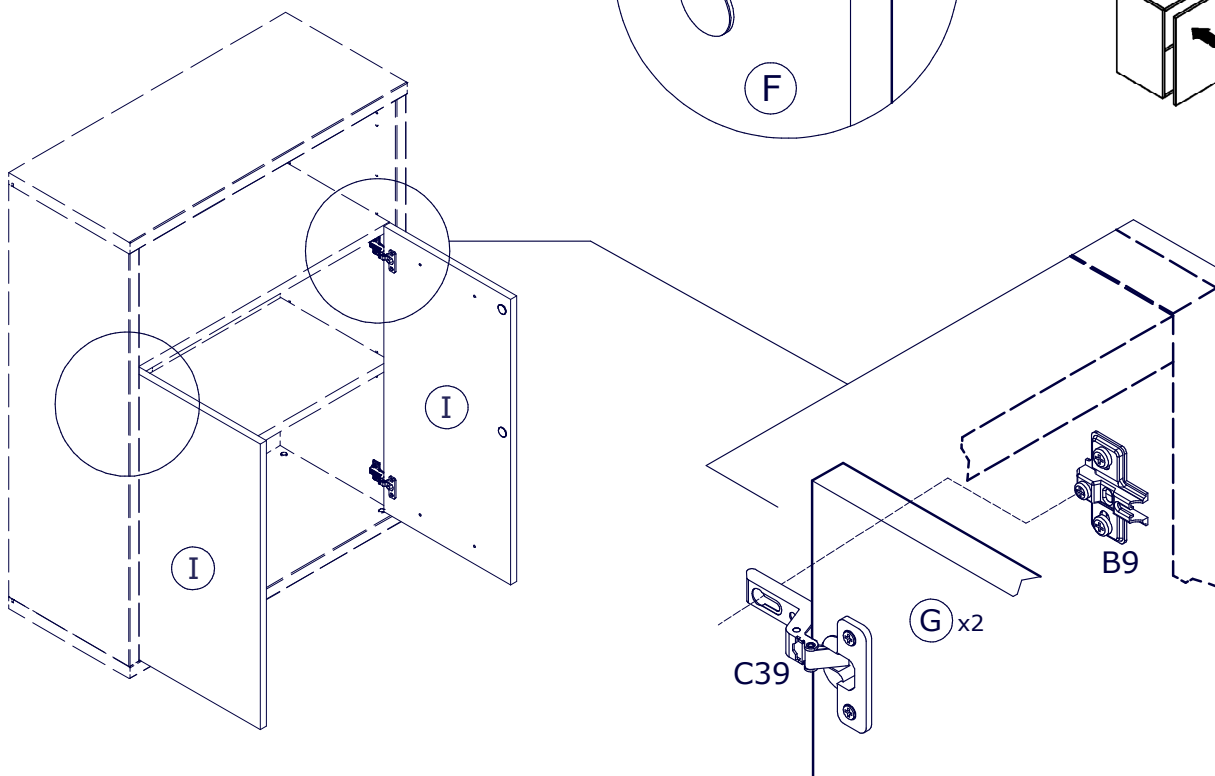
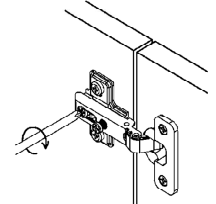
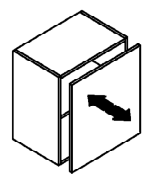
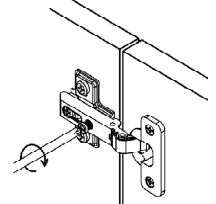
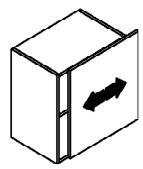
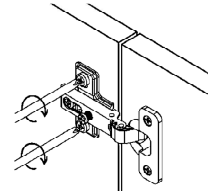
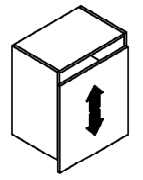
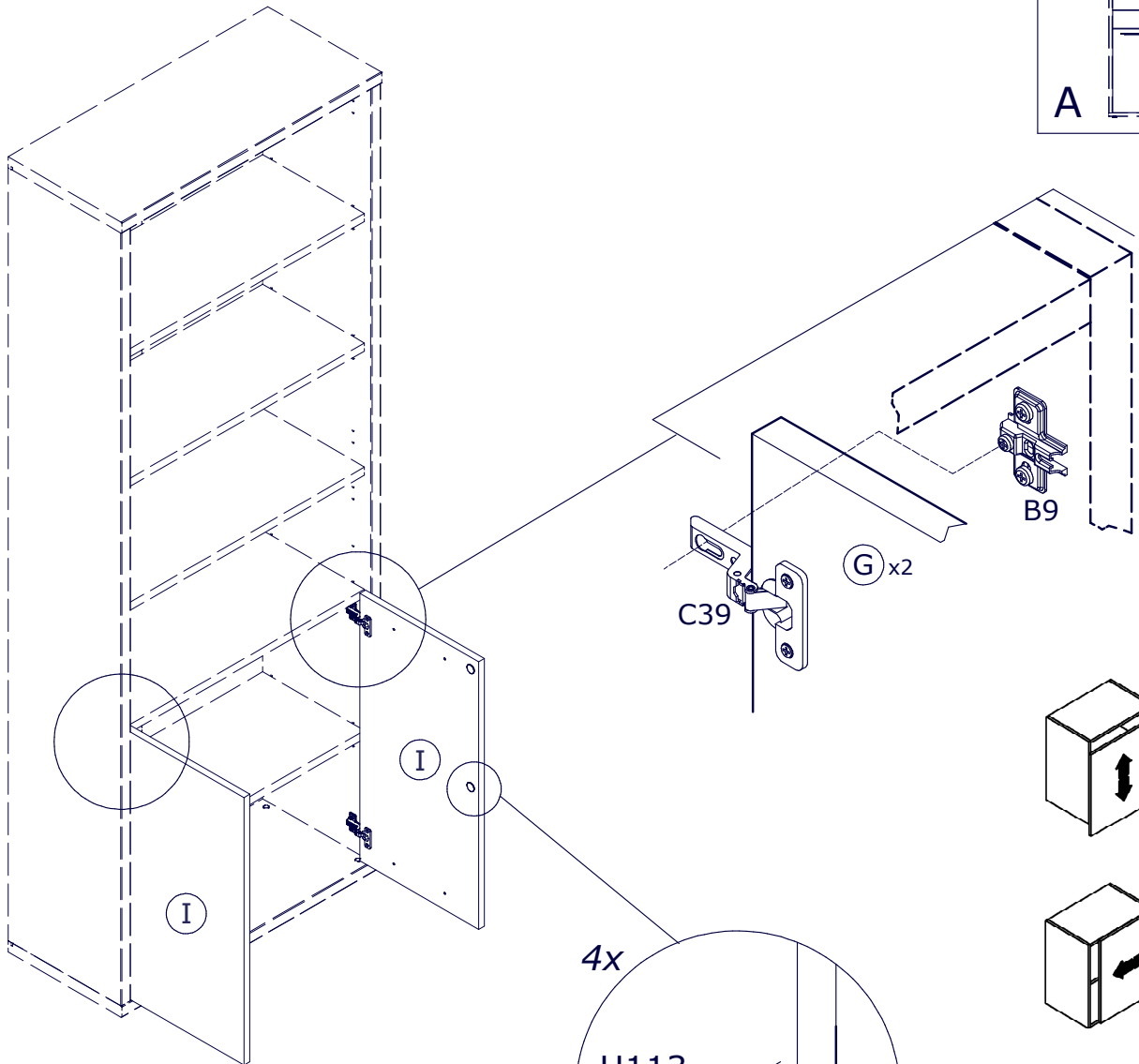
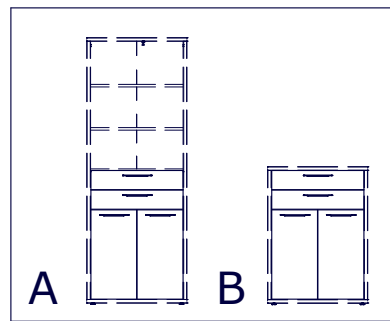
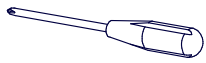
4



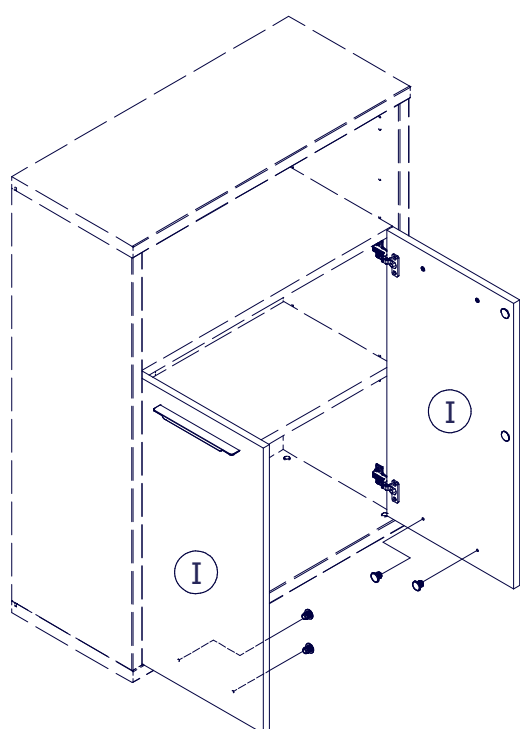
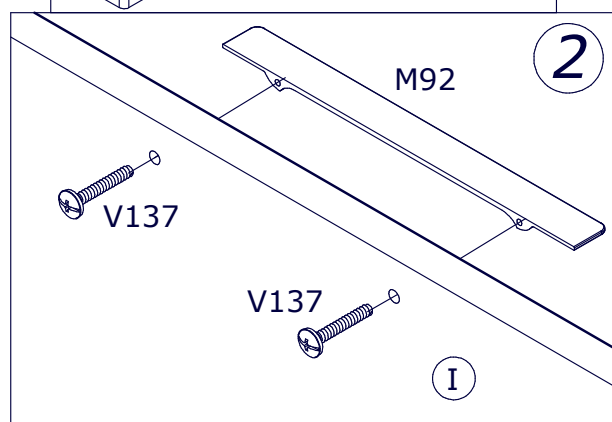
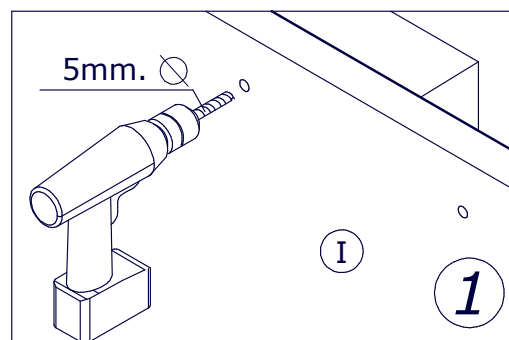
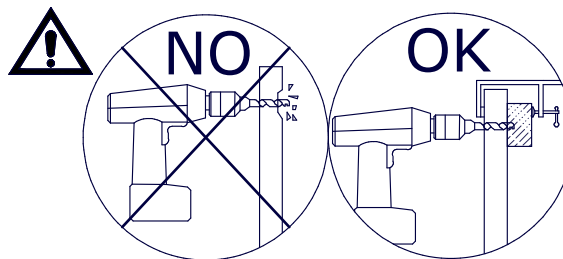
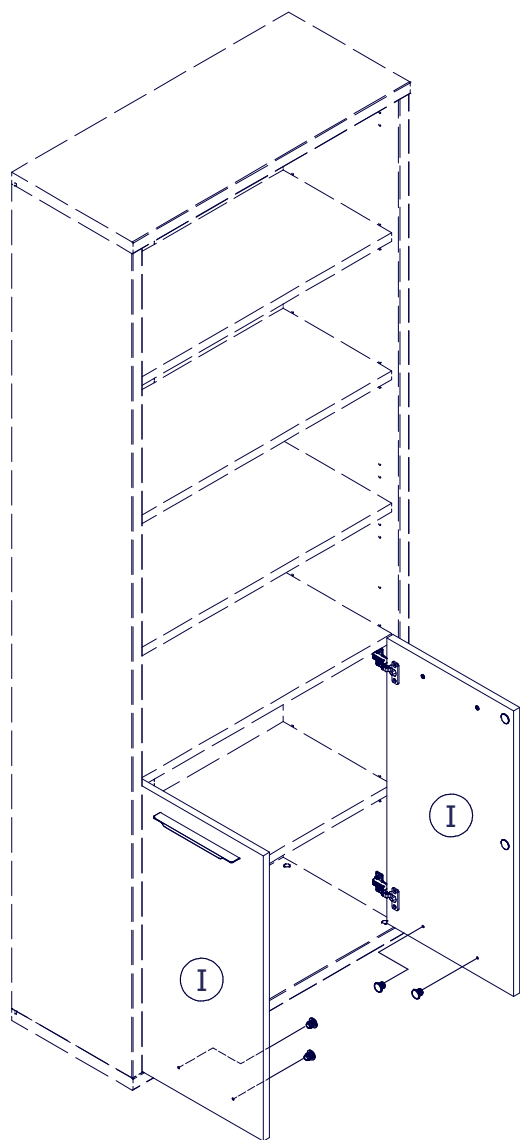
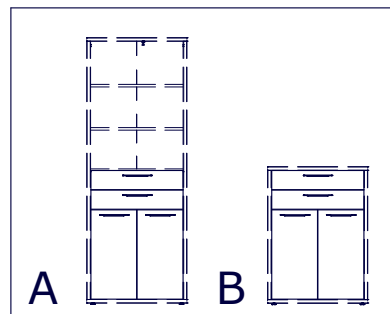
5



6



7





8

