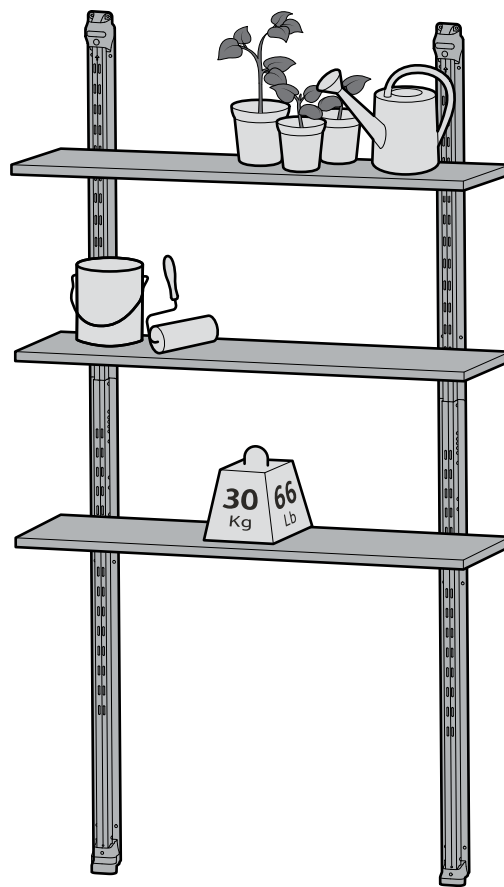




Create amazing spaces™

MANUAL SHELVING KIT

USER MANUAL | MODE D'EMPLOI | MANUAL DEL USUARIO | MONTAGEANLEITUNG | MONTAGEHANDLEIDING | MANUALE PER L'UTENTE | MANUAL DO UTILIZADOR



Type A:

Darwin Line
Manor Line

Type B:

Oakland Line
Newton Line
Premier Line

Type C:

Artisan Line
Cortina Line

222222222222



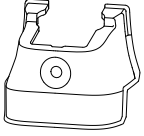
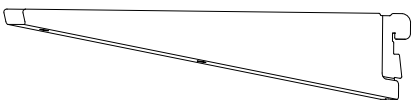
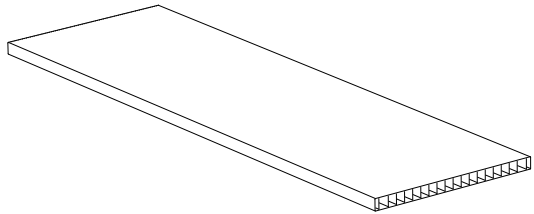
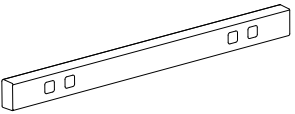
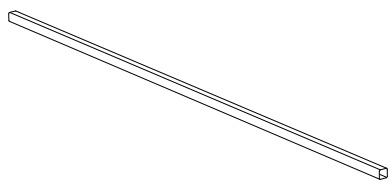
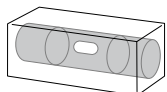
WARRANTY ACTIVATION

Thank you for your purchase of the Keter shed.

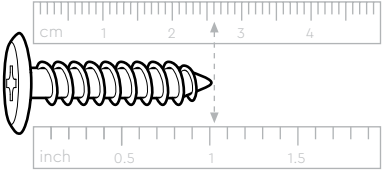
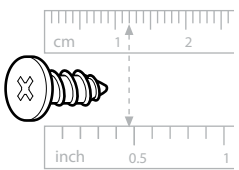
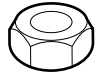
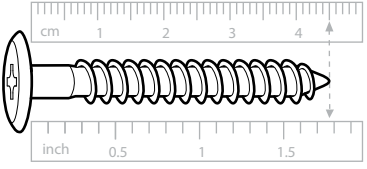
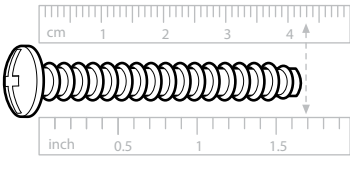
In order to activate your warranty, please log onto our website and fill in the form under warranty activation.

[keter.com/en/warrant-activation](https://www.keter.com/en/warrant-activation)

ASSEMBLY PARTS | PIÈCES À ASSEMBLER | PIEZAS DE ENSAMBLE | MONTAGETEILE | PARTI DA MONTA RE | ONDERDELEN | PEÇAS DE MONTAGEM

	 <p>rsUC (x2)</p>	 <p>rsBC (x2)</p>	 <p>rsB (x6)</p>
	 <p>rs100 (x3)</p>		 <p>rsPS (x6)</p>
	 <p>rsPL (x6)</p>	 <p>rsL(x1)</p>	
<p>rsU (x2)</p>			

SCREWS | VIS | TORNILLOS | SCHRAUBEN | SCHROEVEN | VITI | PARAFUSOS

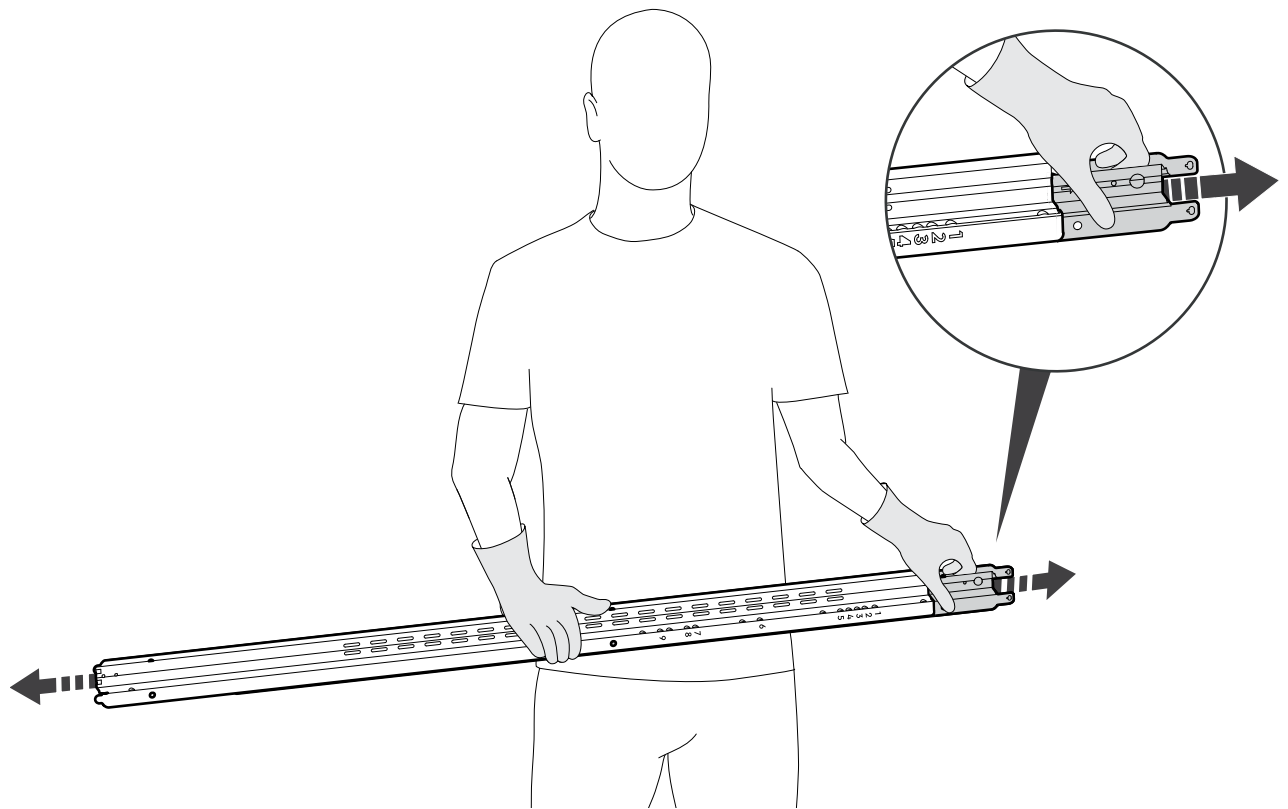
 <p>s26b (x14) 26mm / 1"</p>	 <p>sc12t (x16) 12 mm / 0.47"</p>	 <p>scN8 (x4)</p>
 <p>s45b (x6) 45 mm / 1.77"</p>	 <p>sc8 (x4) 43 mm / 1.7"</p>	

Packaging may contain some additional small parts for use as spare parts | L'emballage peut contenir de petites pièces supplémentaires à utiliser comme pièces de rechange | El envoltorio puede contener algunas piezas pequeñas adicionales que se pueden utilizar como repuestos | In der Verpackung können kleine Zusatzteile enthalten sein, die als Ersatzteile genutzt werden können | De verpakking kan een aantal kleine extra onderdelen bevatten, die als reserveonderdeel gebruikt kunnen worden | L'imballo potrebbe contenere piccoli componenti supplementari da utilizzare come ricambistica | A embalagem pode conter algumas pequenas peças adicionais para utilização como peças de reposição

1



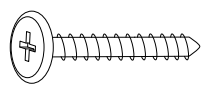
rsU (x1)



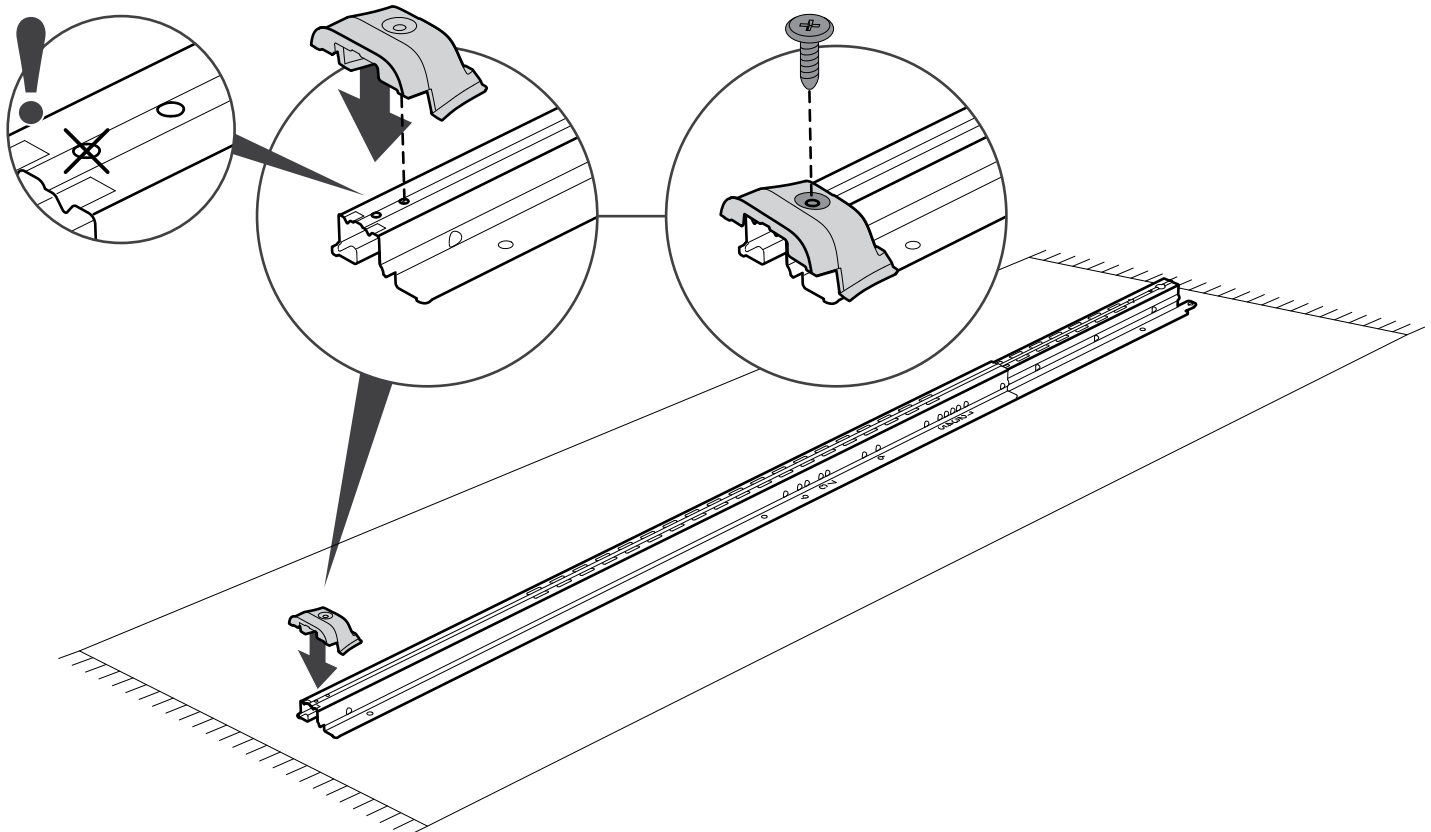
2



rsBC (x1)



s26b (x1)



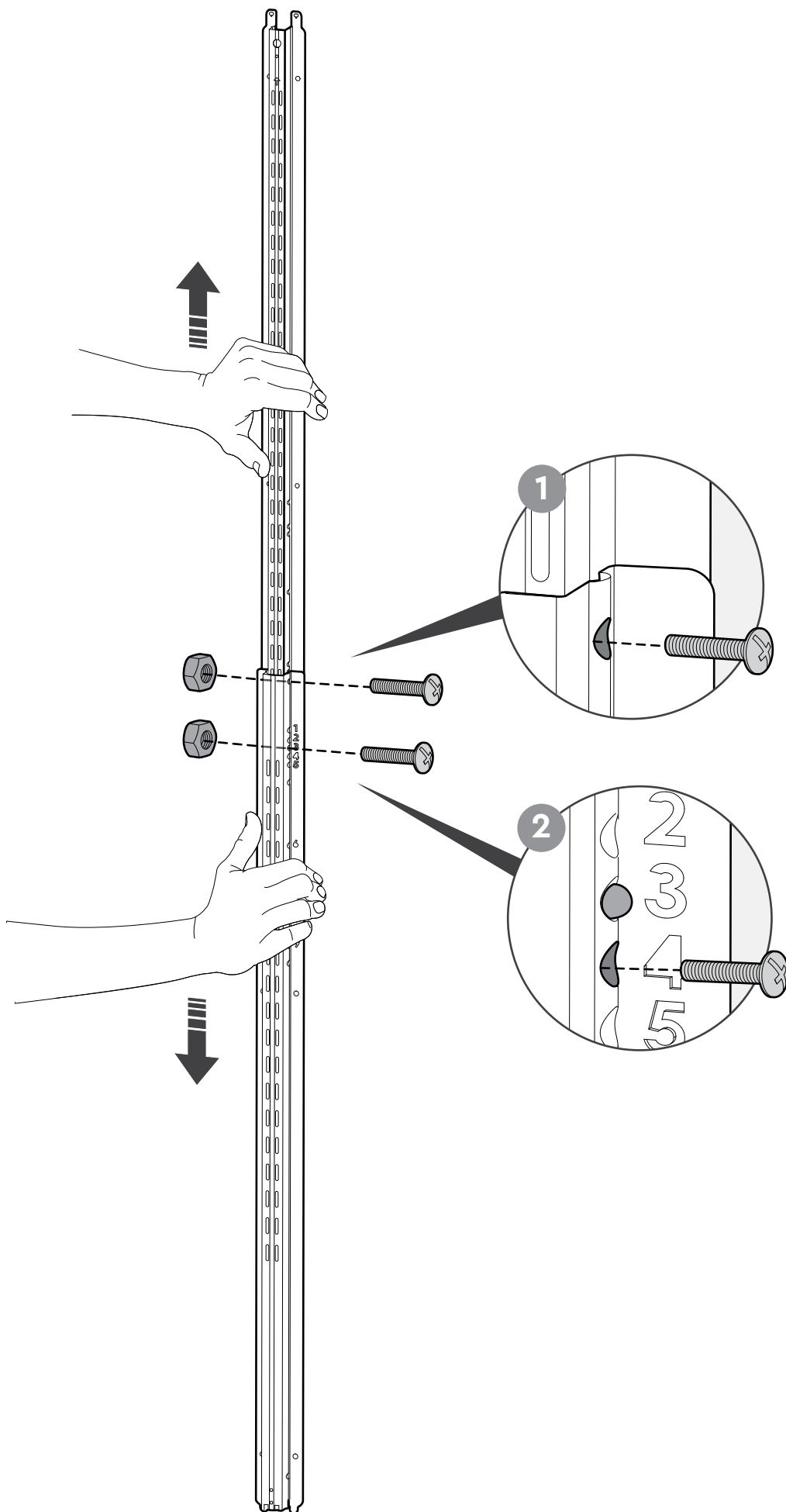
3



sc8 (x2)



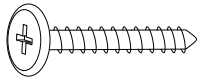
scn8 (x2)



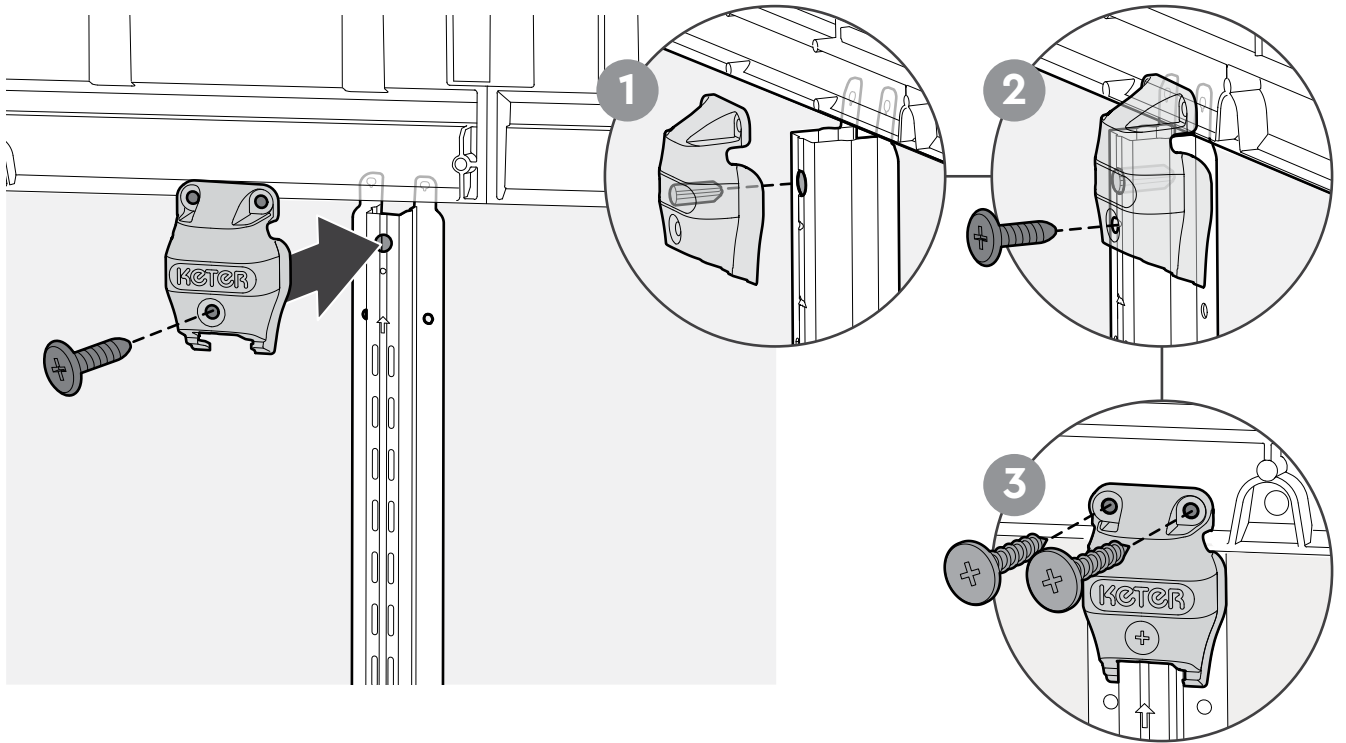
5



rsUC (x1)



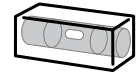
s26b (x3)



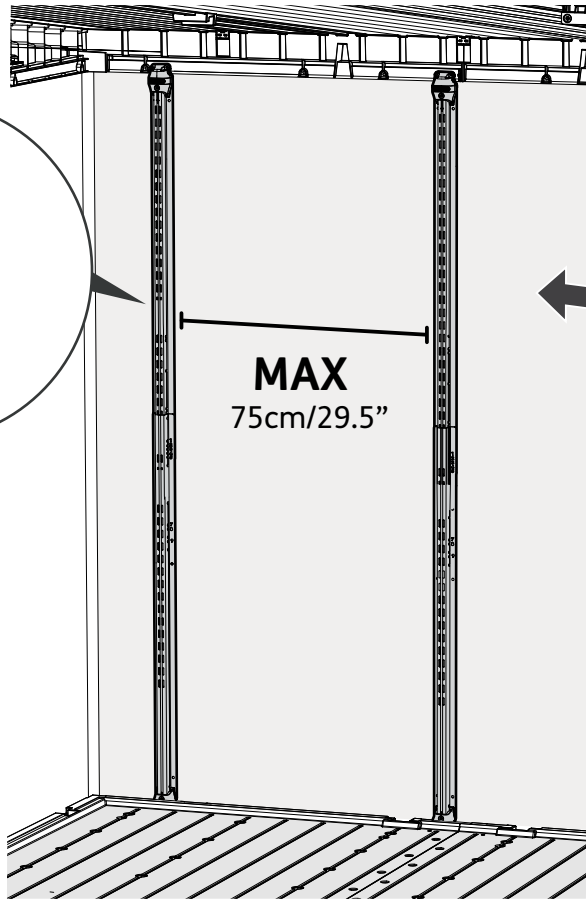
6



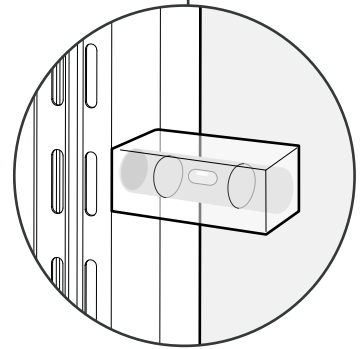
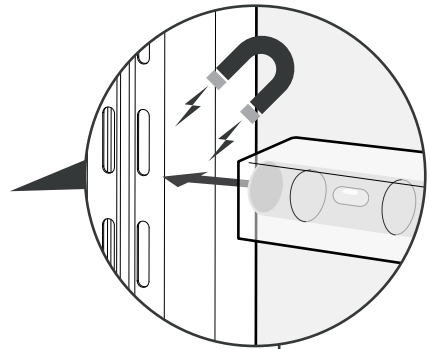
RSU (x1)



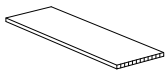
Repeat stages 1-4



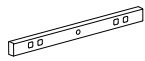
MAX 75cm/29.5"



7



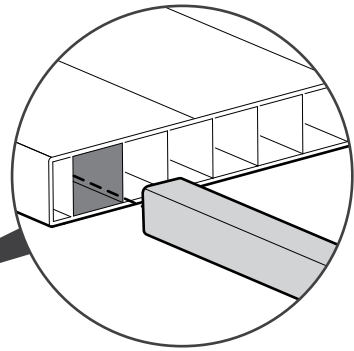
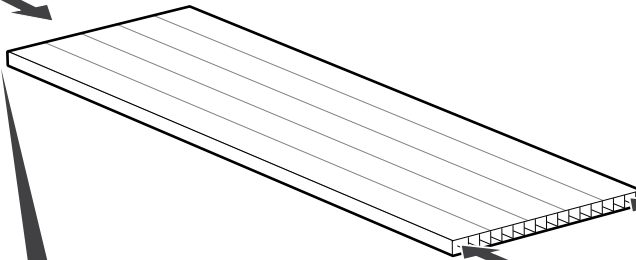
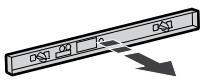
RS100 (x3)



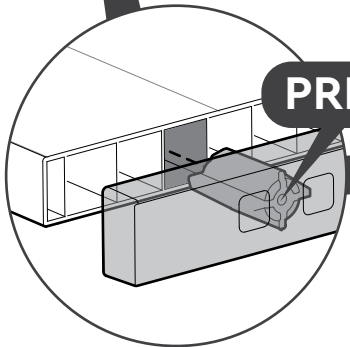
RSPS (x6)



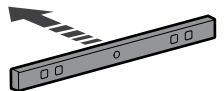
RSPL (x6)



x3



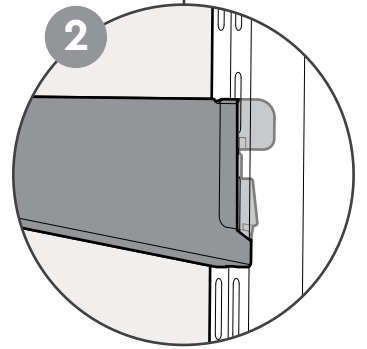
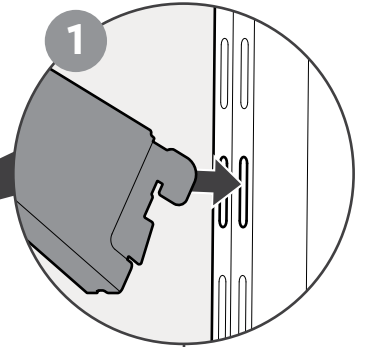
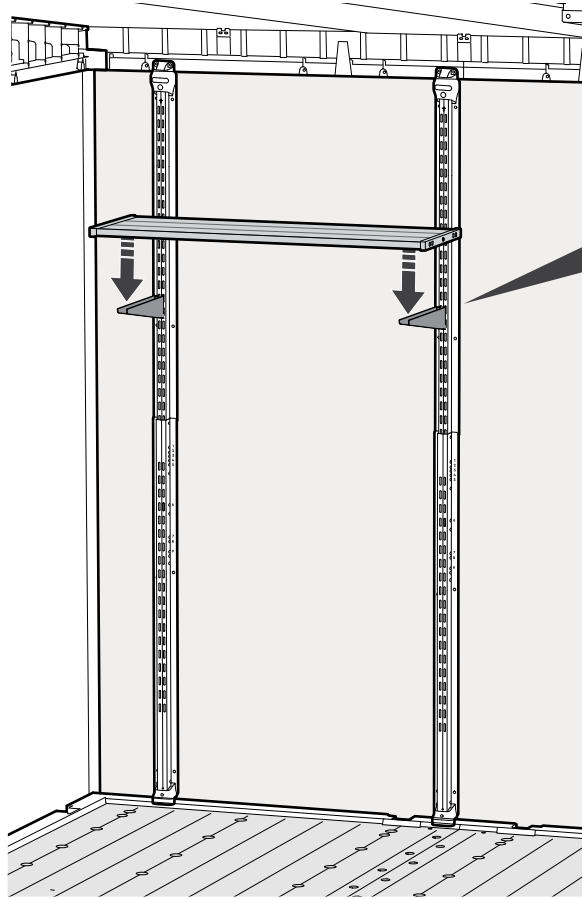
PRESS



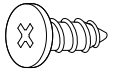
8



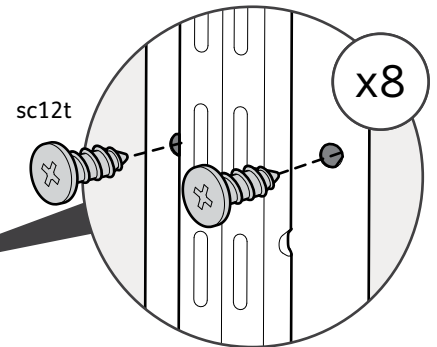
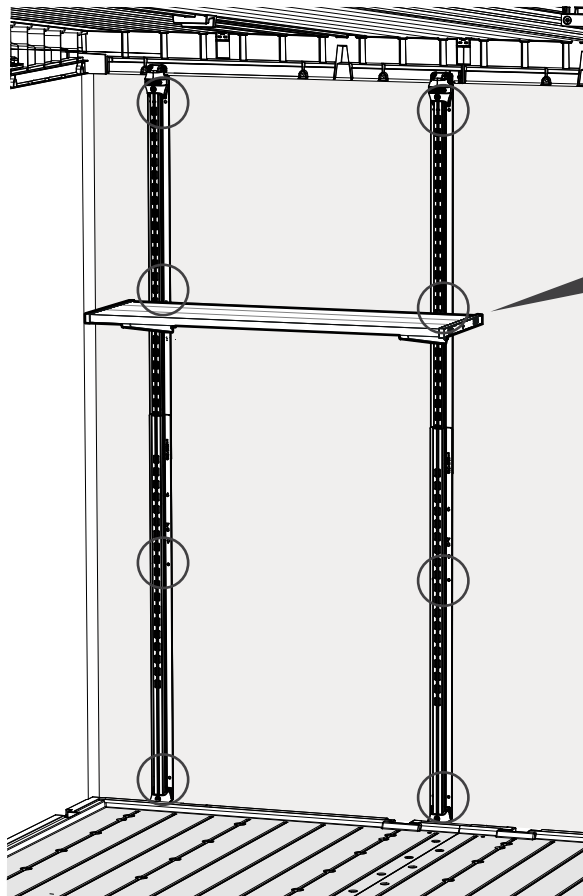
rsB (x2)



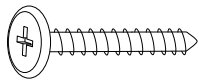
9



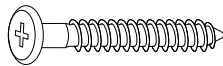
sc12t (x16)



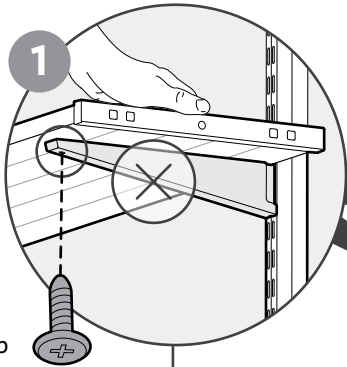
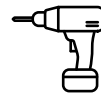
10



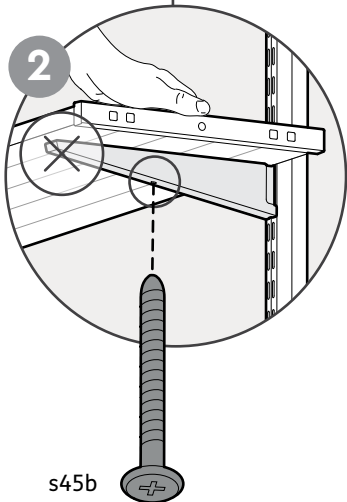
s26b (x2)



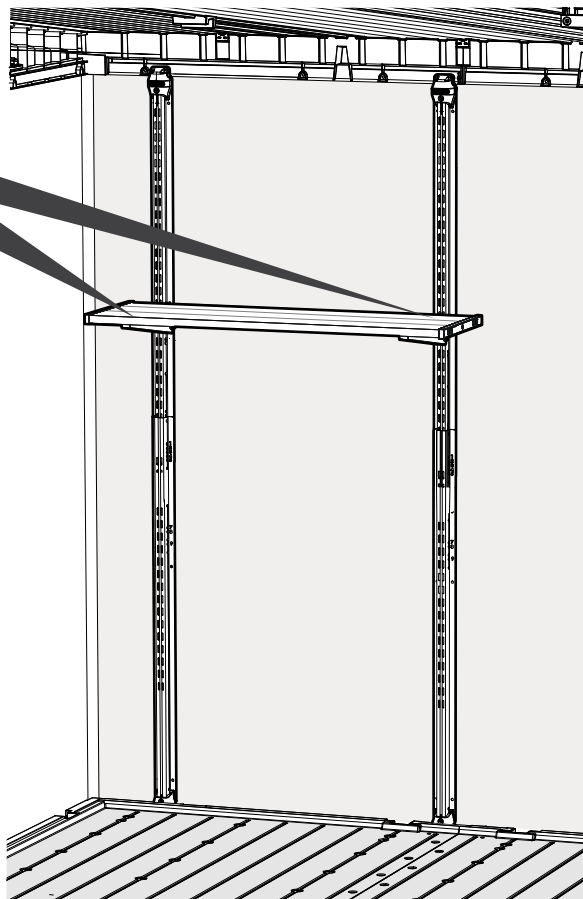
s45b (x2)



s26b



s45b



11

