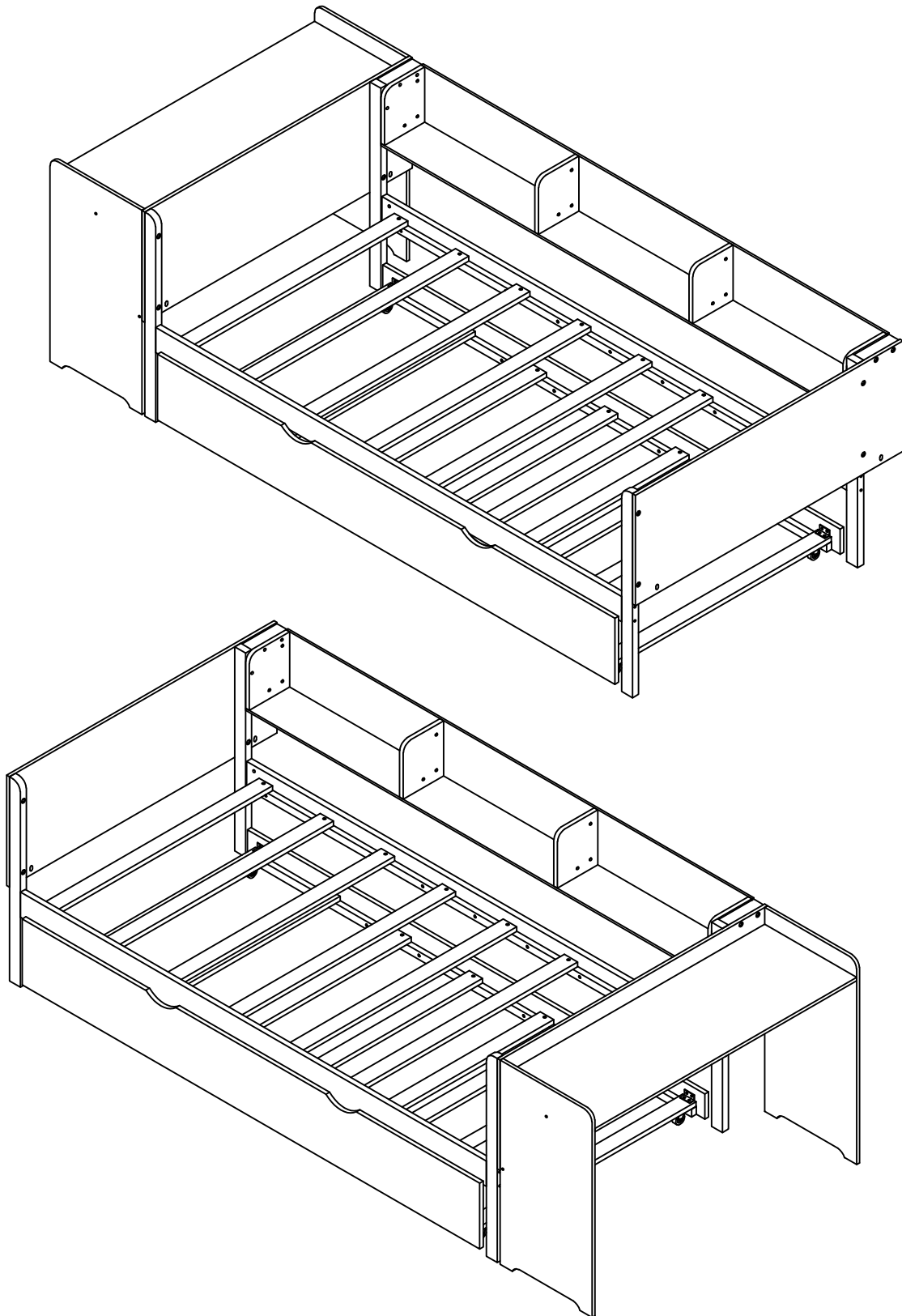


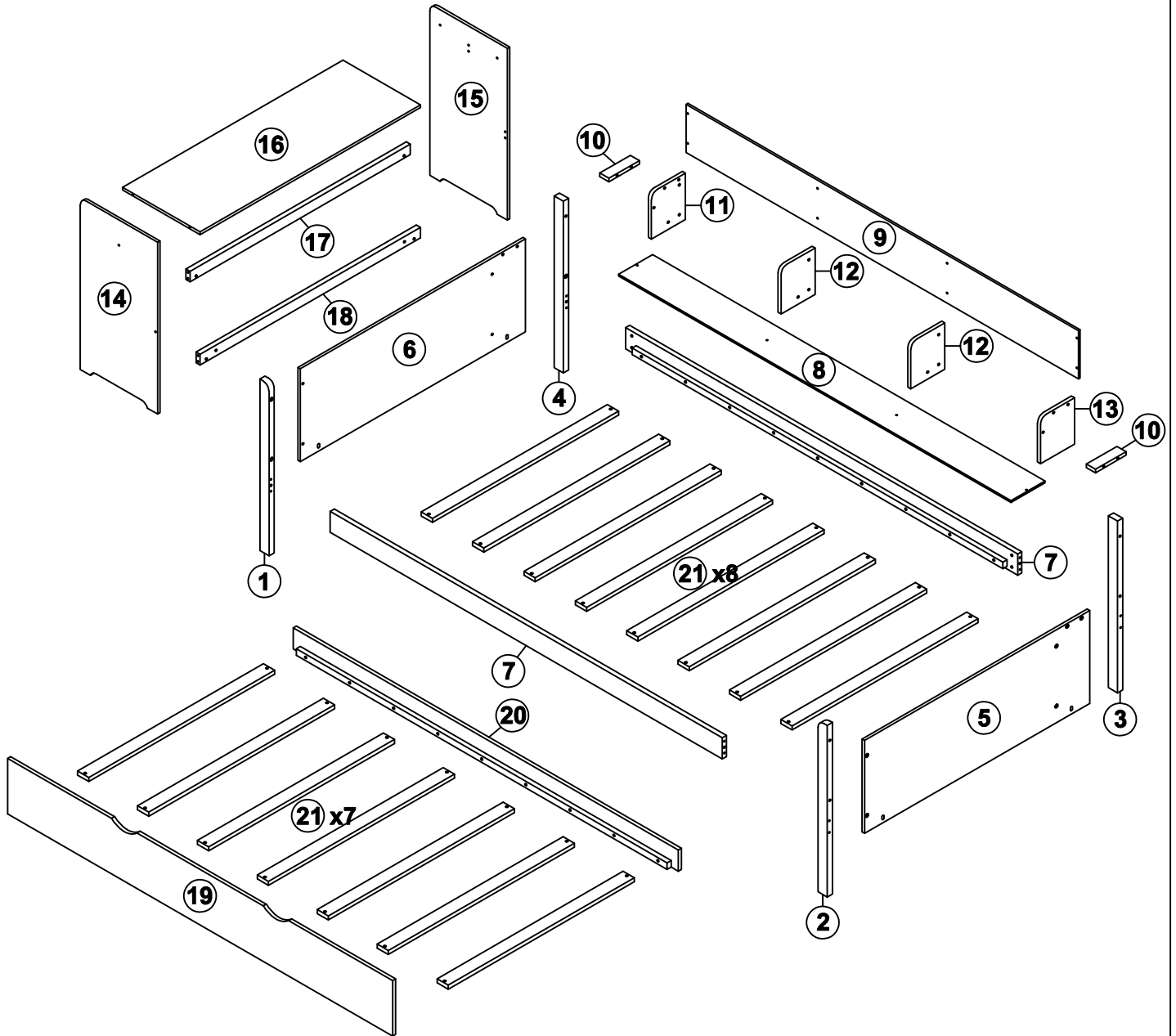
ASSEMBLY INSTRUCTIONS

TWIN BED WITH BOOKCASE & TRUNDLE




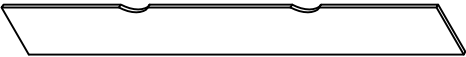

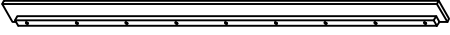

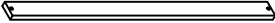
WF321104-WF321105

ASSEMBLY INSTRUCTIONS

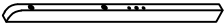

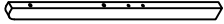

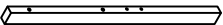
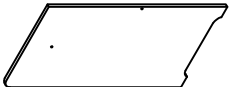


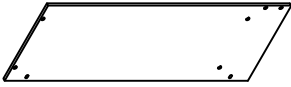


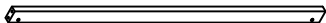
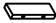
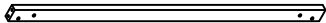



ASSEMBLY INSTRUCTIONS

WF321104








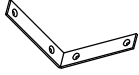

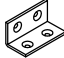





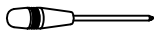
7	 Side rails	2pcs	19	 Front trundle panels	1pc
8	 Support bookcase board	1pc	20	 Back trundle panels	1pc
9	 Back bookcase board	1pc	21	 Slats	15pcs

WF321105 (Hardware in this SKU)

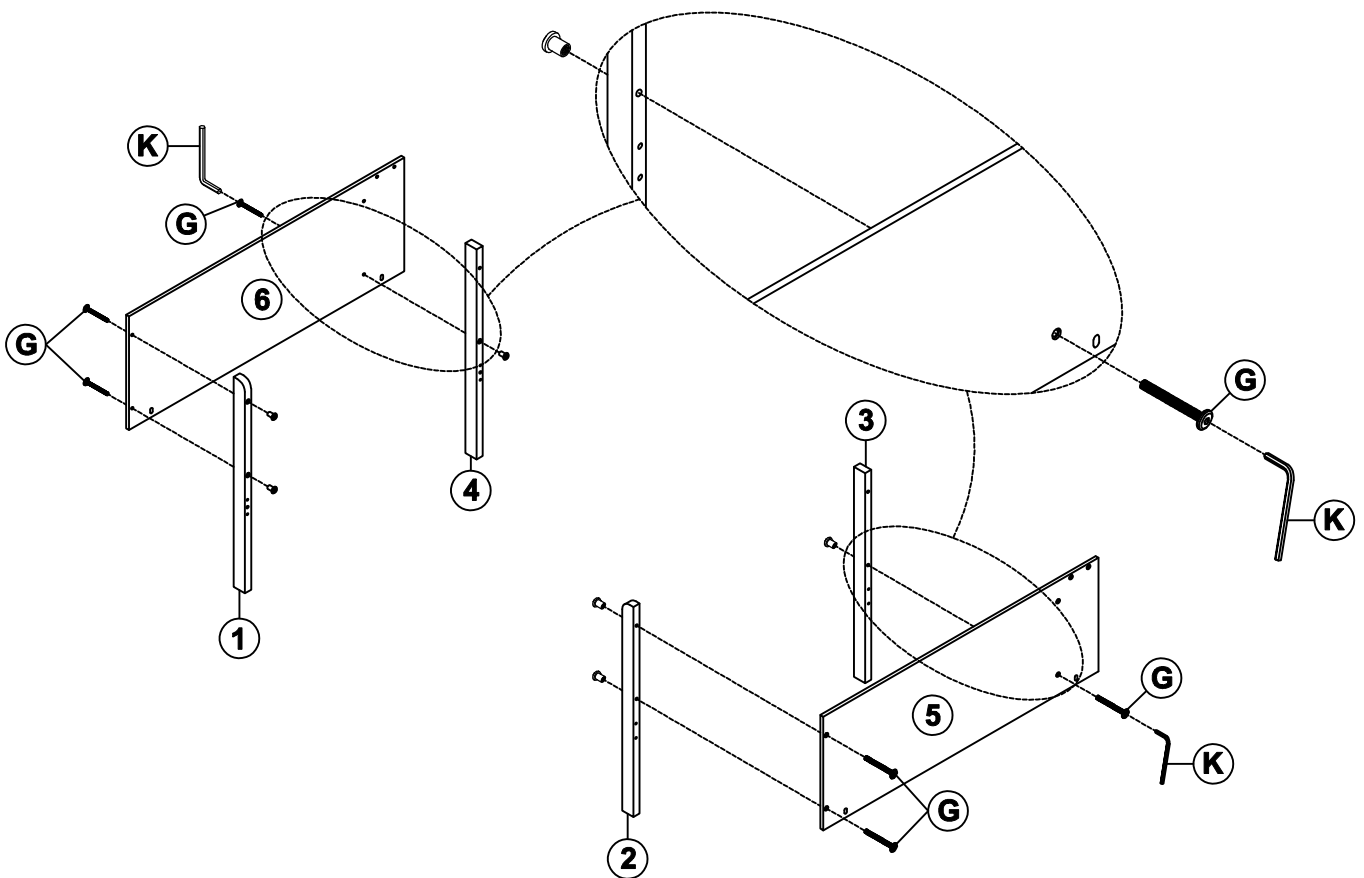
1	 Leg	1pc	12	 Bookcase shelves	2pcs
2	 Leg	1pc	13	 Bookcase shelves	1pc
3	 Leg	1pc	14	 Side panels (desk)	1pc
4	 Leg	1pc	15	 Side panels (desk)	1pc
5	 Headboard frames	1pc	16	 Top table panel (desk)	1pc
6	 Headboard frames	1pc	17	 Crossbar (desk)	1pc
10	 Bookcase frame support	2pcs	18	 Crossbar (desk)	1pc
11	 Bookcase shelves	1pc			



ASSEMBLY INSTRUCTIONS

WF321105 (Hardware in this SKU)

A	Ø4x30		30PCS	I	Ø10x40		4PCS
B	Ø4x15		32PCS	J	Ø8x30		8PCS
C	Ø3.5x12		8PCS	K	4x58		1PC
D	1/4x90		8PCS	L	95x95x20		2PCS
E	1/4x50		16PCS	M	40x20x20		2PCS
F	1/4x65		6PCS	N	15x15x2		4PCS
G	1/4x45		6PCS	O	Ø38x46x38		4PCS
H	1/4x25		2PCS		Phillip head screw Not include		

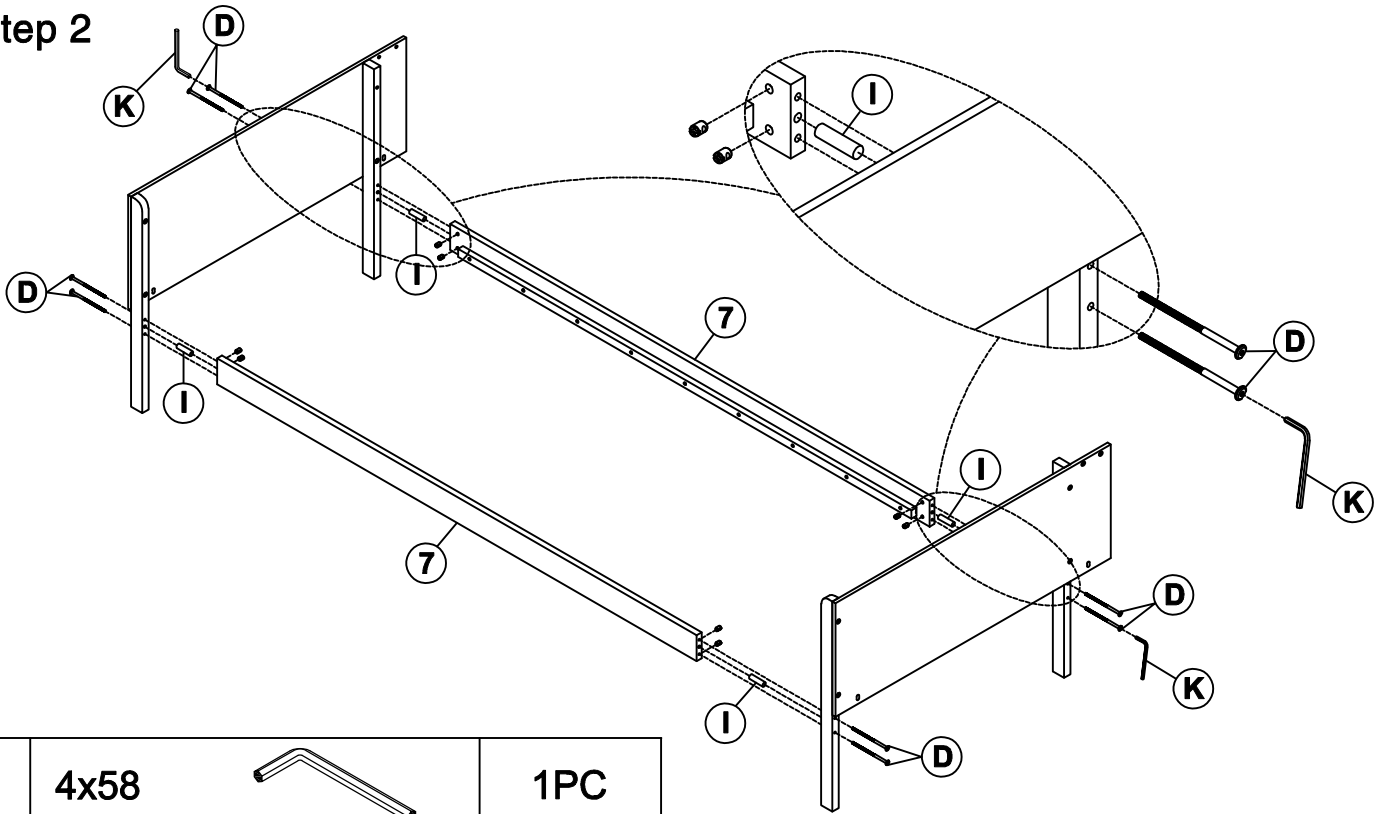
Step 1






G	1/4x45		6PCS	K	4x58		1PC
----------	--------	---	------	----------	------	---	-----

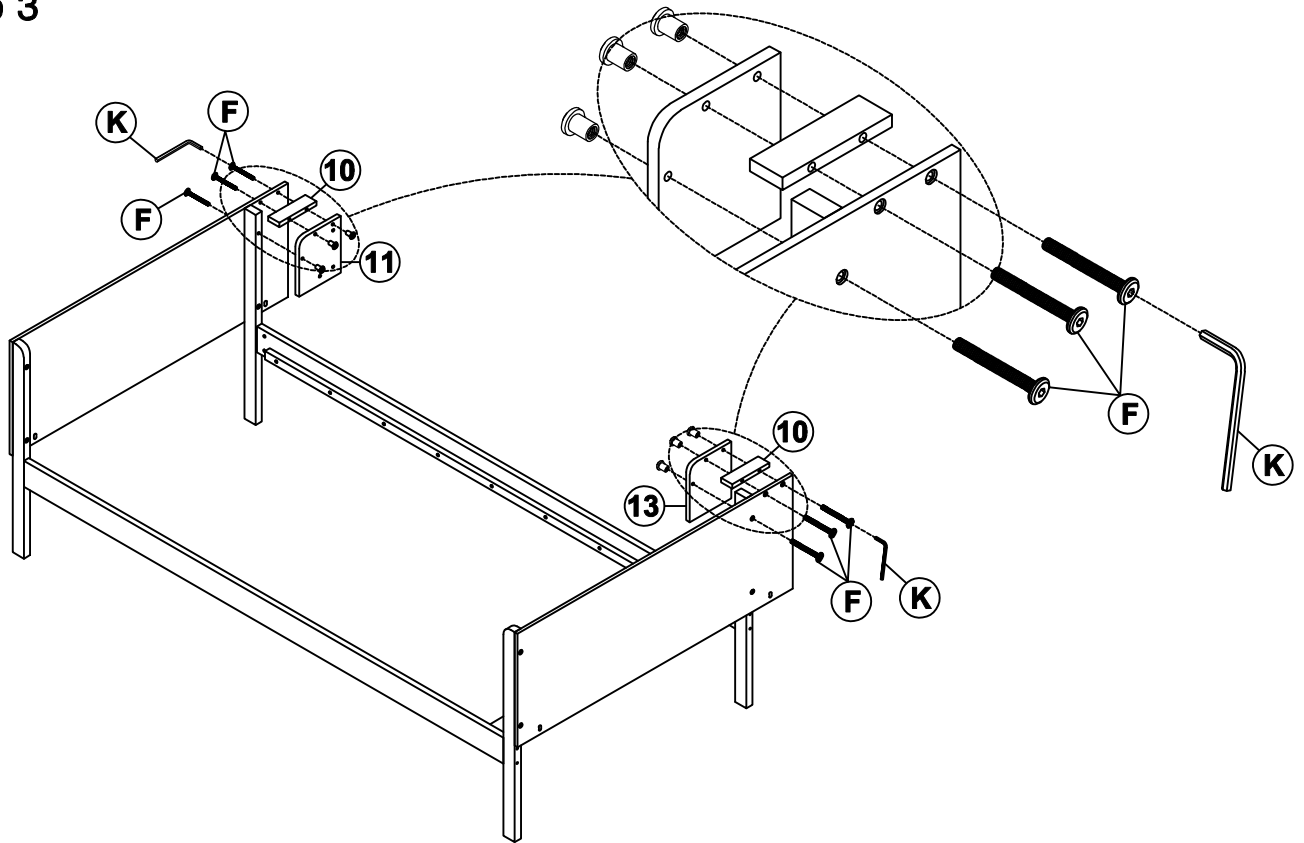
ASSEMBLY INSTRUCTIONS



Step 2



K	4x58		1PC				
D	1/4x90		8PCS	I	Ø10x40		4PCS

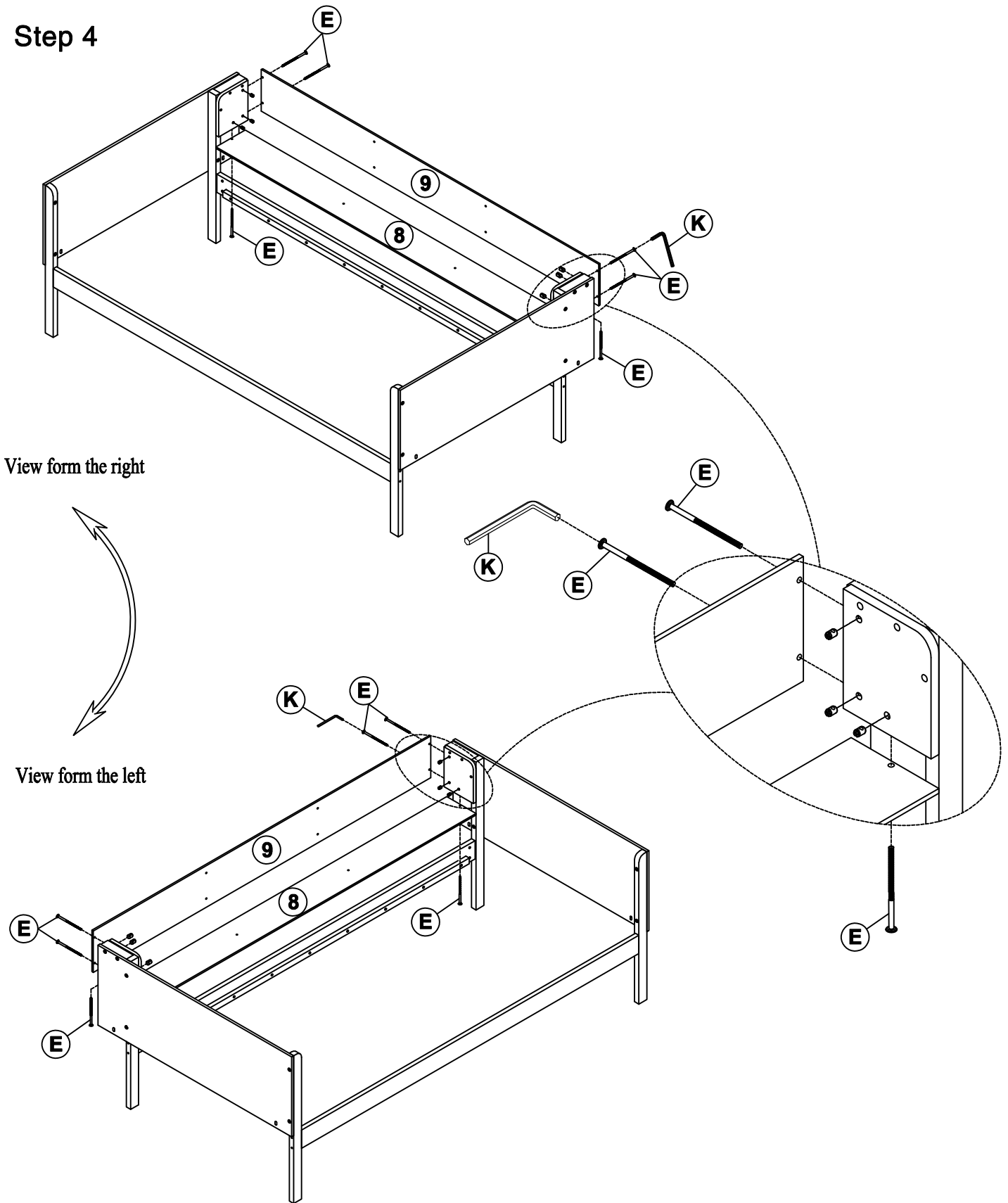
Step 3





F	1/4x65		6PCS	K	4x58		1PC
----------	--------	---	------	----------	------	---	-----

ASSEMBLY INSTRUCTIONS

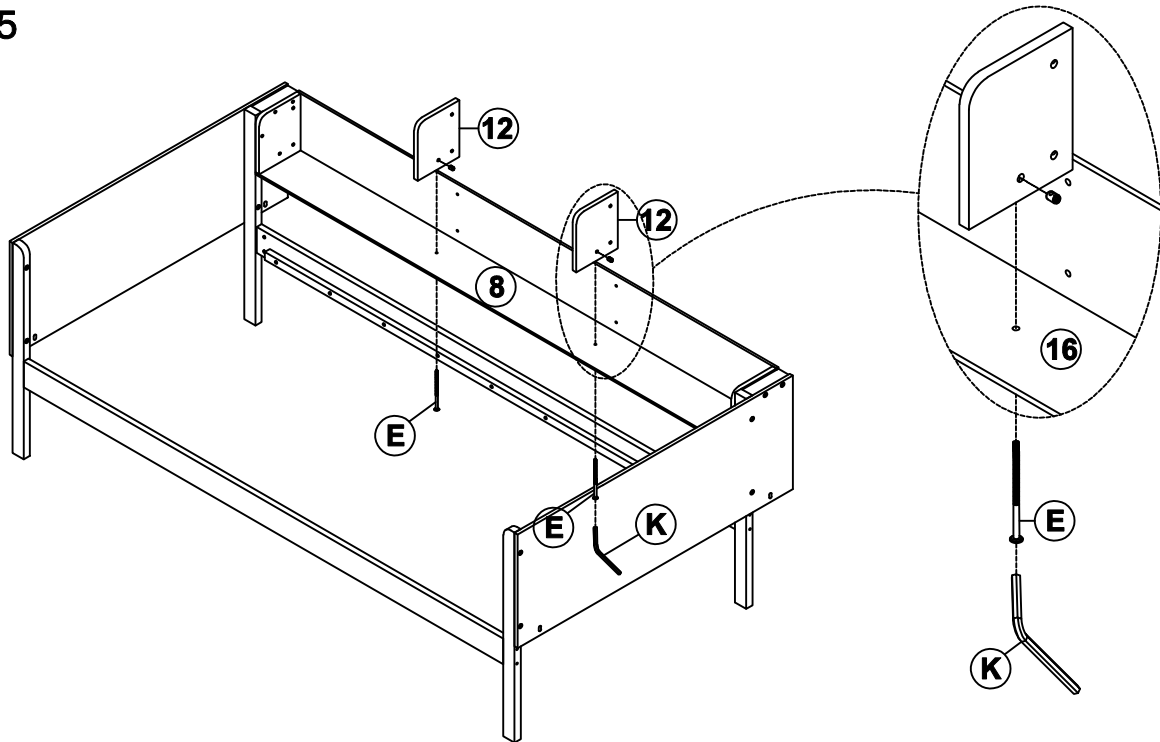
Step 4



E	1/4x50		6PCS	K	4x58		1PC
----------	--------	---	------	----------	------	---	-----

ASSEMBLY INSTRUCTIONS

Step 5



E 1/4x50



2PCS

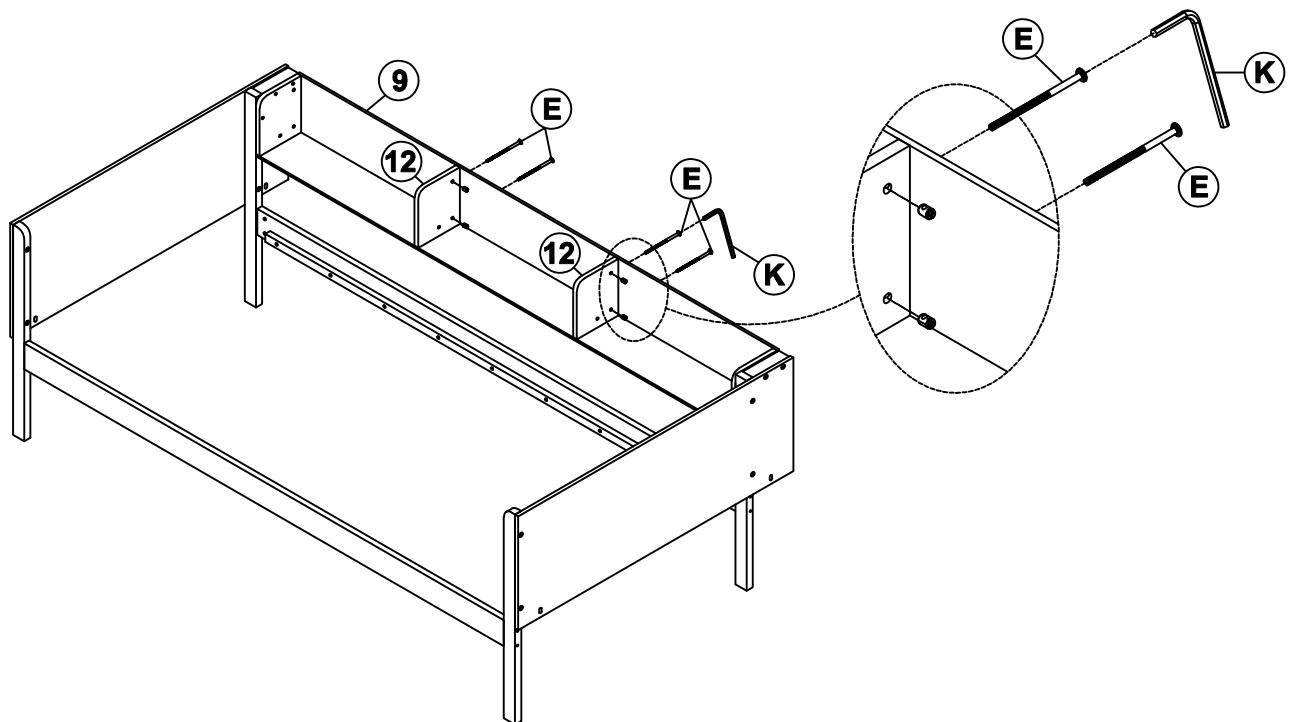
K

4x58



1PC

Step 6



E 1/4x50



4PCS

K

4x58

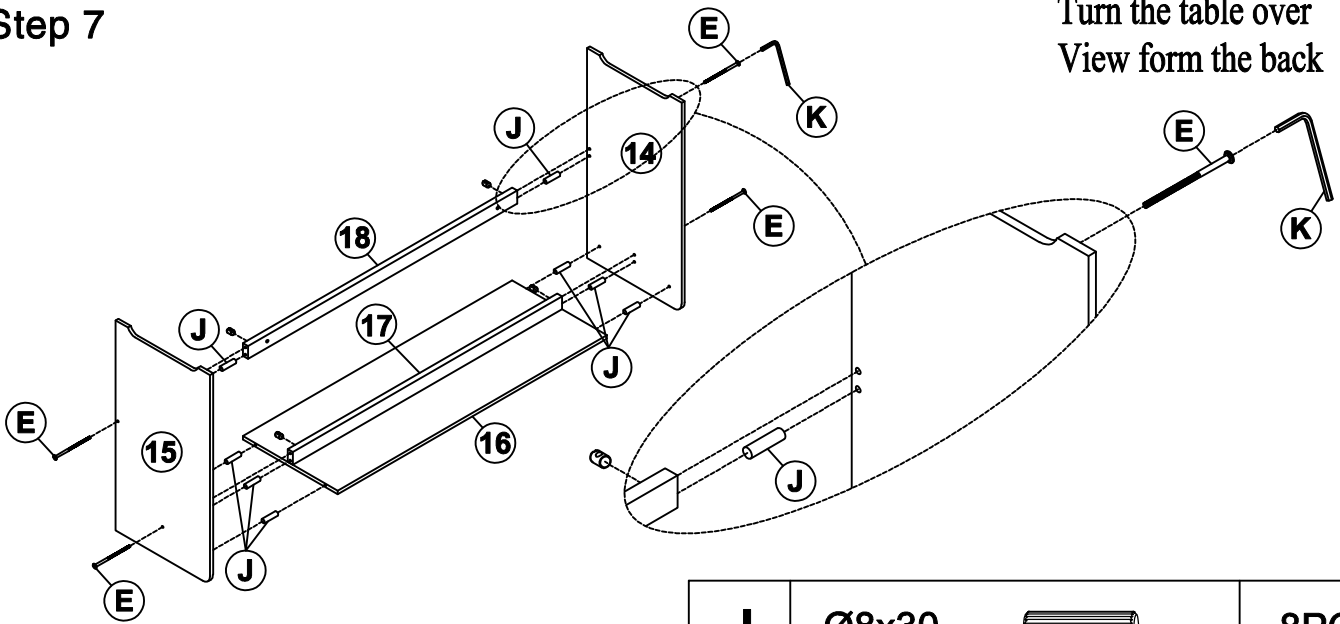



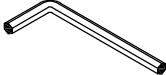
1PC


ASSEMBLY INSTRUCTIONS

Step 7

Turn the table over
View form the back



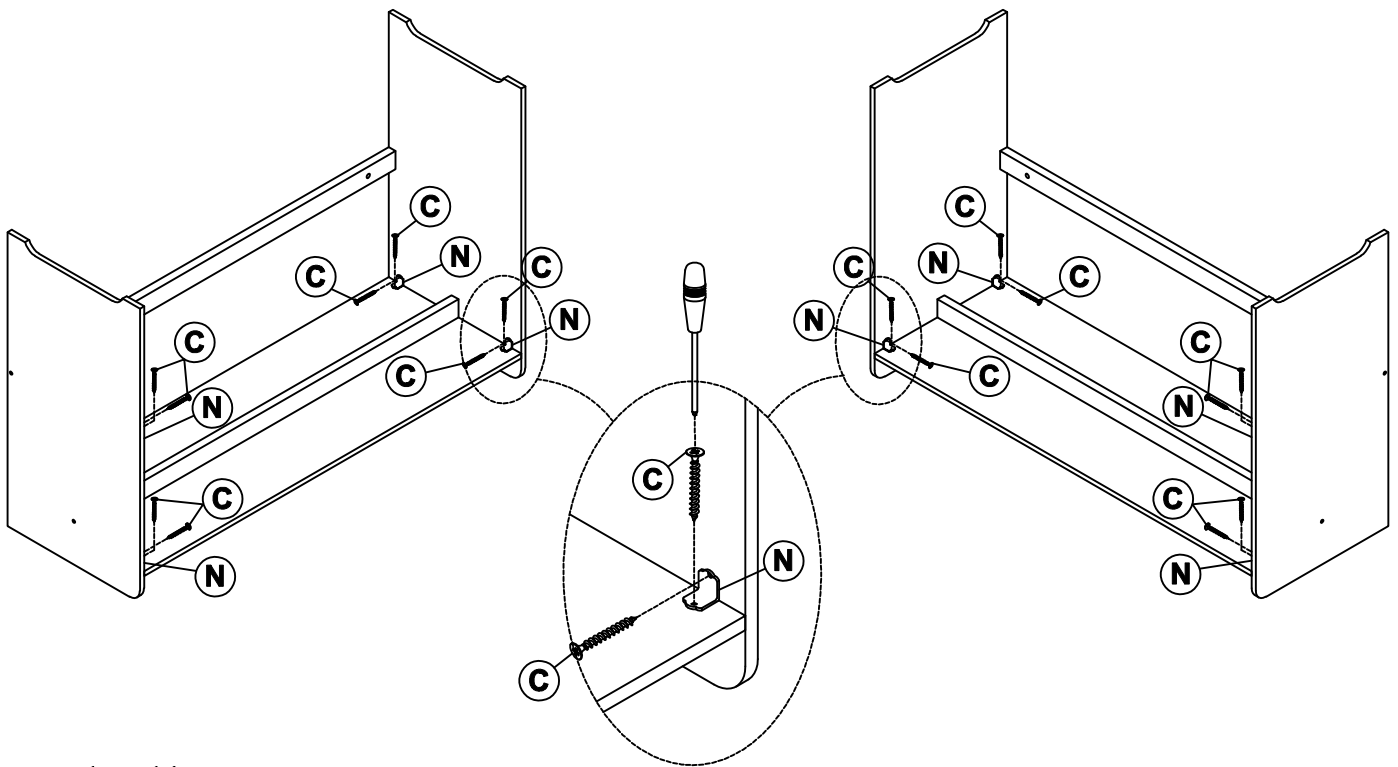
J	Ø8x30		8PCS
K	4x58		1PC

E	1/4x50		4PCS
----------	--------	---	------



Step 8

View form the right

View form the left



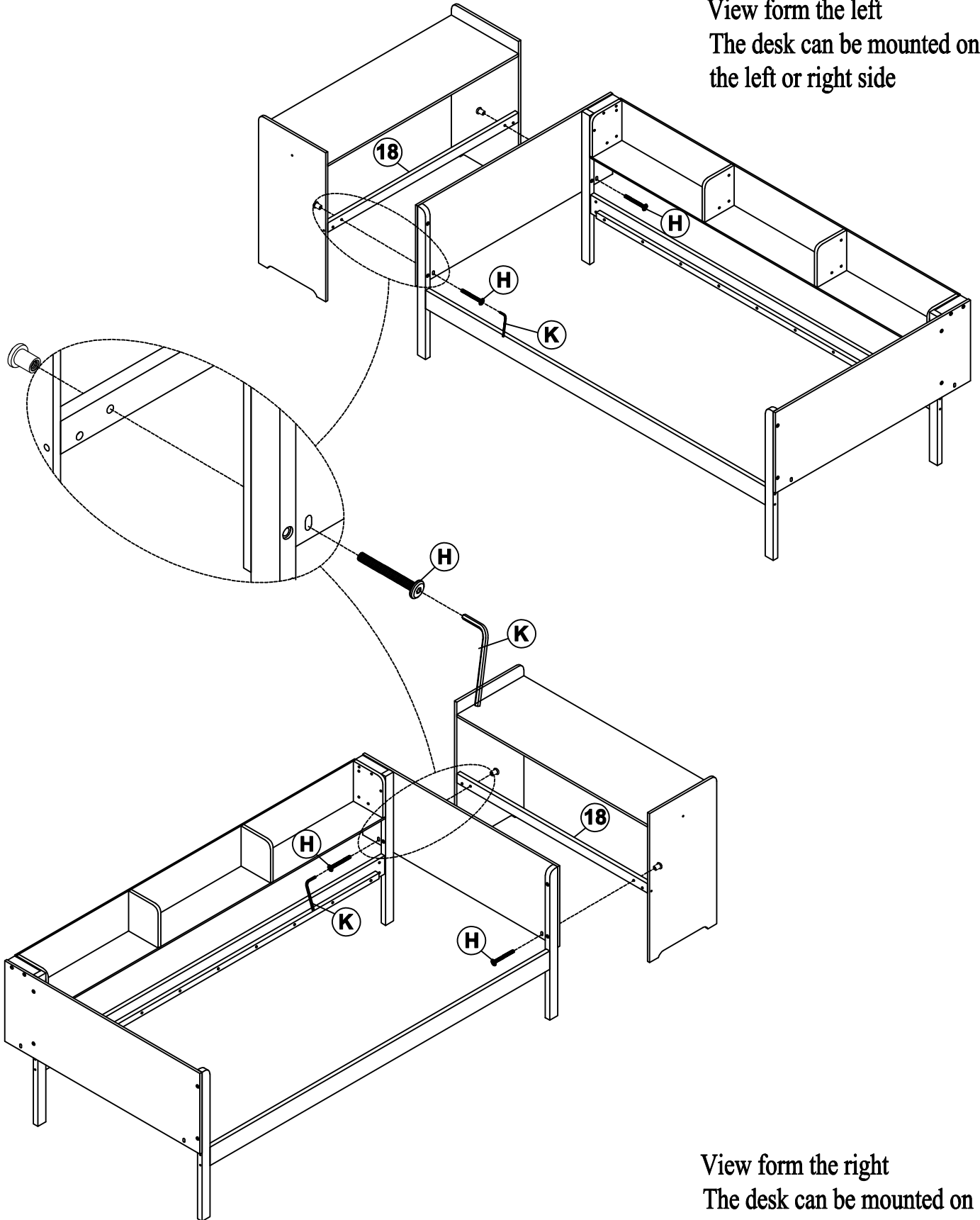
Turn the table over
View form the back

N	15x15x2		4PCS	C	Ø3.5x12		8PCS
----------	---------	---	------	----------	---------	---	------


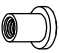

ASSEMBLY INSTRUCTIONS

Step 9

View from the left
The desk can be mounted on
the left or right side



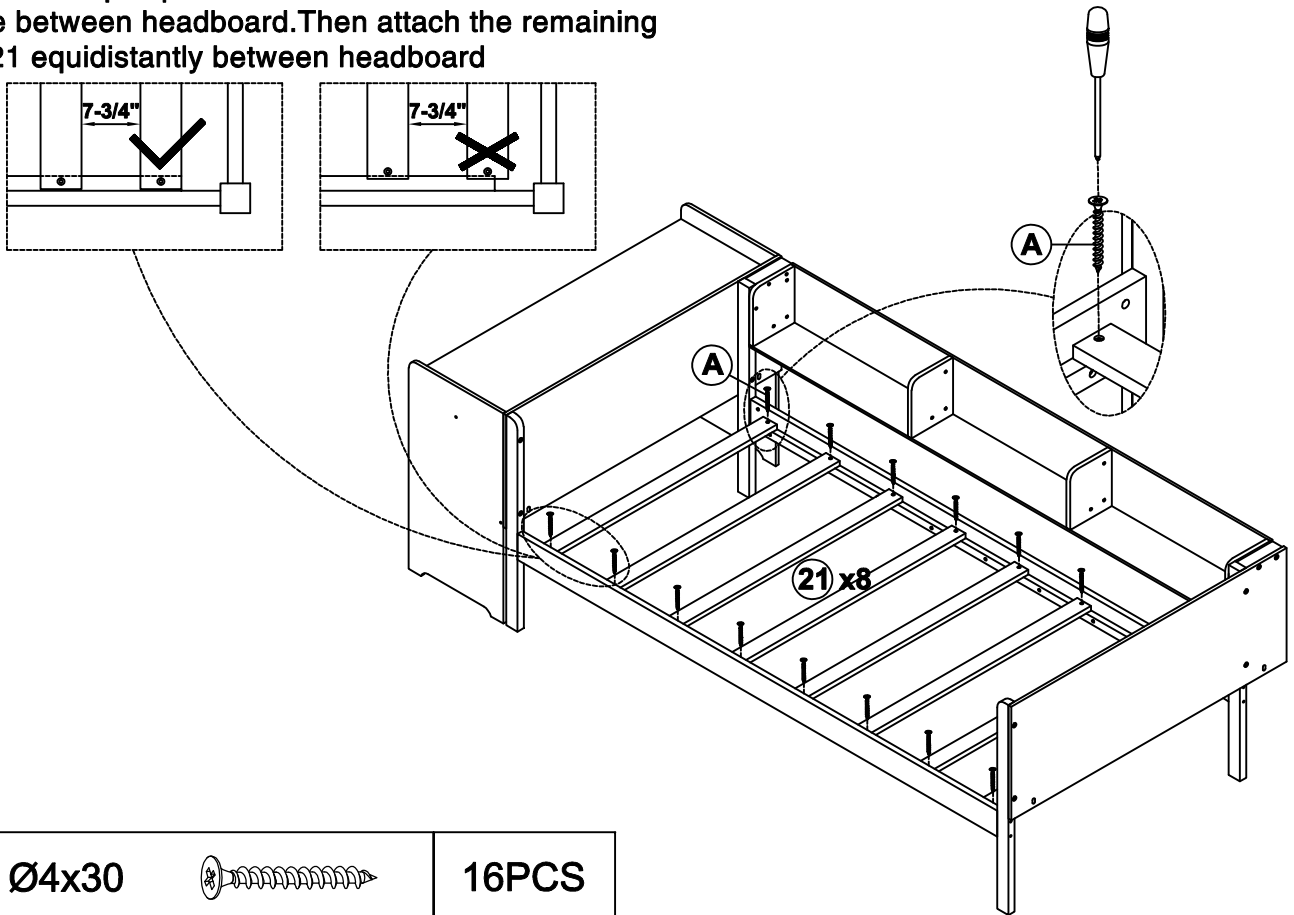
View from the right
The desk can be mounted on
the left or right side

H	1/4x25			2PCS	K	4x58		1PC
----------	--------	---	---	------	----------	------	---	-----

ASSEMBLY INSTRUCTIONS

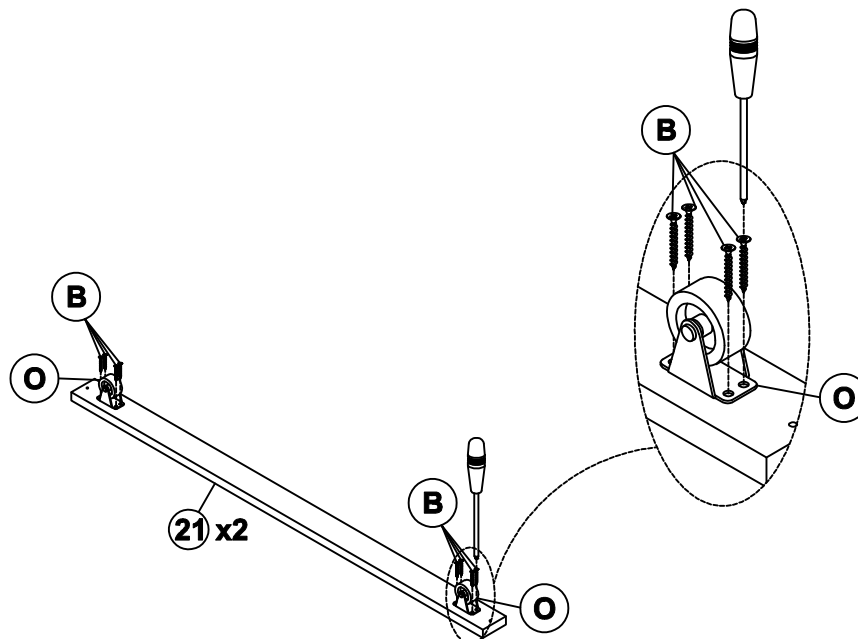
Step 10



First attach 2pcs part 21 to the front and end of the frame between headboard. Then attach the remaining part 21 equidistantly between headboard



A	Ø4x30		16PCS
----------	-------	---	-------

Step 11

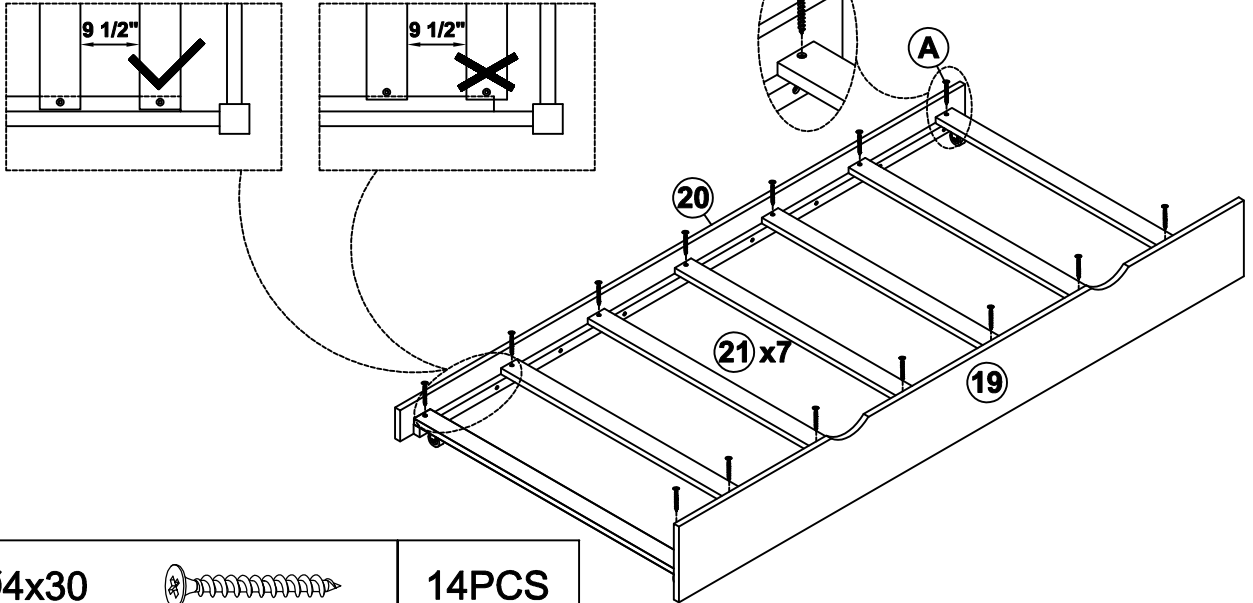


O	Ø38x46x38		4PCS	B	Ø4x15		16PCS
----------	-----------	---	------	----------	-------	---	-------

ASSEMBLY INSTRUCTIONS

Step 12

First attach 2pcs part 21 to the front and end of the frame between headboard. Then attach the remaining part 21 equidistantly between headboard

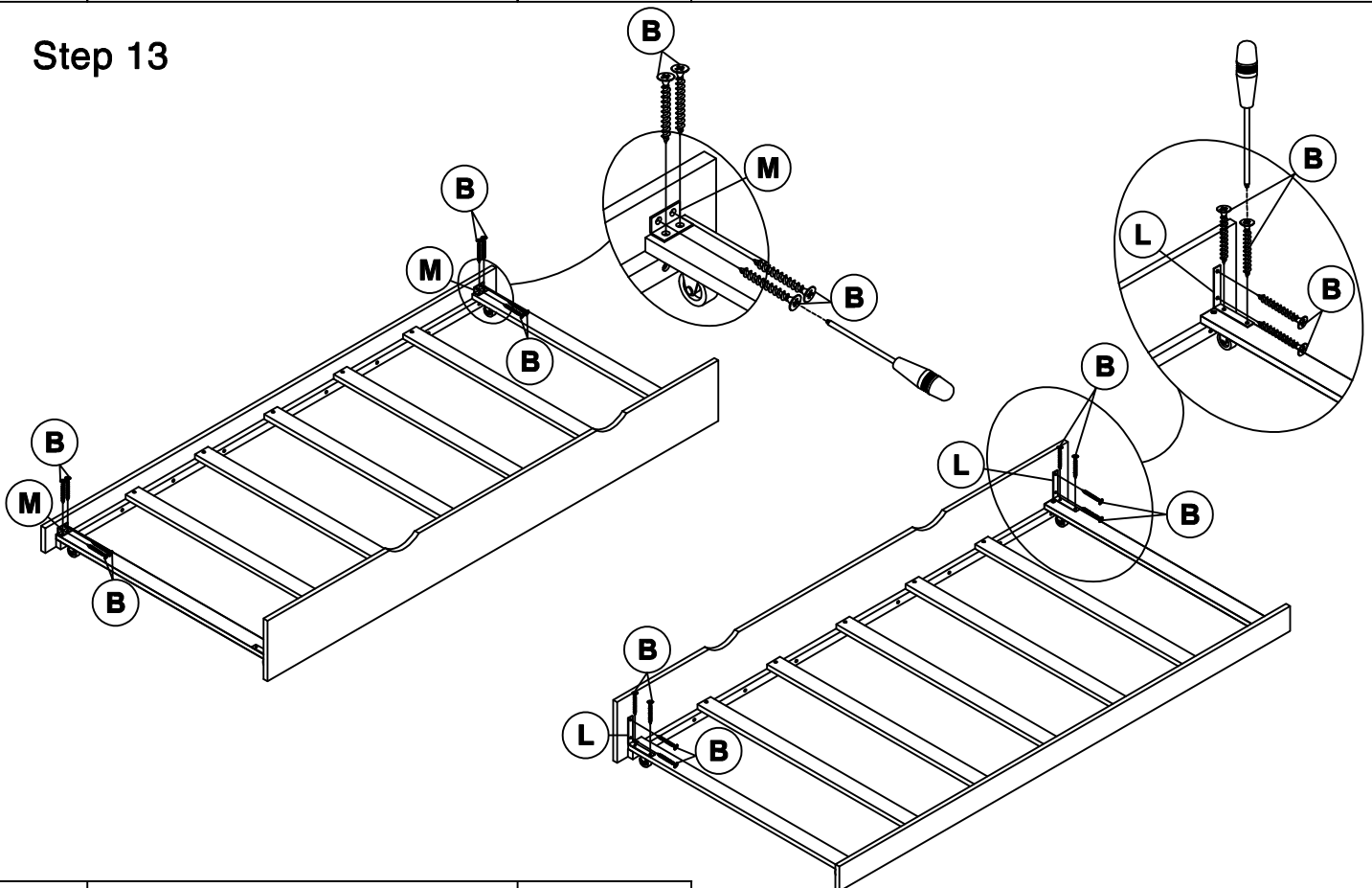


A Ø4x30

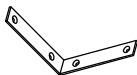


14PCS

Step 13



L 95x95x20



2PCS

M 40x20x20



2PCS

B Ø4x15



16PCS

ASSEMBLY INSTRUCTIONS

Step 14

