

WF317031

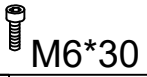
1 X1PC



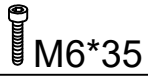
2 X1PC



A X2PCS



B X2PCS



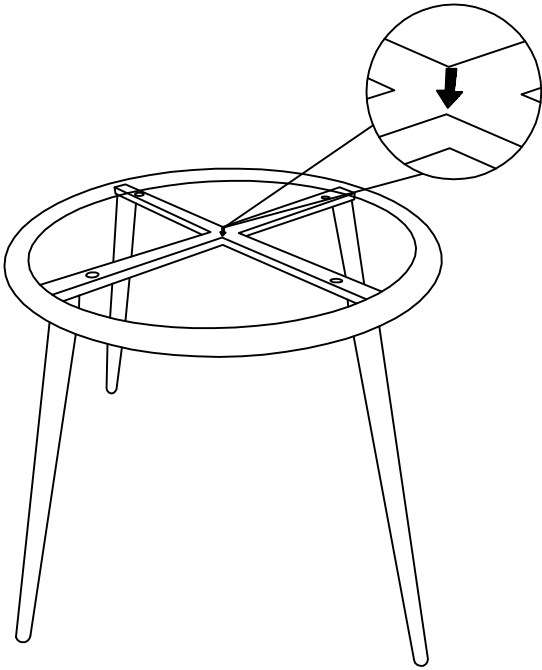
C X4PCS



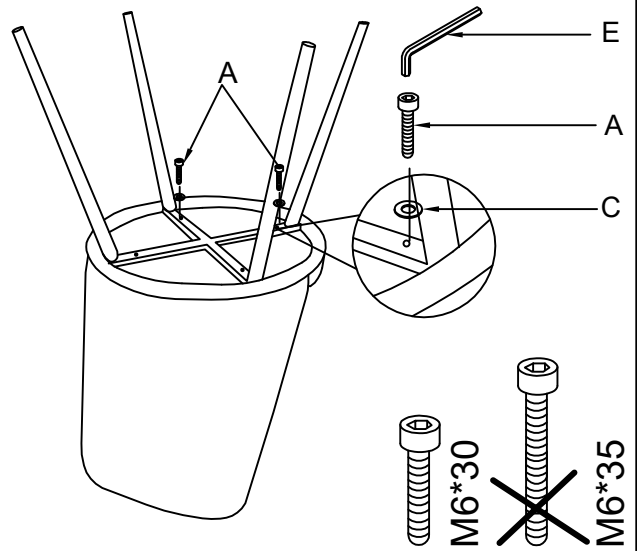
D X1PC



1



2



2

