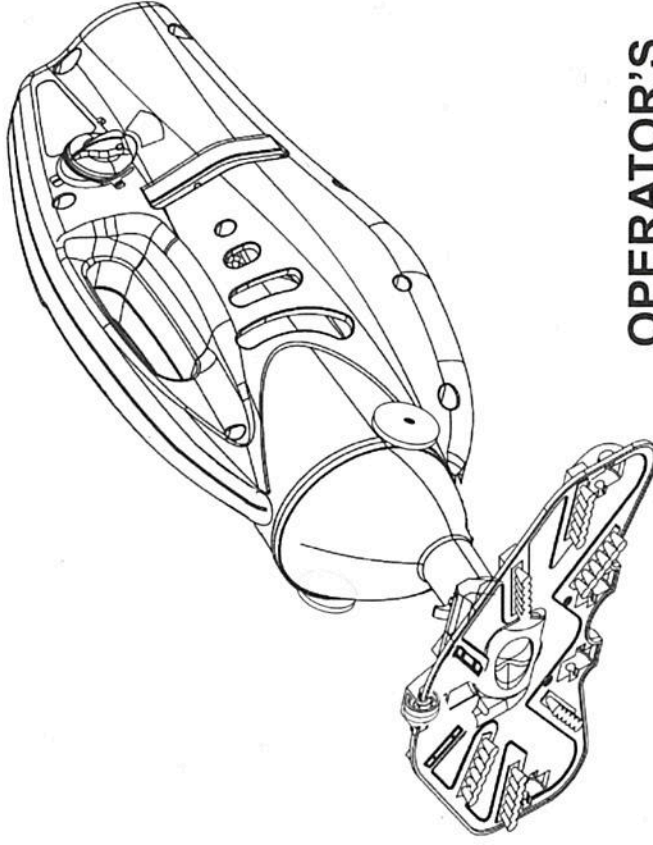


# WATER TECH™

POOL BLASTER® MAX™  
POOL BLASTER® MAX™ CG



## OPERATOR'S MANUAL

### IMPORTANT: DO NOT RETURN THIS PRODUCT TO THE STORE

Should you have any problems or questions concerning your product you should contact Water Tech's Customer Service Division toll free in the U.S. at

**1-800-298-8800** or via fax at **1-800-488-0700**

or via the web at **www.WaterTechCorp.com**

### IMPORTANT: DO NOT RETURN THIS PRODUCT TO THE STORE

Should you have any problems or questions concerning your product you should contact Water Tech's Customer Service Division toll free in the U.S. at 1-800-298-8800 or via fax at 1-732-967-0070 or visit [www.watertechcorp.com](http://www.watertechcorp.com)

### INTERNATIONAL CONTACT NUMBERS

Should you have any problems or questions concerning your product you should contact Water Tech's Customer Service Division OUTSIDE the U.S. at 1-732-967-9888 or via fax at 1-732-967-0070

## WATER TECH

*"The pool invention people"*

10 Alvin Ct.  
East Brunswick, NJ 08816 USA

Email: [Support@WaterTechCorp.com](mailto:Support@WaterTechCorp.com)  
[www.WaterTechCorp.com](http://www.WaterTechCorp.com)

PBMAX-0M2014



- ▲ **WARNING:** Do not use if unit or charger is damaged in any way.
- ▲ Use this product only for its intended use as described in this manual. Use only Water Tech accessories and filters.
- ▲ Never leave your Pool Blaster plugged in for long term storage (maximum 24 hrs.).
- ▲ NEVER LEAVE YOUR Pool Blaster IN WATER WHEN IT IS "OFF" OR HAS RUN OUT OF POWER.
- ▲ Do not use your Pool Blaster for pool openings; the Pool Blaster is designed for general maintenance of your pool or spa.
- ▲ The Pool Blaster is designed for underwater use only. Do not attempt to use your Pool Blaster to clean anything other than your pool or spa. It is not intended for use as an all-purpose vacuum cleaner.
- ▲ Close supervision is necessary when used near children. Do not allow this vacuum cleaner to be used as a toy.
- ▲ This vacuum creates suction. Keep hair, loose clothing, fingers, and all parts of body away from openings and moving parts.
- ▲ Unit must be submerged in 10 inches of water to operate properly.
- ▲ When not in use, store the Pool Blaster indoors, in a clean, dry place. Do not leave underwater, in direct sunlight, or exposed to extreme temperatures.
- ▲ You can operate the Pool Blaster without its vacuum head attachment, but when using the attachment, make sure that either the supplied wheels or brushes are inserted in place.
- ▲ Do not use without filter bag/seal ring and nose cap in place. Always replace a damaged filter bag/seal ring immediately.
- ▲ Avoid picking up hard, sharp objects with the vacuum. They may damage the vacuum and the filter bag.
- ▲ Do not use to pick up toxic substances, flammable or combustible liquids such as gasoline, or operate in the presence of explosive or flammable fumes.
- ▲ Never insert or drop any object into any opening on the device. Keep all openings free of leaves, rocks, or anything that may reduce water flow.
- ▲ Do not use on or near hot surfaces
- ▲ Make sure the Pool Blaster is unplugged from the charger and in the "off" position before cleaning, filter change or any other routine maintenance.
- ▲ While Pool Blaster is charging, do not handle with wet hands or without shoes.
- ▲ Only use the charger supplied to recharge this vacuum. Do not use the supplied charger with any other appliance.

**WARNING:**

Any repairs requiring disassembly must be performed by a Water Tech Authorized Service Center. For the repair center nearest you call us toll free at 1-800-298-8800.

**LIMITED WARRANTY**

Water Tech Corp ("WT") warrants this product, including supplied accessories against defects in material or workmanship for the time periods as set forth below. Pursuant to this Limited Warranty WT will, at its option (i) repair the product to the original specifications or (ii) replace the product with a new or refurbished product. In the event of a defect, these are your exclusive remedies. For purposes of this Limited Warranty, "refurbished," means a product or part that has been returned to its original specifications.

All Pool Blaster Battery Powered Pool & Spa Vacuums. For a period of one (1) year from the original date of purchase of the product, WT will, at its option, repair or replace with new or refurbished product or parts, any product or parts determined to be defective.

Accessories. Included accessories are covered by this Limited Warranty for a period of (90) days from the original date of purchase of the product.

Instructions. Please retain the original box and internal packaging materials. To obtain warranty service, you must comply with the following requisite instructions:

(1) Visit Water Tech Corp's Customer Support Department via email at [www.wtrma.com](mailto:www.wtrma.com). You will be guided through the correct process on how to obtain the required

RMA# (Return Merchandise Authorization Number.) All customers must obtain an RMA number before any product will be accepted for warranty service. If you need additional assistance please contact us by telephone: (800-298-8800), email: [customer.service@watertechcorp.com](mailto:customer.service@watertechcorp.com).

(2) Package the unit with all accessories properly and securely in the original box.

(3) Attach your RMA number you received from the website to the outside of the package. You must write your RMA number in thick black indelible marker on two sides of the box.

(4) Send the package by USPS or express courier of choice to Water Tech Corp. 10 Alvin Court, East Brunswick New Jersey 08816. (WT suggests you insure the contents of your package.) WT is not responsible for lost, stolen or damaged property in transit to WT.

Repair/Replacement Warranty. This Limited Warranty shall apply to any repair, replacement part or replacement product for the remainder of the original Limited Warranty period or for ninety (90) days, whichever is longer. Any parts or products replaced shall become the property of WT.

This Limited Warranty covers only product issues caused by defects in material or workmanship during ordinary consumer use; it does not cover product issues caused by any other reasons, including but not limited to product issues caused by commercial use, acts of God, misuse, abuse, limitations in technology, or modification of or to any part of the WT product. This Limited Warranty does not cover WT products sold AS IS or WITH ALL FAULTS or consumables (such as batteries). This Limited Warranty is invalid if the factory-applied serial number has been altered or removed from the product. This Limited Warranty is valid only in the United States and Canada.

**EXPRESS LIMITATION: THIS LIMITED WARRANTY ONLY APPLIES IF THE PRODUCT WAS PURCHASED FROM AN AUTHORIZED WATER TECH DEALER. THIS WARRANTY IS NOT TRANSFERABLE LIMITATION ON DAMAGES. WT WILL NOT BE LIABLE FOR ANY INCIDENTAL OR CONSEQUENTIAL DAMAGES FOR BREACH OF EXPRESS OR IMPLIED WARRANTY ON THIS PRODUCT.**

**DURATION OF IMPLIED WARRANTIES. EXCEPT TO THE EXTENT PROHIBITED BY LAW APPLICABLE LAW, ANY IMPLIED WARRANTY OF MERCHANTABILITY OR FITNESS FOR A PARTICULAR PURPOSE ON THIS PRODUCT IS LIMITED IN DURATION OF THIS WARRANTY.**

Some states do not allow the exclusion or limitation of incidental or consequential damages, or allow limitations or how long an implied warranty lasts, so the above limitations or exclusions may not apply to you. This Limited Warranty gives you specific legal rights and you may have other rights, which vary from state to state.

**FCC Compliance**

This device complies with Part 15 of the FCC Rules. Operation is subject to the following two conditions: (1) This device may not cause harmful interference, and (2) this device must accept any interference received, including interference that may cause undesired operation.

**NOTE:** This equipment has been tested and found to comply with the limits for a Class B digital device, pursuant to Part 15 of the FCC Rules. These limits are designed to provide reasonable protection against harmful interference in a residential installation. This equipment generates, uses and can radiate radio frequency energy and, if not used in accordance with the instructions, may cause harmful interference to radio communications. However, there is no guarantee that interference will not occur in a particular installation. If this equipment does cause harmful interference to your radio or television reception, which can be determined by turning the equipment off and on, the user is encouraged to try and correct the interference by one or more of the following measures:

- Reorient or relocate the receiving antenna.
- Increase the separation between the equipment and receiver.
- Connect the equipment into an outlet on a circuit different than that to which the receiver is connected.
- Consult the dealer or an experienced radio/TV technician for help.

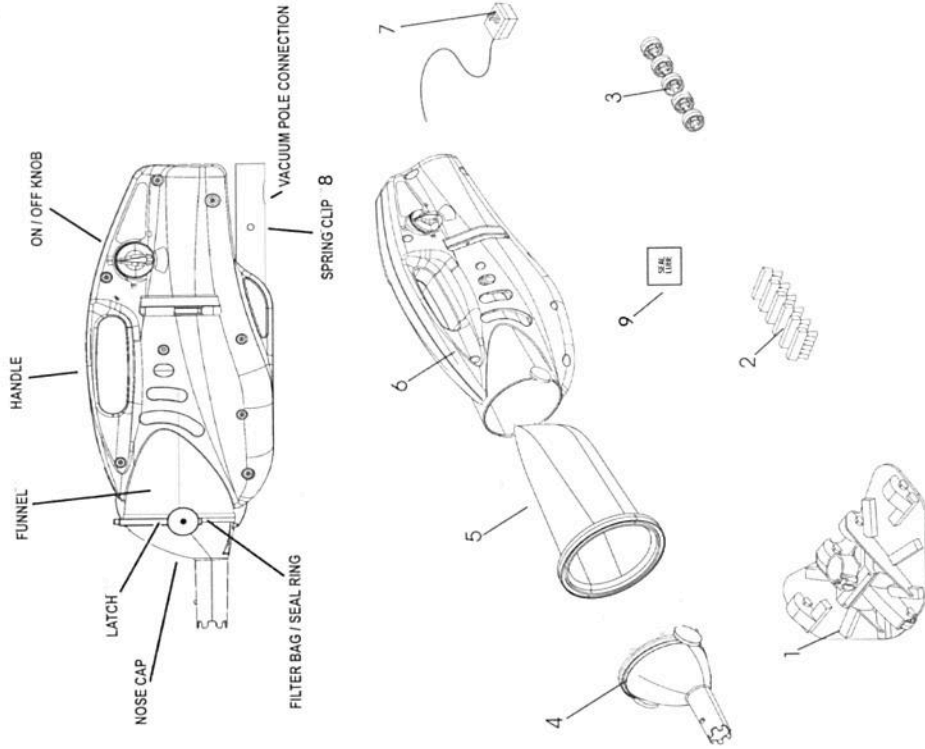
**NOTE:** Changes or modifications not expressly approved by the party responsible for compliance could void the user's authority to operate the equipment.



## SETTING UP YOUR POOL BLASTER FOR USE

## PARTS AND ACCESSORIES BREAKDOWN

**CONGRATULATIONS** on your purchase of a top-quality Water Tech product, which has been thoroughly tested to meet our exacting quality control standards.



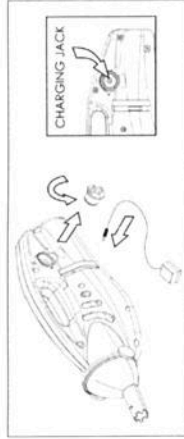
ITEM No.	DESCRIPTION	PART No.	QTY.	ADDITIONAL PARTS AVAILABLE FOR PURCHASE
1	Vacuum Head	PBA006	1	Sand & Silt bag (part No. PBW022SS)
2	Vacuum Head Brushes	PBW049	6	Microfilter Bag (part No. PBW022MF)
3	Vacuum Head Wheels	PBW050	5	Shallow Water Hose Attachment (part No. PBASHA)
4	Nose Cap	PBA002	1	* European 230V Charger (part No. PBW099-US-EU)
5	X-TREME MultiLayer Filter w/ Seal Ring	PBA022XF	1	To purchase, contact your retailer or call us at (800)298-8800 or see us on the web at www.WatertechCorp.com
6	Pool Blaster	PBA005	1	
7	Battery Charger	PBA099*	1	
8	Spring Clip	PBW041	1	
9	Seal Lubr (for On/Off knob)	PBLUBE	1	

## INITIAL SET UP

### Charging The Battery Pack For The First Time

The Battery Pack Must Be Charged for 4 Hours Prior to Initial Use.

Only charge the Pool Blaster with the charger provided with the unit. The charger provided is specially designed for the Pool Blaster.



### Charging Your Pool Blaster:

The battery pack for your cleaner has been shipped in a low voltage condition.

When The battery pack is Totally Depleted It Should Be Recharged for 4 Hours

**NEVER USE ANY CHARGER OTHER THAN THE ONE SUPPLIED WITH YOUR POOL BLASTER TO REDUCE THE POSSIBILITY OF FIRE, ELECTRICAL SHOCK OR INJURY!**

### To Charge Your Pool Blaster:

1. Turn the knob counterclockwise to remove the On-Off knob. This will expose the charging jack connection.

**NOTE:** When removing the On/Off knob it is normal to hear air escaping. The air inside has simply expanded from being heated by the motor.

2. Connect the lead plug from the charger to the charging jack on the Pool Blaster.

3. Connect the charger to the appropriate electrical outlet. The Pool Blaster should be charged for 4 hours.

4. After charging, The ON-OFF knob should remain disconnected from the unit and left hanging from the attached lanyard until the unit is ready to be used.

5. Ensure that the On-Off knob is fully secure and turned to the "On" position before attempting to use your Pool Blaster.

**Do Not leave the unit plugged into the charger for more than 24 hours.**

### To Recharge Your Pool Blaster:

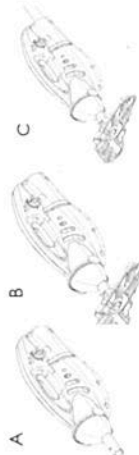
Simply repeat steps 1-5 and recharge the battery for 4 hours.

**CAUTION:** Replace the ON-OFF knob tightly before placing the Pool Blaster in water. Placing the Pool Blaster in water without tightening the ON-OFF knob so that the unit is "ON" will void your warranty.

**WARNING:** Never use your Pool Blaster without the filter bag/seal ring and nose cap properly in place. Doing so will VOID the warranty.

## SETTING UP YOUR POOL BLASTER FOR USE

Your Pool Blaster is designed for use in 3 different ways to vacuum your pool or spa:



A. Vacuum using the handle and the vacuum head removed.

B. Vacuum using the handle and attached vacuum head, with either wheel or brush attachments depending on pool type.

C. Vacuum using a standard pool accessory pole (not supplied) with the attached vacuum head.

Maximum operating temperature is between +5°C (41°F) and +40°C (104°F). Maximum operating depth is 3.5 meters (12 ft).

### Wheels and Brushes Installed in the Vacuum Head



The vacuum head of your Pool Blaster has been pre-installed with wheels and brushes at the factory for immediate use.

**CAUTION:** Wheels OR Brushes with Front Wheel must be installed prior to use. Water Tech is NOT responsible for damages to your pool if neither the wheels nor brushes with Front Wheel are installed in the vacuum head before use.

### Using A Standard Pool Pole

The pole attachment on your Pool Blaster is designed to accommodate any standard pole. To attach a pole, simply press down on the alignment pins on the pole retaining spring clip. Aligning the holes, slide the pole onto the Pool Blaster and release the clip.

**WARNING:** Do not lean on pole or use pole to support weight.

**NOTE:** There are two ways to remove the unit from the pool:



**WHEN USING HANDLE:** Lift from pool with the nose back and sides.

**WHEN USING A POOL POLE:** Remove the unit from the pool with the bottom facing upwards and the handle facing down. This will allow the water to escape and keep the dirt inside.



## LONG TERM STORAGE / INSERTING THE FILTER BAG

### Preparing Your Pool Blaster For Cleaning

Inserting the filter bag and nosecap Place the Pool Blaster on its end on a stable and secure surface.

Place the filter bag/seal ring (part no. PBW022XF) into the Pool Blaster, as shown in diagram. Make sure the rubber seal ring sits on the funnel. All of the filter bag must be inside the funnel to ensure the head closes fully.

Close the latch squeezing the filter bag/seal ring in between.

Never use the Pool Blaster without the filter bag properly installed. This will damage the impeller and void the warranty.

**NOTE:** You should not need to apply excessive force in order to close the latch. If you have trouble, make sure the filter bag is not between the seal and the nose cap or funnel and there are no other obstructions such as sand.

### Choosing The Proper Filter Bag Standard All-Purpose Filter Bag

The Pool Blaster, with its Standard Filter Bag is intended for routine pool maintenance only. Should there be an excessive amount of debris (i.e. when opening the pool for the season, cleaning following major storm activity or other high level debris occurrences) be aware that you will have to empty the Filter Bag much more often than normal. It may take several cleaning and recharging cycles to clean your pool.

#### Microfilter Bag

The Microfilter Bag should only be used to remove fine sand, silt, algae and other small particles from your pool. Be aware that due to the high degree of filtration that this bag affords, it fills much more rapidly than the All-Purpose bag and therefore must be emptied frequently during pool cleaning to insure optimum performance.

#### Cleaning The Filter Bags

For maximum cleaning efficiency the filter bag/seal ring should be checked, emptied, and cleaned after each use or whenever you notice the performance of your Pool Blaster declining.

Once your Pool Blaster is set-up for use, you may put it in your pool or spa.

• Bring your Pool Blaster to the side of the Pool or Spa and turn it on by turning the On-Off knob all the way to the "On" position. This must be done outside of the water before it is submerged.

• Once the Pool Blaster is "On" it can be completely



## MAINTAINING YOUR POOL BLASTER

submerged in water and is ready for use.

• This appliance is designed to be in water only when in the "On" position and has battery power. Excessive leaking can occur when not running and void the warranty. Never leave your Pool Blaster in the water when it is off.

### Long Term Storage

There are several things you should do before and during long term storage of your Pool Blaster. By "Long Term" we mean any time that you will not be using your cleaner for more than one month.

1. Clean the machine. Make sure that the filter bag(s) are cleaned and free of debris as well as the Vac Head and Nose Cap.

2. Be sure to keep your cat fish in a clean, dry area, preferably indoors, not in a garage or pool house.

3. After 3 months of non-use make certain that you re-charge your Pool Blaster for 4 hours. This practice will keep the battery fresh and fully charged - ready for use when you resume cleaning your pool.

NEVER plug in the charger and leave it plugged in during storage. This will permanently damage the cleaner and could be a fire hazard!

### Storing the Pool Blaster

**NOTE:** State of the art Nickel-Metal Hydride batteries power the Pool Blaster. These are the same batteries used in many portable phones. In order to properly ventilate and cool the batteries and drive system a certain amount of space is left open in the Pool Blaster body. As a result, from time to time, water may enter the unit. In order to allow for any water to be drained you should remove the Battery Cap after each use, turn the machine so the knob is towards the floor and tilt side to side in all directions. The amount of water may be very small or not noticed at all. Water entering the Pool Blaster body presents no safety hazard and should be drained to avoid any chance of long-term corrosion. The batteries and motor in the Pool Blaster are long lasting and proper care will help to prolong the life of your appliance.

**NOTE:** Remove Pool Blaster from charger before storage. When not in use, your Pool Blaster should be stored indoors, in a clean dry location sheltered from direct sunlight, extreme temperatures and rain. Do not store the Pool Blaster in a garage or anywhere the unit could freeze. Storing the Pool Blaster in areas of high humidity can affect battery performance over time.

### Cleaning the Valve Flap

Inside the Nose Cap you will find a rubber Valve Flap. To keep the Valve Flap functioning properly (keeping dirt and debris inside the cleaner) it is important to clean it after each use.

### Lubricating the Battery Cap Seal

You must lubricate the O-ring seal inside of the Battery Cap occasionally using a silicon lubricant. This helps eliminate any water leakage when the unit is being used. This lubricant can be ordered directly from Water Tech (Part No. PBLUBE) or at your local pool & spa retailer.

## FREQUENTLY ASKED QUESTIONS

- Q:** Can my Pool Blaster be run out of water?  
**A:** Yes, for a short period of time when you turn it on before submerging in your pool or spa or when removing it from the pool or spa.
- Q:** When I am cleaning my pool how do I know when the Pool Blaster is out of battery power?  
**A:** Most people can feel the Pool Blaster is running through vibration in the vacuum pole or handle. To be sure you can lift it out of the water to hear if it is running or not.
- Q:** How often should I clean out my Pool Blaster filter bag?  
**A:** You can clean your filter bag as often as you like with no ill effects. The filter bag can then be turned inside out and rinsed with a hose or in a sink. Do not wash it in a washing machine or with detergent. For more detailed instructions, see "Maintaining Your Pool Blaster" instructions in this manual.
- For best results, do this after each use, or whenever you notice the performance of your Pool Blaster declining.**
- Q:** Is it normal for me to hear air escaping out of the Pool Blaster when I open the On-Off knob?  
**A:** Yes, the powerful motor heats the air in the motor box, which then expands, creating the air sound.
- Q:** How can I stop dirt from coming out of the nozzle when I take the cleaner out of the water?  
**A:** There are two ways to remove the unit from the pool when done cleaning:  
**WHEN USING HANDLE:** Lift from pool with the nose facing up to allow the water to escape from the back and sides.  
**WHEN USING A VACUUM POLE:** Remove the unit from the pool with the bottom facing upwards and the handle facing down. This will allow the water to escape and keep the dirt inside.
- Q:** How can I prevent sand and silt from escaping through the filter bag?  
**A:** The Pool Blaster comes standard with an all-purpose filter bag. A Sand and Silt Bag (Part No. PBW022SS) or a Microfilter bag are available. To purchase contact your retailer or see our website at [www.WaterTechCorp.com](http://www.WaterTechCorp.com).
- Q:** What if I put the Pool Blaster in the pool without the On-Off knob in place?  
**A:** Do not operate your Pool Blaster if water gets inside the machine. Put the Pool Blaster on its side to drain the water out of the knob hole and tilt side to side to get the water out. Do not use for at least 24 hours. To avoid serious injury or damage, do not replace the knob or attempt to charge or operate your Pool Blaster until it is completely dry.
- Q:** The ON-OFF knob has become difficult to turn. What can I do?  
**A:** Clean off the O-rings and add silicone lubricant/sealant. This will ensure easier turning and a better water tight seal. Refer to the maintenance section for more information.
- Q:** Can I leave my Pool Blaster on the charger all the time?  
**A:** After charging is complete, the Pool Blaster and charger must be removed from the outlet. This will prevent overcharging and prolong the life of your battery pack. **IMPORTANT:** Disconnect the charger before storing your Pool Blaster.
- Q:** Can I replace the batteries myself?  
**A:** Under no circumstances should you attempt to open the motor housing or battery housing. The batteries and motor are factory installed and sealed, and your rechargeable battery should give you many hours of use. If your motor, batteries, or charger stop working, take the Pool Blaster to an authorized service center.
- Q:** Where can I buy replacement parts?  
**A:** Look for original Water Tech replacement parts at your local retailer or on the web at [www.WaterTechCorp.com](http://www.WaterTechCorp.com).
- Q:** Will my pool chemicals hurt the Pool Blaster?  
**A:** The Pool Blaster is designed to withstand pool chemicals during its usage period. However, it should be rinsed off with fresh water after it is removed from the pool. This will increase the life of the filter bag/seal ring.
- Q:** Can I leave the Pool Blaster in the pool when not in use?  
**A:** No. The Pool Blaster must be removed from the pool and stored in a clean, dry place when not in use. This will increase the life of your Pool Blaster and its accessories.
- Q:** What do I do if my Pool Blaster does not vacuum?  
**A:** Make sure your Pool Blaster is completely submerged in the water and the air is out of the clear funnel. The cleaner is only designed to vacuum water and will not vacuum air. If that does not resolve your situation please check the following:  
• Make sure the filter bag is clear of debris that may be obstructing the flow.  
• Make sure the Pool Blaster is turned on.  
• Charge your Pool Blaster for at least 24 hours.

If none of the above help resolve the situation, please call our Customer Service Division at

**1-800-298-8800**

or see us on the web at

[www.WaterTechCorp.com](http://www.WaterTechCorp.com)