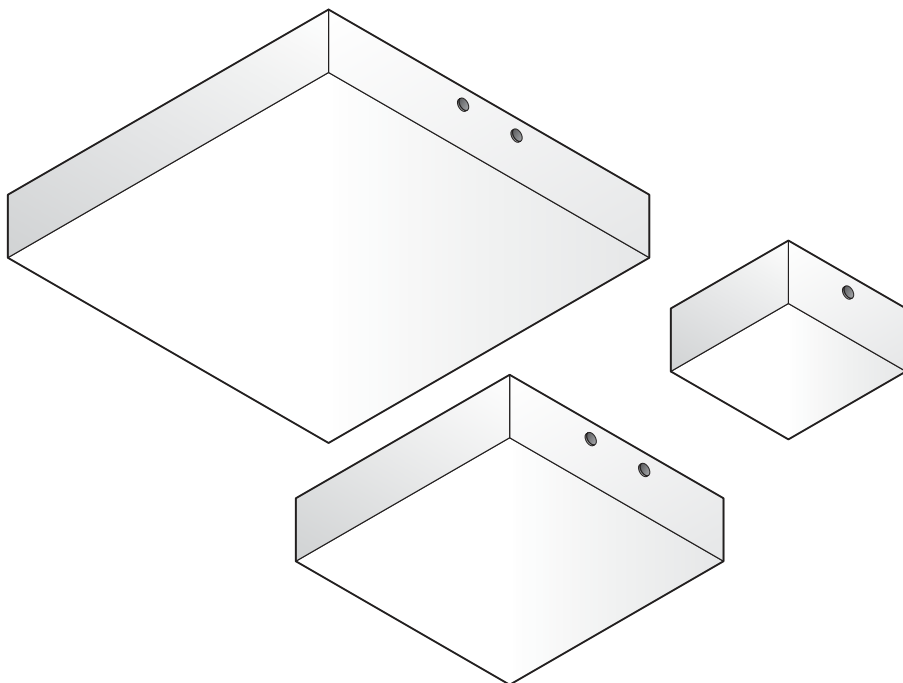



---

## LUNIVE™ QUADRO

---



	EAN	W	lm	K	$\theta_{amb}$ (°C)	V <sub>AC</sub>	mA	Hz	PF	
LUNIVE™ QUADRO 11x11 CM 8 W 830 4x1	4058075226715	8	330	3000	-20...+40	220-240	55	50/60	>0.5	0.5 kg
LUNIVE™ QUADRO 11x11 CM 8 W 840 4x1	4058075226753	8	330	4000	-20...+40	220-240	55	50/60	>0.5	0.5 kg
LUNIVE™ QUADRO 20x20 CM 19 W 830 4x1	4058075226791	19	1000	3000	-20...+40	220-240	160	50/60	>0.5	1.2 kg
LUNIVE™ QUADRO 20x20 CM 19 W 840 4x1	4058075226869	19	1000	4000	-20...+40	220-240	160	50/60	>0.5	1.2 kg
LUNIVE™ QUADRO 30x30 CM 24 W 830 2x1	4058075226937	24	1420	3000	-20...+40	220-240	200	50/60	>0.5	2.5 kg
LUNIVE™ QUADRO 30x30 CM 24 W 840 2x1	4058075226975	24	1420	4000	-20...+40	220-240	200	50/60	>0.5	2.5 kg

