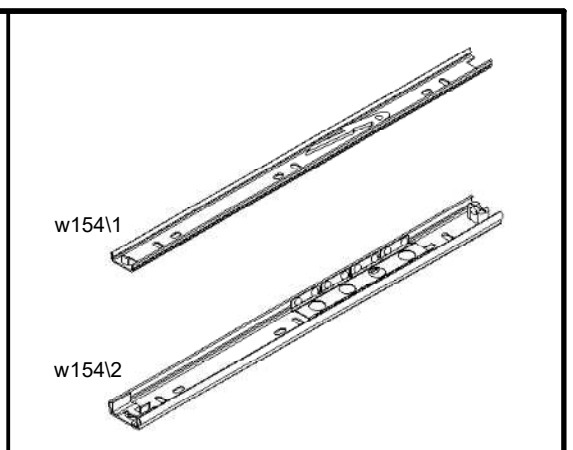
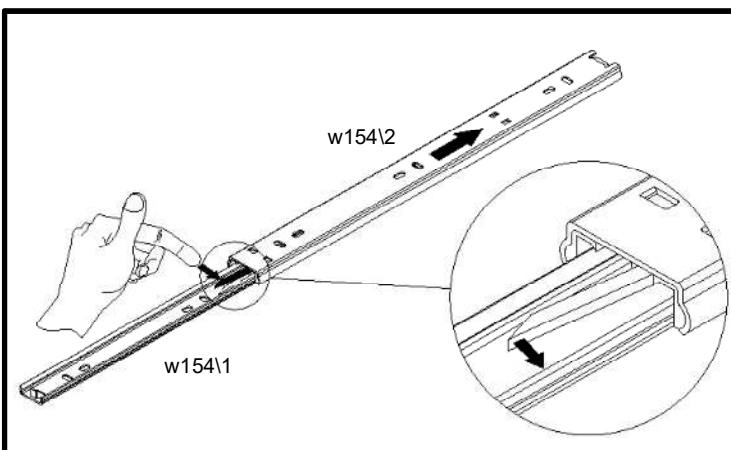
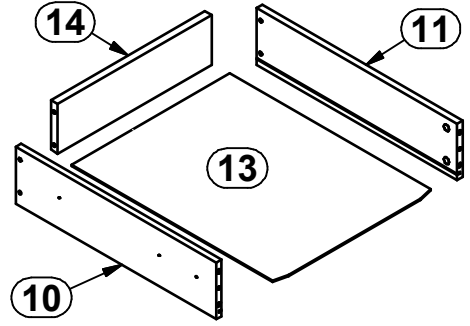
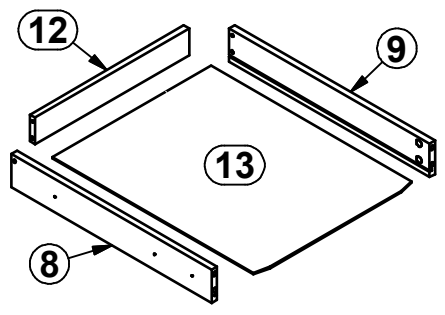
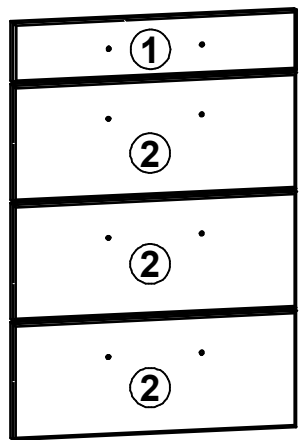
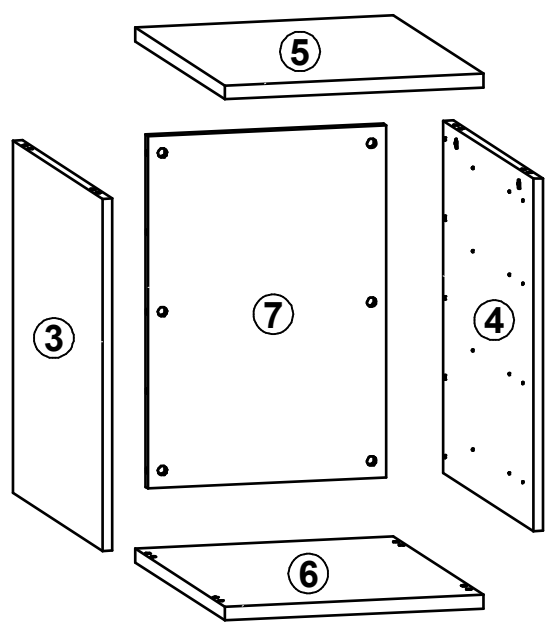
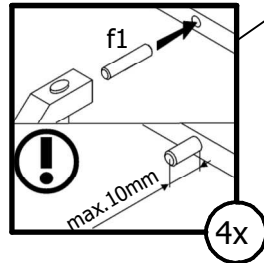
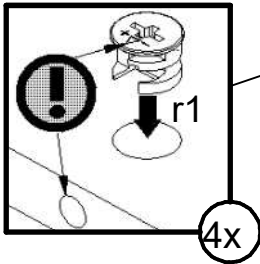
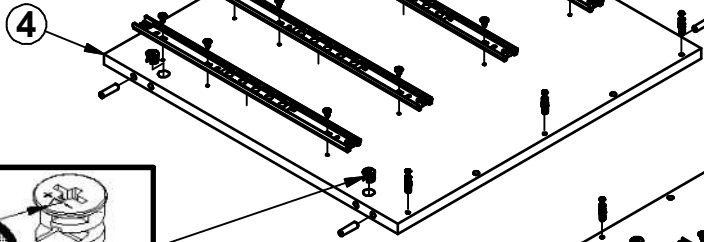
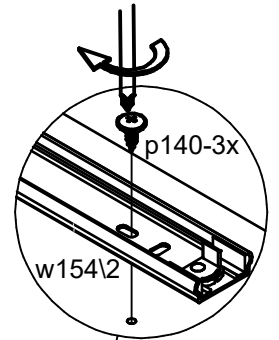
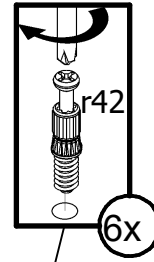
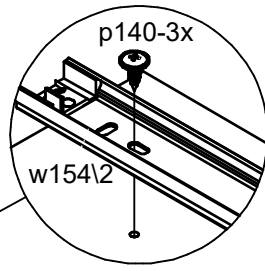
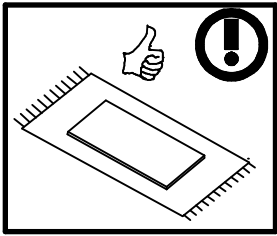
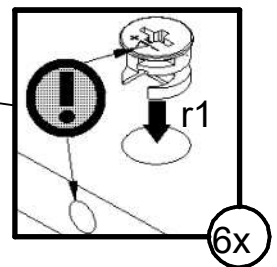
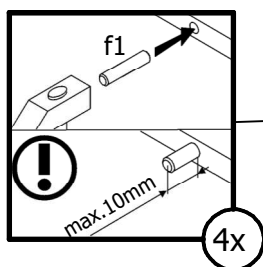
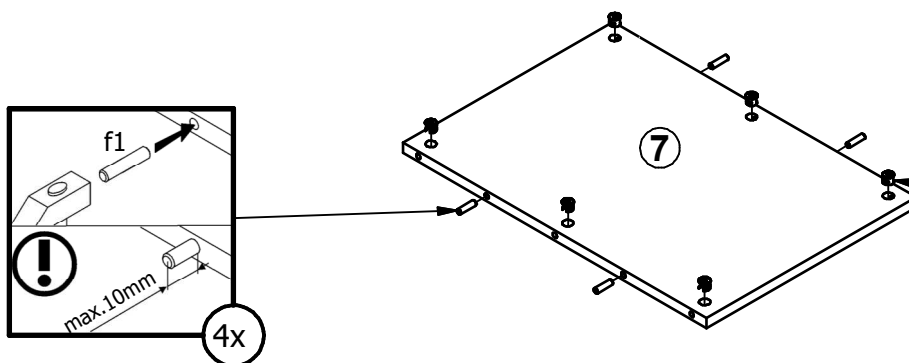
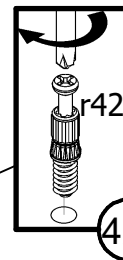
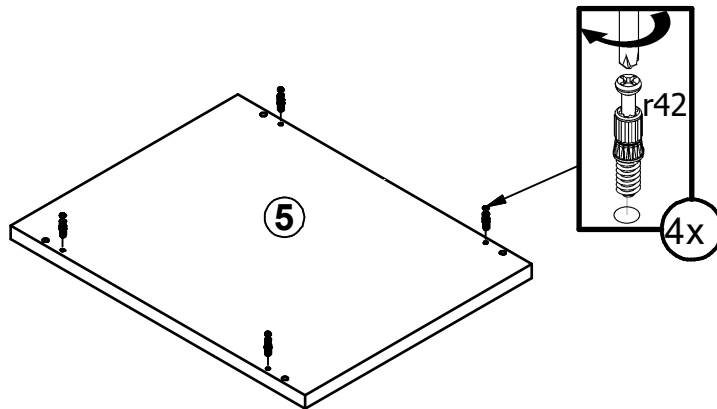


A	B	C1	C2	C3	D
1	S531-0003	388	80	16	1/1
2	S531-0004	388	156	16	1/1
3	S531-1004	568	550	16	1/1
4	S531-1005	568	550	16	1/1
5	S531-2001	425	550	22	1/1
6	S531-2002	425	550	22	1/1
7	S531-4003	568	392	16	1/1
8	S531-5303	450	65	12	1/1
9	S531-5304	450	65	12	1/1
10	S531-5305	450	110	12	1/1
11	S531-5306	450	110	12	1/1
12	S531-5702	346	52	12	1/1
13	WSP-9394	356	458	2,5	1/1
14	ZK3-5070	346	97	15	1/1



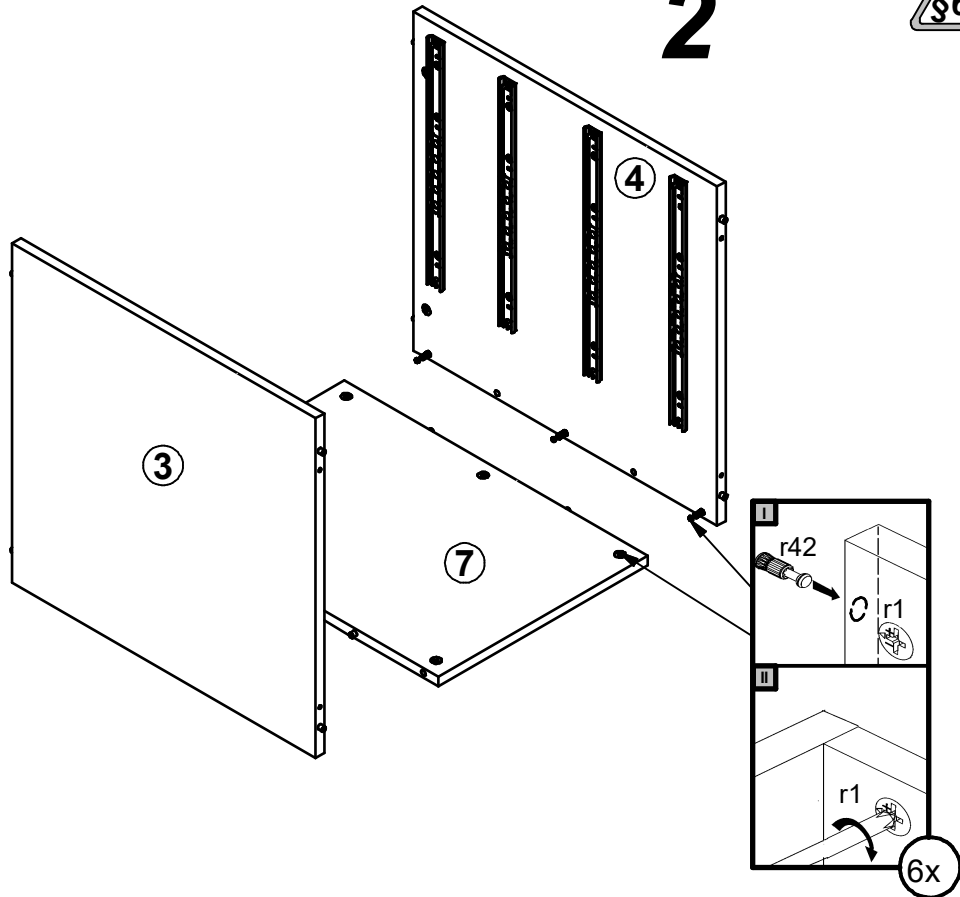


3

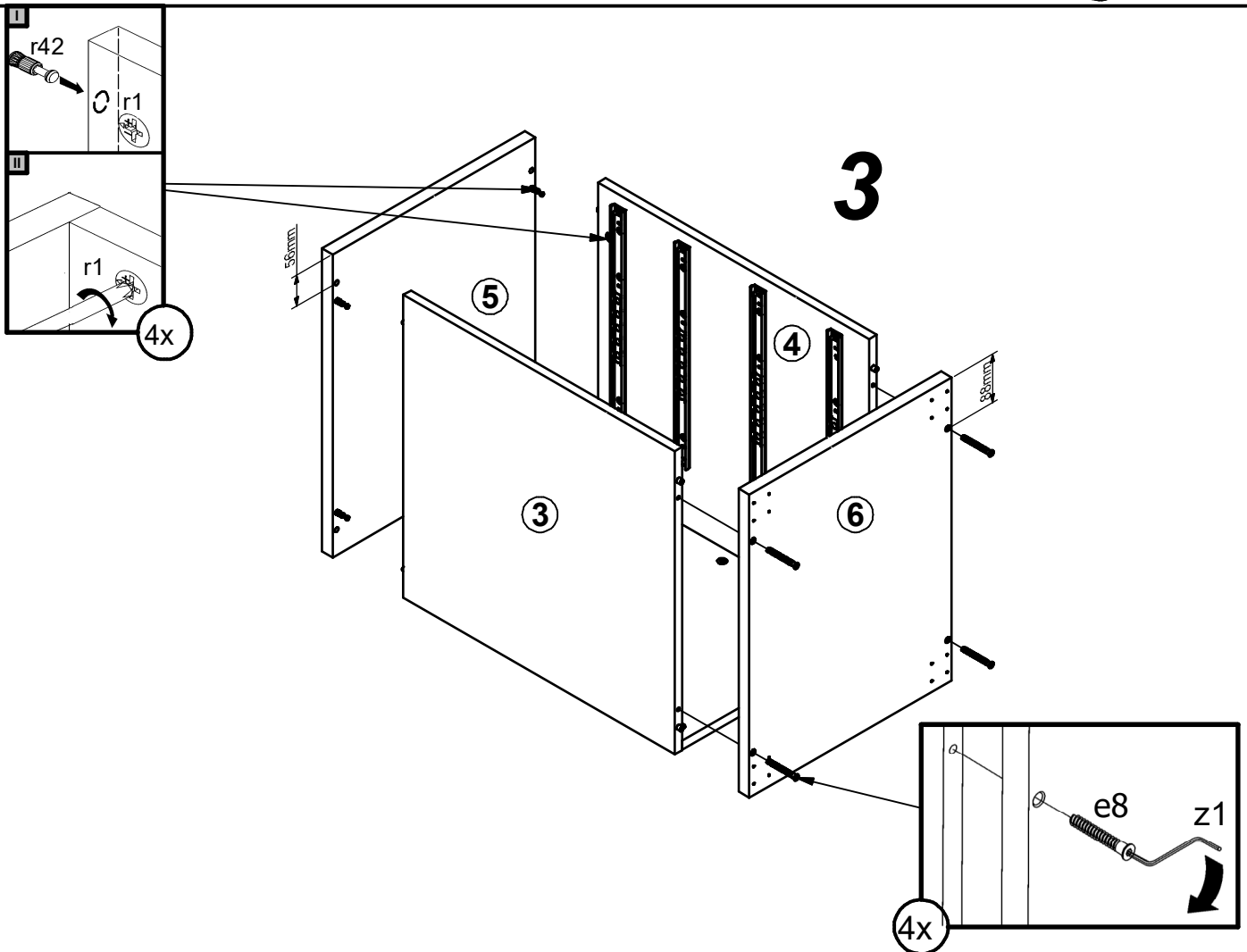




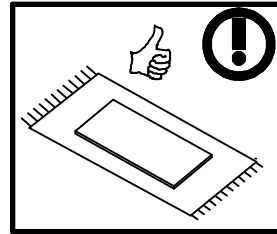
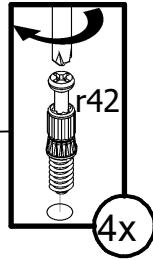
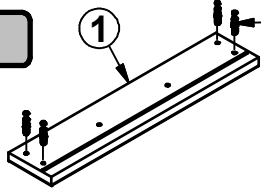
2



3



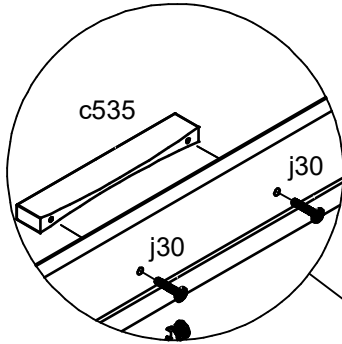
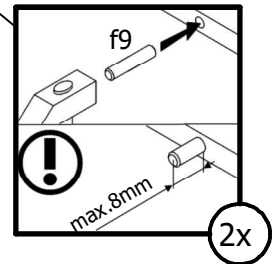
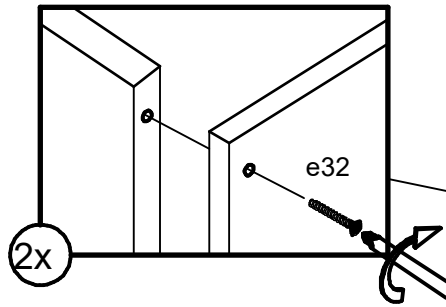
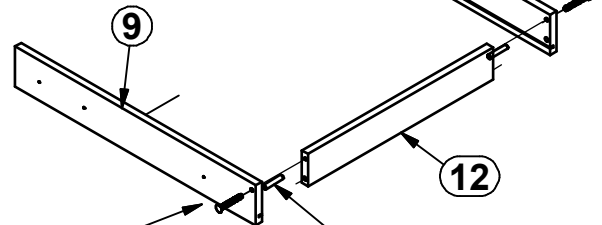
I



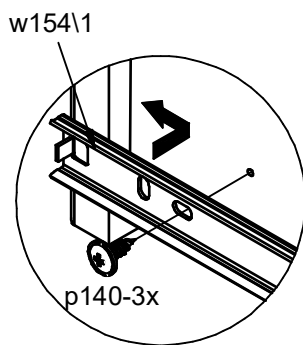
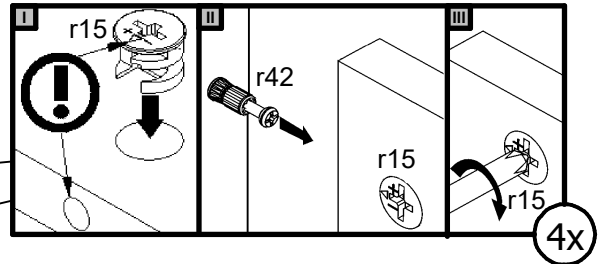
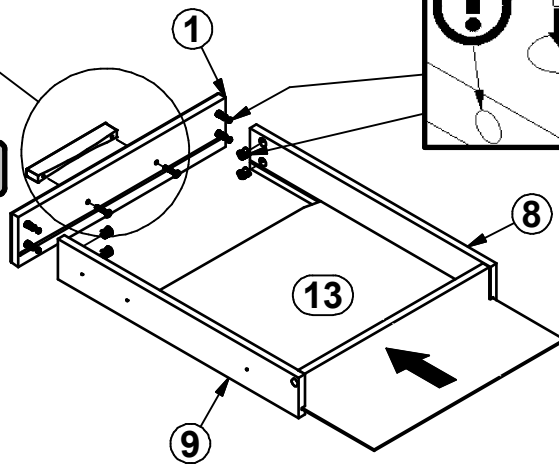
4



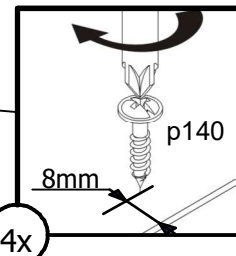
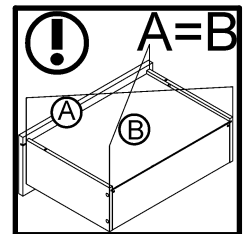
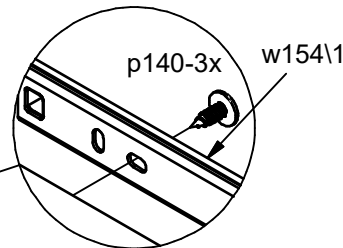
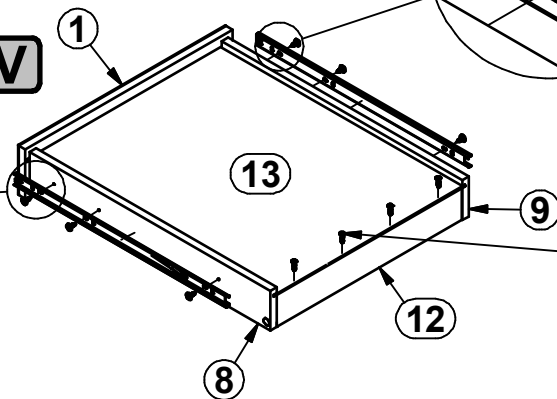
II

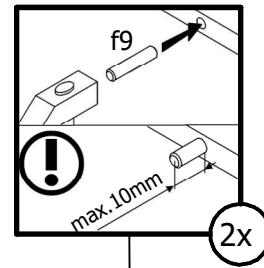
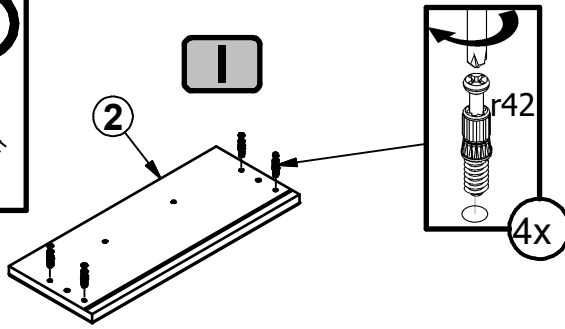
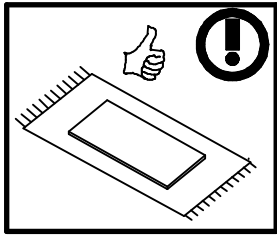


III

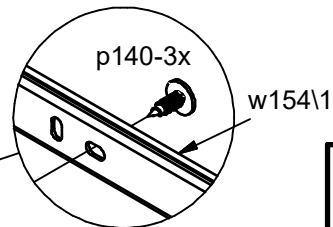
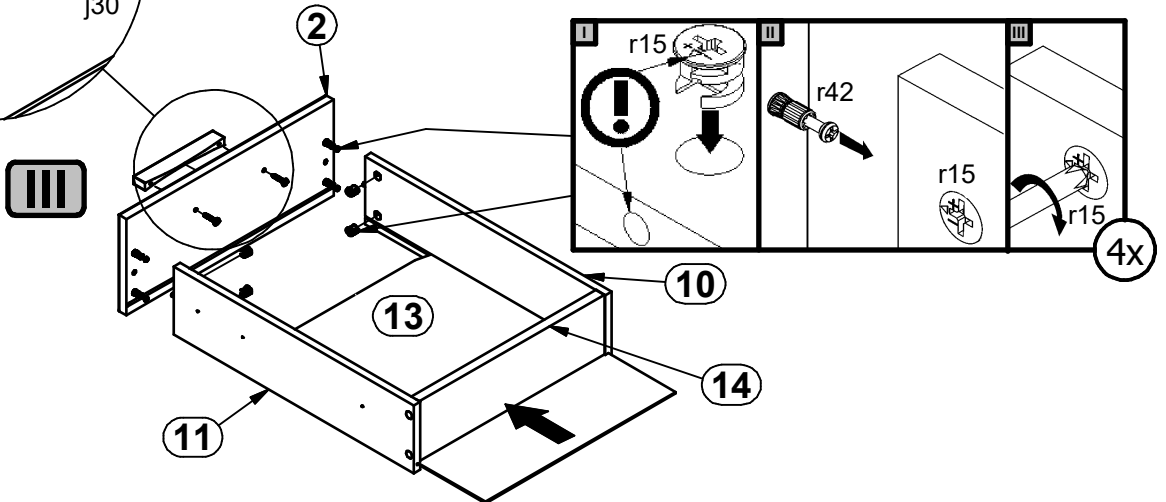
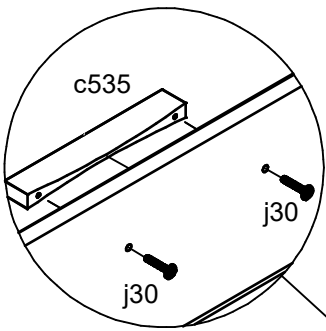
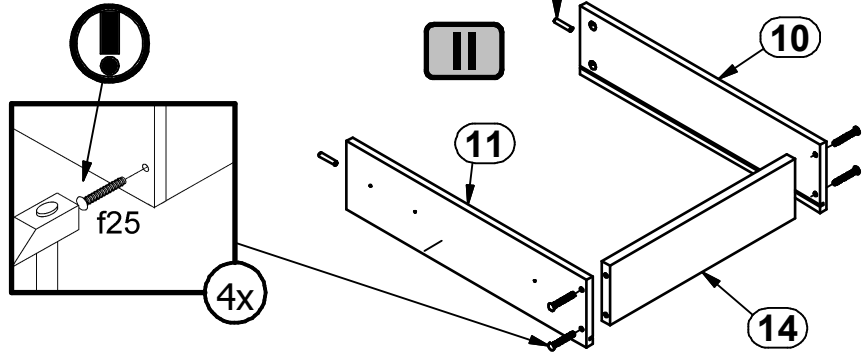


IV

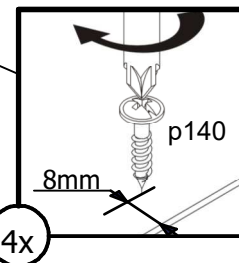
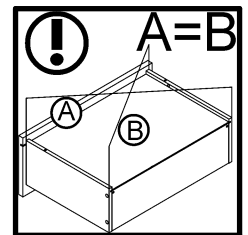
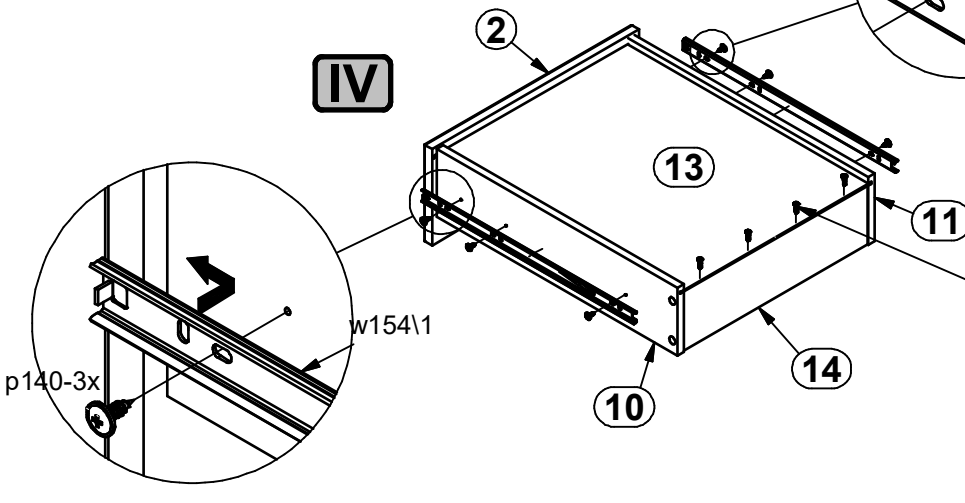




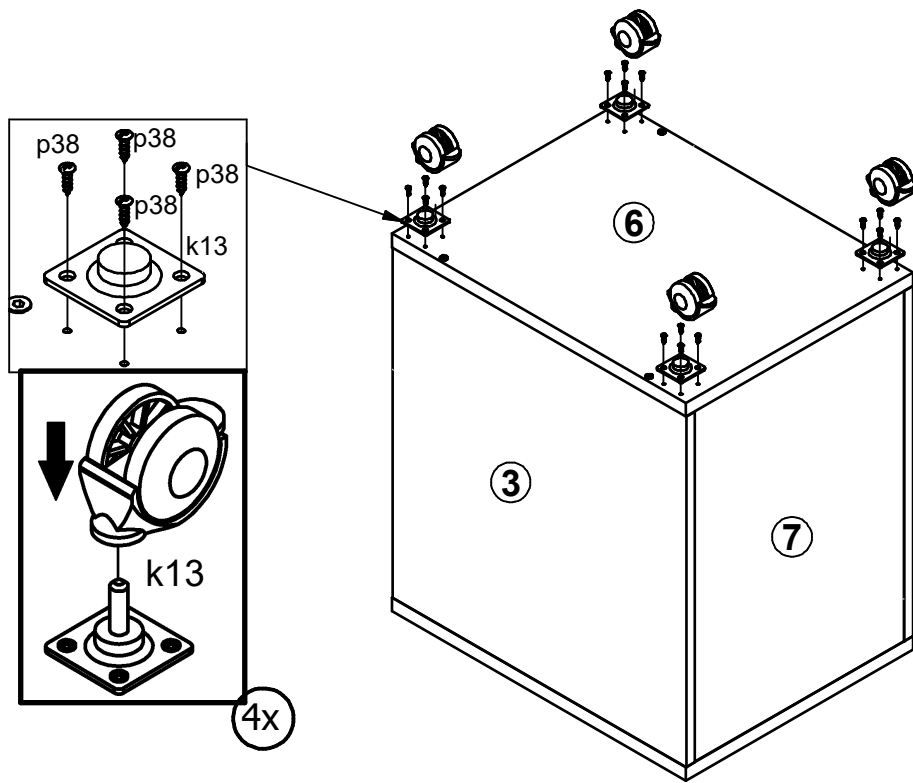
3x



IV



5



6

