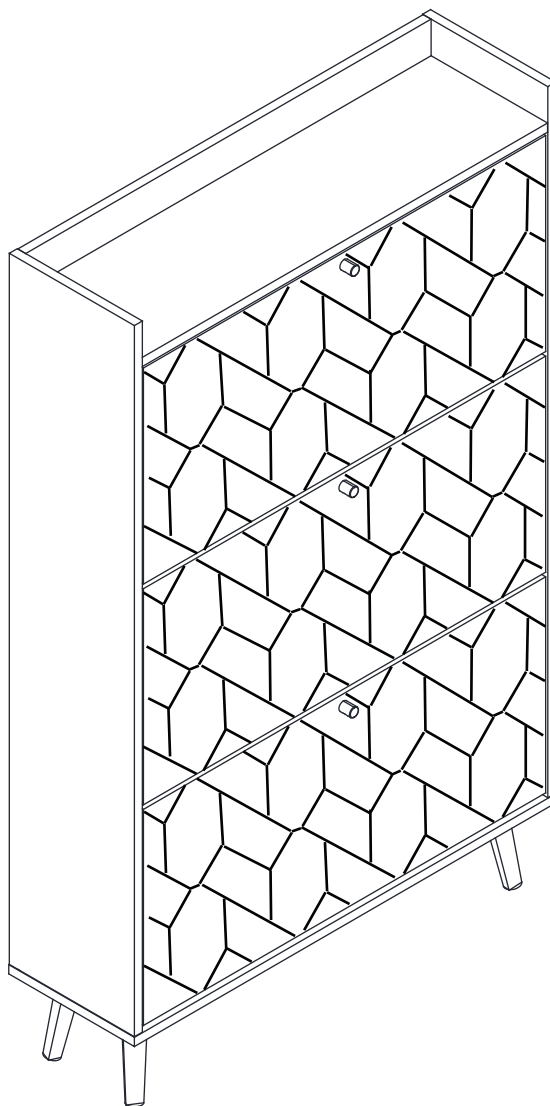


# Installation Instruction



Product name

---

**SHOE RACK**

Ver.1.0 20221213

# Assembling

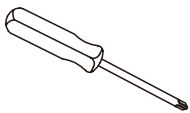
Estimated time for assembly



**30 : 00**

What you need

- Use the packaging carton as a working surface to prevent product damage during assembly
- Phillips head screwdriver



Weight Limitation



**40**  
lbs table top

**11**  
lbs per Shelf



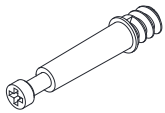
2 PERSONS

# What's included

Code	Description	Qty
A	Cam Bolt M6X35MM	12
B	Cam Lock 15X10MM	12
C	Screw M4X35MM	6
D	Screw M4X14MM	42
E	Screw M4X14MM	20
F	Bolt M4X18MM	3
G	Handle	3
H	Wall Plug	2
I	Wooden Dowel M6X30MM	10
J	Inner shaft	6
K	Left Plastic holder	3
L	Right Plastic Holder	3
M	Plastic Stopper	6
N	External Shaft	6
O	Screw M3X14MM	4
P	Metal Pin	4
Q	Wooden Dowel M6X50MM	2
R	Plastic corner support	4
S	Plastic Strip	1

# The Hardwares

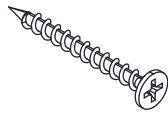
A



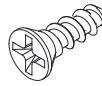
B



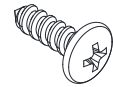
C



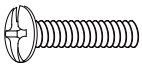
D



E



F



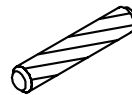
G



H



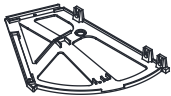
I



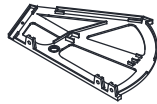
J



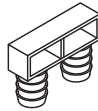
K



L



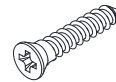
M



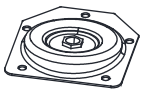
N



O



P



Q



R



S



## IMPORTANT:

1. Do not tighten bolts / screws completely until all bolts / screws are lined up and inserted into holes.
2. Do not over tighten screws and bolts to avoid stripping.
3. Please use hand tools to assemble this product. Do not use power tools.



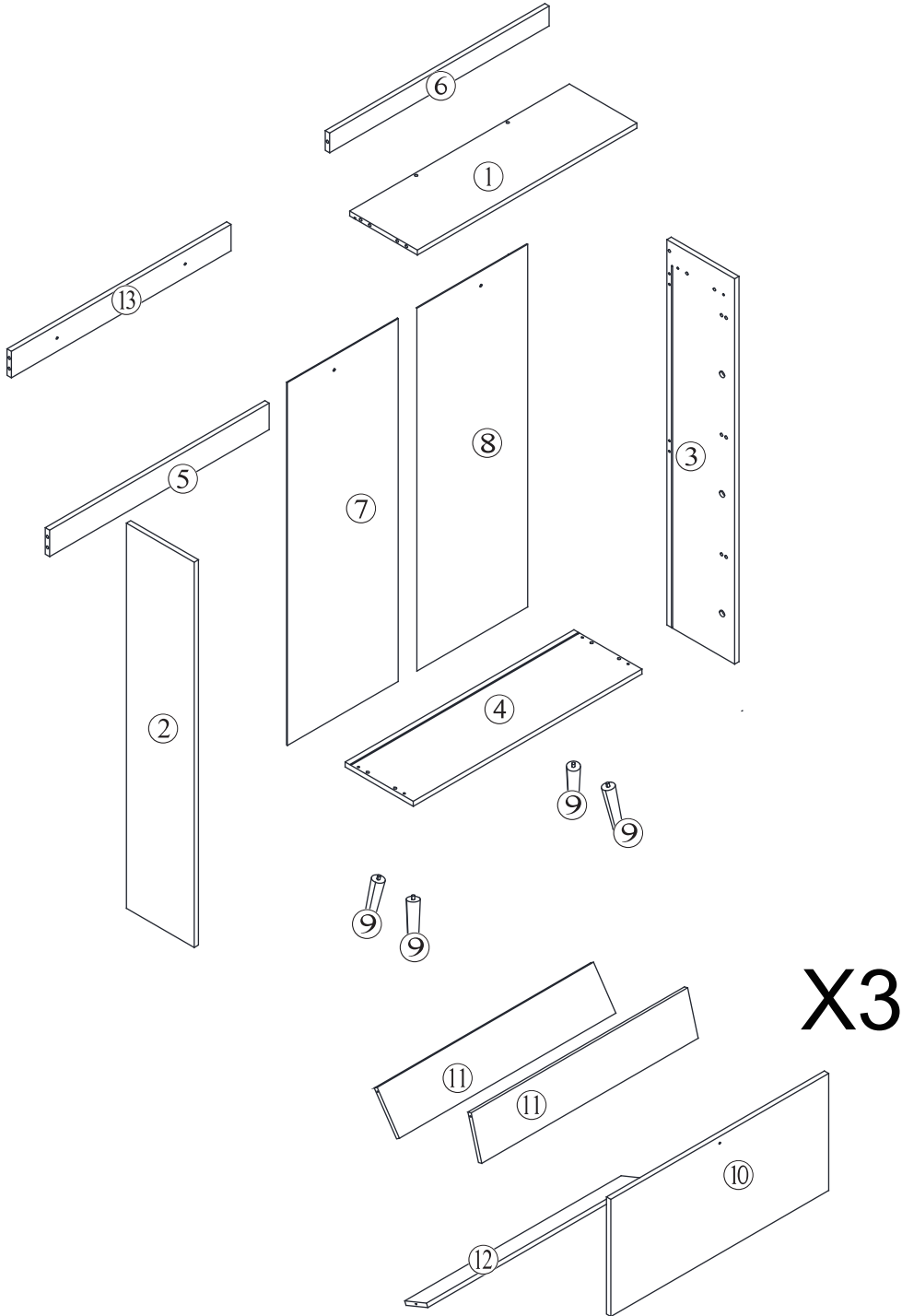
# Included Accessories

---

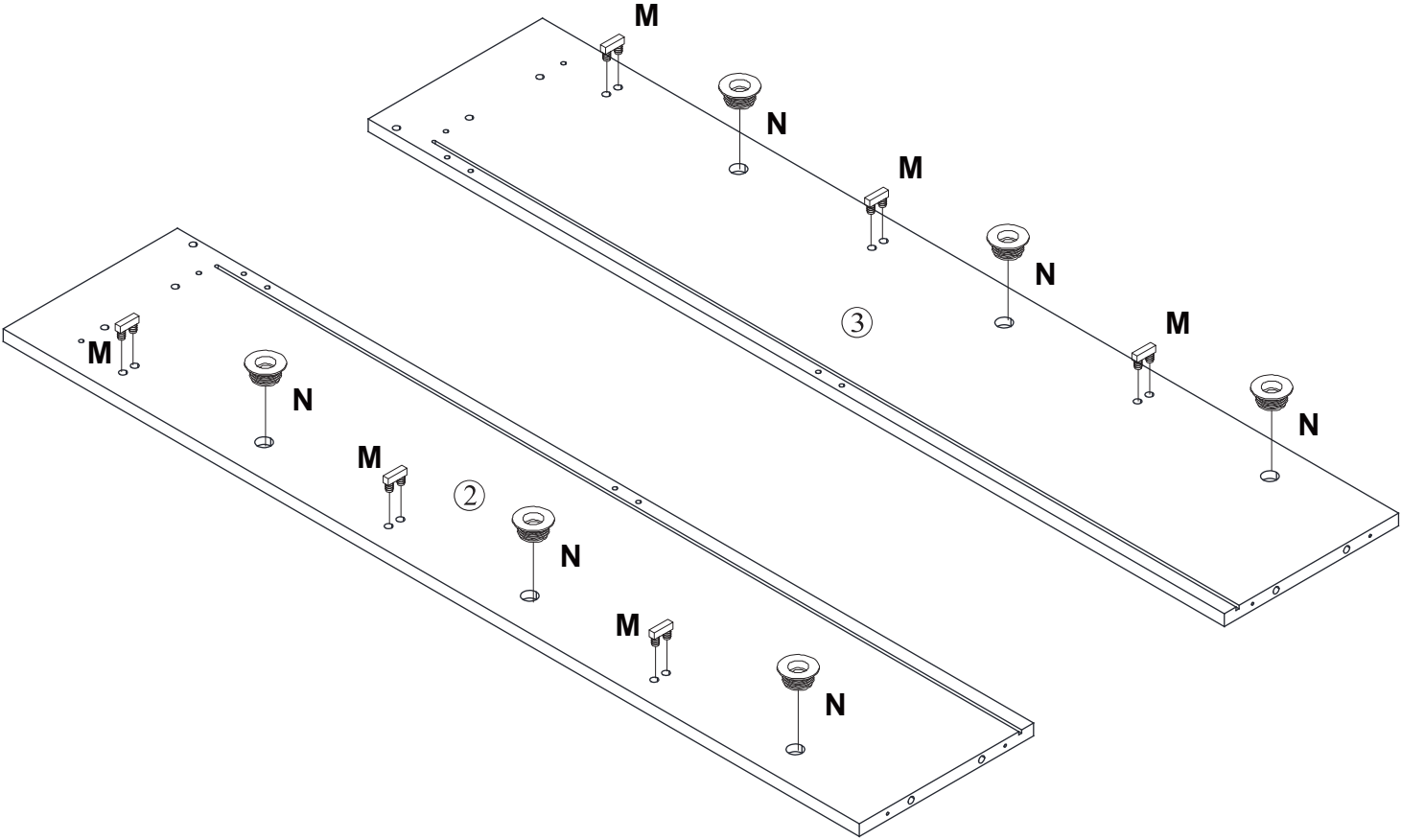
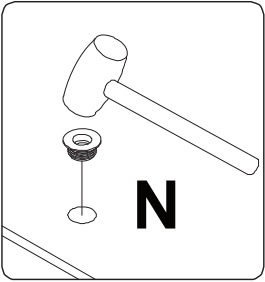
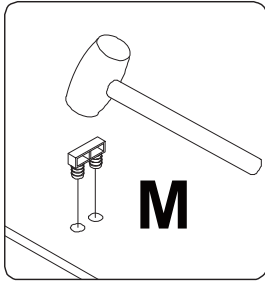
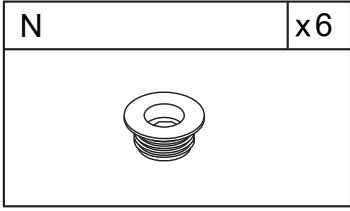
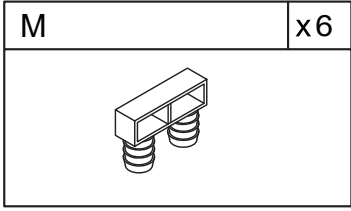
Code	Description	Qty
1	Cabinet Top	1
2	Left Side Panel	1
3	Right Side Panel	1
4	Bottom Panel	1
5	Middle Stretcher	1
6	Top Stretcher	1
7	Back Panel	1
8	Back Panel	1
9	Feet	4
10	Front Door Panel	3
11	Large Partition Board	6
12	Small Partition Board	3
13	Rear Stretcher	1

---


# The Accessoriess

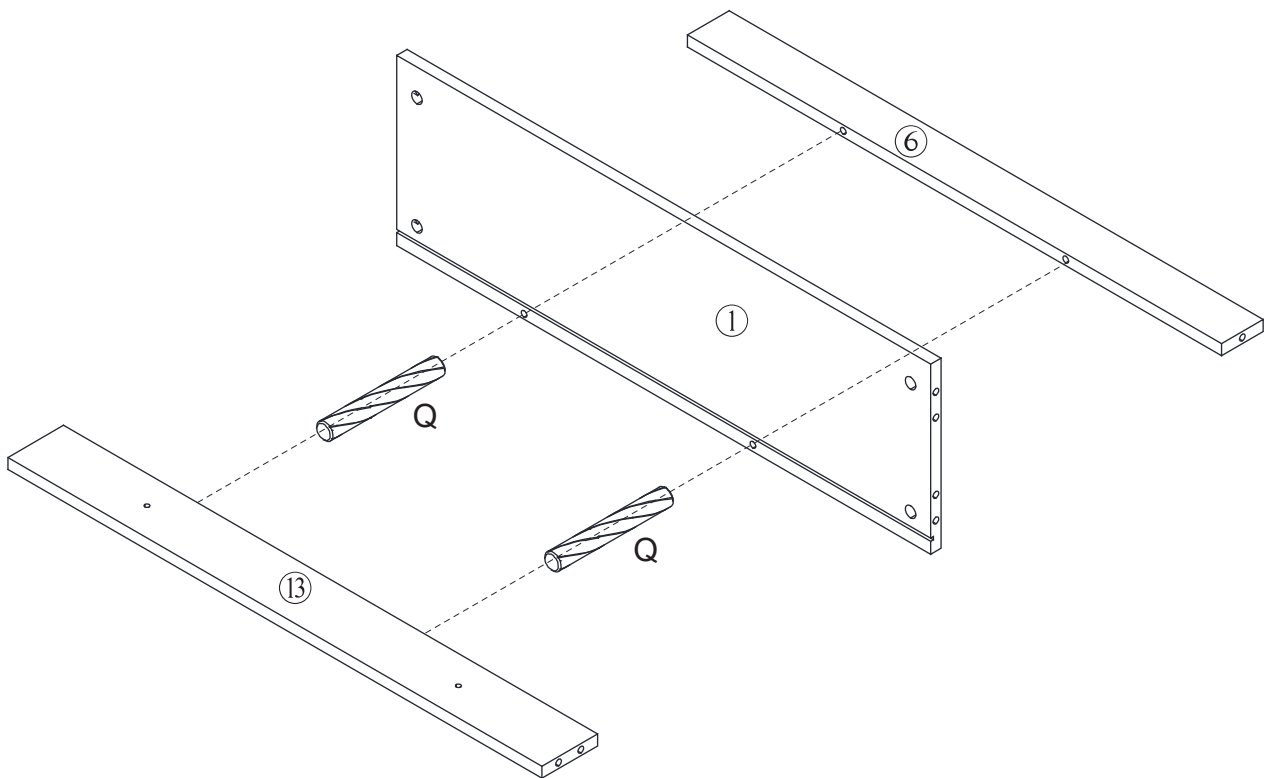


# Step 1

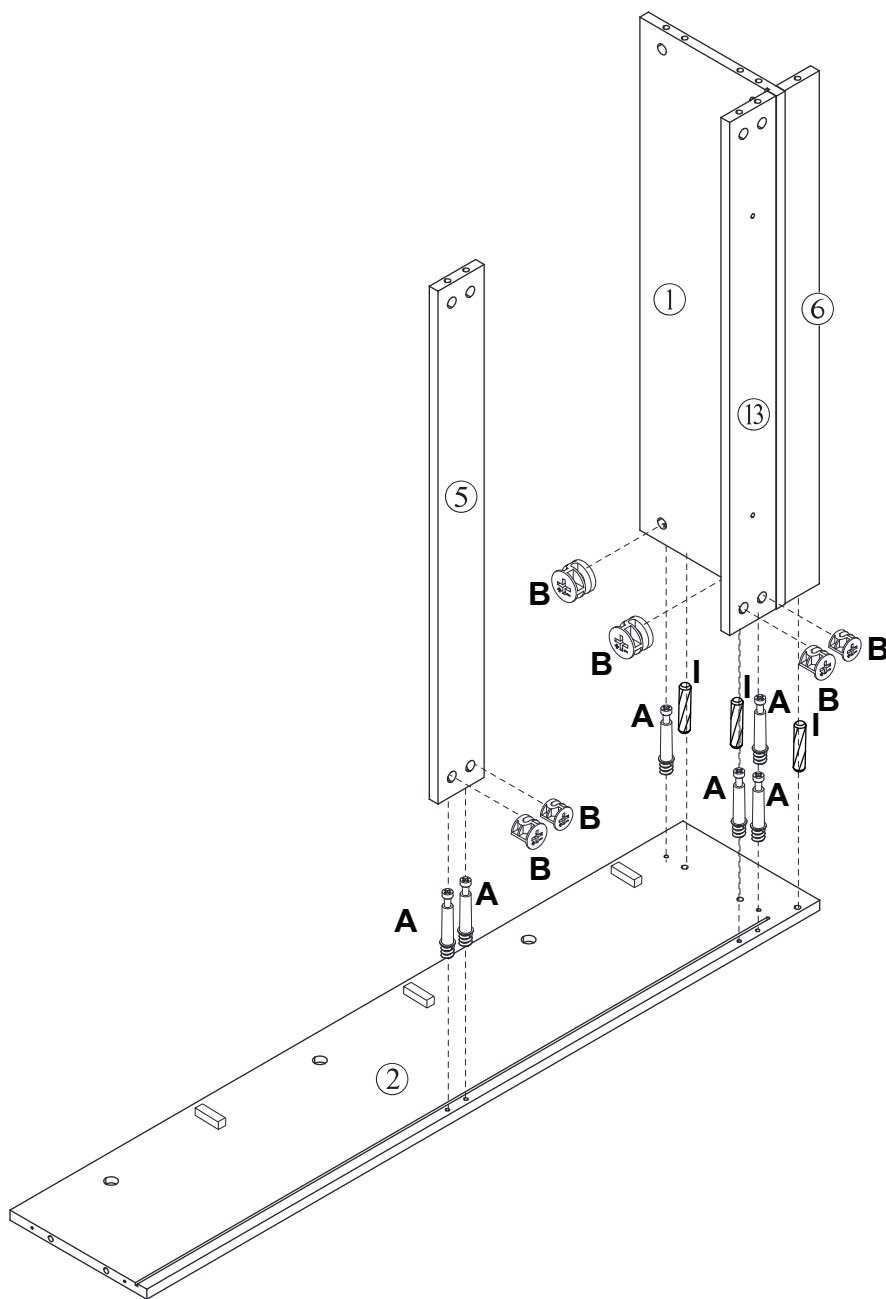
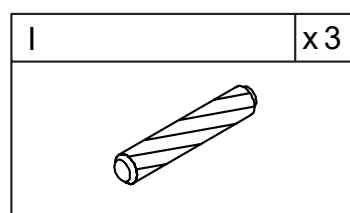
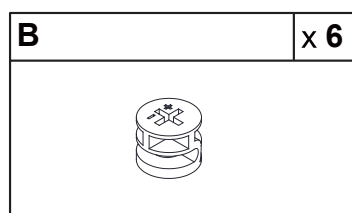
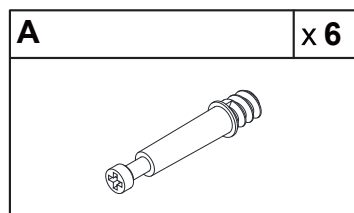


# Step 2

Q	x2
	

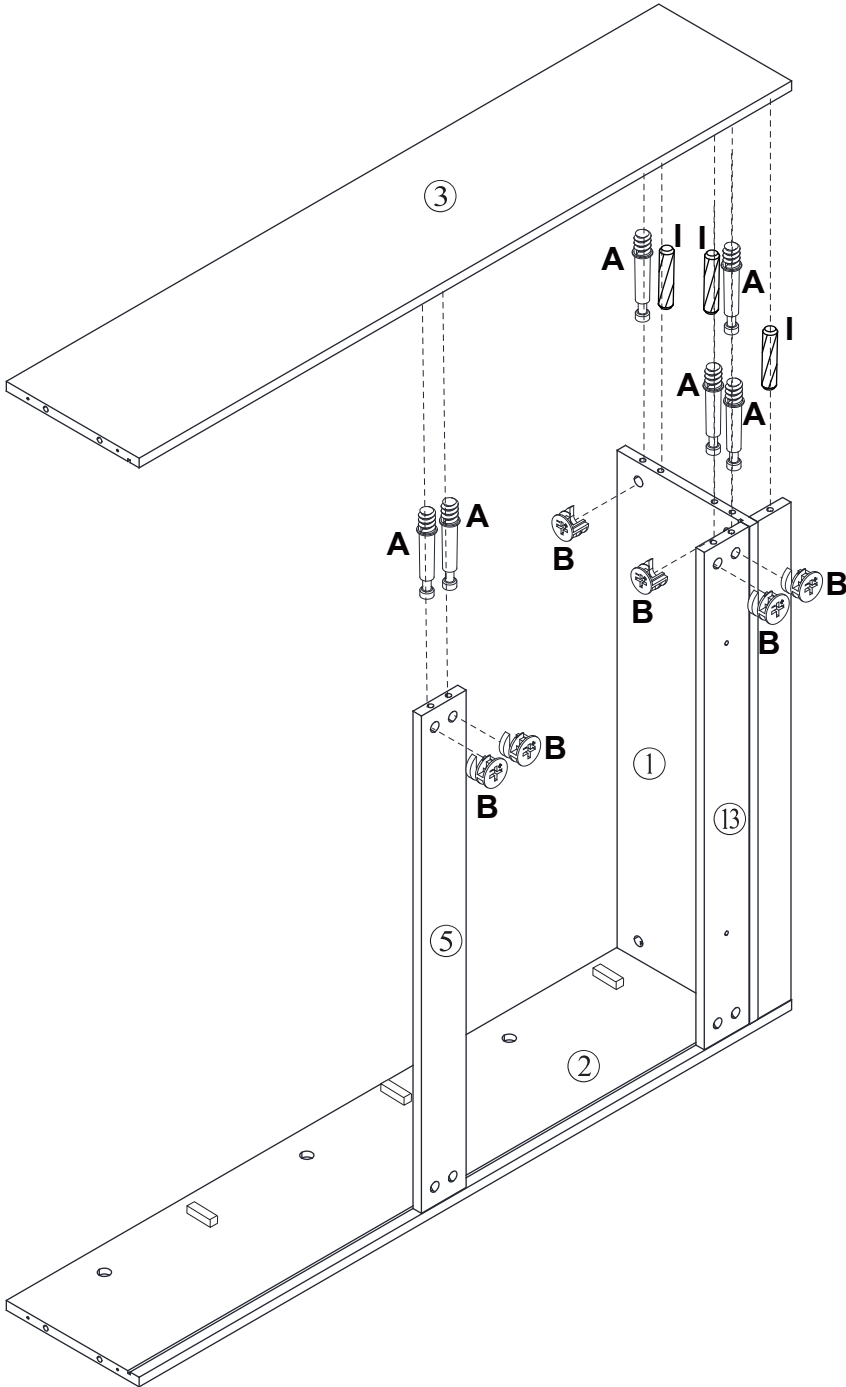
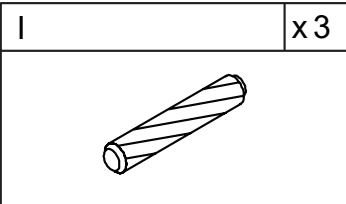
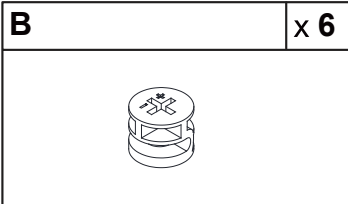
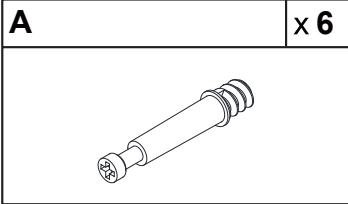


# Step 3




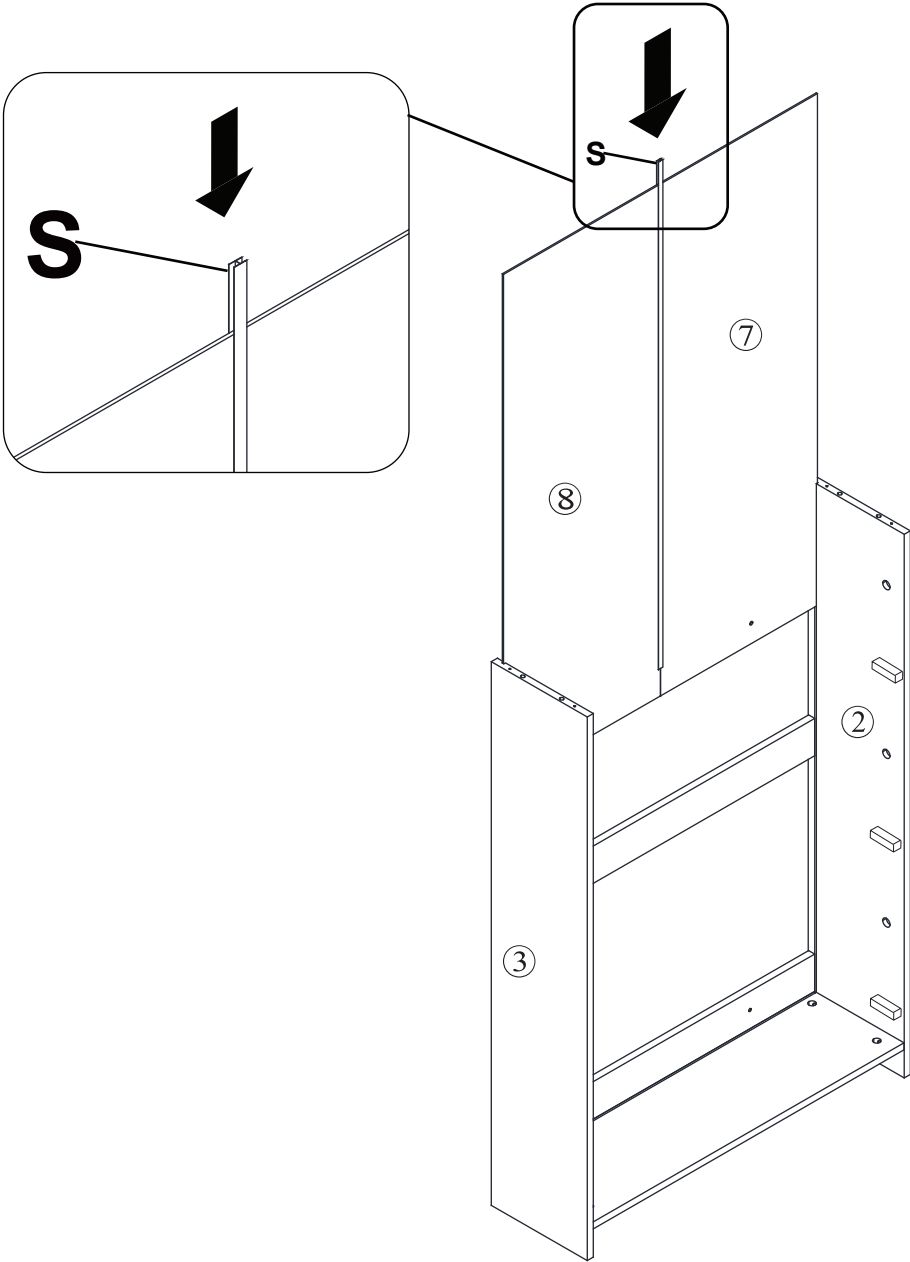


# Step 4

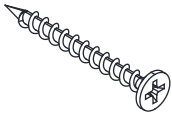


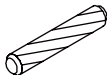
# Step 5

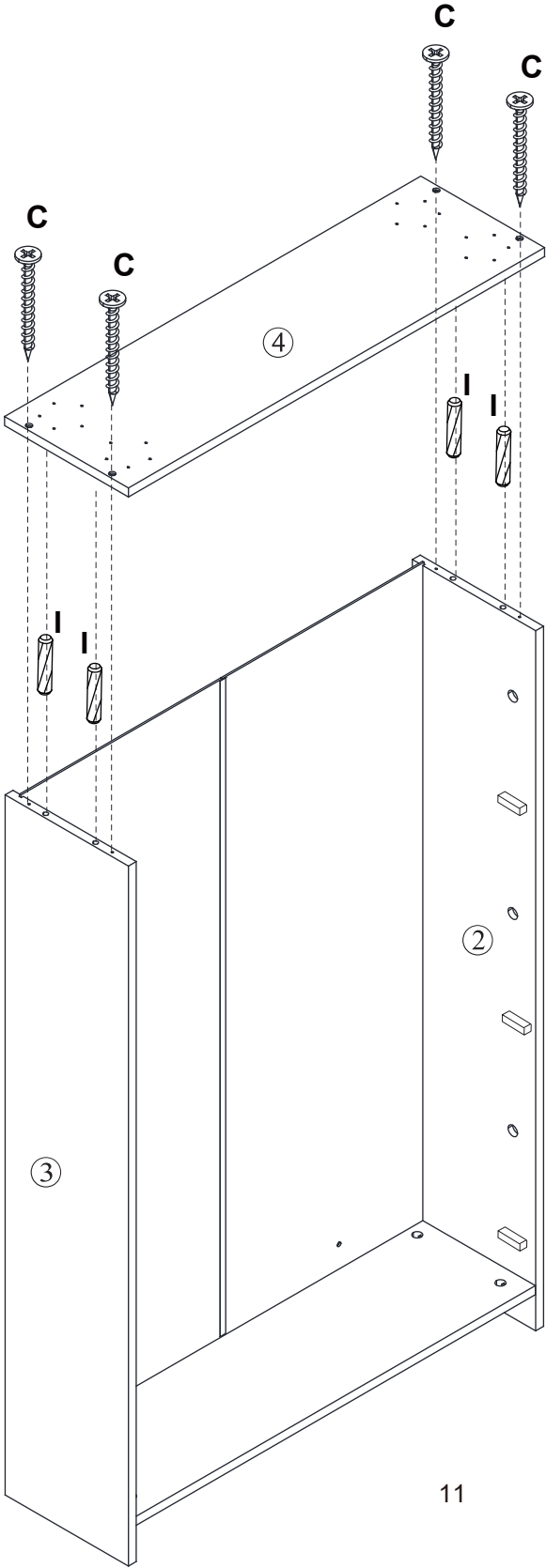
S	x1
	



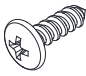
# Step 6

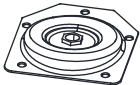
<b>C</b>	<b>x4</b>
	

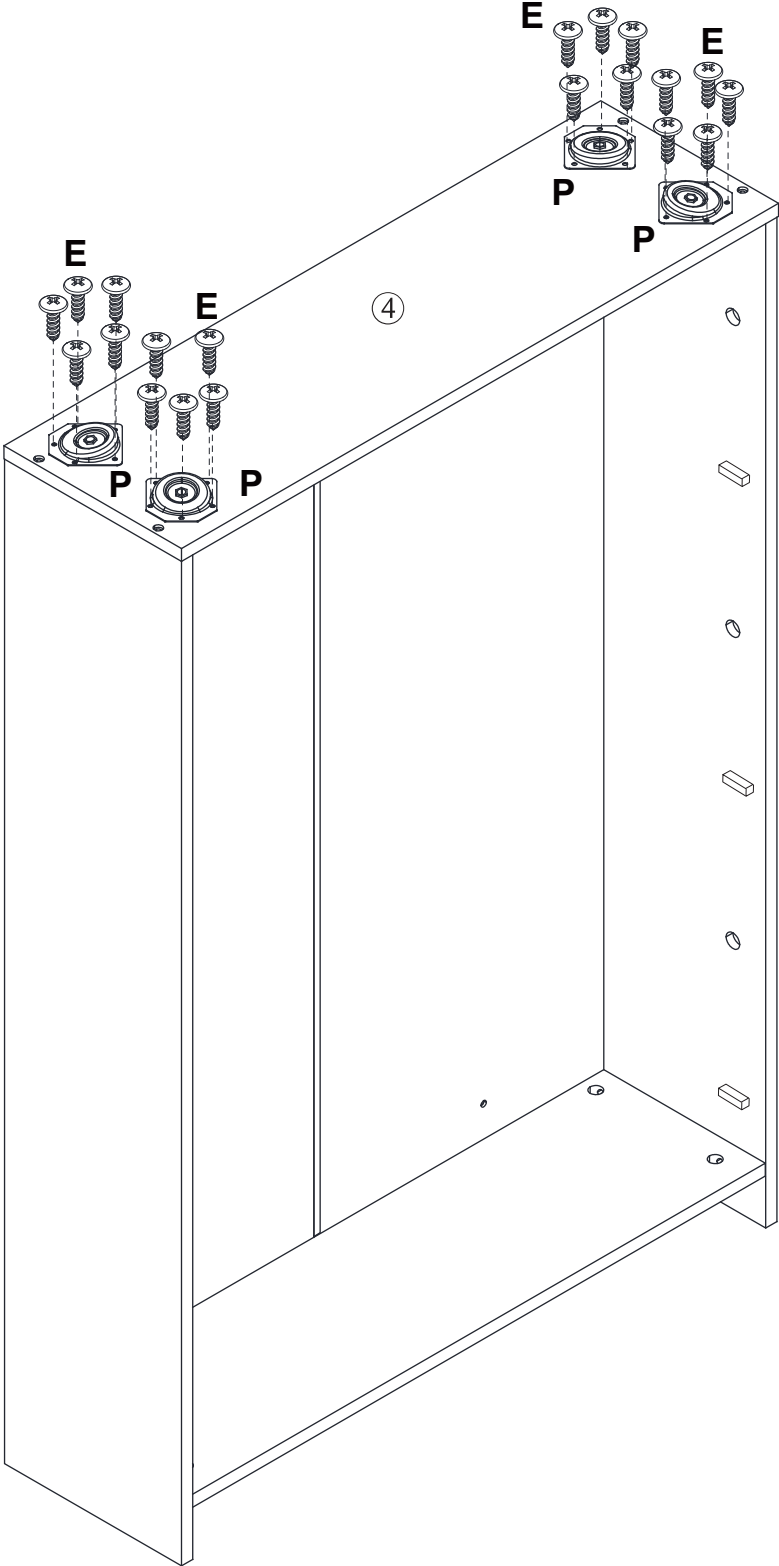
<b>I</b>	<b>x4</b>
	



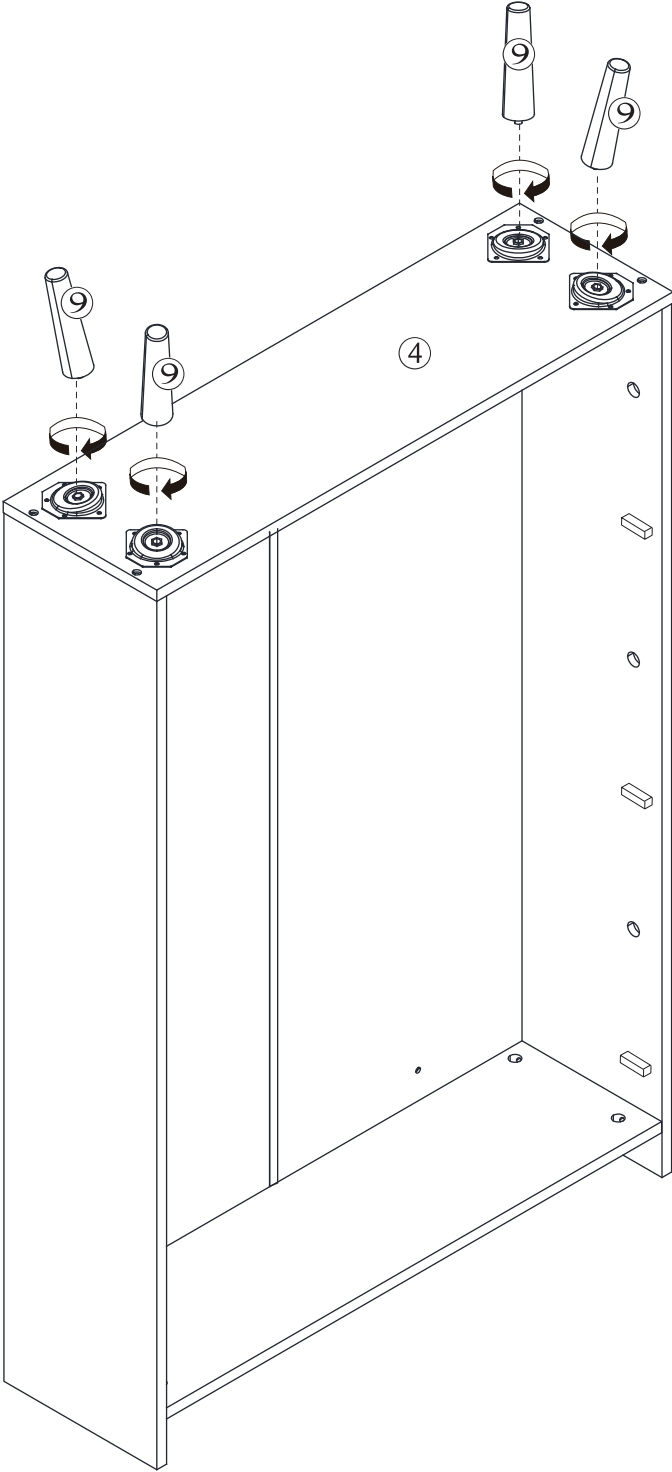
# Step 7

<b>E</b>	<b>x20</b>
	

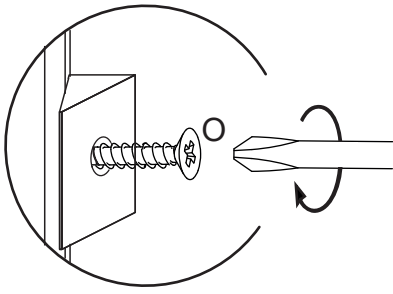
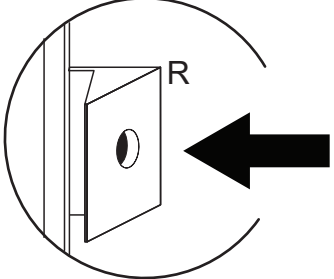
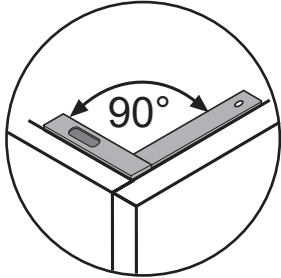
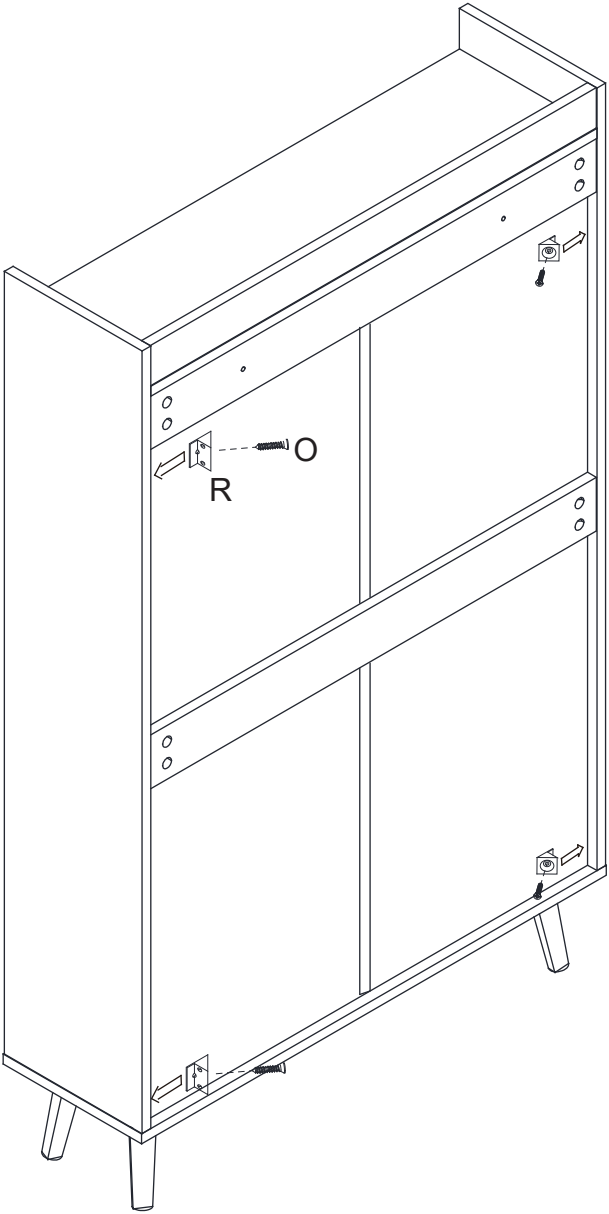
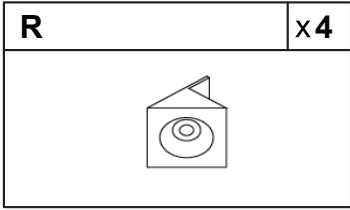
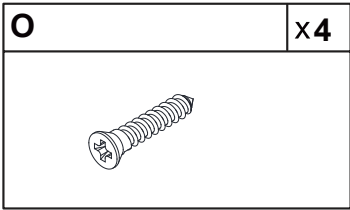
<b>P</b>	<b>x4</b>
	



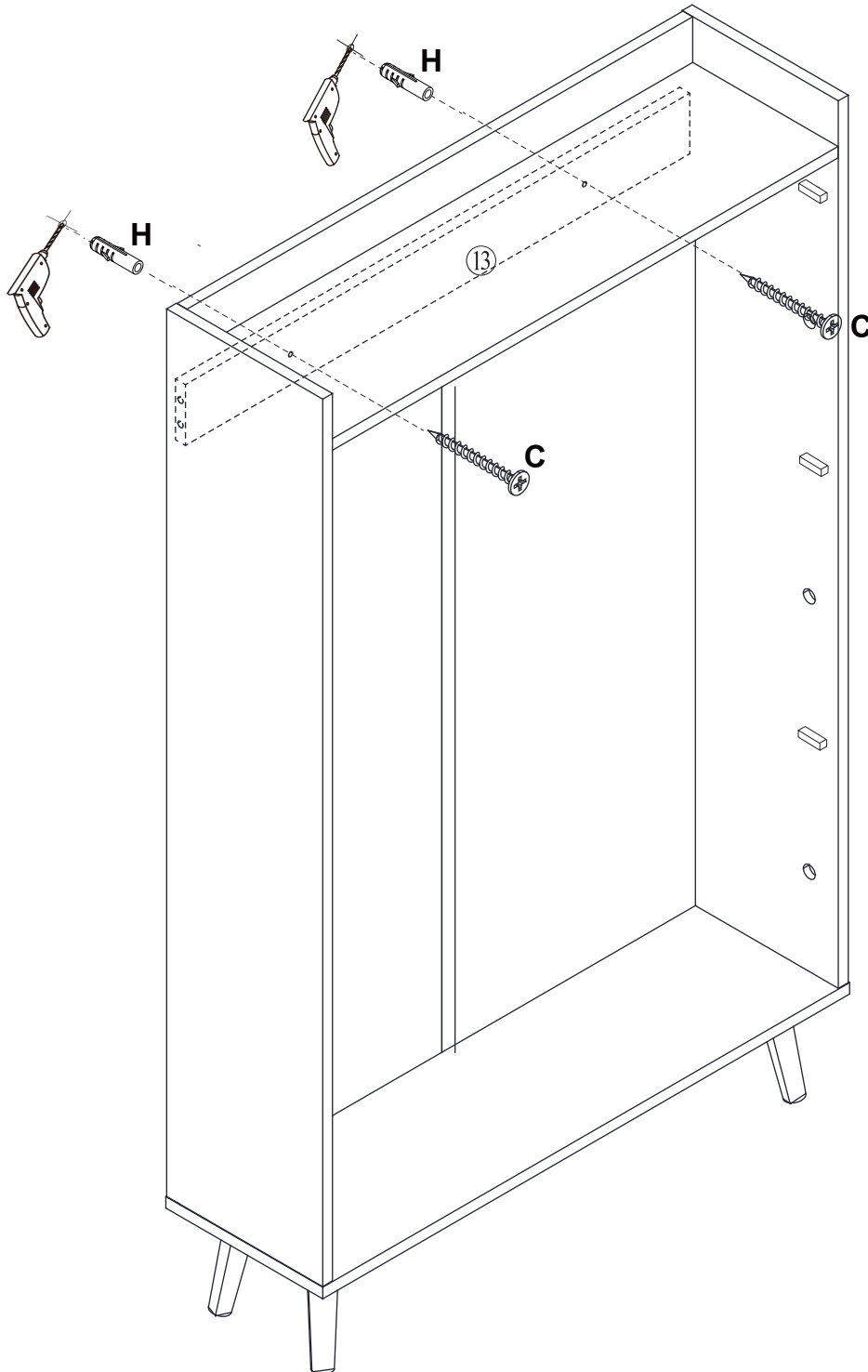
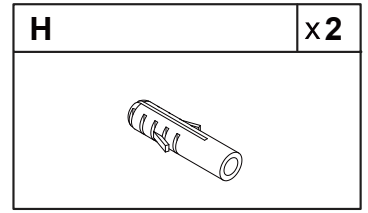
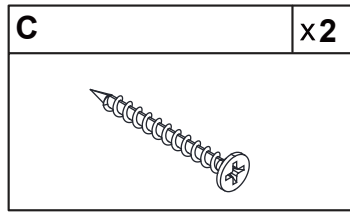
# Step 8



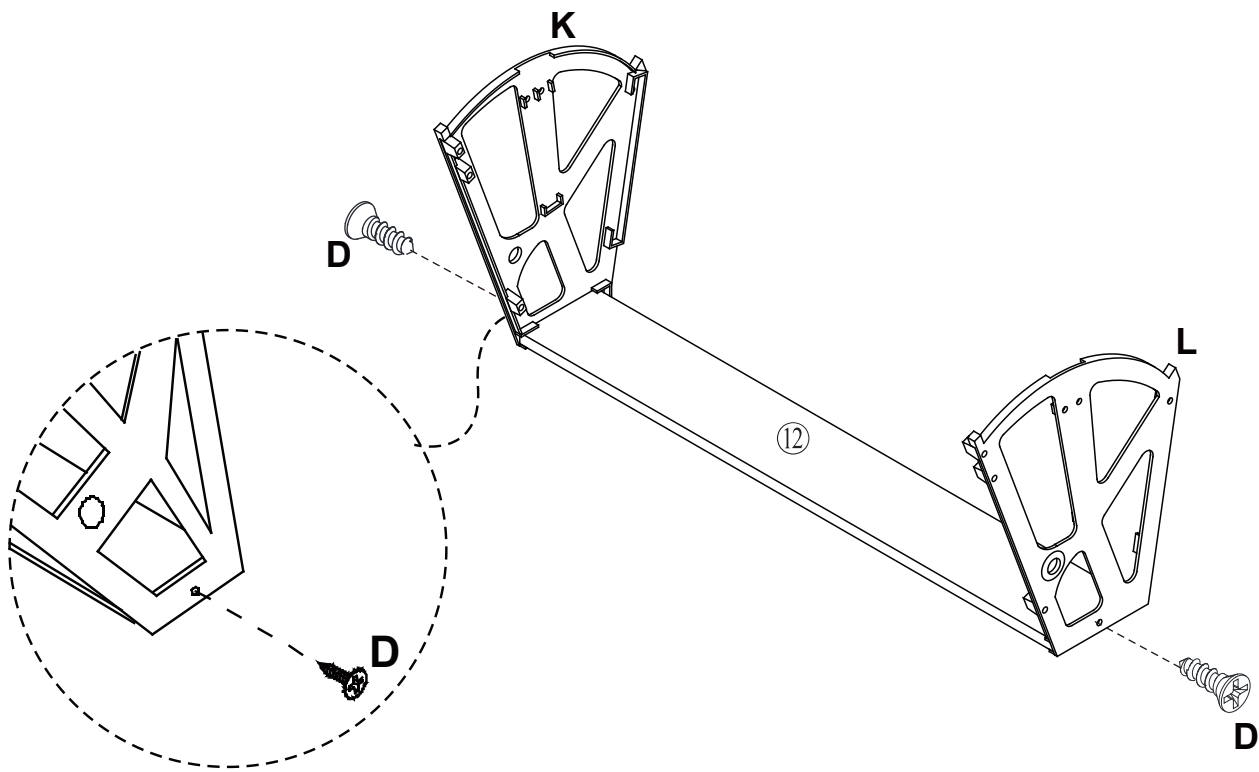
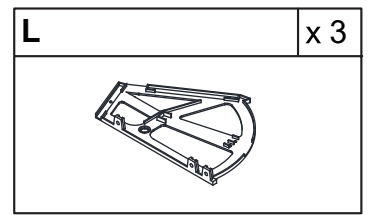
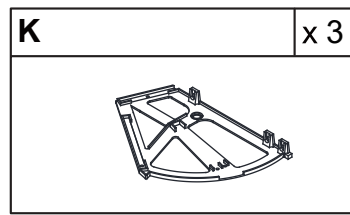
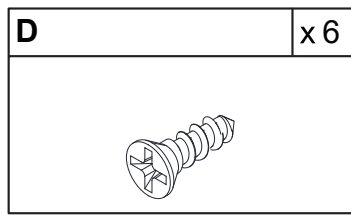
# Step 9



# Step 10



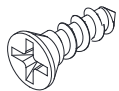
# Step 11

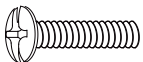



**X3**

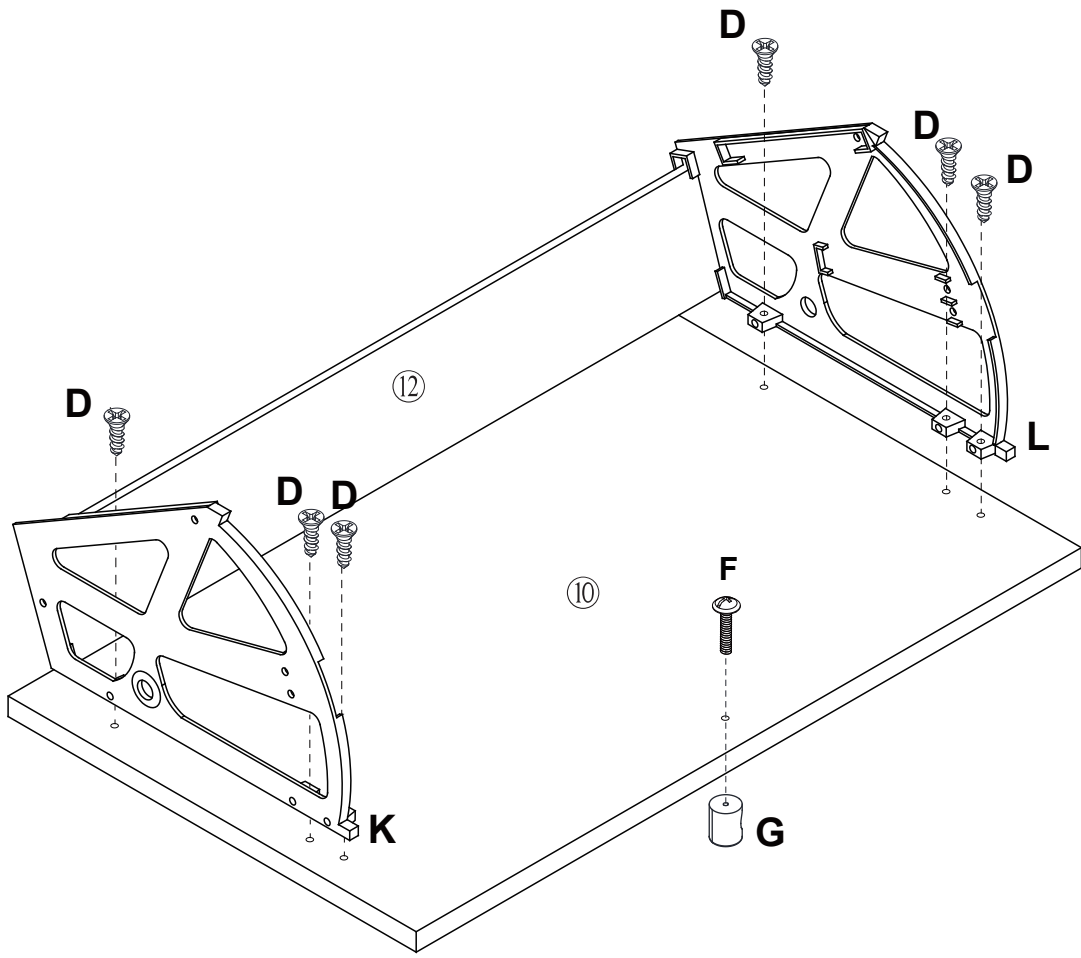


# Step 12

<b>D</b>	<b>x18</b>
	

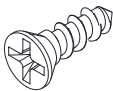
<b>F</b>	<b>x3</b>
	

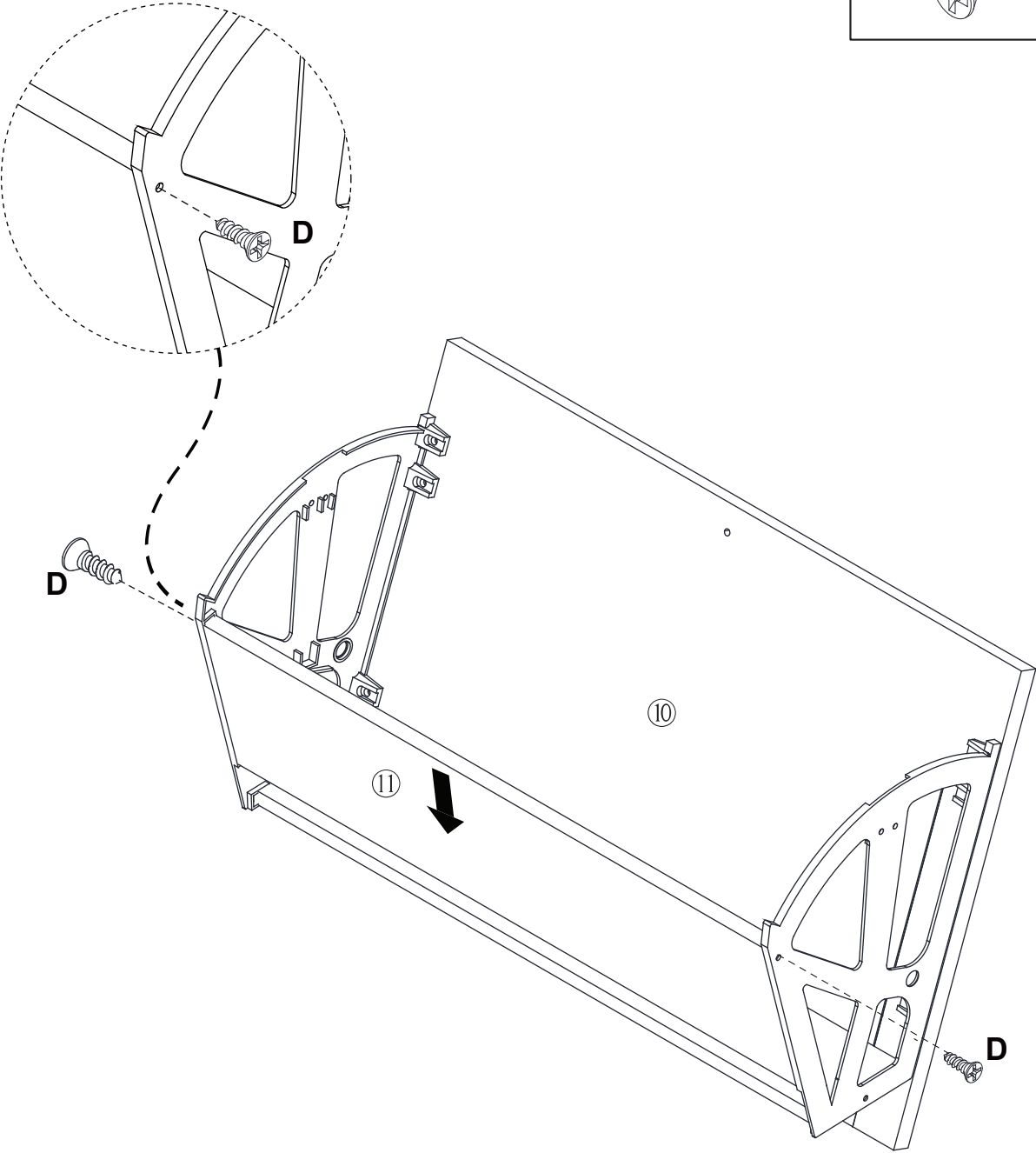
<b>G</b>	<b>x3</b>
	



**X3**

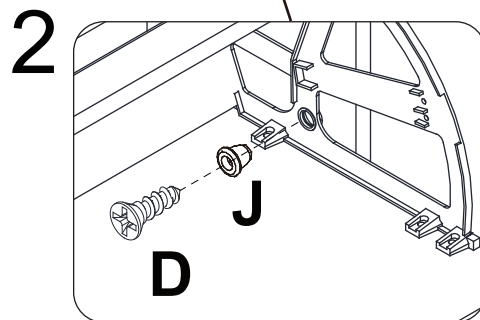
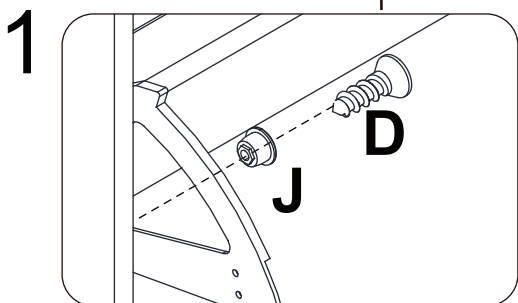
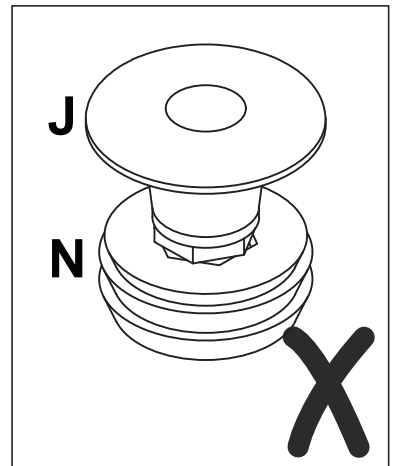
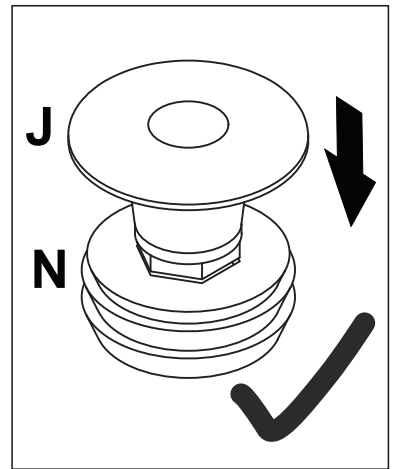
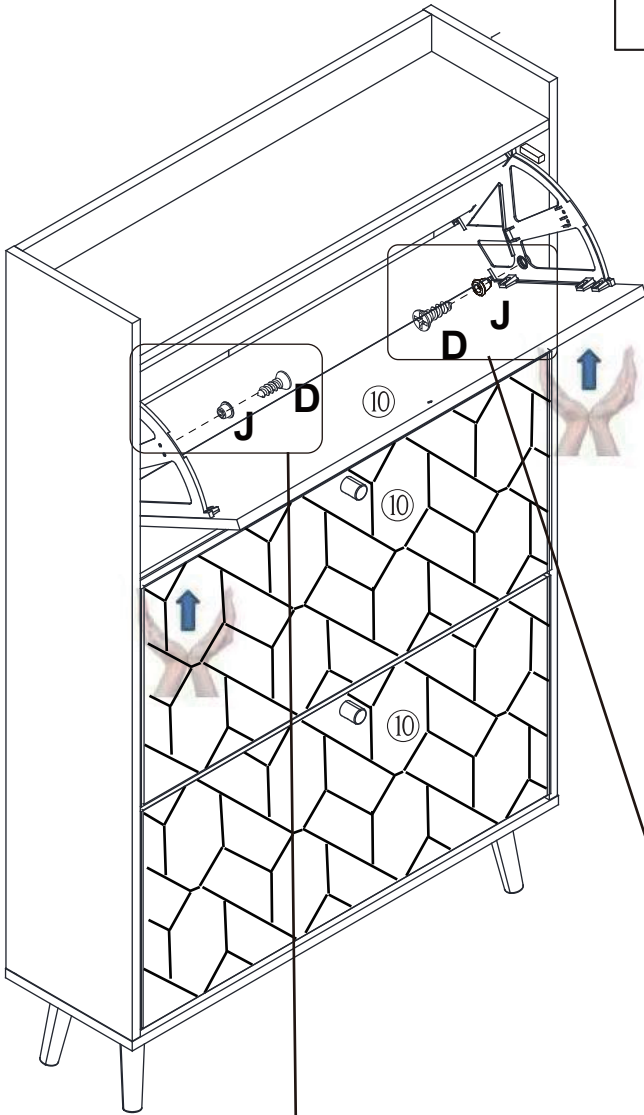
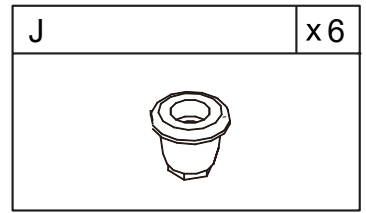
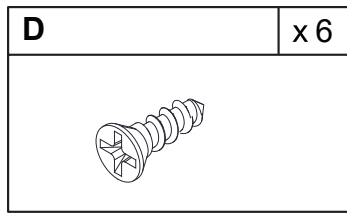
# Step 13

D	x6
	

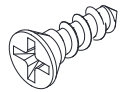


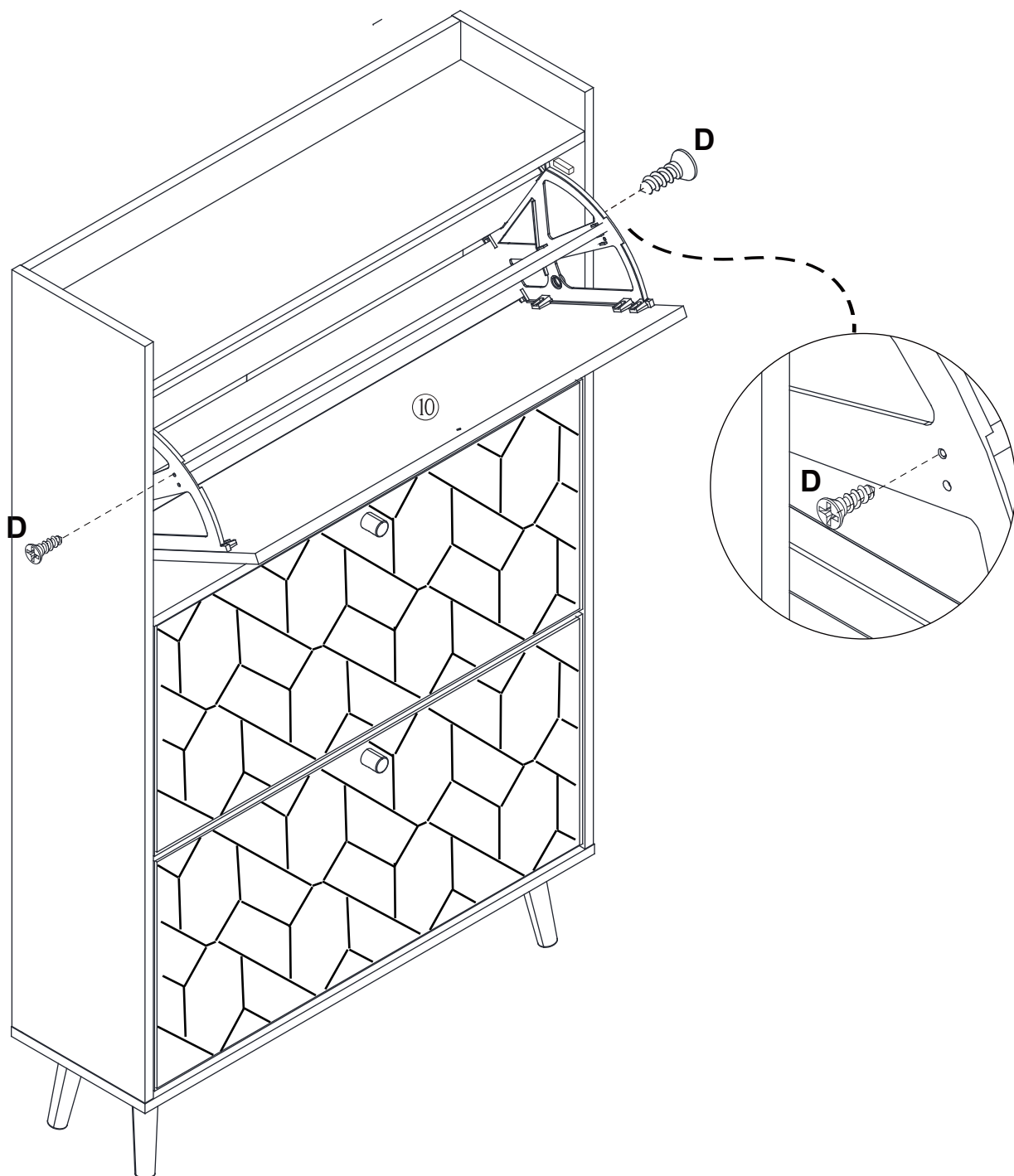
X3

# Step 14



# Step 15

<b>D</b>	x6
	



# Proper Use

- DO NOT** use for commercial purposes
- DO NOT** use as a step stool or stand on table
- DO NOT** put hot serving liquid directly on the table top
- DO NOT** leave spilled liquid on the table top
- DO NOT** use table if damaged
- DO NOT** exceed weight limit
- DO NOT** make temporary repairs
- DO NOT** use outdoor

Dear Customer:

Thank you for purchasing our product, we wish you satisfy our service, if you have any further questions or any quality issues, please show the belows number and don't hesitate to contact our Customer Service People.:

W688202212