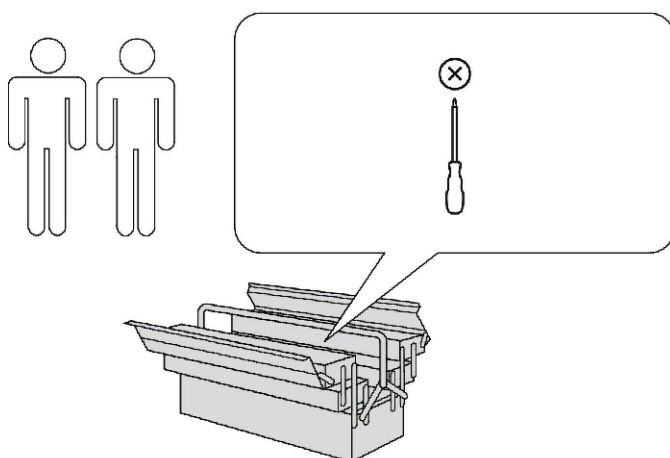


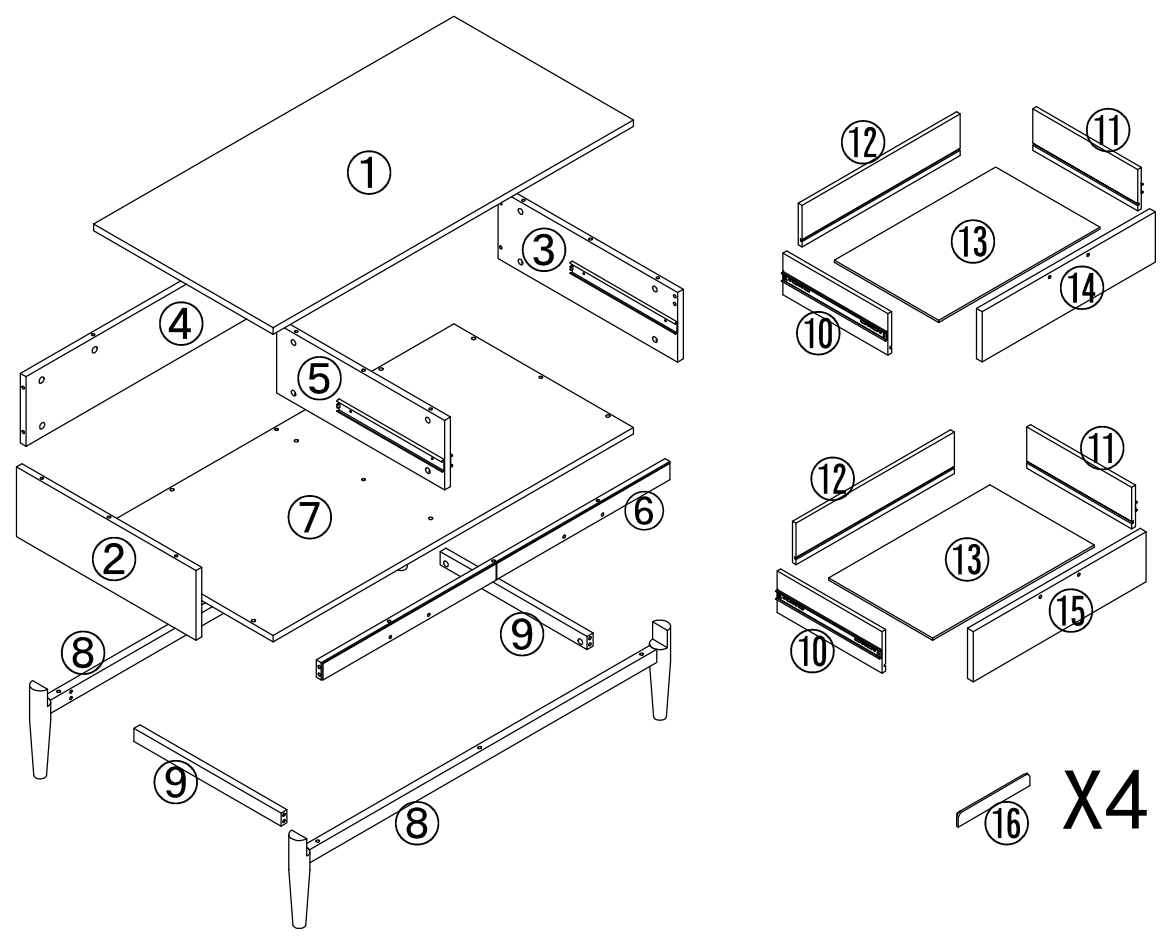
- | | | | |
|----|-----------------------------|----|-------------------------|
| Ⓓ | Montageanleitung | ⒼⒷ | Assembly instructions |
| ⒻⓇ | Notice de montage | ⒾⓉ | Istruzioni di montaggio |
| ⓃⓁ | Handleiding voor de montage | ⓅⓁ | Instrukcja montażu |
| ⒸⓏ | Montážní návod | ⓈⓀ | Návod na montáž |
| ⒽⓊ | Szerelési utmutató | Ⓡⓞ | Instrucțiuni de montaj |
| ⓉⓇ | Montaj talimatı | ⓇⓊ | Инструкция по монтажу |

Ausgabe:20211209

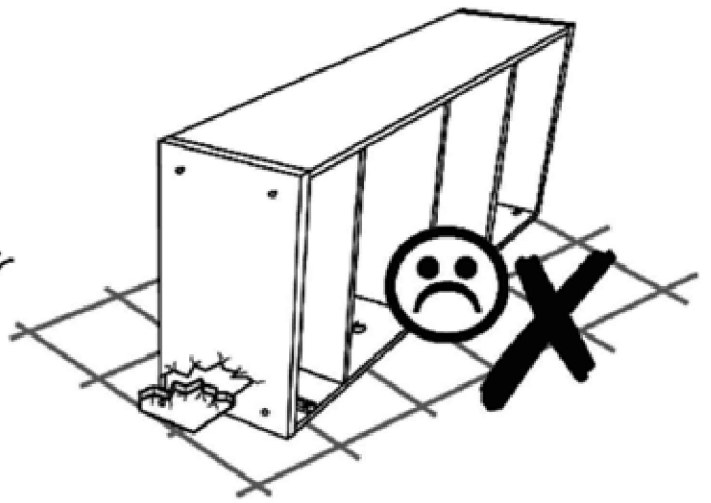
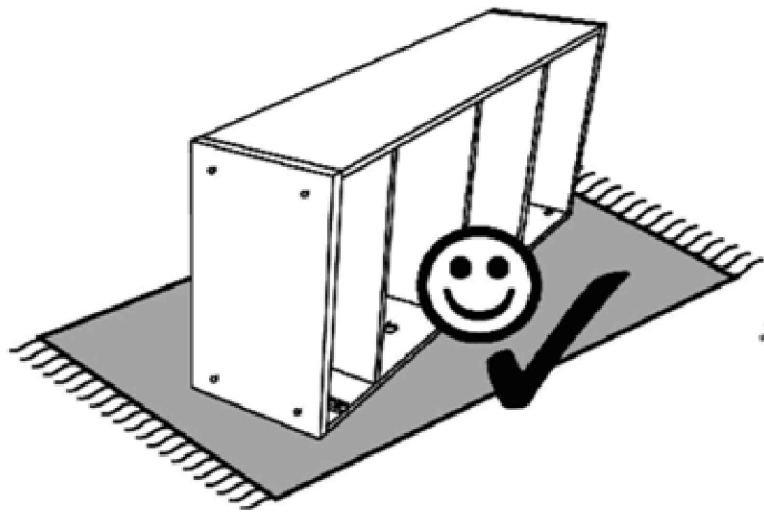


0
10
20
30
40
50
60
70
80
90
100
110
120
130
140
150
160
170
180
190
200

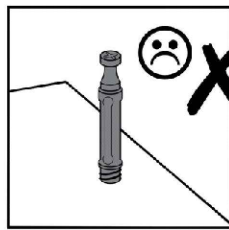
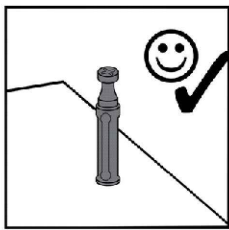
| Service • Assistenza • Dienstverlening • Serwis Servis • Szerviz • Сервисная служба | |
|------------------------------------------------------------------------------------------|---------------------|
| Name • Nom • Nome • Naam Nazwa • Jméno • Názov • Név Denumire • İsim • Название | CLAUS |
| Nr. • No. • N° • Номер • Č. Sz | 76205859 / 35180553 |
| Tur • Type • Tip • Típus Tipo Тип | YS-CB6706 |
| | |
| | |





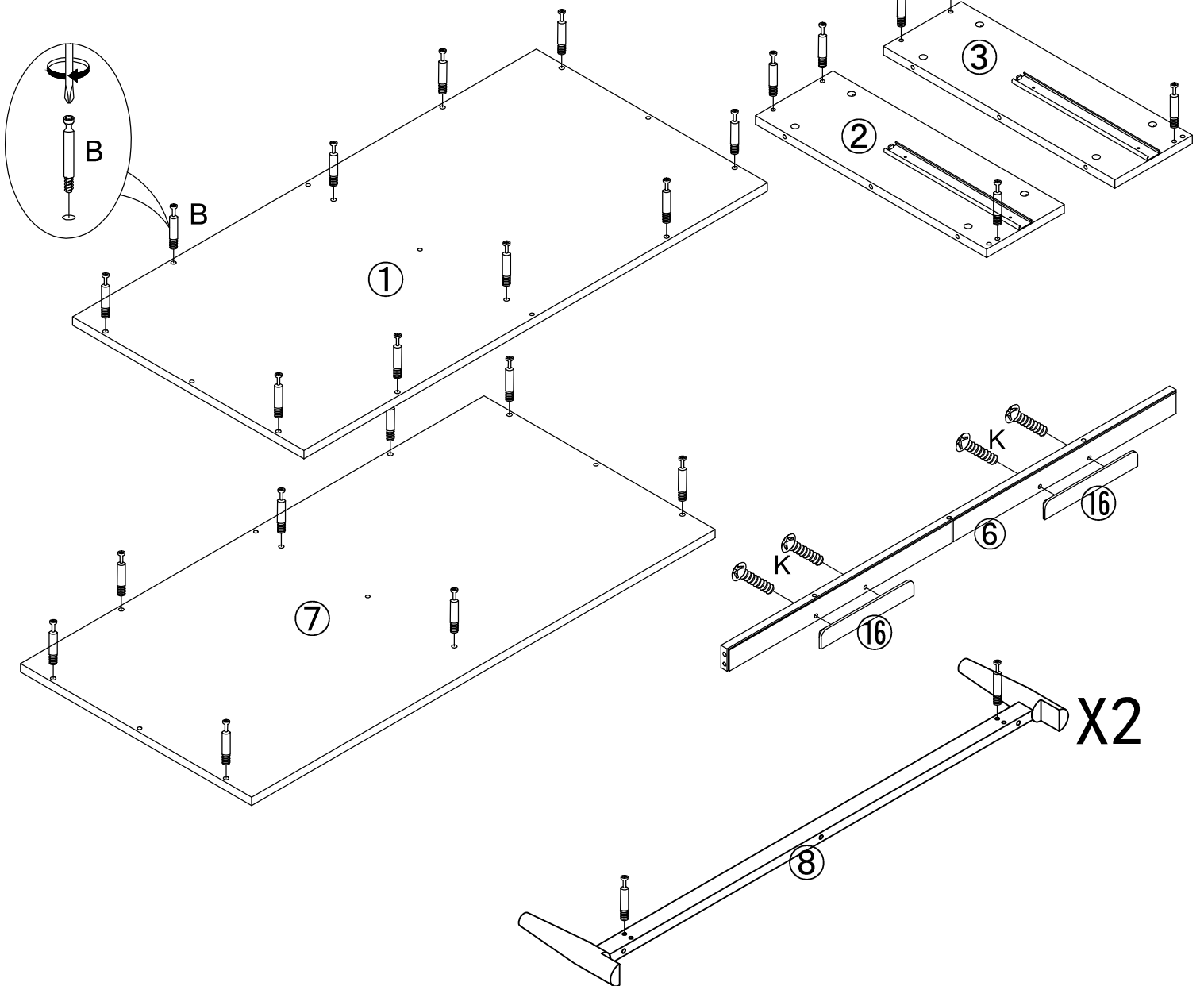
| | | | | | |
|---------------------|--------------|-------------------------|--------------|------------------------|-------------|
| A D15 X28 | B X28 | C 1/4X44MM X6 | D X6 | E D13 X6 | F X1 |
| G D12 X8 | H X8 | I M4X25MM X8 | J X15 | K M4X22MM X8 | L X4 |




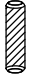
1

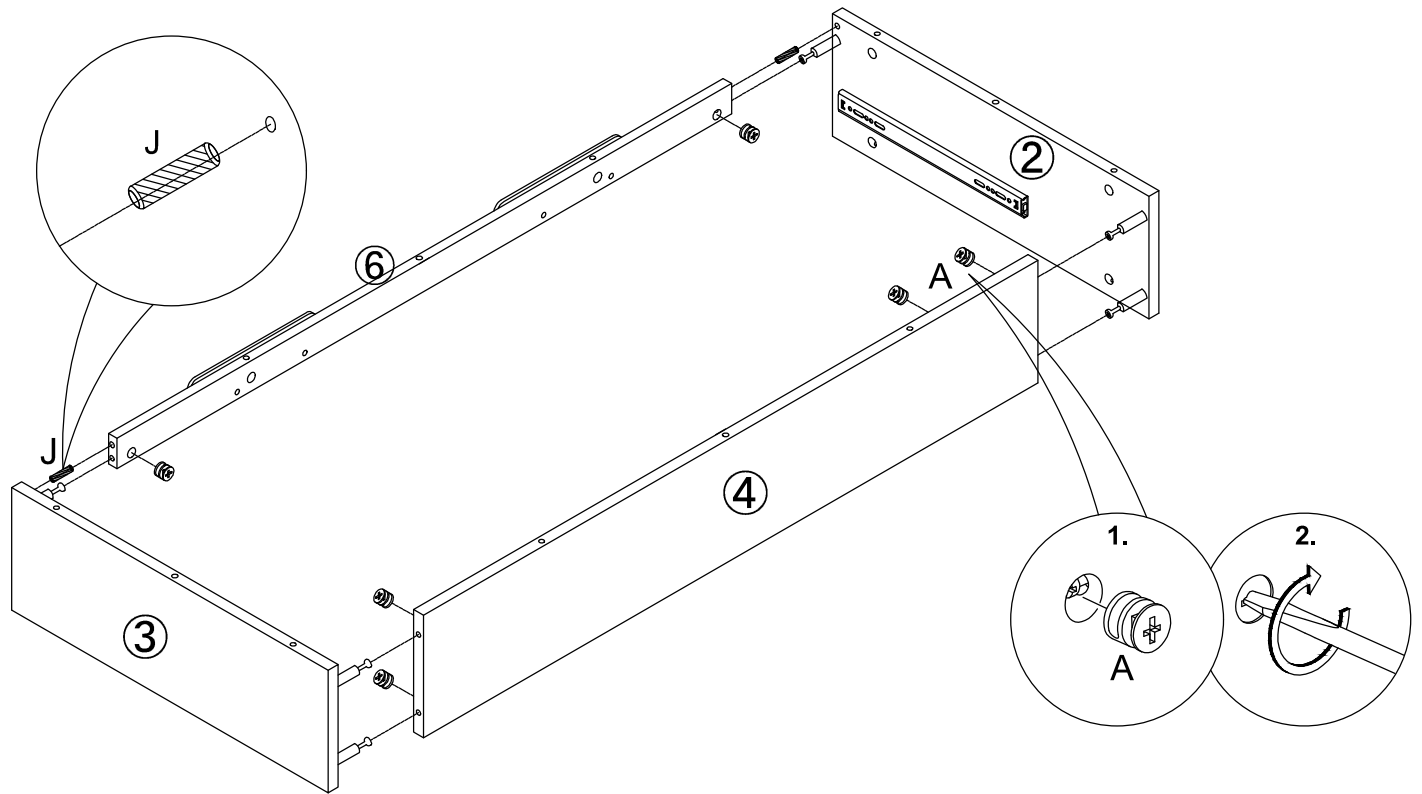


| | | | | | | |
|----------|-------------------------------------------------------------------------------------|-----|----------|---------|-------------------------------------------------------------------------------------|----|
| B |  | X28 | K | M4X22MM |  | X4 |
|----------|-------------------------------------------------------------------------------------|-----|----------|---------|-------------------------------------------------------------------------------------|----|





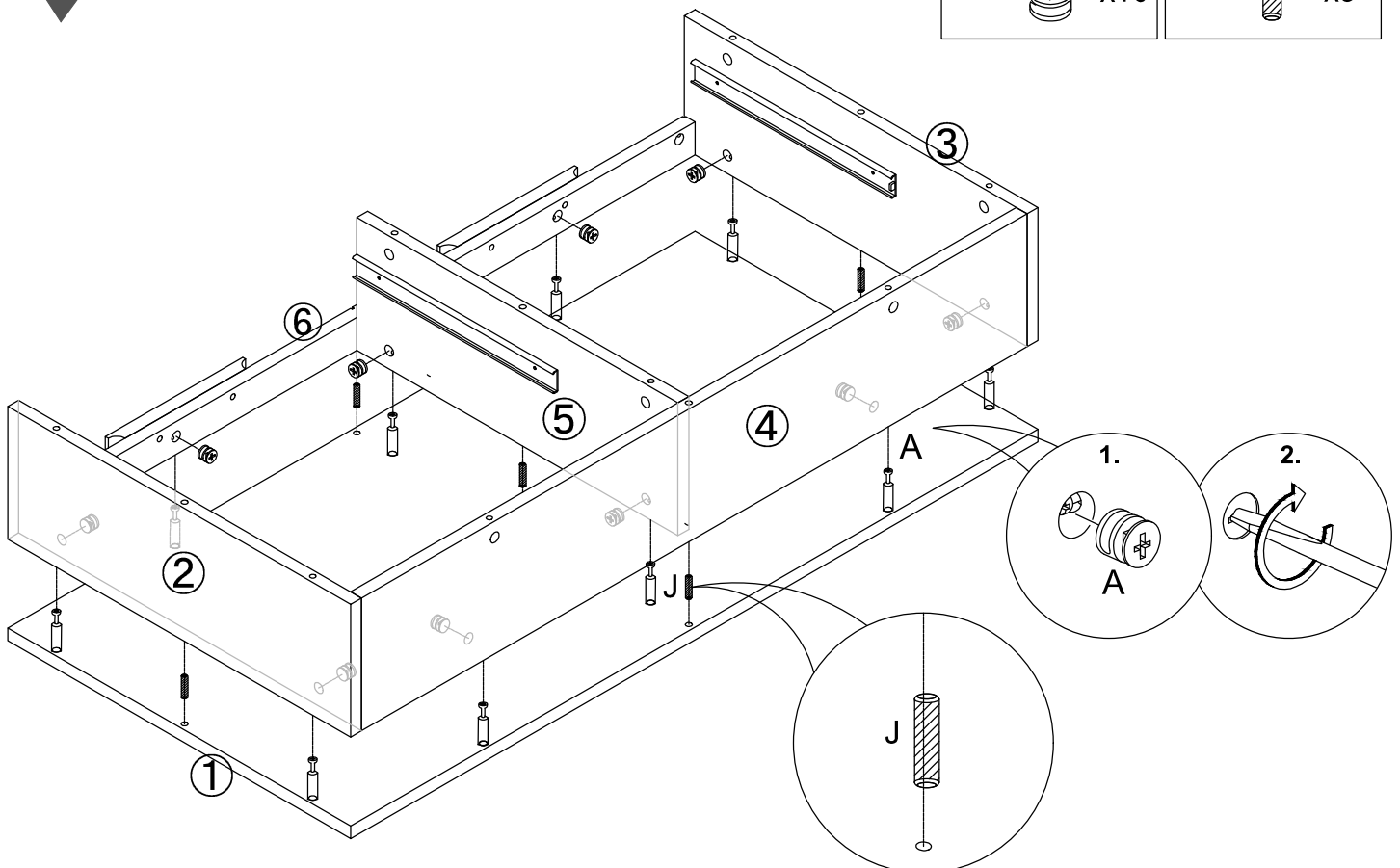
2

| | | | |
|-------------------------------------------------------------------------------------|-----|-------------------------------------------------------------------------------------|----|
| A | D15 | J | |
|  | X6 |  | X2 |





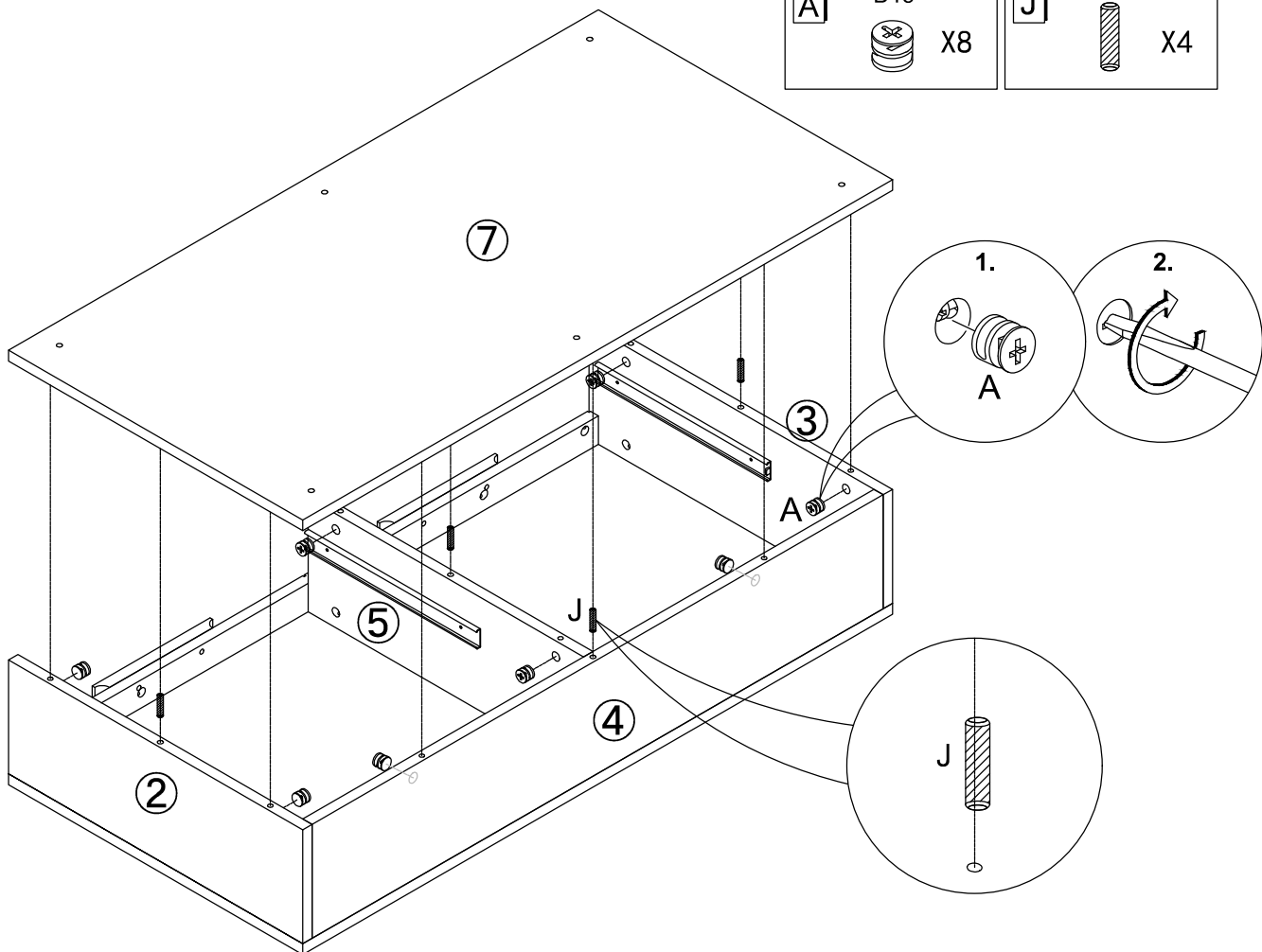
3

| | | | |
|---------------------------------------------------------------------------------------|-----|---------------------------------------------------------------------------------------|----|
| A | D15 | J | |
|  | X10 |  | X5 |






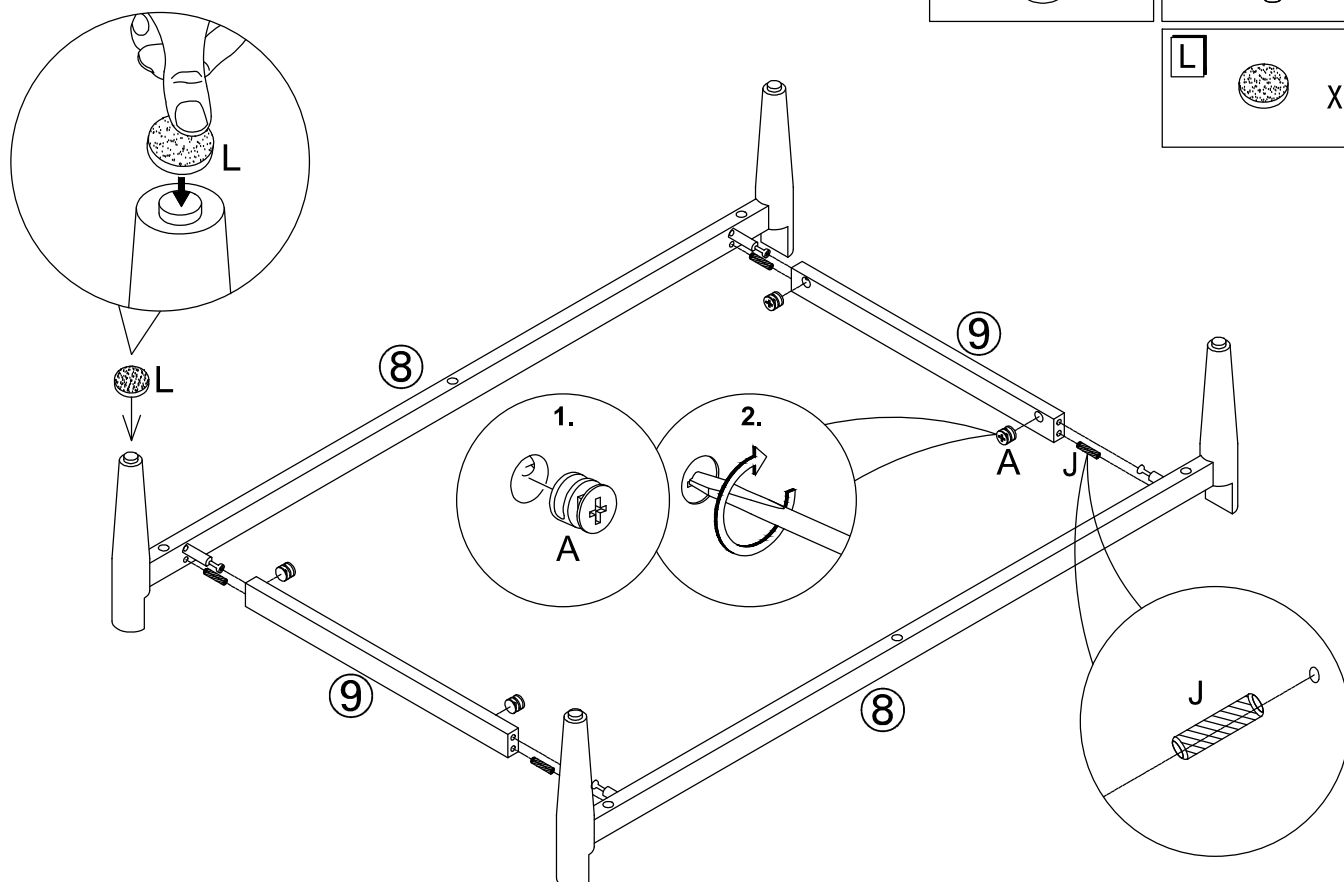
4

| | | | |
|-------------------------------------------------------------------------------------|-----|-------------------------------------------------------------------------------------|----|
| A | D15 | J | |
|  | X8 |  | X4 |

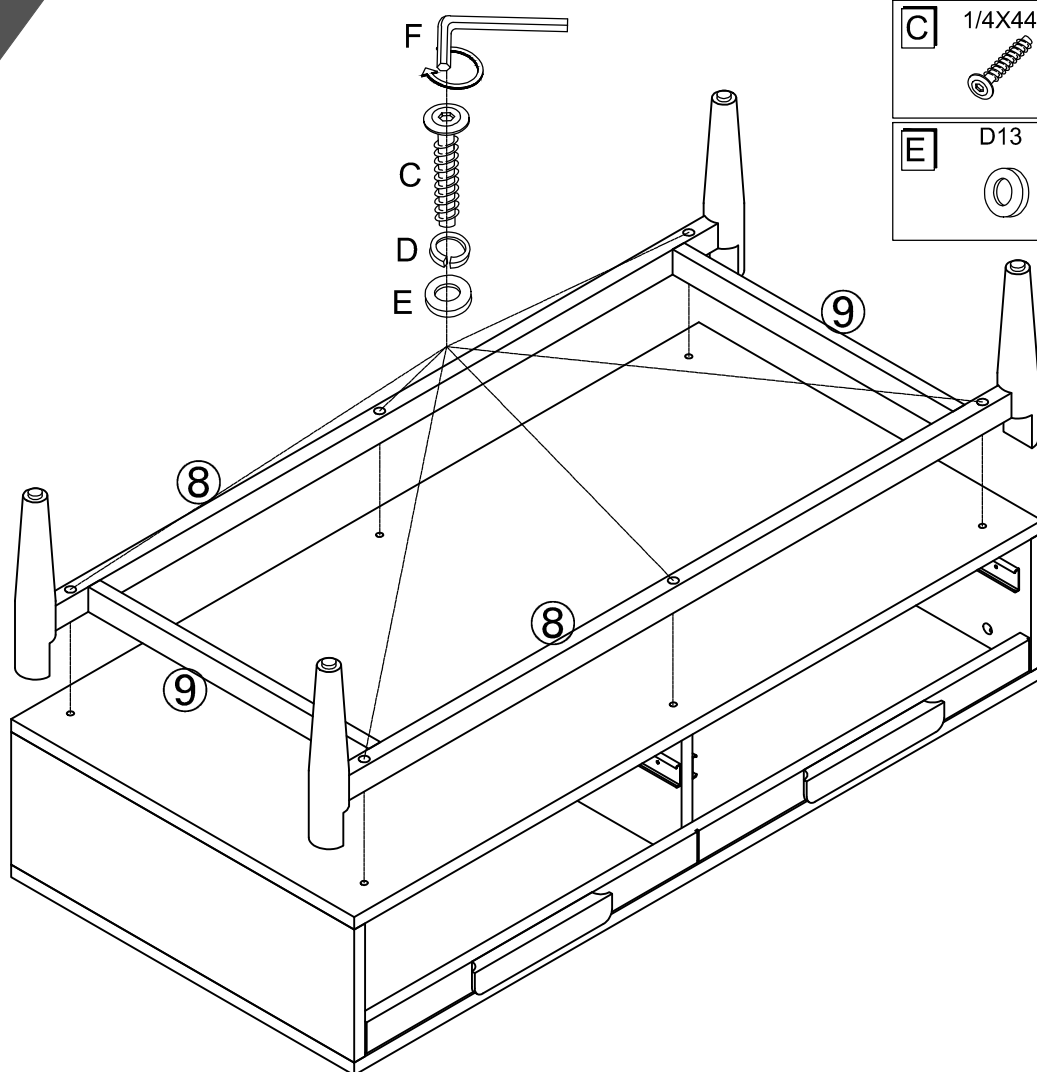


5

| | | | |
|---------------------------------------------------------------------------------------|---------------------------------------------------------------------------------------|---------------------------------------------------------------------------------------|----|
| A | D15 | J | |
|  | X4 |  | X4 |
| L |  | X4 | |

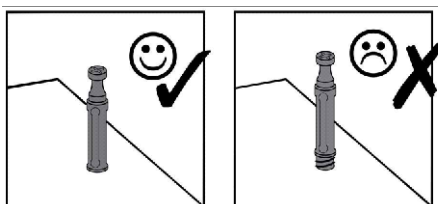


6



| | | | |
|----------|----------------|----------|----|
| C | 1/4X44MM X6 | D | X6 |
| E | D13 X6 | F | X1 |

7



| | | | |
|----------|---------------|----------|---------------|
| G | D12 X8 | H | X8 |
| I | M4X25MM X8 | K | M4X22MM X4 |

