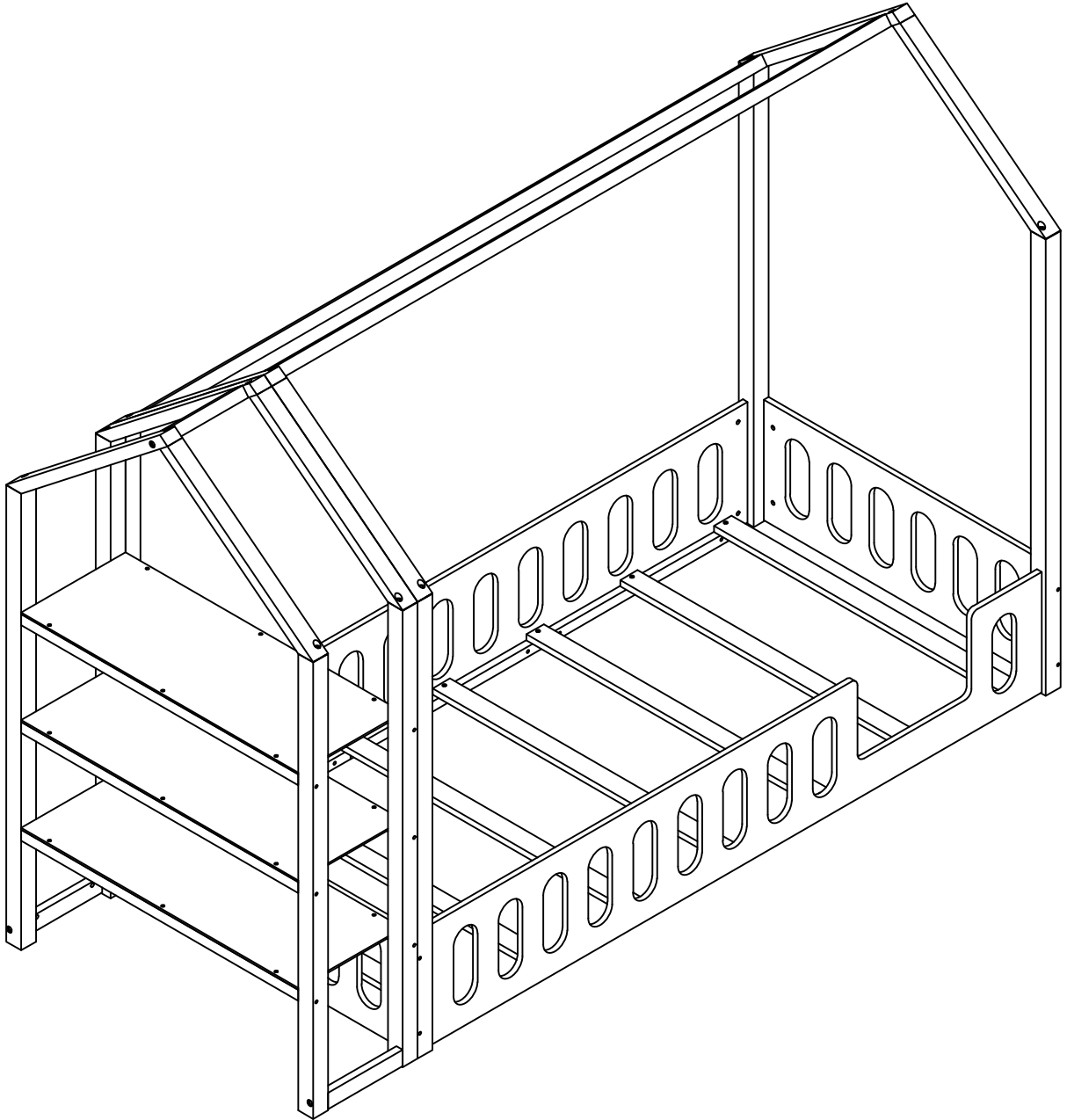


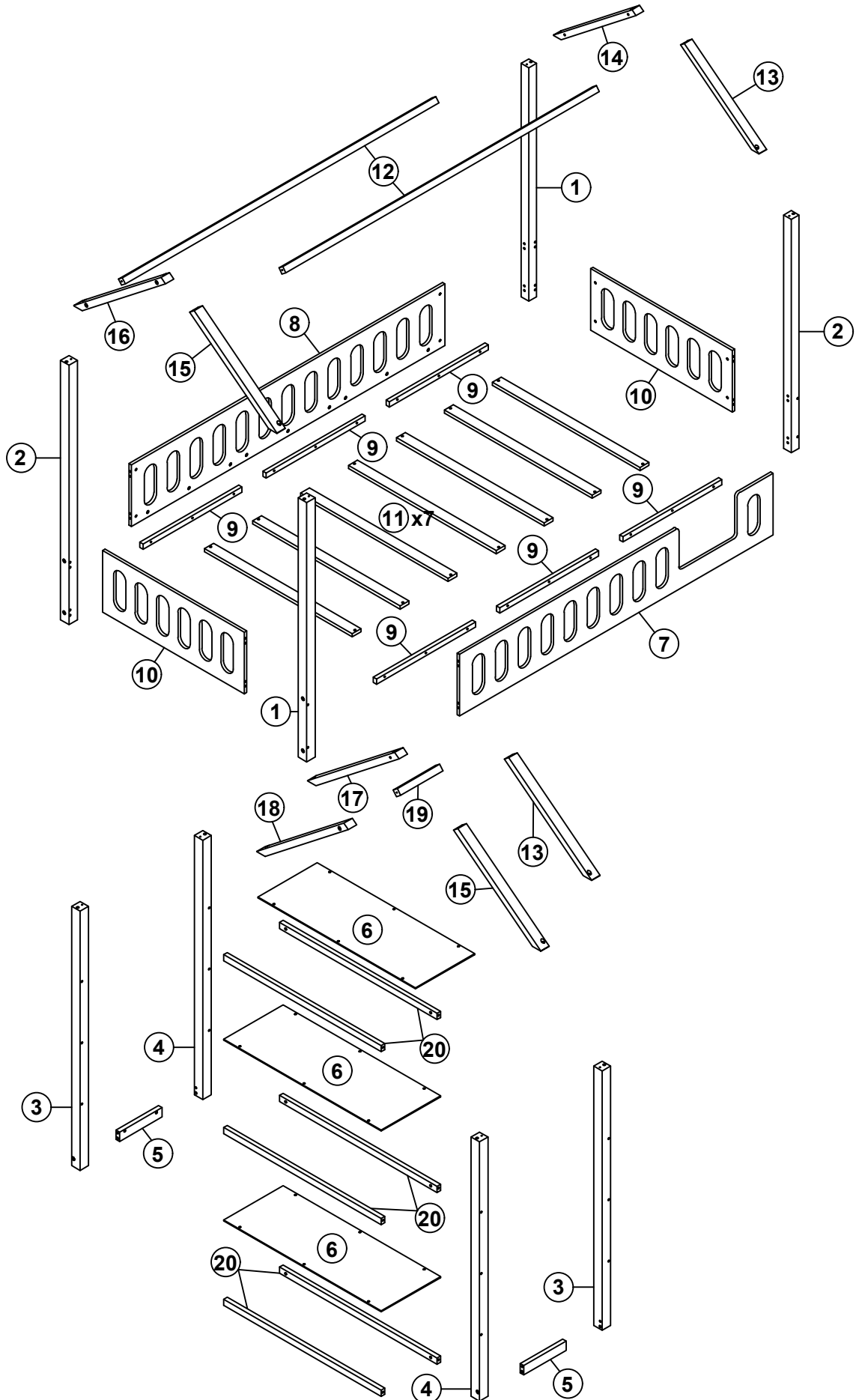
ASSEMBLY INSTRUCTIONS

TWIN BED WITH BOOK-SHELF



WF312668/WF312669

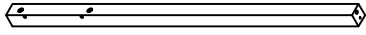
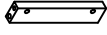
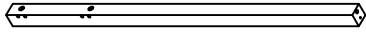
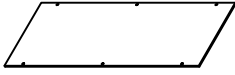
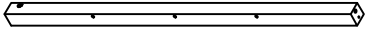

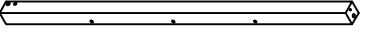
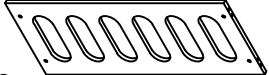
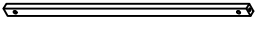
ASSEMBLY INSTRUCTIONS





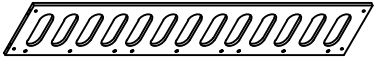
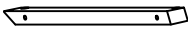
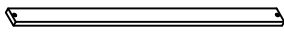
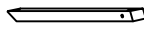


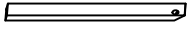
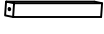
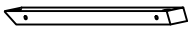
ASSEMBLY INSTRUCTIONS

PARTS LIST

WF312668 (hardware in this SKU)

1	Legs 	2pcs	5	Shefl panels support 	2pcs
2	Legs 	2pcs	6	Shefl panels 	3pcs
3	Legs 	2pcs	9	Support side rails 	6pcs
4	Legs 	2pcs	10	Headboard frame 	2pcs
			20	Shefl panels support 	6pcs










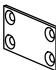
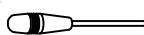
WF312669

7	Side rails panels 	1pc	15	Roof top 	2pcs
8	Side rails panels 	1pc	16	Roof top 	1pc
11	Slats 	7pcs	17	Roof top 	1pc
12	Roof top support 	2pcs	18	Roof top 	1pc
13	Roof top 	2pcs	19	Roof top support 	1pc
14	Roof top 	1pc			

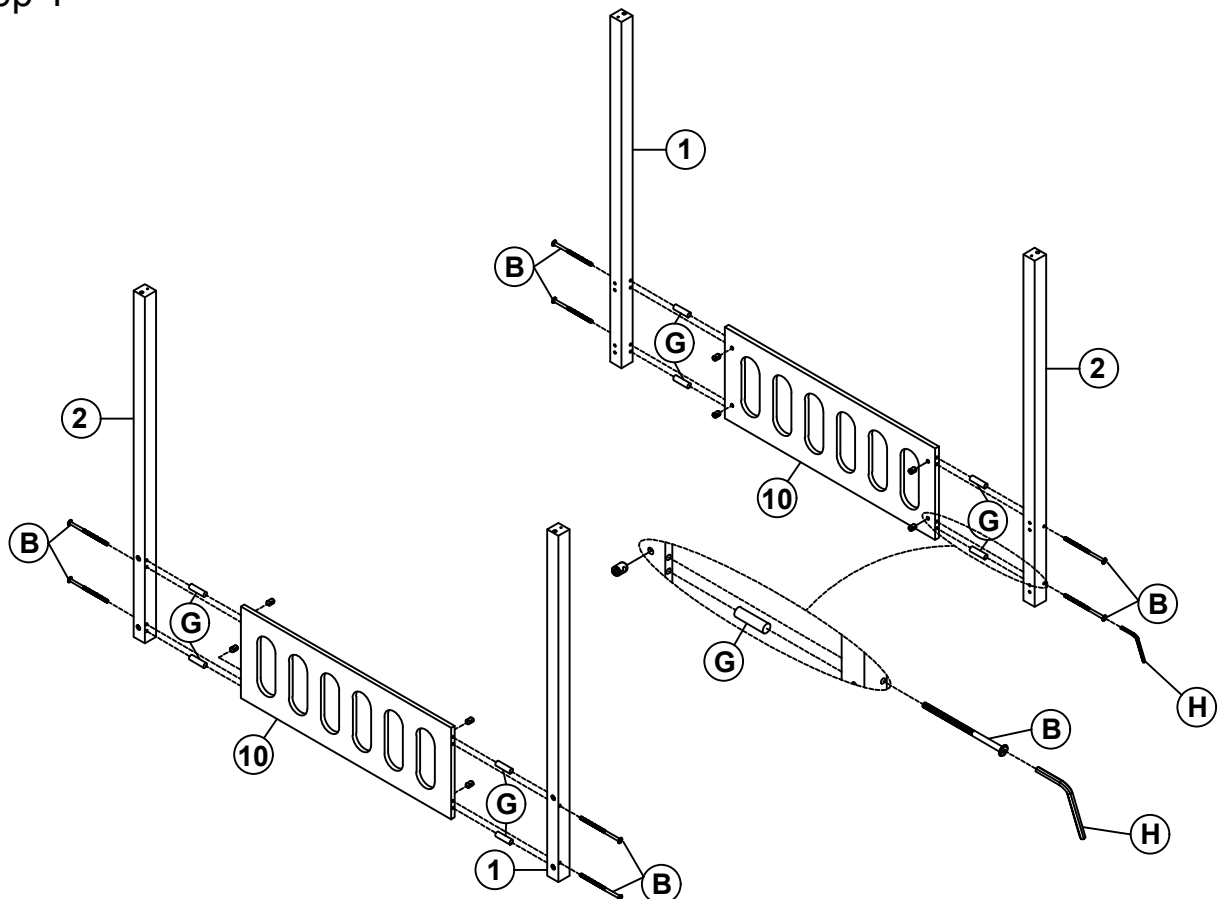
ASSEMBLY INSTRUCTIONS

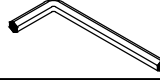


PARTS LIST

HARDWARE LIST (WF312668)

A	Ø4x30		14PCS	F	Ø10x40		16PCS
B	1/4x90		32PCS	G	Ø8x30		16PCS
C	6.5x90		6PCS	H	4x58		1PC
D	6.5x60		12PCS	I	3.5x15		34PC
E	1/4x30		18PCS	J	50x28x2		4PCS
					Phillip head screw Not include		

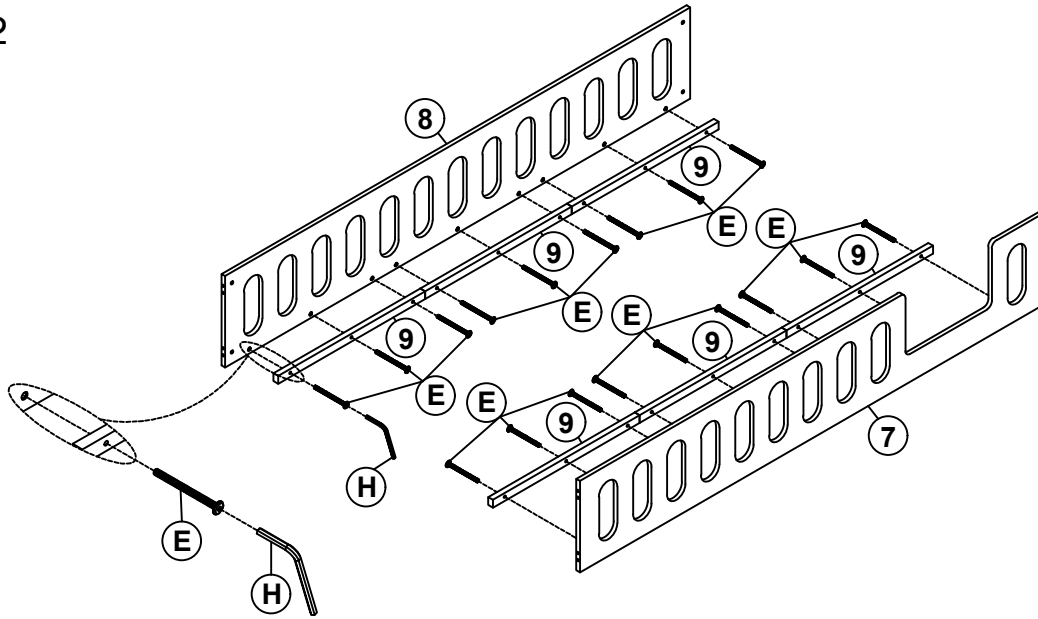
Step 1



				H	4x58		1PC
B	1/4x90		8PCS	G	Ø8x30		8PCS

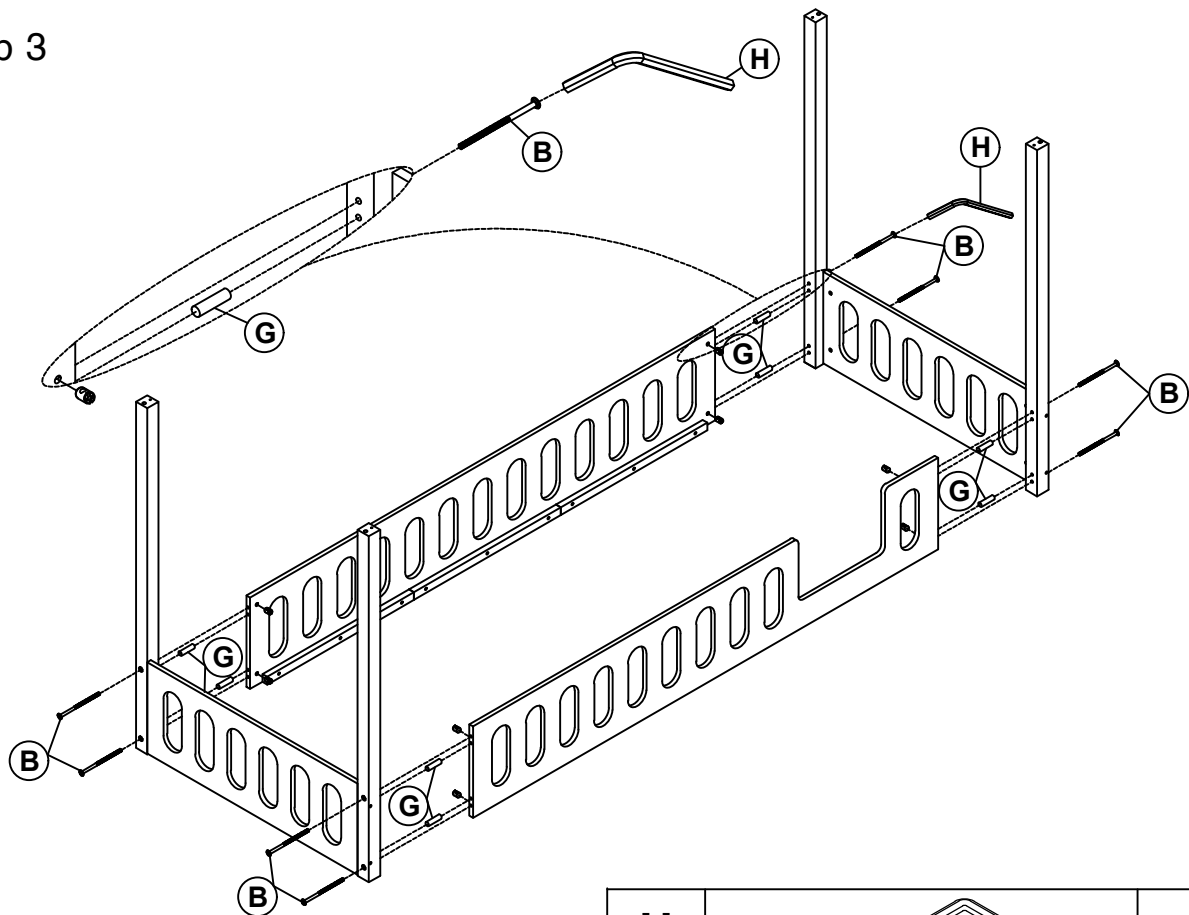
ASSEMBLY INSTRUCTIONS

Step 2



H	4x58		1PC	E	1/4x30		18PCS
----------	------	--	-----	----------	--------	--	-------

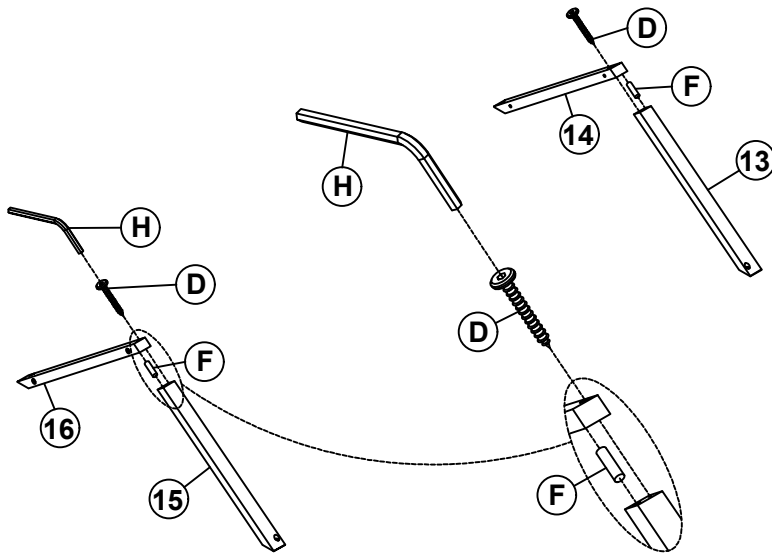
Step 3






H	4x58		1PC	B	1/4x90		8PCS	G	Ø8x30		8PCS
----------	------	--	-----	----------	--------	--	------	----------	-------	--	------

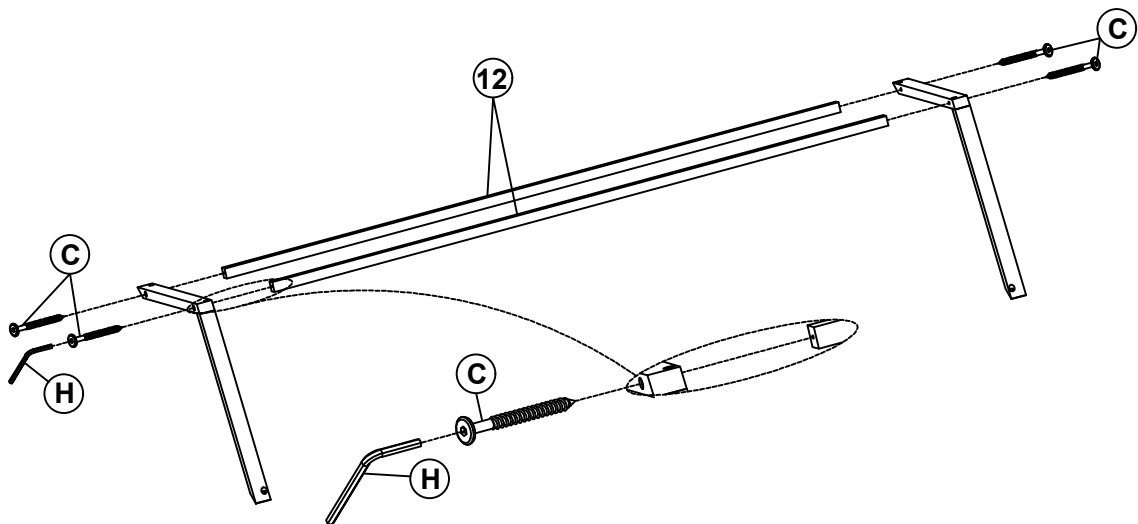
ASSEMBLY INSTRUCTIONS



Step 4



H	4x58		1PC
F	Ø10x40		2PCS
D	6.5x60		2PCS

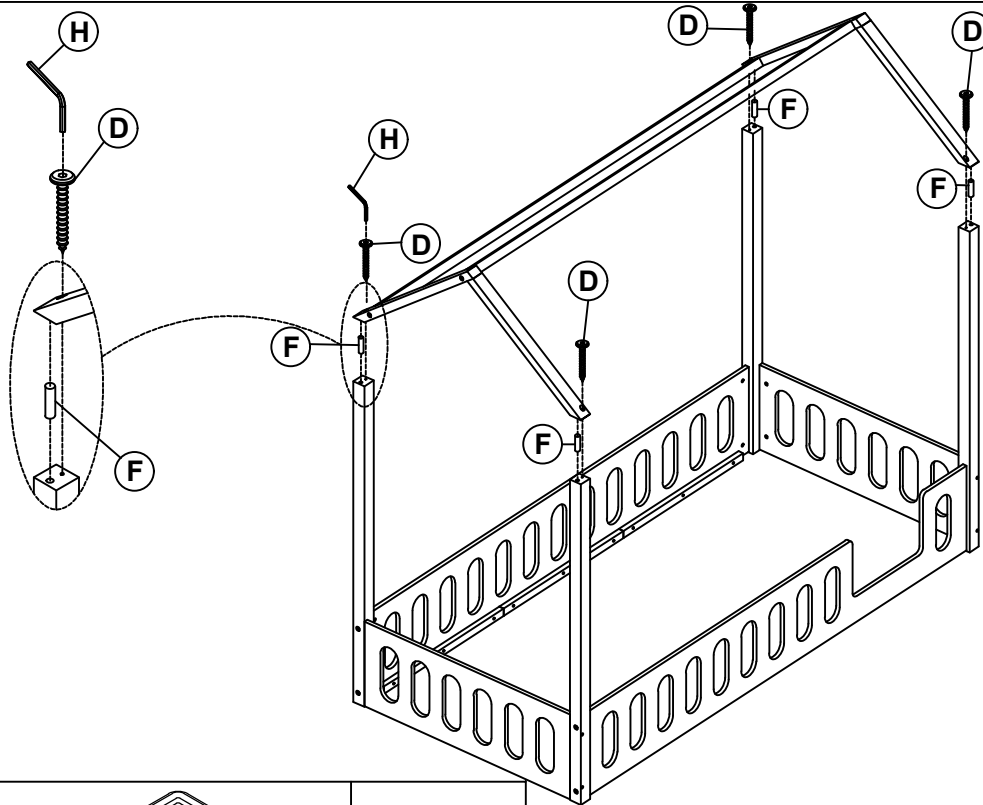
Step 5



C	6.5x90		4PCS	H	4x58		1PC
----------	--------	---	------	----------	------	---	-----

ASSEMBLY INSTRUCTIONS

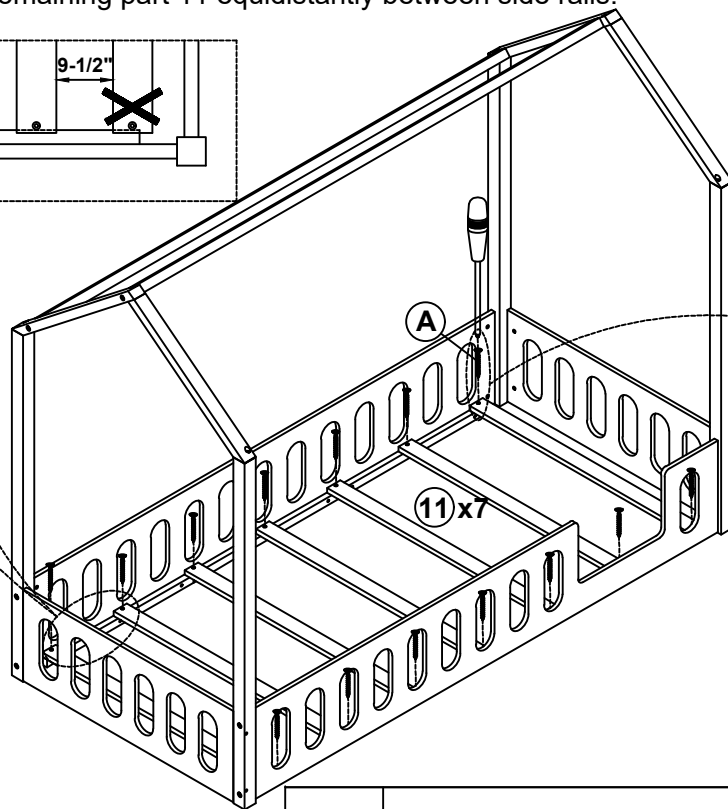
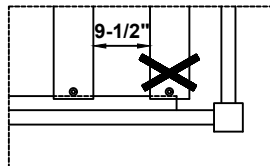
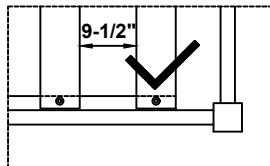
Step 6



H	4x58		1PC			
F	Ø10x40		4PCS	D	6.5x60	4PCS

First attach 2pcs part 11 to the front and end of the frame, between side rails. Then attach the remaining part 11 equidistantly between side rails.

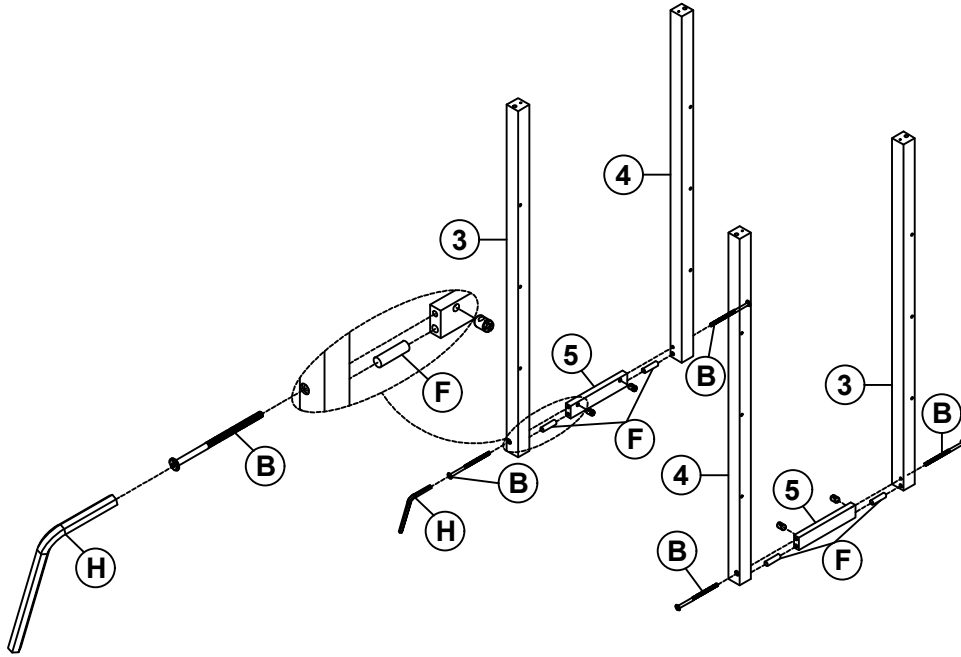
Step 7






A	Ø4x30		14PCS
----------	-------	--	-------

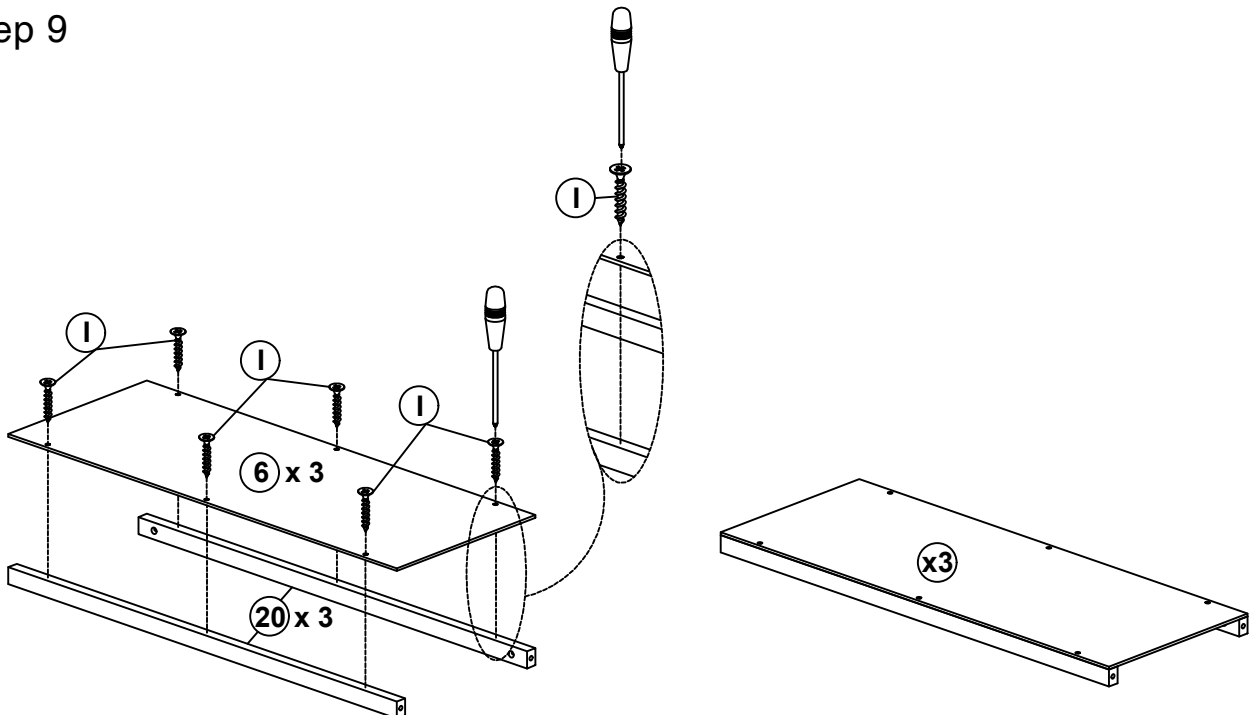
ASSEMBLY INSTRUCTIONS


Step 8



H	4x58		1PC
B	1/4x90		4PCS
F	Ø10x40		4PCS

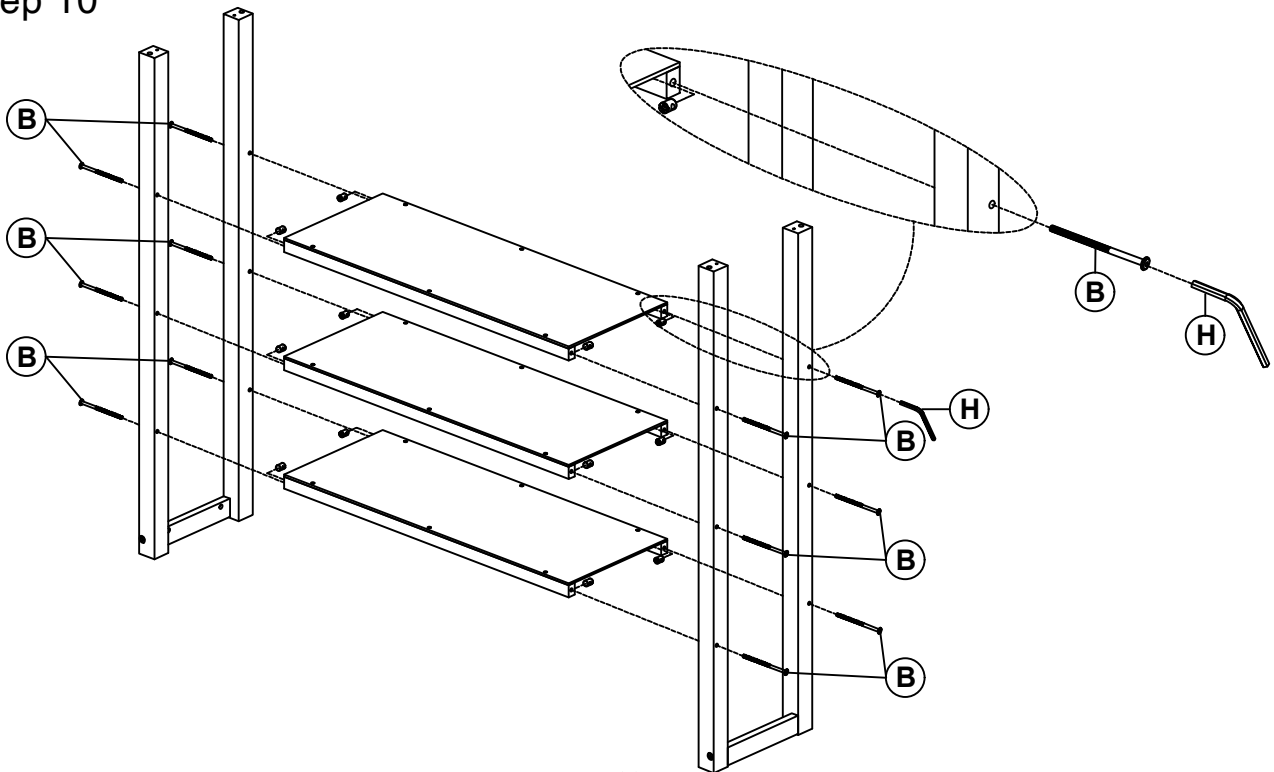
Step 9





I	3.5x15		18PCS
----------	--------	---	-------

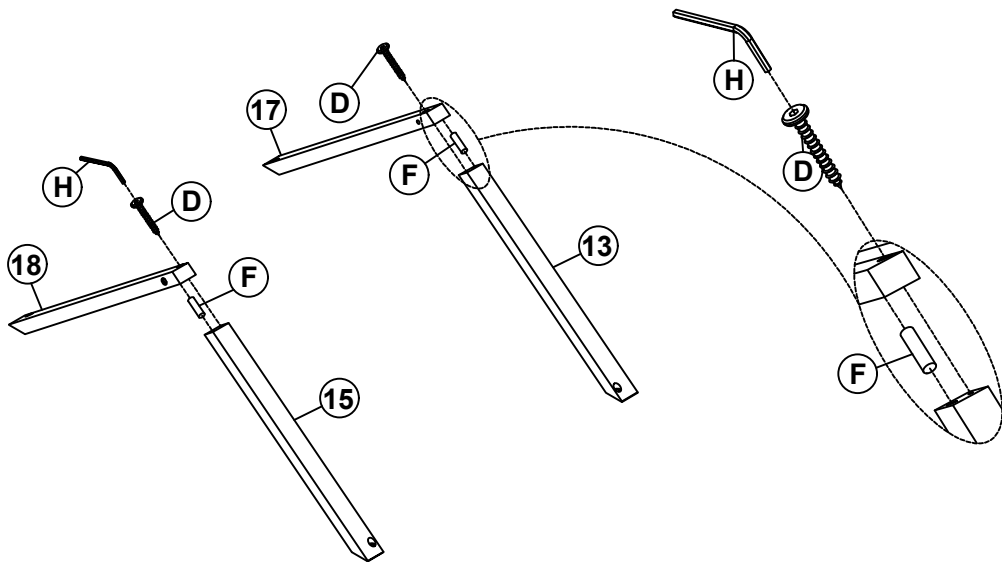
ASSEMBLY INSTRUCTIONS




Step 10



B	1/4x90		12PCS	H	4x58		1PC
----------	--------	---	-------	----------	------	---	-----

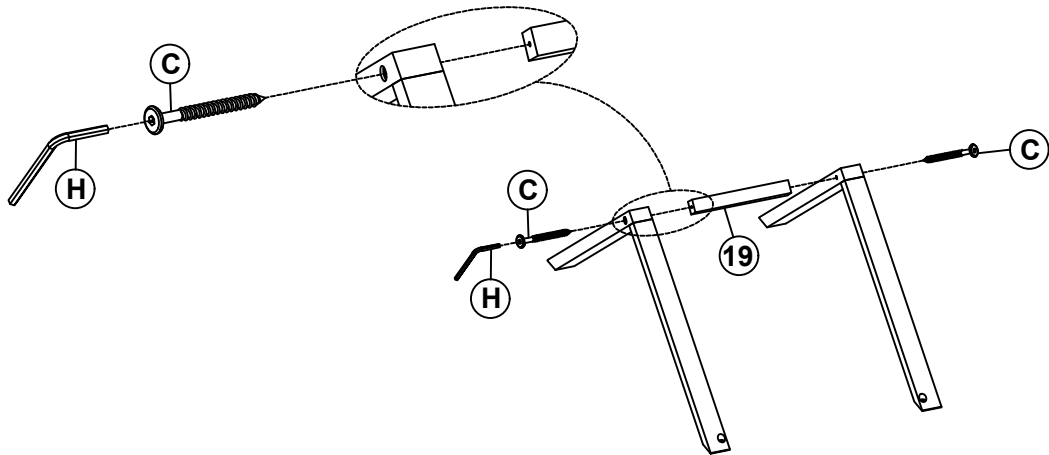
Step 11

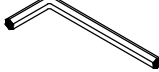



				H	4x58		1PC
F	Ø10x40		2PCS	D	6.5x60		2PCS

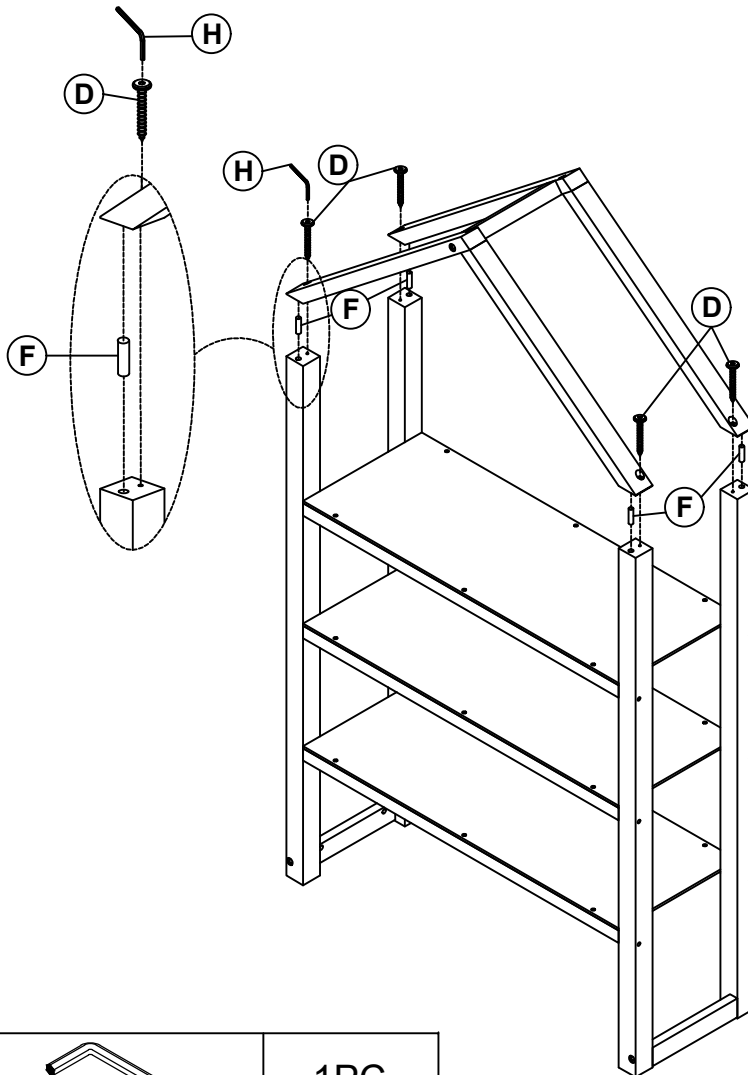
ASSEMBLY INSTRUCTIONS




Step 12



H	4x58		1PC	C	6.5x90		2PCS
----------	------	---	-----	----------	--------	---	------

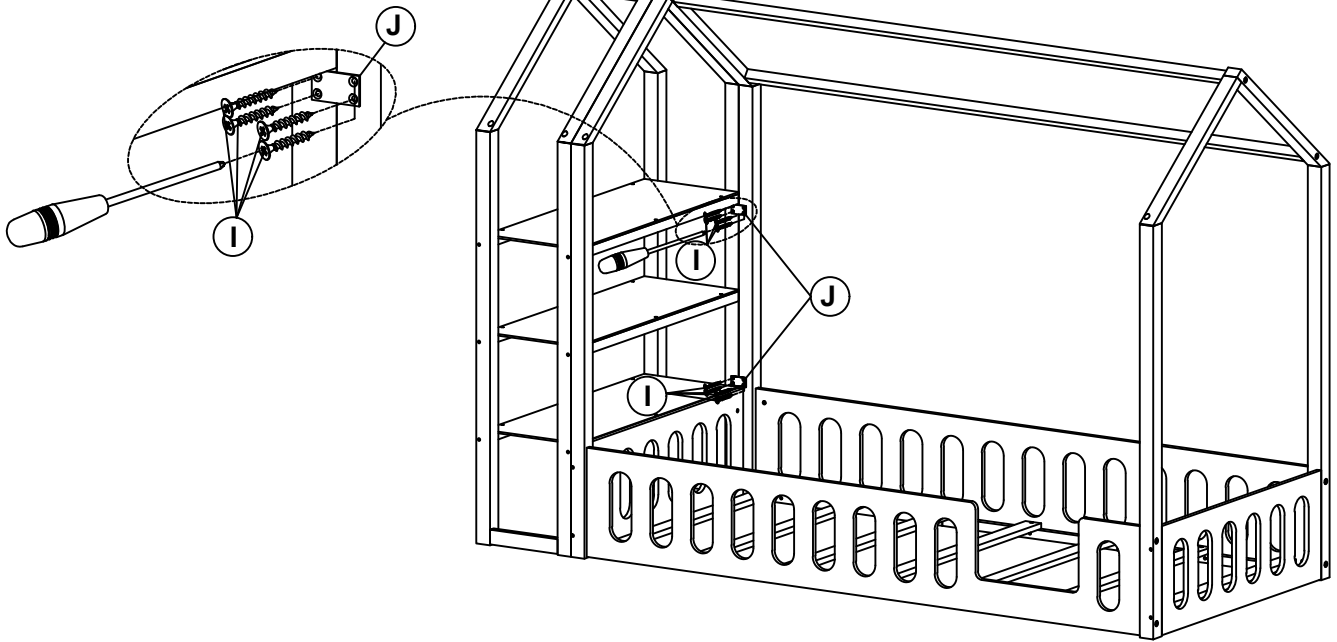
Step 13

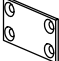



H	4x58		1PC	D	6.5x60		4PCS	F	Ø10x40		4PCS
----------	------	---	-----	----------	--------	---	------	----------	--------	---	------

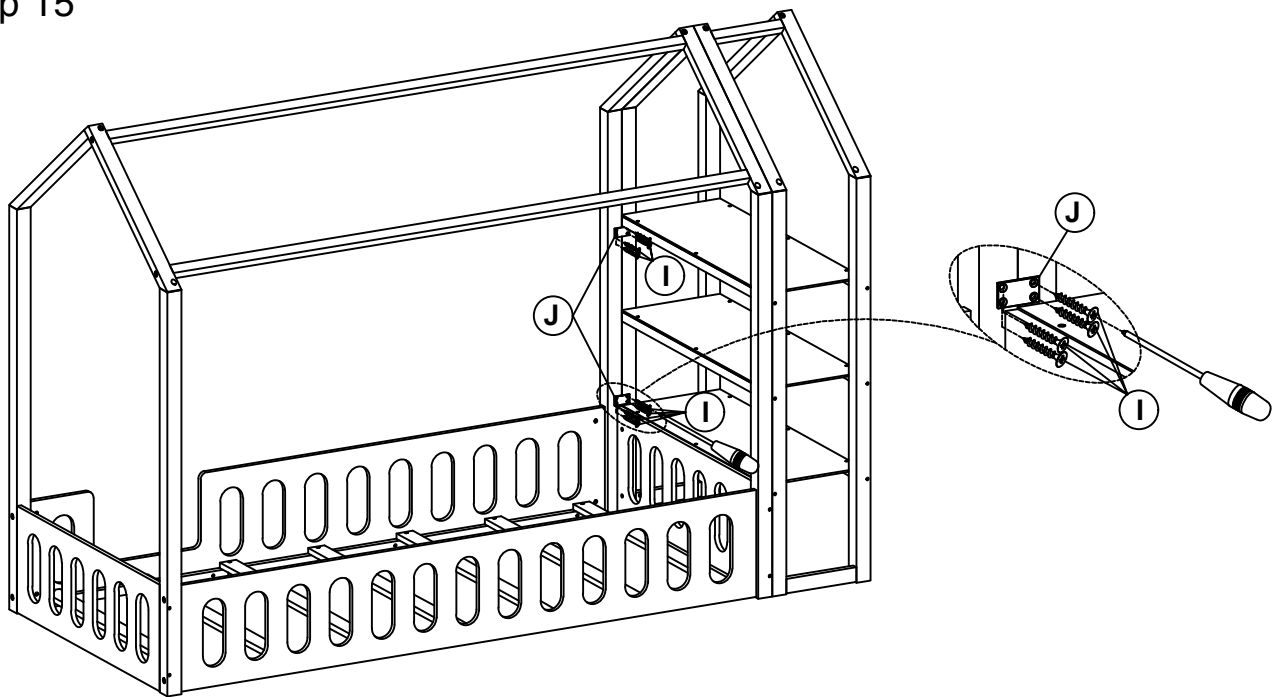
ASSEMBLY INSTRUCTIONS

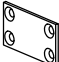

Step 14



J	50x28x2		2PCS	I	3.5x15		8PCS
----------	---------	---	------	----------	--------	---	------

Step 15



J	50x28x2		2PCS	I	3.5x15		8PCS
----------	---------	---	------	----------	--------	---	------