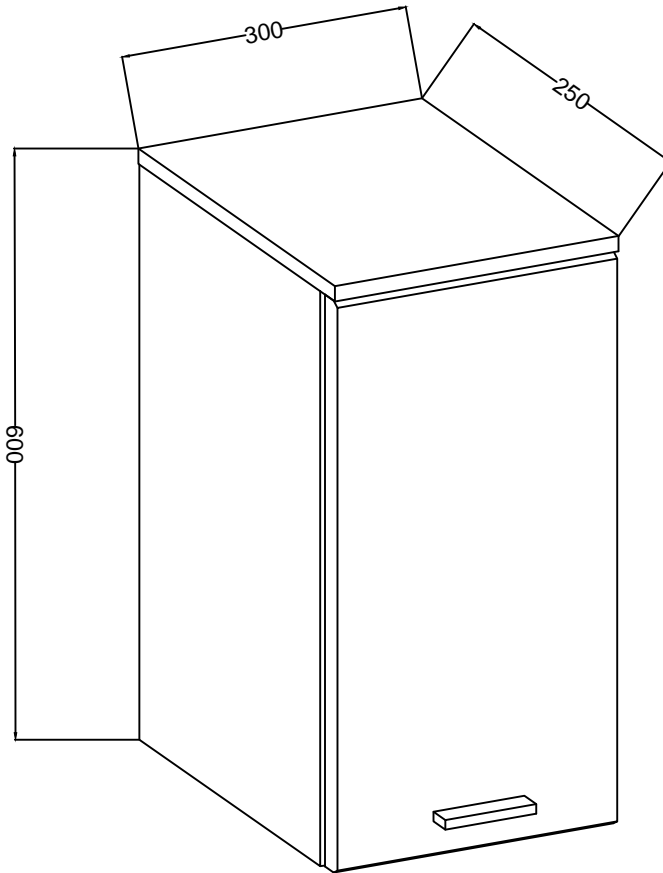
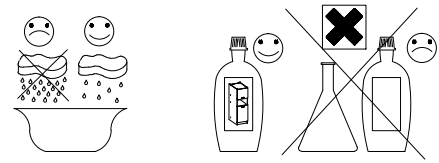



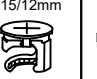
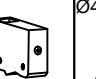

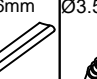


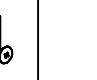
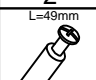
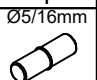
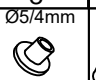

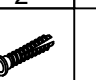


71-509-V2



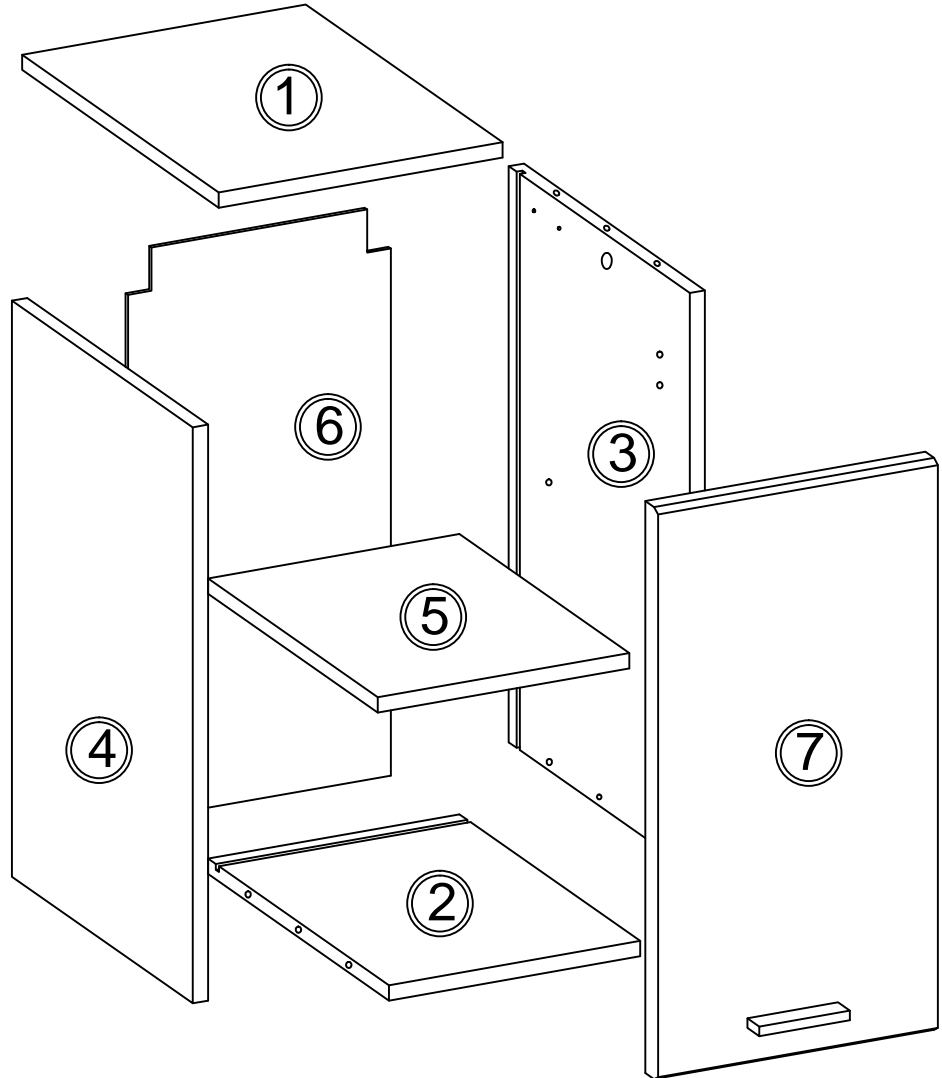
 HG 2	 P 4	 A 8	 C 4	 K 2	 P8 4	 S 1	 R1 2	 E 4	 L 4
 D2 4	 J3 4	 J7 4	 O6 2	 O5 2					



5








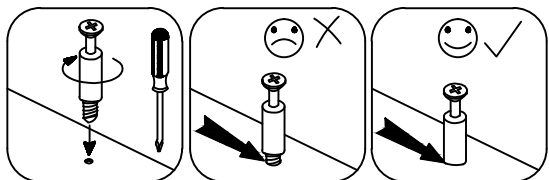
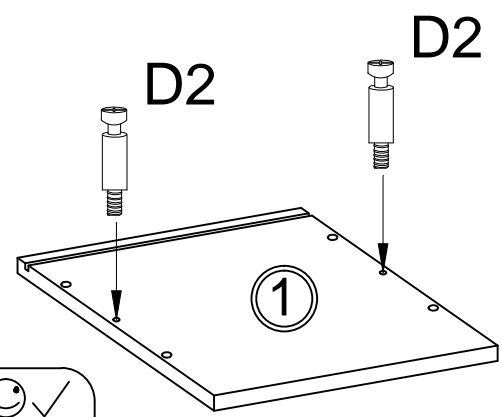
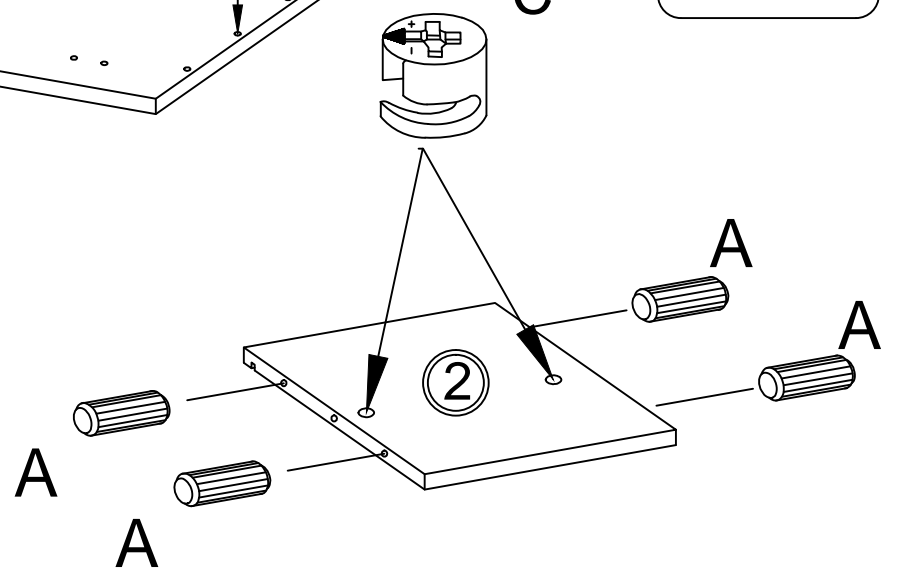
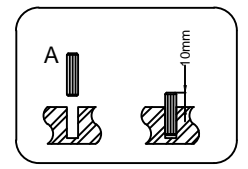
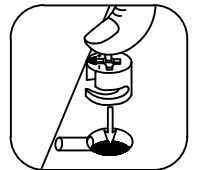
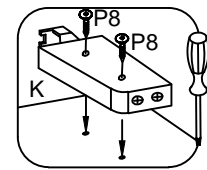
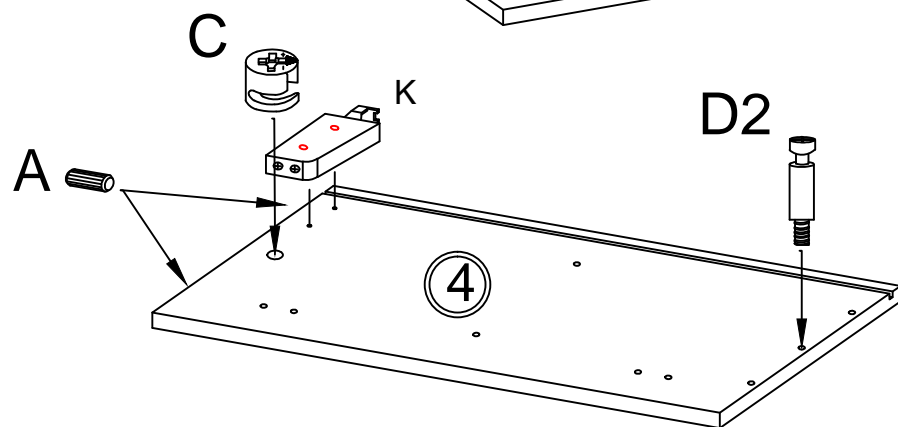
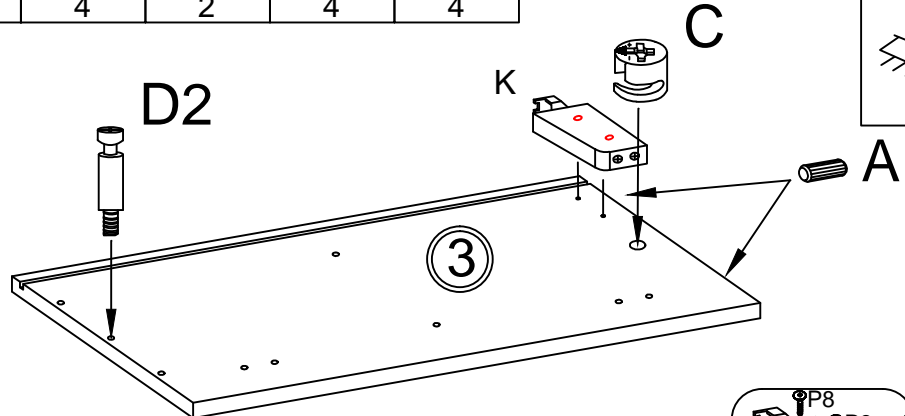
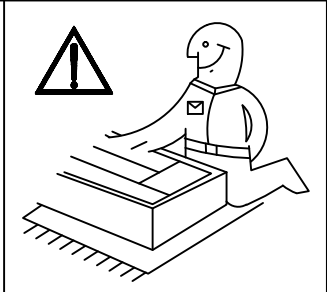
2



PACK 1 / 1		
No.	Dimmension	Qty.
1	300x250x16	1
2	266x230x16	1
3	600x230x16	1
4	600x230x16	1
5	266x215x16	1
6	594x276x3	1
7	596x296x16	1

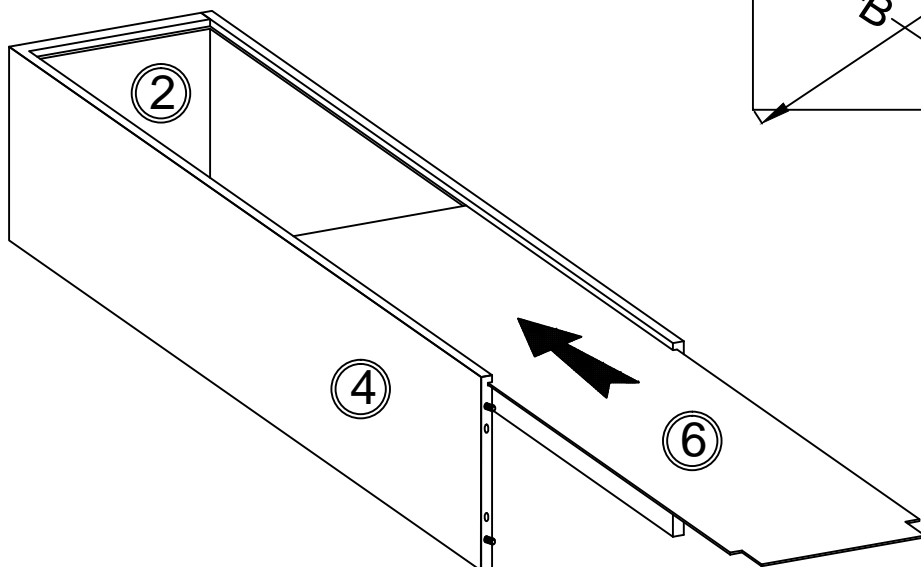
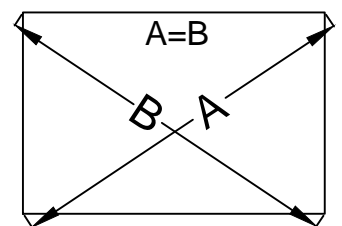
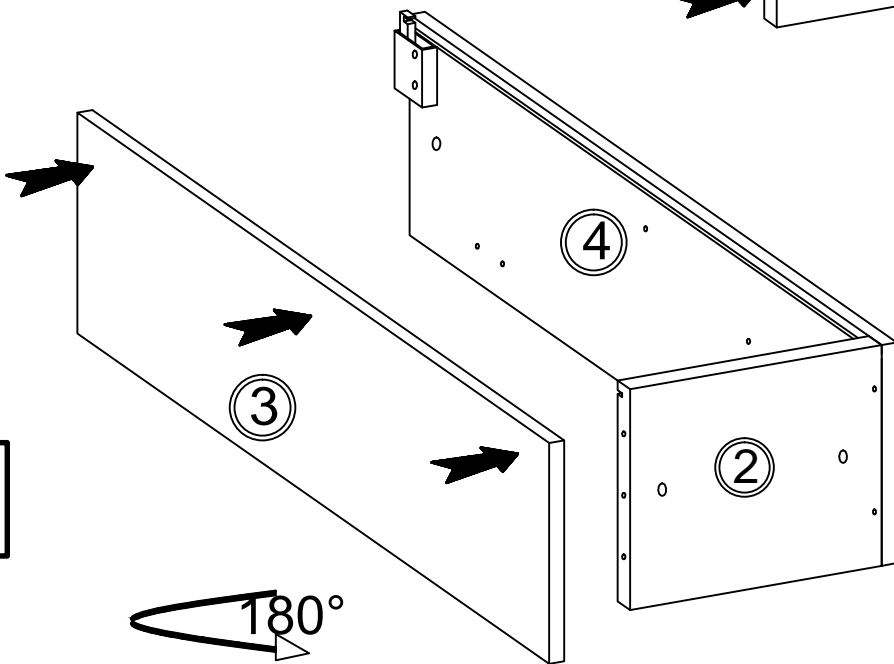
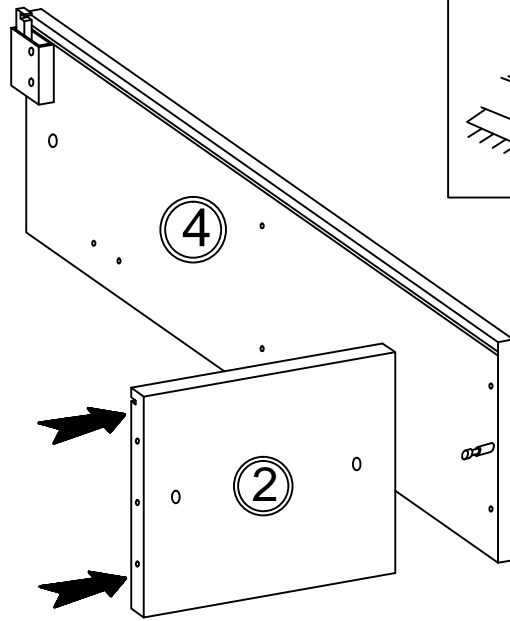
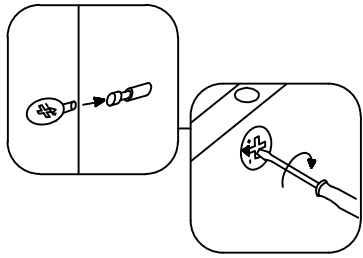
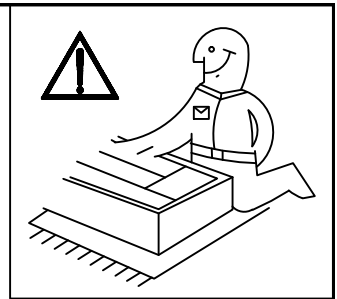
1

$\varnothing 8 \times 30 \text{mm}$  A 8	$\varnothing 15 / 12 \text{mm}$  C 4	 K 2	$\varnothing 4.0 \times 30 \text{mm}$  P8 4	L=49mm  D2 4
--	--	---	---	--



3

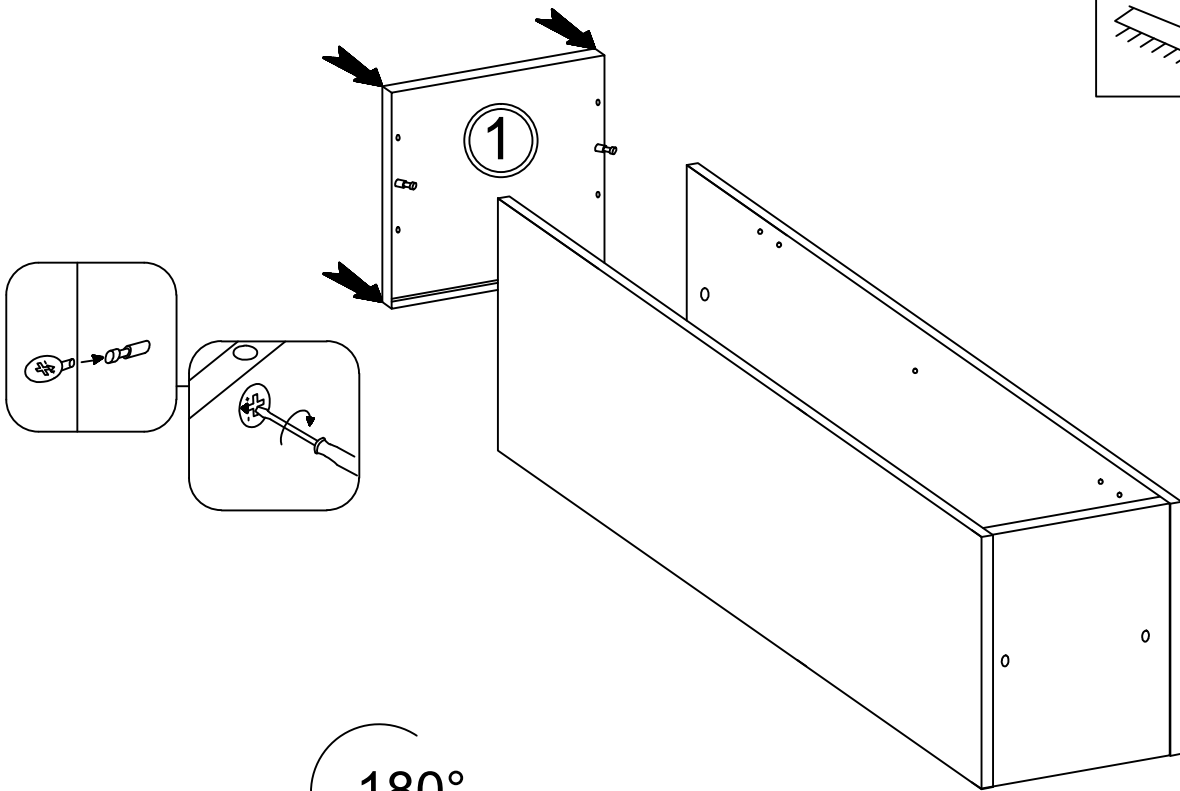
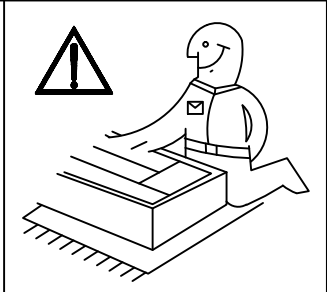
2



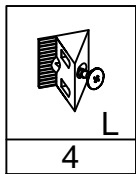
3

4

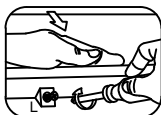
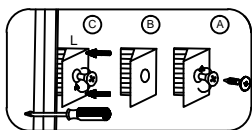
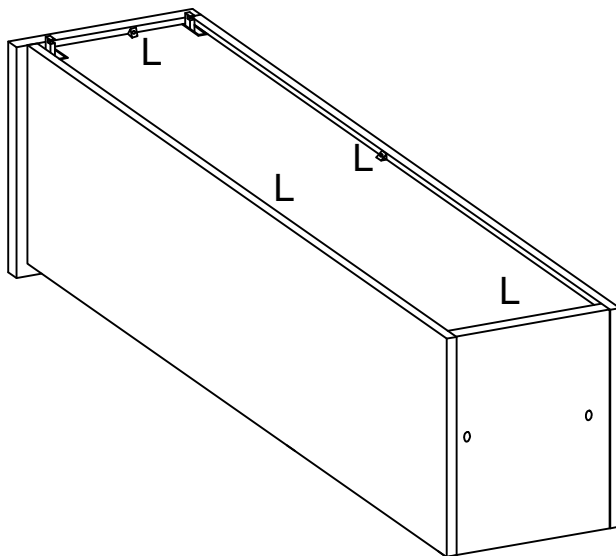
4





5

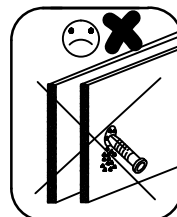
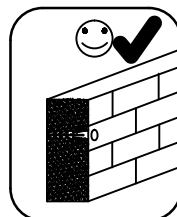
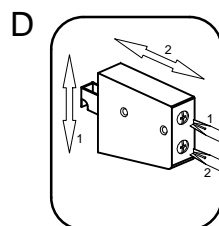
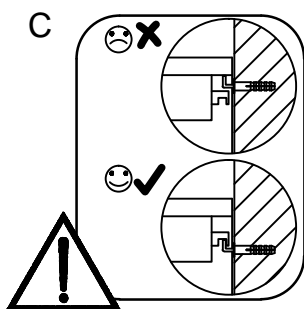
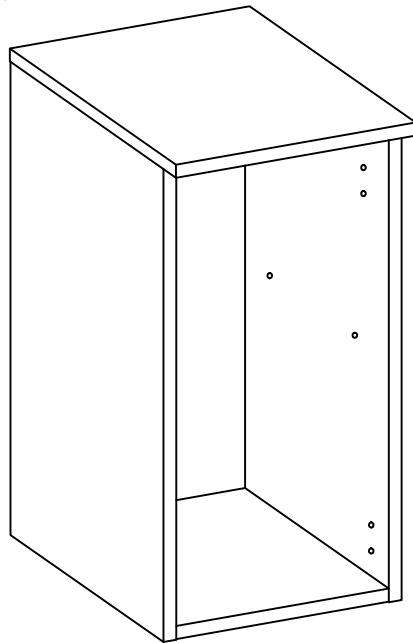
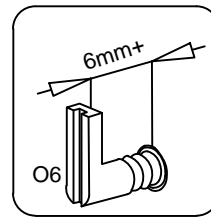
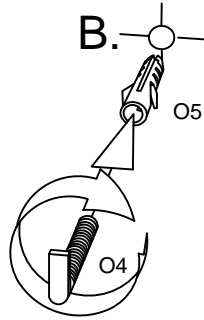
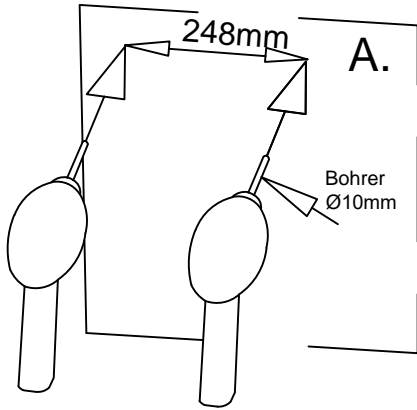
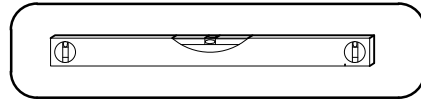


180°

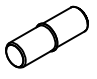



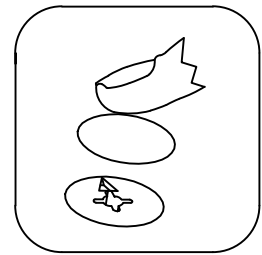
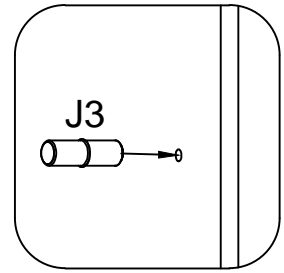
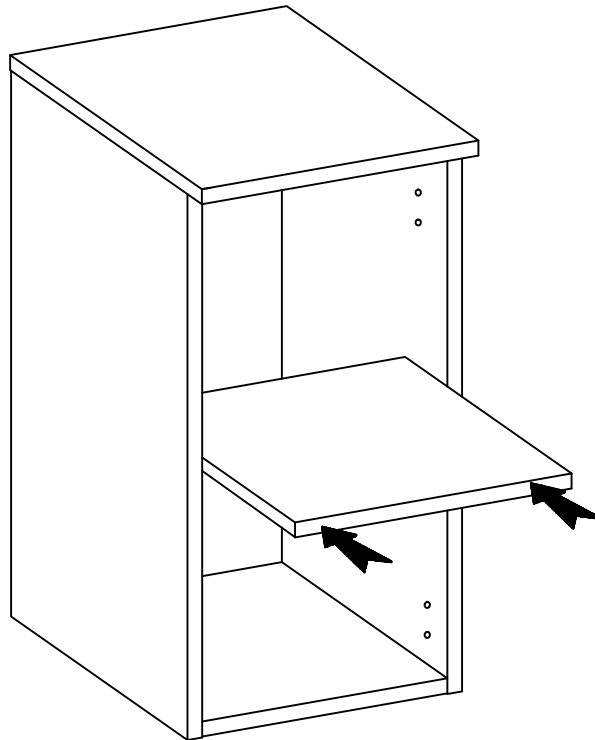
5

	
O6	O5
2	2





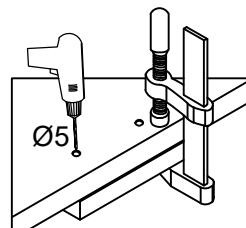
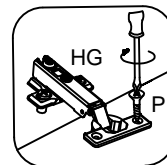
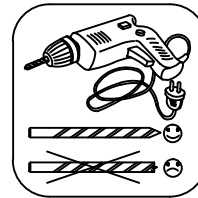
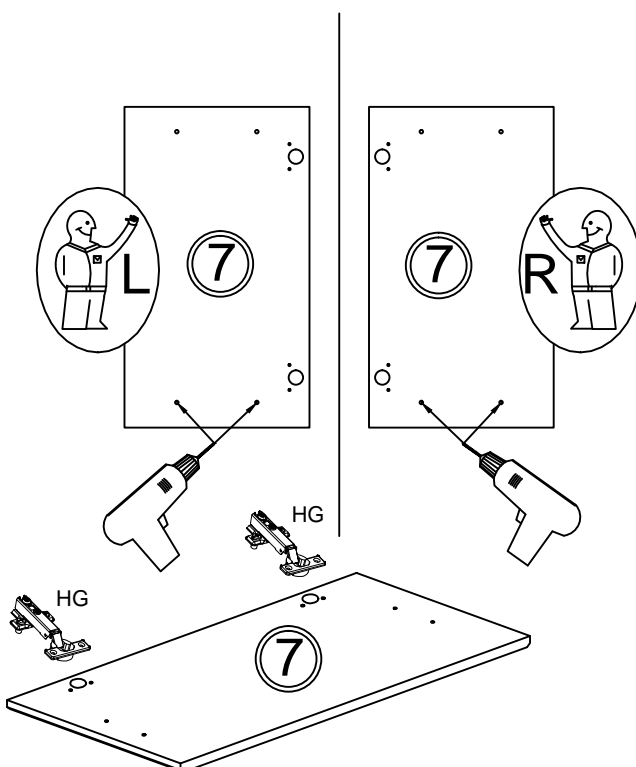
7

$\varnothing 5/16\text{mm}$ 	
J3 4	E 4






8

$\varnothing 35/0\text{mm}$ 	$\varnothing 4.0 \times 13\text{mm}$ 
HG 2	P 4



7

L=96mm  S 1	Ø3.5x25mm  R1 2	Ø5/4mm  J7 4
---	---	--

