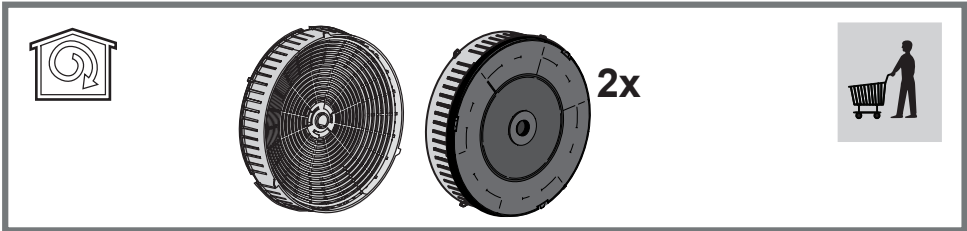
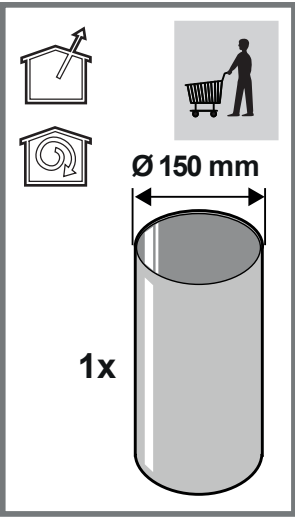
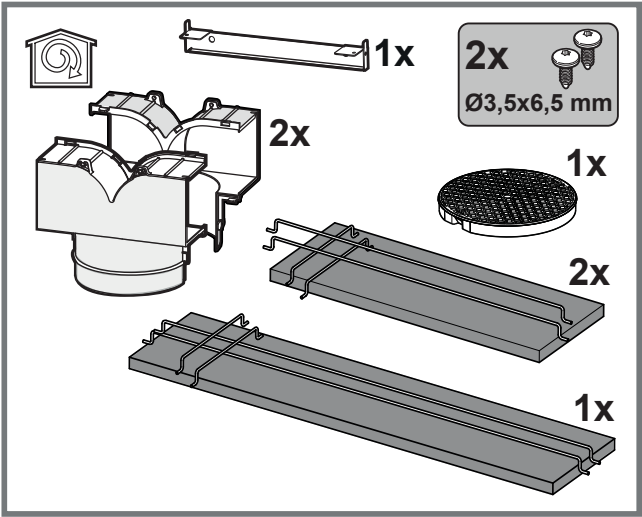
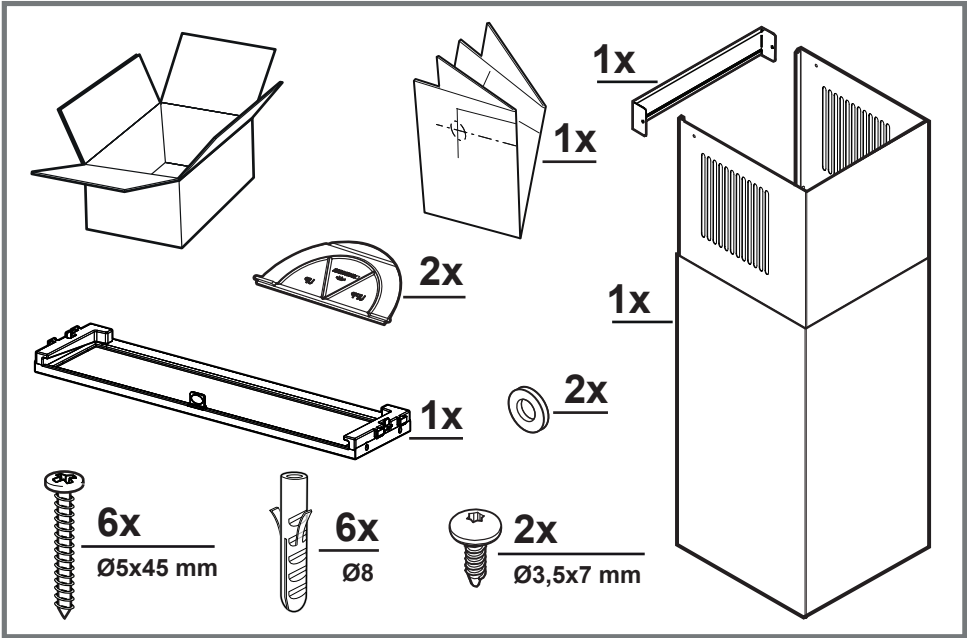
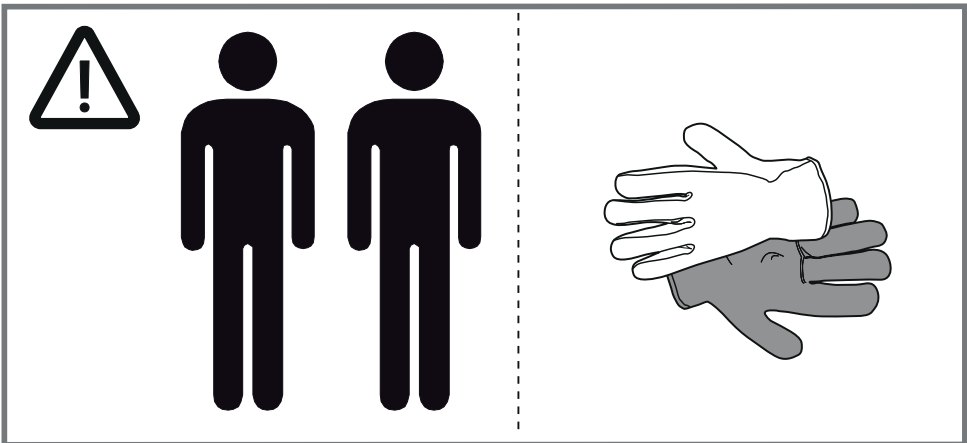
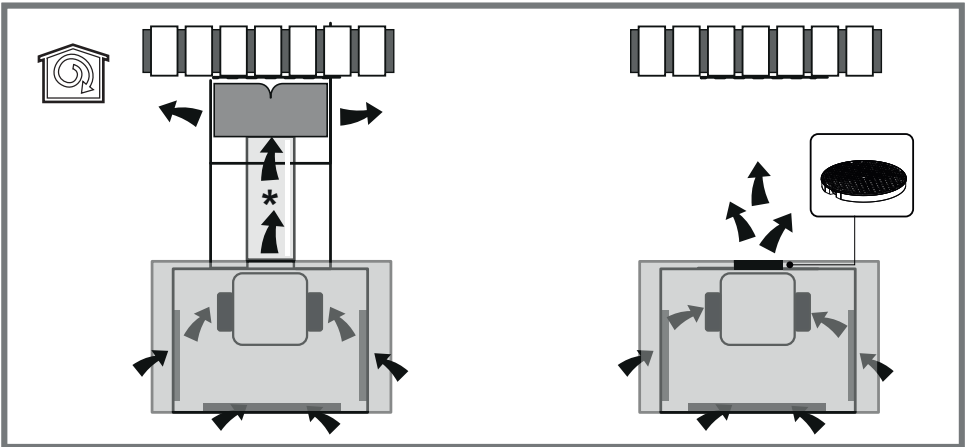
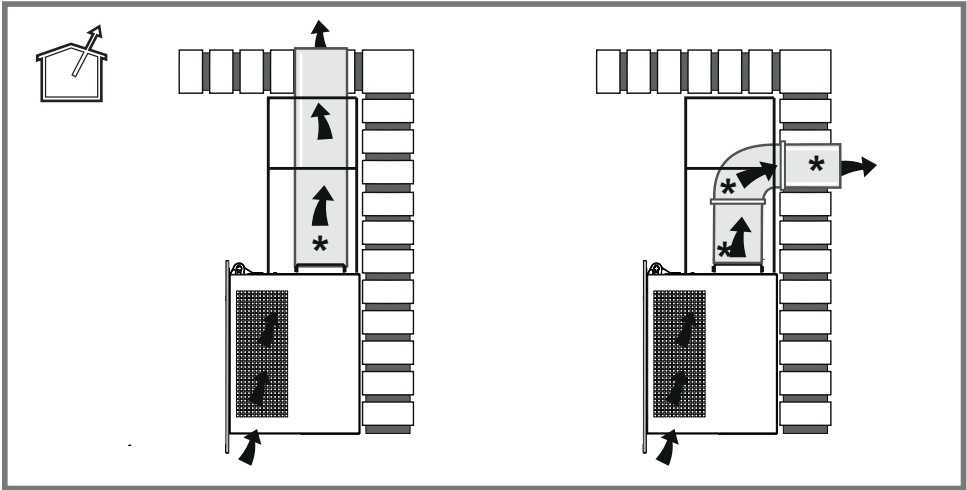


**EN Instructions for use**  
**DE Betriebsanleitung**  
**FR Mode d'emploi**  
**NL Gebruiksaanwijzingen**  
**IT Istruzioni per l'uso**  
**ES Instrucciones de uso**  
**RU Инструкция по эксплуатации**  
**CS Návod k použití**

 ***Bauknecht***

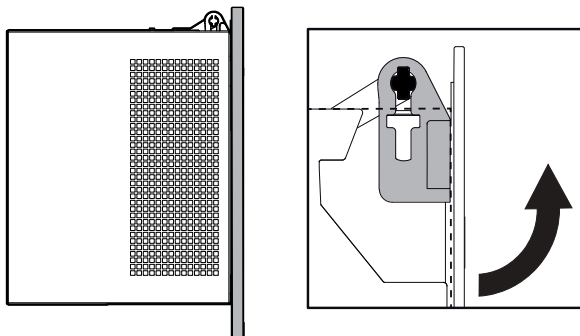




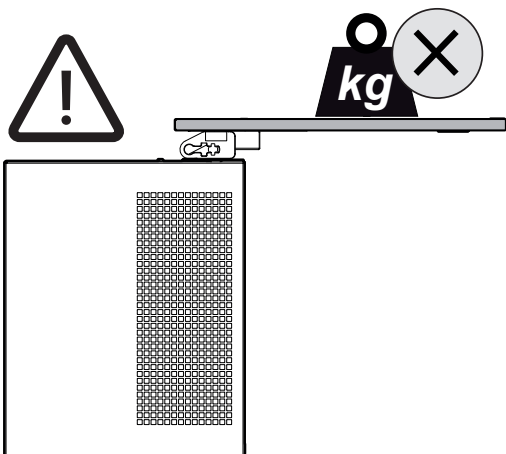
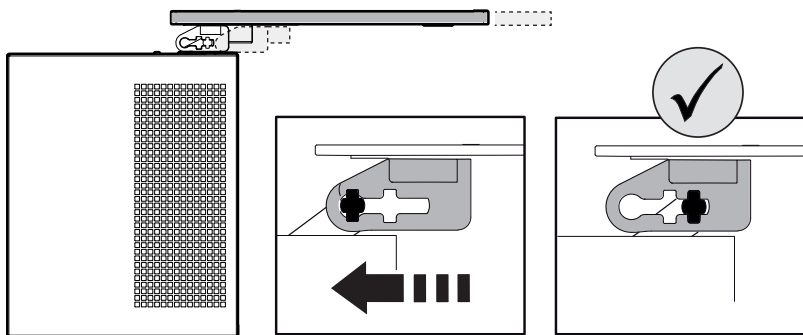


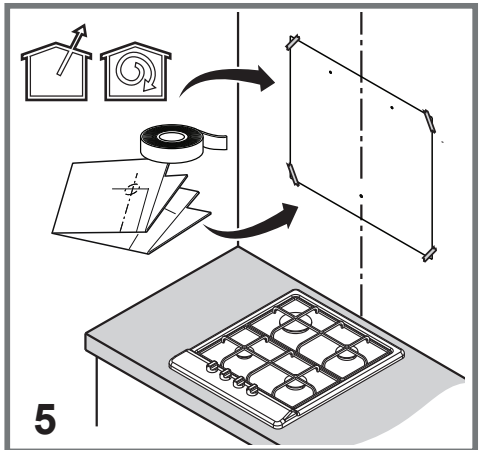
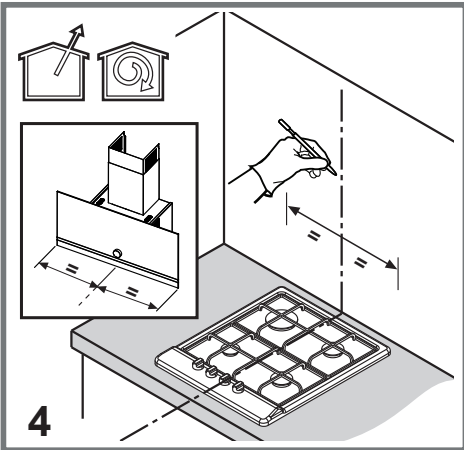
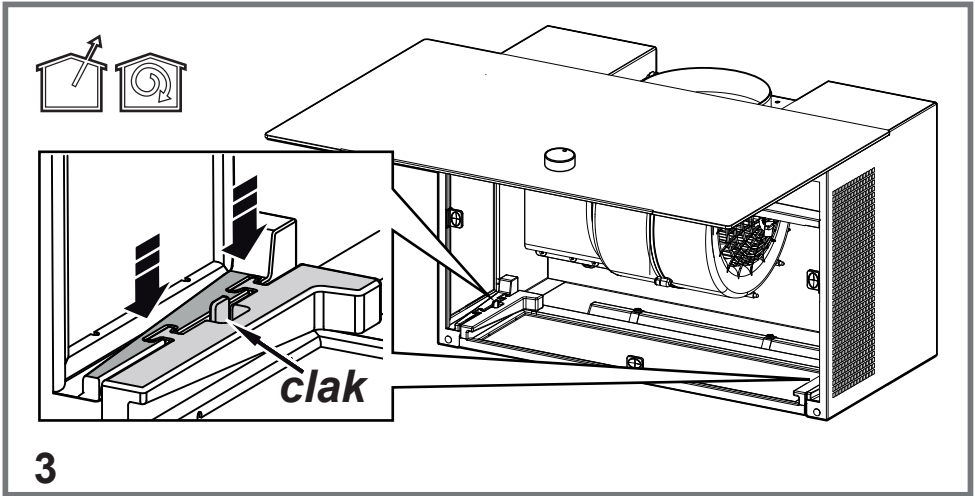
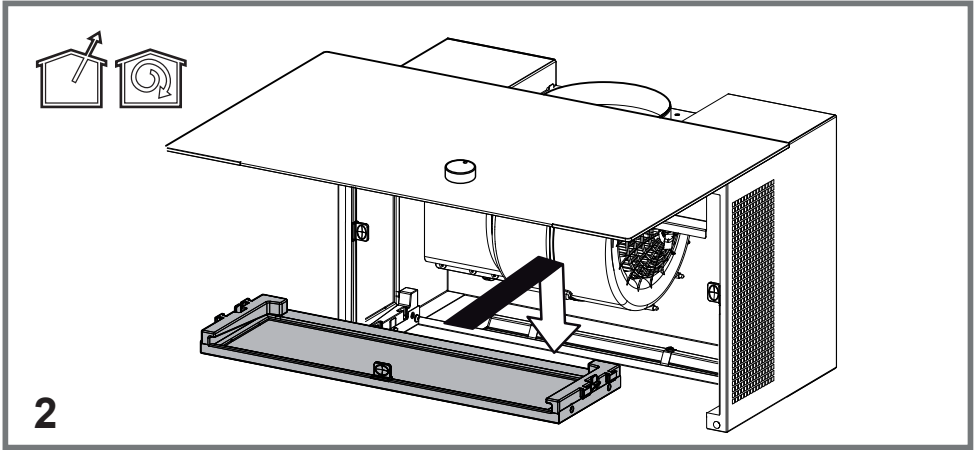


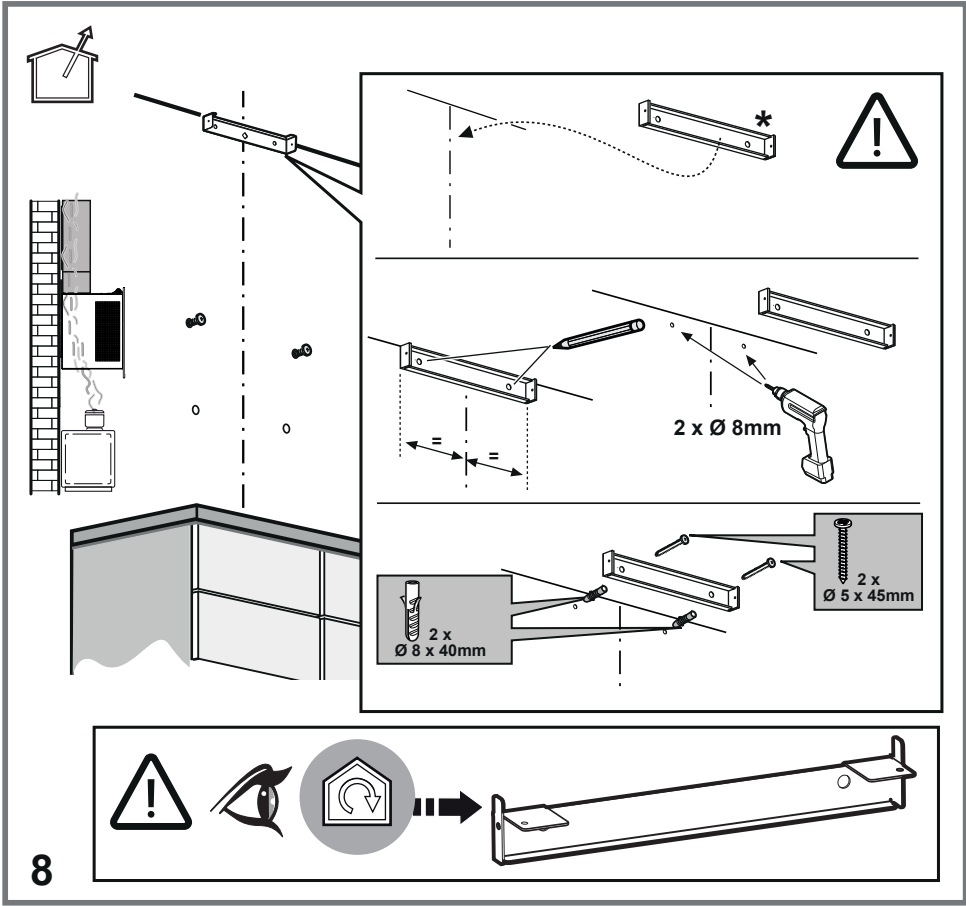
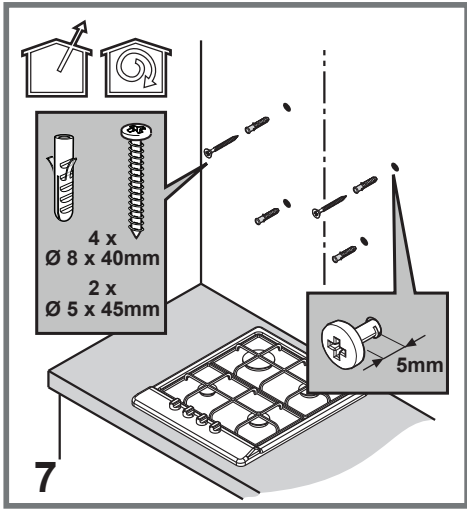
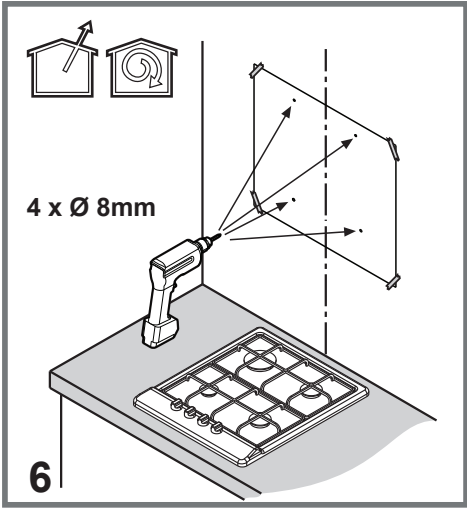
.1

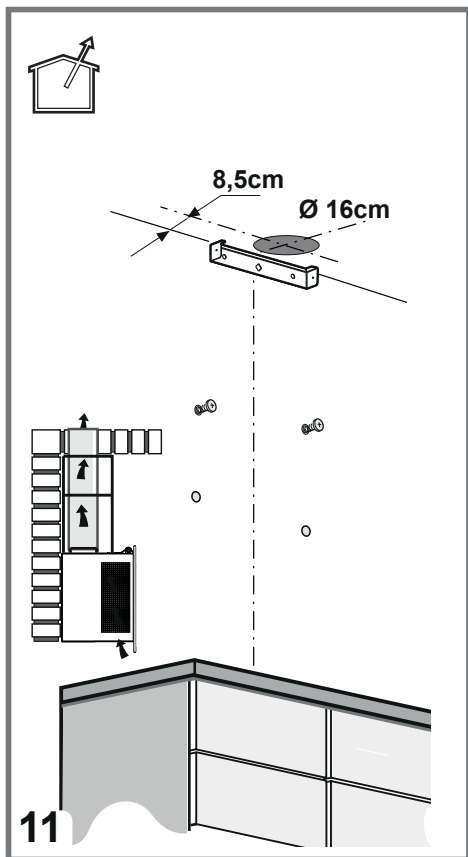
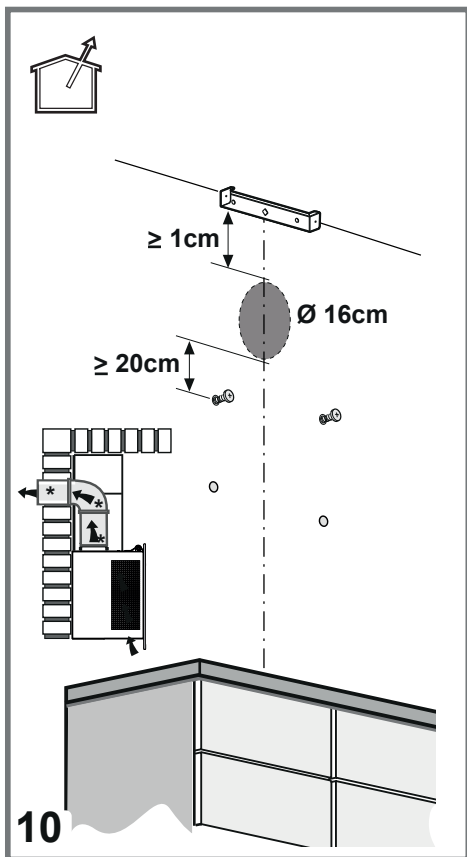
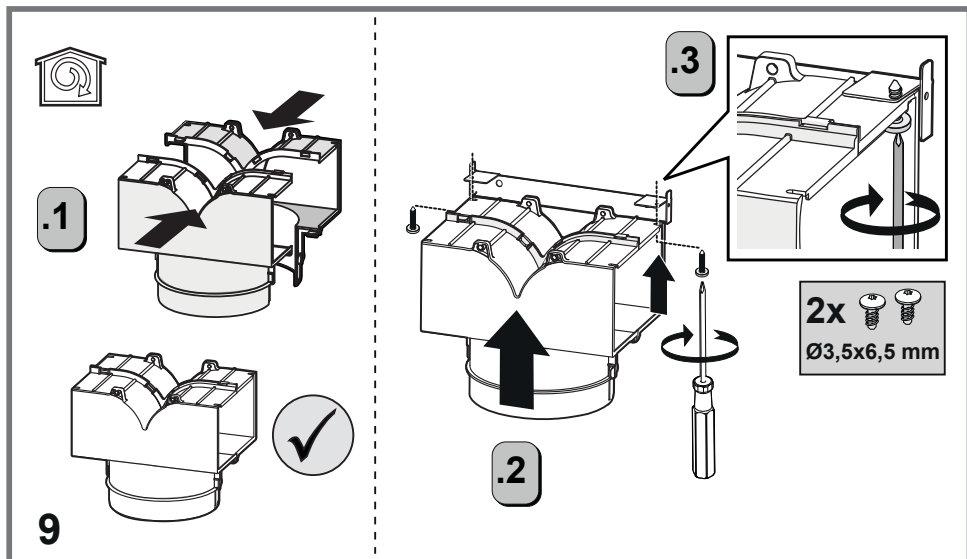


.2

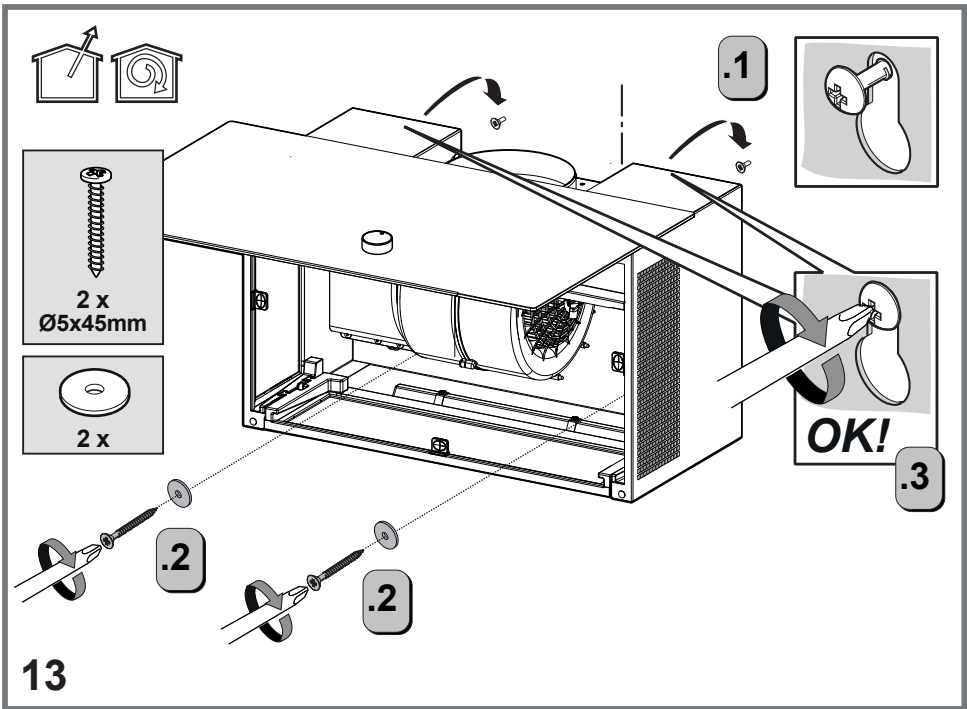
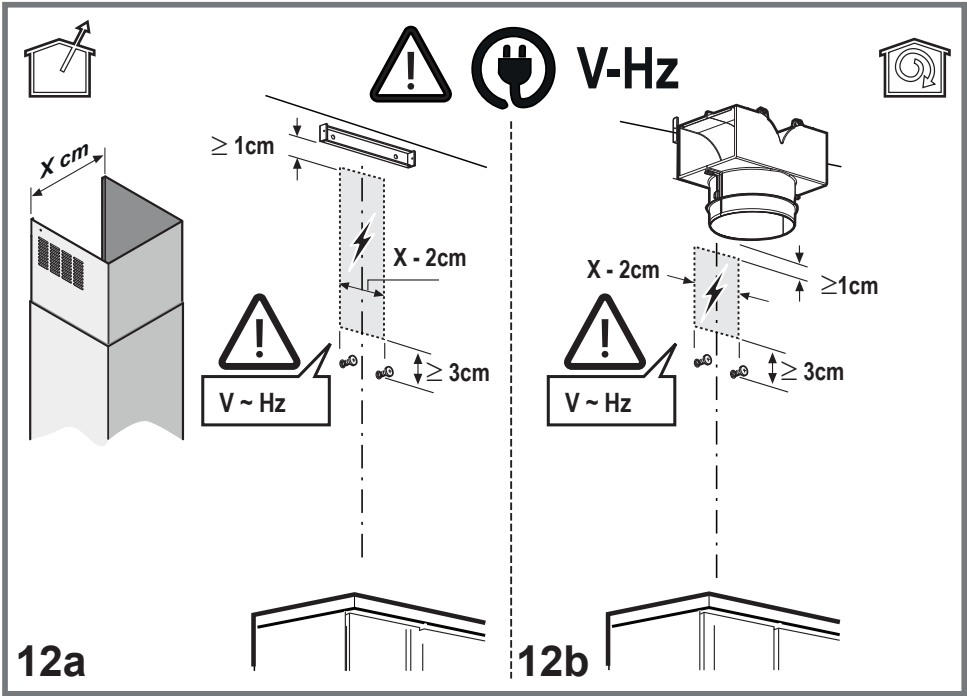






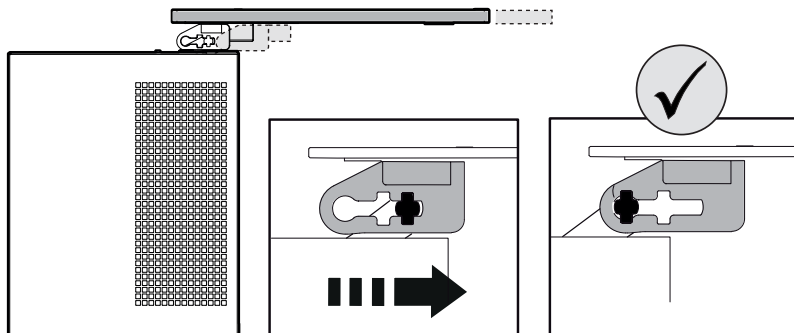




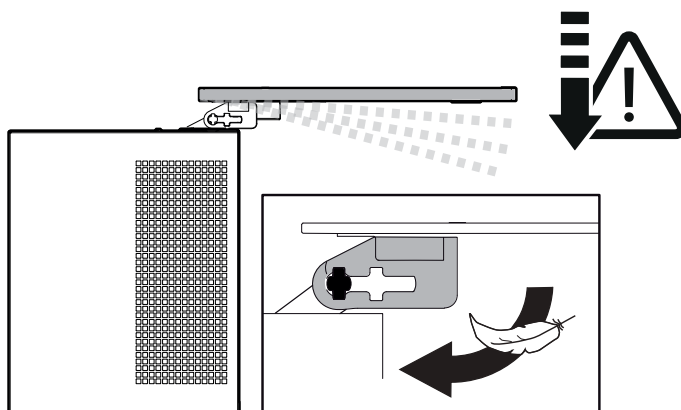




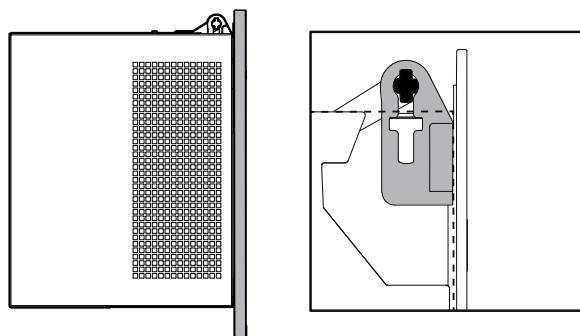
1

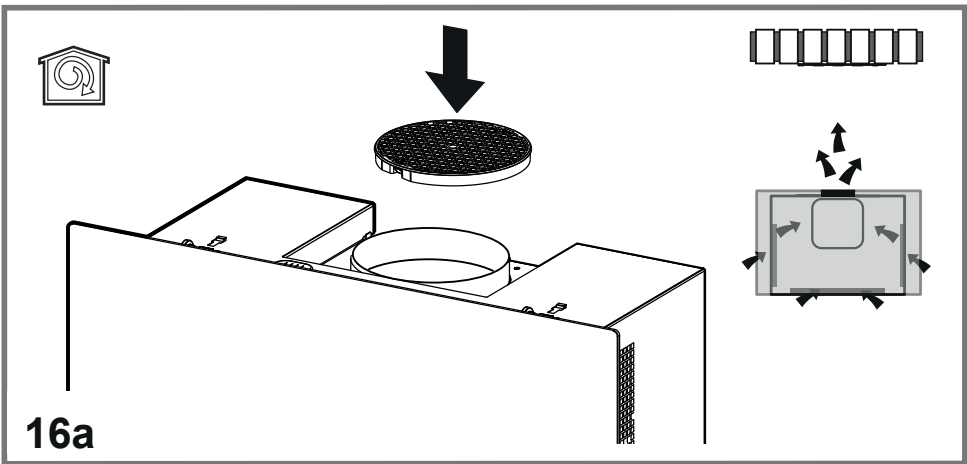
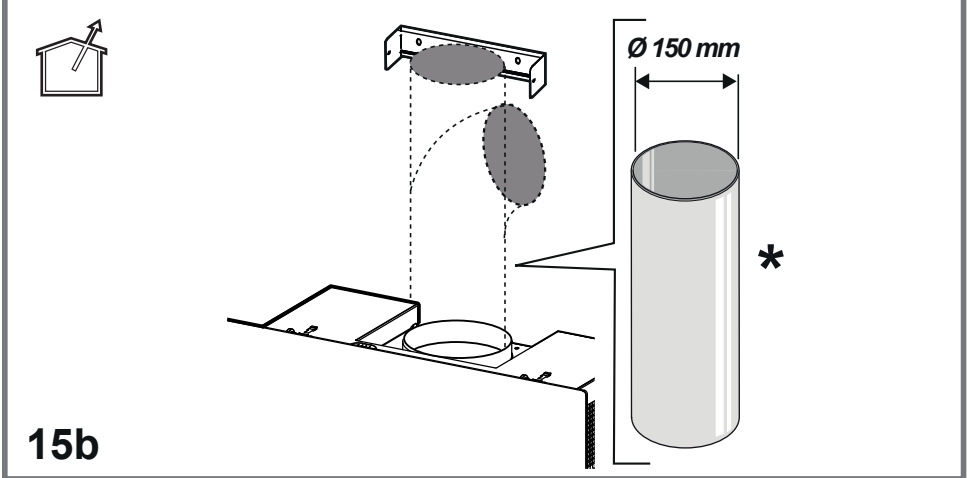
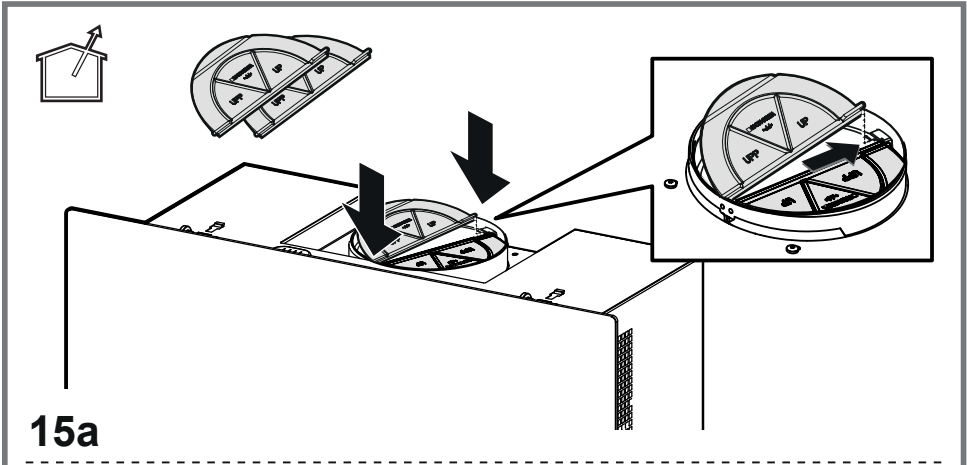


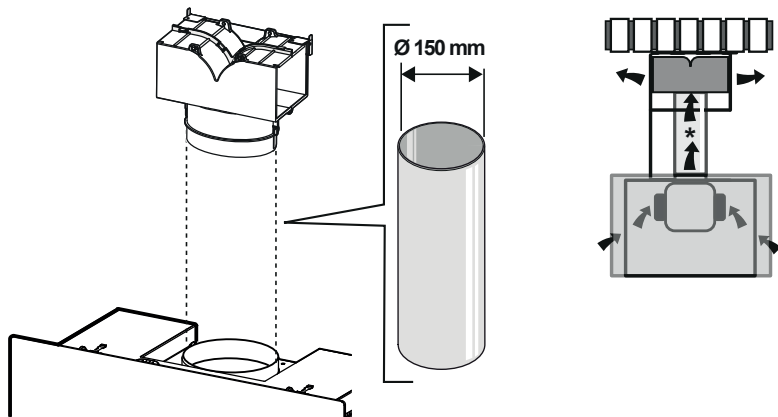
2



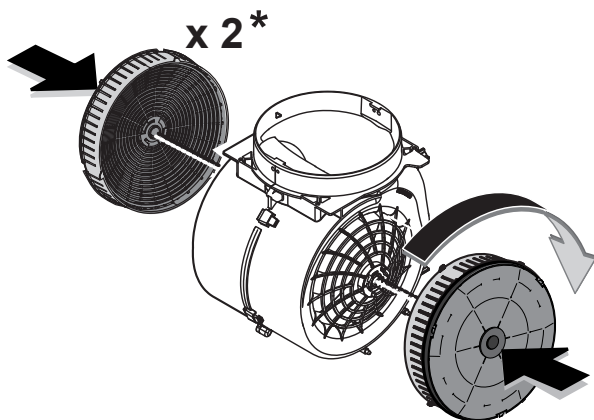
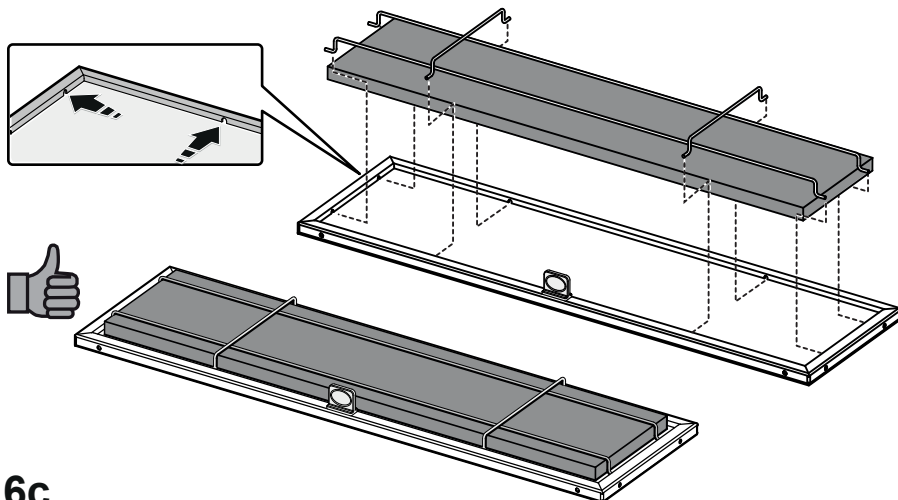
3



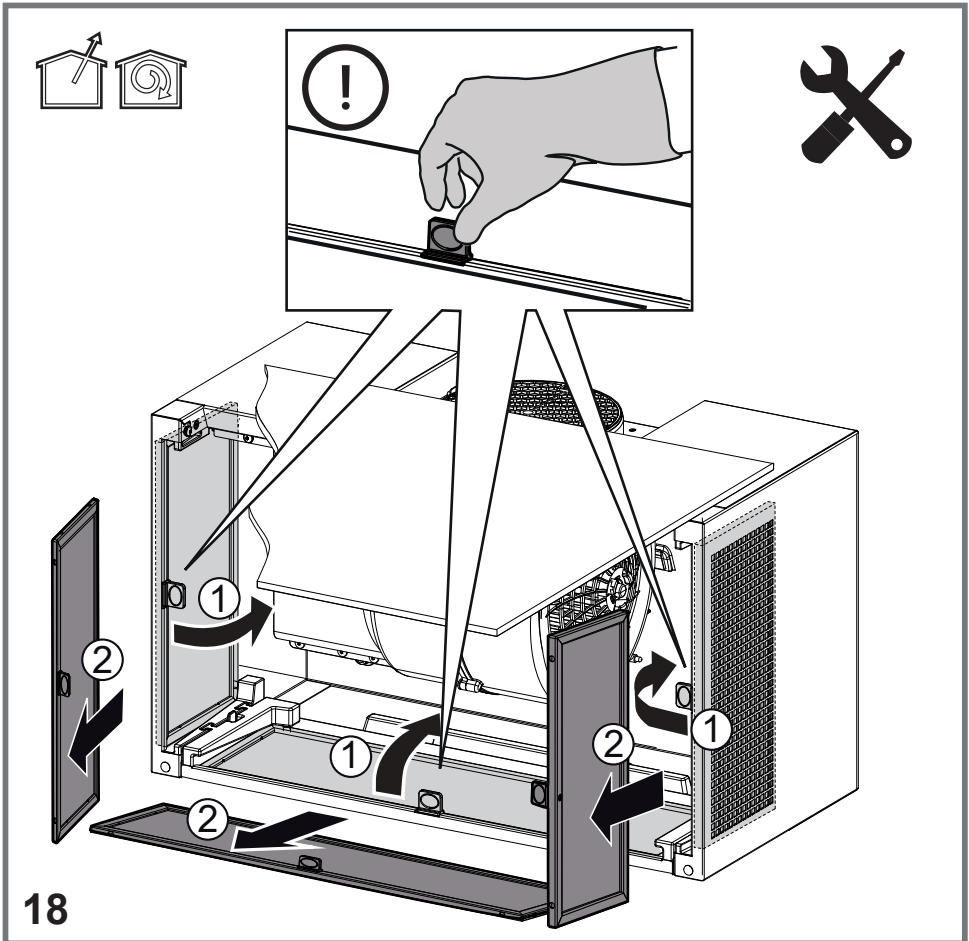
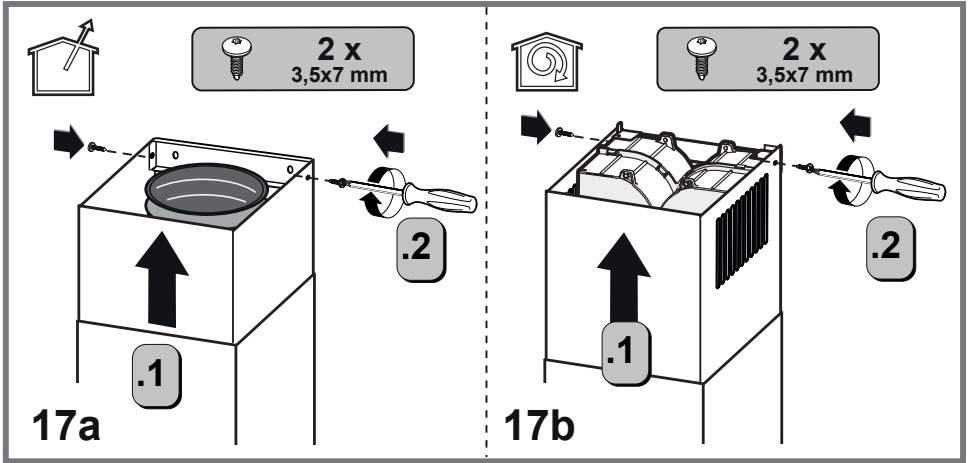


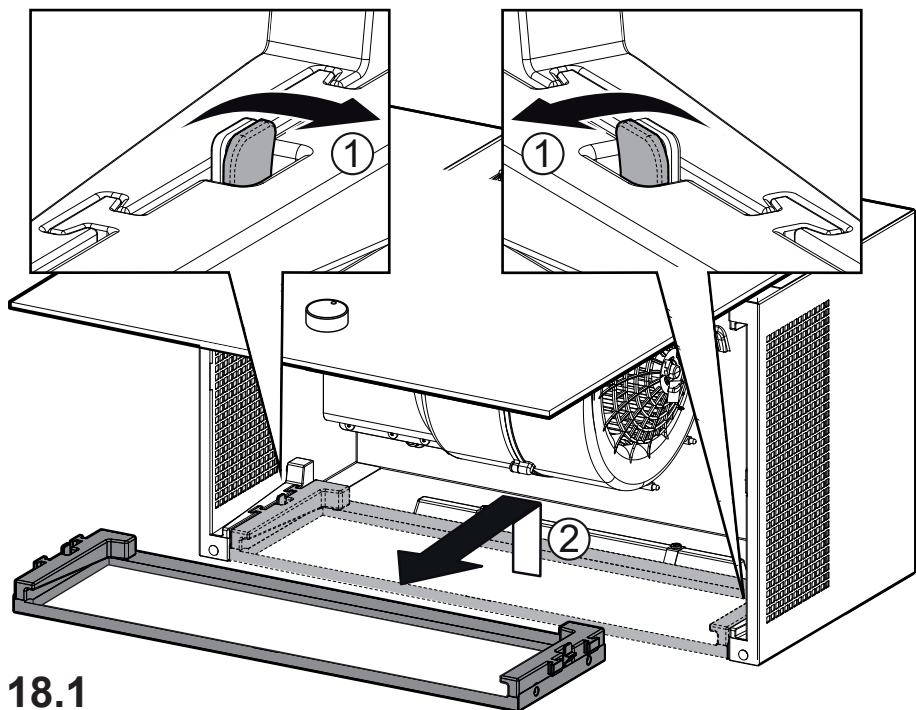


16b

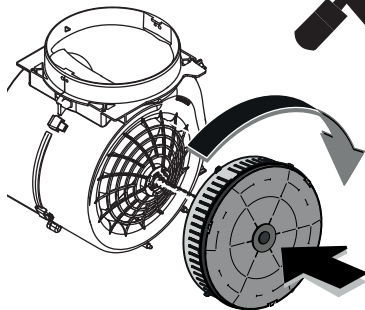
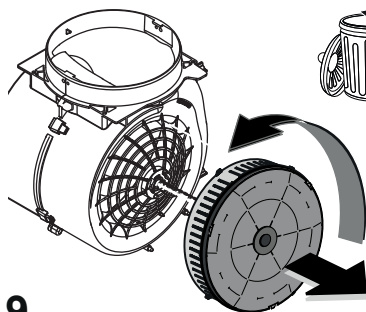


16d





18.1



19

## GENERAL SAFETY

- Before any cleaning or maintenance operation, disconnect hood from the mains by removing the plug or disconnecting the mains electrical supply.
- Always wear work gloves for all installation and maintenance operations.
- This appliance can be used by children aged from 8 years and above and persons with reduced physical, sensory or mental capabilities or lack of experience and knowledge if they have been given supervision or instruction concerning use of the appliance in a safe way and understand the hazards involved.
- Children shall not be allowed to tamper with the controls or play with the appliance.
- Cleaning and user maintenance shall not be made by children without supervision.
- The premises where the appliance is installed must be sufficiently ventilated, when the kitchen hood is used together with other gas combustion devices or other fuels.
- The hood must be regularly cleaned on both the inside and outside (AT LEAST ONCE A MONTH).
- This must be completed in accordance with the maintenance instructions provided. Failure to follow the instructions provided regarding the cleaning of the hood and filters will lead to the risk of fires.
- Do not flambé under the range hood.
- Do not remove filters during cooking.
- For lamp replacement use only lamp type indicated in the Maintenance/Replacing lamps section of this manual.

The use of exposed flames is detrimental to the filters and may cause a fire risk, and must therefore be avoided in all circumstances.

Any frying must be done with care in order to make sure that the oil does not overheat and ignite.

**CAUTION:** Accessible parts of the hood may become hot when used with cooking appliances.

- Do not connect the appliance to the mains until the installation is fully complete.
- With regards to the technical and safety measures to be adopted for fume discharging it is important to closely follow the regulations provided by the local authorities.
- The air must not be discharged into a flue that is used for exhausting fumes from appliance burning gas or other fuels.

**▲ WARNING!** Failure to install the screws or fixing device in accordance with these instructions may result in electrical hazards.

- Do not use or leave the hood without the lamp correctly mounted due to the possible risk of electric shocks.
- Never use the hood without effectively mounted grids.
- The hood must NEVER be used as a support surface unless specifically indicated.
- Use only the fixing screws supplied with the product for installation or, if not supplied, purchase the correct screws type.

- Use the correct length for the screws which are identified in the Installation Guide.
- In case of doubt, consult an authorized service assistance center or similar qualified person.

**⚠ WARNING!** Do not use with a programmer, timer, separate remote control system or any other device that switches on automatically.

Very young children(0-3years)should be kept away from the appliance.Young children (3-8 years)should be kept away from the appliance unless continuously supervised.

**⚠ CAUTION:**The appliance is not intended to be operated by means of an external switching device, such as a timer,or separate remote controlled system.

**⚠** This appliance is not for professional use. Do not use the appliance outdoors.

**⚠** The appliance must be handled and installed by two or more persons-risk of injury.

**⚠** Installation, including water supply (if any),electrical connections and repairs must be carried out by a qualified technician. Once installed,packaging waste (plastic,styrofoam parts etc.) must be stored out of reach of children – risk of suffocation.

Do not use the appliance when you are wet or barefoot.

Never use steam cleaning equipement – risk of electric shock.



The packaging material is 100% recyclable and is marked with the recycle symbol

**The hood can look different to that illustrated in the drawings in this booklet. The instructions for use, maintenance and installation, however, remain the same.**

**Closely follow the instructions set out in this manual.** All responsibility, for any eventual inconveniences, damages or fires caused by not complying with the instructions in this manual, is declined. This appliance is intended to be used in household and similar application such as: - staff kitchen areas in shop, offices and other working environments; - farm houses; - by clients in hotels, motels and other residential type environments; - bed and breakfast type environments.

- It is important to conserve this booklet for consultation at any moment. In the case of sale, cession or move, make sure it is together with the product.
- Read the instructions carefully: there is important information about installation, use and safety.
- Do not carry out electrical or mechanical variations on the product or on the discharge conduits.
- Before proceeding with the installation of the appliance verify that there are no damaged all components. Otherwise contact your dealer and do not proceed with the installation.

• The minimum distance between the supporting surface for the cooking equipment on the hob and the lowest part of the range hood must be not less than 45cm from electric cookers and 65cm from gas or mixed cookers.

If the instructions for installation for the gas hob specify a greater distance, this must be adhered to.

## **ELECTRICAL CONNECTION**

The mains power supply must correspond to the rating indicated on the plate situated inside the hood. If provided with a plug connect the hood to a socket in compliance with current regulations and positioned in an accessible area, after installation. If it not fitted with a plug (direct mains connection) or if the plug is not located in an accessible area, after installation, apply a double pole switch in accordance with standards which assures the complete disconnection of the mains under conditions relating to over-current category III, in accordance with installation instructions.



**▲ WARNING!** Before re-connecting the hood circuit to the mains supply and checking the efficient function, always check that the mains cable is correctly assembled.

If the cable is not fitted with a plug, connect the wires according to the following table:

#### Mains voltage and frequency

Refer to the rating indicated on the plate inside of the hood

#### Wire connection

 : yellow/green

N : blue

L : brown

## Replacing the power cable

The hood is provided with a special power cable ; if the cable is damaged, request a new one from Technical Service.

## AIR VENT

(for the suction versions)

Connect the hood and discharge holes on the walls with a diameter equivalent to the air outlet (connection flange).

Using the tubes and discharge holes on walls with smaller dimensions will cause a diminution of the suction performance and a drastic increase in noise.

Any responsibility in the matter is therefore declined.

- ! Use a duct of the minimum indispensable length.
- ! Use a duct with as few elbows as possible (maximum elbow angle: 90°).
- ! Avoid drastic changes in the duct cross-section.
- ! The company declines any responsibility whenever these regulations are not respected.

## FILTERING OR DUCTING ?

! Your cooker hood is ready to be used in suction version.

To use the hood in filtering version the special ACCESSORY KIT must be installed.

Check on the first pages of this manual if the ACCESSORY KIT is furnished or must be bought separately.

**Note:** If furnished, in certain cases, the additional activated carbon filtering system may be installed on the hood.

Information about the conversion of the hood from suction version to filtering version is present in this manual.

## Ducting version

In this case the fumes are conveyed outside of the building by means of a special pipe connected with the connection ring located on top of the hood.

## ▲ CAUTION!

The exhausting pipe is not supplied and must be purchased apart.

Diameter of the exhausting pipe must be equal to that of the connection ring.

## ▲ CAUTION!

If the hood is supplied with active charcoal filter, then it must be removed.

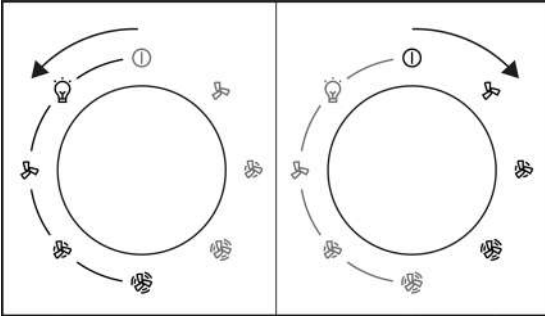
## Filter version

The aspirated air will be degreased and deodorised before being fed back into the room.

In order to use the hood in this version, you have to install a system of additional filtering based on activated charcoal.

# CONTROLS


The hood is fitted with a control panel with aspiration speed selection control and a light switch to control cooking area lights.





 Light ON


 OFF


 Speed 1 Light ON

 Speed 1 Light OFF

 Speed 2 Light ON

 Speed 2 Light OFF

 Speed 3 Light ON

 Speed 3 Light OFF

# MAINTENANCE

## Cleaning

Clean using **ONLY** a cloth dampened with neutral liquid detergent. **DO NOT CLEAN WITH TOOLS OR INSTRUMENTS.** Do not use abrasive products. **DO NOT USE ALCOHOL!**

## Perimeter aspiration panel

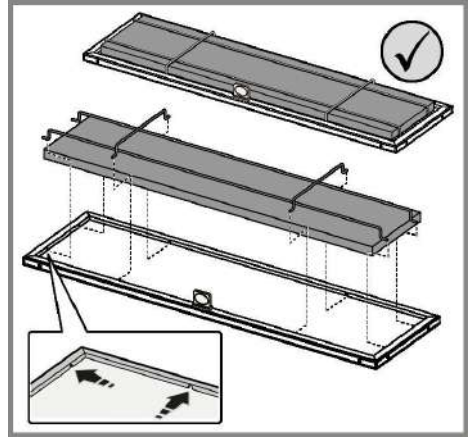
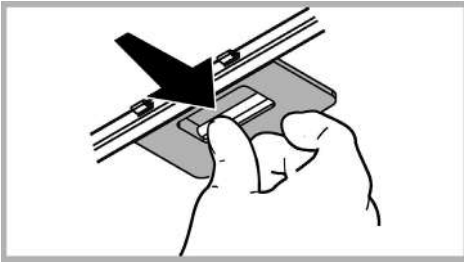
Clean the perimeter aspiration panel with the same frequency as the anti-grease filter, using a cloth and not too concentrated liquid detergent. Do not use abrasive substances.

## Maintenance of the anti-grease filters

### Traps cooking grease particles.

The **grease filter** must be cleaned once a month using non aggressive detergents, either by hand or in the dishwasher, which must be set to a low temperature and a short cycle. When washed in a dishwasher, the grease filter may discolor slightly, but this does not affect its filtering capacity.

To remove the grease filter, pull the spring release handle.



## Circular charcoal filter

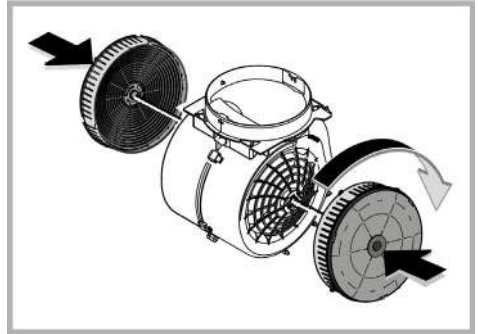
Apply one on each side as cover to both the shield grids of the motor impeller, then turn clockwise.

For the disassembly, turn counter-clockwise.

The saturation of the **charcoal filter** occurs after more or less prolonged use, depending on the type of cooking and the regularity of cleaning of the grease filter.

In any case it is necessary to replace the cartridge at least every four months.

The charcoal filter may **NOT** be washed or regenerated.



## Maintenance of the charcoal filter

It absorbs unpleasant odors caused by cooking.

### Synthetic mat filter (supplied with the product)

The charcoal filter can be washed once every two months (or when the filter saturation indication system – if envisaged on the model in possession – indicates this necessity) using hot water and a suitable detergent, or in a dishwasher at 65°C (if the dishwasher is used, select the full cycle function and leave dishes out).

Eliminate excess water without damaging the filter, then put it in the oven for 10 minutes at 100° C to dry completely. Replace the mattress every 3 years and when the cloth is damaged.

The synthetic mat filter can be replaced with the round carbon filter.

## Replacing lamps

The hood is equipped with a lighting system based on LED technology.


The LEDs guarantee an optimum lighting, a duration up to 10 times longer than the traditional lamps and allow to save 90% electrical energy.

The lighting system cannot be replaced by the user, contact Customer Service in case of malfunction.

## DISPOSAL

- This appliance is marked according to the European directive 2012/19/EC - UK SI 2013 No.3113 on Waste Electrical and Electronic Equipment (WEEE).
- By ensuring this product is disposed of correctly, you will help prevent potential negative consequences for the environment and human health, which could otherwise be caused by inappropriate waste handling of this product.



- The symbol  on the product, or on the documents accompanying the product, indicates that this appliance may not be treated as household waste. Instead it should be taken to the appropriate collection point for the recycling of electrical and electronic equipment. Disposal must be carried out in accordance with local environmental regulations for waste disposal.
- For further detailed information regarding the process, collection and recycling of this product, please contact the appropriate department of your local authorities or the local department for household waste or the shop where you purchased this product.

Appliance designed, tested and manufactured according to:

- Safety: EN/IEC 60335-1; EN/IEC 60335-2-31, EN/IEC 62233.
- Performance: EN/IEC 61591; ISO 5167-1; ISO 5167-3; ISO 5168; EN/IEC 60704-1; EN/IEC 60704-2-13; EN/IEC 60704-3; ISO 3741; EN 50564; IEC 62301.
- EMC: EN 55014-1; CISPR 14-1; EN 55014-2; CISPR 14-2; EN/IEC 61000-3-2; EN/IEC 61000-3-3. Suggestions for a correct use in order to reduce the environmental impact: Switch ON the hood at minimum speed when you start cooking and kept it running for few minutes after cooking is finished. Increase the speed only in case of large amount of smoke and vapor and use boost speed(s) only in extreme situations. Replace the charcoal filter(s) when necessary to maintain a good odor reduction efficiency. Clean the grease filter(s) when necessary to maintain a good grease filter efficiency. Use the maximum diameter of the ducting system indicated in this manual to optimize efficiency and minimize noise.



## MALFUNCTIONS

If something appears not to be working properly, do the following simple checks before calling Technical Service:

- If the hood is not working:  
Check that:
  - The power has not been disconnected.
  - A speed has been selected.
- If the hood performs inefficiently:  
Check that:
  - The motor speed selected is sufficient for the amount of smoke and vapours released.
  - The kitchen is sufficiently ventilated to allow air intake.
  - The charcoal filter is not worn (hood in filtering version).
- If the hood has turned off during normal functioning:  
Check that:
  - The power has not been disconnected.
  - the omnipolar disconnection device has not tripped.

If the hood fails to operate correctly, briefly disconnect it from the mains power supply for almost 5 sec. Then connect it in again and try once more before contacting the Technical Assistance Service.

# TECHNICAL DATA

Height (cm)	Width (cm)	Depth (cm)	Ø of the exhaust tube (cm)
 67-101,5	59,8 - 89,8	25	15
 77,5-101,5			

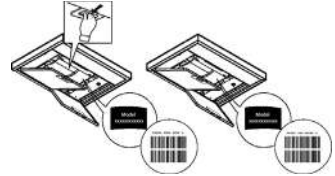


Components not provided with the product



You can download the **Safety Instructions, User Manual, Product Fiche and Energy data** by:

- Visiting our website [docs.bauknecht.eu](https://docs.bauknecht.eu)
- Using QR Code
- Alternatively, **contact our After-sales Service** (See phone number in the warranty booklet). When contacting our After-sales Service, please state the codes provided on your product's identification plate.



## ALLGEMEINE SICHERHEIT

- Vor jeglicher Reinigung bzw. Wartung muss das Gerät vom Stromnetz getrennt werden, indem man den Stecker herauszieht bzw. den Hauptschalter ausschaltet.
  - Alle Installations- und Wartungsarbeiten sind mit Arbeitshandschuhen durchzuführen.
  - Das Gerät kann von Kindern ab 8 Jahren, sowie von Menschen mit verringerten physischen, sinnlichen oder psychischen Fähigkeiten (oder ohne Erfahrung und Kenntnisse) benutzt werden, sofern sie entsprechend überwacht werden bzw. in die Benutzung des Geräts sicher eingewiesen wurden und sich der damit verbundenen Gefahren bewusst sind.
  - Darauf achten, dass Kinder mit dem Gerät nicht spielen. Kinder dürfen bei Reinigung und Wartung nur dann helfen, wenn sie dabei beaufsichtigt werden.
  - Der Raum muss ausreichend belüftet sein, wenn die Dunstabzugshaube zusammen mit anderen Gas- bzw. Brennstoffgeräten verwendet wird.
  - Die Dunstabzugshaube muss regelmäßig von innen und außen gereinigt werden (MINDESTENS EINMAL IM MONAT), außerdem sollten die Anweisungen zur Wartung befolgt werden. Das nicht befolgen der Normen zur Reinigung der Dunstabzugshaube, das nicht befolgen der Hinweise zur Reinigung und zum Austausch von Filtern führt zu Brandgefahr.
  - Es ist streng verboten, Speisen auf Kochstellen mit offener Flamme unter der Dunstabzugshaube zu kochen.
  - Für den Lampenersatz verwenden Sie nur den Lampentyp, der in dem Absatz Lampenwartung / Ersatz des vorliegenden Handbuchs angegeben wird.
- Die Verwendung von offener Flamme schadet den Filtern und kann zu Brandgefahr führen, daher ist sie in jedem Fall zu vermeiden.
- Das Frittieren muss mit Vorsicht durchgeführt werden, um zu vermeiden, dass das überhitzte Öl Feuer fängt.
- ACHTUNG:** Ist das Kochfeld in Betrieb, können zugängliche Teile der Dunstabzugshaube heiß werden.
- Das Gerät nicht an das Stromnetz anschließen, bis die Installation vollständig abgeschlossen ist.
  - Bei gleichzeitigem Betrieb der Dunstabzugshaube im Abluftbetrieb und gas- oder brennstoffbetriebenen Geräten darf im Aufstellraum der Geräte der Unterdruck nicht größer als 4 Pa ( $4 \times 10^{-5}$  bar) sein.
  - Die Abluft darf nicht in einen Kamin geleitet werden, der zugleich Abgase von der Verbrennung von Gas oder anderen Brennstoffen führt.
- ▲ ACHTUNG!** Schrauben und Befestigungselemente, die nicht in Übereinstimmung mit diesen Hinweisen sind, können zur elektrischen Gefährdung führen.
- Für das Ableiten der Küchengerüche halten Sie sich an die Vorschriften der örtlichen Behörde.
  - Benutzen Sie die Haube nicht ohne korrekt montierte Lampen, um Stromschlaggefahr zu vermeiden.

- Die Dunstabzugshaube niemals ohne richtig installiertes Gitter verwenden!
- Die Dunstabzugshaube darf NIEMALS als Auflagefläche verwendet werden, sofern es nicht ausdrücklich angegeben ist.
- Verwenden Sie nur die mit dem Produkt für die Installation mitgelieferten Schrauben, oder, falls nicht im Lieferumfang enthalten, kaufen Sie den richtigen Schraubentyp.
- Die Länge für die Schrauben verwenden, die im Installationshandbuch angegeben wird.
- Im Zweifelsfall, fragen Sie Ihren autorisierten Kundendienst oder ein ähnliches Fachpersonal.

**▲ ACHTUNG!** Nicht mit einem externen Timer, einer Schaltuhr oder einer Fernbedienung oder jeglicher anderer Vorrichtung, die sich automatisch aktiviert, verwenden.

Halten Sie Kinder unter 3 Jahren fern vom Gerät. Ohne die ständige Aufsicht eines Erwachsenen Kinder unter 8 Jahren nicht in Reichweite des Geräts lassen.

**▲ ACHTUNG:** Das Gerät darf nicht über ein externes Gerät oder mit einer Fernbedienung in Betrieb gesetzt werden.

**▲** Dieses Gerät ist nicht für den professionellen Gebrauch. Das Gerät nicht im Freien benutzen.

**▲** Um Verletzungen zu vermeiden, muss das Gerät von zwei oder mehreren Personen bewegt und installiert werden.

**▲** Die Installation, die auch Anschlüsse an das Wasserversorgungsnetz (wenn vorgesehen) und an das Stromnetz beinhaltet, und Reparaturen müssen von Fachpersonal ausgeführt werden.

Nach abgeschlossener Installation das Verpackungsmaterial (Plastik, Polystyrol usw.) außerhalb der Reichweite von Kindern aufbewahren, um Erstickungsgefahr zu vermeiden. .

Das Gerät nicht benutzen, wenn man nass oder barfuß ist.

Das Gerät niemals mit Dampf reinigen - Stromschlaggefahr.



Das Verpackungsmaterial ist 100% recycelbar und mit dem Recycling-Zeichen gekennzeichnet

**Die Dunstabzugshaube kann anders aussehen als auf den Abbildungen in der vorliegenden Bedienungsanleitung. Die Bedienungsanleitungen, die Wartung und die Installation sind aber gleich.**

**Die Anweisungen, die in diesem Handbuch gegeben werden, müssen strikt eingehalten werden.** Es wird keinerlei Haftung übernommen für mögliche Mängel, Schäden oder Brände der Dunstabzugshaube, die auf die Nichtbeachtung der Vorschriften in diesem Handbuch zurückzuführen sind. Die Dunstabzugshaube wurde für die Absaugung der beim Kochen entstehenden Dünste und Dämpfe entwickelt. Sie ist nur für den Hausgebrauch geeignet.

- Die Bedienungsanleitung muss aufbewahrt werden, damit jederzeit ein Nachschlagen möglich ist. Bei Verkauf, Abtretung oder Umzug muss die Bedienungsanleitung immer beim Produkt bleiben.
- Die Bedienungsanleitung muss aufmerksam gelesen werden, da sie wichtige Informationen über Installation, Gebrauch und Sicherheit enthält.
- Es dürfen keine elektrischen oder mechanischen Änderungen am Gerät oder an den Abluftleitungen vorgenommen werden.
- Vergewissern Sie sich vor der Installation, dass das Gerät keine Transportschäden aufweist. Bei auftretenden Problemen setzen Sie sich bitte mit Ihrem Händler in Verbindung.

• Der Abstand zwischen der Abstellfläche auf dem Kochfeld und der Unterseite der Dunstabzugshaube darf 45cm im Fall von elektrischen Kochfeldern und 65 cm im Fall von Gas- oder kombinierten Herden nicht unterschreiten.

Wenn die Installationsanweisungen des Gaskochgeräts einen größeren Abstand vorgeben, ist dieser zu berücksichtigen.

## ELEKTRISCHER ANSCHLUSS

Die Netzspannung muss der Spannung entsprechen, die auf dem Typenschild im Innern der Haube angegeben ist. Sofern die Haube einen Netzstecker hat, ist dieser an zugänglicher Stelle an eine den geltenden Vorschriften entsprechende Steckdose nach der Montage anzuschließen. Bei einer Haube ohne Stecker (direkter Netzanschluss) oder falls der Stecker nicht zugänglich ist, ist ein normgerechter zweipoliger Schalter nach der Montage anzubringen, der unter Umständen der Überspannung Kategorie III entsprechend den Installationsregeln ein vollständiges Trennen vom Netz garantiert.


**▲ HINWEIS!** Vor der Inbetriebnahme muss sichergestellt werden, dass die Netzversorgungsleitung (Steckdose) ordnungsgemäß montiert wurde.

Wenn das Kabel keinen Stecker hat, die Drähte entsprechend der folgenden Tabelle verbinden:

#### Netzspannung und Frequenz

Lesen Sie den Wert auf dem Aufkleber mit den Geräteeigenschaften auf der Innenseite der Kappe.

#### Verdrahtung

 :gelb/grün  
N : Blau  
L : Braun

### Austausch des Netzkabels

Die Dunstabzugshaube ist mit einem Spezialkabel ausgestattet. Sollte das Kabel beschädigt werden, muss beim Kundendienst Ersatz angefordert werden.

### ABLEITUNG DER ABLUFT

(bei Abluftversionen)

Die Dunstabzugshaube an Abluftrohre und Abluftöffnungen in der Wand anschließen, die den gleichen Durchmesser haben wie der Abluftstutzen (Anschlussflansch).

Die Benutzung von Rohren und Abluftöffnungen mit geringerem Durchmesser verursacht eine Verringerung der Abluftleistung und eine drastische Zunahme der Geräusentwicklung.

Bei Nichtbeachtung der Anweisungen übernimmt der Hersteller keine Haftung.

- ! Ein möglichst kurzes Rohr verwenden.
- ! Ein Rohrsystem mit einer möglichst geringen Anzahl von Krümmungen verwenden (max. Winkel der Krümmung: 90°).
- ! Starke Änderungen des Rohrdurchmessers sind zu vermeiden.
- ! Jegliche Verantwortung wird von der Firma abgelehnt, sollten diese Normen nicht respektiert werden.

### UMLUFT- ODER ABLUFTBETRIEB ?

! Ihre Haube wird als Abzugshaube geliefert.

Um die Abzugshaube in der Umluftversion verwenden zu können, braucht der AKTIVKOHLE-FILTERSYSTEM installiert zu werden.

Stellen Sie in den ersten Seiten dieser Gebrauchsanleitung fest, ob das AKTIVKOHLE-FILTERSYSTEM mitgeliefert oder separat erhältlich ist.

**Anmerkung:** Wenn das Aktivkohle-Filterssystem mitgeliefert wird, kann es schon in der Haube installiert worden sein.

Die Informationen über den Umbau der Abzugshaube in Umlufthaube sind in dieser Gebrauchsanleitung enthalten.

### Abluftbetrieb

Die Luft wird mit Hilfe eines Rohrs ins Freie geleitet, das am Abluftstutzen angebracht wird.

#### ▲ HINWEIS!

Das Abluftrohr wird nicht mitgeliefert und muss separat erworben werden.

Das Abluftrohr muss den gleichen Durchmesser wie der Abluftstutzen aufweisen.

#### ▲ HINWEIS!

Sollte die Dunstabzugshaube mit Aktivkohlefilter versehen sein, so muss dieser entfernt werden.



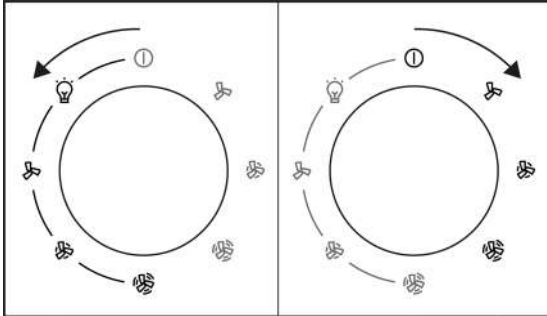
## Umluftbetrieb

Die angesaugte Luft wird zuvor entfettet und desodoriert werden, bevor sie wieder in den Raum zugeführt wird.

Um die Abzugshaube in dieser Version zu verwenden, müssen Sie ein zusätzliches Filtersystem, welches auf Aktivkohle basiert, installieren.

## BEDIENELEMENTE

Die Dunstabzugshaube ist mit einer Bedienungsblende ausgestattet, die mit einer Steuerung für die Ansaugstärke bzw. -geschwindigkeit, sowie einer Steuerung zur Einstellung der Arbeitsplatzbeleuchtung versehen ist.



 Light ON

 OFF

 Geschwindigkeitsstufe 1 Licht ON

 Geschwindigkeitsstufe 1 Licht OFF

 Geschwindigkeitsstufe 2 Licht ON

 Geschwindigkeitsstufe 1 Licht OFF

 Geschwindigkeitsstufe 3 Licht ON

 Geschwindigkeitsstufe 1 Licht OFF

# WARTUNG

## Reinigung

Zur Reinigung **AUSSCHLIESSLICH** ein mit flüssigem Neutralreiniger getränktes Tuch verwenden. **KEINE WERKZEUGE ODER GERÄTE FÜR DIE REINIGUNG VERWENDEN!** Keine Produkte verwenden, die Scheuermittel enthalten. **KEINEN ALKOHOL VERWENDEN!**

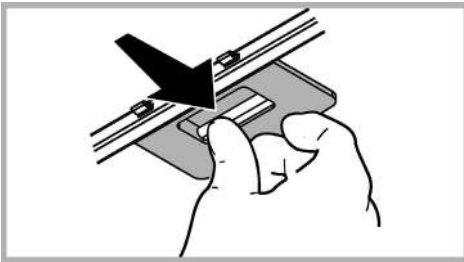
## Perimetralabluftpaneel

Das Perimetralabluftpaneel so oft wie den Fettschutzfilter putzen, ein Tuch und ein nicht so hoch konzentriertes Reinigungsmittel benutzen. Niemals Schleifmittel benutzen.

## Wartung der Fettfilter

Diese dienen dazu, die Fettpartikel, die beim Kochen frei werden, zu binden.

Der **Metallfettfilter** muss einmal monatlich gewaschen werden. Das kann mit einem milden Waschmittel von Hand, oder in der Spülmaschine bei niedriger Temperatur und Kurzspülgang erfolgen. Der Metallfettfilter kann bei der Reinigung in der Spülmaschine abfärben, was seine Filtermerkmale jedoch in keiner Weise beeinträchtigt. Zwecks Demontage der Fettfilter den Aushakgriff ziehen.



## Wartung des Aktivkohlefilters

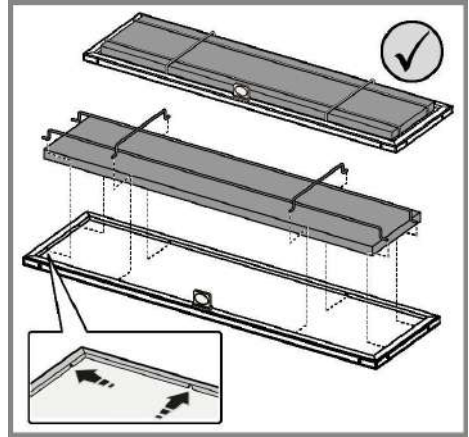
Dieser Filter bindet die unangenehmen Gerüche, die beim Kochen entstehen.

### Mattenfilter (wird mit dem Produkt geliefert)

Der Aktivkohlefilter wird alle zwei Monate (oder wenn das Sättigungsanzeigesystem der Filter – sofern bei dem jeweiligen Modell vorgesehen – diese Notwendigkeit anzeigt) in warmem Wasser und geeigneten Waschmitteln oder in der Spülmaschine bei 65°C gewaschen (in diesem Fall den vollständigen Spülzyklus – ohne zusätzliches Geschirr im Inneren der Geschirrspülmaschine - einschalten).

Das überschüssige Wasser entfernen, ohne dabei den Filter zu beschädigen; danach diesen bei 100° für 10 Minuten in den Ofen legen, um ihn vollständig zu trocknen. Das Vlies muss alle 3 Jahre ausgewechselt werden und weiterhin jedes Mal dann, wenn es beschädigt ist.

Der Mattenfilter kann mit einem runden Kohlefilter ausgetauscht werden.



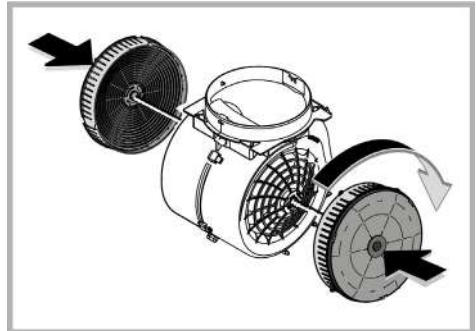
## Runde Aktivkohlefilter

Links und rechts vom Motorlaufrad je einen Kohlefilter auf das Schutzgitter auflegen und zum Befestigen den Zentralgriff P im Uhrzeigersinn drehen.

Zum Ausbau den Zentralgriff P entgegen dem Uhrzeigersinn drehen.

Je nach der Benutzungsdauer des Herdes und der Häufigkeit der Reinigung des Fettfilters tritt nach einer mehr oder weniger langen Benutzungsdauer die Sättigung des **Aktivkohlefilters** auf. Auf jeden Fall muß der Filtereinsatz mindestens alle 4 Monate ausgewechselt werden.

Er kann **NICHT** gereinigt oder erneut aktiviert werden.



## Ersetzen der Lampen

Die Haube ist mit einem auf der Leuchtdiodentechnologie basierten Beleuchtungssystem ausgestattet.

Die LEDs ermöglichen eine optimale Beleuchtung der Kochfläche. Sie haben die zehnfache Lebensdauer, verglichen mit herkömmlichen Lampen, und bieten eine Energieersparnis bis zu 90%.


Das Beleuchtungssystem kann nicht vom Anwender ausgetauscht werden, wenden Sie sich bitte bei Betriebsstörungen an den Kundendienst.

# ENTSORGUNG

In Übereinstimmung mit den Anforderungen der Europäischen Richtlinie 2012/19/EC - UK SI 2013 No.3113 über Elektro- und Elektronik-Altgeräte (WEEE) ist vorliegendes Gerät mit einer Kennzeichnung versehen.

Sie leisten einen positiven Beitrag für den Schutz der Umwelt und die Gesundheit des Menschen, wenn Sie dieses Gerät einer gesonderten Abfallsammlung zuführen. Im unsortierten Siedlungsmüll könnte ein solches Gerät durch unsachgemäße Entsorgung negative Konsequenzen nach sich ziehen.



Auf dem Produkt oder der beiliegenden Produktdokumentation ist folgendes Symbol  einer durchgestrichenen Abfalltonne abgebildet. Es weist darauf hin, dass eine Entsorgung im normalen Haushaltsabfall nicht zulässig ist. Entsorgen Sie dieses Produkt im Recyclinghof mit einer getrennten Sammlung für Elektro- und Elektronikgeräte. Die Entsorgung muss gemäß den örtlichen Bestimmungen zur Abfallbeseitigung erfolgen.

Bitte wenden Sie sich an die zuständigen Behörden Ihrer Gemeindeverwaltung, an den lokalen Recyclinghof für Haushaltsmüll oder an den Händler, bei dem Sie dieses Gerät erworben haben, um weitere Informationen über Behandlung, Verwertung und Wiederverwendung dieses Produkts zu erhalten.

Gerät entwickelt, getestet und hergestellt nach:

- Sicherheit: EN/IEC 60335-1; EN/IEC 60335-2-31, EN/IEC 62233.
- Leistungsfähigkeit/Gebrauchstauglichkeit: EN/IEC 61591; ISO 5167-1; ISO 5167-3; ISO 5168; EN/IEC 60704-1; EN/IEC 60704-2-13; EN/IEC 60704-3; ISO 3741; EN 50564; IEC 62301.
- EMC: EN 55014-1; CISPR 14-1; EN 55014-2; CISPR 14-2; EN/IEC 61000-3-2; EN/IEC 61000-3-3. Empfehlungen für eine korrekte Verwendung, um die Umweltbelastung zu verringern: Schalten Sie die Haube beim Kochbeginn bei kleinster Geschwindigkeit EIN und lassen Sie die Haube einige Minuten nachlaufen, wenn Sie mit dem Kochen fertig sind. Erhöhen Sie die Geschwindigkeit nur bei großen Mengen von Kochdunst und Dampf und benutzen Sie die Intensivstufe(n) nur bei extremen Situationen. Wechseln Sie die Kohlefilter, wenn notwendig, um eine gute Geruchsreduzierung zu gewährleisten. Säubern Sie die Fettfilter, wenn notwendig, um eine gute Fettfilterungseffizienz zu gewährleisten. Verwenden Sie den in der Gebrauchsanweisung angegebenen größten Durchmesser des Luftaustrittssystems, um die Leistungsfähigkeit zu optimieren und die Geräuschentwicklung zu minimieren.



# BETRIEBSSTÖRUNGEN

Wenn etwas nicht zu funktionieren scheint, folgende Kontrollen durchführen, bevor der Kundendienst gerufen wird:

- Wenn die Abzugshaube nicht funktioniert:  
Prüfen, ob:
  - ein Stromausfall vorliegt.
  - eine Geschwindigkeit gewählt wurde.
- Wenn die Leistung der Abzugshaube mangelhaft ist:  
Prüfen, ob:
  - die gewählte Motorgeschwindigkeit für die freigesetzte Menge an Rauch und Dämpfen ausreicht.
  - die Küche ausreichend belüftet ist, um eine Luftansaugung zuzulassen.
  - der Kohlefilter verbraucht ist (bei Umluftversion).
- Wenn sich die Haube im Laufe des normalen Betriebs selbst ausgeschaltet hat.  
Prüfen, ob:
  - ein Stromausfall vorliegt.
  - die allpolige Trennvorrichtung ausgelöst wurde.

Die Dunstabzugshaube oder die Bedienelemente funktionieren nicht: Für mindestens 5 Sekunden die Stromversorgung der Dunstabzugshaube unterbrechen und dann die Haube erneut einschalten. Kann die Störung nicht behoben werden, kontaktieren Sie bitte den Kundendienst.

## TECHNISCHE DATEN

Höhe (cm)	Breite (cm)	Tiefe (cm)	Ø des Ablaufrohrs (cm)
 67-101,5	59,8 - 89,8	25	15
 77,5-101,5			

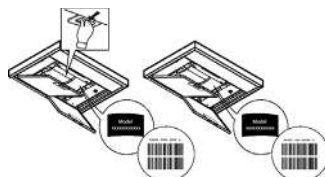


Teile, die nicht zum Lieferumfang des Produkts gehören



Sie können die **Sicherheitshinweise, Bedienungsanleitung, Technischen Daten und Energiedaten wie folgt herunterladen:**

- Besuchen Sie unsere Internetseite **[docs.bauknecht.eu](https://docs.bauknecht.eu)**
- Verwenden Sie den QR-Code
- Alternativ können Sie **unserer Kundendienst kontaktieren** (Siehe Telefonnummer in dem Garantieheft). Wird unser Kundendienst kontaktiert, bitte die Codes auf dem Typenschild des Produkts angeben.



## SÉCURITÉ GÉNÉRALE

- Avant tout entretien ou nettoyage du produit débranchez l'alimentation électrique en retirant la fiche électrique ou en coupant l'interrupteur général.
  - Utilisez des gants de travail pour toute opération de nettoyage ou d'entretien.
  - Cet appareil peut être utilisé par des enfants âgés d'au moins 8 ans et par des personnes ayant des capacités physiques, sensorielles ou mentales réduites ou dénuées d'expériences ou de connaissances, sauf si ces personnes sont correctement surveillées ou si des instructions relatives à l'utilisation correcte de l'appareil permettant d'éviter tout danger leur ont été communiquées.
  - Les enfants ne doivent pas jouer avec l'appareil.
  - Le nettoyage et l'entretien par l'utilisateur ne doivent pas être effectués par des enfants sans surveillance.
  - La pièce doit avoir une aération suffisante lorsque la hotte est utilisée conjointement avec d'autres appareils fonctionnant au gaz ou autres combustibles.
  - La hotte doit être régulièrement nettoyée à la fois à l'intérieur et à l'extérieur (AU MOINS UNE FOIS PAR MOIS); cela devrait se faire en conformité avec les instructions d'entretien. Le non respect des instructions expressément fournies concernant le nettoyage de la hotte et des filtres peut provoquer des risques d'incendie.
  - Ne pas flamber d'aliments sous la hotte.
  - Pour le remplacement de la lampe, utilisez uniquement le type de lampe spécifié dans la section remplacement/maintenance lampe dans ce manuel.
- L'utilisation d'une flamme nue est dommageable pour les filtres et peut causer un incendie, par conséquent, il est déconseillé de l'utiliser.
- La friture doit être faite avec soin afin de s'assurer que l'huile surchauffée ne prenne pas feu.
- AVERTISSEMENT:** Lorsque la table de cuisson est en fonctionnement, les parties accessibles de la hotte peuvent devenir très chaudes.
- Ne pas brancher l'appareil au réseau électrique avant que l'installation ne soit complètement terminée.
  - En ce qui concerne les mesures techniques et de sécurité à prendre pour l'évacuation des fumées, respectez strictement les dispositions des règlements locaux.
  - L'air ne doit pas être envoyé dans un conduit utilisé pour évacuer les fumées d'appareils utilisant du gaz ou un autre combustible.
- ▲ ATTENTION !** Le défaut d'installer les vis et les dispositifs de fixation conformément à ces instructions peut entraîner des risques électriques.
- Ne pas utiliser ou laisser la hotte sans les lampes correctement montées, car un éventuel risque de choc électrique est possible.
  - N'utilisez jamais la hotte sans la grille montée correctement!
  - La hotte ne doit JAMAIS être utilisée comme une surface d'appui, sauf indication expresse.
  - Utilisez uniquement les vis de fixation fournies avec le produit pour l'installation, ou, si

non fournies, acheter le type correct de vis.

- Utilisez la longueur correcte pour les vis qui sont identifiées dans le Guide d'installation.

- En cas de doute, consultez votre centre de service agréé ou du personnel qualifié.

**⚠ ATTENTION !** Ne pas mettre en marche au moyen d'un programmeur, d'une minuterie, ou d'un système de commande à distance séparé ou tout autre dispositif qui met l'appareil sous tension automatiquement.

Les enfants de moins de 3 ans ne doivent pas s'approcher de l'appareil. Sans la surveillance constante d'un adulte, garder l'appareil hors de la portée des enfants de moins de 8 ans.

**⚠ ATTENTION :** l'appareil ne peut être mis en marche par le biais d'un dispositif externe ou d'un système de commande à distance séparé.

**⚠** Cet appareil n'est pas destiné à un usage professionnel. Ne pas utiliser l'appareil à l'extérieur.

**⚠** Pour éviter le risque de lésions personnelles, l'appareil doit être déplacé et installé par deux ou plusieurs personnes.

**⚠** L'installation, comprenant éventuellement aussi les raccords pour l'alimentation hydriques (si prévus) et les branchements électriques, et les interventions de réparation doivent être effectués par un personnel qualifié.

Après avoir complété l'installation, conserver le matériel d'emballage (plastique, polystyrène, etc.) hors de la portée des enfants pour éviter le risque d'étouffement.

Ne jamais utiliser l'appareil pieds nus ou mouillés.

Ne jamais utiliser d'appareils de nettoyage à vapeur pour éviter le risque de choc électrique.

Comme indiqué par le symbole, le matériel d'emballage est 100 % recyclable 

**La hotte peut avoir des configurations esthétiques différentes par rapport à ce qui est illustré dans les dessins de ce manuel, cependant les instructions pour l'utilisation, l'entretien et l'installation restent identiques.**

**Suivre impérativement les instructions de cette notice.** Le constructeur décline toute responsabilité pour tous les inconvénients, dommages ou incendies provoqués à l'appareil et dus à la non observation des instructions de la présente notice. Cet appareil est destiné à être utilisé dans des applications domestiques et analogues telles que : - des coins cuisines réservés au personnel dans des magasins, bureaux et autres environnements professionnels ; - des fermes ; - l'utilisation par les clients des hôtels, motels et autres environnements à caractère résidentiel ; - des environnements du type chambre d'hôtes.

- Il est important de conserver ce livret pour pouvoir le consulter à tout moment. En cas de vente, de cession ou de déménagement, assurez-vous que la notice d'utilisation l'accompagne.
- Veuillez lire attentivement les instructions, vous trouverez des informations importantes sur l'installation, le mode d'emploi et la sécurité.
- Ne pas effectuer des modifications électriques ou mécaniques sur le produit ou sur les conduits d'évacuation.
- Avant d'installer l'appareil, vérifiez qu'il n'y a aucun composant endommagé. Sinon, contactez votre revendeur et ne continuez pas l'installation.

- La distance minimum entre la superficie de support des récipients sur le dispositif de cuisson et la partie la plus basse de la hotte de cuisine ne doit pas être inférieure à 45cm dans le cas de cuisinières électriques et de 65 cm dans le cas de cuisinières à gaz ou mixtes.

Si les instructions d'installation du dispositif de cuisson au gaz spécifient une plus grande distance, il faut en tenir compte.

## **BRANCHEMENT ÉLECTRIQUE**

La tension électrique doit correspondre à la tension reportée sur la plaque signalétique située à l'intérieur de la hotte. Si une prise est présente, branchez la hotte dans une prise murale conforme aux normes en vigueur et placée dans une zone accessible

également après l'installation. Si aucune prise n'est présente (raccordement direct au circuit électrique), ou si la prise ne se trouve pas dans une zone accessible également après l'installation, appliquez un disjoncteur normalisé pour assurer de débrancher complètement la hotte du circuit électrique en conditions de catégorie surtension III, conformément aux réglementations de montage.


**▲ ATTENTION!** Avant de rebrancher le circuit de la hotte à l'alimentation électrique et d'en vérifier le fonctionnement correct, contrôlez toujours que le câble d'alimentation soit monté correctement.

Si le câble n'est pas équipé d'une fiche, branchez les fils selon le tableau suivant:

#### Tension principale et fréquence

Se référer à la valeur indiquée sur l'étiquette des caractéristiques à l'intérieur de la hotte.

#### Branchements des fils

 : jaune/vert  
N : bleu  
L : brun

### Changement du câble d'alimentation

La hotte est pourvue d'un câble d'alimentation spécial; en cas de détérioration du câble, en demander un neuf au service d'assistance technique.

## ÉVACUATION DE L'AIR

(pour les versions aspirantes)

Relier la hotte aux tubes et trous d'évacuation de la paroi d'un diamètre équivalent à la sortie de l'air (collier de raccord).

L'utilisation de tubes et des trous d'évacuation à paroi avec un diamètre inférieur entraînera une diminution des performances d'aspiration et une nette augmentation du bruit.

Nous déclinons toute responsabilité à cet égard.

- ! Utiliser un tuyau de la longueur strictement nécessaire.
- ! Les coudes du tuyau doivent être en nombre minimale (angle maxi du coude: 90°).
- ! Éviter les variations excessives de section du tuyau.
- ! La société décline toute responsabilité si ces normes ne sont pas respectées.

## FILTRANTE OU ASPIRANTE ?

! Votre hotte est prête pour être utilisée en version aspirante.

Pour utiliser la hotte en version filtrante, il faut installer le KIT ACCESSOIRES prévu.

Vérifier dans les premières pages de ce manuel si le KIT ACCESSOIRES est déjà fourni ou s'il faut l'acheter à part.

**Remarque:** Si fourni dans le kit, dans certains cas, le système de filtration supplémentaire à base de charbon actif pourrait déjà être installé dans la hotte.

Les informations pour la transformation de la hotte de version aspirante à version filtrante sont déjà contenues dans ce manuel.

### Version aspirante

Les vapeurs sont évacuées vers l'extérieur à travers un conduit d'évacuation fixé à la bride de raccord qui se trouve au-dessus de la hotte.

## ▲ ATTENTION!

Le tuyau d'évacuation n'est pas fourni et doit être acheté à part.

Le diamètre du tuyau d'évacuation doit être égal à celui de la bride de raccord.

## **⚠ ATTENTION!**

Si la hotte est équipée d'un filtre à charbon, ce dernier doit être enlevé.

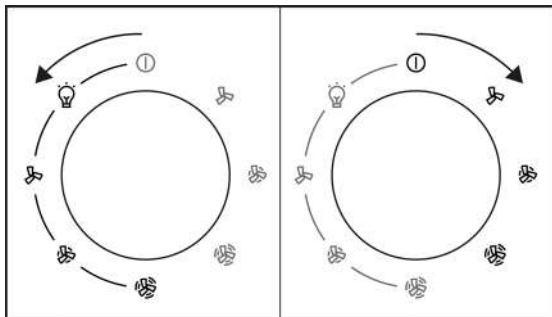
### **Version filtrante**

L'air d'aspiration sera dégraissé et désodorisé avant d'être renvoyé dans la pièce.

Pour utiliser la hotte dans cette version, vous devez installer un système de filtrage supplémentaire basé sur charbon actif.


## **COMMANDES**

La hotte est équipée d'un panneau de contrôle doté d'une commande de vitesse d'aspiration et d'une commande d'éclairage du plan de cuisson.



 **Lumière ON**

 **OFF**

 **Vitesse 1 Lumière ON**

 **Vitesse 1 Lumière OFF**

 **Vitesse 2 Lumière ON**

 **Vitesse 2 Lumière OFF**

 **Vitesse 3 Lumière ON**

 **Vitesse 3 Lumière OFF**



# ENTRETIEN

## Nettoyage

Pour le nettoyage, utiliser **EXCLUSIVEMENT** un chiffon humidifié avec des détergent liquides neutres. **NE PAS UTILISER D'OUTILS OU D'INSTRUMENTS POUR LE NETTOYAGE !** Éviter l'usage de produits abrasifs, **NE PAS UTILISER D'ALCOOL!**

## Panneau d'aspiration périmétral

Nettoyer le panneau d'aspiration périmétral à la même fréquence que le filtre anti-graisses, utiliser un chiffon et un détergent liquide pas trop concentré. Ne jamais utiliser de substances abrasives.

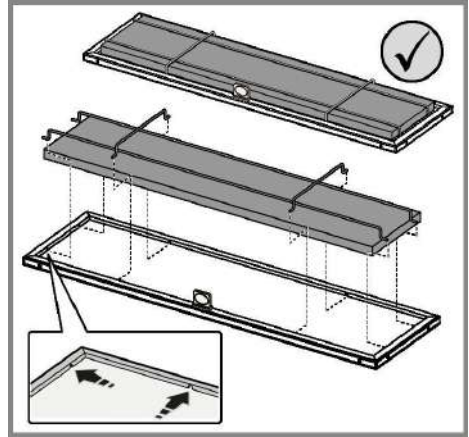
## Entretien des filtres anti-graisses

Il retient les particules de graisse issues de la cuisson.

Le **filtre anti-graisse métallique** doit être nettoyé une fois par mois avec des détergents non agressifs, à la main ou dans le lave-vaisselle à faibles températures et cycle rapide.

Le lavage du filtre anti-graisse métallique au lave-vaisselle peut en provoquer la décoloration. Toutefois, les caractéristiques de filtrage ne seront en aucun cas modifiées.

Pour démonter le filtre anti-graisse, tirer la poignée de décrochement à ressort.



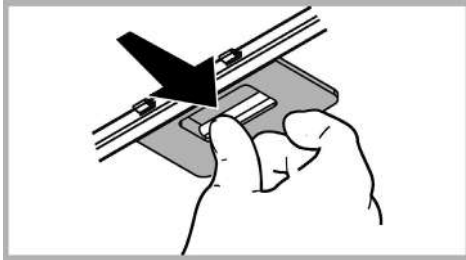
## Filtre au charbon circulaire

En appliquant un par côté en couverture des deux grilles de protection des bras du moteur, ensuite tourner dans le sens des aiguilles d'une montre.

Pour le démontage tourner dans le sens inverse des aiguilles d'une montre.

La saturation du **charbon actif** se constate après un emploi plus ou moins long, selon la fréquence d'utilisation et la régularité du nettoyage du filtre à graisses. Il est nécessaire de changer le filtre après quatre mois, au maximum.

IL NE PEUT PAS être nettoyé ou régénéré.



## Entretien des filtres au charbon

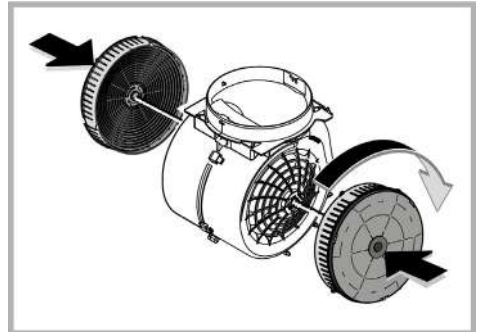
Retient les odeurs désagréables de cuisson.

### Filtre à tapis (fourni avec le produit)

Le filtre à charbon peut être nettoyé tous les deux mois (ou lorsque le système d'indication de saturation des filtres – si prévu sur le modèle possédé – indique cette nécessité) avec de l'eau chaude et au moyen de détergents appropriés ou dans le lave-vaisselle à 65°C (dans le cas de lavage dans le lave-vaisselle suivre un cycle de lavage complet sans vaisselle à l'intérieur).

Enlever l'eau qui excède en faisant attention de ne pas abîmer le filtre, ensuite le mettre dans le four pendant 10 minutes à 100°C pour le sécher définitivement. Remplacer le coussinet tous les 3 ans et chaque fois que le filtre sera abîmé.

Le filtre à tapis peut être remplacé par le Filtre à charbon circulaire.



## Remplacement des lampes

La hotte est dotée d'un système d'éclairage basé sur la technologie LED.

Les LEDS garantissent un éclairage optimal, une durée jusqu'à 10 fois supérieures aux ampoules traditionnelles et permettent une épargne de 90% en énergie électrique.


Le système d'éclairage ne peut pas être remplacé par l'utilisateur ; en cas de dysfonctionnement, contacter le service d'assistance.

## ÉLIMINATION

Cet appareil porte le symbole du recyclage conformément à la Directive Européenne 2012/19/EC - UK SI 2013 No.3113 concernant les Déchets d'Équipements Électriques et Électroniques (DEEE ou WEEE).

En procédant correctement à la mise au rebut de cet appareil, vous contribuerez à empêcher toute conséquence nuisible pour l'environnement et la santé de l'homme.



Le symbole  présent sur l'appareil ou sur la documentation qui l'accompagne indique que ce produit ne peut en aucun cas être traité comme déchet ménager. Il doit par conséquent être remis à un centre de collecte des déchets chargé du recyclage des équipements électriques et électroniques.

Pour la mise au rebut, respectez les normes relatives à l'élimination des déchets en vigueur dans le pays d'installation.

Pour obtenir de plus amples détails au sujet du traitement, de la récupération et du recyclage de cet appareil, veuillez vous adresser au bureau compétent de votre commune, à la société de collecte des déchets ou directement à votre revendeur.

Appareil conçu, testé et fabriqué conformément aux normes suivantes :

- Sécurité : EN/IEC 60335-1; EN/IEC 60335-2-31, EN/IEC 62233.
- Performances : EN/IEC 61591; ISO 5167-1; ISO 5167-3; ISO 5168; EN/IEC 60704-1; EN/IEC 60704-2-13; EN/IEC 60704-3; ISO 3741; EN 50564; IEC 62301.
- EMC: EN 55014-1; CISPR 14-1; EN 55014-2; CISPR 14-2; EN/IEC 61000-3-2; EN/IEC 61000-3-3. Suggestions pour une utilisation correcte afin de réduire l'impact environnemental : Allumer la hotte à la vitesse minimum pendant la cuisson et la laisser fonctionner pendant quelques minutes après la fin de la cuisson. Augmenter la vitesse uniquement en présence d'une grande quantité de fumée ou de vapeur et n'utiliser la/les vitesse(s) accélérées que dans les cas extrêmes. Remplacer le(s) filtre(s) au charbon lorsque cela est nécessaire afin de maintenir une réduction efficace des odeurs. Nettoyer le(s) filtres à graisse lorsque cela est nécessaire afin de maintenir un filtrage efficace des graisses. Utiliser un système de tuyauterie du diamètre maximum indiqué dans ce manuel afin d'optimiser le rendement et de minimiser le bruit.



## ANOMALIES DE FONCTIONNEMENT

En cas d'anomalie de fonctionnement, avant de faire appel au service d'assistance, effectuer les contrôles suivants:

- Si la hotte ne fonctionne pas:  
S'assurer:
  - de l'absence de coupure de courant.
  - qu'une vitesse a été sélectionnée.
- Si la hotte a un faible rendement:  
S'assurer:
  - que la vitesse du moteur sélectionnée est suffisante pour la quantité de fumée et de vapeurs libérées.
  - que la cuisine est insuffisamment aérée pour assurer une prise d'air.
  - que le filtre à charbon n'est pas usé (hotte en version filtrante).
- Si la hotte s'éteint durant son fonctionnement normal:  
S'assurer:
  - de l'absence de coupure de courant.
  - que le dispositif d'interruption omnipolaire ne s'est pas déclenché.

Si la hotte ne fonctionne pas correctement, débranchez la prise pendant environ 5 secondes, puis rebranchez-la. Si le problème persiste, contactez le service de réparation compétent.

# DONNÉES TECHNIQUE

Hauteur (cm)	Largeur (cm)	Profondeur (cm)	Ø de tube d'évacuation (cm)
 67-101,5	59,8 - 89,8	25	15
 77,5-101,5			

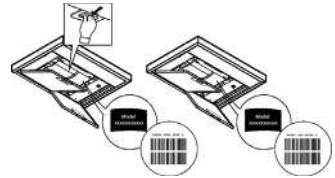


Éléments non fournis avec la hotte



**Vous pouvez télécharger les consignes de sécurité, le manuel de l'utilisateur, la fiche produit et les données énergétiques en :**

- Visitant notre site internet [docs.bauknecht..eu](http://docs.bauknecht..eu)
- Utilisant le Code QR
- Vous pouvez également **contacter notre service après-vente** (voir numéro de téléphone dans le livret de garantie). Lorsque vous contactez notre Service Après-vente, veuillez indiquer les codes visibles sur la plaque signalétique de l'appareil.



## ALGEMENE VEILIGHEID

- Zorg voordat u de afzuigkap schoonmaakt of onderhoudt eerst dat hij geen stroom heeft door de stekker uit het stopcontact te halen, de tweepolige schakelaar uit te zetten of de betreffende elektriciteitsgroep geheel uit te schakelen.
  - Draag tijdens installatie en onderhoud altijd werkhandschoenen.
  - Dit apparaat is geschikt voor bediening door kinderen vanaf 8 jaar, personen met lichamelijke, zintuiglijke of verstandelijke beperkingen, onervaren personen en degenen die over onvoldoende kennis beschikken, onder voorwaarde dat ze hierbij eerst worden begeleid en geïnstrueerd over veilig gebruik en bediening van het apparaat, en voldoende inzicht hebben in de bijbehorende gevaren.
  - Laat kinderen niet aan de knoppen zitten of met het apparaat spelen.
  - Schoonmaken en onderhoud door kinderen van voor de gebruiker toegankelijke onderdelen mag alleen onder toezicht van een volwassene.
  - Wanneer de afzuigkap wordt gebruikt voor apparaten die op gas of een andere brandstof werken, moet de ruimte waar de apparaten zijn geïnstalleerd voldoende worden geventileerd.
  - De afzuigkap moet regelmatig van binnen en van buiten worden schoongemaakt (MINSTENS 1 KEER PER MAAND).
  - Hierbij moeten de verstrekte onderhoudsinstructies worden opgevolgd. Als de verstrekte instructies voor het reinigen van de afzuigkap en de filters niet worden opgevolgd, ontstaat de kans op brand.
  - U mag niets flamberen onder de afzuigkap.
  - Vervang de lampen uitsluitend door het type dat staat aangegeven onder "Onderhoud > Lampjes vervangen" van deze gids.
- Blootstellen aan vlammen is slecht voor de filters en kan tot brand leiden. Dit moet dus onder alle omstandigheden worden vermeden. Werk bij bakken en braden dus extra zorgvuldig en zorg dat vet of olie niet oververhit raakt en in brand vliegt.
- LET OP: het is mogelijk dat toegankelijke onderdelen van de afzuigkap heet worden tijdens het afvoeren van kookdampen.
- Sluit het apparaat niet op het lichtnet aan voordat de installatie is voltooid.
  - Bij technische maatregelen en veiligheidsmaatregelen voor installaties die kookdampen afvoeren, is het belangrijk dat de lokale wet- en regelgeving nauwkeurig wordt gevolgd.
  - De afgezogen lucht mag niet worden afgevoerd naar een uitvoer voor dampen van apparaten die op gas of andere brandstoffen werken.
- ▲ WAARSCHUWING!** Wanneer niet de in deze instructies vermelde schroeven worden gebruikt of als het apparaat niet volgens deze instructies wordt bevestigd, kunnen elektrische risico's ontstaan.
- Zorg dat de lamp op de juiste manier is geplaatst omdat anders de kans ontstaat op elektrische schokken, zelfs als de kap niet wordt gebruikt.
  - Gebruik de afzuigkap nooit zonder op de juiste manier geplaatste roosters.

- Laat **NOOIT** andere zaken op de afzuigkap rusten, tenzij specifiek aangegeven.
- Gebruik voor de installatie alleen de meegeleverde schroeven, of koop schroeven van het juiste type.
- Raadpleeg de installatiegids voor de correcte afmetingen van de schroeven.
- Raadpleeg bij twijfel een geautoriseerd service center of iemand met vergelijkbare kwalificaties.

**▲ WAARSCHUWING!** Sluit het product niet aan op een (programmeerbare) timer, externe afstandsbediening of ander apparaat waardoor het product automatisch wordt ingeschakeld.

Houd kinderen jonger dan 3 jaar uit de buurt van het apparaat. Zonder het voortdurende toezicht van een volwassene moeten kinderen jonger dan 8 jaar uit de buurt van het apparaat gehouden worden.

**▲ OPGELET:** het apparaat is niet bedoeld om in werking te worden gesteld door middel van een extern apparaat of een afzonderlijk afstandsbedieningssysteem.

**▲** Dit apparaat is niet bedoeld voor een professioneel gebruik. Gebruik het apparaat niet in de open lucht.

**▲** Om het risico op persoonlijk letsel te voorkomen, moet het apparaat verplaatst en geïnstalleerd worden door twee of meer personen.

**▲** De installatie, waaronder ook de eventuele aansluiting op de watervoorziening (indien voorzien) en de elektrische aansluitingen, evenals de reparatie-ingrepen moeten worden uitgevoerd door gekwalificeerd personeel.

Na het voltooiën van de installatie moet het verpakkingsmateriaal (plastic, polystyreen, enz.) buiten het bereik van kinderen bewaard worden om verstikkingsgevaar te voorkomen. .

Gebruik het apparaat niet wanneer u nat bent of op blote voeten.

Gebruik voor de reiniging nooit stoomreinigers - gevaar voor elektrische schokken.



Het verpakkingsmateriaal is 100% recycleerbaar en is gemarkeerd met het betreffende symbool

**De afzuigkap kan er anders uitzien dan de afbeeldingen in dit boekje. De instructies voor bediening, onderhoud en installatie blijven echter hetzelfde.**

**Houd u altijd aan de instructies in deze gids.** Wij aanvaarden geen enkele aansprakelijkheid voor problemen, schade of brand die voortvloeien uit nalatigheid, zoals het niet opvolgen van de instructies in deze gids. Dit apparaat is bedoeld voor huishoudelijk gebruik en vergelijkbare toepassingen zoals: - personeelskeukens in winkels, kantoren en andere werkomgevingen; - boerderijen; - gebruik door klanten in hotels, motels en andere verblijfsomgevingen zoals bed and breakfast.

- Het is belangrijk om dit boekje goed te bewaren zodat u er altijd dingen in kan opzoeken. Zorg dat het boekje bij verhuizing, verkoop of overdracht met het apparaat meegaat.
- Lees de instructies zorgvuldig: het gaat hier om belangrijke informatie over installatie, bediening, onderhoud en veiligheid.
- Voer nooit zelf elektrische of mechanische veranderingen uit op het product of de afvoerbuizen.
- Controleer alle onderdelen op beschadigingen voordat u verder gaat met de installatie van het apparaat. Neem bij beschadiging contact op met uw leverancier, en begin niet aan de installatie.

• De minimale afstand tussen het kookoppervlak en de onderkant van de afzuigkap is 45cm bij een elektrische kookplaat en 65 cm, in geval van een gas- of gemengd fornuis. Als in de installatie-instructies van een gaskookplaat een grotere afstand wordt genoemd, moet de grotere afstand worden gebruikt.

## **ELEKTRISCHE AANSLUITING**

De aansluiting op het lichtnet moet overeenkomen met de waarde op het plaatje aan de binnenkant van de afzuigkap. Als de afzuigkap een stekker heeft, moet deze in een stopcontact dat aan de nieuwste regelgeving voldoet en ook na de installatie bereikbaar

blijft. Als het product geen stekker heeft (rechtstreekse aansluiting op lichtnet), of als de stekker na de installatie niet meer bereikbaar is, moet gebruik worden gemaakt van een tweepolige aan/uitschakelaar, zodat het product (bijvoorbeeld bij een te hoge stroomsterkte, categorie III) geheel kan worden losgekoppeld van het lichtnet.


**⚠ WAARSCHUWING!** Controleer eerst of het netsnoer correct is gemonteerd voordat de afzuigkap op het lichtnet wordt aangesloten om de juiste werking te controleren.

Als de kabel niet is voorzien van een stekker, sluit u de kabels aan overeenkomstig de volgende tabel:

#### Spanning en frequentie net

Verwijs naar de waarde aangegeven op het typeplaatje dat is aangebracht in de afzuigkap.

#### Aansluiting draden

 : geel/groen  
N : blauw  
L : bruin

## Vervanging van de voeding

De afzuigkap wordt geleverd met een speciaal netsnoer. Als dit snoer beschadigd is, moet u een nieuw exemplaar aanvragen bij de technische dienst.

## LUCHTAFVOER

(afzuigend apparaat)

Sluit de afzuigkap aan op een buis met dezelfde doorsnede als de luchtafvoer van de kap (aansluitflens). Deze diameter geldt ook voor eventuele doorvoeropeningen voor de afvoerbuis.

Een doorvoeropening en/of buis met een kleinere doorsnede verlaagt de zuigkracht en leidt tot een enorme toename van de geluidsproductie.

Wij aanvaarden in dit verband dan ook geen enkele verantwoordelijkheid.

• Houd de buis zo kort mogelijk.

• Gebruik zo weinig mogelijk elleboogkoppelingen (maximale hoek hiervan: 90°).

• Vermijd grote variaties in de doorsnede van de afvoerbuis.

! Het bedrijf wijst iedere aansprakelijkheid af indien deze voorschriften niet in acht worden genomen.

## FILTEREND OF AFZUIGEND APPARAAT ?

! Uw afzuigkap is ingesteld om als afzuigend apparaat te worden gebruikt.

Om de kap als filterend apparaat te gebruiken dient de betreffende TOEBEHOREN SET gemonteerd te worden.

Controleer op de eerste pagina's van deze handleiding of de TOEBEHOREN SET wordt meegeleverd of gekocht moet worden.

**Opmerking:** Indien de set meegeleverd wordt, kan, in enkele gevallen, het extra actieve koolstoffilter reeds op de kap gemonteerd zijn.

De inlichtingen om de kap van afzuigend apparaat in filterend apparaat om te zetten zijn in deze handleiding te vinden.

## Uitvoering als afzuigend apparaat

Hierbij wordt de afgevoerde lucht uit het pand gevoerd via een speciaal hiervoor geconstrueerde buis die gekoppeld is aan de aansluiting aan de bovenkant van de afzuigkap.

### **⚠ LET OP!**

De afvoerbuis wordt niet meegeleverd en moet afzonderlijk worden aangeschaft. De afvoerbuis moet dezelfde doorsnede hebben als de aansluiting.

### **⚠ LET OP!**

Als de afzuigkap is geleverd met een actief koolfilter, moet dit worden verwijderd.

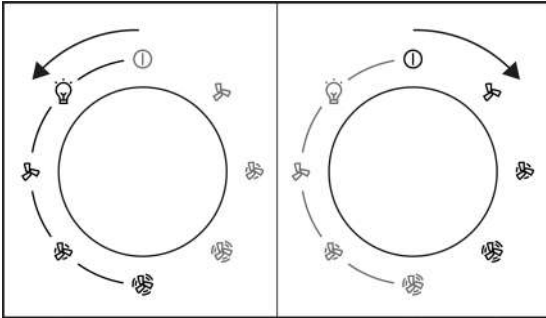
## Filtrerende versie

De verwijderde lucht wordt ontvet en ontgeurd en vervolgens weer teruggeleid naar de betreffende ruimte.

Om de afzuigkap in deze vorm te gebruiken, moet een extra filtersysteem op basis van geactiveerde kool zijn geïnstalleerd.

# BEDIENINGSELEMENTEN

De kap is voorzien van een bedieningspaneel met een schakelaar voor de snelheid van afzuiging en een schakelaar voor de verlichting van het fornuis.



 ..Licht AAN

 UIT

 Snelheid 1 Licht AAN

 Snelheid 1 Licht UIT

 Snelheid 2 Licht AAN

 Snelheid 2 Licht UIT

 Snelheid 3 Licht AAN

 Snelheid 3 Licht UIT

# ONDERHOUD

## Schoonmaak

ALLEEN reinigen met een doek die is bevochtigd met een neutraal vloeibaar schoonmaakmiddel. **GEBRUIK BIJ HET REINIGEN GEEN GEREEDSCHAPPEN OF ANDERE VOORWERPEN.** Gebruik geen schuurmiddelen. **GEBRUIK GEEN ALCOHOL!**

## Paneel voor de omtrek zuiging

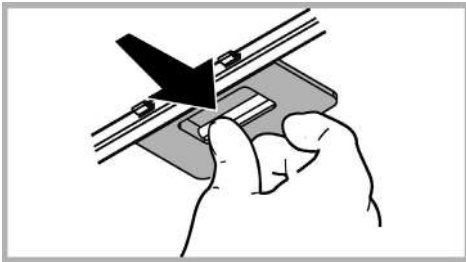
Reinig het paneel voor de omtrek zuiging even vaak als het vetfilter, gebruik een doek en een niet te geconcentreerd vloeibaar reinigingsmiddel. Gebruik geen producten die schuurmiddelen bevatten.

## Onderhoud van de vetfilters

### Vangt vetdeeltjes op uit de kookdampen.

Het **vetfilter** moet iedere maand worden gereinigd met een niet-agressief reinigingsmiddel, met de hand of in de vaatwasser. Zet de vaatwasser hierbij op de laagste temperatuur en het kortste programma. In de vaatwasser kan het vetfilter wat verkleuren. Dit heeft echter geen invloed op de filterwerking.

Trek aan de verende hendel om het vetfilter te verwijderen.



## Onderhoud van het koolstoffilter

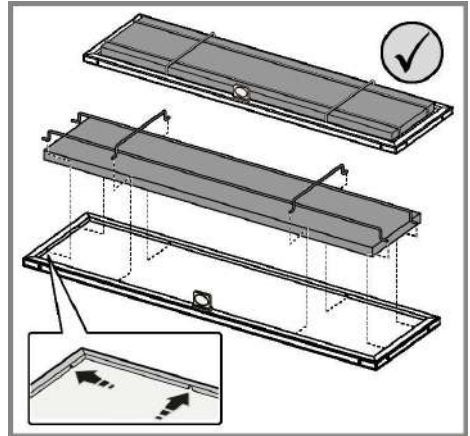
Absorbeert ongewenste kookgeurtjes. Filtermat (bij het product geleverd)

Het koolstoffilter kan om de twee maanden gewassen worden (of als de filter verzadiging indicatie – indien aanwezig op het model in Uw bezit – deze noodzaak aangeeft) in warm water met een hiervoor geschikt wasmiddel, of in de vaatwasser op 65°C (in het geval van het reinigen in de vaatwasser, een complete wascyclus gebruiken en geen andere vaat in de machine).

Verwijder het overtollige water zonder het filter te beschadigen, daarna het matje 10 minuten lang in de oven op 100°C doen om het goed te drogen.

Vervang het matje minimaal om de 3 jaar of indien het beschadigd is.

De filtermat kan vervangen worden door het circulaire koolstoffilter.



## Rond koolstoffilter

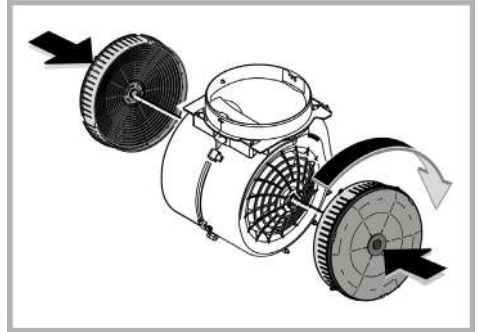
Plaats aan allebei de kanten van de aanzuigmotor een koolstoffilter over de beschermroosters en draai ze met de klok mee vast.

Om de filters te demonteren, draait u ze tegen de klok in.

Wanneer het koolfilter enige tijd is gebruikt, raakt het verzadigd, afhankelijk van welk type voedsel wordt bereid en hoe vaak het vetfilter wordt schoongemaakt.

De cartridge moet in ieder geval na vier maanden gebruik worden vervangen.

Het koolfilter mag **NIET** worden gewassen of geregenereerd.



## Vervanging lampjes

De verlichting van de afzuigkap maakt gebruik van LED-technologie.

Dankzij de LEDS bent u verzekerd van optimale verlichting, een levensduur tot 10 keer zo lang als gewone lampen en een energiebesparing tot 90%.

Het verlichtingssysteem kan niet door de gebruiker vervangen worden: neem in geval van storingen contact op met de servicedienst.




## VERWIJDERING

Dit toestel is gemarkeerd in overeenstemming met Europese richtlijn 2012/19/EC - UK SI 2013 No.3113 betreffende afgedankte elektrische en elektronische apparatuur (AEEA).

Zorg aan het einde van de levensduur van het apparaat dat het op de juiste manier wordt afgevoerd en verwerkt. Zo voorkomt u negatieve gevolgen voor volksgezondheid en milieu.



Het pictogram  op het product en/of in de bijbehorende documenten geeft aan dat dit apparaat niet als normaal huishoudelijk afval mag worden behandeld. Het product dient te worden afgegeven bij een officieel innamepunt voor elektrische en elektronische apparatuur om gerecycled te worden. Afvoer en verwerking moet worden uitgevoerd volgens plaatselijke milieu-regelgeving. Neem voor nadere informatie over inzamelen, verwerken en recyclen van dit product contact op met de betreffende afdeling van de lokale overheid, of de afdeling van uw leverancier die verantwoordelijkheid draagt voor afvalverwerking.

Toestel ontworpen, getest en gefabriceerd volgens:

- Veiligheid: EN/IEC 60335-1; EN/IEC 60335-2-31, EN/IEC 62233.
- Prestaties: EN/IEC 61591; ISO 5167-1; ISO 5167-3; ISO 5168; EN/IEC 60704-1; EN/IEC 60704-2-13; EN/IEC 60704-3; ISO 3741; EN 50564; IEC 62301.
- EMC: EN 55014-1; CISPR 14-1; EN 55014-2; CISPR 14-2; EN/IEC 61000-3-2; EN/IEC 61000-3-3. Suggesties voor correct gebruik om impact op het milieu te verkleinen: zet de afzuigkap aan op de laagste snelheid wanneer u gaat koken en laat hem na afloop nog een paar minuten doorlopen. Kies alleen een hogere snelheid bij grote hoeveelheden damp of rook en gebruik de hoge snelheid/snelheden (Boost) alleen voor extreme omstandigheden. Vervang tijdig de koolfilter(s) om de afzuiging van kookgeurtjes zo effectief mogelijk te houden. Vervang tijdig vefilter(s) om de gevolgen van vetafzetting zo effectief mogelijk tegen te gaan. Gebruik buizen van de maximale doorsnede zoals vermeld in deze gids, voor optimale efficiëntie en minimale geluidsproductie.



## STORINGEN

Bij een storing van de afzuigkap, voer de volgende controles uit alvorens de Technische Dienst te raadplegen:

- Als de afzuigkap niet functioneert:  
Controleer of: Controleer dat:
  - er geen stroomonderbreking is.
  - er een snelheid is geselecteerd.
- Bij een laag rendement van de afzuigkap:  
Controleer of: Controleer dat:
  - de ingestelde snelheid volstaat voor de afgegeven hoeveelheid rook en dampen.
  - de keuken is voldoende geventileerd voor een correcte luchttoevoer.
  - de koolstoffilter niet is verzadigd (i.g.v. recirculatie).
- het uitvallen van de afzuigkap tijdens de normale werking heeft plaatsgevonden.  
Controleer of: Controleer dat:
  - er geen stroomonderbreking is.
  - de omnipolaire schakelaar niet is opgetreden.

In geval van storingen, voordat U zich tot de assistentie service wendt, minstens 5 seconden het apparaat van de elektrische voeding doen, door de stekker uit te trekken, en daarna weer invoeren. In het geval dat de storing blijft voortbestaan, wendt U zich tot de assistentie service.

## TECHNISCHE GEGEVENS

Højde (cm)	Bredde (cm)	Dybde (cm)	Ø på udsugningsrør (cm)
 67-101,5	59,8 - 89,8	25	15
 77,5-101,5			

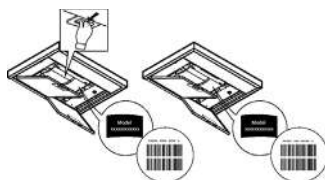


Niet meegeleverde onderdelen



U kunt de Veiligheidsinstructies, de Handleiding, de Productfiche en de Energiegegevens downloaden:

- Op onze website [docs.bauknecht.eu](https://docs.bauknecht.eu)
- Gebruik makend van de QR-code
- Anders, **contacteer onze Klantenservice** (Het telefoonnummer staat in het garantieboekje). Wanneer u contact neemt met de Klantenservice, gelieve de codes te vermelden die op het identificatieplaatje van het apparaat staan.



## SICUREZZA GENERALE

- Prima di qualsiasi operazione di pulizia o manutenzione, disinserire la cappa dalla rete elettrica togliendo la spina o staccando l'interruttore generale dell'abitazione.
  - Per tutte le operazioni di installazione e manutenzione utilizzare guanti da lavoro.
  - L'apparecchio può essere utilizzato da bambini di età non inferiore a 8 anni e da persone con ridotte capacità fisiche, sensoriali o mentali, o prive di esperienza o della necessaria conoscenza, purché sotto sorveglianza oppure dopo che le stesse abbiano ricevuto istruzioni relative all'uso sicuro dell'apparecchio e alla comprensione dei pericoli ad esso inerenti.
  - I bambini devono essere controllati affinché non giochino con l'apparecchio.
  - La pulizia e la manutenzione non deve essere effettuata da bambini senza sorveglianza.
  - Il locale deve disporre di sufficiente ventilazione, quando la cappa da cucina viene utilizzata contemporaneamente ad altri apparecchi a combustione di gas o altri combustibili.
  - La cappa va frequentemente pulita sia internamente che esternamente (ALMENO UNA VOLTA AL MESE), rispettare comunque quanto espressamente indicato nelle istruzioni di manutenzione. L'inosservanza delle norme di pulizia della cappa e della sostituzione e pulizia dei filtri comporta rischi di incendi.
  - E' severamente vietato fare cibi alla fiamma sotto la cappa.
  - Per la sostituzione della lampada utilizzare solo il tipo lampada indicato nella sezione manutenzione /sostituzione lampada di questo manuale.
- L'impiego di fiamma libera è dannoso ai filtri e può dar luogo ad incendi, pertanto deve essere evitato in ogni caso.
- La frittura deve essere fatta sotto controllo onde evitare che l'olio surriscaldato prenda fuoco.
- ATTENZIONE:** Quando il piano di cottura è in funzione le parti accessibili della cappa possono diventare calde.
- Non collegare l'apparecchio alla rete elettrica finché l'installazione non è totalmente completata.
  - Per quanto riguarda le misure tecniche e di sicurezza da adottare per lo scarico dei fumi attenersi strettamente a quanto previsto dai regolamenti delle autorità locali competenti.
  - L'aria aspirata non deve essere convogliata in un condotto usato per lo scarico dei fumi prodotti da apparecchi a combustione di gas o di altri combustibili.
- ▲ AVVERTENZA!** La mancata installazione di viti e dispositivi di fissaggio in conformità di queste istruzioni può comportare rischi di natura elettrica.
- Non utilizzare o lasciare la cappa priva di lampade correttamente montate per possibile rischio di scossa elettrica.
  - Mai utilizzare la cappa senza griglia correttamente montata!
  - La cappa non va MAI utilizzata come piano di appoggio a meno che non sia espressamente indicato.

- Utilizzare solo le viti di fissaggio in dotazione con il prodotto per l'installazione o, se non in dotazione, acquistare il tipo di viti corretto.
- Utilizzare la lunghezza corretta per le viti che sono identificati nella Guida all'installazione.
- In caso di dubbio, consultare il centro di assistenza autorizzato o personale qualificato similare.

**⚠ ATTENZIONE!** Non utilizzare con un programmatore, timer, telecomando separato o qualsiasi altro dispositivo che si attiva automaticamente.

Tenere i bambini di età inferiore a 3 anni lontani dall'apparecchio. Senza la sorveglianza costante di un adulto, tenere l'apparecchio fuori dalla portata dei bambini di età inferiore a 8 anni.

**⚠ ATTENZIONE:** l'apparecchio non è destinato ad essere messo in funzione mediante un dispositivo esterno o un sistema di comando a distanza separato.

**⚠** Questo apparecchio non è destinato all'uso professionale. Non utilizzare l'apparecchio all'aperto.

**⚠** Per evitare il rischio di lesioni personali, l'apparecchio deve essere movimentato e installato da due o più persone.

**⚠** L'installazione, comprendente anche eventuali raccordi per l'alimentazione idrica (se previsti) e i collegamenti elettrici, e gli interventi di riparazione devono essere eseguiti da personale qualificato.

A installazione completata, conservare il materiale di imballaggio (parti in plastica, polistirolo, ecc.) fuori della portata dei bambini per evitare il rischio di soffocamento.

Non utilizzare l'apparecchio quando si è bagnati oppure a piedi nudi.

Mai utilizzare apparecchi per pulizia a vapore – rischio di shock elettrico.



Il materiale dell'imballo è riciclabile al 100% ed è contrassegnato con il simbolo del riciclo

**La cappa può avere estetiche differenti rispetto a quanto illustrato nei disegni di questo libretto, comunque le istruzioni per l'uso, la manutenzione e l'installazione rimangono le stesse.**

**Attenersi strettamente alle istruzioni riportate in questo manuale.** Si declina ogni responsabilità per eventuali inconvenienti, danni o incendi provocati all'apparecchio derivati dall'inosservanza delle istruzioni riportate in questo manuale. La cappa è concepita per l'aspirazione dei fumi e vapori della cottura ed è destinata al solo uso domestico.

- E' importante conservare tutti i manuali che accompagnano il prodotto per poterli consultare in ogni momento. In caso di vendita, di cessione o di trasloco, assicurarsi che restino insieme al prodotto.
- Leggere attentamente le istruzioni: ci sono importanti informazioni sull'installazione, sull'uso e sulla sicurezza.
- Non effettuare variazioni elettriche o meccaniche sul prodotto o sulle condotte di scarico.
- Verificare l'integrità della cappa prima di procedere con l'installazione. In caso contrario contattare il rivenditore e non proseguire con l'installazione.

• La distanza minima fra la superficie di supporto dei recipienti sul dispositivo di cottura e la parte più bassa della cappa da cucina deve essere non inferiore a 45 cm in caso di cucine elettriche e di 65 cm in caso di cucine a gas o miste.

Se le istruzioni di installazione del dispositivo di cottura a gas specificano una distanza maggiore, bisogna tenerne conto.

## COLLEGAMENTO ELETTRICO

La tensione di rete deve corrispondere alla tensione riportata sull'etichetta caratteristiche situata all'interno della cappa. Se provvista di spina allacciare la cappa ad una presa conforme alle norme vigenti posta in zona accessibile anche dopo l'installazione. Se sprovvista di spina (collegamento diretto alla rete) o la spina non è posta in zona accessibile, anche dopo installazione, applicare un interruttore bipolare a norma che assicuri la disconnessione completa della rete nelle condizioni della

categoria di sovratensione III, conformemente alle regole di installazione.


**⚠ ATTENZIONE!** Prima di ricollegare il circuito della cappa all'alimentazione di rete e di verificarne il corretto funzionamento, controllare sempre che il cavo di rete sia stato montato correttamente.

Se il cavo non è provvisto di spina, collegare i fili attenendosi alla tabella seguente:

#### Tensione e frequenza della rete

Fare riferimento al valore indicato nella etichetta caratteristiche all'interno della cappa.

#### Collegamento fili

 : giallo/verde  
N : blu  
L : marrone

### Sostituzione del cavo di alimentazione

La cappa è provvista di un cavo alimentazione speciale; in caso di danneggiamento del cavo, richiederlo al servizio assistenza tecnica.

## SCARICO DELL'ARIA

(per le versioni aspiranti)

Collegare la cappa a tubi e fori di scarico a parete con diametro equivalente all'uscita d'aria (flangia di raccordo).

L'utilizzo di tubi e fori di scarico a parete con diametro inferiore determinerà una diminuzione delle prestazioni di aspirazione ed un drastico aumento della rumorosità.

Si declina perciò ogni responsabilità in merito.

- ! Usare un condotto lungo il minimo indispensabile.
- ! Usare un condotto con minor numero di curve possibile (angolo massimo della curva: 90°).
- ! Evitare cambiamenti drastici di sezione del condotto.
- ! L'azienda declina ogni responsabilità qualora queste norme non vengano rispettate.

## FILTRANTE O ASPIRANTE?

! La vostra cappa è pronta per essere utilizzata in versione aspirante.

Per utilizzare la cappa in versione filtrante va installato l'apposito KIT ACCESSORIO.

Verificate nelle prime pagine di questo manuale se il KIT ACCESSORIO è già fornito a corredo o va acquistato a parte.

**Nota:** Se fornito a corredo, in alcuni casi, il sistema di filtraggio aggiuntivo a base di carboni attivi potrebbe essere già installato sulla cappa.

Le informazioni per la trasformazione della cappa da versione aspirante a versione filtrante sono già contenute in questo manuale.

### Versione aspirante

I vapori vengono evacuati verso l'esterno tramite un tubo di scarico fissato alla flangia di raccordo.

#### **⚠ ATTENZIONE!**

Il tubo di evacuazione non è fornito e va acquistato.

Il diametro del tubo di scarico deve essere equivalente al diametro dell'anello di connessione.

#### **⚠ ATTENZIONE!**

Se la cappa è provvista di filtro/i a carbone, questo/i deve/devono essere rimosso/i.

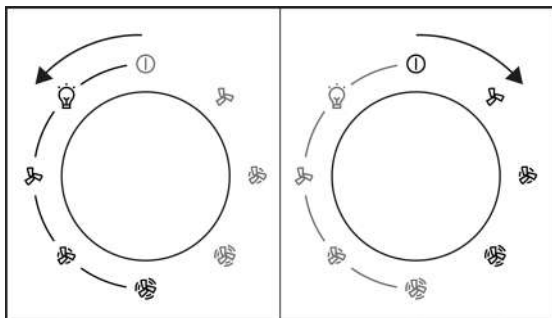
### Versione filtrante

L'aria aspirata verrà sgrassata e deodorata prima di essere riconvogliata nella stanza. Per utilizzare la cappa in questa versione è necessario installare un sistema di filtraggio aggiuntivo a base di carboni attivi.

## COMANDI


La cappa è fornita di un pannello comandi con un controllo delle velocità di aspirazione ed un controllo di accensione della luce per


l'illuminazione del piano di cottura.



 Luce ON

 OFF

 Velocità 1 - Luce ON

 Velocità 1 - Luce OFF

 Velocità 2 - Luce ON

 Velocità 2 - Luce OFF

 Velocità 3 - Luce ON

 Velocità 3 - Luce OFF

# MANUTENZIONE

## Pulizia

Per la pulizia usare **ESCLUSIVAMENTE** un panno inumidito con detersivi liquidi neutri. **NON UTILIZZARE UTENSILI O STRUMENTI PER LA PULIZIA!** Evitare l'uso di prodotti contenenti abrasivi. **NON UTILIZZARE ALCOOL!**

## Pannello di aspirazione perimetrale

Pulire il pannello di aspirazione perimetrale con la stessa frequenza del filtro antigrasso, usare un panno ed un detergente liquido non troppo concentrato. Non utilizzare mai sostanze abrasive.

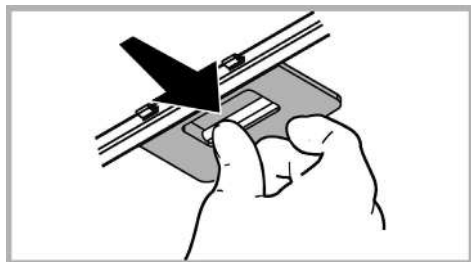
## Manutenzione dei filtri antigrasso

**Trattiene le particelle di grasso derivanti dalla cottura.**

Il **filtro antigrasso metallico** deve essere pulito una volta al mese con detersivi non aggressivi, manualmente oppure in lavastoviglie a basse temperature ed a ciclo breve.

Con il lavaggio in lavastoviglie il filtro antigrasso metallico può scolorirsi ma le sue caratteristiche di filtraggio non cambiano assolutamente.

Per smontare il filtro grassi tirare la maniglia di sgancio a molla.



## Manutenzione del filtro al carbone

**Trattiene gli odori sgradevoli derivanti dalla cottura.**

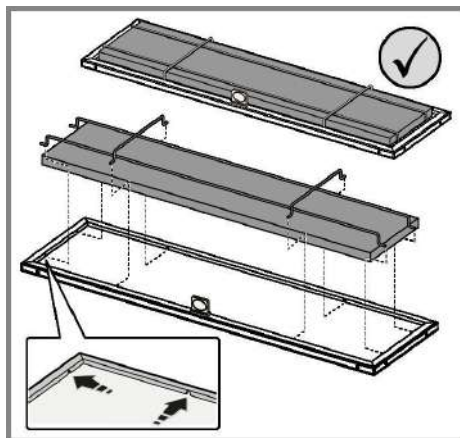
**Filtro a materassino (in dotazione con il prodotto)**

Il filtro al carbone può essere lavato ogni due mesi (o quando il sistema di indicazione di saturazione dei filtri - se previsto sul modello in possesso - indica questa necessità) in acqua calda e detersivi idonei o in lavastoviglie a 65°C (in caso di lavaggio in lavastoviglie eseguire il ciclo di lavaggio completo senza stoviglie all'interno).

Togliere l'acqua in eccesso senza rovinare il filtro, dopodiché riporlo nel forno per 10 minuti a 100°C per asciugarlo definitivamente.

Sostituire il materassino ogni 3 anni e ogni volta che il panno risulta danneggiato.

Il filtro a materassino può essere sostituito con il Filtro carbone circolare.

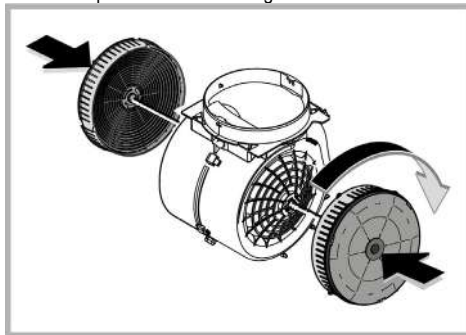


## Filtro al carbone circolare

Applicarne uno per lato a copertura di entrambe le griglie di protezione della girante del motore, dopodiché girare in senso orario.

Per lo smontaggio girare in senso antiorario.

La saturazione del **filtro carbone** si verifica dopo un uso più o meno prolungato a seconda del tipo di cucina e della regolarità della pulizia del filtro grassi. In ogni caso è necessario sostituire la cartuccia al massimo ogni quattro mesi. **NON** può essere lavato o rigenerato.



## Sostituzione delle lampade

La cappa è dotata di un sistema di illuminazione basato sulla tecnologia LED.


I LED garantiscono una illuminazione ottimale, una durata fino a 10 volte maggiore delle lampade tradizionali e consentono di risparmiare il 90% di energia elettrica.

Il sistema di illuminazione non è sostituibile dall'utente, in caso di malfunzionamenti contattare il servizio assistenza.

## SMALTIMENTO

Questo apparecchio è contrassegnato in conformità alla Direttiva Europea 2012/19/EC - UK SI 2013 No.3113, Waste Electrical and Electronic Equipment (WEEE). Assicurandosi che questo prodotto sia smaltito in modo corretto, l'utente contribuisce a prevenire le potenziali conseguenze negative per l'ambiente e la salute.



Il simbolo  sul prodotto o sulla documentazione di accompagnamento indica che questo prodotto non deve essere trattato come rifiuto domestico ma deve essere consegnato presso l'idoneo punto di raccolta per il riciclaggio di apparecchiature elettriche ed elettroniche. Disfarsene seguendo le normative locali per lo smaltimento dei rifiuti. Per ulteriori informazioni sul trattamento, recupero e riciclaggio di questo prodotto, contattare l'idoneo ufficio locale, il servizio di raccolta dei rifiuti domestici o il negozio presso il quale il prodotto è stato acquistato.

Apparecchiatura progettata, testata e realizzata nel rispetto delle norme sulla:

- Sicurezza: EN/IEC 60335-1; EN/IEC 60335-2-31, EN/IEC 62233.
- Prestazione: EN/IEC 61591; ISO 5167-1; ISO 5167-3; ISO 5168; EN/IEC 60704-1; EN/IEC 60704-2-13; EN/IEC 60704-3; ISO 3741; EN 50564; IEC 62301.
- EMC: EN 55014-1; CISPR 14-1; EN 55014-2; CISPR 14-2; EN/IEC 61000-3-2; EN/IEC 61000-3-3. Suggestioni per un corretto utilizzo al fine di ridurre l'impatto ambientale: Quando iniziate a cucinare, accendere la cappa alla velocità minima, lasciandola accesa per alcuni minuti anche dopo il termine della cottura. Aumentare la velocità solo in caso di grandi quantità di fumo e vapore, utilizzando la funzione booster solo in casi estremi. Per mantenere ben efficiente il sistema di riduzione degli odori, sostituire, quando è necessario, il/i filtro/i carbone. Per mantenere ben efficiente il filtro del grasso, pulirlo in caso di necessità. Per ottimizzare l'efficienza e minimizzare i rumori, utilizzare il diametro massimo del sistema di canalizzazione indicato in questo manuale.

## ANOMALIE DI FUNZIONAMENTO



Se qualcosa non sembra funzionare, prima di chiamare il Servizio Assistenza effettuare i seguenti semplici controlli:

- Se la cappa non funziona:  
Verificare che:
  - non c'è interruzione di corrente.
  - è stata selezionata una velocità.
- Se la cappa ha un rendimento scarso:  
Verificare che:
  - La velocità motore selezionata è sufficiente per la quantità di fumo e di vapori liberata.
  - La cucina è sufficientemente areata per permettere una presa d'aria.
  - Il filtro carbone non è consumato (cappa in versione filtrante).
- Se la cappa si è spenta nel corso del normale funzionamento:  
Verificare che:
  - non c'è interruzione di corrente.
  - il dispositivo di interruzione omnipolare non è scattato.

In caso di eventuali anomalie di funzionamento, prima di rivolgerVi al servizio assistenza scollegate per almeno 5 sec. l'apparecchio dall'alimentazione elettrica estraendo la spina e collegatelo poi nuovamente. Nel caso in cui l'anomalia di funzionamento dovesse perdurare, rivolgersi al servizio d'assistenza.



## DATI TECNICI

Altezza (cm)	Larghezza (cm)	Profondità (cm)	Ø del tubodi scarico (cm)
 67-101,5	59,8 - 89,8	25	15
 77,5-101,5			

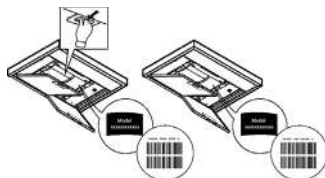


Componenti non in dotazione con il prodotto



Per scaricare le istruzioni di sicurezza, il manuale d'uso, la scheda tecnica e i dati energetici:

- Visitare il sito web [docs.bauknecht.eu](http://docs.bauknecht.eu)
- Usare il codice QR
- Oppure, **contattare il Servizio Assistenza** (al numero di telefono riportato sul libretto di garanzia). Quando si contatta il Servizio Assistenza, fornire i codici presenti sulla targhetta matricola del prodotto.



## SEGURIDAD GENERAL

- Antes de llevar a cabo cualquier operación de limpieza o mantenimiento, desconectar la campana de la alimentación eléctrica desenchufando la clavija o desconectando el interruptor general de la vivienda.
  - Para todas las operaciones de instalación y mantenimiento utilizar los guantes de trabajo.
  - El aparato puede ser usado por niños mayores a 8 años y por personas con discapacidades físicas, sensoriales o mentales, o con falta de experiencia o de conocimiento necesario, previsto que estén bajo vigilancia o después de que las mismas hayan recibido instrucción relacionada con el uso seguro del aparato y de la comprensión de los peligros inherentes a éste.
  - Los niños deben ser supervisados para asegurarse de que no jueguen con el aparato.
  - La limpieza y el mantenimiento no deben ser realizados por niños sin debida supervisión.
  - La habitación debe estar suficientemente ventilada cuando la campana se utiliza contemporáneamente con otros dispositivos a combustión de gas u otros combustibles.
  - La campana debe ser limpiada con frecuencia, tanto internamente como externamente (POR LO MENOS UNA VEZ AL MES), en todo caso seguir lo que se indica expresamente en las instrucciones de mantenimiento.
  - La inobservancia de las normas de limpieza de la campana y del cambio y la limpieza puede comportar riesgo de incendios.
  - Es estrictamente prohibido flamear los alimentos bajo la campana.
  - Para la sustitución de la lámpara sólo utilizar el tipo de lámpara indicado en la sección de mantenimiento/sustitución de este manual.
- El uso de una llama libre es perjudicial para los filtros y puede provocar incendios, por lo tanto, debe evitarse en cualquier caso.
- Las frituras deben realizarse con cuidado para evitar que el aceite caliente prenda fuego.
- ATENCIÓN:** Cuando la placa de cocción está funcionando las partes accesibles de la campana pueden calentarse.
- No conectar la unidad a la red eléctrica hasta que la instalación sea totalmente completada.
  - En cuanto a las medidas técnicas y de seguridad a adoptar para la descarga de los humos, seguir estrictamente lo previsto por los reglamentos de las autoridades locales competentes.
  - El aire aspirado no debe ser transportado en un conducto usado para la descarga de humos producidos por dispositivos de combustión a gas u otros combustibles.
- ▲ ¡ATENCIÓN!** Si no se instalan los tornillos y elementos de fijación de acuerdo con estas instrucciones se puede incurrir en riesgos de naturaleza eléctricos.
- No utilizar ni dejar la campana sin las luces correctamente instaladas debido al posible riesgo de descarga eléctrica.

- No utilizar nunca la campana sin la rejilla montada correctamente!
- La campana NUNCA debe utilizarse como una superficie de apoyo a menos que así se indique específicamente.
- Utilizar sólo los tornillos para fijación suministrados con el producto para su instalación, o, si no se suministran, comprar el tipo correcto de tornillos. Utilizar la longitud correcta para los tornillos que se identifican en la Guía de instalación.
- En caso de duda, consultar el centro de asistencia autorizado o un similar personal calificado.

**⚠ ¡ATENCIÓN!** No utilizar con un programador, temporizador, mando a distancia separado o cualquier otro dispositivo que se active automáticamente.

Mantener a los niños menores de 3 años alejados del equipo. Sin la vigilancia constante de un adulto, mantener el equipo alejado del alcance de niños menores de 8 años.

**⚠ ATENCIÓN:** el equipo no está destinado para ser puesto en funcionamiento mediante un dispositivo externo o un sistema de mando a distancia separado.

**⚠** Este equipo no está destinado al uso profesional. No utilizar el equipo al abierto.

**⚠** Para evitar el riesgo de lesiones personales, el equipo debe ser movilizado e instalado por dos o más personas.

**⚠** La instalación, incluye además eventuales empalmes para la alimentación hídrica (si están previstos) y las conexiones eléctricas, y las intervenciones de reparación deben ser realizadas por personal cualificado.

Al finalizar la instalación, conservar el material de embalaje (partes en plástico, poliestireno, etc.) fuera del alcance de los niños para evitar el riesgo de asfixia.

No utilizar el equipo cuando se está mojado o descalzo.

Nunca utilizar equipos para limpieza a vapor – riesgo de descarga eléctrica.

El material del embalaje es reciclable al 100% y está marcado con el símbolo de reciclaje



**La campana puede ser diferente con respecto a los dibujos de este manual, aunque las instrucciones para su uso, la manutención y la instalación son las mismas.**

**Aténgase estrictamente a las instrucciones del presente manual.** Se declina cada responsabilidad por eventuales inconvenientes, daños o incendios provocados al aparato originados por la inobservancia de las instrucciones colocadas en este manual. La campana extractora ha sido ideada para la aspiración de humos y vapores producidos durante la cocción y para el uso doméstico.

- Es importante guardar este manual para poder consultar si fuera necesario. En el caso de venta, de inutilidad o de mudanza, asegurarse que quede junto al producto.
- Leer atentamente las instrucciones: contiene importantes informaciones sobre la instalación, el uso y la seguridad.
- No realizar variaciones eléctricas o mecánicas en el producto o en el tubo de escape.
- Antes de instalar el aparato, controlar que todas sus partes no estén dañadas. En caso contrario llamar al revendedor y no realizar la instalación.

• La distancia mínima entre la superficie de cocción y la parte más baja de la campana no debe ser inferior a 45cm en el caso de cocinas eléctricas y de 65cm en el caso de cocinas a gas o mixtas. Si las instrucciones para la instalación del dispositivo para cocinar con gas especifican una distancia mayor, hay que tenerlo en consideración.

## CONEXIÓN ELÉCTRICA

La tensión de red debe corresponder con la tensión indicada en la etiqueta colocada en el interior de la campana. Si es suministrada con un enchufe, conectar la campana a un enchufe conforme a las normas en vigor y colocarlo en una zona accesible, aun

después de la instalación. Si no es suministrada con enchufe (conexión directa a la red) o clavija y no es posible situarla en un lugar accesible, aun después de la instalación, colocar un interruptor bipolar de acuerdo con las normativas, para asegurarse la desconexión completa a la red en el caso de la categoría de alta tensión III, conforme con las reglas de instalación.

**▲ ATENCIÓN!** Antes de reconectar el circuito de la campana a la red y de verificar el correcto funcionamiento, controlar siempre que el cable de red fue montado correctamente.

Si el cable no dispone de enchufe, conecte los cables tal como indica la siguiente tabla:

#### Tensión y frecuencia de la red eléctrica

Consultar el valor indicado en la etiqueta de características dentro de la campana.

#### Conexión por cable



: amarillo/verde

N : azul

L : marrón

### Sustitución del cable de alimentación

La campana está provista de un cable de alimentación especial; si el cable se daña, solicite uno nuevo al Servicio de Asistencia Técnica.

## EXTRACCIÓN DE AIRE

(Para las versiones aspirantes) Conectar la campana en los tubos y en los orificios de escape de pared con diámetro equivalente a la salida del aire (brida de empalme).

El uso de tubos u orificios de escape de pared con diámetro inferior, determinará una reducción de los rendimientos de la aspiración y un drástico aumento del ruido.

Se deslinda responsabilidad.

- ! Utilice un conducto cuya longitud sea la mínima indispensable.
- ! Utilice un conducto con el menor número posible de curvas (ángulo máximo de la curva: 90°).
- ! Evite los cambios drásticos en la sección del conducto
- ! La empresa declina cada responsabilidad en caso de que estas normas no sean respetadas!

## ¿ FILTRANTE O ASPIRANTE ?

! Su campana extractora está lista para ser usada en versión aspirante.

Para utilizar la campana en versión filtrante se instala el KIT ACCESORIO.

Controle en las primeras paginas de este manual si el KIT ACCESORIO ya está proveído o si hay que comprarlo.

**Nota:** Si proveído, en algunos casos, el sistema de filtración añadido a base de carbones activos podría estar ya instalado en la campana.

Las informaciones para la transformación de la campana en versión aspirante a versión filtrante ya están presentes en este manual.

### Versión aspirante

El vapor es evacuado hacia el exterior a través de un tubo de escape introducido en el aro de sujeción que se encuentra arriba de la campana.

## ▲ ATENCIÓN!

El diámetro del tubo de escape debe ser igual al diámetro del aro de sujeción.

## ATENCIÓN!

Si la campana está provista de filtro de carbón, hay que sacarlo.

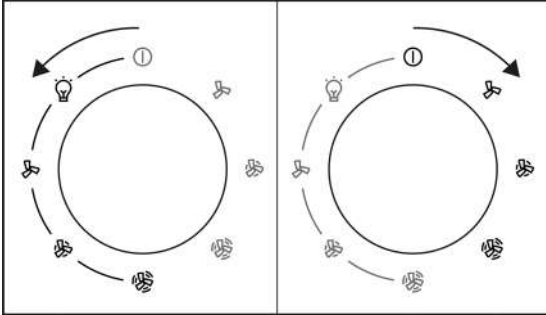
### Versión filtrante

El aire aspirado vendrá desgrasado y desodorizado antes de ser alimentado de nuevo en la habitación.

Para utilizar la campana en esta versión es necesario instalar un sistema de filtración adicional a base de carbón activado.


## MANDOS


La campana está dotada de un panel de mandos con control de las velocidades de aspiración y control de encendido de la luz para la iluminación del plano de cocción.




 Luz ON


 OFF

 Velocidad 1 Luz ON

 Velocidad 1 Luz OFF

 Velocidad 2 Luz ON

 Velocidad 2 Luz OFF

 Velocidad 3 Luz ON

 Velocidad 3 Luz OFF

# MANTENIMIENTO

## Limpieza

Para la limpieza, utilice **EXCLUSIVAMENTE** un paño impregnado de detergente líquido neutro. **¡NO UTILICE UTENSILIOS O INSTRUMENTOS PARA LA LIMPIEZA!** No utilice productos que contengan abrasivos. **¡NO UTILICE ALCOHOL!** **¡NO UTILICE DESINFECTANTES NI PRODUCTOS QUE CONTENGAN CLORO!**

### Panel de aspiración perimetral

Limpiar el panel de aspiración perimetral con la misma frecuencia del filtro antigrasas. Usar un paño y un detergente líquido no muy concentrado. No utilice sustancias abrasivas.

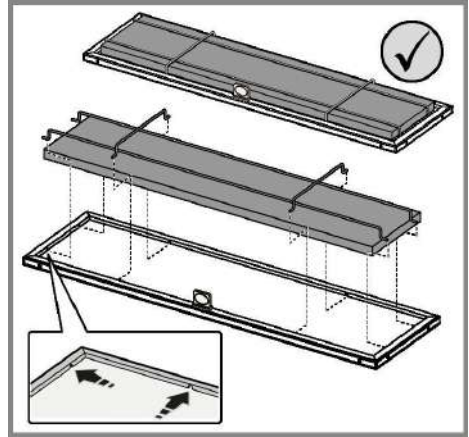
## Mantenimientos de los filtros antigrasa

Retiene las partículas de grasa producidas cuando se cocina.

El **filtro antigrasa metálico** debe limpiarse una vez al mes con detergentes no agresivos, manualmente o bien en lavavajillas a bajas temperaturas y con ciclo breve.

Con el lavado en el lavavajilla el filtro antigrasa metálico puede desteñirse pero sus características de filtrado no cambian absolutamente.

Para desmontar el filtro antigrasa, tirar de la manija de desenganche de muelle.



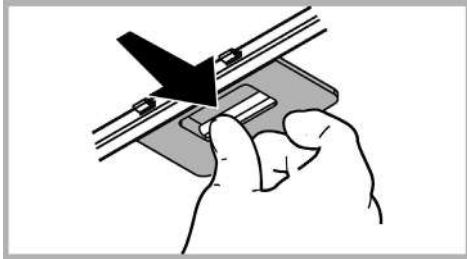
### Filtro de carbón circular

Aplicar uno por lado para cubrir ambas rejillas de protección del rotor del motor, después girar en sentido horario.

Para el desmontaje, girar en sentido antihorario.

La saturación del **carbón activado** ocurre después de más o menos tiempo de uso prolongado, dependiendo del tipo de cocina y de la regularidad de limpieza del filtro de grasa. En cualquier caso es necesario sustituir el cartucho al menos cada 4 meses.

NO puede lavarse o reciclarse.



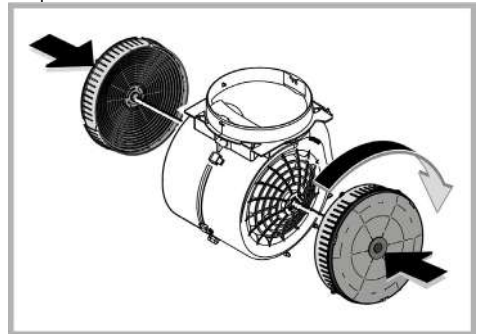
## Mantenimiento del filtro al carbón

Retiene los olores desagradables producidos por la cocción de alimentos.

**Filtro de colchón (suministrado con el producto)**

El filtro al carbón puede lavarse cada dos meses (o cuando el sistema de indicación de saturación de los filtros - si está previsto en el modelo que se posee - indica esta necesidad) con agua caliente y detergentes adecuados o en lavavajillas a 65°C ( en caso de lavado con lavavajillas, realice el ciclo de lavado completo sin platos en el interior.). Quite el agua que haya quedado en el filtro sin estropearlo, después póngalo en el horno a 100°C durante diez minutos para secarlo completamente. Cambie el almohadillado cada 3 años y cada vez que el paño se estropee.

El filtro de colchón puede ser sustituido con el Filtro de carbón circular.



## Sustitución de la lámpara

La campana viene provista de un sistema de iluminación basado en la tecnología LED.

Los LEDS garantizan una óptima iluminación, una duración hasta 10 veces mayor de las lámparas tradicionales y permiten ahorrar el 90% de energía eléctrica. .

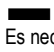
El sistema de iluminación no es sustituible por el usuario, en caso de mal funcionamiento póngase en contacto con el servicio de asistencia técnica.

# ELIMINACIÓN

Este aparato lleva el marcado CE en conformidad con la Directiva 2012/19/EC - UK SI 2013 No.3113 del Parlamento Europeo y del Consejo sobre residuos de aparatos eléctricos y electrónicos (RAEE).

La correcta eliminación de este producto evita consecuencias negativas para el medioambiente y la salud.



El símbolo  en el producto o en los documentos que se incluyen con el producto, indica que no se puede tratar como residuo doméstico. Es necesario entregarlo en un punto de recogida para reciclar aparatos eléctricos y electrónicos.

Deséchelo con arreglo a las normas medioambientales para eliminación de residuos.

Para obtener información más detallada sobre el tratamiento, recuperación y reciclaje de este producto, póngase en contacto con su Municipalidad, con el servicio de eliminación de residuos urbanos o la tienda donde adquirió el producto.

Aparato diseñado, probado y fabricado de acuerdo con:

- Seguridad: EN/IEC 60335-1; EN/IEC 60335-2-31, EN/IEC 62233.
- Prestación: EN/IEC 61591; ISO 5167-1; ISO 5167-3; ISO 5168; EN/IEC 60704-1; EN/IEC 60704-2-13; EN/IEC 60704-3; ISO 3741; EN 50564; IEC 62301.
- EMC: EN 55014-1; CISPR 14-1; EN 55014-2; CISPR 14-2; EN/IEC 61000-3-2; EN/IEC 61000-3-3. Sugerencias para un uso correcto con el fin de reducir el impacto ambiental: Encienda la campana a la velocidad mínima cuando empiece a cocinar y mantenga en marcha durante unos minutos después de haber acabado de cocinar. Aumente la velocidad solo si se produjera una gran cantidad de humo y vapor y use la velocidad o velocidades turbo solo en situaciones extremas. Cambie el filtro o filtros de carbón cuando sea necesario para mantener un buen rendimiento en la reducción de los olores. Limpie el filtro o filtros de grasa cuando sea necesario para mantener un buen rendimiento del filtro de grasa. Utilice el diámetro máximo del sistema de conductos indicado en este manual, para optimizar el rendimiento y minimizar el ruido.



## ANOMALÍAS DE FUNCIONAMIENTO

Si alguna pieza parece no funcionar, realice los siguientes controles antes de llamar al Servicio de Asistencia:

- Si la campana no funciona:  
Compruebe que:
  - no haya interrupciones de corriente.
  - se haya seleccionado una velocidad.
- Si la campana presenta un rendimiento escaso:  
Compruebe que:
  - La velocidad del motor seleccionada es suficiente para la cantidad de humo y vapores emitida.
  - La cocina está suficientemente ventilada para permitir una toma de aire.
  - el filtro de carbón no está gastado (campana en versión filtrante).
- Si la campana se ha apagado durante el funcionamiento normal:  
Compruebe que:
  - no haya interrupciones de corriente.
  - el dispositivo de interrupción omnipolar no se ha disparado.

En caso de eventuales anomalías en el funcionamiento, antes de dirigirse al servicio de asistencia, desconectar el aparato de la alimentación eléctrica, extrayendo el enchufe al menos durante 5 segundos, y después conectarlo nuevamente. Si la anomalía de funcionamiento no desaparece, dirigirse al servicio de asistencia.

# DATOS TÉCNICOS

Alto (cm)	Ancho (cm)	Fondo (cm)	Ø del tubo de salida (cm)
 67-101,5	59,8 - 89,8	25	15
 77,5-101,5			

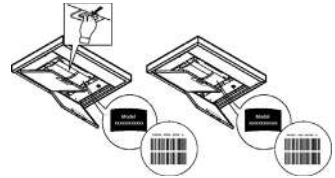


Componentes no suministrados con el producto



Puede descargarse las Instrucciones de seguridad, el Manual del usuario, la Ficha del producto y los Datos de energía:

- Visitando nuestra página web [docs.bauknecht.eu](http://docs.bauknecht.eu)
- Usando el código QR
- También puede, **ponerse en contacto con nuestro Servicio postventa** (Consulte el número de teléfono en el folleto de la garantía). Cuando se ponga en contacto con nuestro Servicio Postventa , deberá indicar los códigos que figuran en la placa de características de su producto.





## ОБЩИЕ ПРАВИЛА ТЕХНИКИ БЕЗОПАСНОСТИ

- Перед началом какой либо операции по чистке или обслуживанию, отключить вытяжку от электрической сети, вынимая вилку из розетки или отключая общий выключатель помещения. Для всех операций по установке и обслуживанию использовать рабочие перчатки.
- Прибор может быть использован детьми не младше 8 лет и лицами со сниженными физическими, сенсорными или умственными способностями, или же с недостаточным опытом, если находятся под контролем, или если были обучены использовать прибор безопасным образом и если понимают связанные с этим опасности.
- Дети должны быть под контролем и не должны играть с прибором.
- Операции по чистке и обслуживанию не должны проводиться детьми без надзора
- Помещение должно иметь достаточную вентиляцию, когда кухонная вытяжка используется одновременно с другими приборами, работающими на газе или других топливах.
- Вытяжка должна часто очищаться как внутри, так и снаружи (ХОТЯ БЫ ОДИН РАЗ В МЕСЯЦ), придерживаясь того, что указано в инструкциях по обслуживанию.
- Несоблюдение норм чистки вытяжки и замены и чистки фильтров увеличивает риск возгорания.

Строго запрещено приготовление еды на открытом огне под вытяжкой.

- Для замены лампочки освещения использовать только тип лампочки указанный в разделе обслуживания/замены лампочки этого руководства.

Использование открытого пламени наносит ущерб фильтрам и может привести к загораниям, поэтому должно избегаться в любом случае.

Жаренье должно проводиться под надзором, чтобы избежать возможности возгорания раскаленного подсолнечного масла.

**ВНИМАНИЕ:** Когда варочная поверхность работает, доступные части вытяжки могут нагреваться.

- Не подключать прибор к электрической сети до тех пор, пока установка полностью не закончена.

• То что касается технических мер и мер безопасности в применении до сброса паров строго придерживаться того что предусматривается по нормам локальных компетентных органов.

• Всасываемый воздух не должен выпускаться в трубу, используемую для выбросов дымов приборами, работающими на газе или других топливах.

**▲ ВНИМАНИЕ!** Неустановка соответствующих винтов и приспособлений для фиксирования в соответствии с этими инструкциями может привести к рискам электрического происхождения.

• Не использовать или оставлять вытяжку без лампочек правильно установленных с риском получить удар электрическим током.

• Никогда не использовать вытяжку без правильно установленной решётки!

- Вытяжка НИКОГДА не должна использоваться, как опорная поверхность, если только не указано иначе.
- Использовать только винты для фиксирования в комплекте с продуктом для установки или, если нет в комплекте, приобрести винты правильного типа.
- Использовать правильную длину винтов, указанную в руководстве по установке.
- В случае сомнений, консультироваться в авторизированном центре по обслуживанию или с квалифицированным персоналом.

**⚠ ВНИМАНИЕ!** Не используйте устройство с программатором, таймером, отдельным пультом дистанционного управления или любым другим устройством, которое включается автоматически.

Не подпускайте к прибору детей младше 3 лет. Без постоянного надзора со стороны взрослых к прибору нельзя допускать детей младше 8 лет.

**⚠ ВНИМАНИЕ:** прибор не предназначен для включения при помощи внешних устройств или отдельного дистанционного управления.

**⚠** Этот прибор не предназначен для профессионального применения. Не используйте прибор вне помещений.

**⚠** Во избежание травм, прибор должен перемещаться и устанавливаться силами не менее двух человек.

**⚠** Установка, включая подключение водопроводной сети (если такое предусмотрено) и электрические соединения, а также ремонтные операции, должны выполняться квалифицированными специалистами.

По завершении установки, храните упаковочные материалы (пластиковые, полистироловые детали и т.п.) в недоступном для детей месте во избежание инцидентов с удушьем.

Не пользуйтесь прибором, будучи мокрыми или с босыми ногами.

Никогда не применяйте прибор для чистки паром - риск удара электрическим током.

Упаковочный материал может на 100% использоваться вторично и маркирован соответствующим значком вторпереработки



**Вытяжка может иметь дизайн, отличающийся от вытяжки показанной на рисунках данного руководства, тем не менее, руководство по эксплуатации, техническое обслуживание и установка остаются те же.**

**Изделие хозяйственно-бытового назначения.** Производитель снимает с себя всякую ответственность за неполадки, ущерб или пожар, которые возникли при использовании прибора вследствие несоблюдения инструкций, приведенных в данном руководстве. Вытяжка служит для всасывания дыма и пара при приготовлении пищи и предназначена только для бытового использования.

- Очень важно сохранить эту инструкцию, чтобы можно было обратиться к ней в любой момент. Если изделие продается, передается или переносится обеспечить, чтобы инструкция всегда была с ним.
- Внимательно прочитайте инструкцию. В ней находится важная информация по установке, эксплуатации и безопасности.
- Запрещается выполнять изменения в электрической или механической части изделия или в трубах рассеивания.
- Перед началом установки оборудования убедитесь в целостности и сохранности всех компонентов. При наличии любых повреждений обратитесь к поставщику и ни в коем случае не начинайте монтаж оборудования.

• Расстояние нижней грани вытяжки над опорной плоскостью под сосуды на кухонной плите должно быть не менее 45см – для электрических плит, и не менее 65 см для газовых или комбинированных плит.

Если в инструкциях по установке газовой плиты оговорено большее расстояние, то учтите это.

## ЭЛЕКТРИЧЕСКОЕ СОЕДИНЕНИЕ

Напряжение сети должно соответствовать напряжению, указанному на табличке технических данных, которая размещена внутри прибора. Если вытяжка снабжена вилкой, подключите вытяжку к штепсельному разъему. Он должен отвечать действующим правилам и быть расположен в легкодоступном месте. Включить в розетку можно после установки. Если же вытяжка не снабжена вилкой (прямое подключения к сети), или штепсельный разъем не расположен в доступном месте, также и после установки, то используйте надлежащий двухполюсный выключатель, обеспечивающий полное размыкание сети при возникновении условий перенапряжения 3-ей категории, в соответствии с инструкциями по установке.

**▲ ВНИМАНИЕ!** прежде чем подключить к сети питания электрическую систему вытяжки и проверить исправное функционирование ее убедитесь в том, что кабель питания правильно смонтирован.

Если кабель не оснащен вилкой, подключите провод в соответствии со следующей таблицей:

#### Напряжение и частота сети

См. величины, указанные в наклейке с техническими характеристиками внутри колпака.

#### Цвет жилы



: желтый/зеленый

N : синий

L : коричневый

## Замена электрокабеля

Вытяжка имеет специальный кабель электропитания; в случае повреждения кабеля, необходимо заказать его в службе по техническому обслуживанию.

## ВЫБРОС ВОЗДУХА

(для исполнения с отводом воздуха)

Подсоедините вытяжку к выводной трубе с диаметром соответствующим отверстию выхода воздуха (соединительный фланец).

Установка труб с меньшим диаметром даст уменьшение мощности всасывания воздуха и резкое увеличение уровня шума.

Производитель снимает с себя всякую ответственность по отношению выше сказанного.

! Использовать трубу с минимально необходимой длиной.

! Использовать трубу с наименьшим количеством изгибов (максимальный угол изгиба: 90°).

! Избегать резкого изменения сечения трубы.

! Предприятие снимает с себя какую-либо ответственность если данные правила не выполняются.

## С РЕЦИРКУЛЯЦИЕЙ ИЛИ С ВЫВОДОМ ?

! Ваша вытяжка готова к использованию в режиме отвода.

Для того чтобы использовать вытяжку в режиме рециркуляции необходимо установить ДОПОЛНИТЕЛЬНЫЙ КОМПЛЕКТ.

Проверьте на первых страницах данного руководства, входит ли ДОПОЛНИТЕЛЬНЫЙ КОМПЛЕКТ в поставку или его необходимо приобрести отдельно.

**Примечание:** Если входит в поставку оборудования, в некоторых случаях, дополнительный комплект угольных фильтров может уже быть установлен на вытяжке.

Информация по переводу вытяжки из режима отвода в режим рециркуляции уже входит в данное руководство.

## Исполнение с рециркуляцией

В этом режиме испарения выводятся наружу через гибкий трубопровод, подсоединенный к соединительному кольцу.

**▲ ВНИМАНИЕ!**

Выводная труба не входит в комплект и должна быть приобретена отдельно.  
Диаметр выводной трубы должен соответствовать диаметру соединительного кольца.

## **ВНИМАНИЕ!**

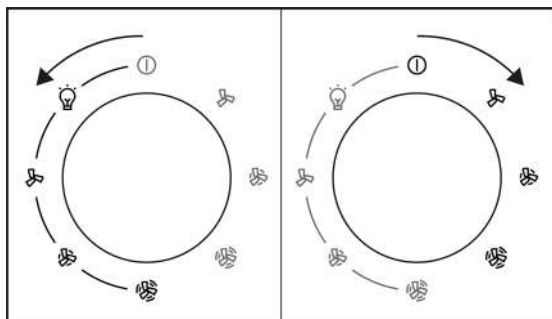
Если вытяжка снабжена угольным фильтром, то уберите его.

### **Исполнение с отводом воздуха**

Должен использоваться угольный фильтр, имеющийся в наличии у вашего дистрибутора. Втягиваемый воздух обезжиривается и дезодорируется перед тем, как вновь возвращается в помещение через верхнюю решетку.

## **КОМАНДЫ**

Вытяжка оснащена панелью управления для контроля скорости вытяжного вентилятора и включения света для освещения рабочей поверхности плиты.



 **Свет ON**

 **OFF**

 **Скорость 1 Свет ON**

 **Скорость 1 Свет OFF**

 **Скорость 2 Свет ON**

 **Скорость 2 Свет OFF**

 **Скорость 3 Свет ON**

 **Скорость 3 Свет OFF**

# ТЕХНИЧЕСКОЕ ОБСЛУЖИВАНИЕ

## Очистка

Для очистки используйте **ТОЛЬКО** специальную тряпку, смоченную нейтральным жидким моющим средством. **НЕ ИСПОЛЬЗУЙТЕ НИКАКИЕ ИНСТРУМЕНТЫ ДЛЯ ОЧИСТКИ.** Не применяйте средства, содержащие абразивные материалы. **НЕ ПРИМЕНЯЙТЕ СПИРТ!**

## Панель периметрального всасывания

Чистить всасывающую, наружную панель с той же частотой что и жировой фильтр, используя салфетку с не сильно концентрированным моющим средством. Ни когда не использовать абразивные вещества.

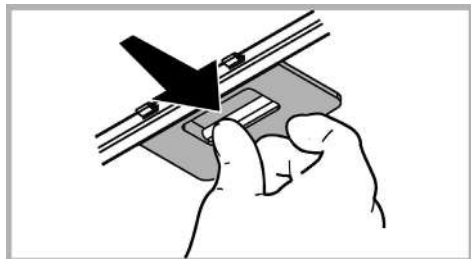
## Обслуживание жировых фильтров

Удерживает частицы жира, исходящие от плиты.

Фильтр следует чистить ежемесячно неагрессивными моющими средствами, вручную или в посудомоечной машине при низкой температуре и экономичном цикле мытья.

При мытье в посудомоечной машине может иметь место некоторое обесцвечивание жирового фильтра, но его фильтрующая характеристика остается абсолютно неизменной.

Для снятия жирового фильтра потяните к себе подпружиненную ручку отцепления фильтра.



## Обслуживание угольного фильтра

Удаляет неприятные запахи кухни.

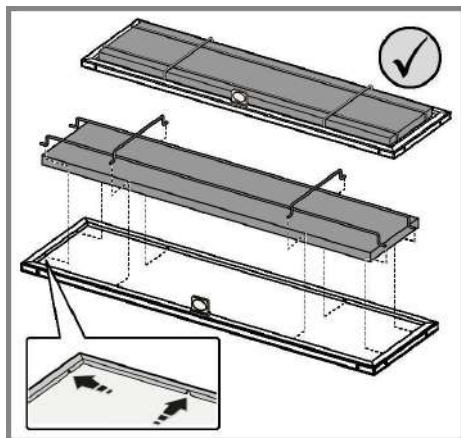
**Фильтр-прокладка (в комплекте с продуктом).**

Угольный фильтр можно промывать через каждые два месяца, или каждый раз, когда система сигнализации насыщения фильтров (если имеющаяся у Вас модель снабжена ею) указывает на эту необходимость. Мойте фильтр в теплой воде с надлежащими моющими средствами или в посудомоечной машине при температуре 65°C (в последнем случае, выполните полный цикл мойки без посуды внутри машины).

Удалите избыточную воду осторожно, чтобы не повредить фильтр, после чего дайте фильтру окончательно сохнуть в сушилке в течение 10 минут при температуре 100°C.

Заменяйте фильтровальный элемент через каждые 3 года и каждый раз, когда обнаруживается повреждение полотна.

Фильтр-прокладку можно заменять на круговой угольный фильтр.



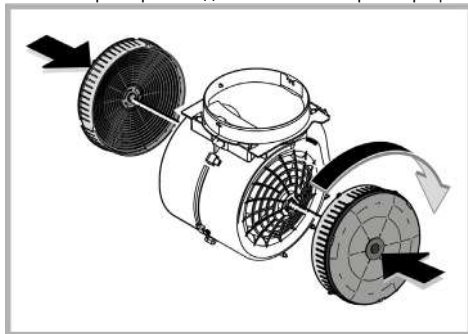
## Круглый угольный фильтр

Покрывать фильтрами обе стороны для зачехления защитных решеток ротора двигателя, после чего вращать фильтр по часовой стрелке.

Для снятия - вращать против часовой стрелки.

Насыщение угольного фильтра происходит по истечении более или менее длительного периода эксплуатации, предопределяемого типом кухни и периодичностью очистки жировых фильтров. В любом случае, замените картридж по крайней мере через каждые 4 месяца.

Угольный фильтр НЕ подлежит мойке или регенерации.



## Замена ламп

Вытяжка оборудована освещением на светодиодах LED. Светодиоды обеспечивают оптимальное освещение, их срок службы в 10 раз превышает срок работы традиционных лампочек, и позволяют экономить 90% электроэнергии.


Пользователь не может производить замену систему подсветки. В случае неполадок связывайтесь со службой технической поддержки.

## УТИЛИЗАЦИЯ

Данное изделие промаркировано в соответствии с Европейской директивой 2012/19/EC - UK SI 2013 No.3113 по утилизации электрического и электронного оборудования (WEEE).

Обеспечив правильную утилизацию данного изделия, Вы сможете предотвратить потенциальные негативные последствия для окружающей среды и здоровья человека.



Символ  на самом изделии или сопроводительной документации указывает, что при утилизации данного изделия с ним нельзя обращаться как с обычными бытовыми отходами. Вместо этого, его следует сдавать в соответствующий пункт приема электрического и электронного оборудования для последующей утилизации.

Сдача на слом должна производиться в соответствии с местными правилами по утилизации отходов.

За более подробной информацией о правилах обращения с такими изделиями, их утилизации и переработки обращайтесь в местные органы власти, в службу по утилизации отходов или в магазин, в котором Вы приобрели данное изделие.

Устройство разработано, испытано и изготовлено в соответствии с:

- Безопасность: EN/IEC 60335-1; EN/IEC 60335-2-31, EN/IEC 62233.
- Эксплуатационные характеристики: EN/IEC 61591; ISO 5167-1; ISO 5167-3; ISO 5168; EN/IEC 60704-1; EN/IEC 60704-2-13; EN/IEC 60704-3; ISO 3741; EN 50564; IEC 62301.
- EMC: EN 55014-1; CISPR 14-1; EN 55014-2; CISPR 14-2; EN/IEC 61000-3-2; EN/IEC 61000-3-3. Предложения для правильного использования в целях снижения воздействия на окружающую среду: Включите вытяжной колпак на минимальной скорости, когда начинаете готовить, и оставьте его работать в течение нескольких минут после того, как закончите готовить. Увеличивайте скорость только в случае большого количества дыма и пара, и прибегайте к использованию повышенных скоростей только в экстремальных ситуациях. Заменяйте угольный фильтр(ы), когда это необходимо, для поддержания хорошей эффективности уменьшения запахов. Очищайте жировой/ые фильтр(ы), когда это необходимо, для поддержания хорошей эффективности жирового фильтра. Используйте максимальный диаметр системы воздуховодов, указанный в данном руководстве, для оптимизации эффективности и минимизации уровня шума.



## АНОМАЛИИ В РАБОТЕ

Если что-то не работает должным образом, перед тем как обратиться в Службу по техническому обслуживанию, выполните следующие простые проверки:

- Если вытяжка не работает:  
Проверить:
  - что бы не была прервана подача тока.
  - что бы была выбрана скорость.
- Если вытяжка плохо работает:  
Проверить:
  - что выбранная скорость двигателя достаточна для выработанного количества дыма и пара.
  - что кухня достаточно проветрена для того, чтобы вытяжка могла выполнить забор воздуха.
  - что угольный фильтр не отработан (вытяжка в режиме с рециркуляцией воздуха).
- Если вытяжка выключилась в ходе нормальной работы:  
Проверить:
  - что не прервана подача тока.
  - что не сработал однополюсный выключающий аппарат.

В случае возможных аномалий в работе, перед тем как обратиться в службу технического обслуживания отключить от электропитания аппарат минимум на 5 секунд, вынимая вилку и потом подсоединить его снова. Если аномалия в работе продолжает существовать обратиться в службу техобслуживания.

## ТЕХНИЧЕСКИЕ ДАННЫЕ

Высота (см)	Ширина (см)	Глубина (см)	Ø вытяжной трубы (см)
 67-101,5	59,8 - 89,8	25	15
 77,5-101,5			

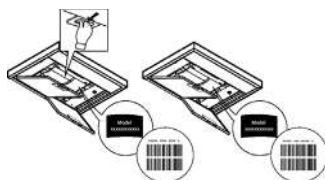


Комплектующие, не входящие в комплект деталей к изделию



Чтобы загрузить инструкции по безопасности, руководство по эксплуатации, технический лист изделия и показатели энергоэффективности:

- Посетите наш веб-сайт [docs.bauknecht.eu](https://docs.bauknecht.eu)
- Используйте QR-код
- Или обратитесь в наш Сервисный центр (Номер телефона указан в гарантийном талоне). При обращении в наш Сервисный центр сообщите коды, указанные на паспортной табличке изделия.



## VŠEOBECNÁ BEZPEČNOSTNÍ OPATŘENÍ

- Před jakýmkoli čištěním či údržbou odpojte digestoř z elektrické sítě odpojením ze zásuvky nebo vypnutím hlavního domovního vypínače.
- Při jakýchkoli úkonech spojených s instalací či údržbou používejte ochranné rukavice.
- Tento přístroj mohou používat děti starší 8 let a osoby se sníženými tělesnými, smyslovými či duševními schopnostmi nebo osoby bez patřičných zkušeností a znalostí, pouze pokud jsou pod neustálým dozorem nebo byly poučeny o bezpečném použití výrobku a jsou si vědomy rizik spojených s jeho použitím.
- Je nutné se ujistit, zda si děti nehrají se zařízením.
- Čištění a údržba nesmí být prováděna dětmi bez dozoru.
- Místnost musí být dostatečně větraná, pokud je digestoř používána společně s jinými spalovacími zařízeními na plyn či jiná paliva.
- Vnitřní a vnější části digestoře musí být často čišťeny (NEJMÉNĚ JEDNOU ZA MĚSÍC), za dodržení výslovných pokynů uvedených v návodu k údržbě.
- Při nedodržení pokynů pro čištění digestoře a výměnu a čištění filtrů hrozí nebezpečí požáru.
- Je přísně zakázáno připravovat pod digestoří pokrmy na ohni.
- Při výměně žárovky používejte pouze typ žárovky uvedený v tomto návodu, v části věnované údržbě/výměně žárovek.

Použití otevřeného ohně může poškodit filtry a způsobit požáry, proto oheň nesmí být nikdy používán.

Zvýšenou pozornost je nutné věnovat smažení, protože přehřátý olej by se mohl vznítit. POZOR: Pokud je varná deska v provozu, přístupné části digestoře se mohou stát velmi teplými.

- Nepřipojujte přístroj k elektrické síti, dokud instalace nebude zcela ukončena.
- Nepřipojujte přístroj k elektrické síti, dokud instalace nebude zcela ukončena.
- Co se týče technických a bezpečnostních opatření pro odvod kouře, postupujte přesně podle předpisů příslušných místních orgánů.
- Odsávaný vzduch musí být odváděn do potrubí používaného pro odtah kouřů vznikajících při použití spalovacích zařízení na plyn či jiná paliva.
- ▲ **POZOR!** V případě chybějící instalace šroubů a úchytných prvků dle pokynů uvedených v tomto návodu může dojít k vzniku nebezpečí elektrické povahy.
- Nepoužívejte a nenechávejte digestoř bez správně instalovaných žárovek, jelikož hrozí nebezpečí úrazu elektrickým proudem.
- Nikdy nepoužívejte digestoř bez správně namontované mřížky!
- Digestoř nesmí být NIKDY používána jako opěrná plocha, pokud pro tento účel není výslovně určena.
- Při instalaci používejte pouze úchytné šrouby dodané z výrobkem.
- Pokud šrouby nejsou součástí vybavení, zakupte správný typ šroubů. Používejte šrouby se správnou délkou, podle pokynů v Návodu pro instalaci.



• V případě pochyb se obraťte na pověřený servis nebo se poradte s odborným personálem.

**▲ POZOR!** Nepoužívejte s programátorem, časovým spínačem, samostatným dálkovým ovládáním nebo jiným zařízením, které se aktivuje automaticky.

Uchovávejte spotřebič mimo dosah dětí mladších 3 let. Bez stálého dohledu dospělé osoby uchovávejte mimo dosah dětí mladších 8 let.

**▲ UPOZORNĚNÍ:** spotřebič není určen ke spuštění externím zařízením nebo odděleným dálkovým ovládáním.

**▲** Tento spotřebič není určen pro profesionální použití. Nepoužívejte spotřebič na otevřeném prostranství.

**▲** Aby nedošlo k poranění osob, musí být spotřebič přemístěn a nainstalován dvěma nebo více osobami.

**▲** Instalace, včetně případných přípojek na vodu (pokud jsou k dispozici) a elektrických přípojek, jakož i opravy musí provádět kvalifikovaný personál.

Po dokončení instalace uložte obalový materiál (plastové díly, polystyren, atd) mimo dosah dětí, aby se zabránilo riziku udušení. .

Nepoužívejte přístroj, pokud jste mokří nebo naboso.

Nikdy nepoužívejte parní čistící přístroje - nebezpečí úrazu elektrickým proudem.



Obalový materiál je 100% recyklovatelný a je označen symbolem recyklace

**Digestoř může mít odlišný vzhled od ilustrací na výkresech této příručky, nicméně návod k použití, údržba a montáž zůstávají nezměněny.**

Výrobce odmítá převzít jakoukoliv odpovědnost za případné závady, škody nebo vznícení digestoře, které byly způsobeny nedodržení těchto předpisů. Digestoř je projektována pro odsávání dýmů a par při vaření a je určena pouze k domácím účelům.

- Je důležité uchovat si tuto příručku, abyste ji mohli konzultovat v jakémkoliv okamžiku. V případě prodeje, postoupení či stěhování si zajistěte, aby zůstala společně s přístrojem.
- Přečtěte si pozorně návod: obsahuje důležité informace o instalaci, užití a bezpečnosti.
- Neměňte elektrickou či mechanickou úpravu výrobku anebo vývodního zařízení.
- Před instalací zařízení zkontrolujte, zda některá ze součástí není poškozena. V opačném případě kontaktujte prodejce a nepokračujte v instalaci.

• Minimální vzdálenost mezi podporou nádoby na varné ploše a nejnižší částí digestoře nesmí být menší než 45cm v případě elektrických sporáků 65cm v případě plynových či smíšených sporáků.

Pokud návod na instalaci varného zařízení na plyn doporučují větší vzdálenost, je třeba se tímto pokynem řídit.

## NAPOJENÍ NA ELEKTRICKOU SÍŤ

Síťové napětí musí odpovídat napětí uvedenému na štítku s charakteristikami umístěného uvnitř krytu. Pokud je kryt vybaven přípojkou, stačí jej zapojit do zásuvky odpovídající stávajícím normám, která se nachází ve snadno dosažitelném prostoru i po provedené montáži. Pokud kryt není vybaven přípojkami (přímé připojení k síti) nebo se zásuvka nenachází ve snadno dosažitelném prostoru i po provedené montáži, je třeba použít dvojpólový vypínač odpovídající normám, který zaručí úplné odpojení od sítě v podmínkách kategorie přepětí III, v souladu s pravidly instalace.

**▲ POZOR!** Dříve než opět napojíte obvod digestoře na síťové napájení a ověříte správné fungování, zkontrolujte si vždy, že síťový kabel byl správně namontován.

Pokud není kabel opatřen zástrčkou, připojte vodiče podle informací v následující tabulce:

## Síťové napětí a frekvence

Viz hodnota uvedená na technickém štítku s vlastnostmi uvnitř digestoře..

## Připojení vodičů



: žluto/zelená

N : modrá

L : hnědá

## Výměna napájecího kabelu

Digestoř je vybavena speciálním napájecím kabelem; v případě poškození kabelu vyžádejte si ho u servisní služby.

## VÝVOD VZDUCHU

(pro odsávací verze)

Napojte digestoř na odtahového potrubí se stejným průměrem jako vývod vzduchu (spojovací příruba).

Použití odtahového potrubí s menším průměrem způsobí snížení výkonu a zvýšení hluku.

Za to výrobce odmítá jakoukoliv zodpovědnost.

! Použijte co nejkratší odtahové potrubí.

! Použijte odtahové potrubí s co nejmenším počtem záhybů (maximální úhel záhybu: 90°).

! Vyhněte se zásadním změnám sekce vedení odtahu.

! Výrobce odmítá veškerou zodpovědnost v případě, že tyto předpisy nebudou dodržovány.

## FILTRUJÍCÍ ANEBU ODSÁVACÍ?

! Vaše digestoř je připraven k použití v odsávací verzi.

K použití ve filtrující verzi je třeba instalovat příslušný KIT PŘÍSLUŠENSTVÍ.

Ověřte si na prvních stránkách této příručky, zda KIT PŘÍSLUŠENSTVÍ je součástí vybavení přístroje anebo zda je třeba ho zakoupit.

**Poznámka:** Pokud je součástí vybavení, v některých případech dodatkový filtrační systém založený na aktivních uhlících by již mohl být nainstalován na digestoři.

Informace týkající se přeměny digestoře z odsávací verze na verzi filtrující jsou obsaženy v této příručce.

## Odsávací verze

Páry jsou vyváděny mimo místnost odtahovím potrubím upevněného na spojovací přírubě.

### POZOR!

Odtahové potrubí není součástí vybavení a je třeba ho zakoupit.

Průměr odtahového potrubí se musí rovnat průměru spojovacího prstence.

### POZOR!

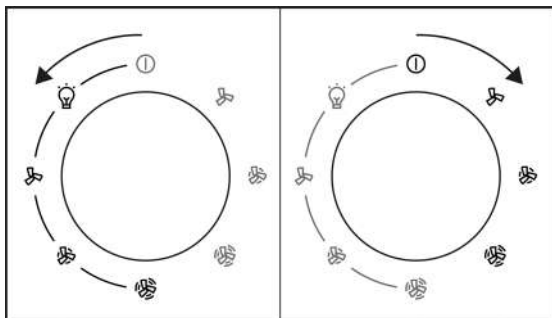
Jestliže je digestoř vybavena filtry s uhlíkem, musejí být vyřaty.

## Filtrující verze

Odsávaný vzduch bude před návratem do místnosti zbaven tuku a pachů. K použití digestoře v této verzi je nutné instalovat dodatečný systém filtrování na základě aktivních uhlíků.

# OVLÁDÁNÍ

Digestoř je vybavena ovládacím panelem s řízením rychlosti sání a světelným spínačem pro osvětlení varné desky.





 Světlo ON


 OFF


 Rychlost 1 Světlo ON

 Rychlost 1 Světlo OFF

 Rychlost 2 Světlo ON

 Rychlost 2 Světlo OFF

 Rychlost 3 Světlo ON

 Rychlost 3 Světlo OFF

# ÚDRŽBA

## Čištění

Pro čištění je třeba použít **VÝHRADNĚ** látku navlhčenou neutrálními tekutými čisticími prostředky. **NEPOUŽÍVEJTE ŽÁDNÉ NÁSTROJE NEBO POMŮCKY NA ČIŠTĚNÍ. NEPOUŽÍVEJTE ALKOHOL!**

## Obvodový panel odsávání

Vyčistěte obvodový odsávací panel stejně často jako filtr proti mastnotám, používejte látku a tekutý nepříliš koncentrovaný rozpouštěcí prostředek. Nepoužívejte nikdy brusné látky.

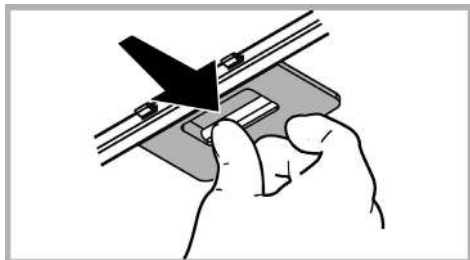
## Údržba tukových filtrů

**Zadržuje částice tuku uvolňující se při vaření.**

Tukový filtr se musí 1 x do měsíce vyčistit.

Je možné jej čistit ručně jemným mycím prostředkem nebo v kuchyňské myčce při nejnižší teplotě a kratším programu.

Demontáž tukového filtru je znázorněna - zatlačte na západku filtru.



## Údržba filtrů s uhlíkem

**Tento filtr pohlcuje nepříjemné pachy vznikající při vaření.**

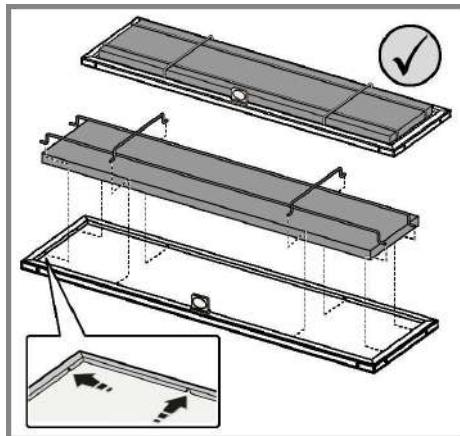
**Tkaninový filtr (dodáván s výrobkem).**

Filtr s uhlíkem může být umýván jednou za dva měsíce (anebo v okamžiku, kdy tuto potřebu vyznačuje systém saturace filtrů – pokud je součástí vybavení Vašeho modelu) teplou vodou anebo v myčce nádobí parující za teploty 65°C (v případě mytí v myčce nádobí nechte projít kompletní cyklus mytí a nenechávejte uvnitř nádobí).

Vyměňte přebytečnou vodu, aniž byste poškodili filtr, potom ho položte na 10 minut trouby vyhřáté na 100°C, aby se zcela osušil.

Vyměňujte podložku jednou za 3 roky a kdykoliv se látka zdá být poškozená.

Tkaninový filtr lze nahradit kruhovým uhlíkovým filtrem.



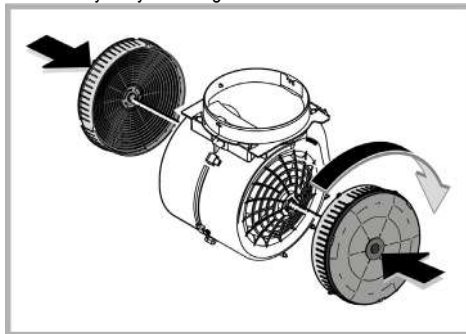
## Kruhový filtr s uhlíkem

Umístěte po jednom na každé straně k pokrytí obou ochranných mřížek rotoru motoru a pak otáčejte ve směru hodinových ručiček.

K odmontování otáčejte proti směru hodinových ručiček.

Saturace filtru s uhlíkem nastane po více či méně dlouhém užití, tj. závisí na typu kuchyně a pravidelném čištění filtru proti mastnotám. V každém případě je nutné nahradit patronu maximálně jednou za 4 měsíce.

**NEMŮŽE** být umýván či regenerován.



## Výměna svídel

Digestoř je vybavena osvětlovacím systémem založeným na technologii DIOD.


DIODY zaručují optimální osvětlení, s trvanlivostí až 10 krát delší než tradiční svídky a umožňují úspory 90% elektrické energie.

Systém osvětlení nemůže být vyměňován uživatelem, v případě poruchy kontaktujte servisní službu.

# LIKVIDACE ODPADU

Tento spotřebič je označený v souladu s evropskou směrnicí 2012/19/EC - UK SI 2013 No.3113 o likvidaci elektrického a elektronického zařízení (WEEE). Zajištěním správné likvidace tohoto výrobku pomůžete zabránit případným negativním důsledkům na životní prostředí a lidské zdraví, ke kterým by nevhodnou likvidací tohoto výrobku mohlo dojít.



Symbol  na výrobku nebo na dokumentech přiložených k výrobku udává, že tento spotřebič nepatří do domácího odpadu. Spotřebič je nutné odvézt do sběrného místa pro recyklaci elektrického a elektronického zařízení.

Likvidace musí být provedena v souladu s místními předpisy o ochraně životního prostředí, které se týkají likvidace odpadu.

Podrobnější informace o zpracování, rekuperaci a recyklaci tohoto výrobku zjistíte u příslušného místního úřadu, služby pro likvidaci domovního odpadu nebo v obchodě, kde jste výrobek zakoupili.

Přístroj byl navržen, testován a vyroben v souladu s:

- Bezpečnost: EN/IEC 60335-1; EN/IEC 60335-2-31; EN/IEC 62233.
- Výkonnost: EN/IEC 61591; ISO 5167-1; ISO 5167-3; ISO 5168; EN/IEC 60704-1; EN/IEC 60704-2-13; EN/IEC 60704-3; ISO 3741; EN 50564; IEC 62301.
- EMC: EN 55014-1; CISPR 14-1; EN 55014-2; CISPR 14-2; EN/IEC 61000-3-2; EN/IEC 61000-3-3.

(Osobitý mezinárodní výbor pro rádiové rušení, pozn. překl)

Doporučení pro správné použití s cílem snížit dopad na životní prostředí:

Zapněte digestoř na minimální rychlost, když začnete s vařením a nechte ji běžet několik minut poté, co jste vaření ukončili. Zvyšte rychlost pouze v případě nadměrného množství kouře nebo páry a použijte podpomou rychlost (I) jenom v extrémních situacích. Vyměňte uhlíkový filtr (y), je-li to nutné pro udržování účinnosti snižování zápachu. Vyčistěte tukový filtr (y), je-li to nutné pro udržování jeho účinnosti. Použijte maximální průměr potrubního systému, jak je uvedeno v tomto návodu, pro optimalizaci účinnosti a minimalizaci hluku.



## TECHNICKÉ PORUCHY

Pokud máte dojem, že něco správně nefunguje, dříve než se obrátíte na servisní službu, proveďte následující jednoduchá kontrolní opatření:

- jestliže digestoř nefunguje:  
Ověřte si, zda:
  - nedošlo k přerušení elektrického proudu.
- jestliže digestoř má nedostatečný výkon:  
Ověřte si, zda:
  - zvolená rychlost motoru je postačující pro uvolněné množství dýmu a par.
  - zda je kuchyně dostatečně větrána, aby v ní bylo možno umístit přívod vzduchu.
  - zda filtr s uhlíkem není opotřebován (pokud je digestoř ve filtrující verzi).
- Pokud se digestoř při normálním provozu vypne:  
Ověřte si, zda:
  - nedošlo k přerušení elektrického proudu.
  - zda nezasáhl multipólový jistič

V případě eventuálních technických poruch dříve než se obrátíte na servisní službu, odpojte přístroj alespoň na 5 vteřin z elektrické sítě, vyjměte zásuvku ze zástrčky a pak ho opět napojte na síť. V případě, že technická porucha trvá, obraťte se na servisní službu.

# TECHNICKÉ ÚDAJE

Výška (cm)	Šířka (cm)	Hloubka (cm)	Ø potrubí odtahu (cm)
 67-101,5	59,8 - 89,8	25	15
 77,5-101,5			



Komponenty, které nejsou součástí vybavení výrobku



**Bezpečnostní pokyny, návod k použití, štítek výrobku a energetické údaje si můžete stáhnout pomocí:**

- naší webové stránky [docs.bauknecht.eu](https://docs.bauknecht.eu)
- naskenování QR kódu
- případně **kontaktujte náš poprodejní servis** (telefonní číslo najdete v záručním listě). Při kontaktování našeho poprodejního servisu prosím uveďte kódy na identifikačním štítku produktu.

