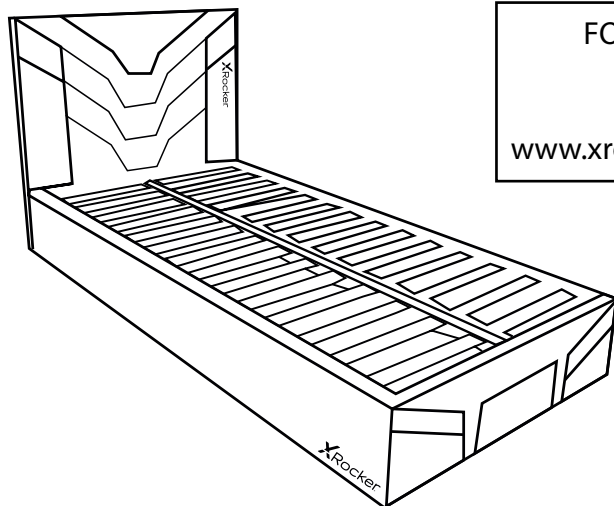


ASSEMBLY INSTRUCTION

PLEASE read this leaflet prior to assembly to familiarise yourself with the various stages of construction. Carefully open the pack supplied and check the contents against the parts and fitting check list. Do not throw any of the packing away until you are certain that you have all the necessary parts for assembly.

CAUTION: There are small components used in the construction of this unit. These loose items should be kept away from young children while assembling your unit to avoid danger of choking and/or suffocation hazards.



FOR PARTS & TECHNICAL
SUPPORT VISIT :

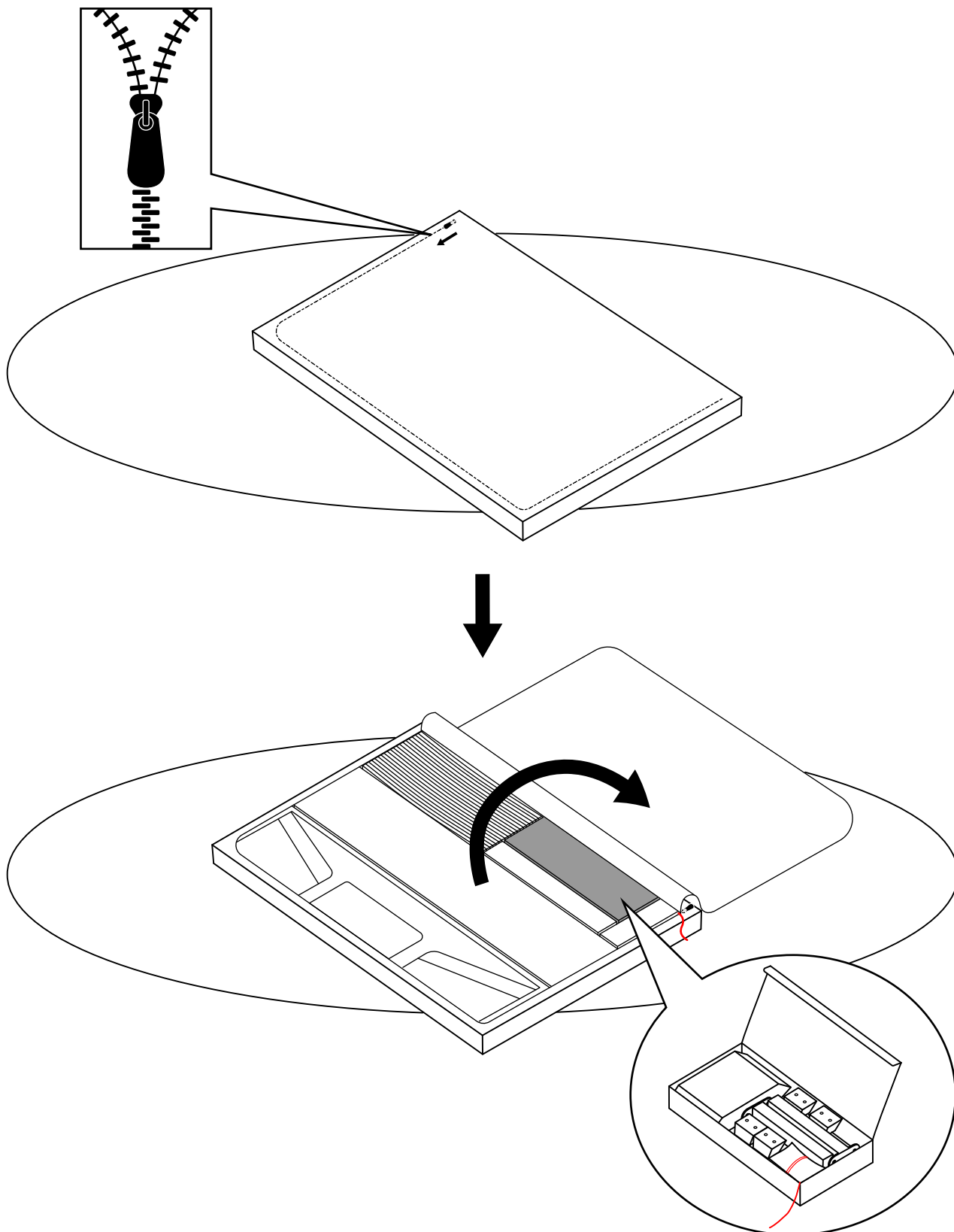
www.xrockeruk.com/pages/support

IMPORTANT :

- Please read through this leaflet and follow the simple step-by-step instructions.
- Please keep all fittings out of the reach of children.
- Please ensure the parts placed on a flat & soft surface before assembly.
- Please ensure you have the right tools, Do Not use power tools to assembly this product.
- Please ensure a clean, dry and spacious area for assembly.
- Due to the size of this product we recommend that it is assembled in the room intended for its use.
- Please retain these instructions for future reference.

WARNINGS

- Ensure the product is fully assembled and secured as illustrated before use.
- Ensure the legs always remain in contact with the ground.
- Ensure all screws or bolts are tightened and inspect regularly.
- Do not stand or jump on the product.
- Do not use this product if parts are missing, damage or worn.
- Do not expose this product to water or areas with high moisture.
- Do not place the product in direct sunlight This could lead to colour fading.
- Do not use open flames such as candles, fires or cigarettes.
- Do not place the product against a radiator as the heat may melt the covering.
- Do not use the product for long periods in rooms over 35 degrees Celsius.
- Do not use a scourer, abrasives or chemicals to clean the product, only clean with a sponge wipe and warm soapy water.

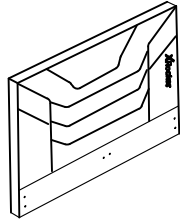


To access the bolt pack.

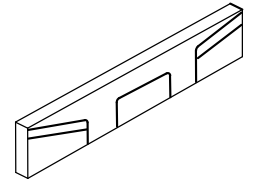
- Place the Cerberus headboard on a soft, flat surface. (If placed on a hard floor, please protect the headboard and your floor with a soft rug)
- Unzip the back of the headboard on both sides to ensure that the material lifts evenly. (Do not attempt to lift the material with only one zip undone)
- Carefully remove the bolt pack from the back of the headboard.
- Once removed, please zip up the headboard before commencing construction.

Parts

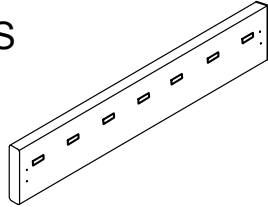
① HEADBOARD x 1PC



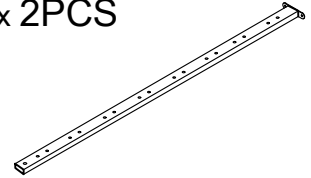
② FOOTBOARD x 1PC



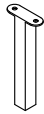
③ SIDE RAILS x 4PCS



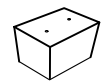
④ CENTRE BAR x 2PCS



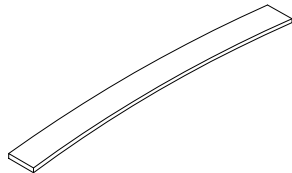
⑤ SUPPORT LEG x 3PCS



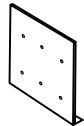
⑥ FEET x 4PCS



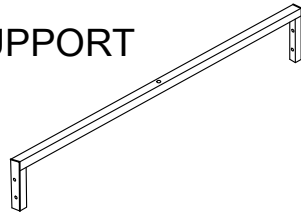
⑦ SLATS x 28PCS



⑧ SIDE RAILS METAL CONNECTOR x 2PCS

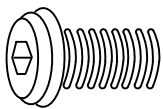


⑨ HORIZONTAL SUPPORT BAR x 1PC

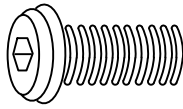


Fittings

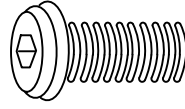
Ⓐ 21x
20mm M8 Bolt



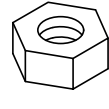
Ⓑ 12x
30mm M8 Bolt



Ⓒ 6x
40mm M8 Bolt



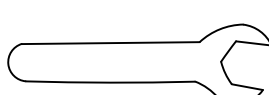
Ⓓ 6x
M8X5 Nut



Ⓔ 3x
Support Feet



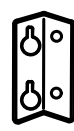
Ⓕ 1x
Spanner



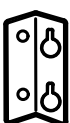
Ⓖ 1x
M5 Allen Key



Ⓖ 2x



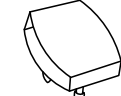
Ⓘ 2x



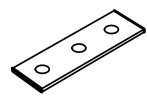
Ⓙ 8x
50mm M4 Screw



Ⓚ 14x
Centre Slat Cap



Ⓛ 1x
Rectangle Flat Washer



Step 1

ⓐ

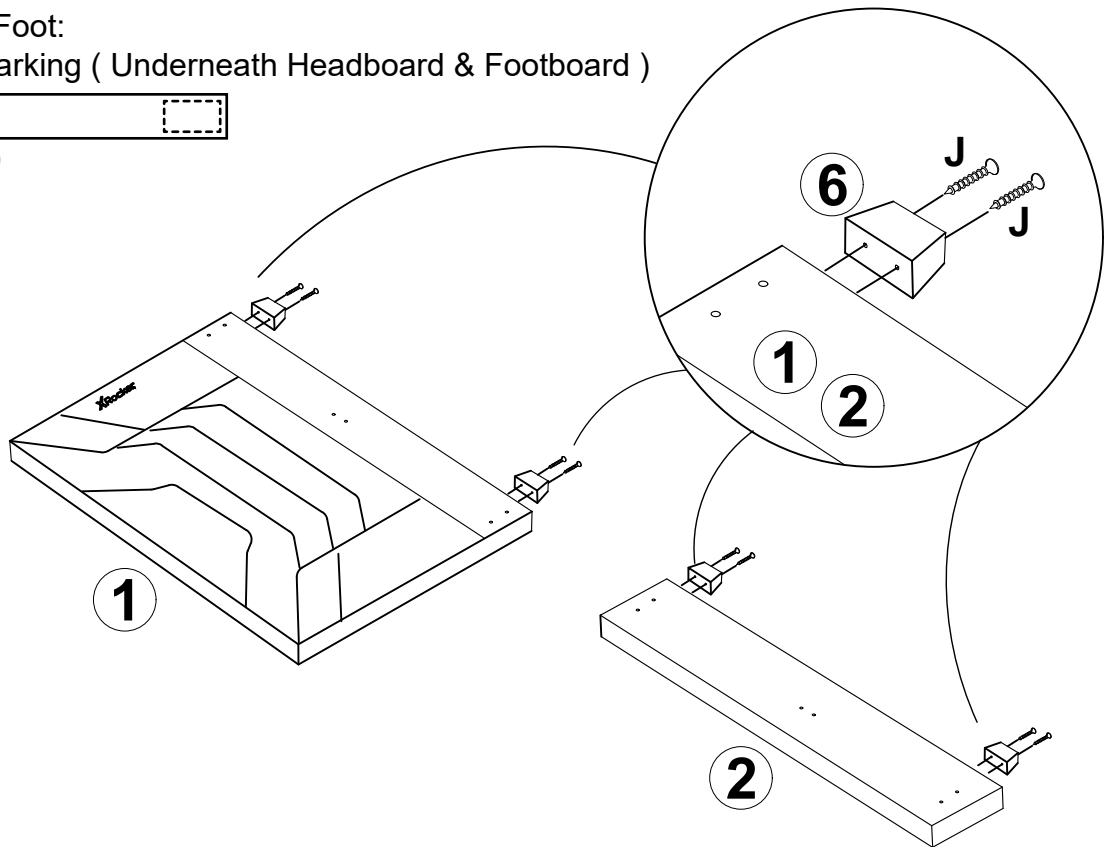
8x
50mm M4 Screw



* To install Bed Foot:
- Refer to the marking (Underneath Headboard & Footboard)



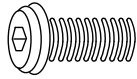
(Underneath View)



Step 2

ⓐ

4x
40mm M8 Bolt



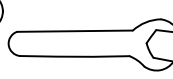
ⓓ

4x
M8x5 Nut



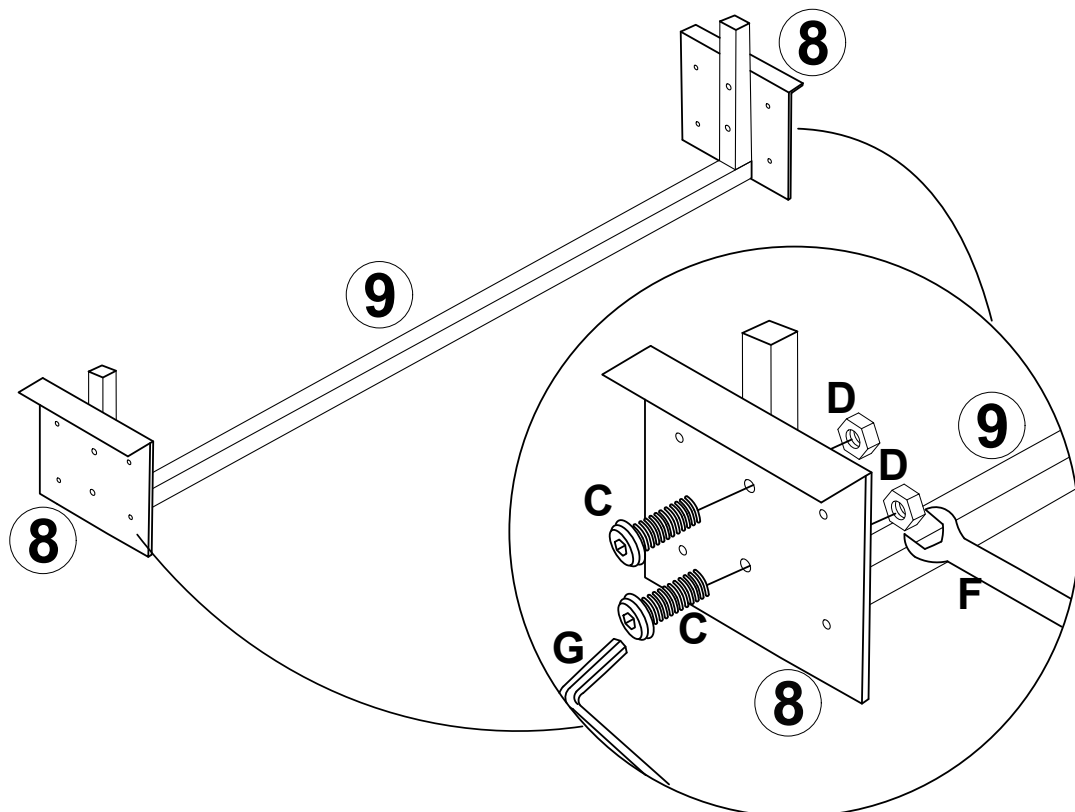
ⓕ

1x
Spanner



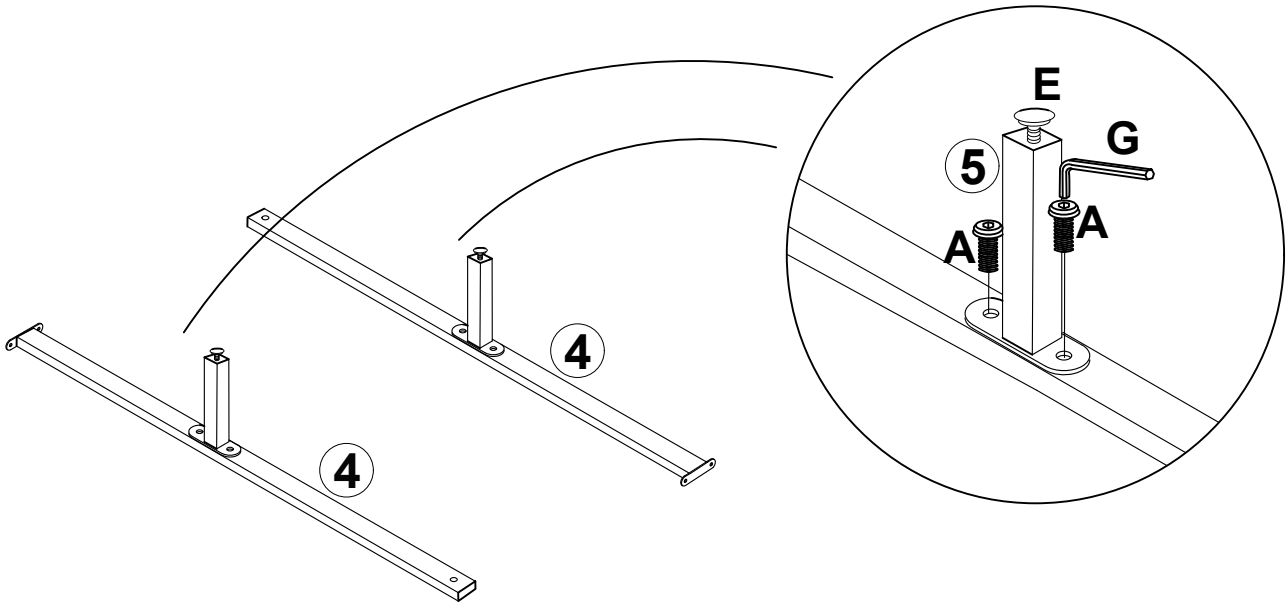
ⓖ

1x
M5 Allen Key

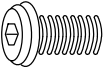
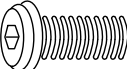
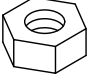
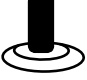
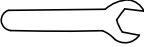

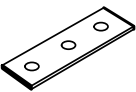


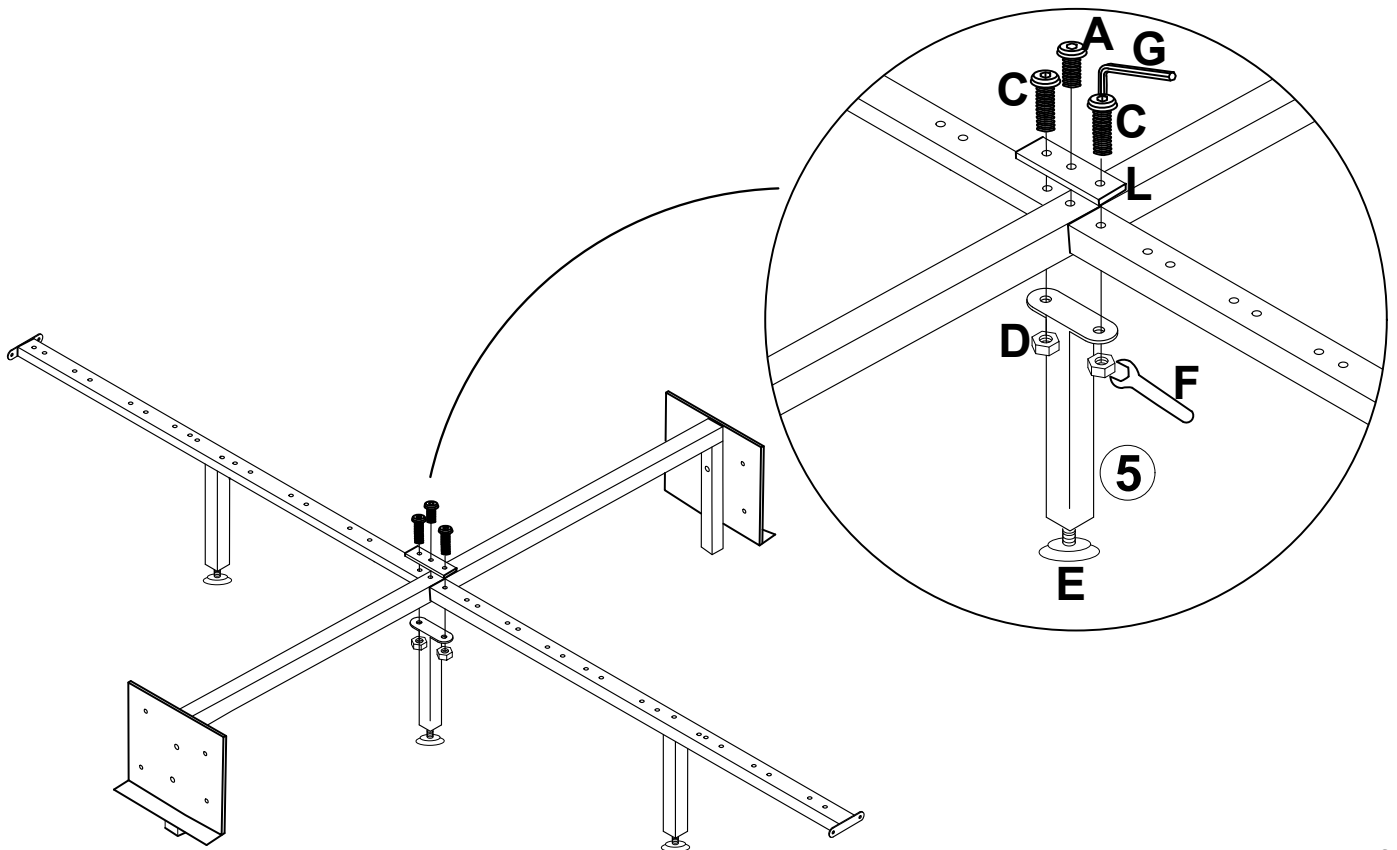
Step 3

<p>(A)  4x 20mm M8 Bolt</p>	<p>(E)  2x Support Feet</p>	<p>(G)  1x M5 Allen Key</p>		
----------------------------------------------------------------------------------------------------------------------	----------------------------------------------------------------------------------------------------------------------	-----------------------------------------------------------------------------------------------------------------------	--	--



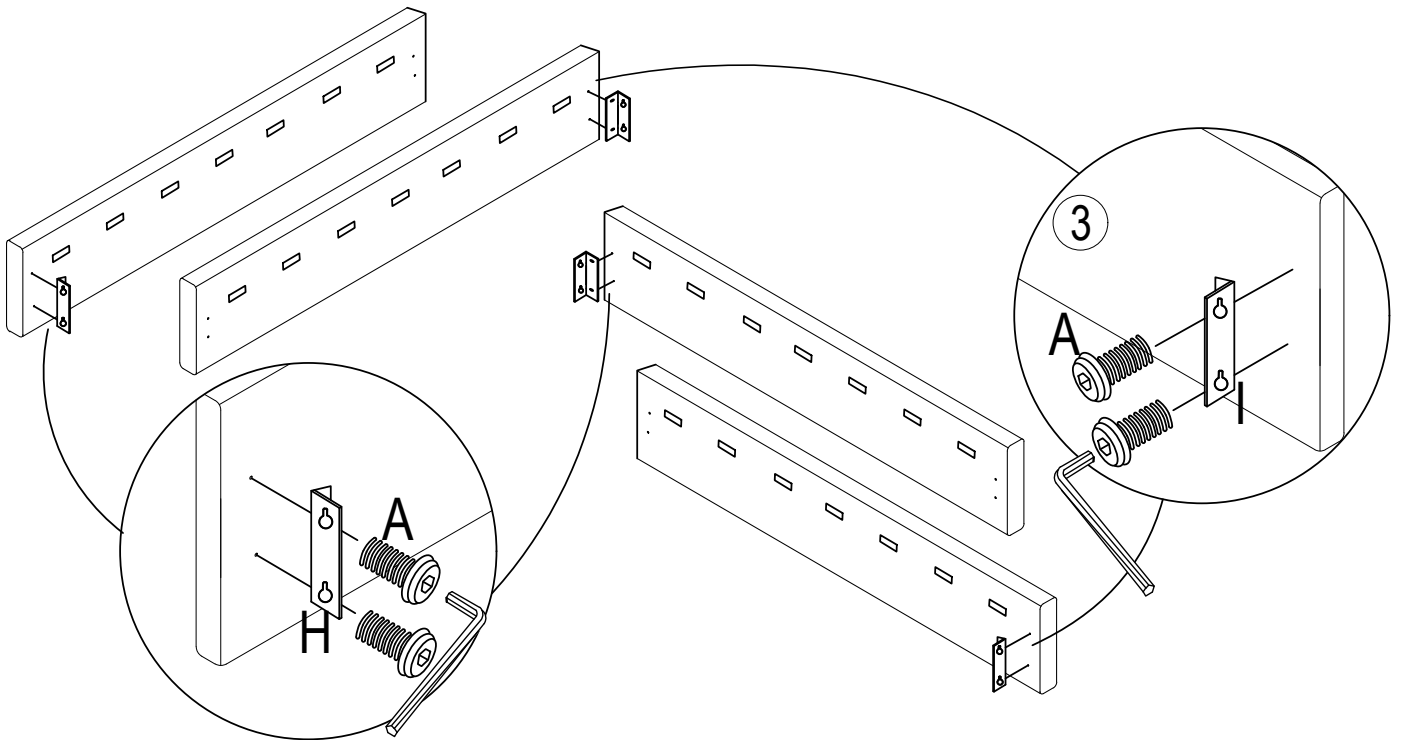
Step 4

<p>(A)  1x 20mm M8 Bolt</p>	<p>(C)  2x 40mm M8 Bolt</p>	<p>(D)  2x M8x5 Nut</p>	<p>(E)  1x Support Feet</p>	<p>(F)  1x Spanner</p>	<p>(G)  1x M5 Allen Key</p>	<p>(L)  1x Rectangle Flat Washer</p>
------------------------------------------------------------------------------------------------------------------------	------------------------------------------------------------------------------------------------------------------------	--------------------------------------------------------------------------------------------------------------------	------------------------------------------------------------------------------------------------------------------------	--------------------------------------------------------------------------------------------------------------------	--------------------------------------------------------------------------------------------------------------------------	-----------------------------------------------------------------------------------------------------------------------------------



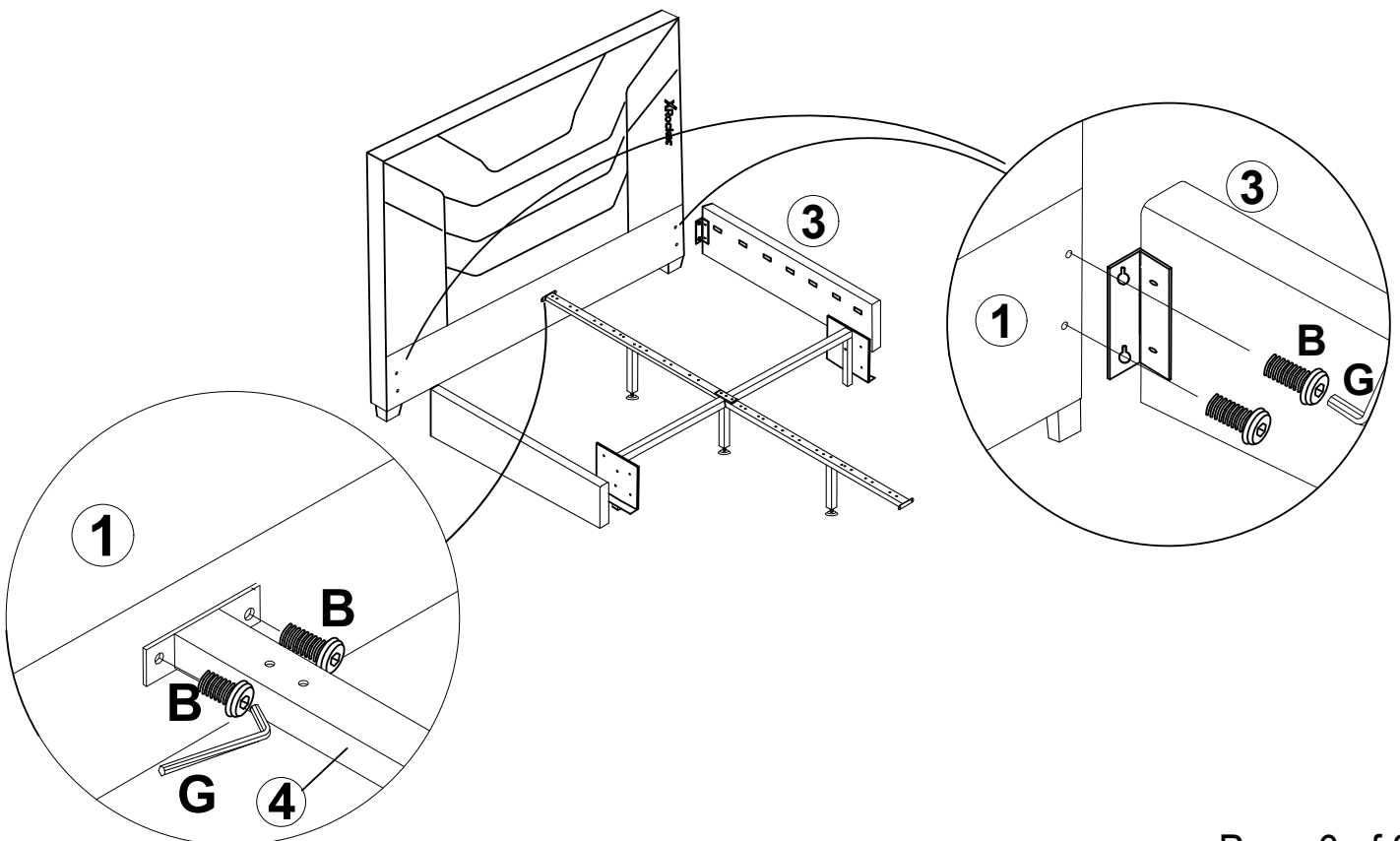
Step 5

(A) 8x 20mm M8 Bolt	(G) 1x M5 Allen Key	(H) 2x	(I) 2x	
----------------------------------	----------------------------------	------------------	------------------	--



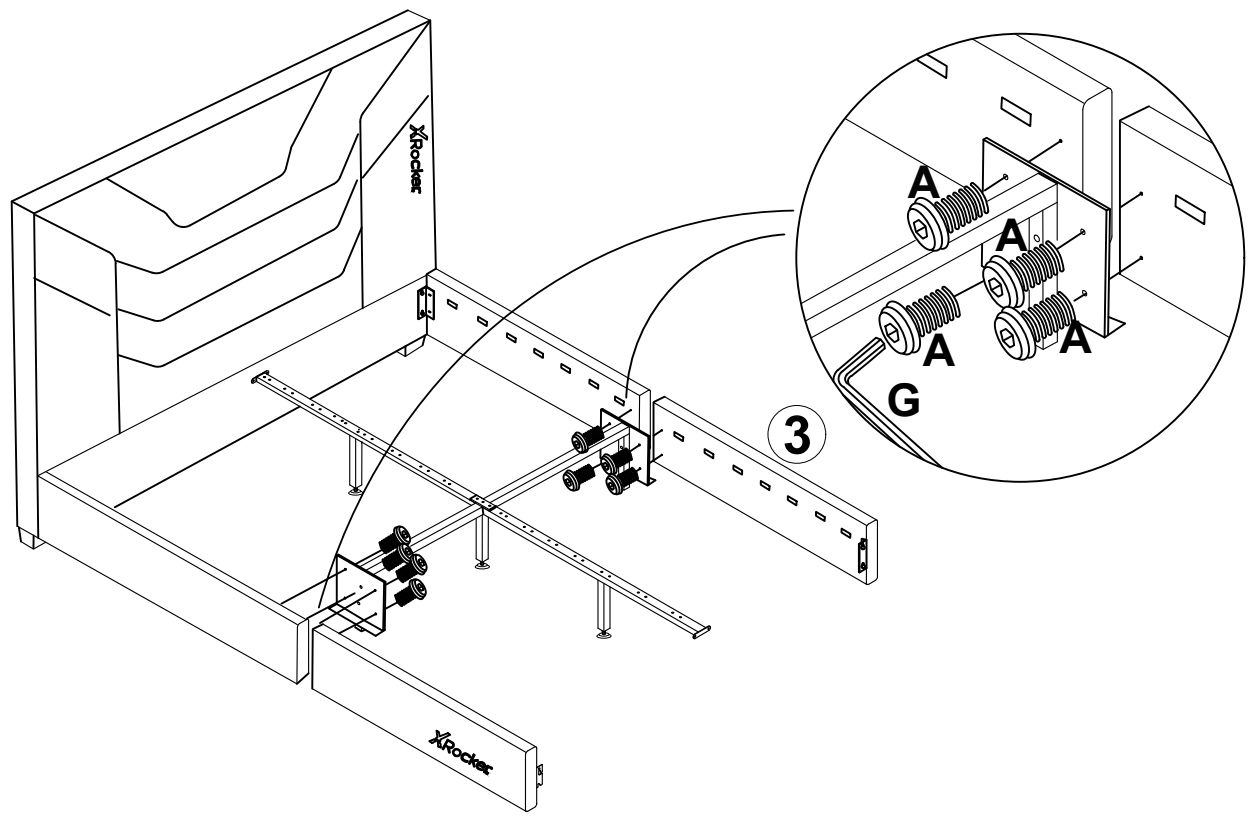
Step 6

(B) 6x 30mm M8 Bolt	(G) 1x M5 Allen Key			
----------------------------------	----------------------------------	--	--	--

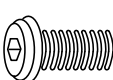



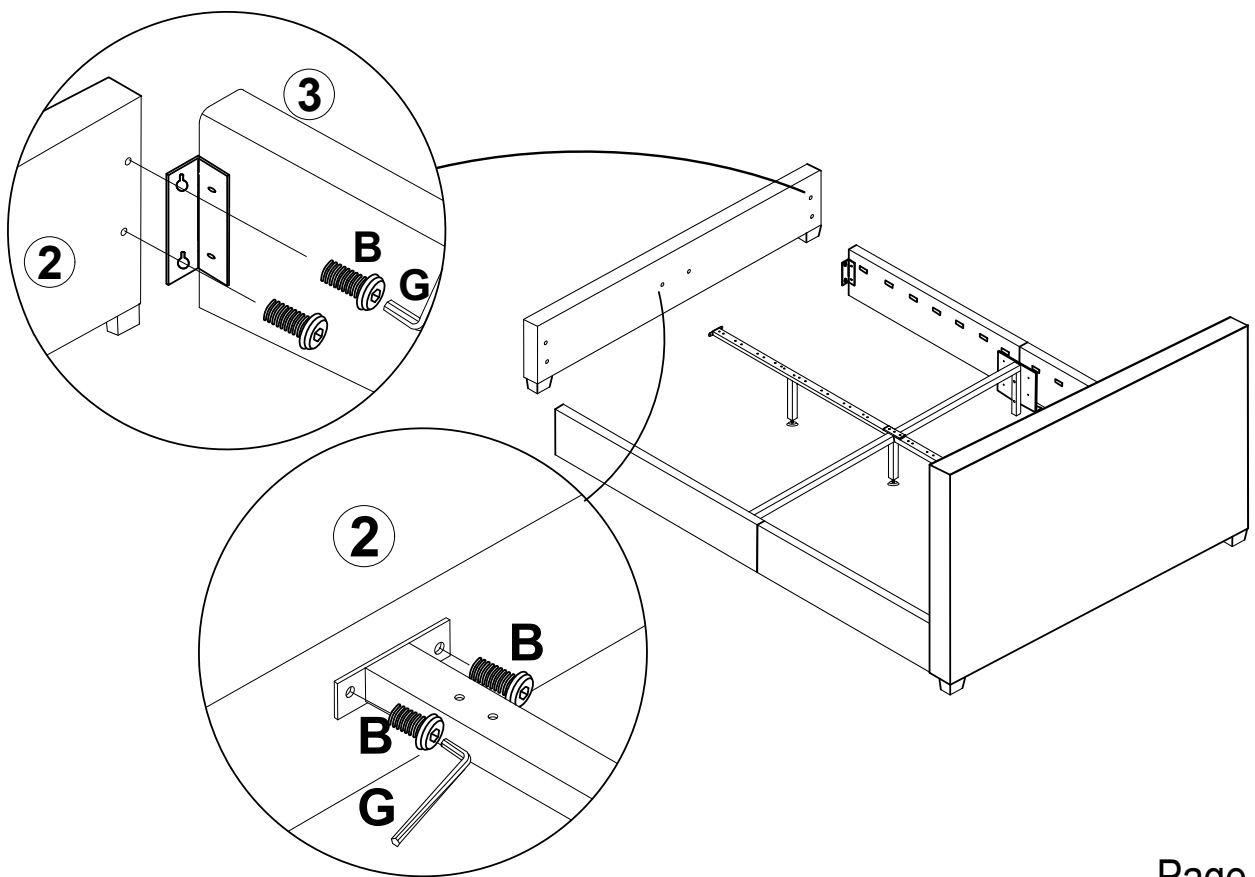
Step 7

<p>(A)  8x 20mm M8 Bolt</p>	<p>(G)  1x M5 Allen Key</p>			
----------------------------------------------------------------------------------------------------------------------------	-----------------------------------------------------------------------------------------------------------------------------	--	--	--



Step 8

<p>(B)  6x 30mm M8 Bolt</p>	<p>(G)  1x M5 Allen Key</p>			
-------------------------------------------------------------------------------------------------------------------------------	-------------------------------------------------------------------------------------------------------------------------------	--	--	--



Step 9

(K)



14x
Centre Slat Cap

