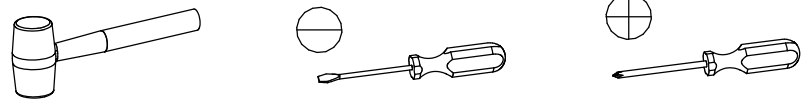


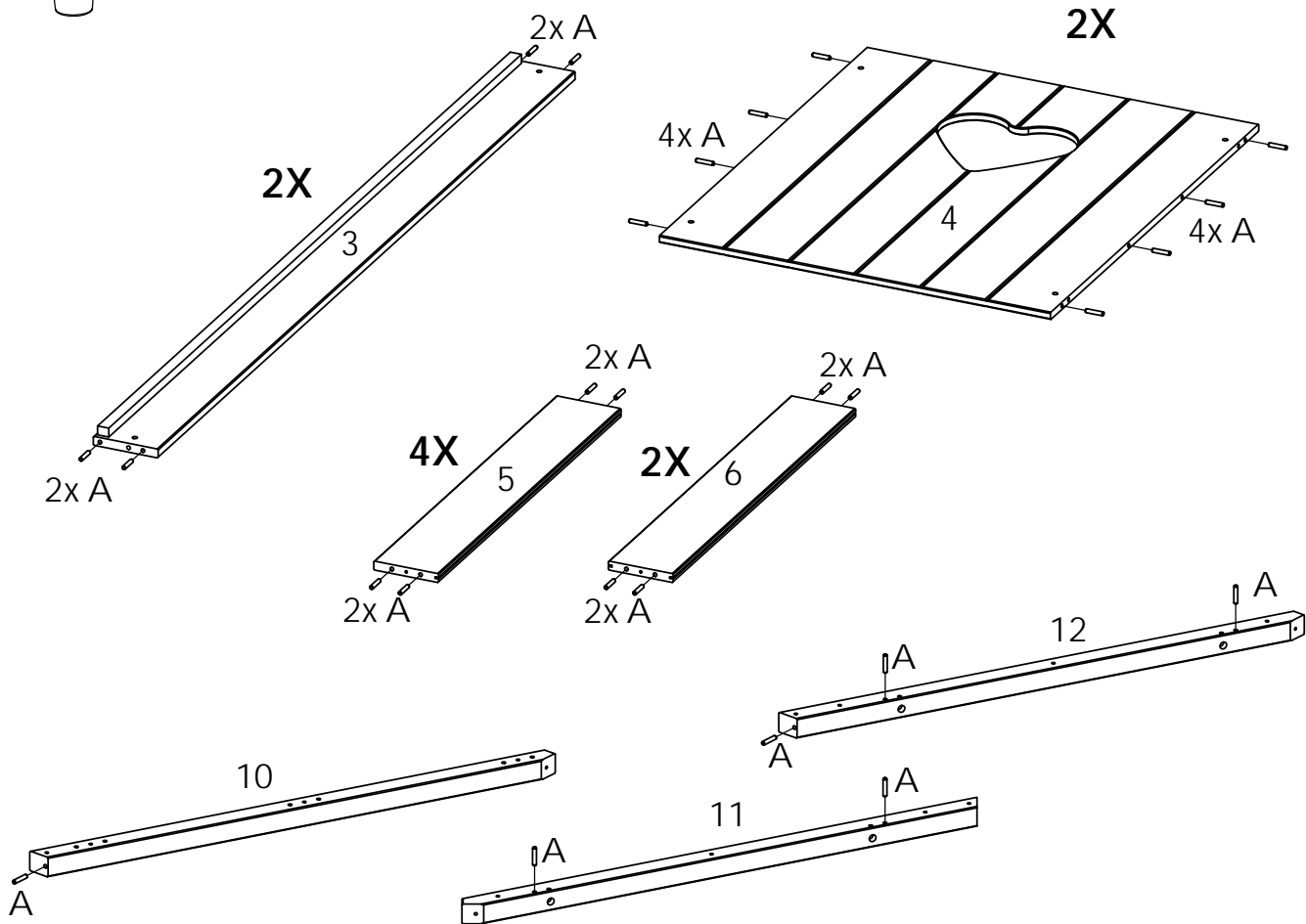
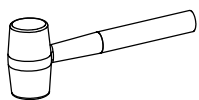
Tools needed (not supplied)



A		8x40	55
B		M6x80	12
C		M6x10x13	12
D		M10x12	4
E		D15x19	4
F		D9,8x37x60	4
G		7x70	16
H		15x12	4
J		6,1x24x35	4

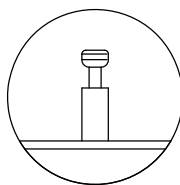
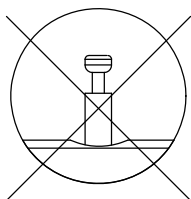
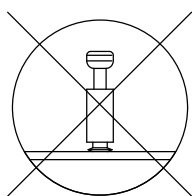
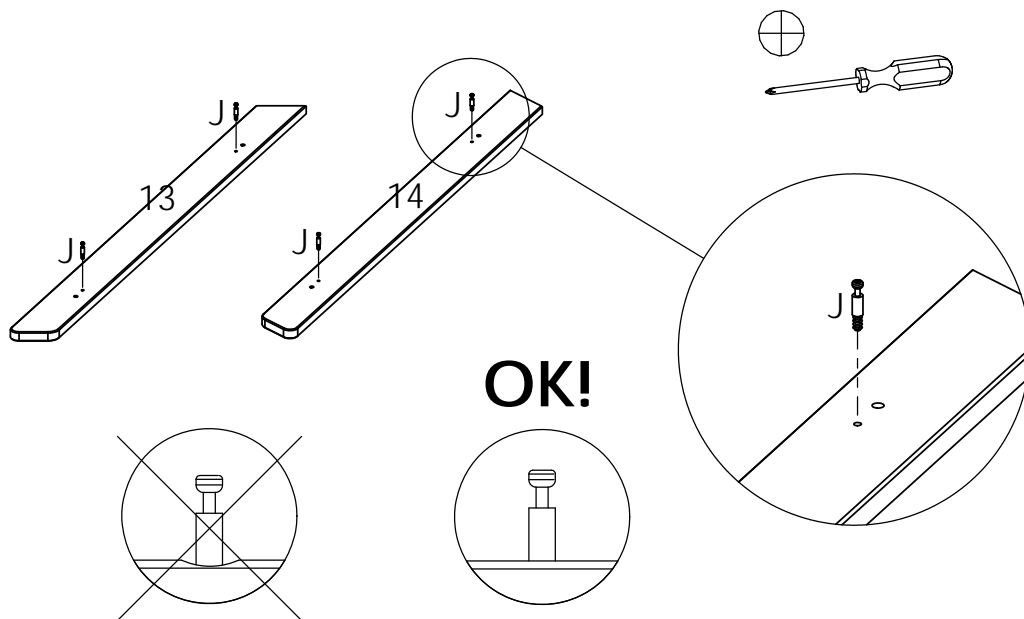
K		3,5x40	6
L		D38x3	4
M		D4x13	8
N		D15x18	12
P		D20	14
Q		7x60	1
R		D14x13,5	2
S		M8x8	2
T		4mm	1

1

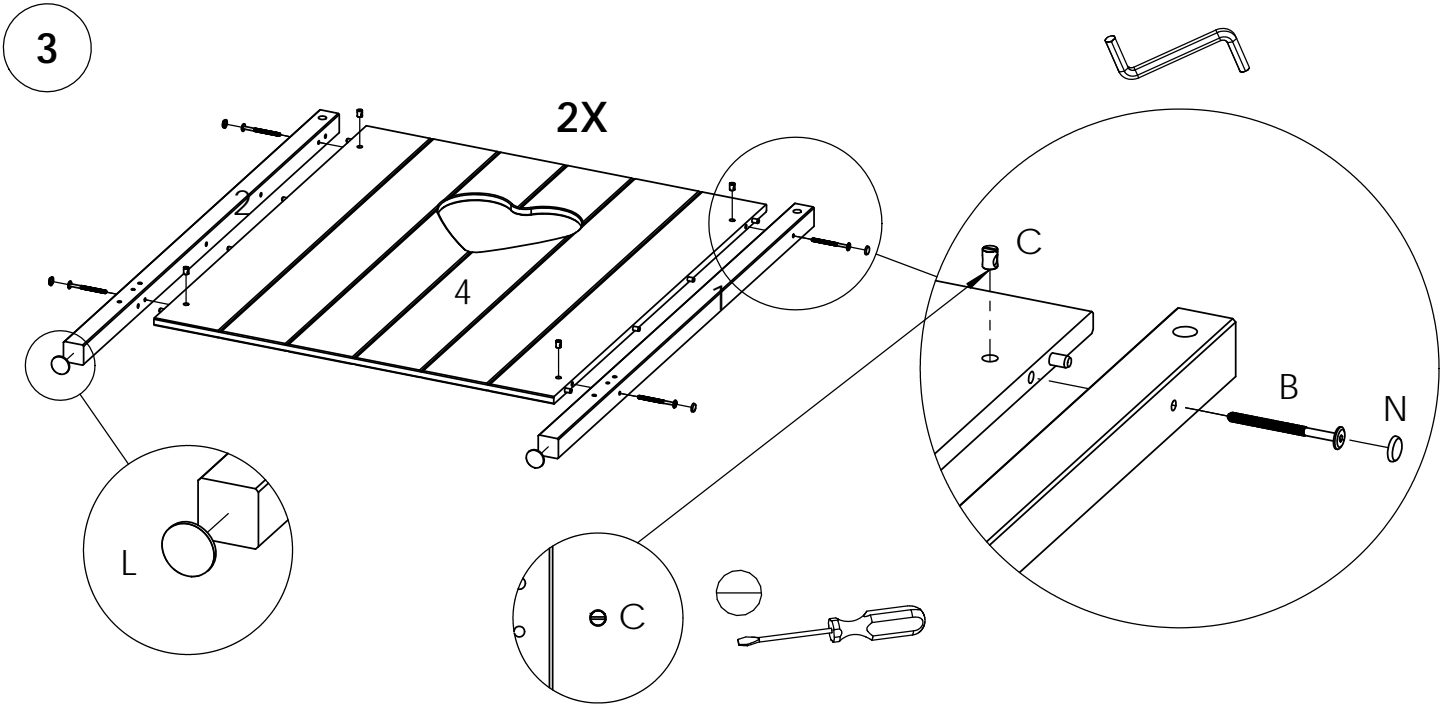




A		8x40	54
---	--	------	----


2

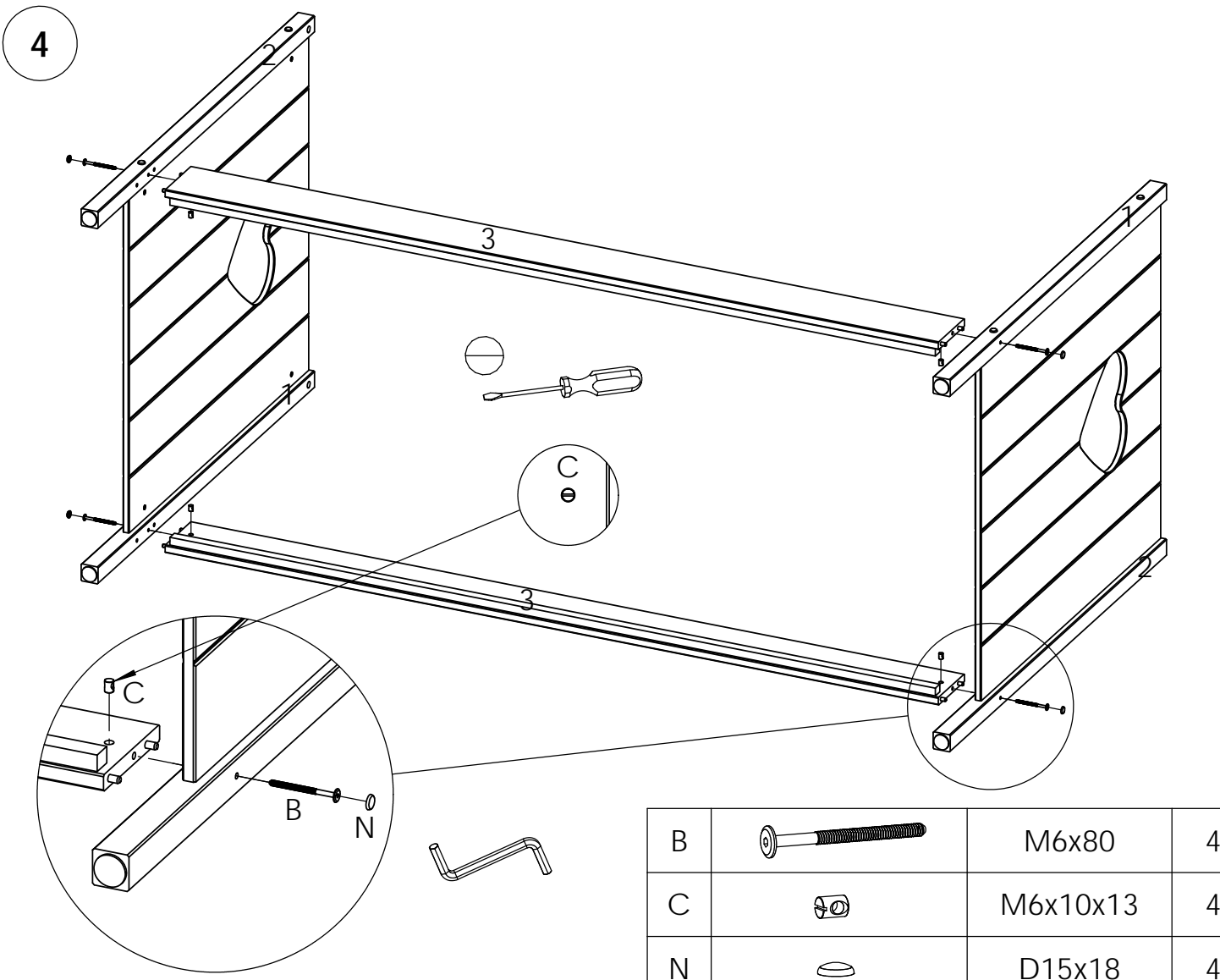





J		6,1x24x35	4
---	--	-----------	---



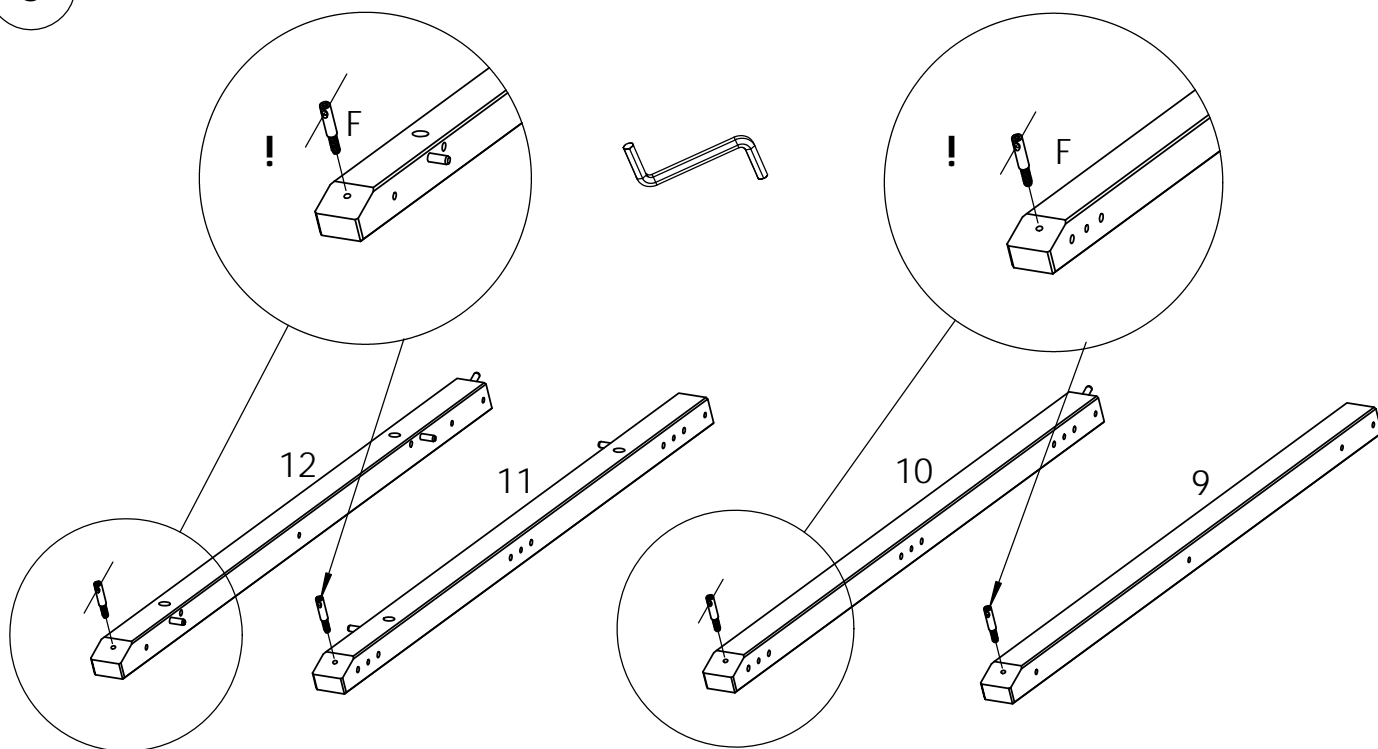
B		M6x80	8
C		M6x10x13	8


L		D38x3	4
N		D15x18	8



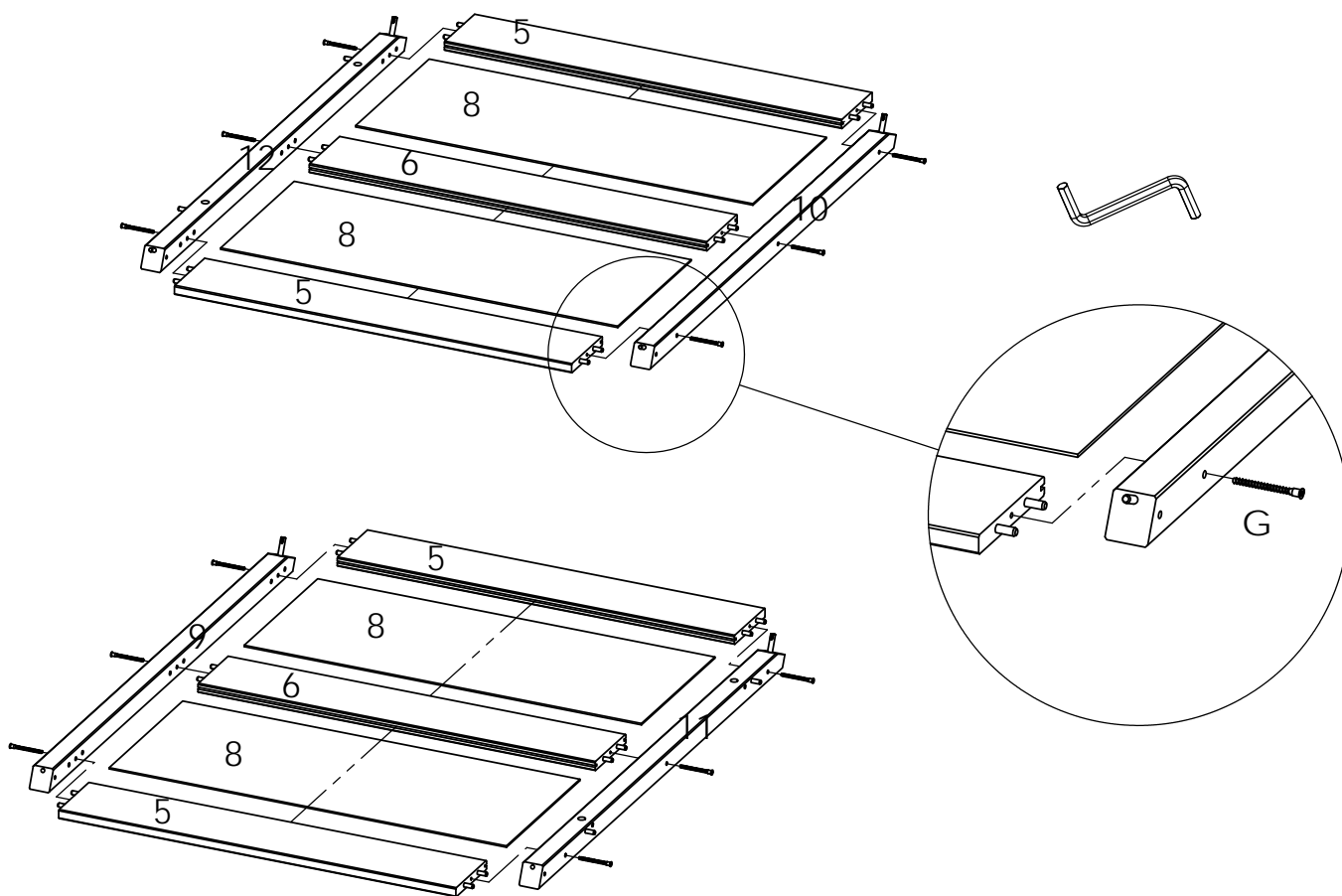
B		M6x80	4
C		M6x10x13	4
N		D15x18	4

5



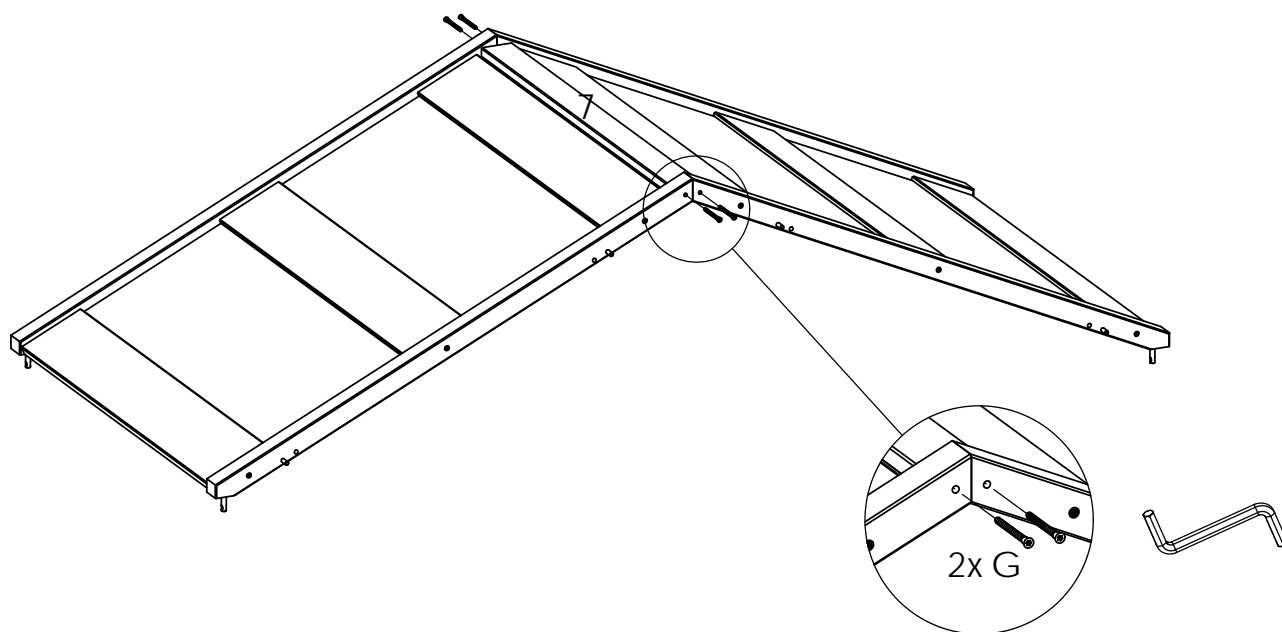
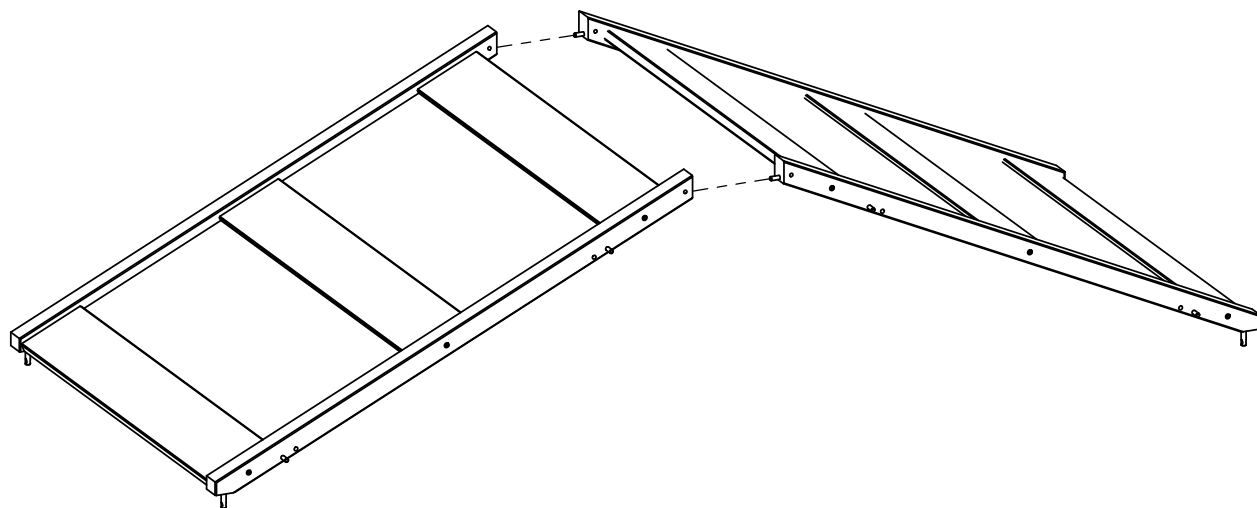
F		D9,8x37x60	4
---	---	------------	---

6

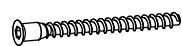


G		7x70	12
---	--	------	----

7



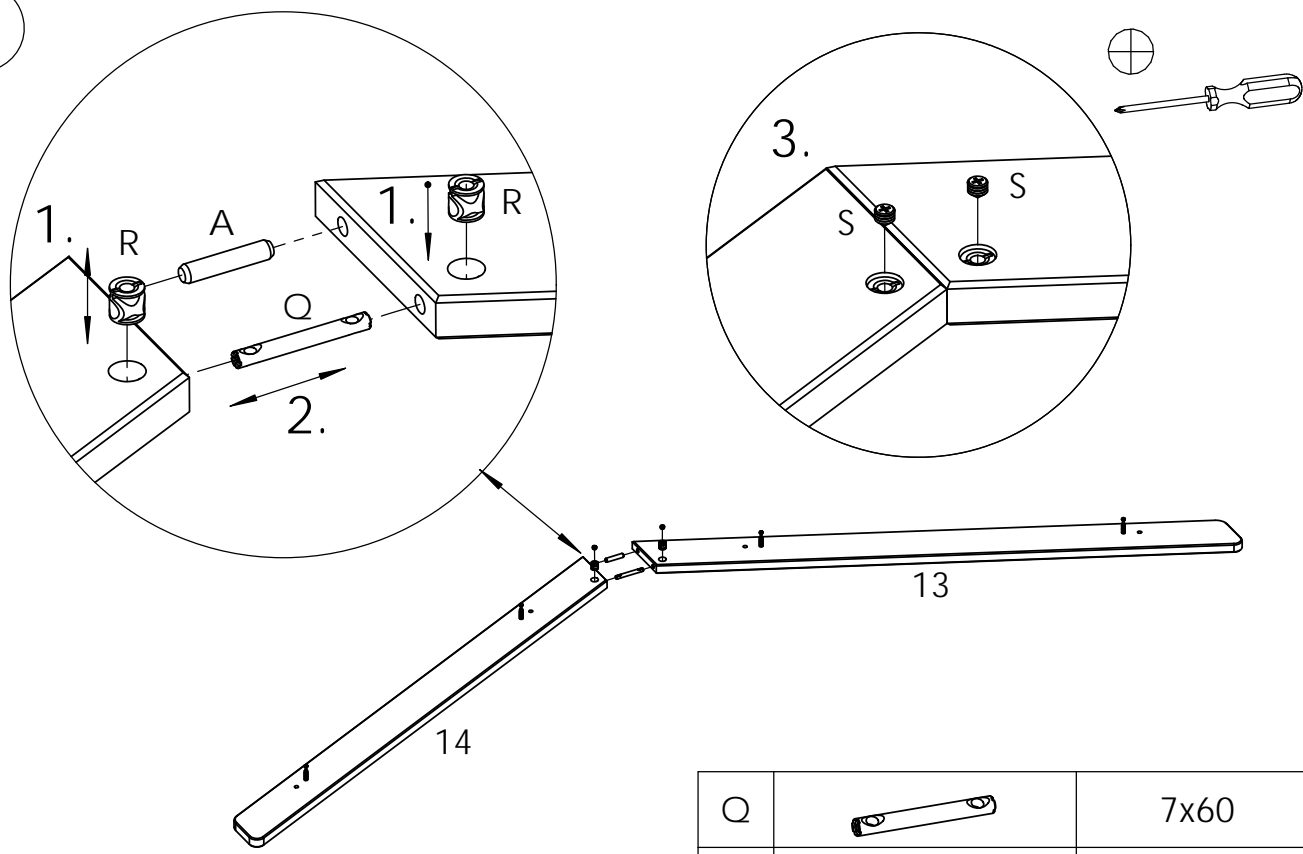
G






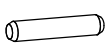
7x70

4

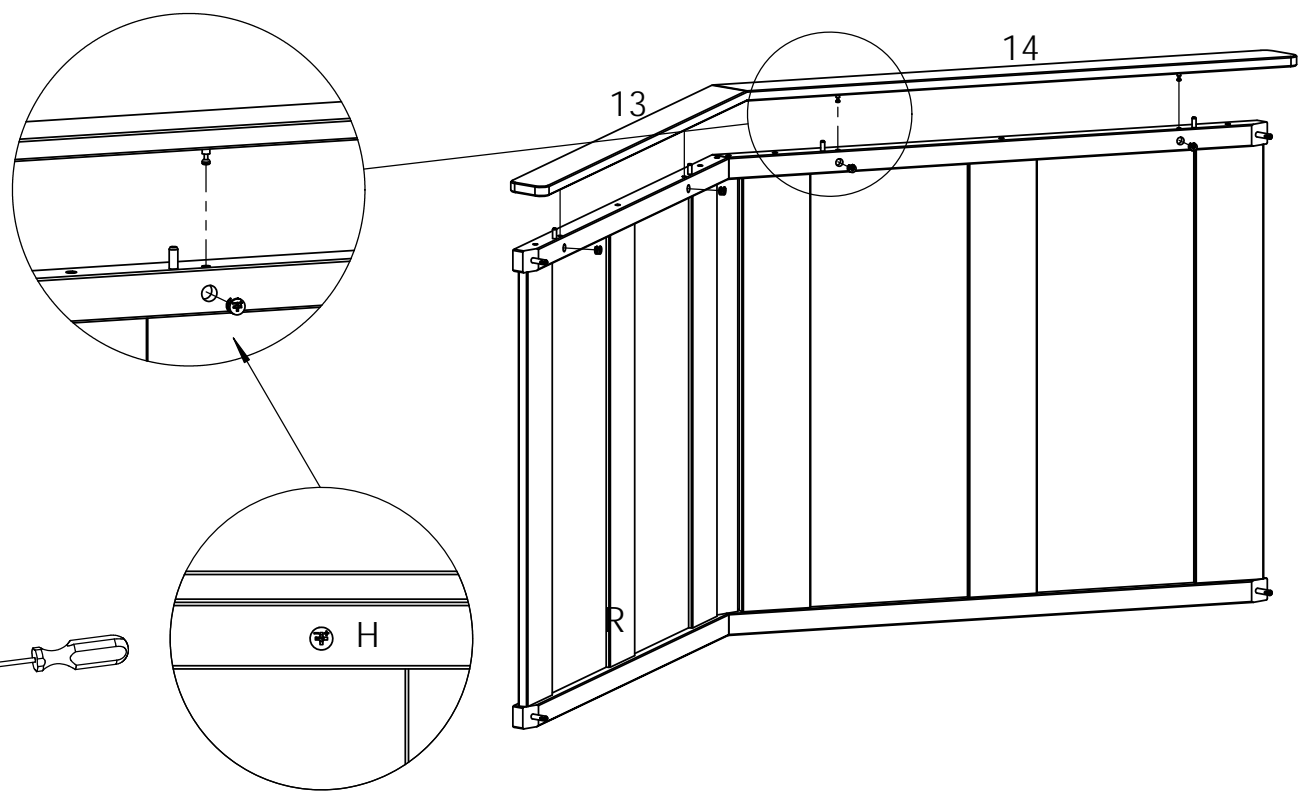
8



Q		7x60	1
R		D14x13,5	2
S		M8x8	2

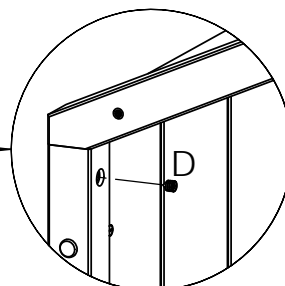
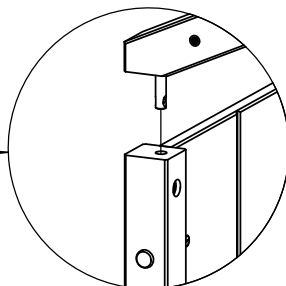
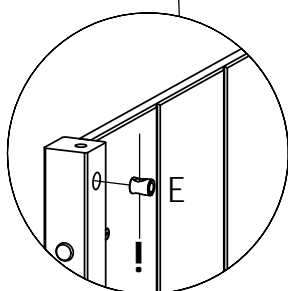
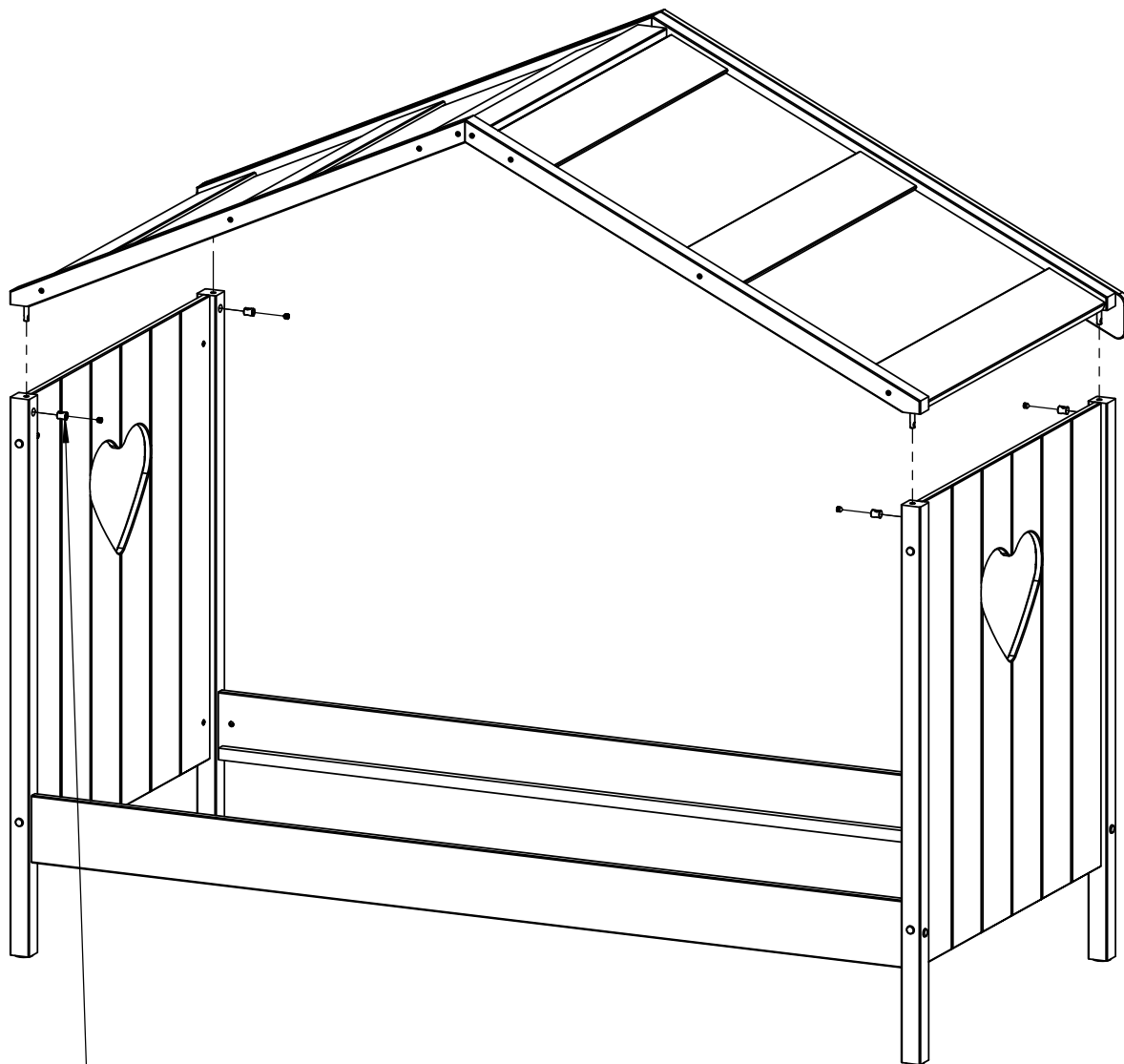
A		8x40	1
---	---	------	---



9



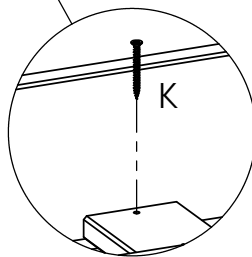
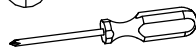
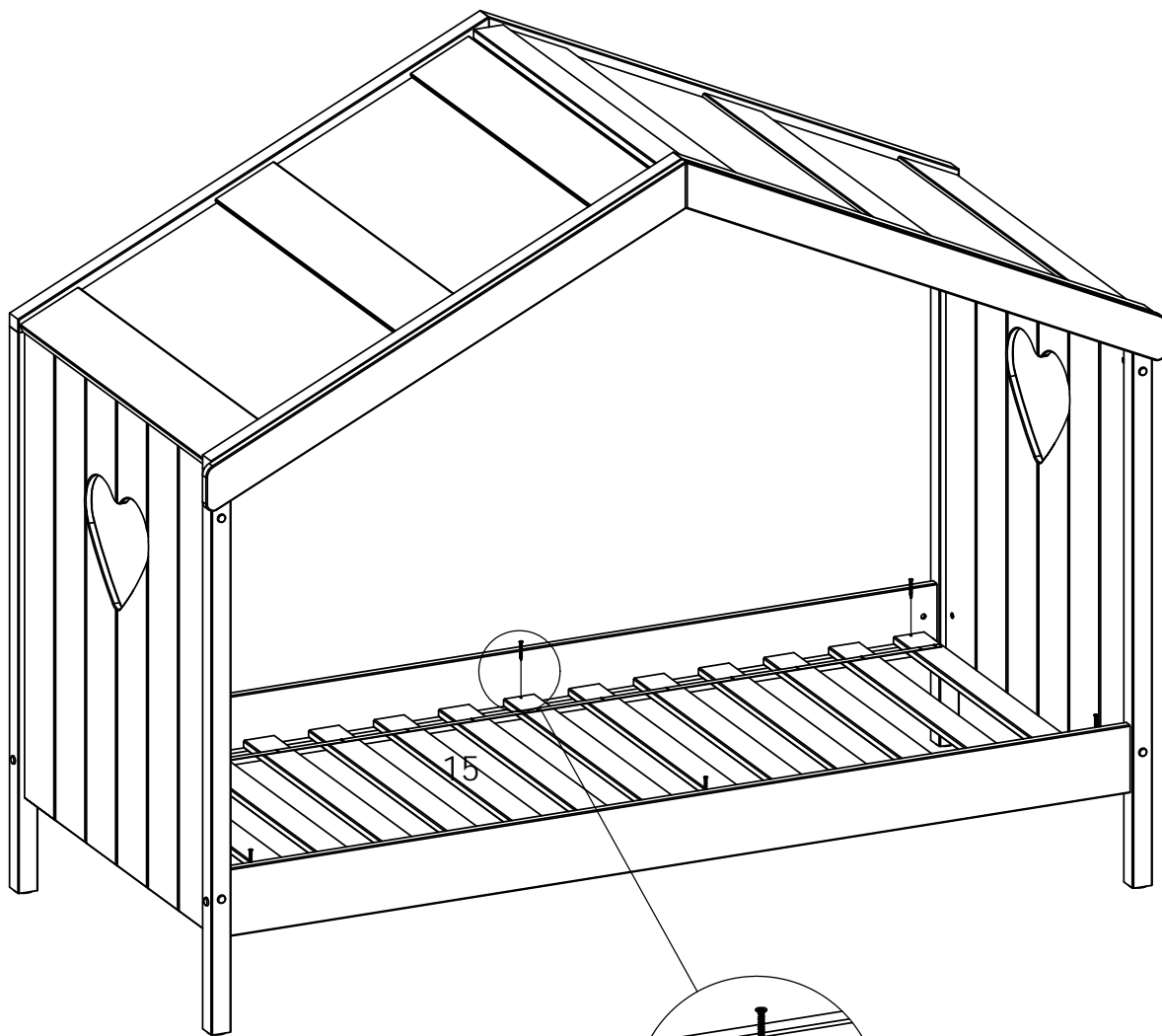
H		15x12	4
---	---	-------	---


10



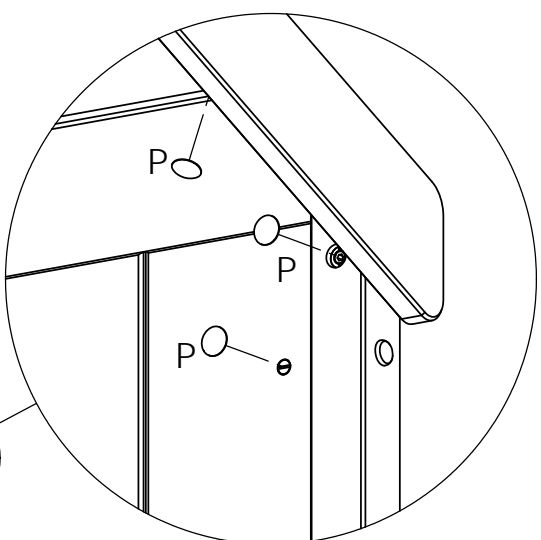
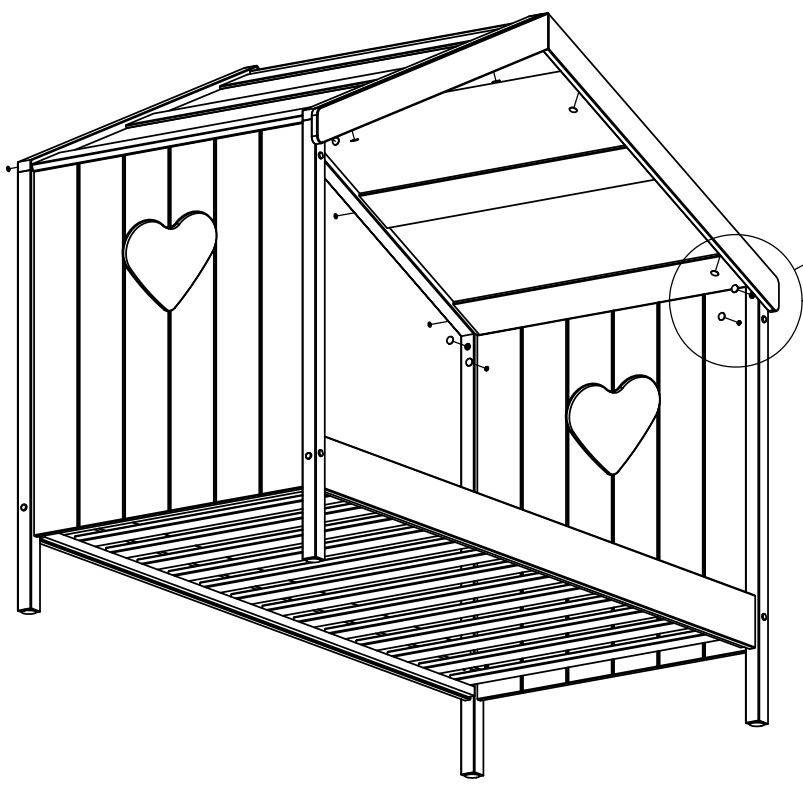
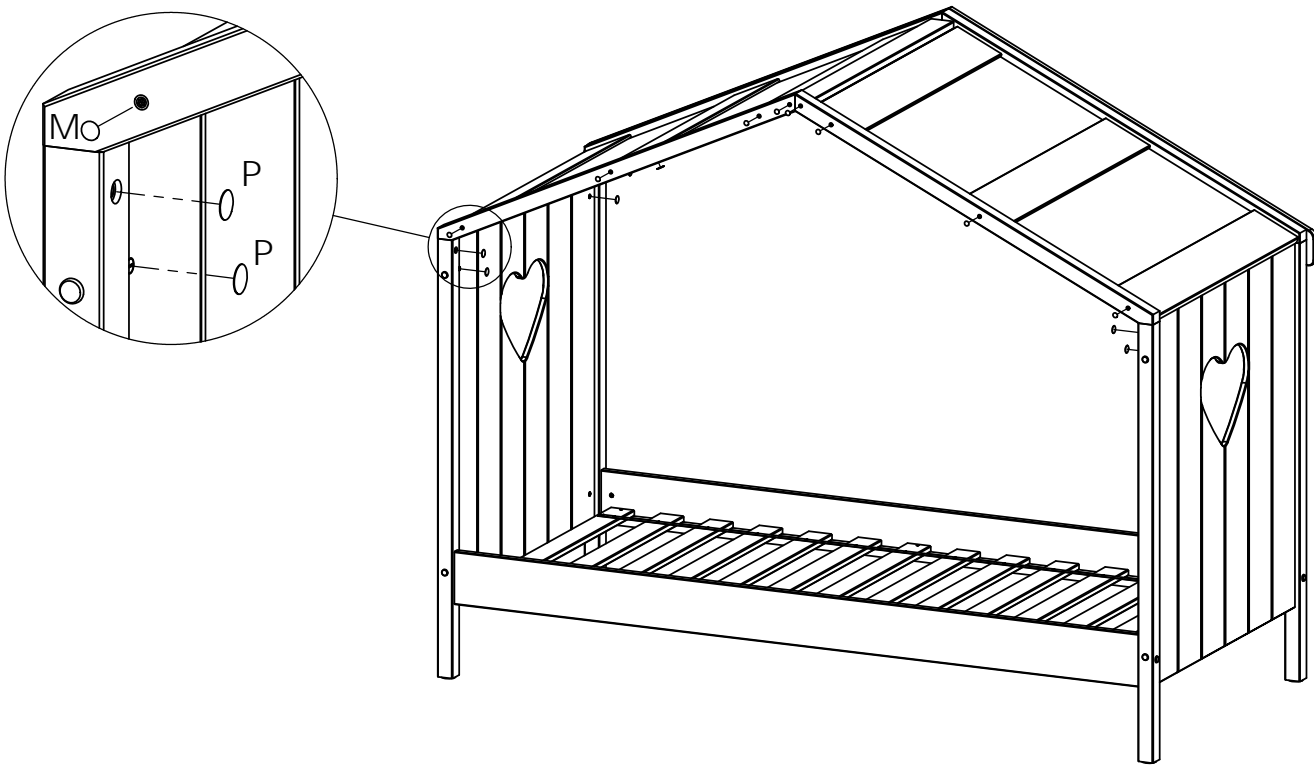
D		D10x12	4
E		D15x19	4

11



K		3,5x40	6
---	--	--------	---

12



M		D4x13	8
P		D20	14