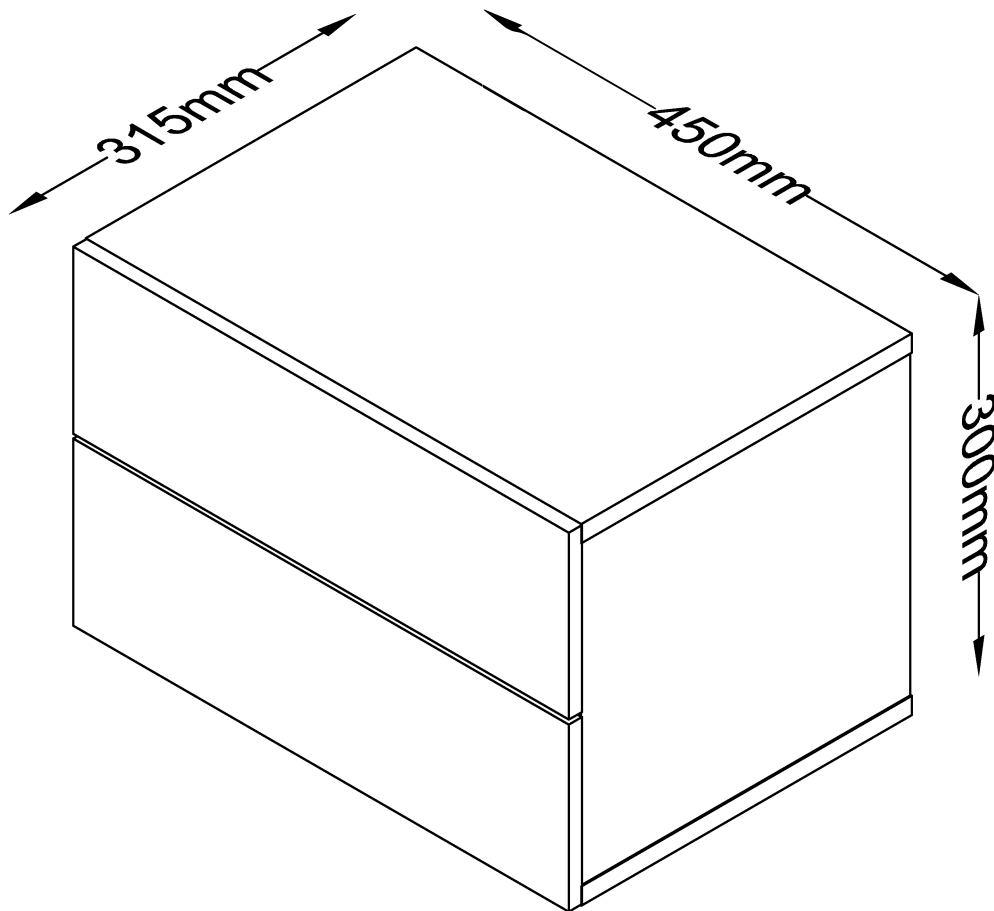


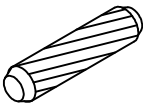

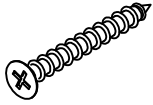
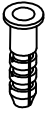
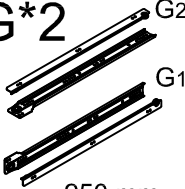

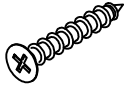


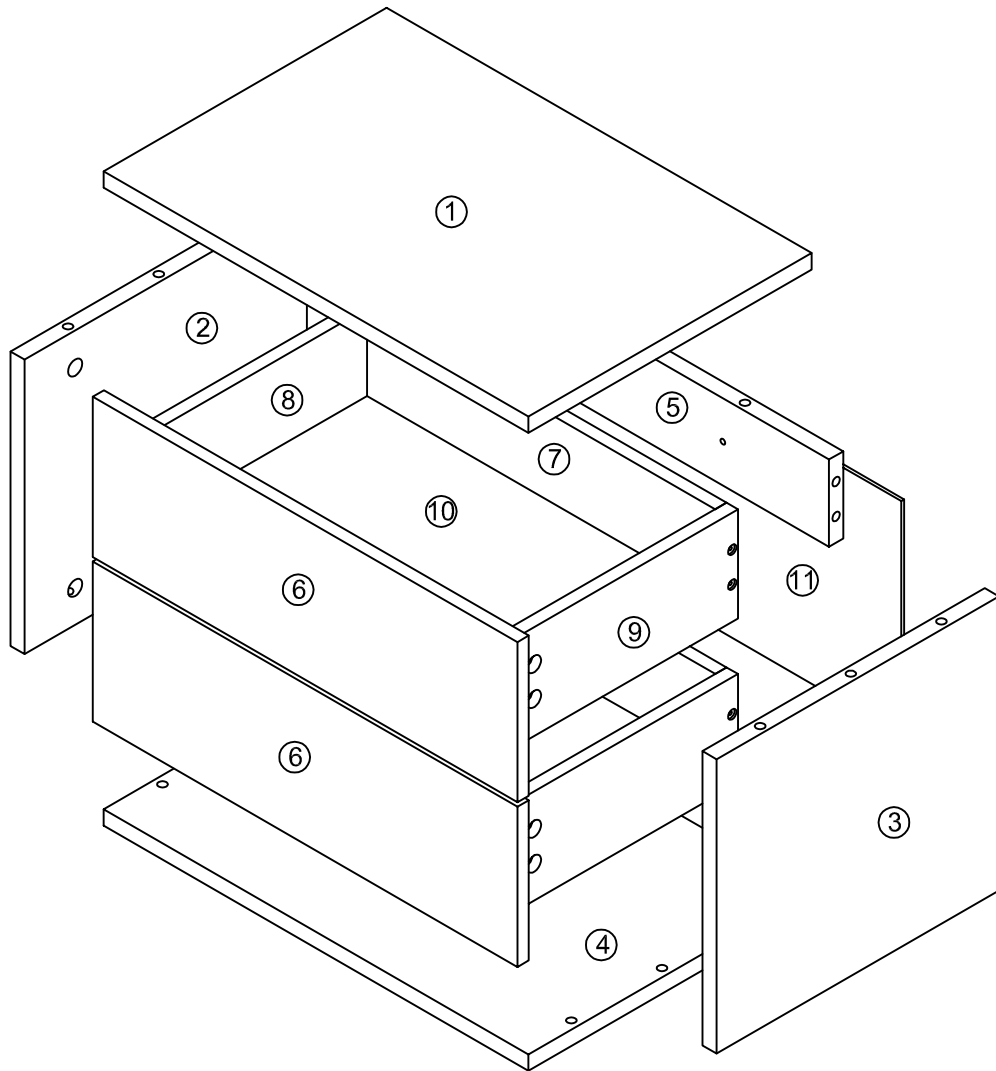


Wandschublade Usal L 45
Montageanleitung
Instruction manual

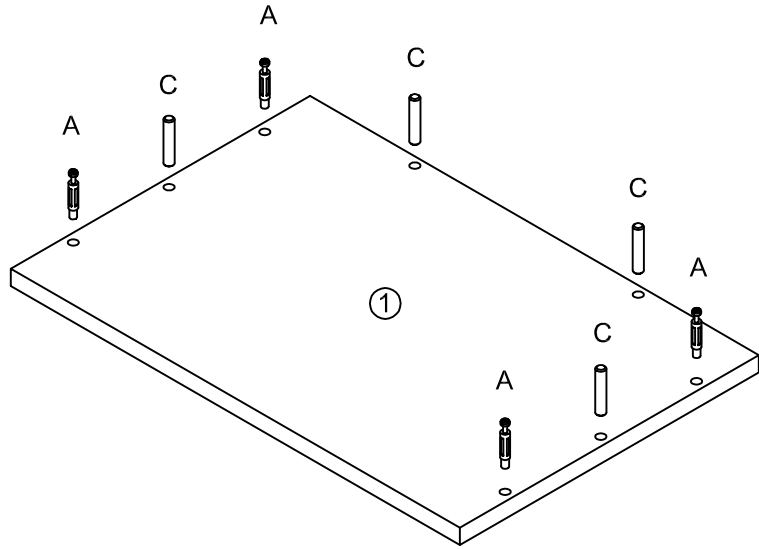
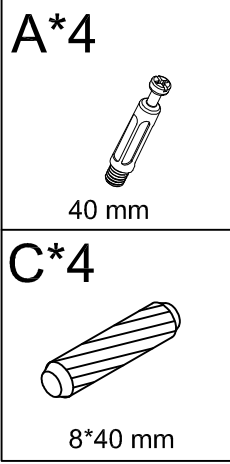


VCM Morgenthaler GmbH
D-79346 Endingen am Kaiserstuhl
service@vcm-gruppe.de
www.vcm-gruppe.de

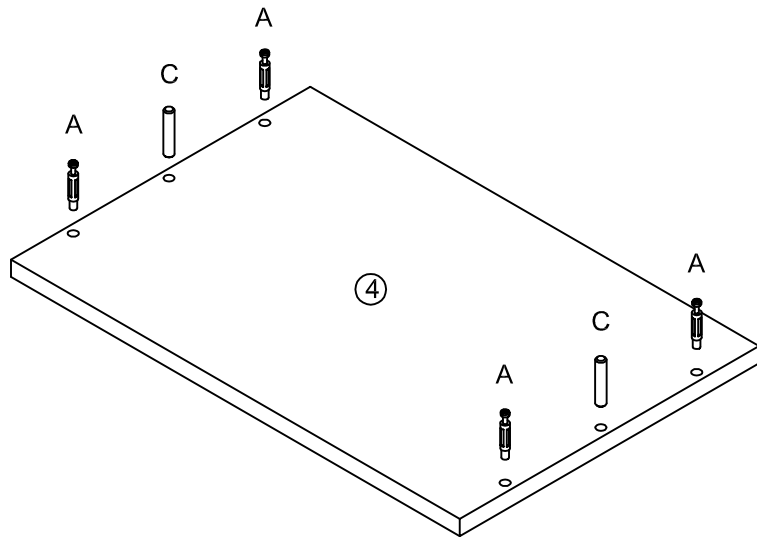
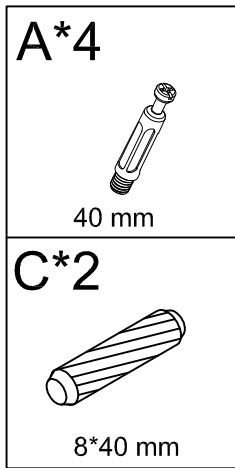
<p>A*20</p>  <p>40 mm</p>	<p>B*20</p>  <p>15*9 mm</p>	<p>C*6</p>  <p>8*40 mm</p>	<p>D*16</p>  <p>3.5*12mm</p>	<p>E*2</p>  <p>4*50mm</p>
<p>F*2</p>  <p>8*60mm</p>	<p>G*2</p>  <p>250 mm</p>	<p>H*6</p> 	<p>I*8</p>  <p>3.5*30 mm</p>	



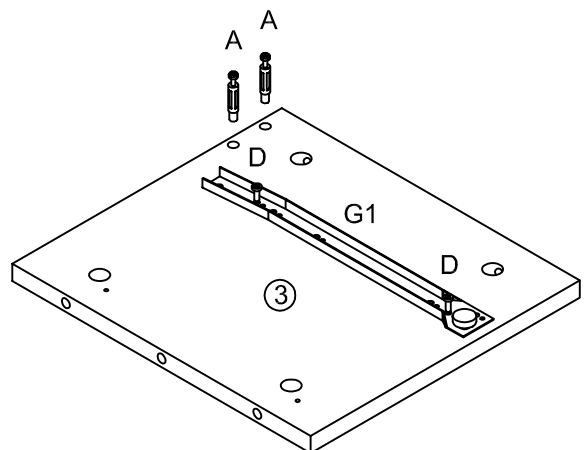
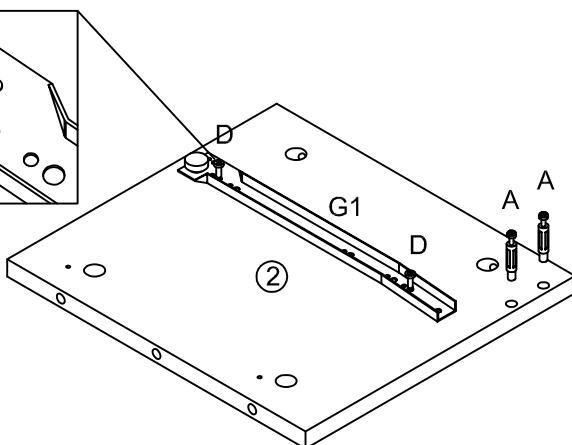
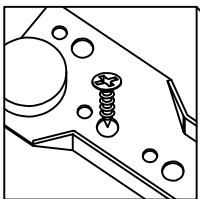
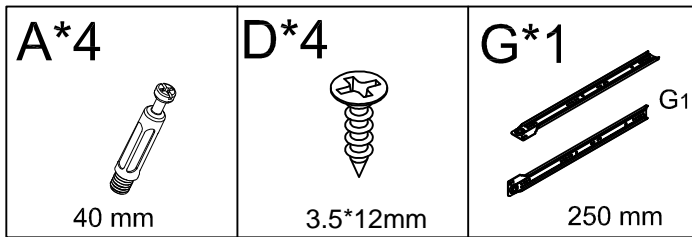
1



2

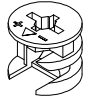


3

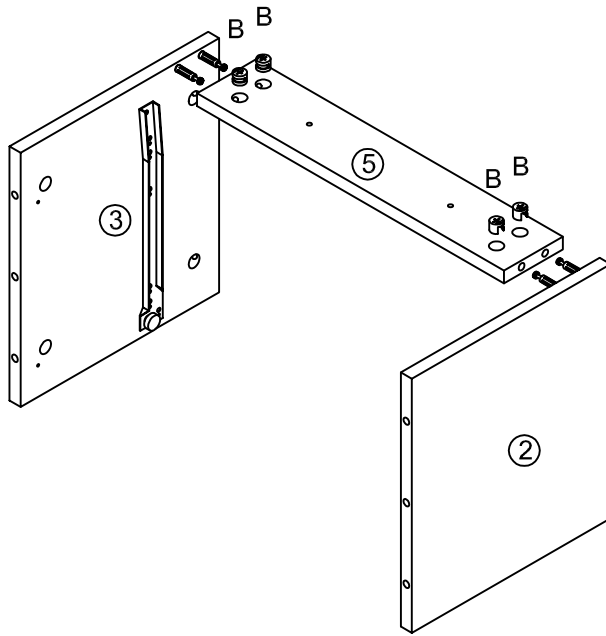


4

B*4



15*9 mm

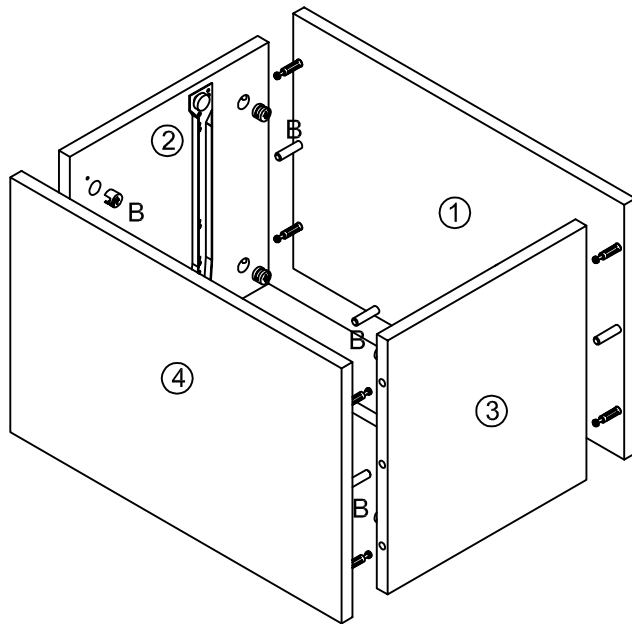


5

B*8



15*9 mm



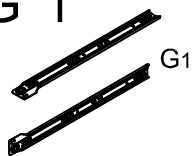
6

D*4

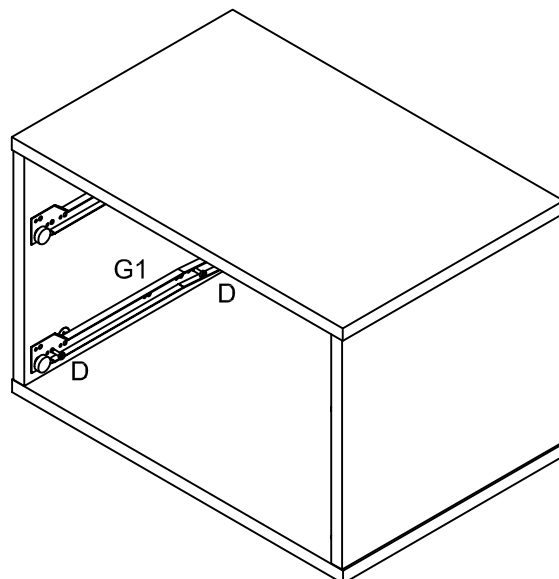


3.5*12mm

G*1

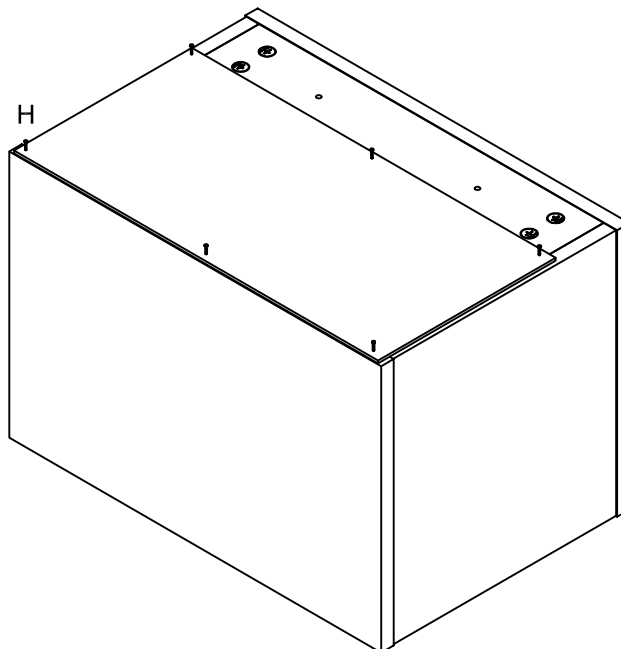


250 mm



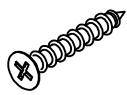
7

H*6

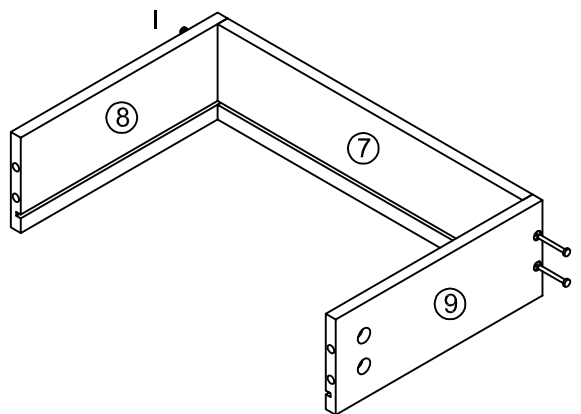


8

I*8

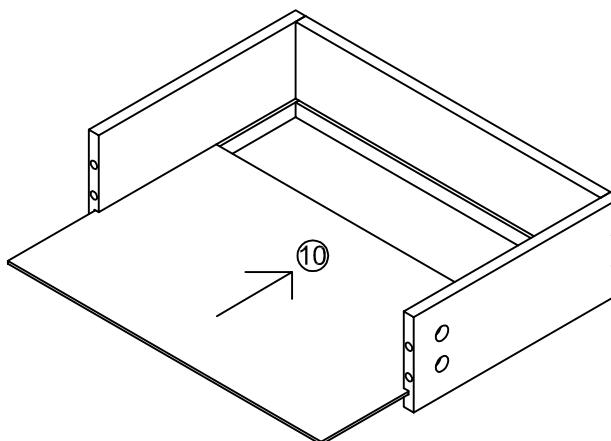


3.5*30 mm



x2

9



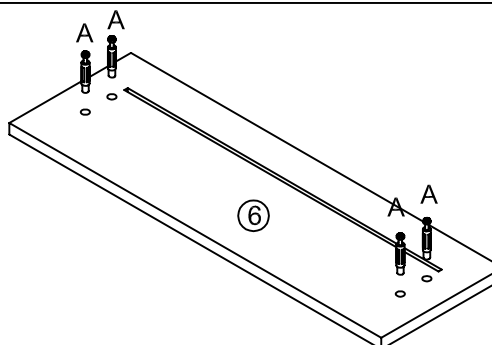
x2

10

A*8



40 mm



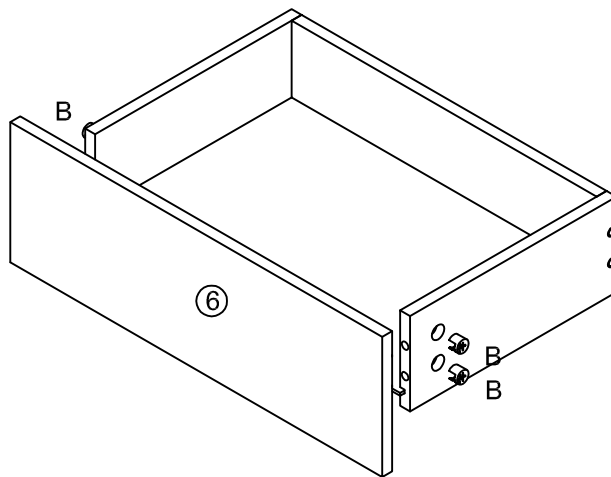
x2

11

B*8



15*9 mm



x2

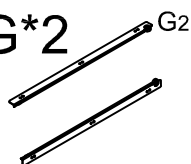
12

D*8

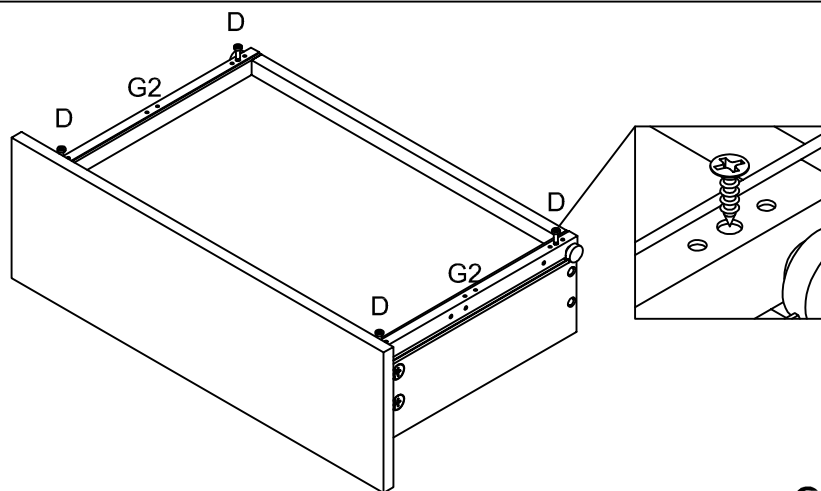


3.5*12mm

G*2



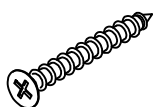
250 mm



x2

13

E*2



4*50mm

F*2



8*60mm

