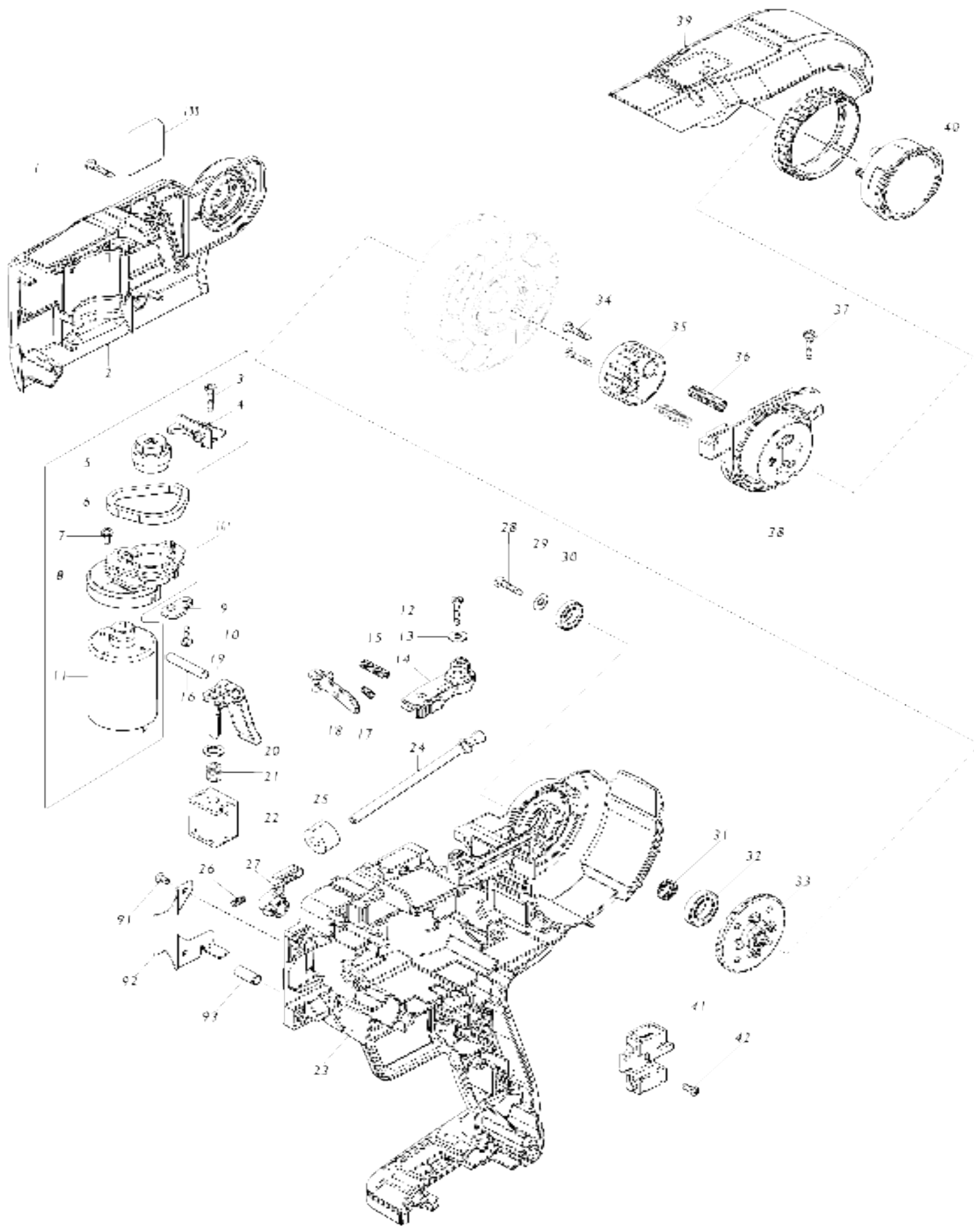
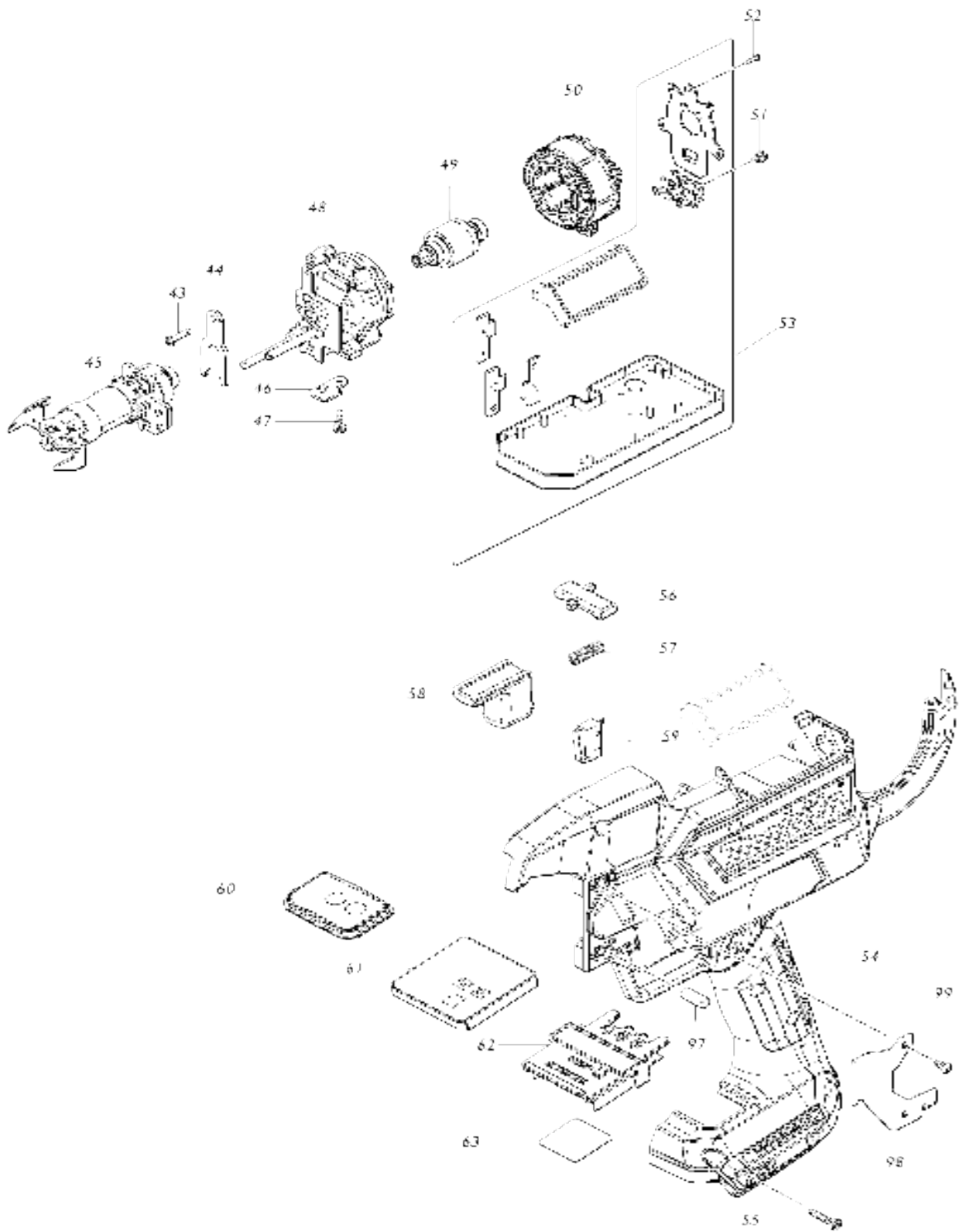


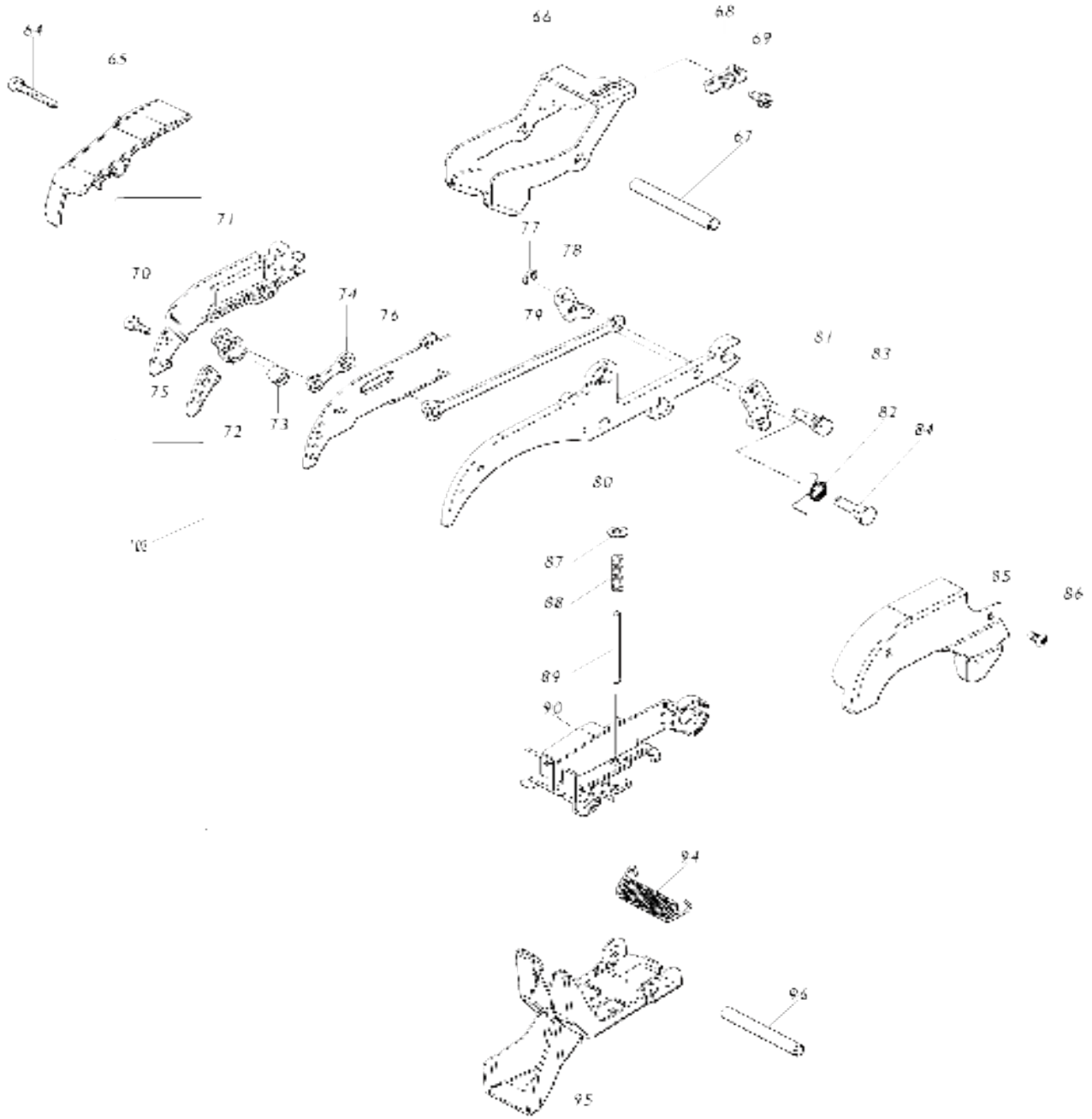
Model No.DTR181 CORDLESS REBAR TYING TOOL



# Model No.DTR181 CORDLESS REBAR TYING TOOL



# Model No.DTR181 CORDLESS REBAR TYING TOOL



Model No.DTR181 CORDLESS REBAR TYING TOOL

Item No.	Parts No.	Description	Interchangability	Q'ty	New/Old	Note1	Note2
001	266130-9	TAPPING SCREW BIND PT 3X16		4			
002	140V64-5	HOUSING COVER COMPLETE		1			
C10	817A35-8	INDICATION LABEL A		1			
C20	817A42-1	CAUTION LABEL A		1			
C30	817A44-7	CAUTION LABEL B		1			
003	266130-9	TAPPING SCREW BIND PT 3X16		1			
004	310864-7	WIRE GUIDE A		1			
005	135968-2	SPUR GEAR 30A ASSEMBLY		1			
006	422247-0	SPONGE SHEET A		1			
007	911008-8	PAN HEAD SCREW M3X8		2			
008	458222-0	MOTOR BASE		1			
009	620913-5	SENSOR CIRCUIT		1			
010	266007-8	TAPPING SCREW BIND PT 3X10		1			
011	629346-1	DC MOTOR		1			
012	266130-9	TAPPING SCREW BIND PT 3X16		1			
013	941051-3	FLAT WASHER 4		1			
014	136675-0	RELEASE LEVER ASS'Y		1			
015	232443-0	COMPRESSION SPRING 3		1			
016	256098-7	PIN 5		1			
017	232442-2	COMPRESSION SPRING 3		1			
018	458223-8	LOCK LEVER		1			
019	140A85-1	BRAKE ARM COMPLETE		1	*		
019-1	140A85-1	BRAKE ARM COMPLETE	O	1			
020	941152-7	FLAT WASHER 6		1			
021	232446-4	COMPRESSION SPRING 7		1			
022	679032-4	SOLENOID		1			
023	183W01-2	HOUSING SET		1			
C10	263005-3	RUBBER PIN 6		2			
C20	252126-6	HEX. LOCK NUT M4-7		2			
C30	931002-4	HEX. NUT M3		6			
C40	817A46-3	CAUTION LABEL C		1			
D10		INC. 54					
024	140L14-0	WIRE GUIDE PIPE COMPLETE		1			
025	422249-6	SPONGE SHEET B		1			
026	232442-2	COMPRESSION SPRING 3		1			
027	144901-3	MAGNET ARM CCOMPLETE		1			
028	266130-9	TAPPING SCREW BIND PT 3X16		1			
029	941051-3	FLAT WASHER 4		1			
030	211478-4	BALL BEARING 689		1			
031	232508-8	COMPRESSION SPRING 10		1			
032	211136-2	BALL BEARING 6801LLB		1			
033	140H97-6	MAGNET WHEEL COMPLETE		1			
034	266130-9	TAPPING SCREW BIND PT 3X16		2			
035	319822-0	REEL BEARING		1			
036	231294-8	COMPRESSION SPRING 6		2			
037	266130-9	TAPPING SCREW BIND PT 3X16		2			
038	458225-4	REEL BASE		1			

039	458216-5	REEL COVER		1		
040	458221-2	REEL BEARING CAM		1		
041	126743-7	STOPPER ASSEMBLY		1		
042	265199-0	+ PAN HEAD SCREW M3X8		2		
043	911017-7	PAN HEAD SCREW M3X12		1		
044	310866-3	BEARING RTAINER		1		
045	141D23-4	MAIN SLEEVE COMPLETE		1		
046	620913-5	SENSOR CIRCUIT		1		
047	266007-8	TAPPING SCREW BIND PT 3X10		1		
048	126838-6	GEAR ASSEMBLY		1		
049	619520-9	ROTOR		1		
050	629343-7	STATOR		1		
051	652069-6	FLAT HEAD SCREW M3X6		3		
052	266490-9	TAPPING SCREW PT 2X6		3		
053	140X54-0	MAIN CONTROLLER COMPLETE		1		
C10	817A37-4	INDICATION LABEL B		1		
054	183W01-2	HOUSING SET		1		
C10	263005-3	RUBBER PIN 6		2		
C20	252126-6	HEX. LOCK NUT M4-7		2		
C30	931002-4	HEX. NUT M3		6		
C40	817A46-3	CAUTION LABEL C		1		
D10		INC. 23				
055	266130-9	TAPPING SCREW BIND PT 3X16		11		
056	458219-9	TRIGGER LOCK		1		
057	234037-7	COMPRESSION SPRING 5		1		
058	458220-4	TRIGGER		1		
059	632L94-5	SWITCH UNIT		1		
060	140B67-9	SWITCH PLATE COMPLETE		1		
C10	817A39-0	INDICATION LABEL C		1		
061	620924-0	SWITCH CIRCUIT		1	*	
061-1	620R89-6	SWITCH CIRCUIT	O	1		
062	643860-3	TERMINAL		1		
063	811K07-5	DTR181 SERIAL NO. LABEL		1		
064	265633-0	HEX SOCKET HEAD BOLT M3X20		1		
065	458217-3	CONTACT PLATE COVER		1		
066	347831-9	CONTACT PLATE		1		
067	256573-3	PIN 5		1		
068	144903-9	MAGNET BASE B COMPLETE		1		
069	911008-8	PAN HEAD SCREW M3X8		1		
070	265634-8	HEX SOCKET HEAD BOLT M3X8		1		
071	162945-1	WIRE GUIDE B COMPLETE		1	*	
071-1	141S52-7	WIRE GUIDE B COMPLETE	<	1		
072	310815-0	CUTTER B		1		
073	310814-2	CUTTER A		1		
074	161872-9	LINK ARM A COMPLETE		1		
075	347773-7	TOP PLATE		1		
076	347772-9	GUIDE PLATE A		1		
077	961017-7	STOP RING E-3		2		
078	347720-8	PULL PLATE		1		
079	162943-5	LINK ARM B COMPLETE		1		
080	347770-3	GUIDE ARM A		1		
081	347329-6	PUSH PLATE		1		

082	232445-6	TORSION SPRING 7		1		
083	256400-4	SHOULDER PIN 4		1		
084	256399-3	SHOULDER PIN 4		1		
085	347771-1	GUIDE PLATE B		1		
086	265635-6	H.S.BUTTON HEAD SCREW M3X6		2		
087	941001-8	FLAT WASHER 3		1		
088	232444-8	COMPRESSION SPRING 4		1		
089	256390-1	PIN 3		1		
090	458226-2	LEAD HOLDER		1		
091	265635-6	H.S.BUTTON HEAD SCREW M3X6		2		
092	347813-1	SIDE PLATE R		1		
093	263040-1	RUBBER PIN 6		1		
094	232448-0	TORSION SPRING 6		1		
095	162946-9	CURL GUIDE COMPLETE		1		
096	256573-3	PIN 5		1		
097	263040-1	RUBBER PIN 6		1		
098	347812-3	SIDE PLATE L		1		
099	265635-6	H.S.BUTTON HEAD SCREW M3X6		2		
100	811K01-7	DTR181 NAME PLATE		1		
101	135999-1	DC MOTOR ASSY		1		
D10		INC. 3-8,11				
102	136447-3	GUIDE ARM ASSY		1	*	
D10		INC. 66-90				
102-1	136948-1	GUIDE ARM ASSY	<	1		
D10		INC. 66-90				
A01	251314-2	+ SCREW M4X12		1		
A02	346449-3	HOOK		1		
A03	783208-8	HEX. WRENCH 2.5		1		
A04	162755-6	NYLON BRUSH		1		
A05	140S63-9	CONNECTOR P.CASE (TYPE4) CO MP.		1		
C10	453974-8	LATCH		4		
C20	8008X6-2	CAUTION LABEL		1		
A06	8035D2-1	DTR181ZJ INDICATION LABEL		1		
A07	8035D3-9	DTR181ZJ PLASTIC CASE LABEL		2		
A08	835W33-2	INNER TRAY		1	*	
A08-1	8351L5-9	INNER TRAY	<	1		
F02	191J59-9	POLY COATED TIE WIRE SET		1		
F03	191M27-0	EXTENSION HANDLE SET		1		
F06	1911H9-6	WIRE GUIDE B COMPLETE(EG) SE T		1	*	
F06-1	1913F2-8	WIRE GUIDE B COMPLETE(EG) SE T	<	1		

Please state Parts No. when your order.

Print Date 09/02/2024