

**D** Gebrauchsanweisung

**NL** Gebruiksrichtlijnen

**IT** Istruzioni per l'uso

**CZ** Pokyny k použití

**HU** Használati útmutató

**PT** Instruções de utilização

**SK** Pokyny k použitiu

**GB** Instructions for use

**FR** Instructions d'utilisation

**PL** Instrukcja obsługi

**ES** Instrucciones de empleo

**RO** Instrucțiuni de folosire

**RU** Инструкция по монтажу

**TR** Kullanım talimatları

Please check that you have all the parts listed before you start assembling, if you do find that something is missing, do not continue assembly, please contact us immediately.

**NOTE:** Please do not completely tighten all the hardware until the entire assembly is complete!

Bitte überprüfen Sie, ob alle Teile mitgeliefert sind, bevor Sie mit der Montage beginnen.

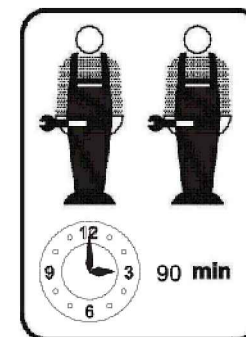
Wenn Sie festlegen, dass etwas fehlt, setzen Sie die Montage nicht fort. Bitte kontaktieren Sie uns sofort.

**Achtung :** Bitte ziehen Sie nicht alle Schrauben fest, bevor die Montage abgeschlossen ist !

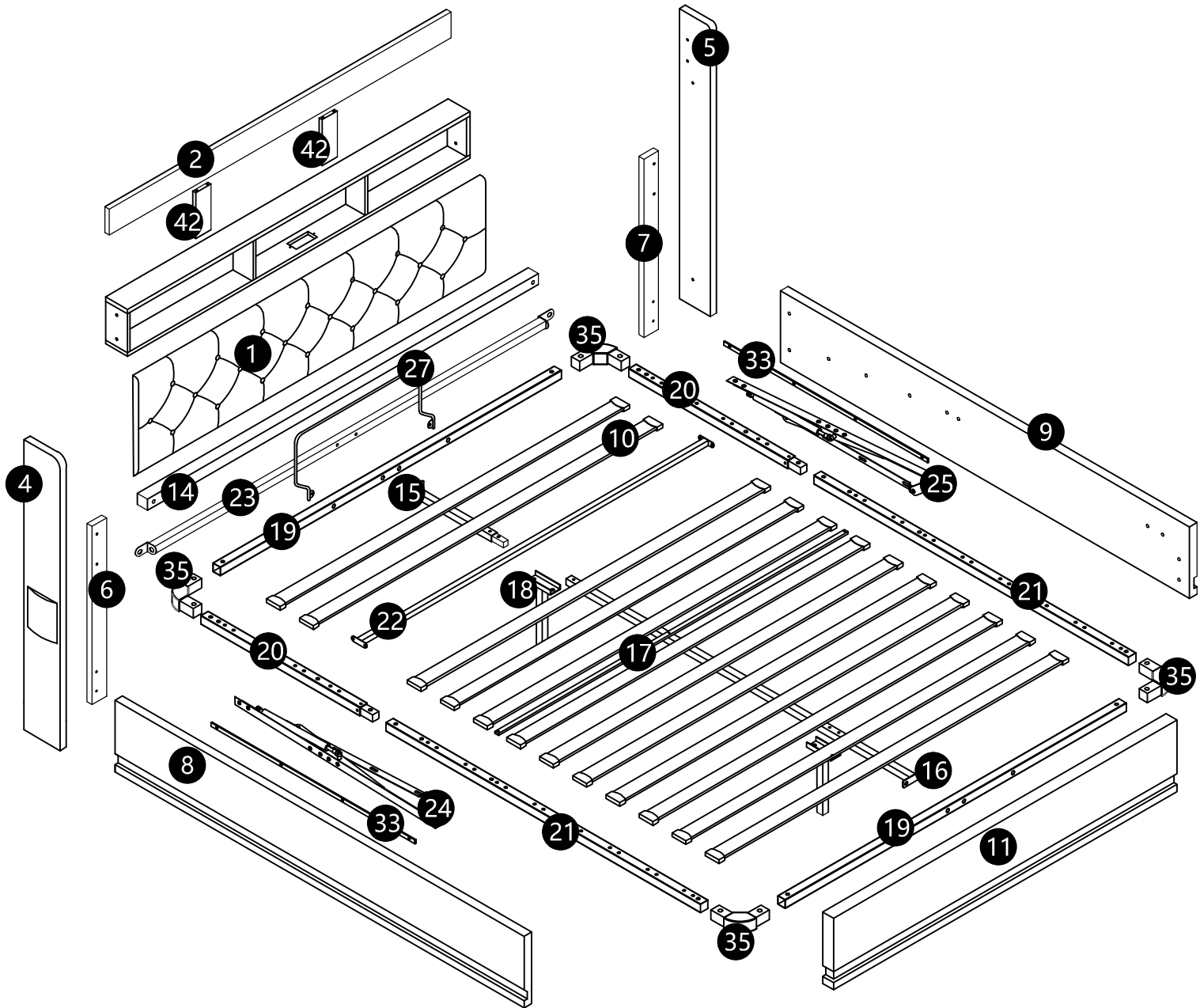
This set will be shipped by 2 boxes and they may arrive on different days. If both packages arrived but parts missing, please contact customer service.

Dieses Set ist in 2 Boxen enthalten. Wenn Sie keine vollen 2 Boxen erhalten, wenden Sie sich bitte an unseren Kundenservice

**SKU: N623P230770/N623P230772**



# Assembly Instruction of bed



## English

### IMPORTANT FOR GAS LIFT BEDS&MAINTAINANCE

- Please place the mattress on top of the bed frame.
- Please do not pull on the strap handles.
- Please press heavily to release the compressed gas.
- Periodically check all screw & fixings to ensure they are secure.
- When moving your product, carefully lift into place.
- Wipe clean with a slightly damp cloth- please do not use abrasive chemicals or bleach.
- Do NOT allow children to operate the lift mechanism.
- Do NOT allow children near the lift base when operating the mechanism.
- Do NOT stand inside the bed or the internal storage base.
- Do NOT overload the internal storage base.
- DO NOT jump on the product or any of its parts.

## Deutsch

### WICHTIG FÜR GASLIFT-BETTEN&WARTUNG

- Bitte legen Sie die Matratze oben auf den Bettrahmen.
- Bitte ziehen Sie nicht an den Gurtgriffen.
- Bitte drücken Sie kräftig, um das komprimierte Gas freizusetzen.
- Überprüfen Sie regelmäßig alle Schrauben und Befestigungen, um sicherzustellen, dass sie sicher sind.
- Wenn Sie Ihr Produkt bewegen, heben Sie es vorsichtig an seinen Platz.
- Mit einem leicht feuchten Tuch abwischen - bitte keine scheuernden Chemikalien oder Bleichmittel verwenden.
- Erlauben Sie Kindern NICHT, den Hebemechanismus zu bedienen.
- Lassen Sie Kinder NICHT in die Nähe des Liftsockels, wenn Sie den Mechanismus bedienen.
- Stellen Sie sich NICHT in das Bett oder in die Innenablage.
- Überlasten Sie den internen Liftsockel NICHT.
- Springen Sie NICHT auf das Produkt oder eines seiner Teile.

## Français

### IMPORTANT POUR LES LITS À RELEVAGE DE GAZ&MAINTENANCE

- Veuillez placer le matelas sur le dessus du cadre de lit.
- Ne tirez pas sur les poignées de la sangle.
- Appuyez fortement pour libérer le gaz comprimé.
- Vérifiez régulièrement que toutes les vis et fixations sont bien en place.
- Lorsque vous déplacez votre produit, soulevez-le avec précaution pour le mettre en place.
- Nettoyez avec un chiffon légèrement humide - n'utilisez pas de produits chimiques abrasifs ou d'eau de Javel.
- Ne laissez pas les enfants utiliser le mécanisme de levage.
- Ne laissez pas les enfants s'approcher de la base de levage lorsqu'ils actionnent le mécanisme.
- Ne vous tenez PAS à l'intérieur du lit ou de la base de stockage interne.
- Ne surchargez pas la base de stockage interne.
- Ne pas sauter sur le produit ou l'une de ses parties.

## Italiano

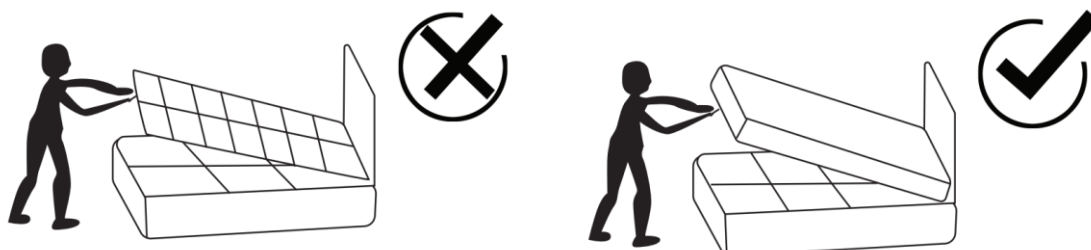
### IMPORTANTE PER I LETTI CON SOLLEVAMENTO A GAS E LA MANUTENZIONE

- Posizionare il materasso sopra la struttura del letto.
- Non tirare le maniglie della cinghia.
- Premere con forza per rilasciare il gas compresso.
- Controllare periodicamente tutte le viti e i fissaggi per assicurarsi che siano saldi.
- Quando si sposta il prodotto, sollevarlo con cautela.
- Pulire con un panno leggermente umido, senza usare prodotti chimici abrasivi o candeggina.
- NON permettere ai bambini di azionare il meccanismo di sollevamento.
- NON permettere ai bambini di avvicinarsi alla base di sollevamento quando si aziona il meccanismo.
- NON sostare all'interno del letto o della base di contenimento interna.
- NON sovraccaricare la base di contenimento interna.
- NON saltare sul prodotto o sulle sue parti.

## Español




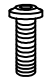
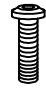
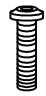
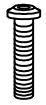
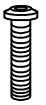
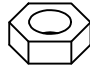
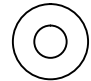
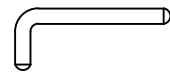
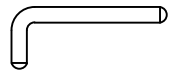

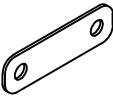
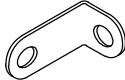

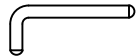



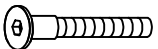

### IMPORTANTE PARA LAS CAMAS ELEVADORAS DE GAS&MANTENIMIENTO

- Coloque el colchón sobre el somier.
- No tire de las asas de la correa.
- Presione con fuerza para liberar el gas comprimido.
- Compruebe periódicamente que todos los tornillos y fijaciones estén bien sujetos.
- Al mover el producto, levántelo con cuidado para colocarlo en su sitio.
- Limpie con un paño ligeramente humedecido; no utilice productos químicos abrasivos ni lejía.
- NO permita que los niños accionen el mecanismo de elevación.
- NO permita que los niños se acerquen a la base elevadora cuando accionen el mecanismo.
- NO se ponga de pie dentro de la cama o de la base de almacenamiento interna.
- NO sobrecargue el somier.
- NO salte sobre el producto ni sobre ninguna de sus piezas.



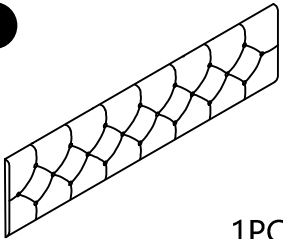
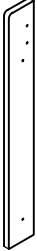

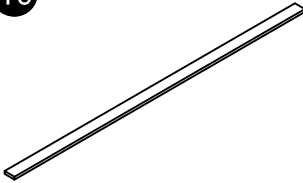
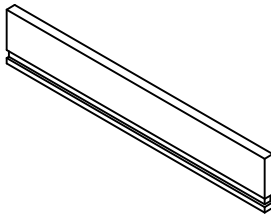
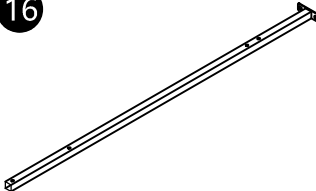
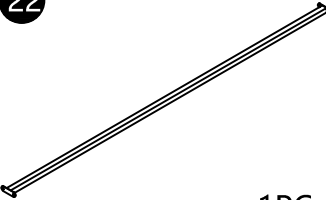
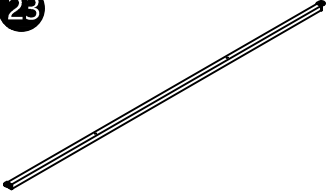

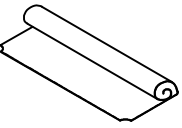
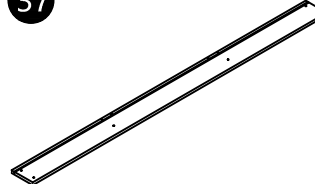

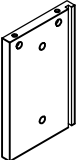
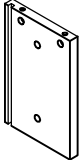
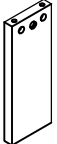
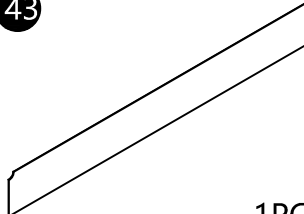
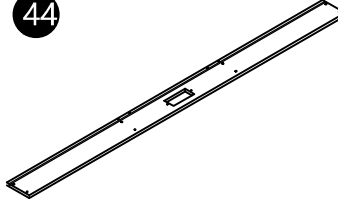
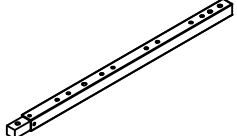
# Assembly Instruction of bed

Hardware parts x B SKU: N623P230772

<p><b>A</b> M6*15</p>  <p>2PCS</p>	<p><b>B</b> M8*12</p>  <p>16+1PCS</p>	<p><b>C</b> M8*15</p>  <p>38+1PCS</p>	<p><b>D</b> M8*20</p>  <p>8+1PCS</p>	<p><b>E</b> M8*25</p>  <p>13+1PCS</p>	<p><b>F</b> M8*40</p>  <p>14+1PCS</p>
<p><b>G</b> M8*45</p>  <p>8+1PCS</p>	<p><b>H</b> M8*50</p>  <p>2+1PCS</p>	<p><b>I</b></p>  <p>10+1PCS</p>	<p><b>J</b> M8*<math>\phi</math>22</p>  <p>8+1PCS</p>	<p><b>K</b> M6</p>  <p>1PC</p>	<p><b>L</b> M8</p>  <p>1PC</p>
<p><b>M</b></p>  <p>1PC</p>	<p><b>N</b></p>  <p>4PCS</p>	<p><b>O</b></p>  <p>6PCS</p>	<p><b>P</b></p>  <p>4PCS</p>	<p><b>Q</b> M3</p>  <p>1PC</p>	<p><b>R</b></p>  <p>1PC</p>
<p><b>S</b></p>  <p>11PCS</p>	<p><b>T</b></p>  <p>11PCS</p>	<p><b>U</b> M3*35</p>  <p>13PCS</p>	<p><b>V</b> M3*12</p>  <p>2PCS</p>		

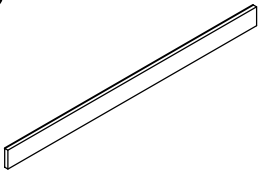
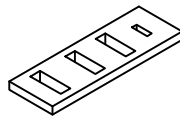


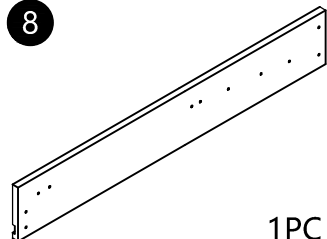
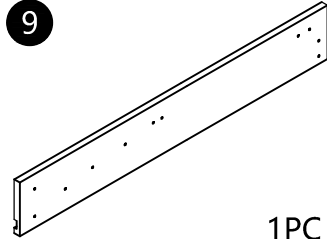
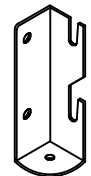
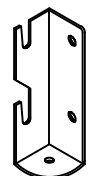
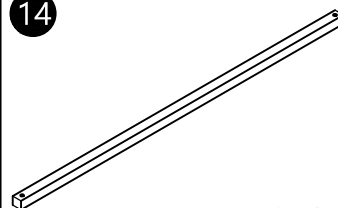
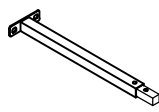
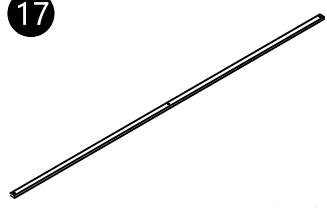
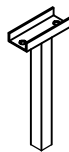
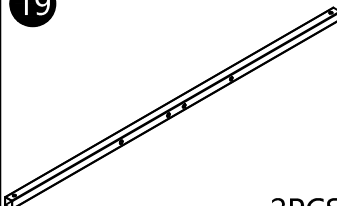
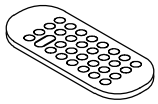
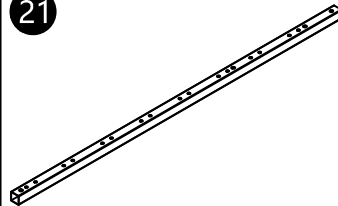
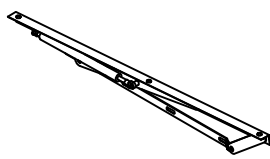
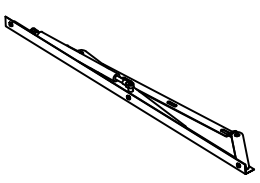
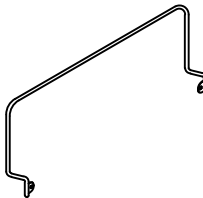


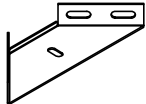
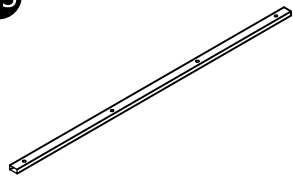
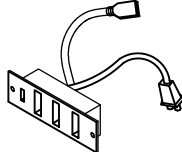
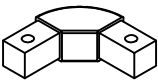
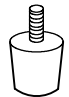
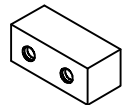
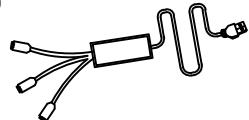
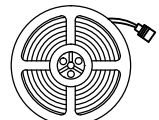
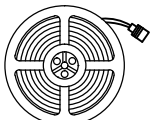
# Assembly Instruction of bed

Hardware parts of box A SKU: N623P230770

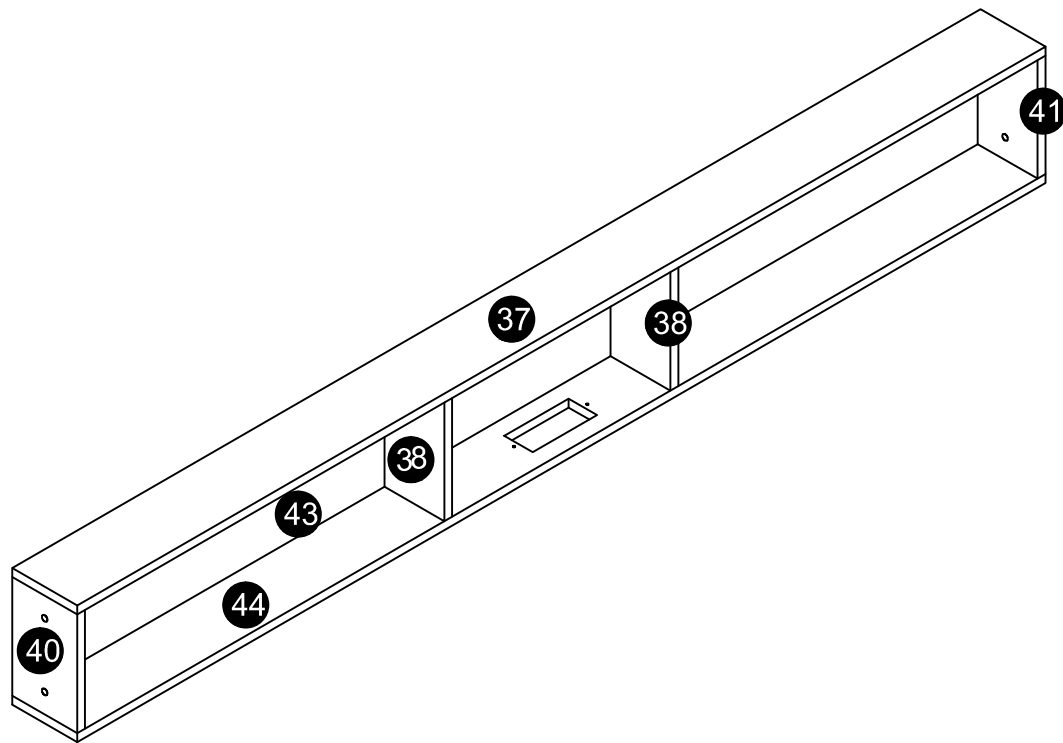
 <p>1</p> <p>1PC</p>	 <p>4</p> <p>1PC</p>	 <p>5</p> <p>1PC</p>	 <p>10</p> <p>12PCS</p>	 <p>11</p> <p>1PC</p>	 <p>16</p> <p>1PC</p>
 <p>22</p> <p>1PC</p>	 <p>23</p> <p>1PC</p>	 <p>30</p> <p>24PCS</p>	 <p>32</p> <p>1PC</p>	 <p>37</p> <p>1PC</p>	 <p>38</p> <p>2PC</p>
 <p>40</p> <p>1PC</p>	 <p>41</p> <p>1PC</p>	 <p>42</p> <p>2PCS</p>	 <p>43</p> <p>1PC</p>	 <p>44</p> <p>1PC</p>	 <p>20</p> <p>2PCS</p>

# Assembly Instruction of bed

Hardware parts of box B SKU: N623P230772

<b>2</b>  1PC	<b>3</b>  1PC	<b>6</b>  1PC	<b>7</b>  1PC	<b>8</b>  1PC	<b>9</b>  1PC
<b>12</b>  1PC	<b>13</b>  1PC	<b>14</b>  1PC	<b>15</b>  1PC	<b>17</b>  1PC	<b>18</b>  2PCS
<b>19</b>  2PCS	<b>49</b>  <b>Remote control</b> 1PC	<b>21</b>  2PCS	<b>24</b>  1PC	<b>25</b>  1PC	<b>27</b>  1PC
<b>28</b>  1PC	<b>29</b>  2PCS	<b>31</b>  2PCS	<b>33</b>  2PC	<b>34</b>  1PC	<b>35</b>  4PCS
<b>36</b>  2PCS	<b>45</b>  1PC	<b>46</b>  <b>Power cord</b> 1PC	<b>47</b>  <b>Short light strip</b> 1PC	<b>48</b>  <b>Long light strip</b> 2PC	

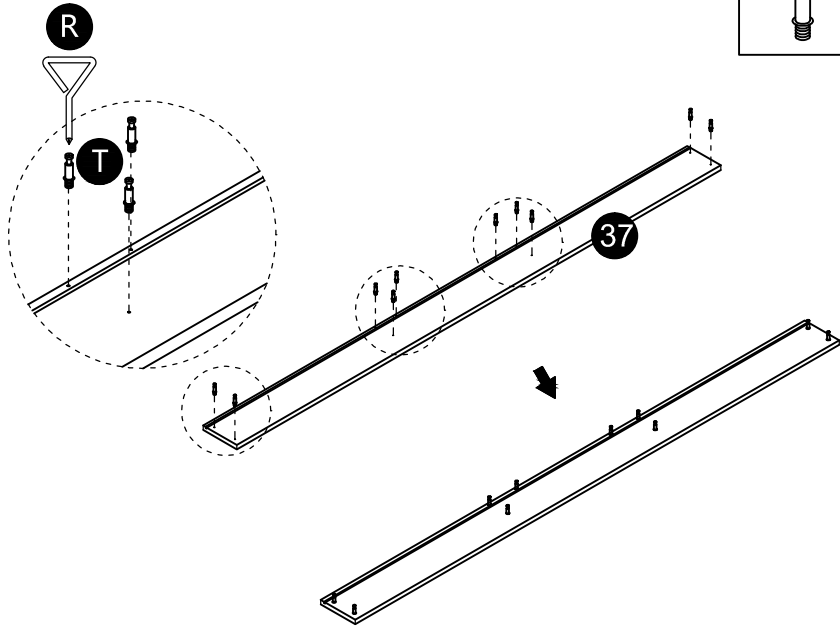
# Assembly Instruction of Bedside cabinet





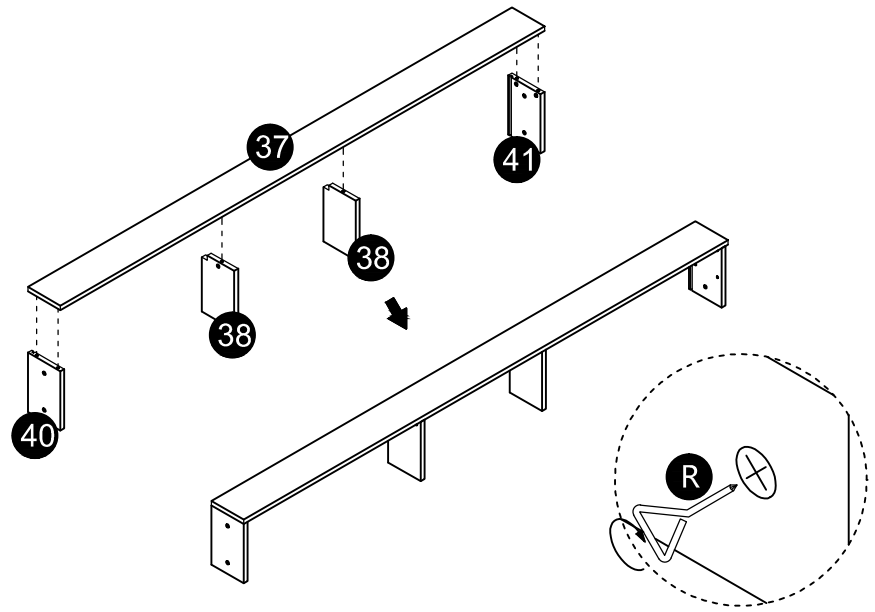
# Assembly Instruction of Bedside cabinet

Step:1

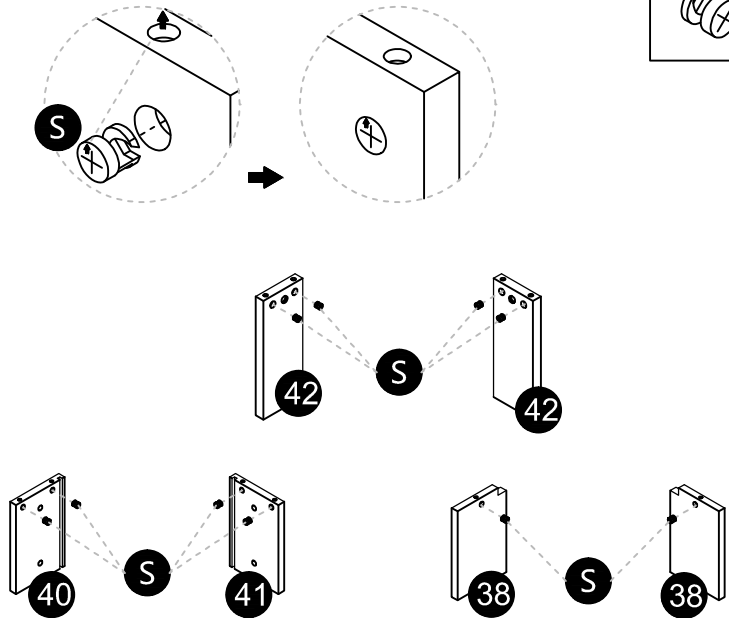


T X10PCS

Step:3

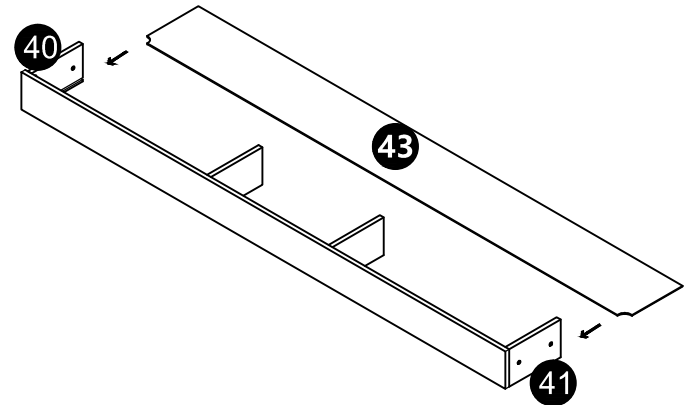


Step:2



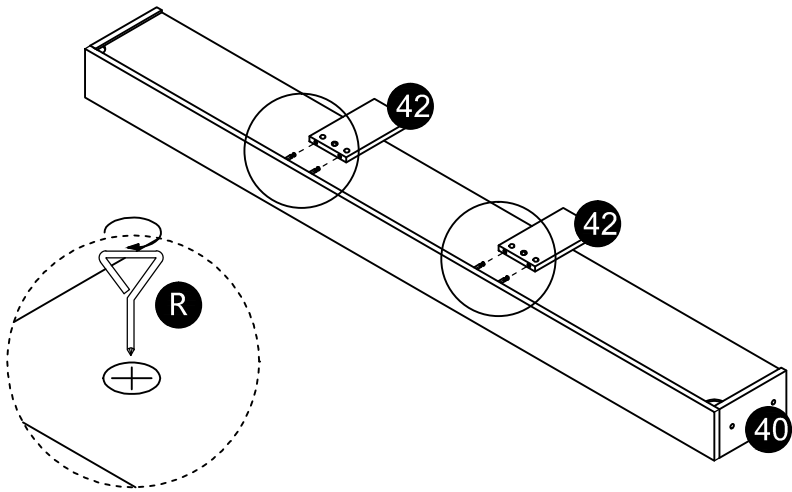
S X10PCS

Step:4



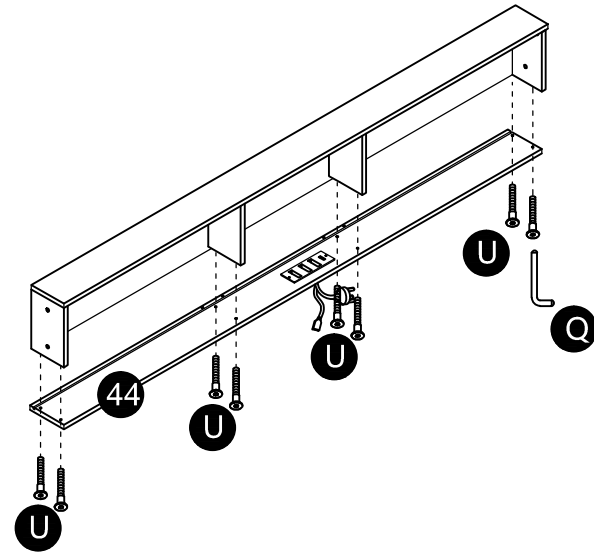
# Assembly Instruction of Bedside cabinet

Step:5



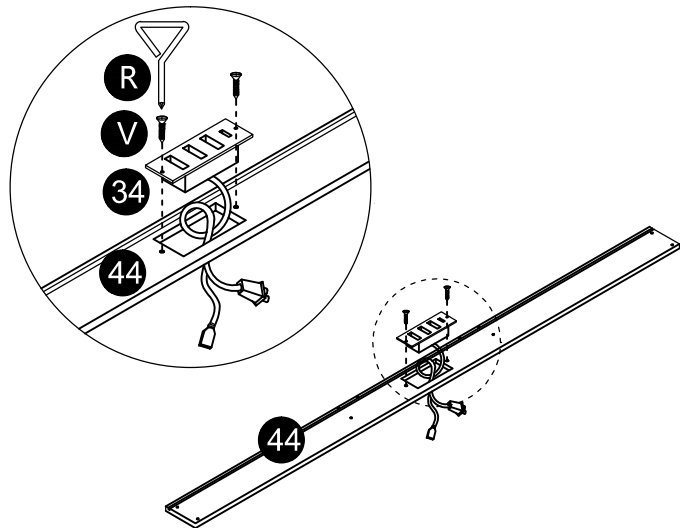
Step:7

M3\*35 **U** X8PCS



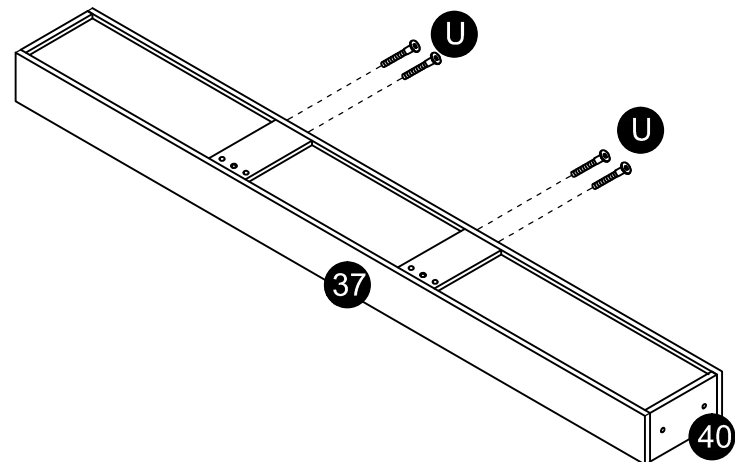
Step:6

M3\*12 **V** X2PCS

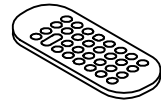


Step:8

M3\*35 **U** X4PCS

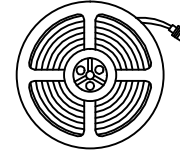


# Assembly Instruction of Bedside cabinet



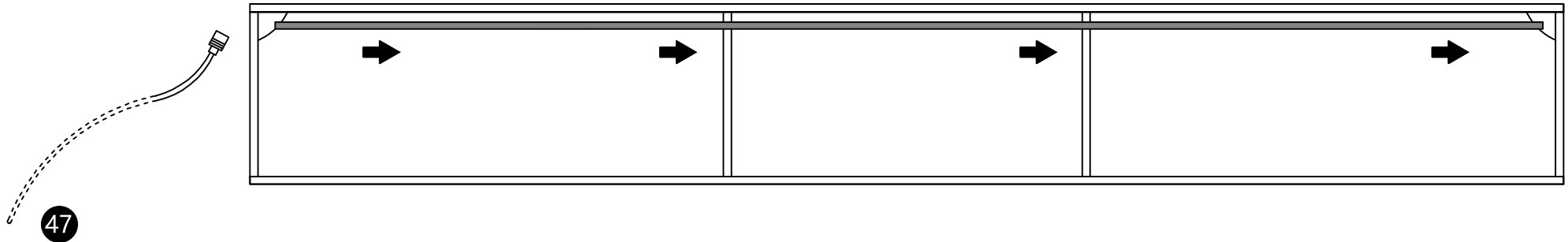
Remote control

49 1PC



Short light strip


47 1PC

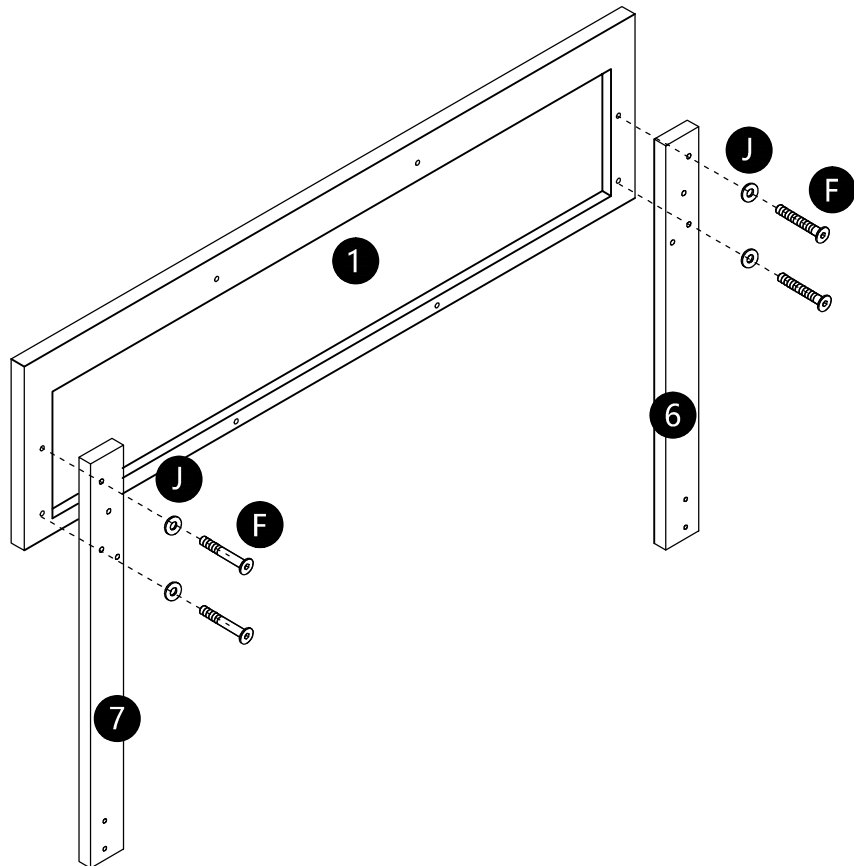


# Assembly Instruction of bed

Step:9

 **F** X 4PCS  
M8\*40

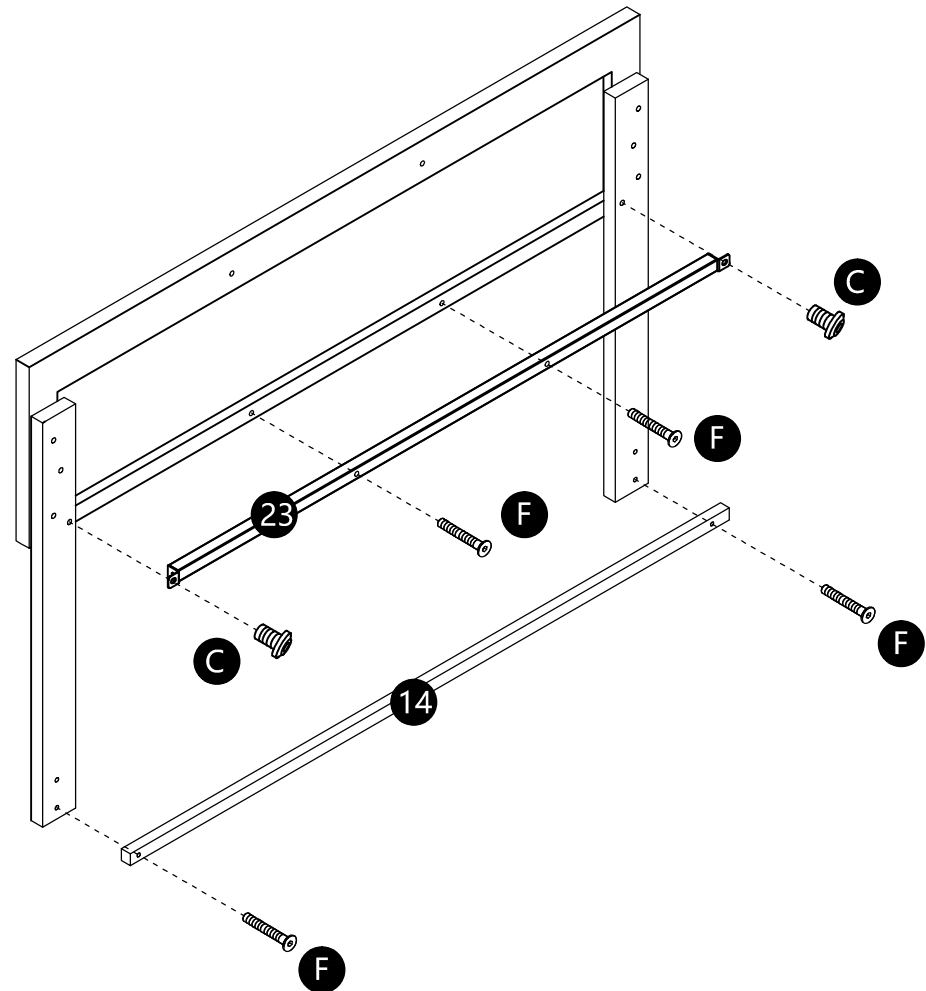
 **J** X 4PCS  
M8\*φ22



Step:10

 **C** X 2PCS  
M8\*15

 **F** X 4PCS  
M8\*40

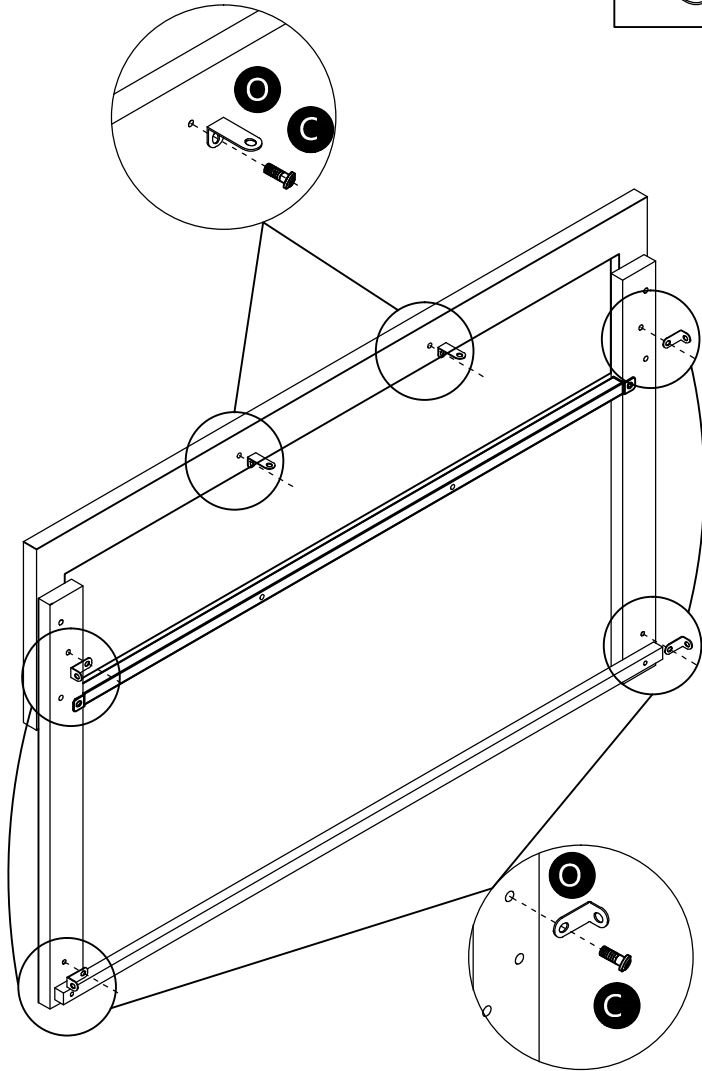


# Assembly Instruction of bed

Step:11

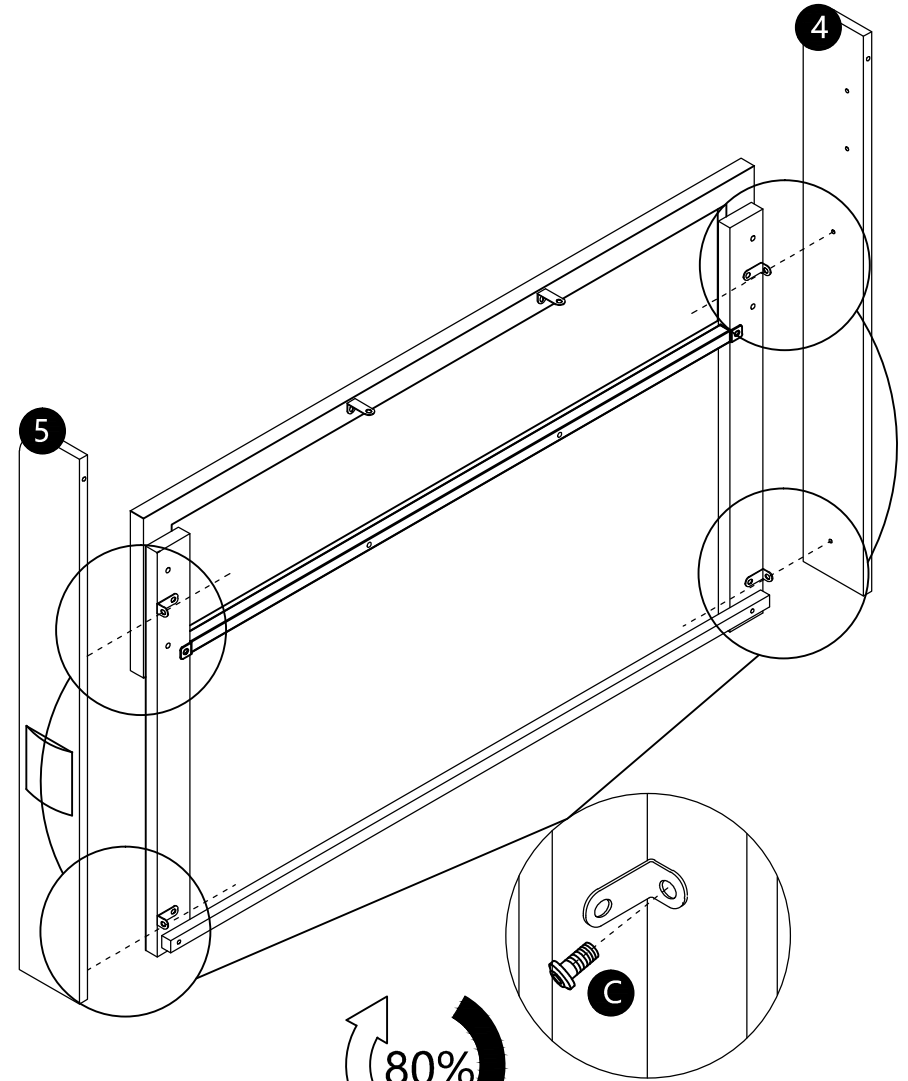
 M8\*15  X 6PCS

  X 6PCS



Step:12

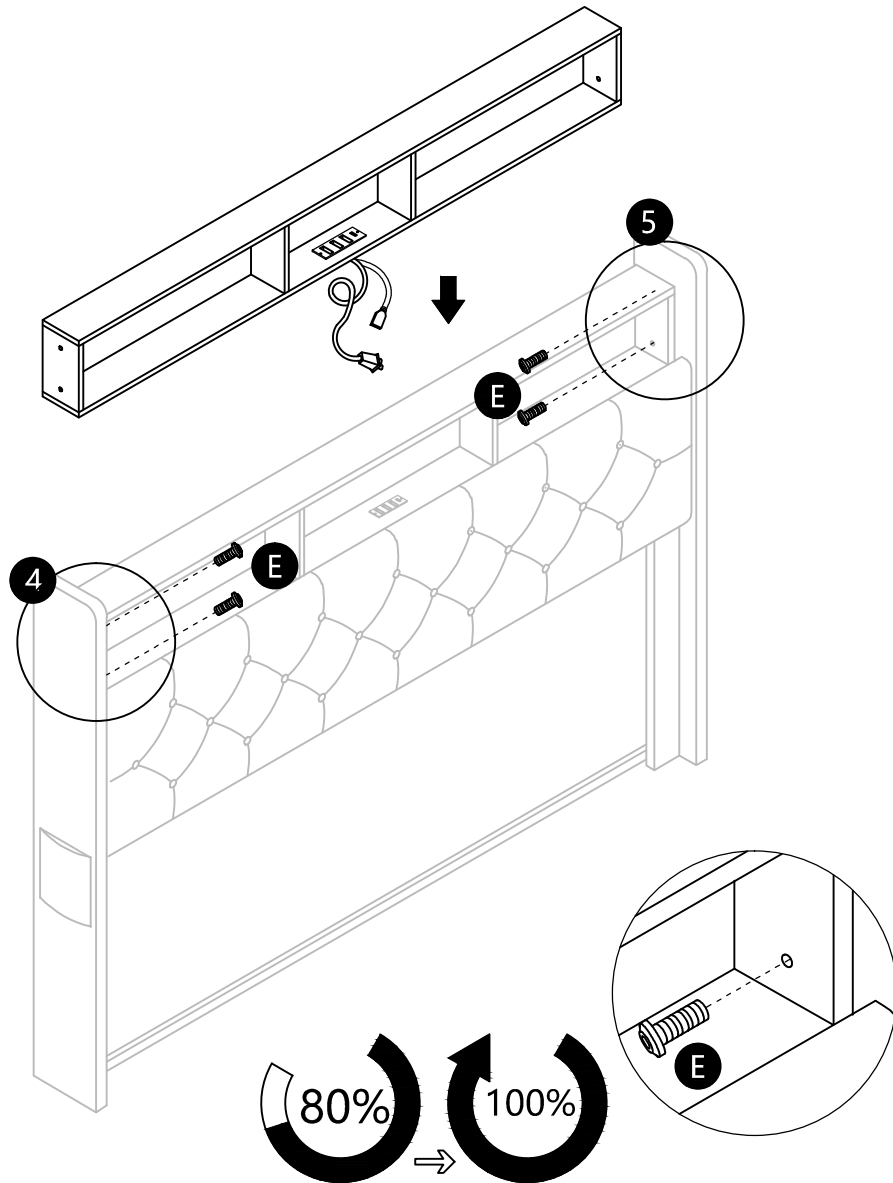
 M8\*15  X 4PCS



# Assembly Instruction of bed

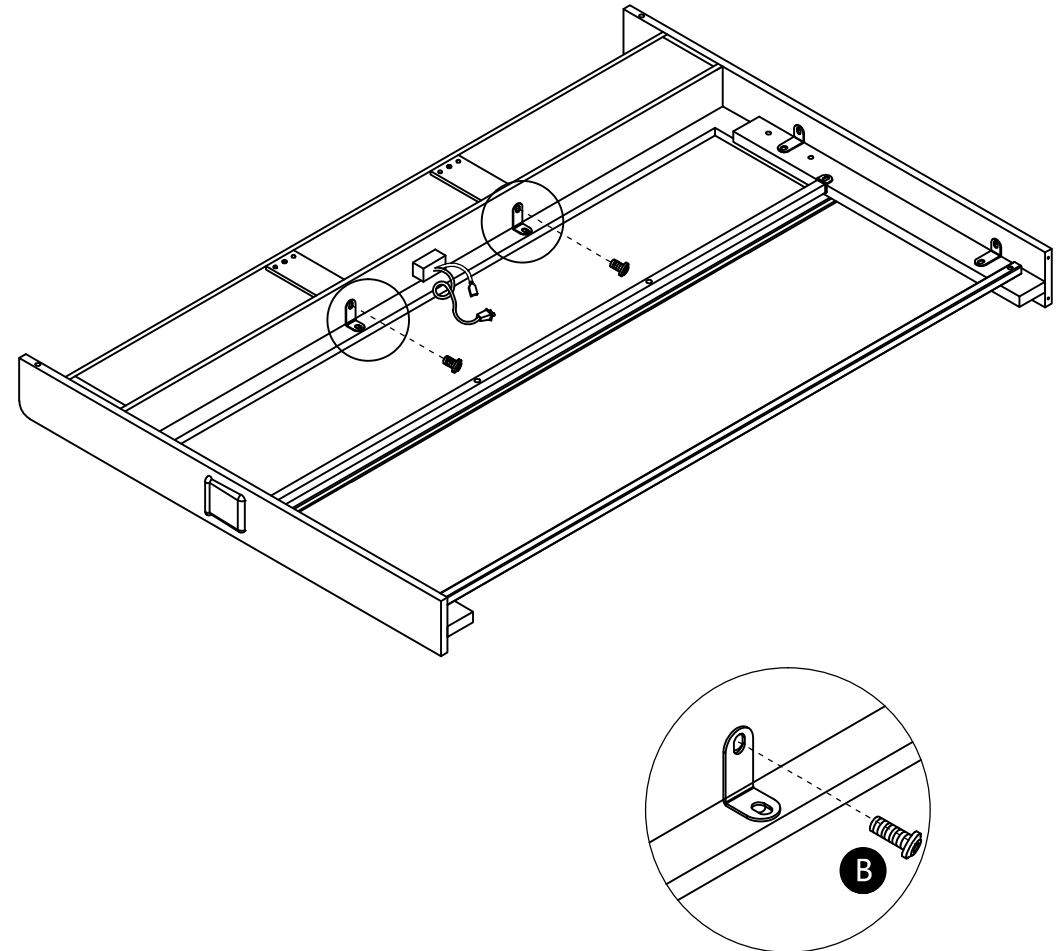
Step:13

 M8\*25 **E** X 4PCS



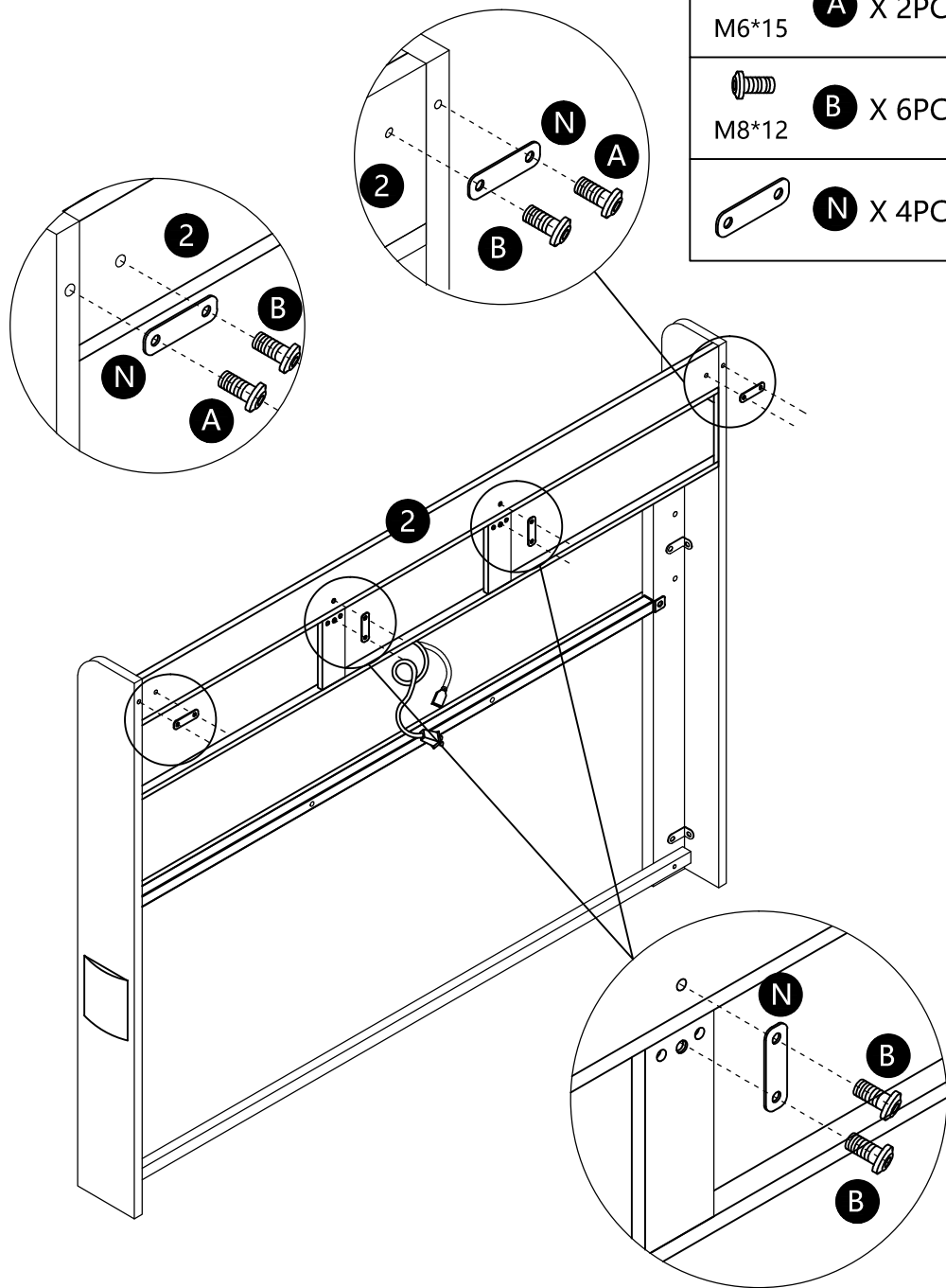
Step:14

 M8\*12 **B** X 2PCS

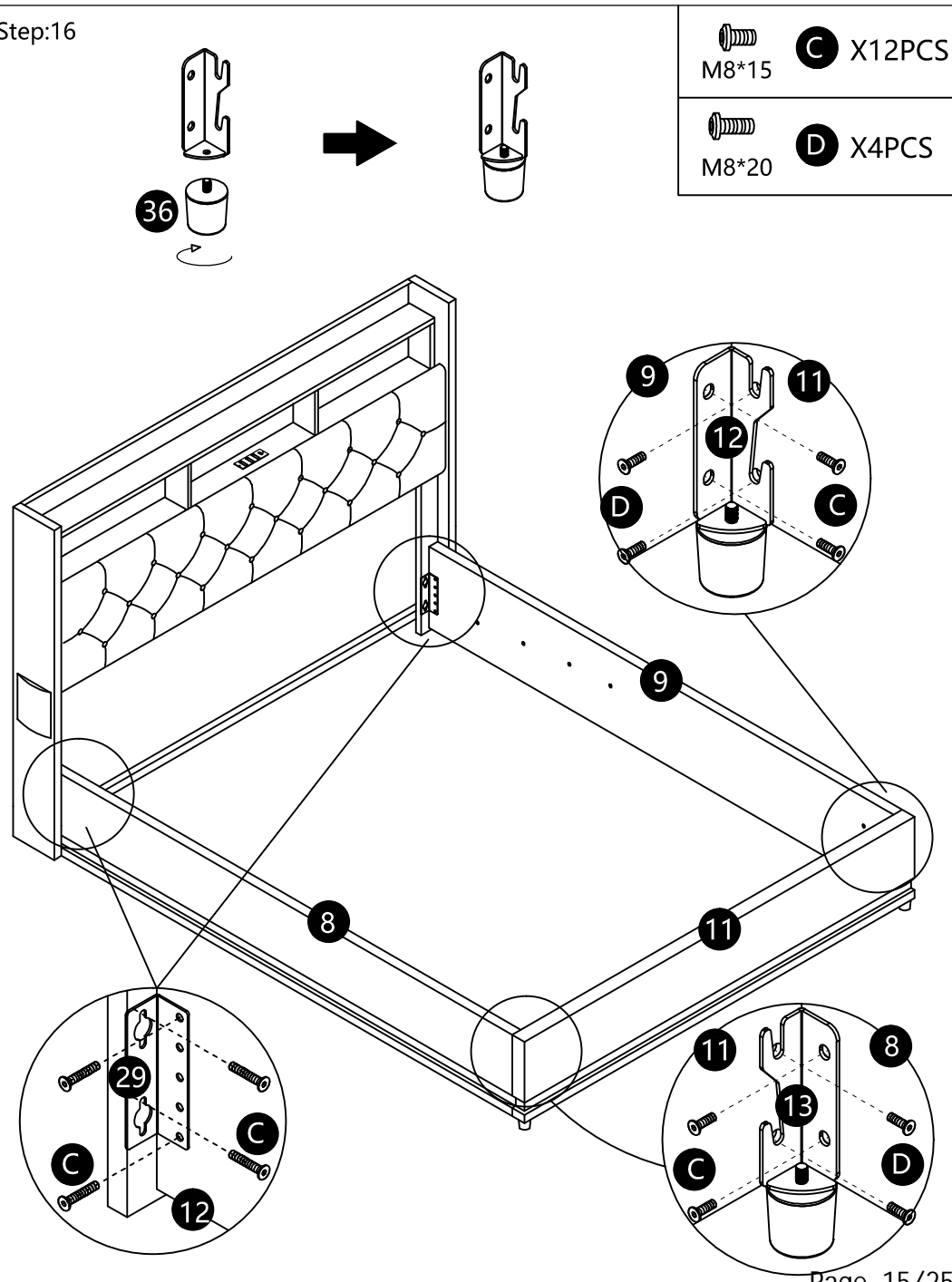


# Assembly Instruction of bed

Step:15



Step:16

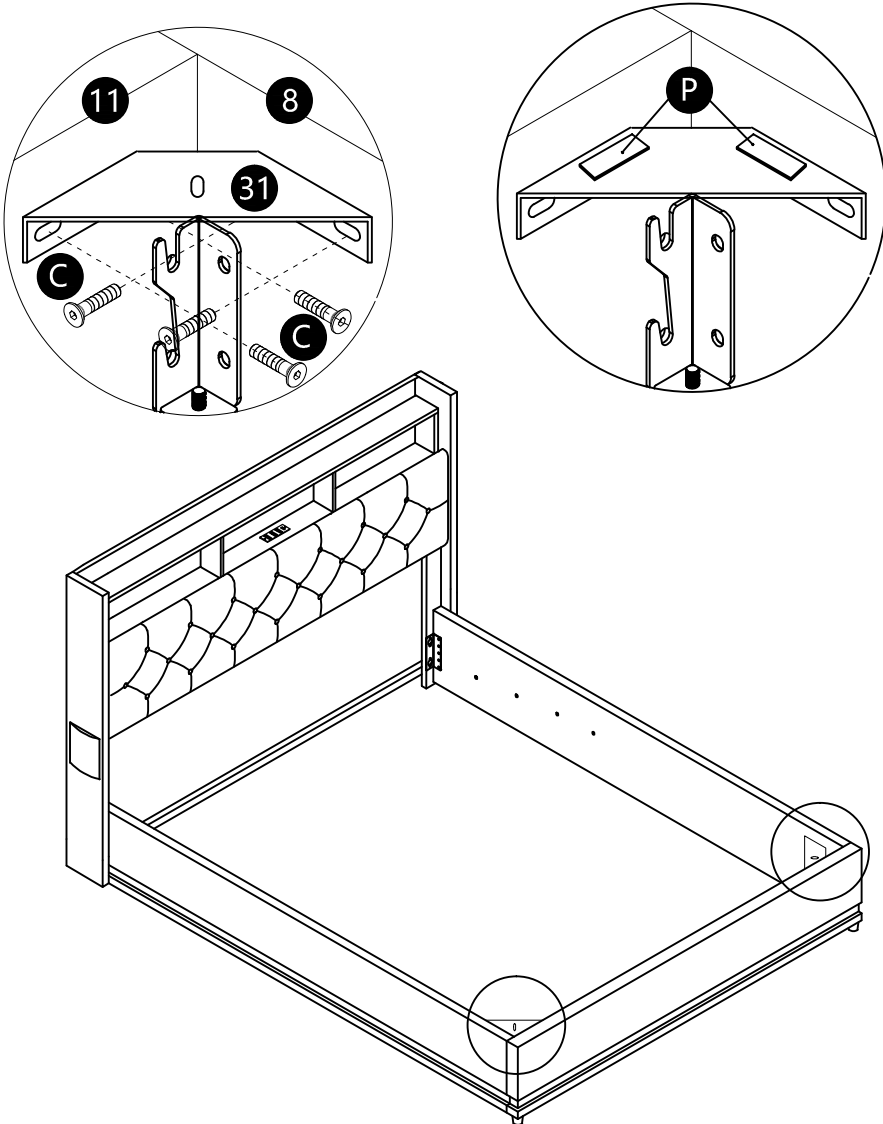


# Assembly Instruction of bed

Step:17

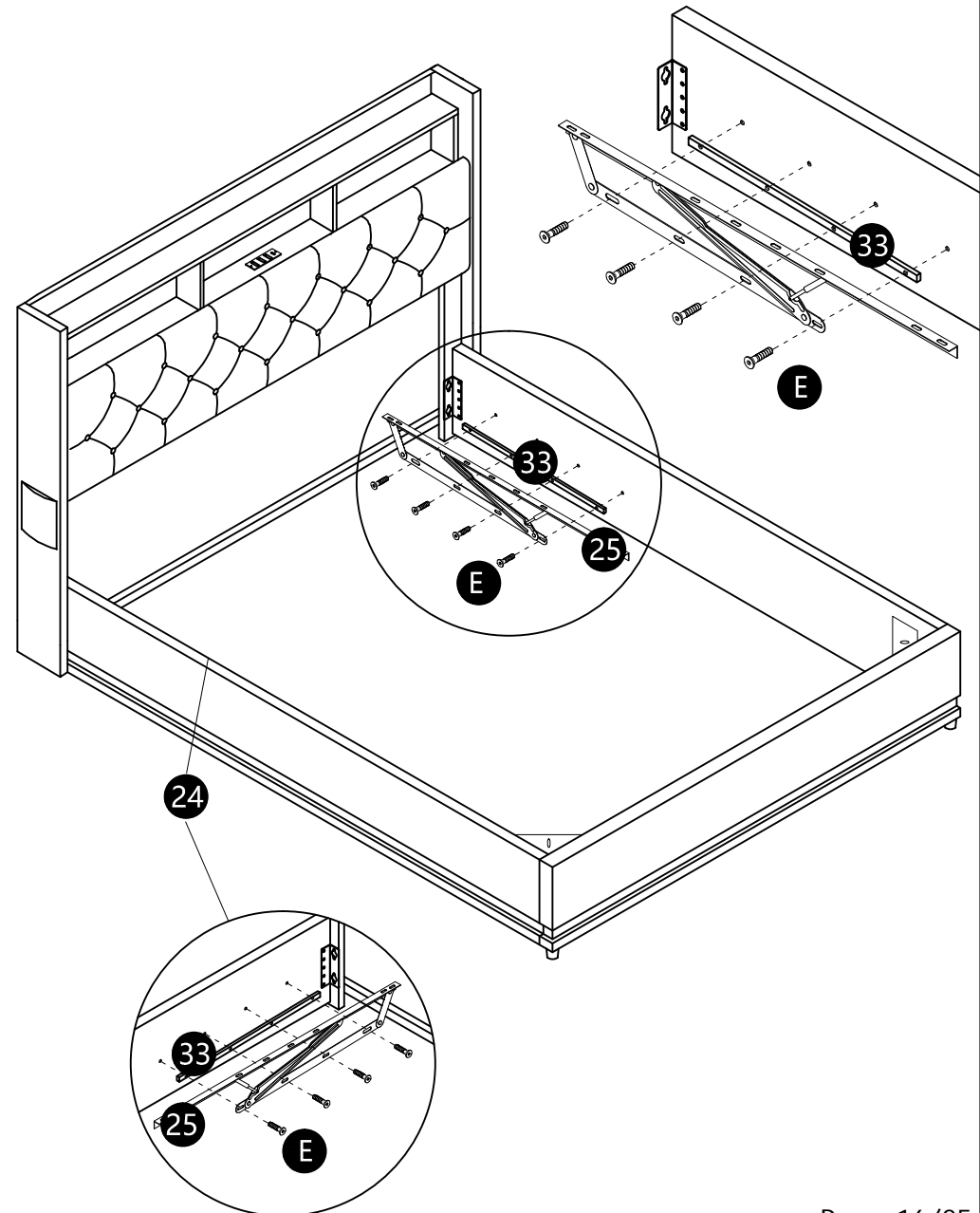
 M8\*15 **C** X8PCS

 **P** X4PCS



Step:18

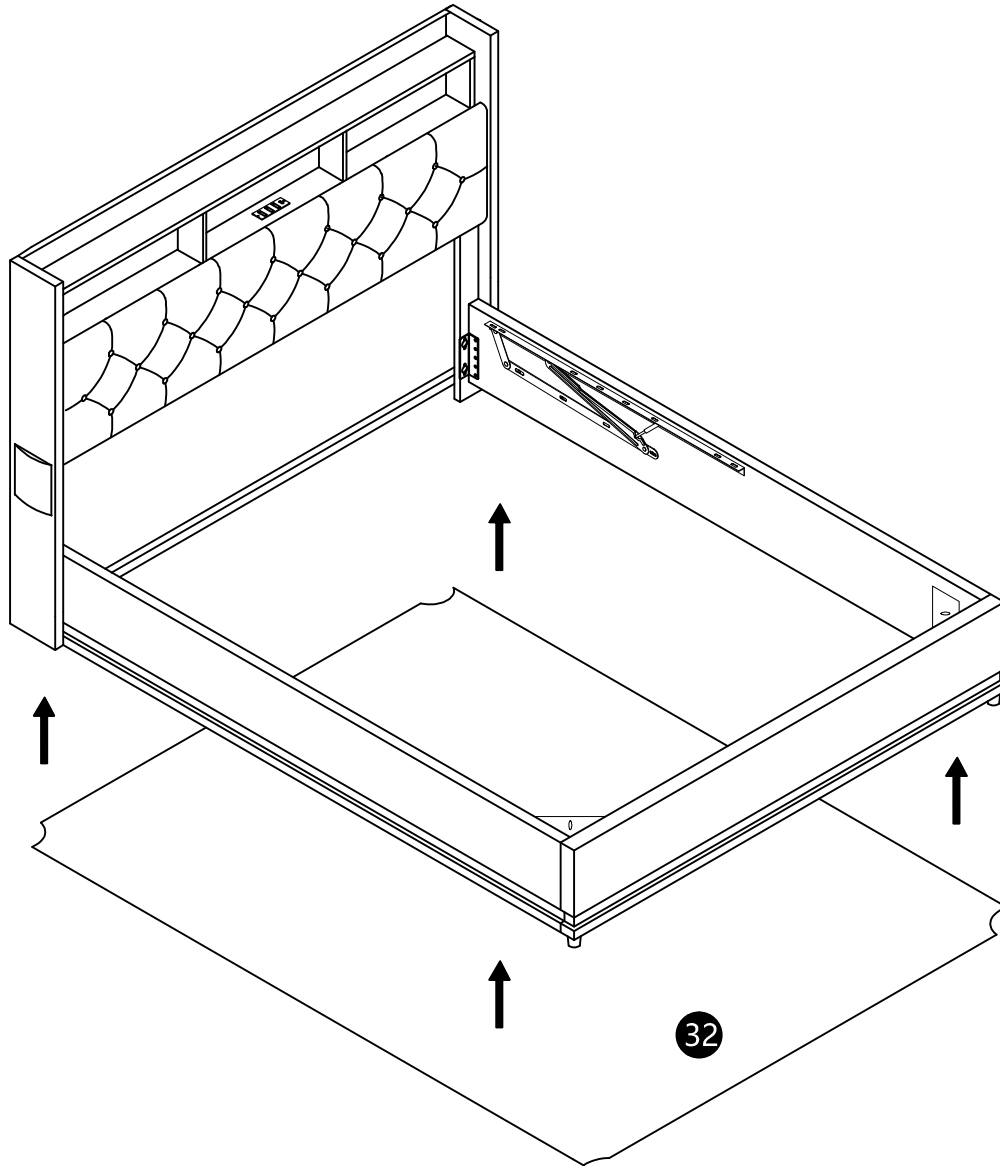
 M8\*25 **E** X8PCS






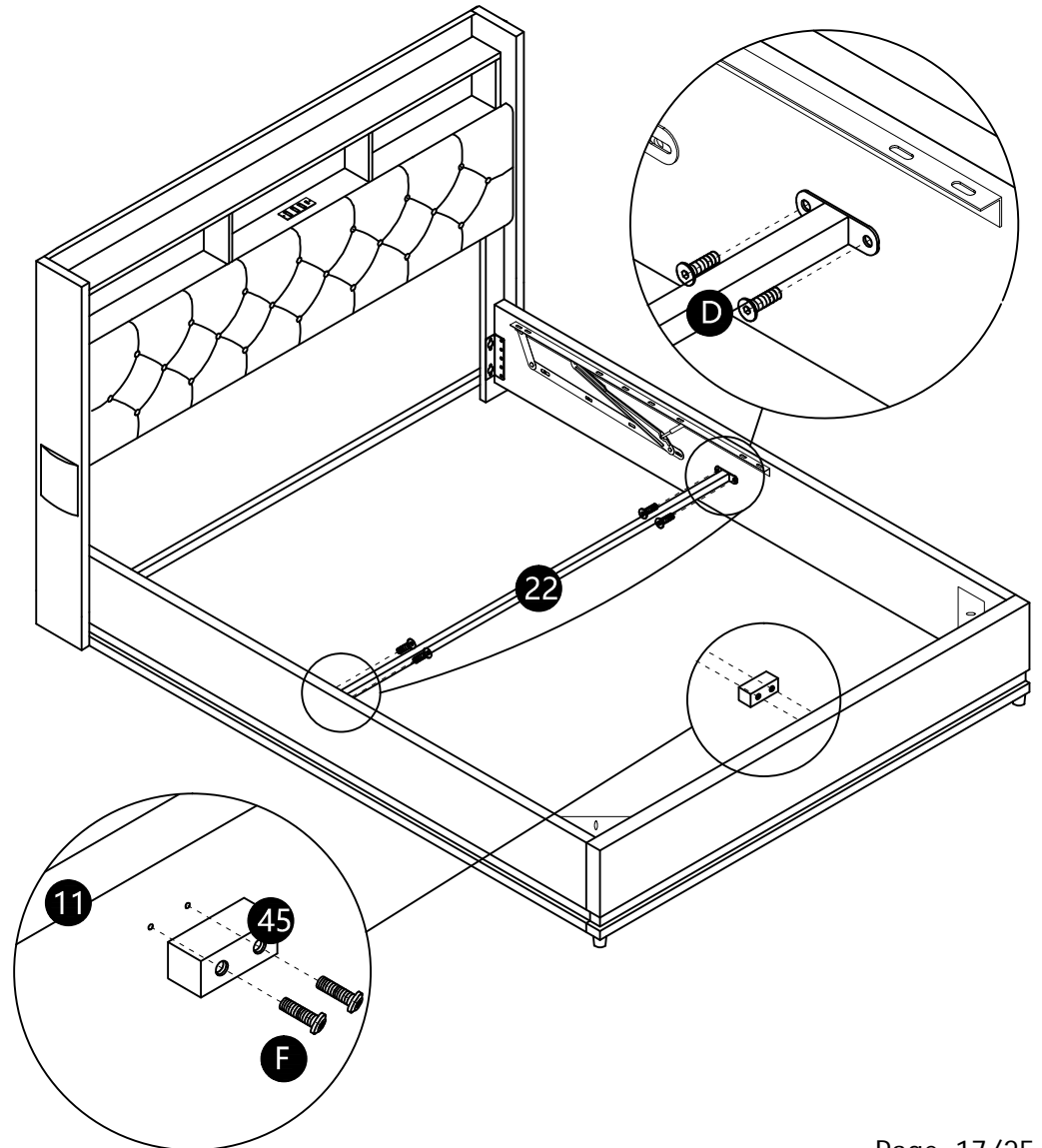
# Assembly Instruction of bed

Step:19



Step:20

-  **D** X4PCS  
M8\*20
-  **F** X2PCS  
M8\*40

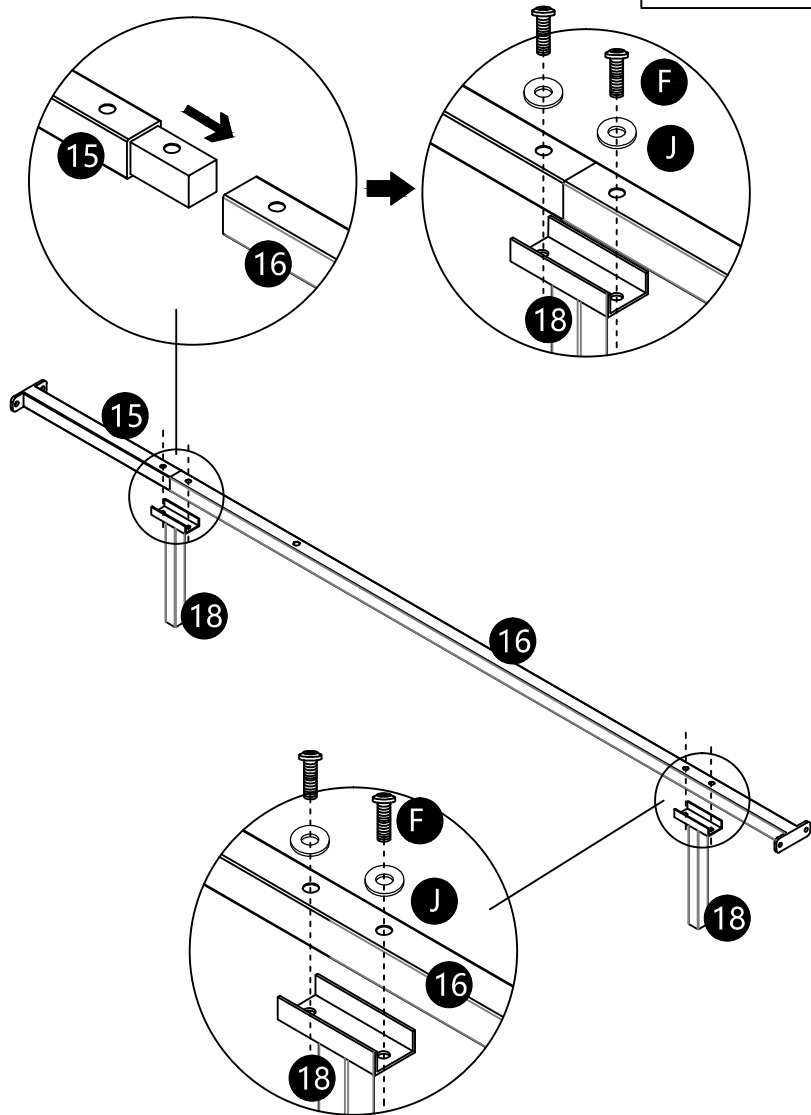


# Assembly Instruction of bed

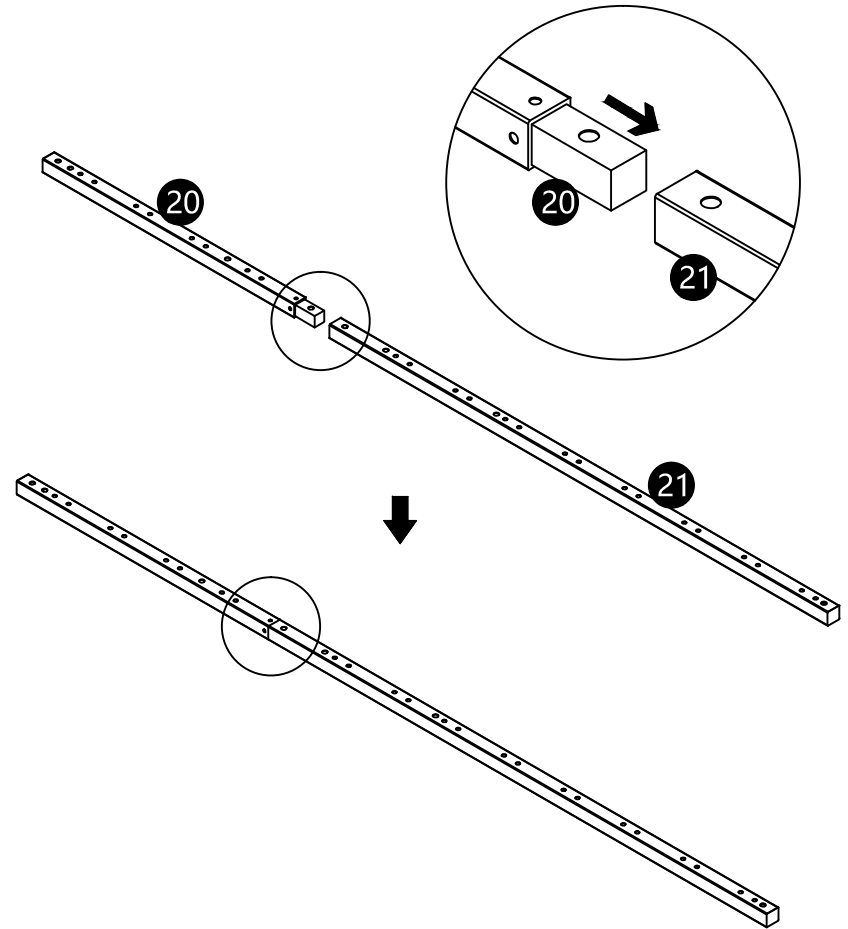
Step:21

 M8\*40 **F** X4PCS

 M8\*φ22 **J** X4PCS



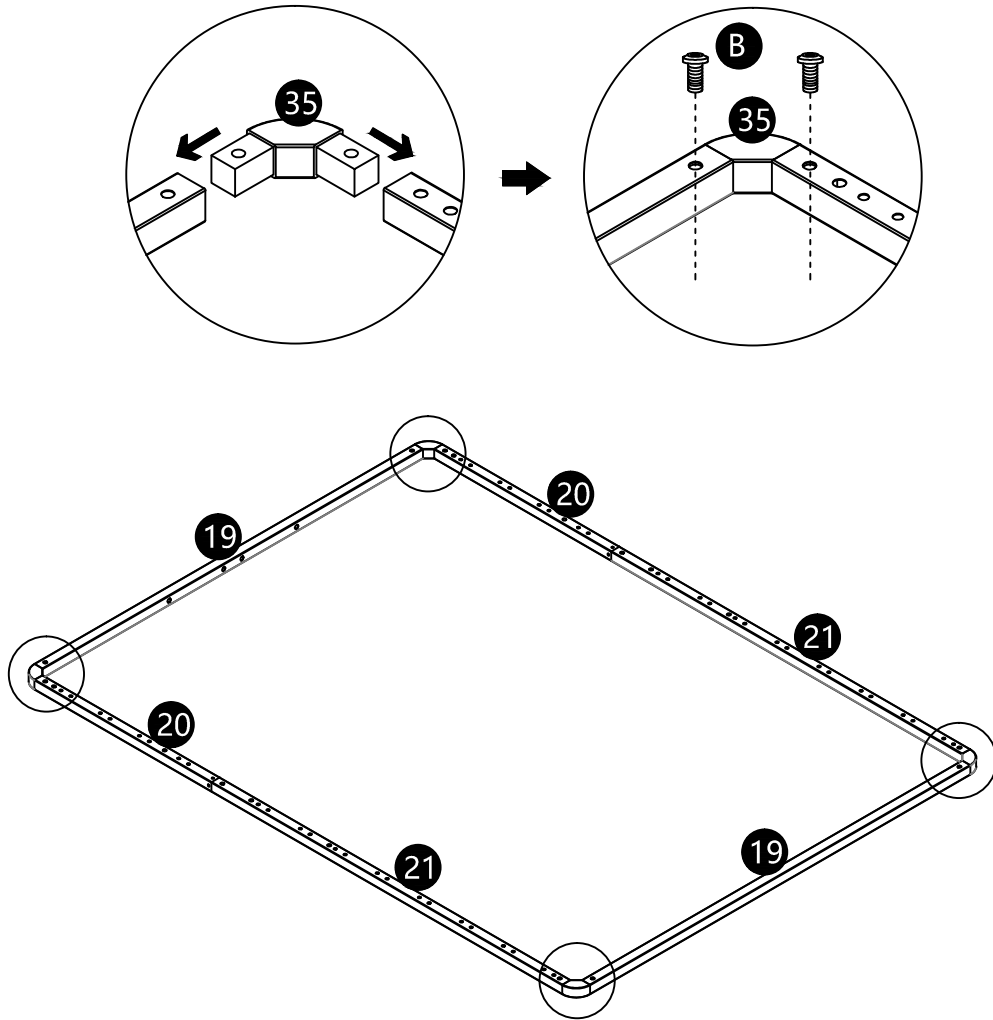
Step:22



# Assembly Instruction of bed

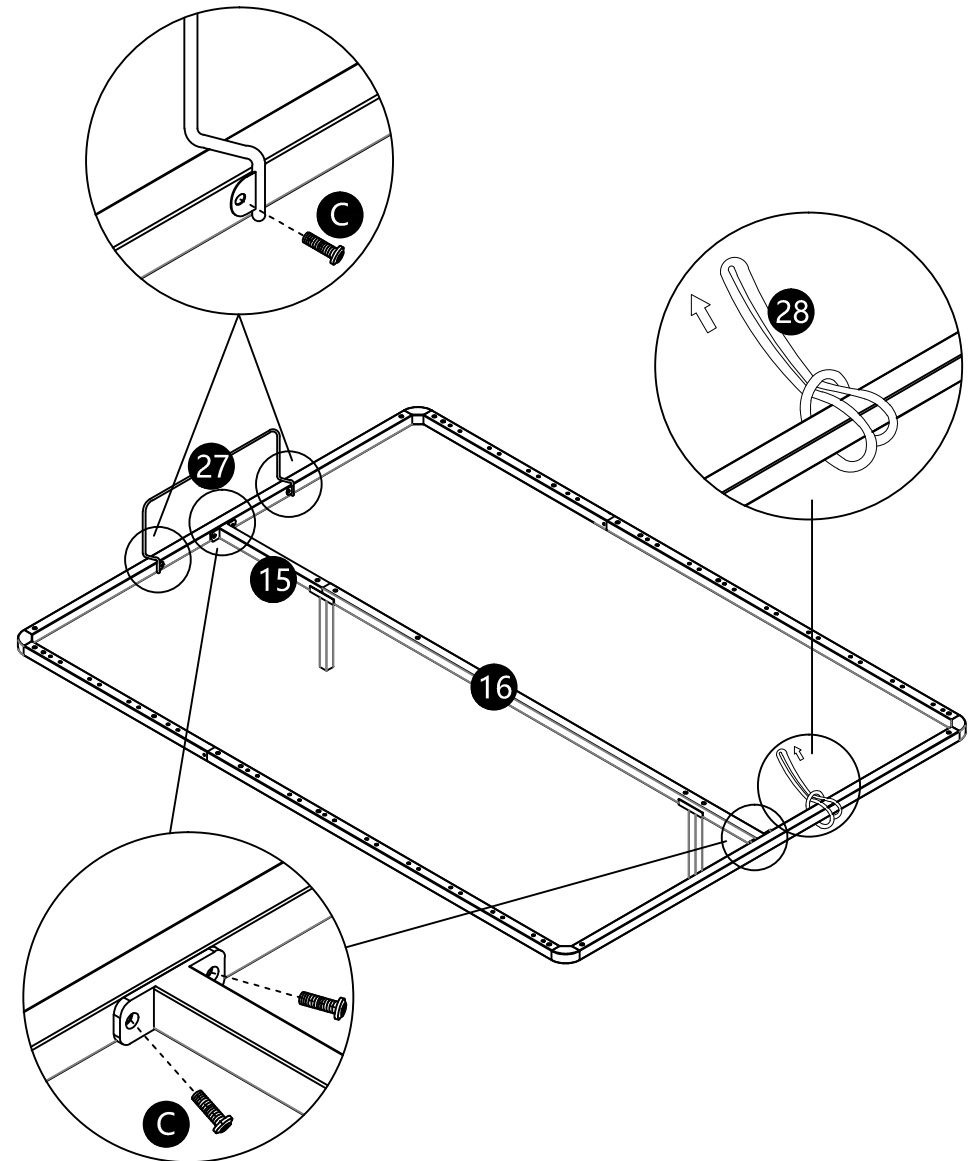
Step:23

 M8\*12 **B** X8PCS



Step:24

 M8\*15 **C** X6PCS



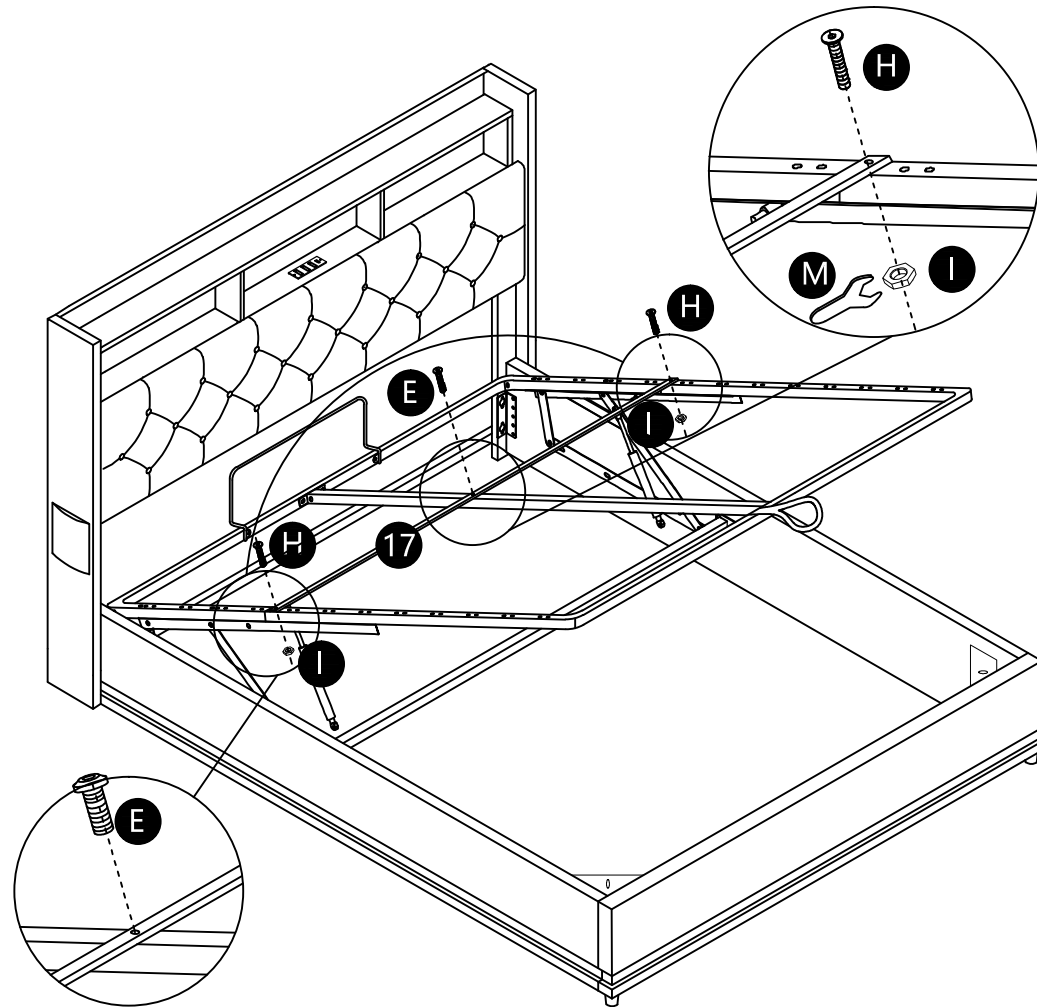
# Assembly Instruction of bed

Step:25

 **H** X 2PCS  
M8\*50

 **I** X 2PCS  
M8

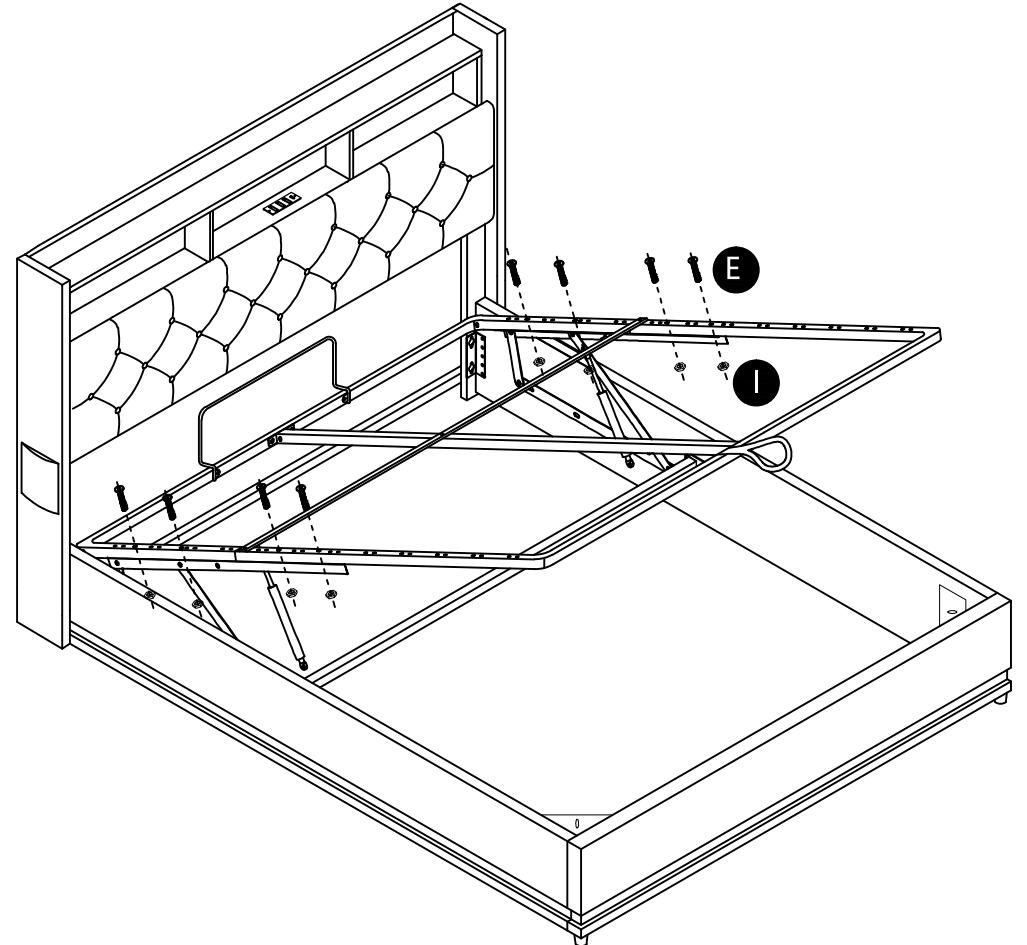
 **E** X 1PCS  
M8\*25



Step: 26

 **G** X 8PCS  
M8\*45

 **I** X 8PCS  
M8



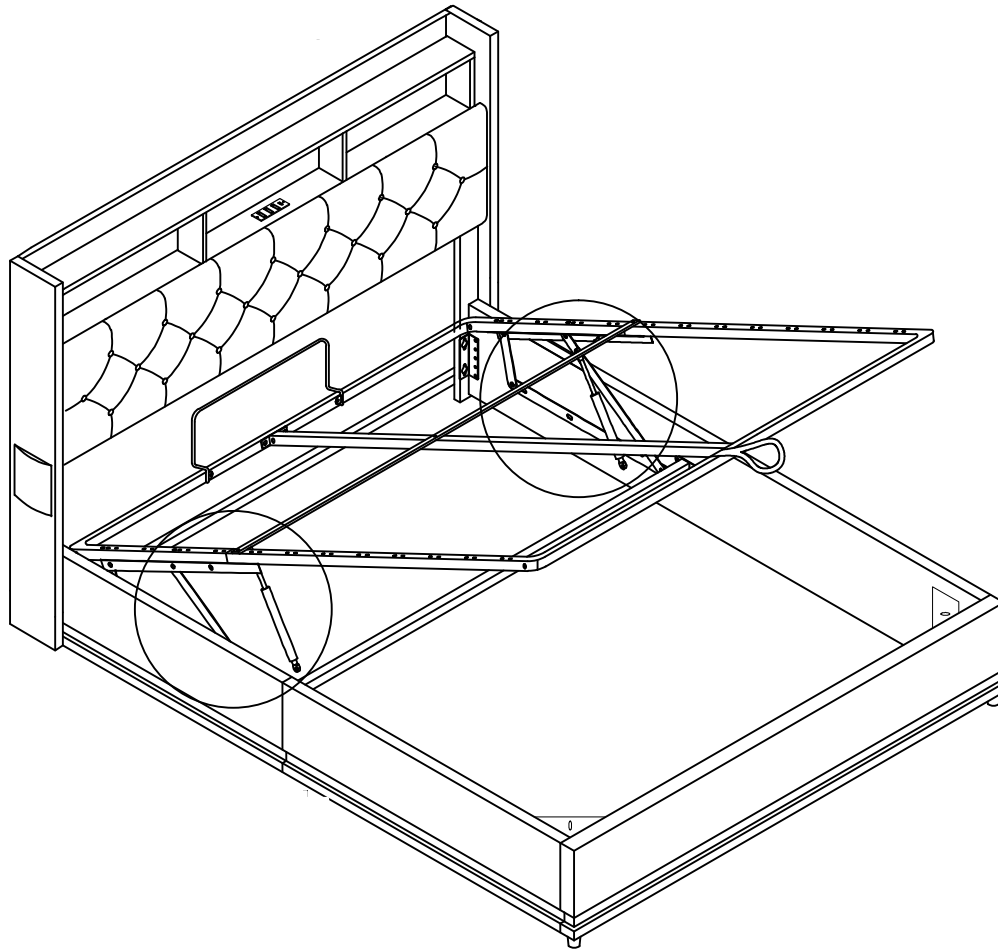
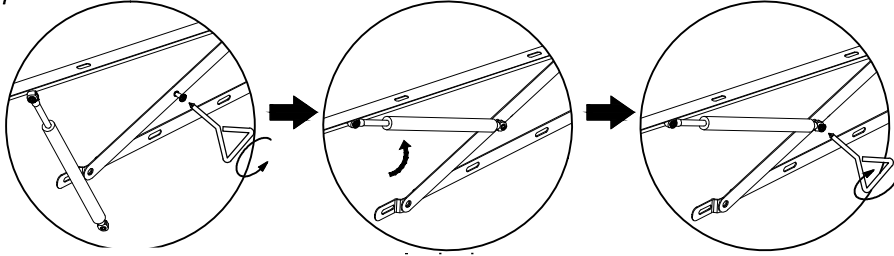
# Assembly Instruction of bed

Step:27

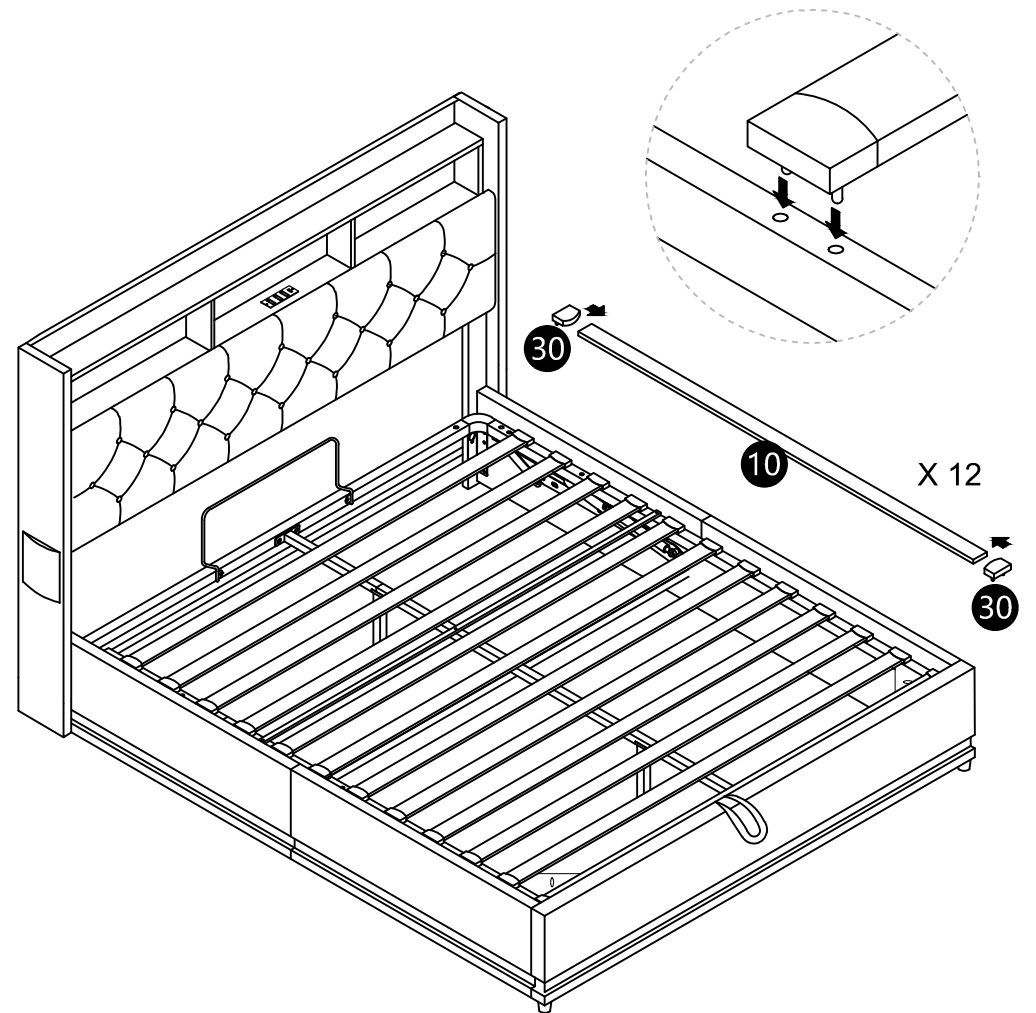
NO.1

NO.2

NO.3

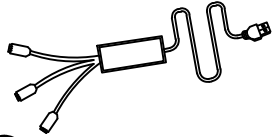


Step:28

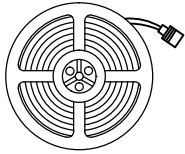


# Assembly Instruction of light bar

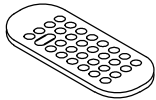
## LED related accessories



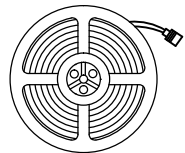
46 Power cord X1



48 Long light strip X2



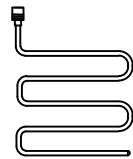
49 Remote control X1



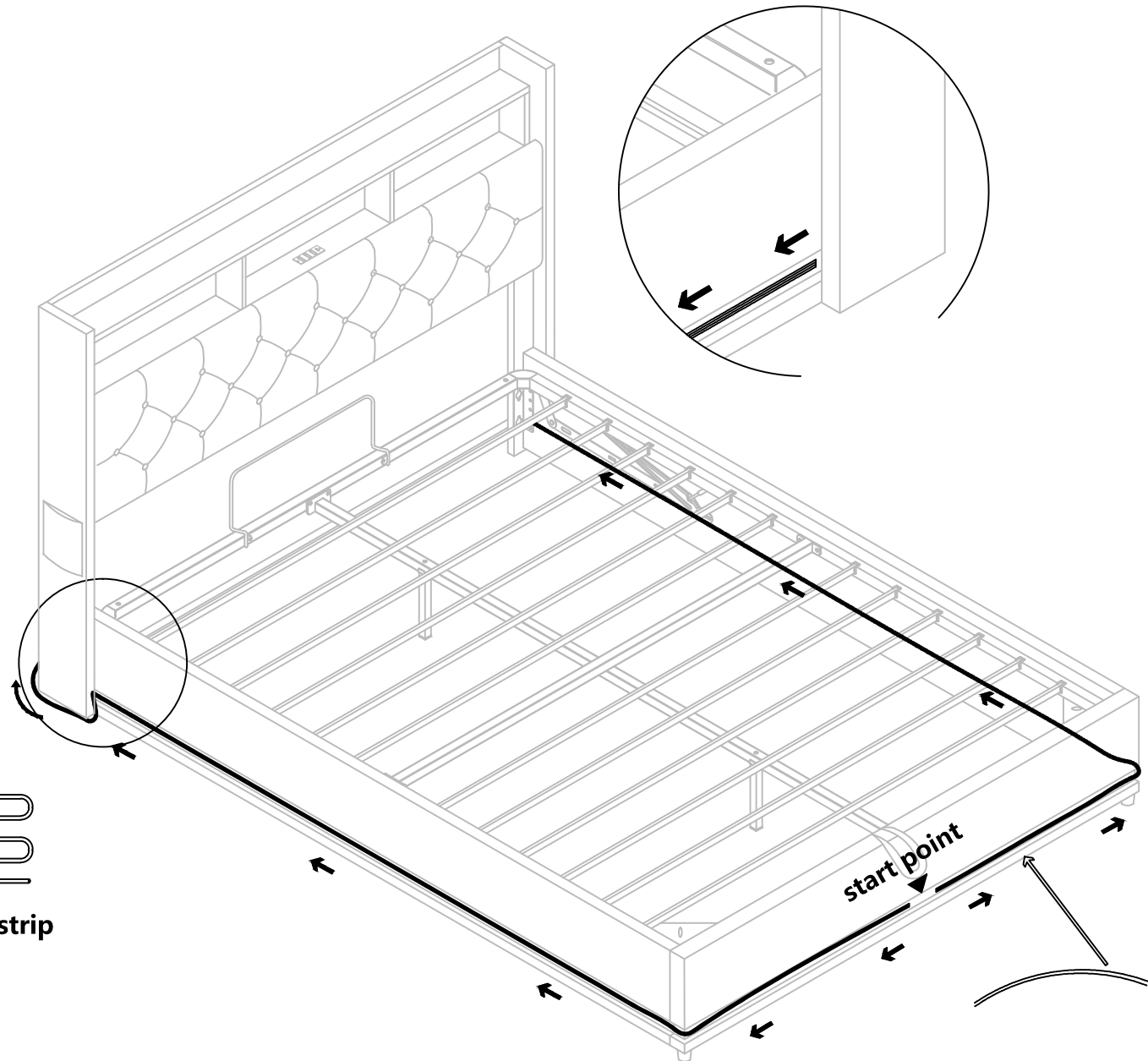
light strip




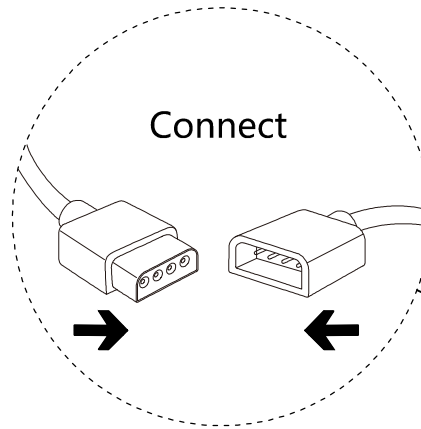
Pull out  
and unfold



light strip

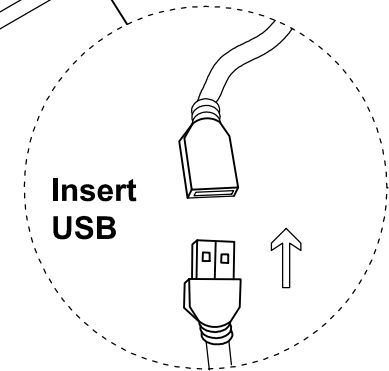
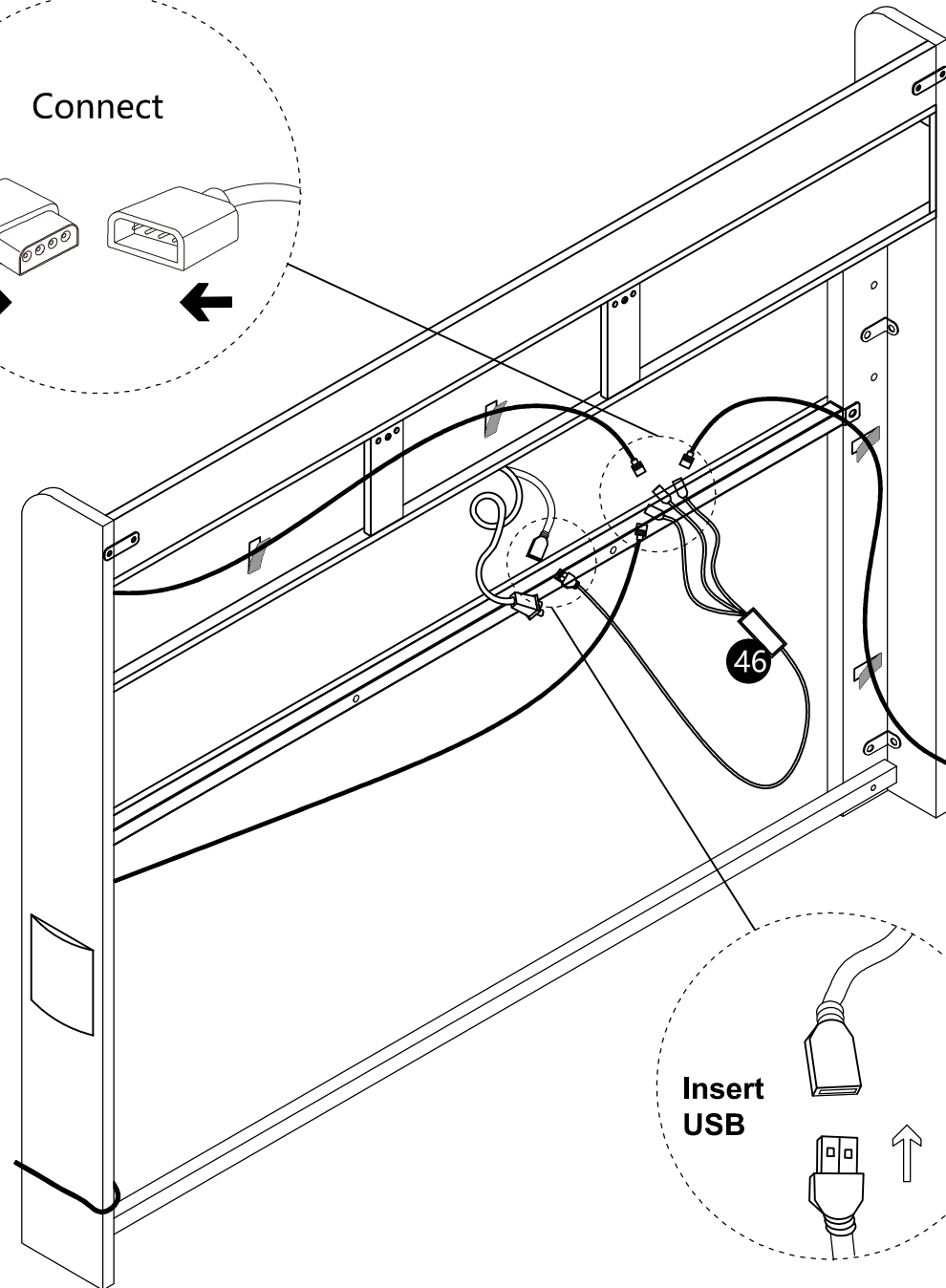


# Assembly Instruction of light bar



You can use the remote control to control the color

**1PC**  
**49 Remote control**



# Verification of Compliance

**Verification No.:** MK23020083-P01E01  
**Name and address of Applicant:** **Shenzhen Hongzhengyu Technology Co., LTD**  
 Shenzhen baoan district rock street industrial science and technology industrial park of 2 Haitian lanyu 3 5 floor of A  
**Name and address of Manufacturer:** **Shenzhen Hongzhengyu Technology Co., LTD**  
 Shenzhen baoan district rock street industrial science and technology industrial park of 2 Haitian lanyu 3 5 floor of A  
**Product name:** **Lamp strip**  
**Rated:** 5V --- 1A  
 HZY-2835-120D-12V, HZY-2835-30D-5V, HZY-2835-60D-5V, HZY-2835-120D-5V, HZY-2835-60D-12V, HZY-2835-60D-24V, HZY-2835-120D-24V, HZY-2835RGB-60D-5V, HZY-2835RGB-60D-12V, HZY-5050-30D-5V, HZY-5050-60D-5V, HZY-5050-30D-12V, HZY-5050-60D-12V, HZY-5050-60D-24V, HZY-5050RGB-30D-5V, HZY-5050RGB-60D-5V, HZY-5050RGB-30D-12V, HZY-5050RGB-60D-12V, HZY-5050RGB-60D-24V  
**Product model(s):**  
**Product trademark:** N/A

This verification confirms that the product meets the requirements of the following standard. The conformity was demonstrated based on following standard(s) listed by European Commission as harmonized with EMC Directive 2014/30/EU.

EN IEC 55015:2019+A11:2020  
IEC 61547:2020

*The verification has been carried out in accordance with individual rules and conditions agreed with the applicant. Evaluation has been carried out in accordance with:*

**Test report(s) No.:** MK23020083-P01E01  
**Test conducted by:** TMC Testing Services (Shenzhen) Co., Ltd.  
**Verification issue date:** February 25, 2023

**Notes:**

*This verification refers to the above mentioned product and its conformity in regards of above mentioned standard(s) was proven on test sample.*

*This verification does not imply meeting all essential requirements, assessment of the series-production or any other restricted Notified Bodies conformity assessment procedure appropriate for the product.*

*This verification holder shall use this verification in connection to verification of conformity and technical data relevant for the product the verification was issued.*

**TMC Testing Services (Shenzhen) Co., Ltd.**

t:86-755-86642861 cert@tmc-lab.com www.tmc-lab.com

1st Floor, Block A1, Zone A, Xinshidai Gongrong Industrial Park, No. 2, Shihuan Road, Shiyuan Street, Baoan District, Shenzhen, China







KeySense Testing & Certification International Co., Ltd.  
 1-3F, Lab Building, No.29 District, Zhongkai Hi-Tech  
 Industrial Development Park, Huizhou, Guangdong,  
 China

Tel:0752-3219929  
 Fax:0752-3219929  
<http://www.kst-cert.com>

# Technical Compliance Statement

Certificate No.: KST240304L008Q01


Report No.: KST240304L008Q01

The following product has been tested by us with the listed standards and found in Compliance with the council LVD directive 2014/35/EU. It is demonstrative for the Compliance with this LVD Directive.

**Holder:** DONGGUAN BAIYOU ELECTRONIC CO LTD  
**Address:** 2F A Building, Wufeng Industrial, Jintan Road, Danwu Shijie Town, Dongguan, Guangdong  
**Product:** USB CHARGER  
**Model Name:** BY213-TD04-C  
**Trade Name:** N/A

Test Standard	
EN 62368-1:2014+A11:2017	Audio/video, information and communication technology equipment Part 1: safety requirements



Signature: 

Name:

Tony Xu

Position:

General Manager

Date:

Apr. 26, 2024



The statement is based on single evaluation of one sample of above mentioned product. It does not imply an assessment of the whole production and does not permit the use of the test lab. Logo.