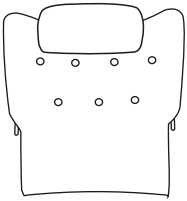
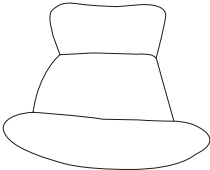
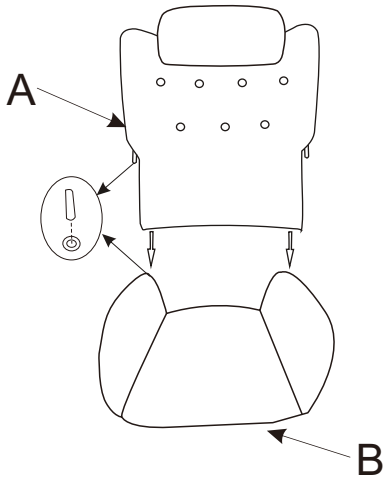
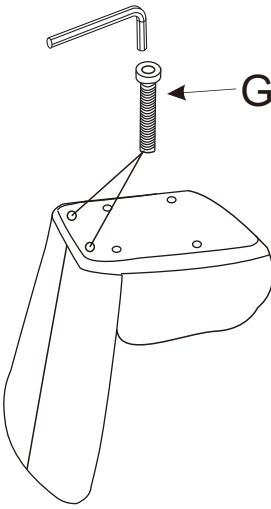
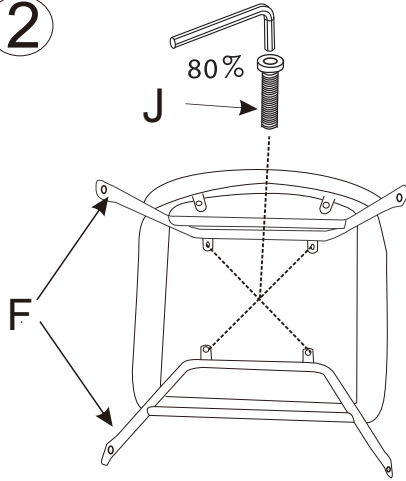
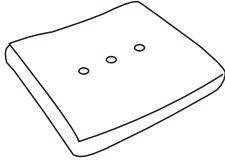
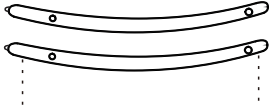
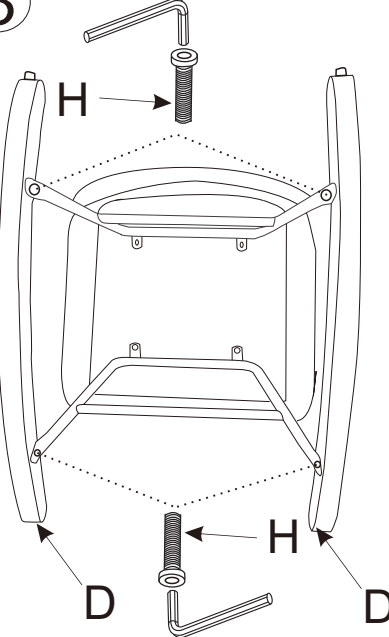
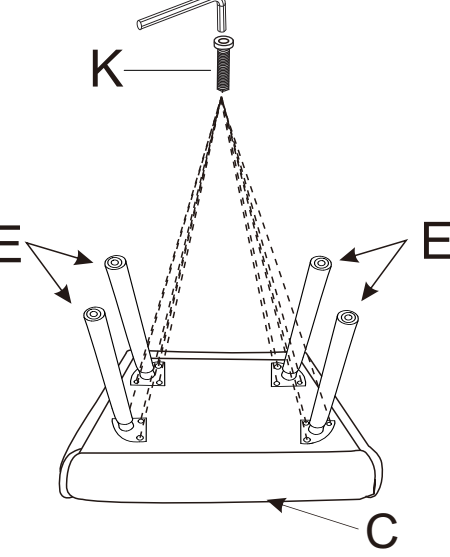
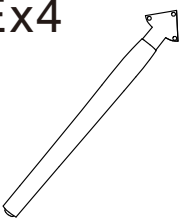
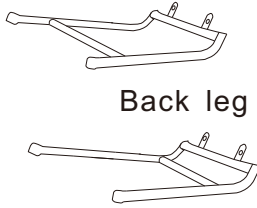




ASSEMBLY INSTRUCTION | INSTRUCTIONS DE MONTAGE

<p>Ax1</p> 	<p>Bx1</p> 	<p>1</p> 		<p>2</p>  <p>80%</p> <p>J</p> <p>F</p> <p>For better assembly in the following steps, please only screw all the screws to 80% of the position when assembling this step.</p>	
<p>Cx1</p> 	<p>Dx2</p>  <p>Back Front</p>			<p>3</p>  <p>H</p> <p>D</p>	<p>4</p>  <p>K</p> <p>E</p> <p>E</p> <p>C</p>
<p>Ex4</p> 	<p>Fx2</p>  <p>Back leg Front leg</p>	<p>Gx2</p>  <p>M6x50mm</p>	<p>Hx4</p>  <p>M8x30mm</p>		
<p>1PC</p> 