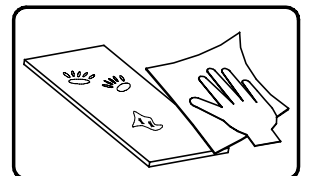
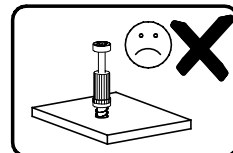
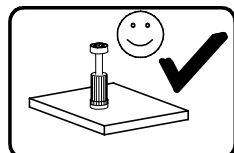
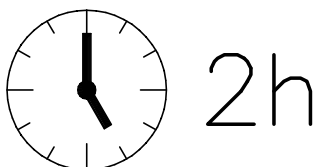
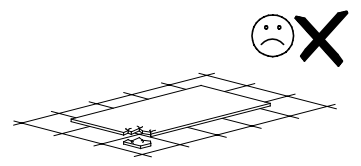
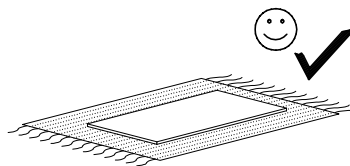
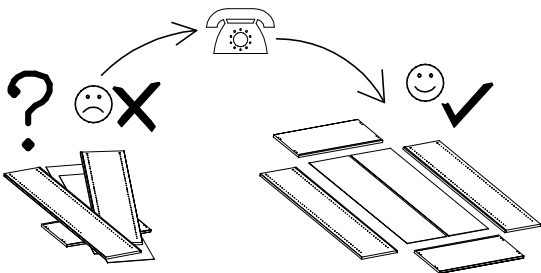
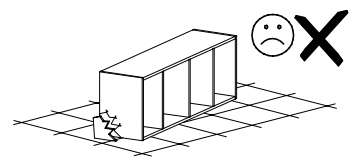
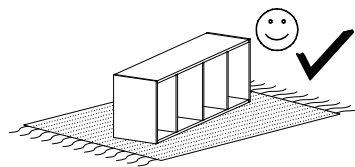
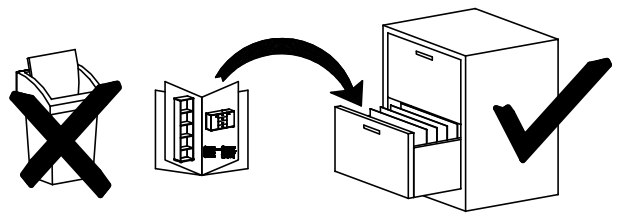
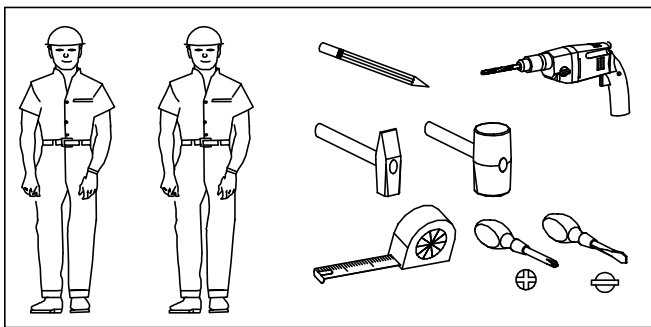
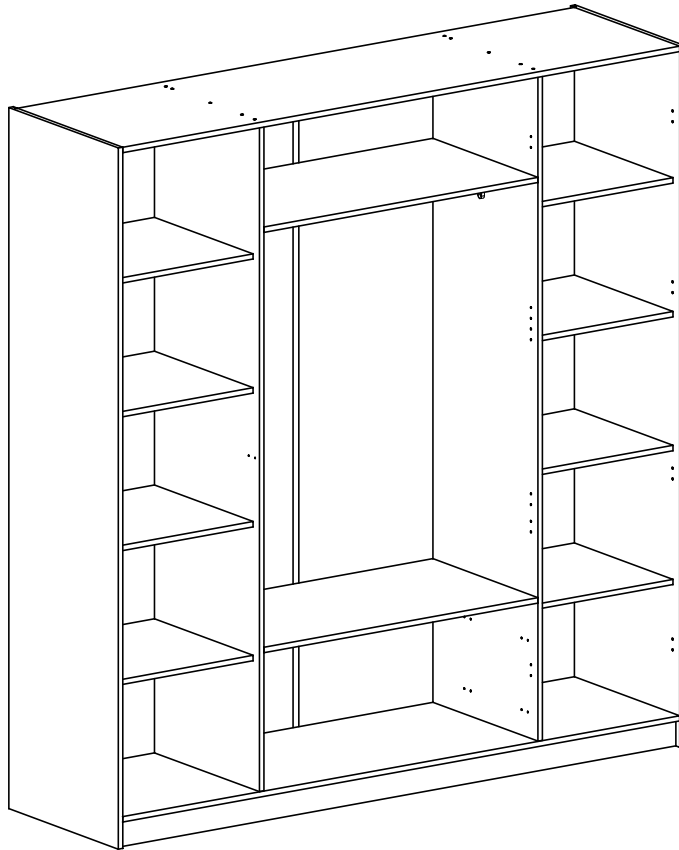
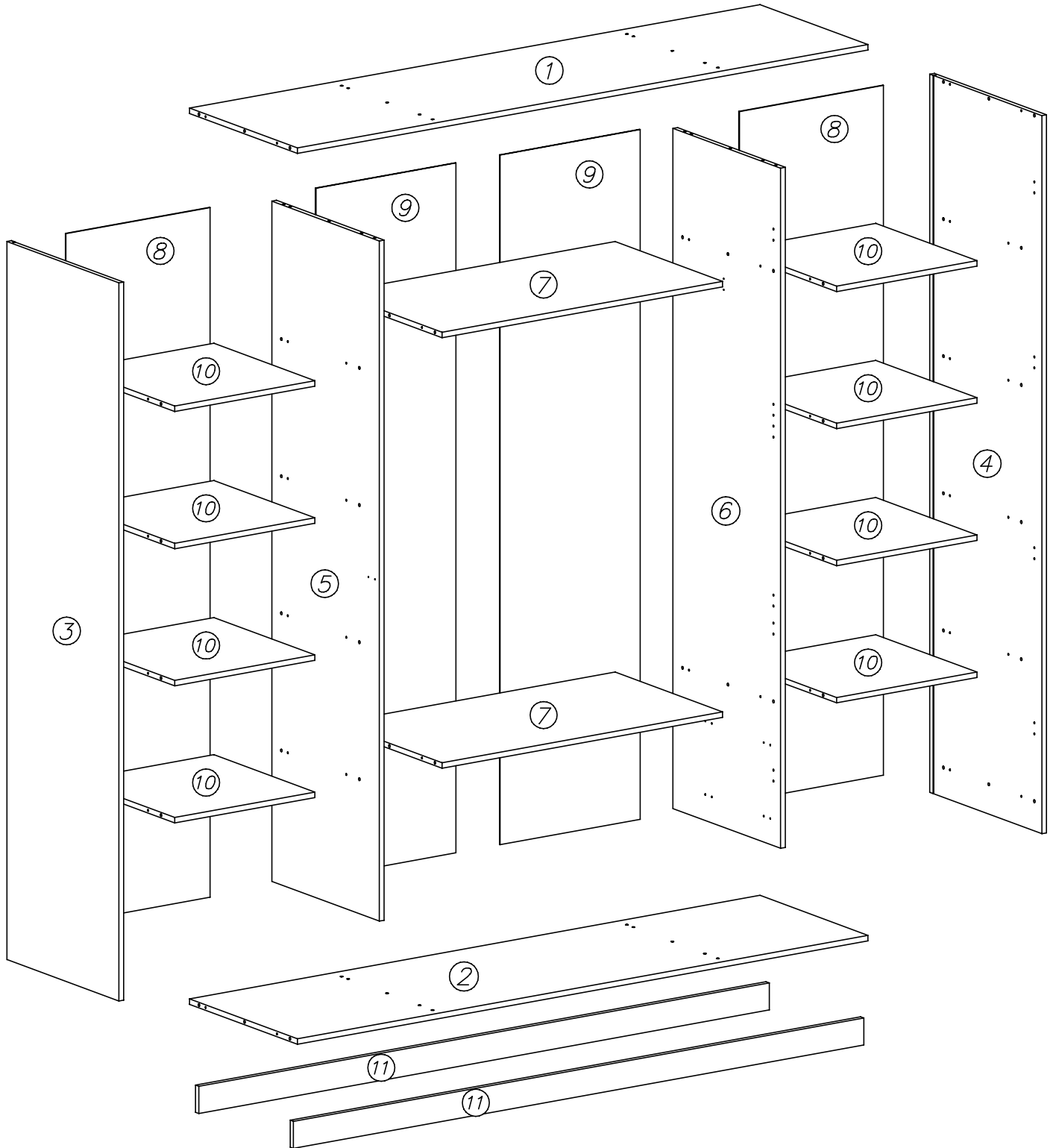
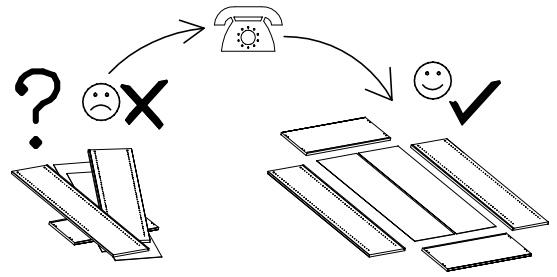
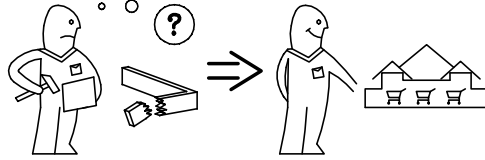
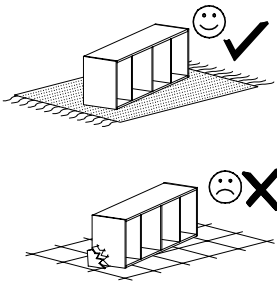
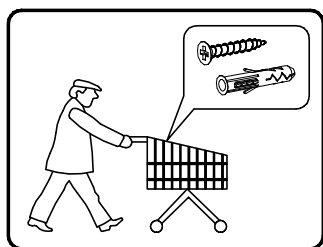
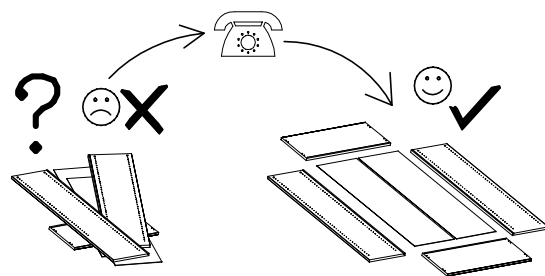
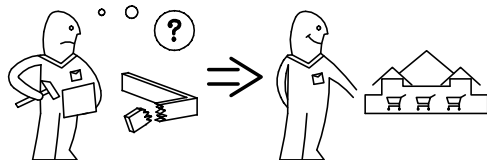
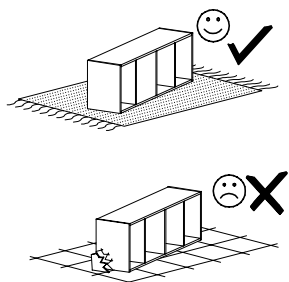




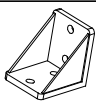
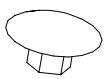


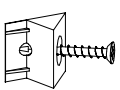

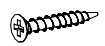
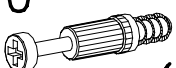

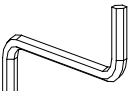
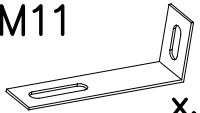

AURORA szafa

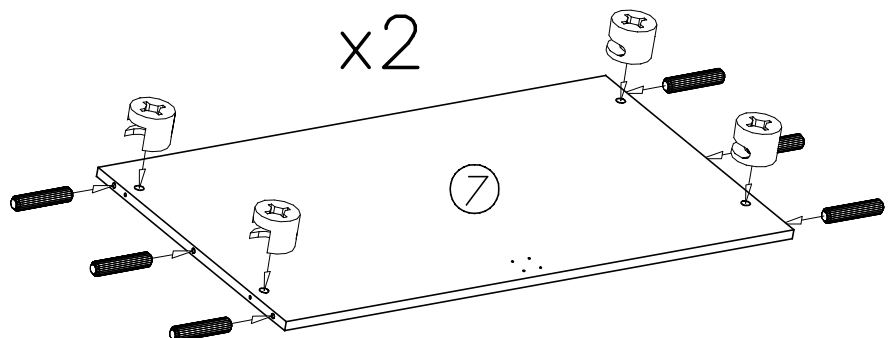
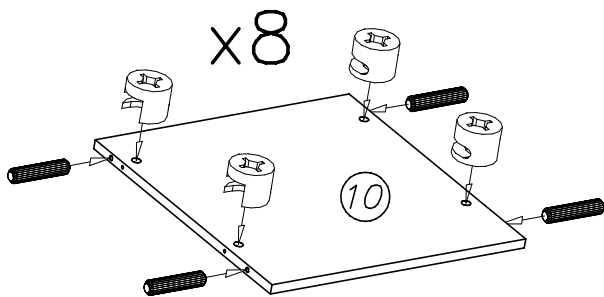
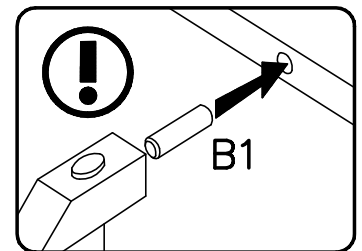
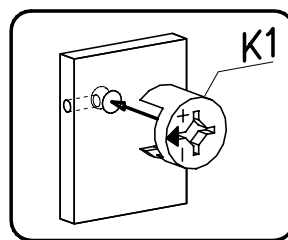
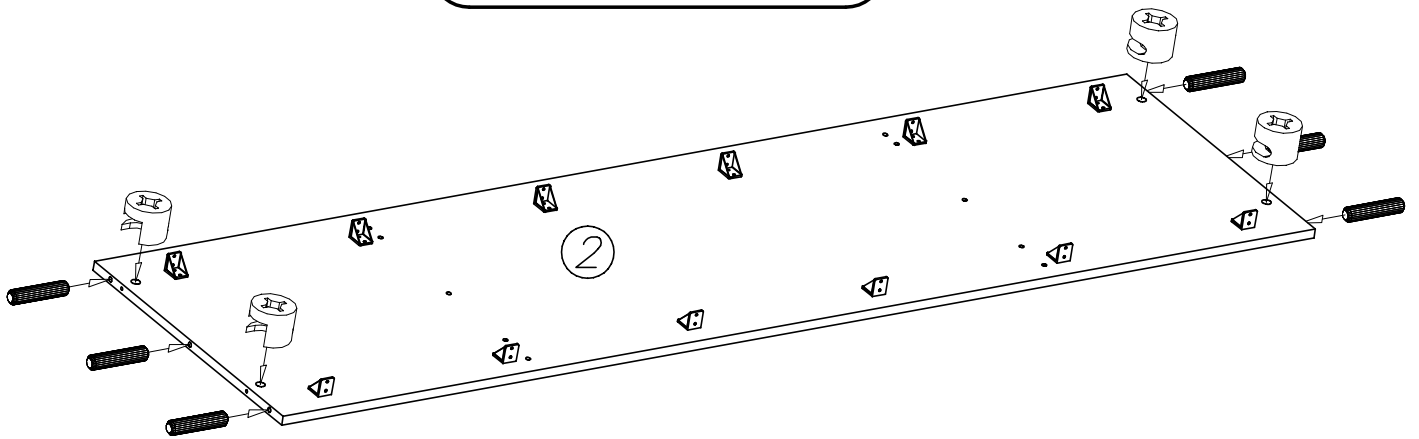
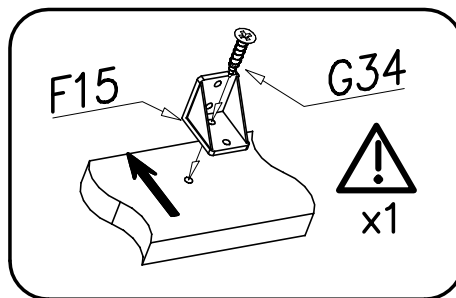
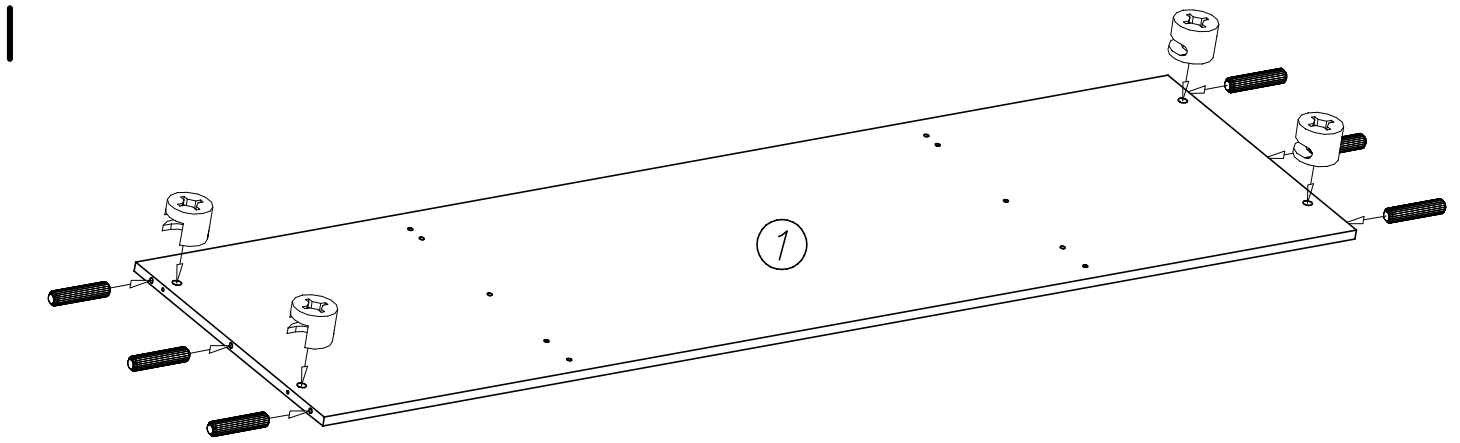


AURORA szafa

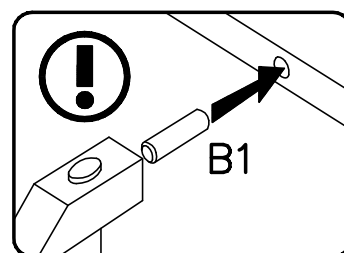
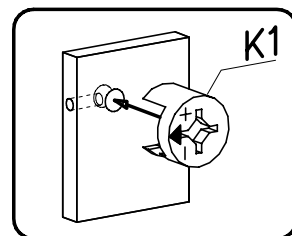
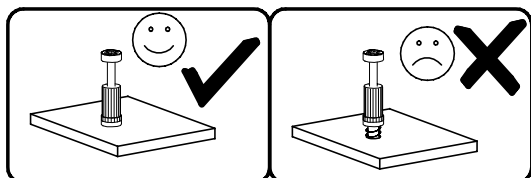
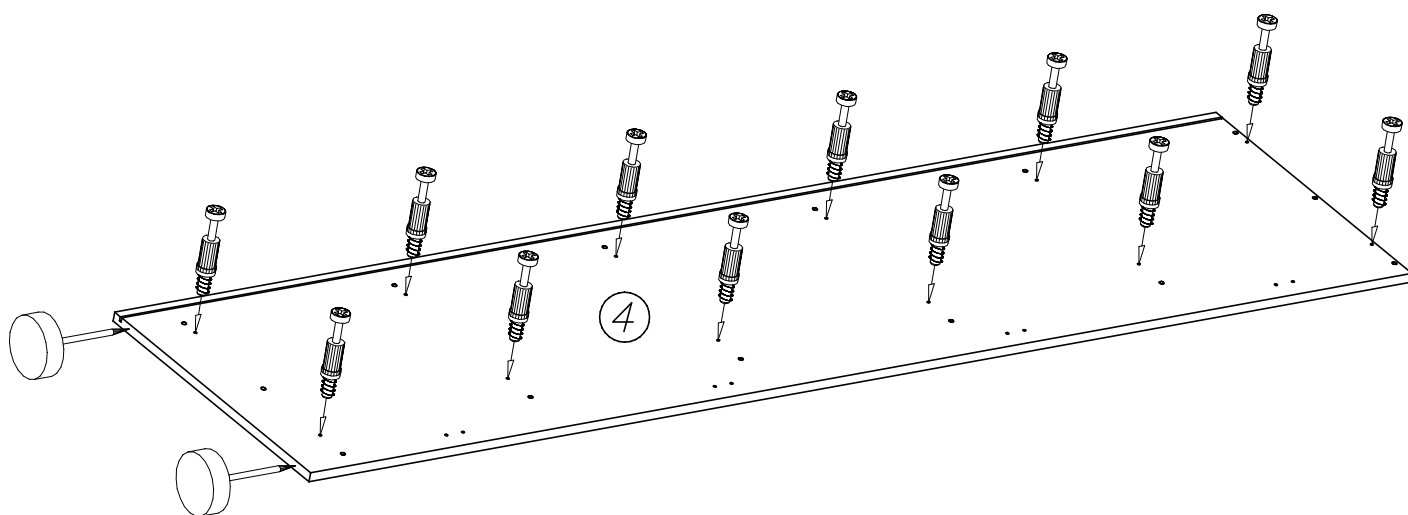
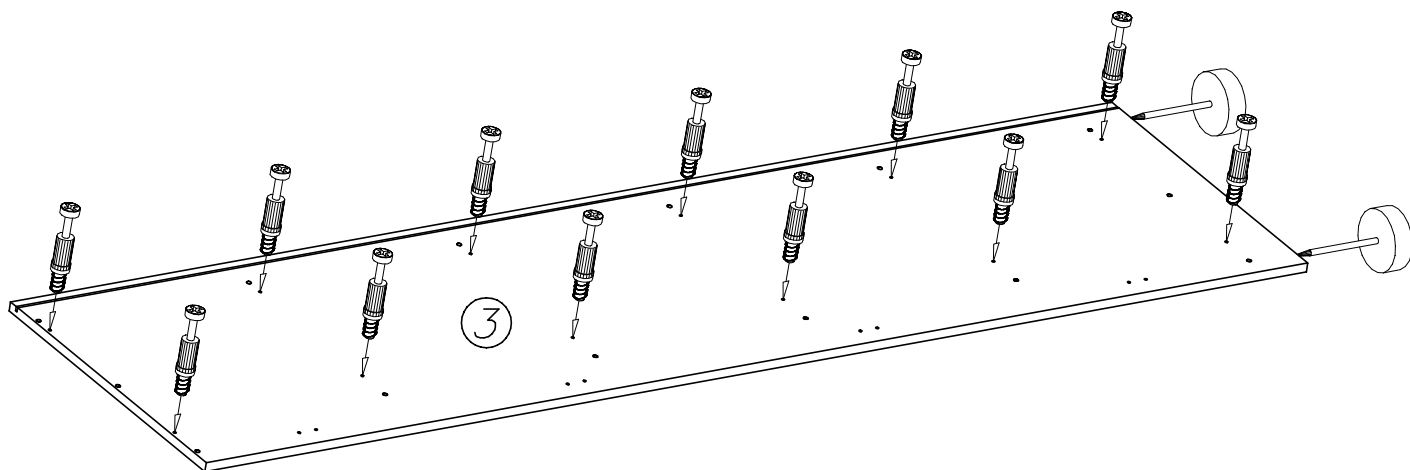




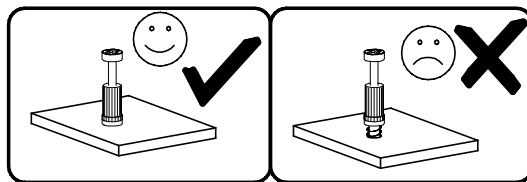
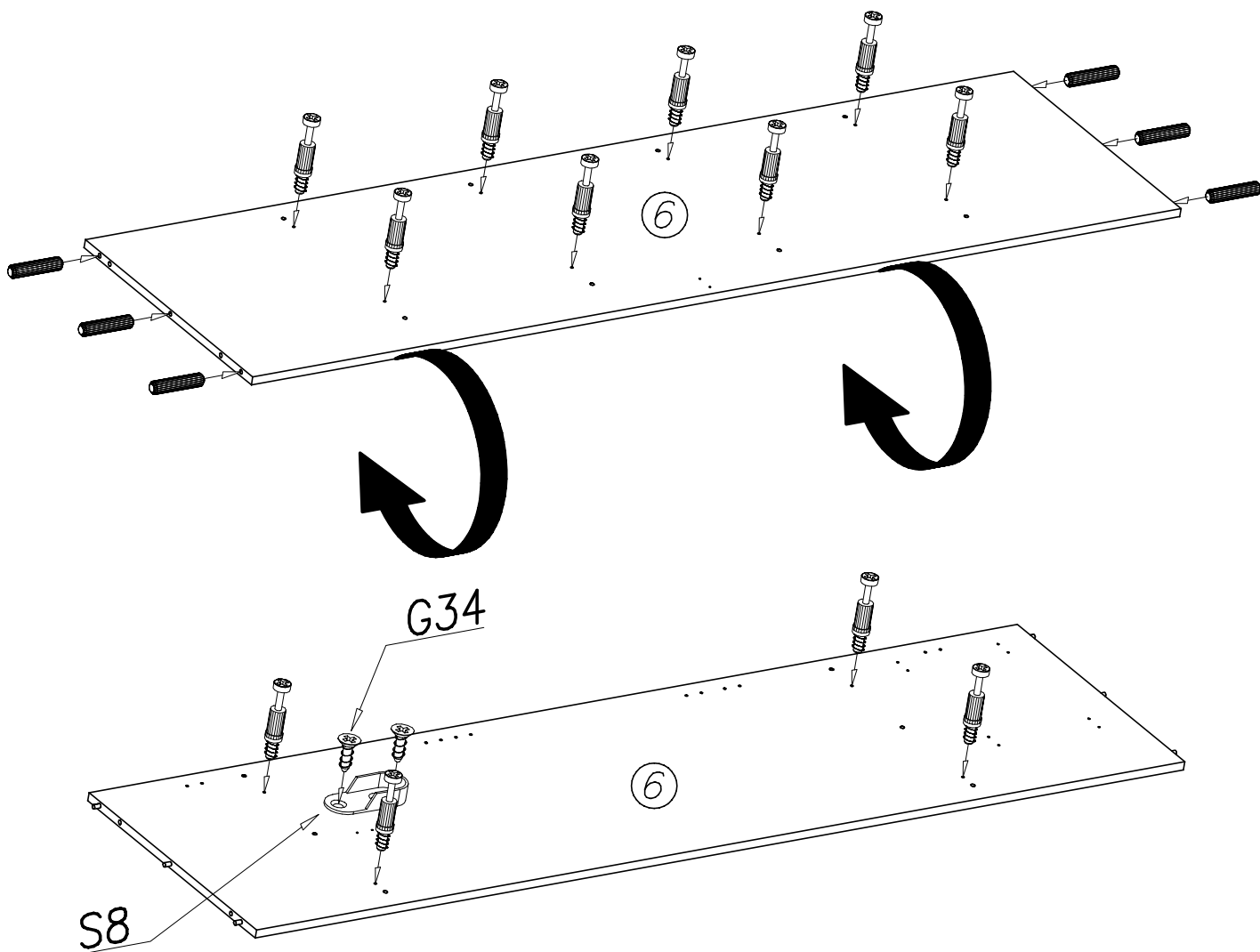
P4  x...(8)	G57  3,5x16 x...(68)	F15  x...(16)	I7  ø18 x...(48)	
K1  ø15x12 x...(48)	S1  1988mm x...(1)	I1  x...(10)	A1  ø7x50 x...(8)	G2  3x20 x...(126)
K10  x...(48)	B1  ø8x35 x...(68)	W2  x...(1)	M11  x...(2)	S2  x...(36)



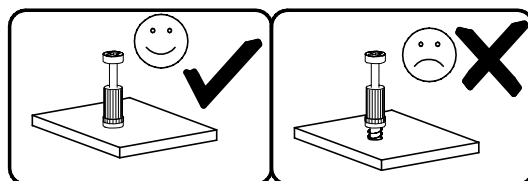
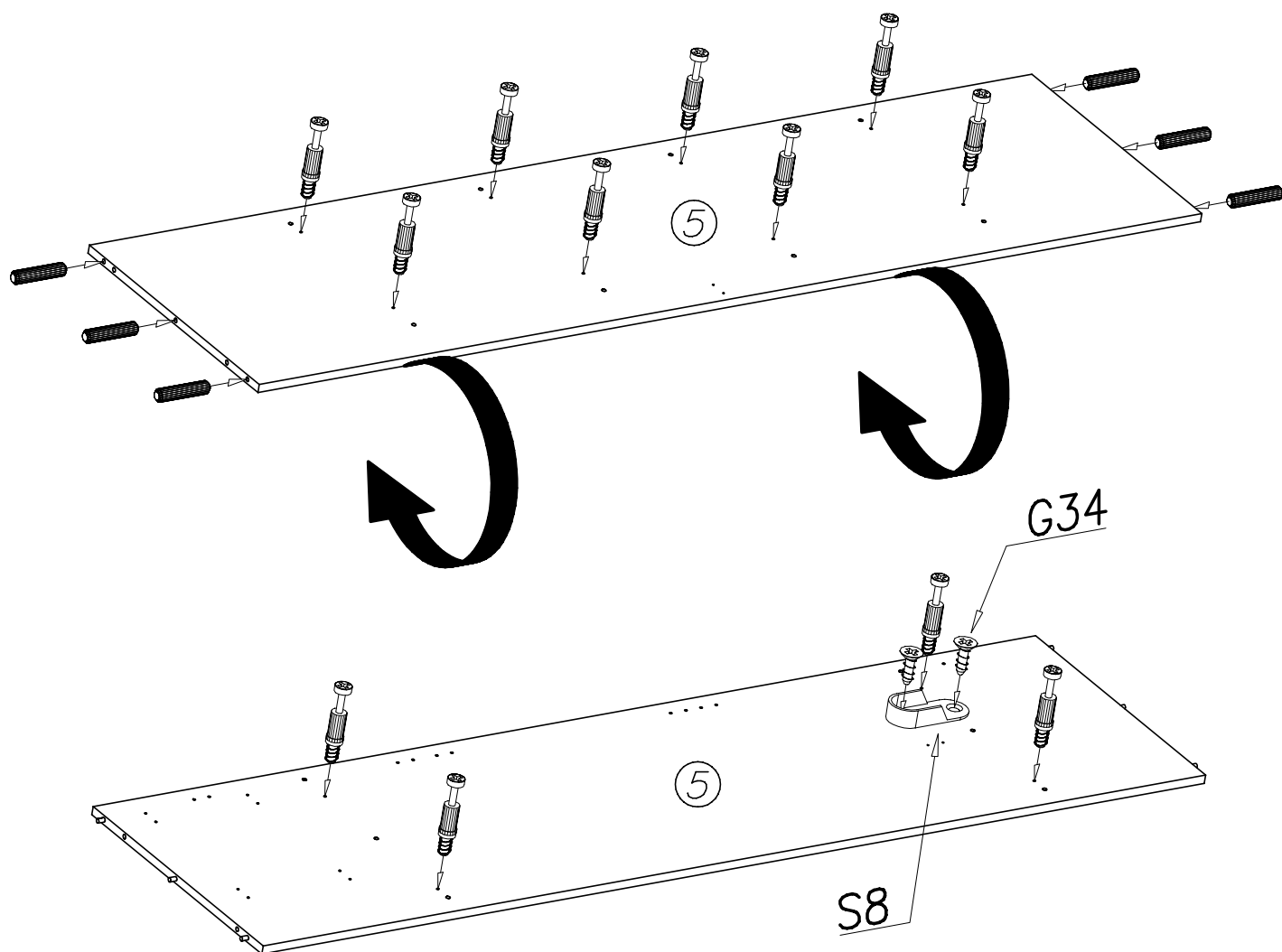
II



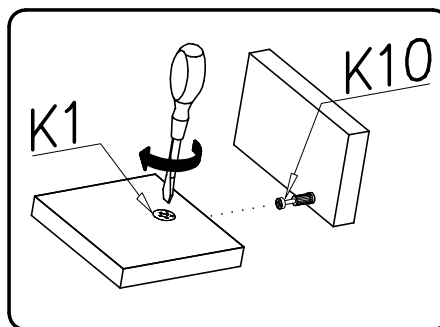
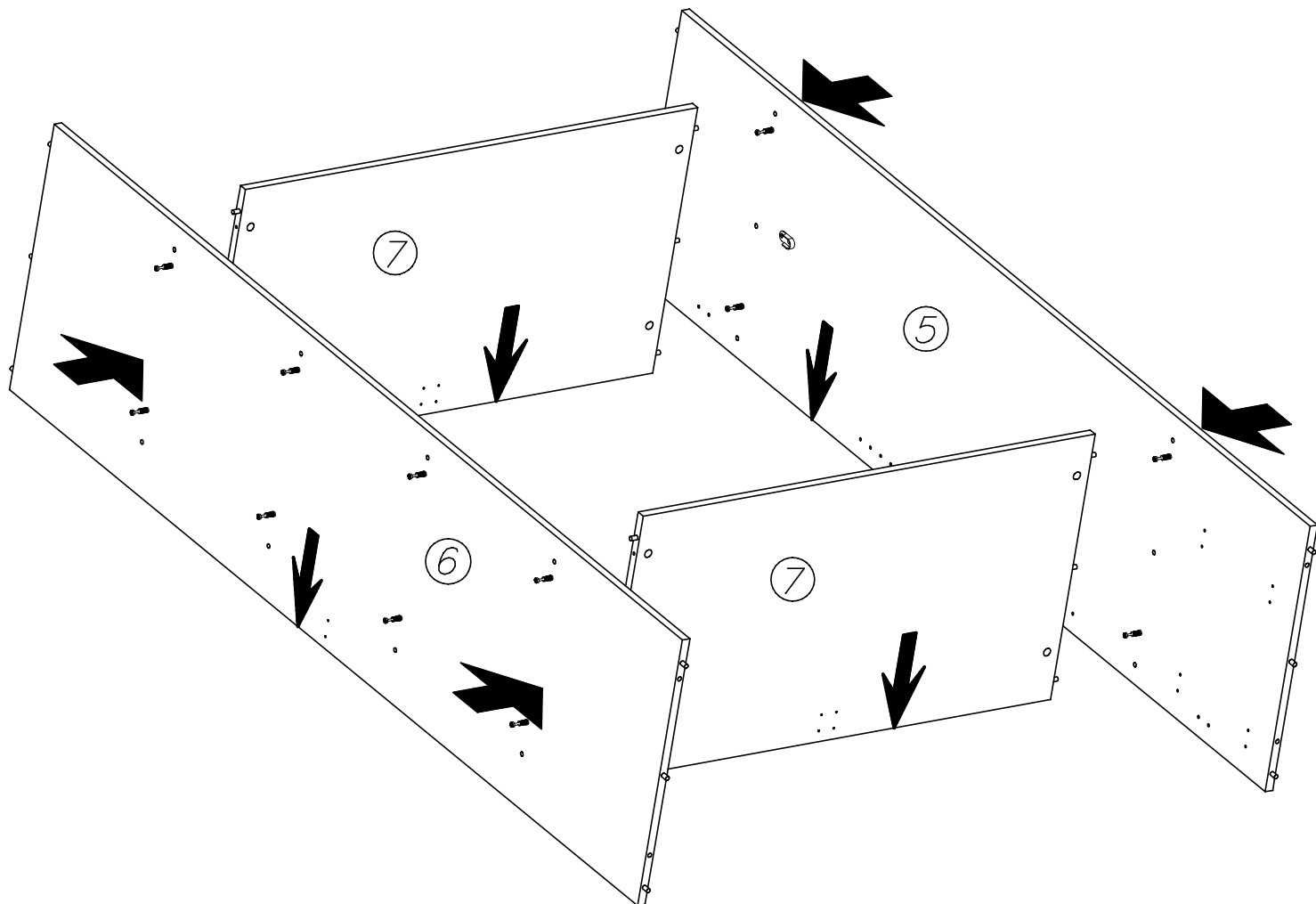
III



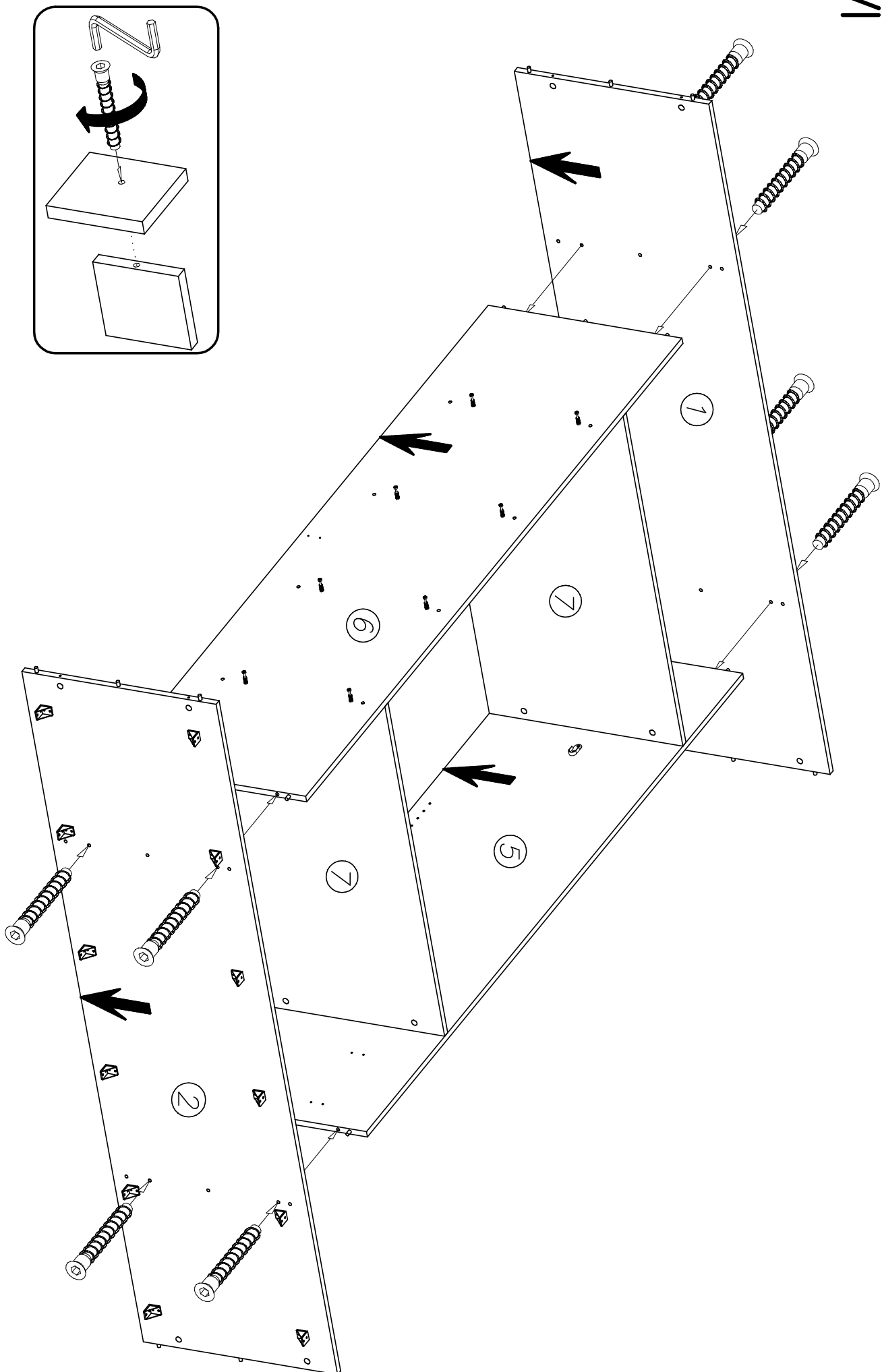
IV



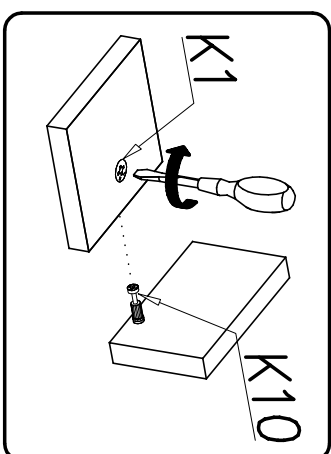
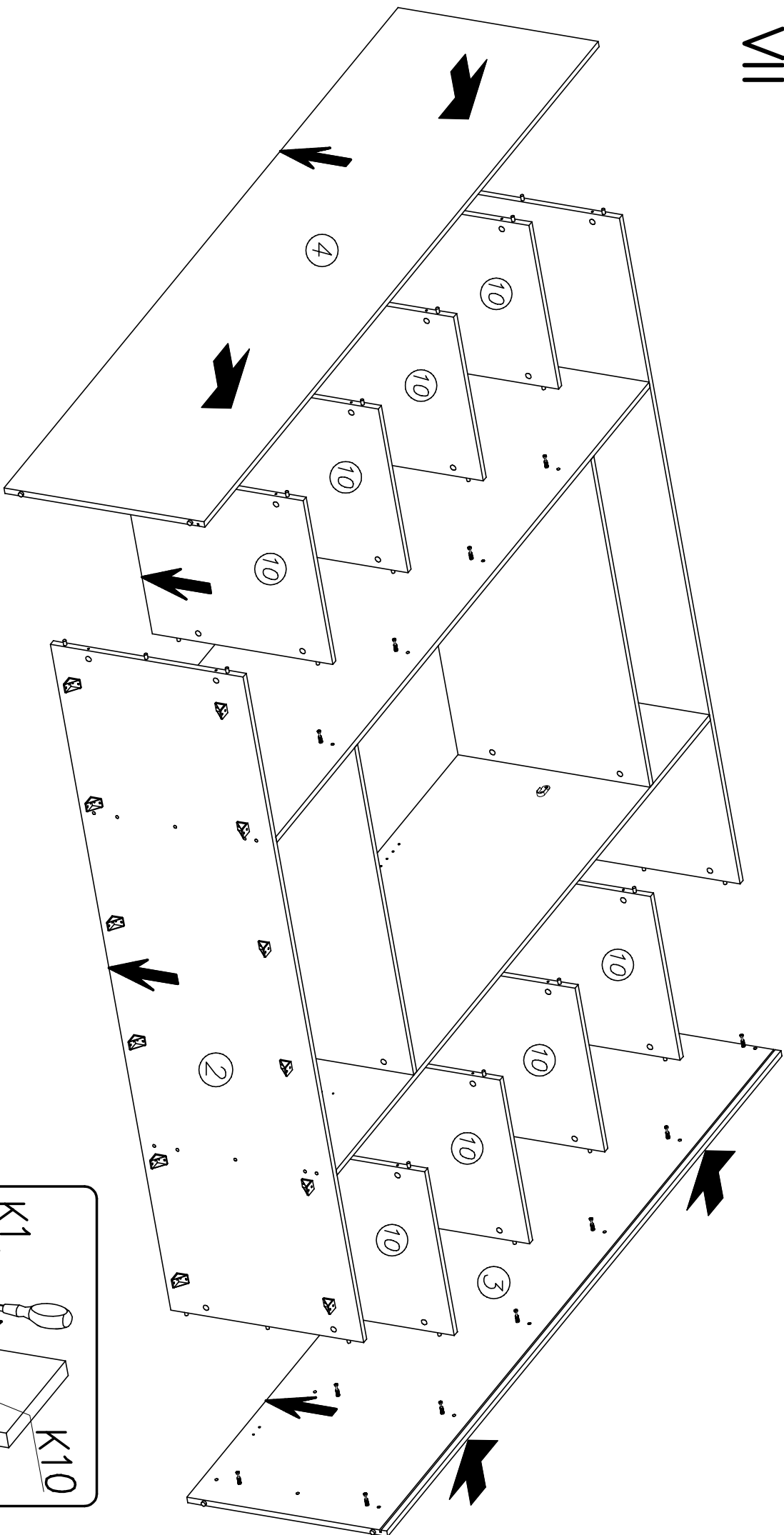
V



VI

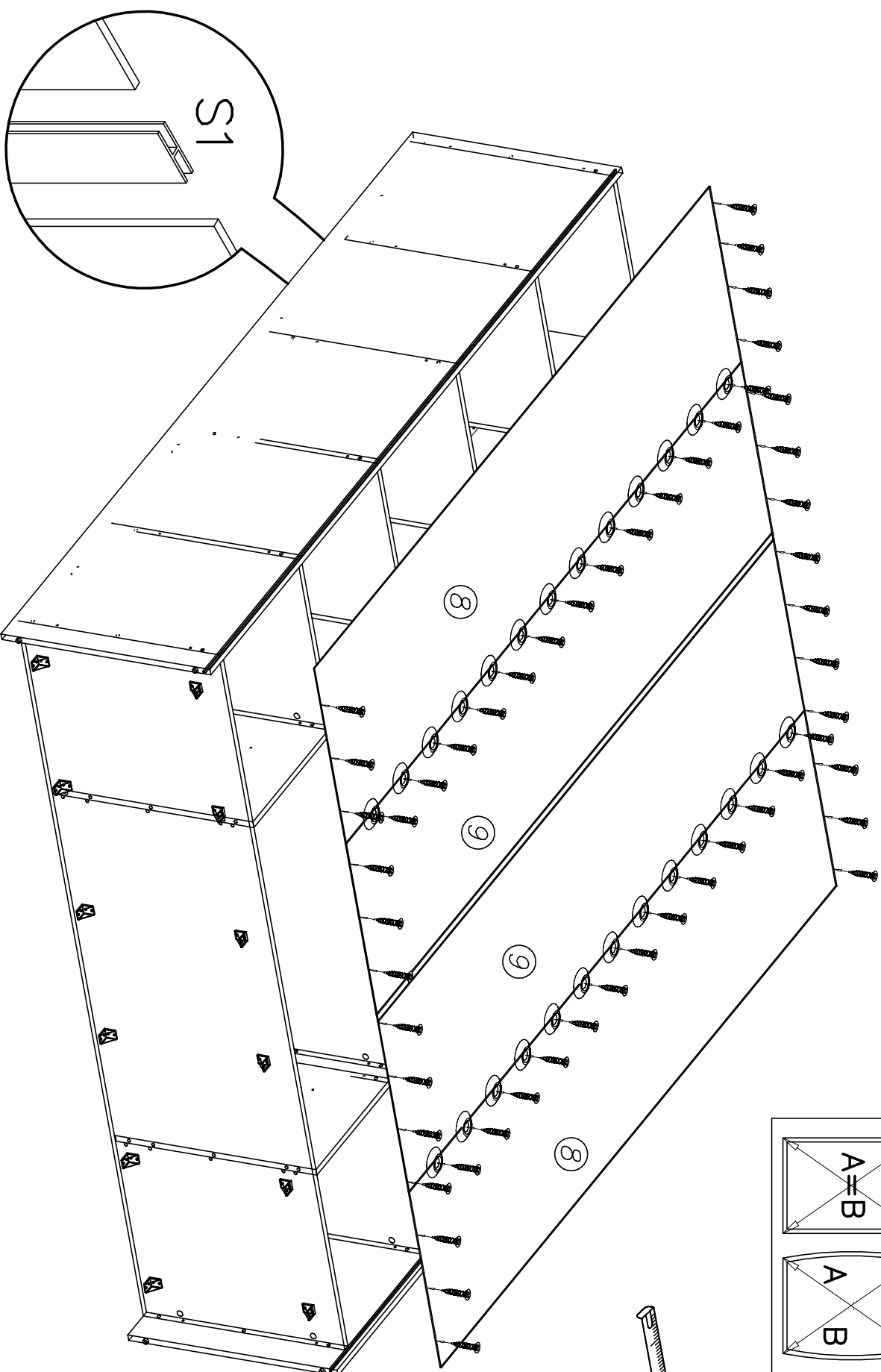
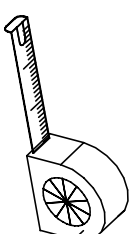
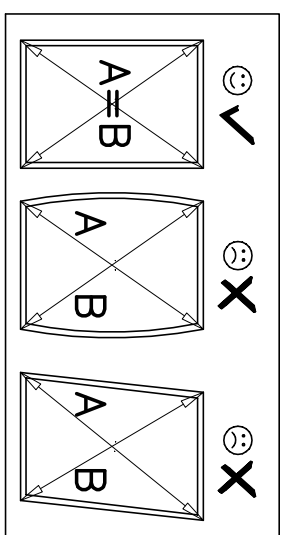


VII

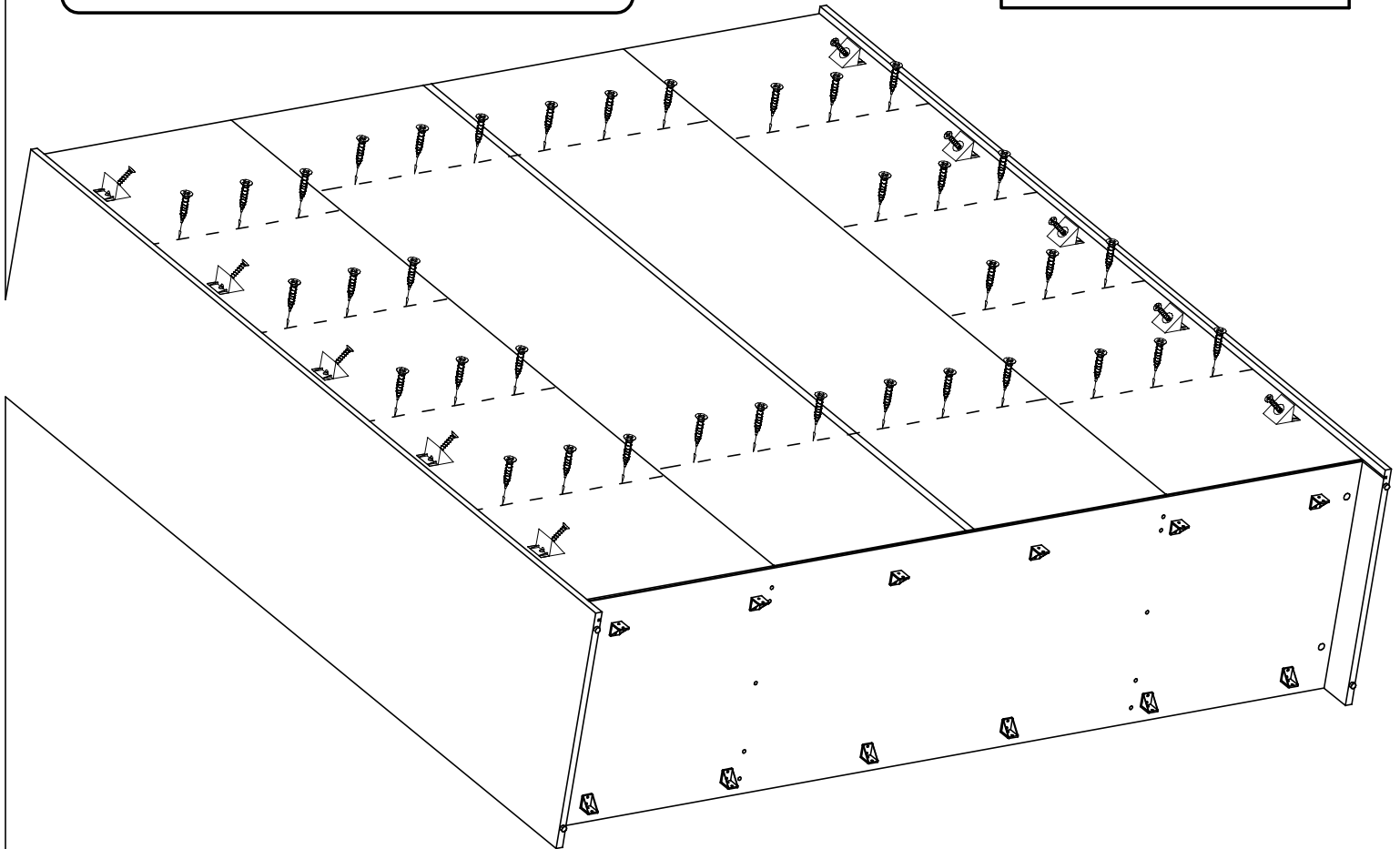
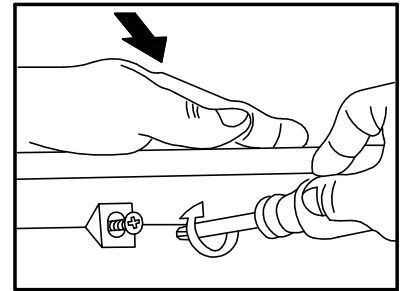
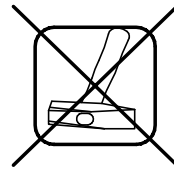
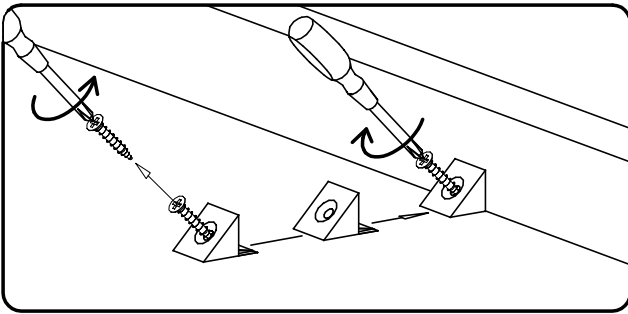
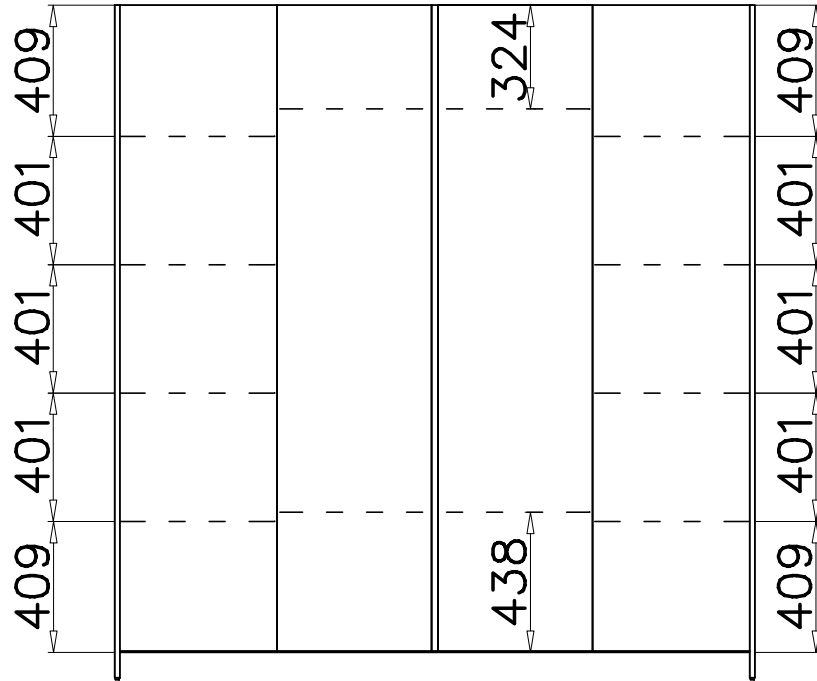


VIII

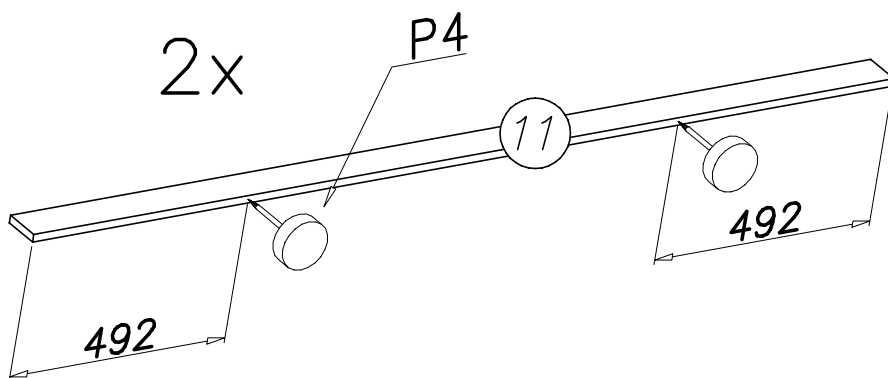
A=B



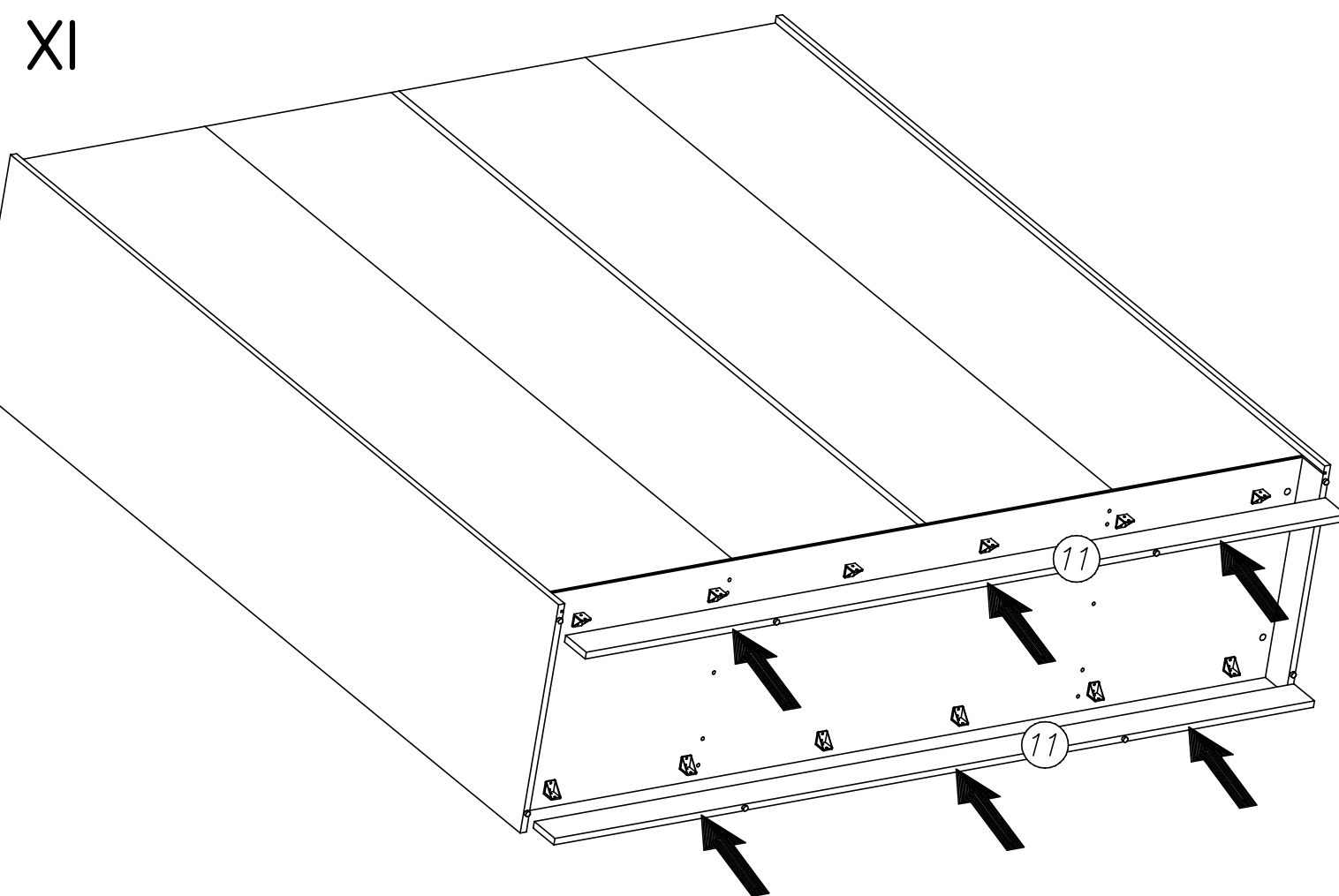
IX



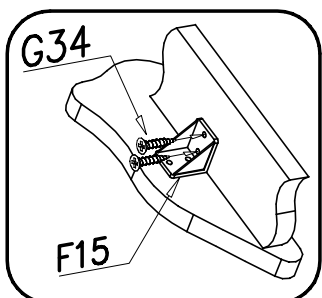
X



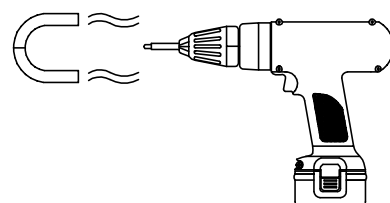
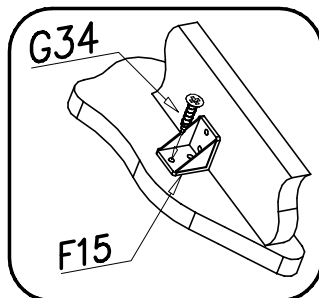
XI



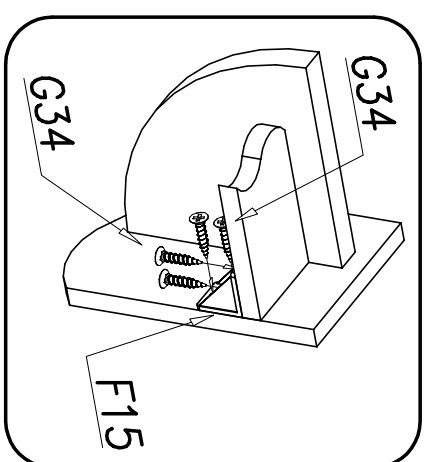
1.



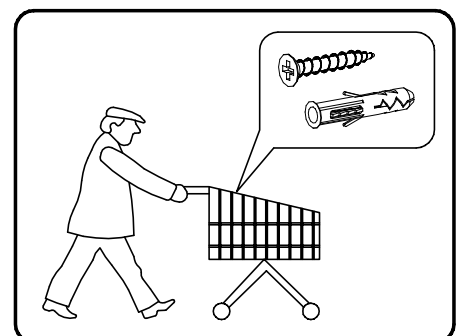
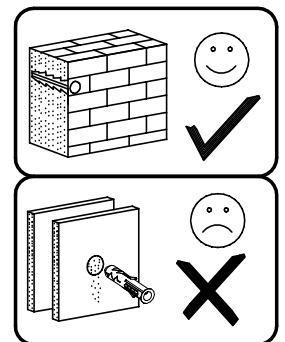
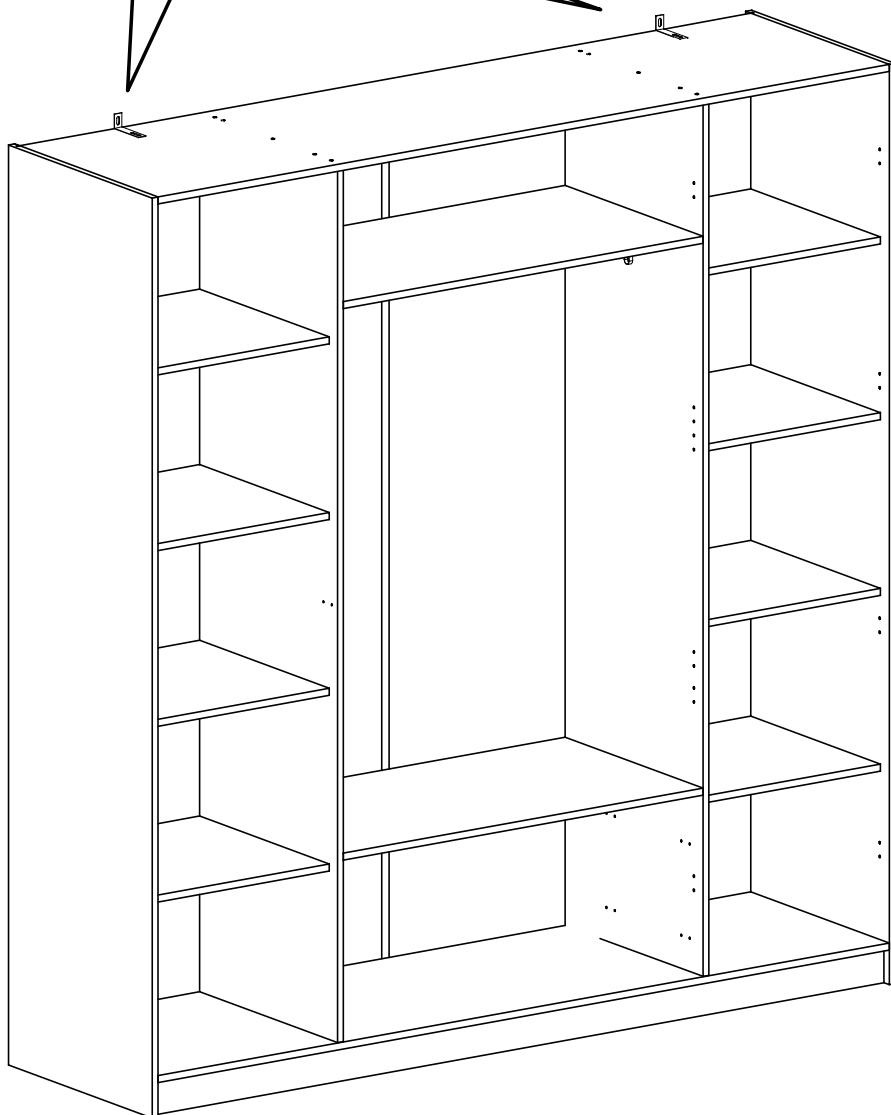
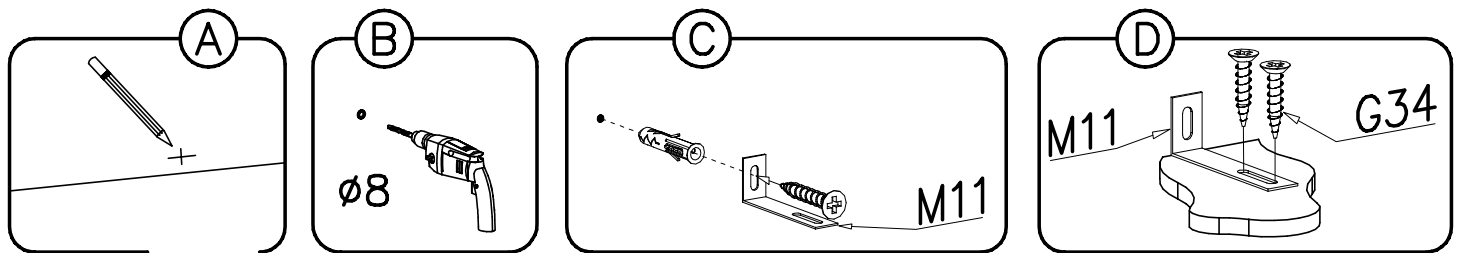
2.



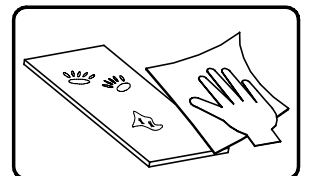
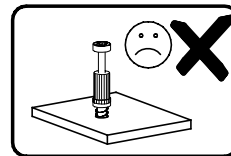
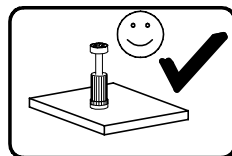
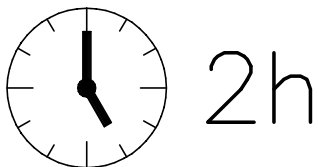
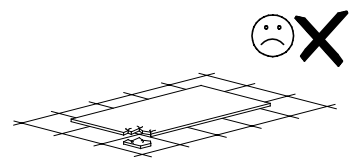
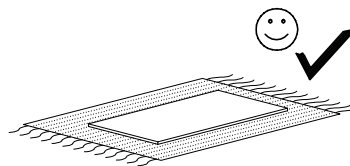
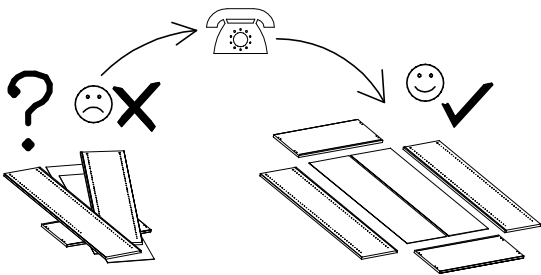
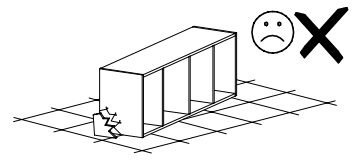
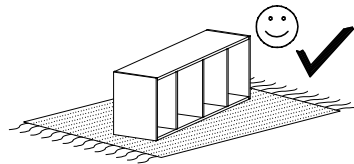
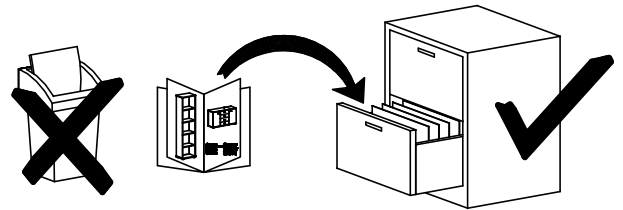
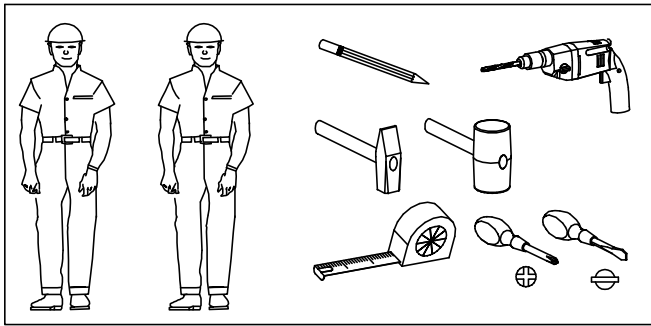
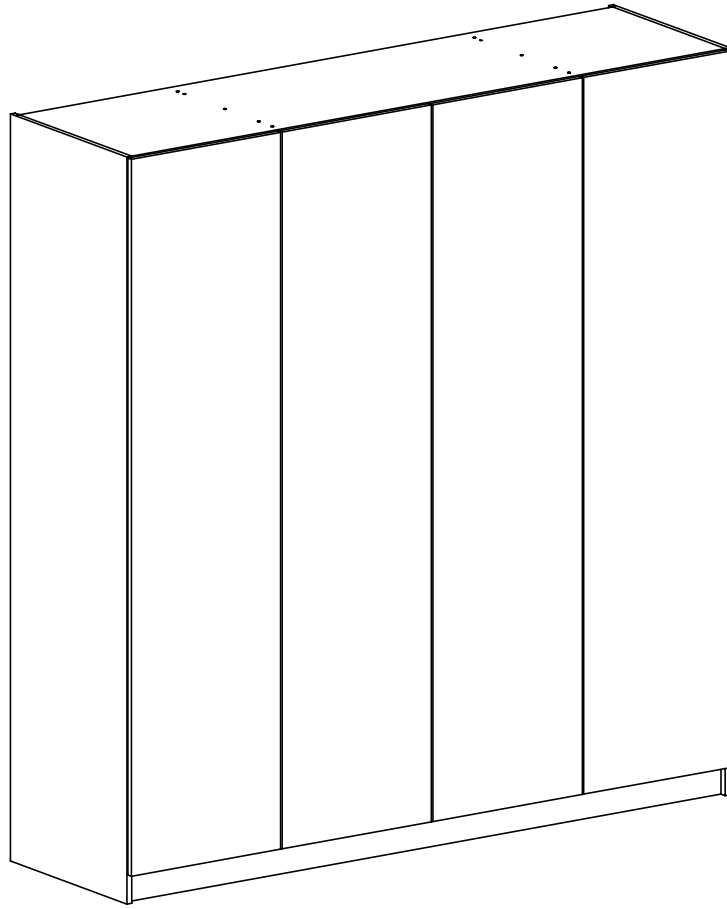
XIII



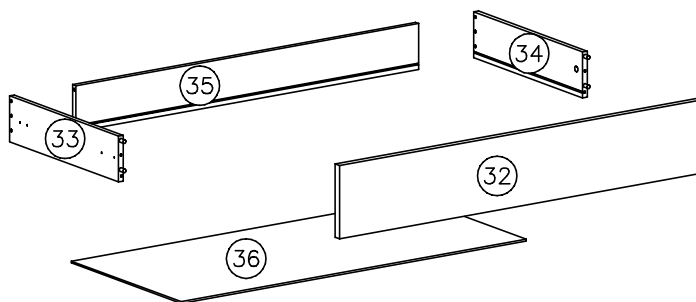
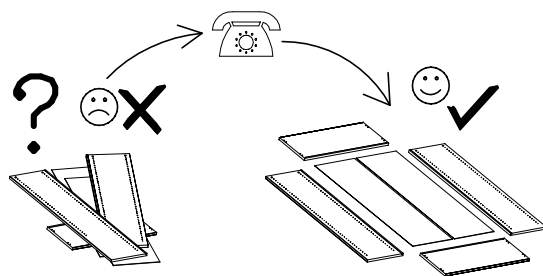
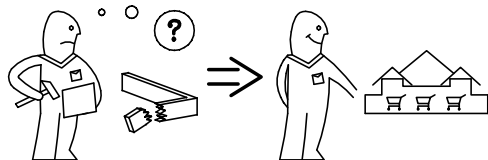
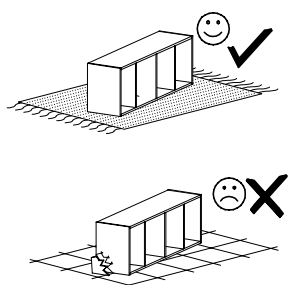
XIII

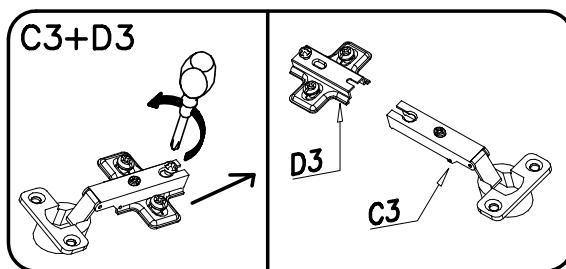
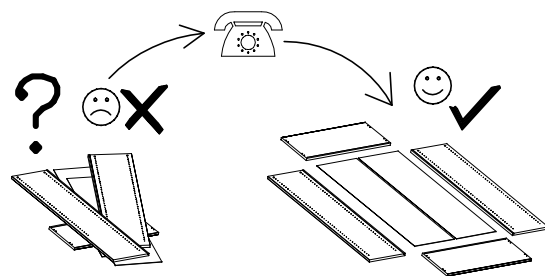
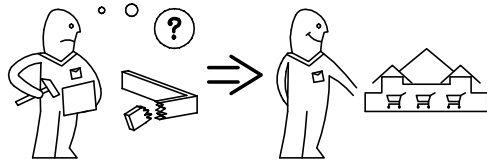
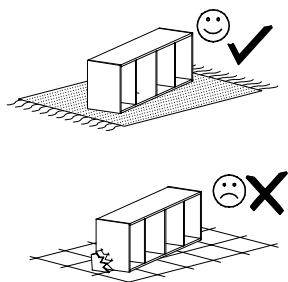


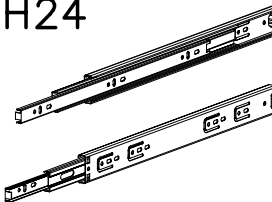
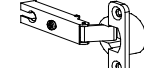

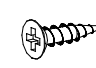
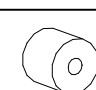
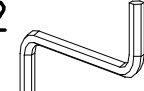


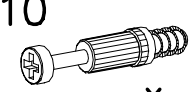

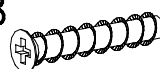

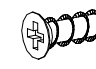
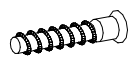
AURORA szafa 4D push



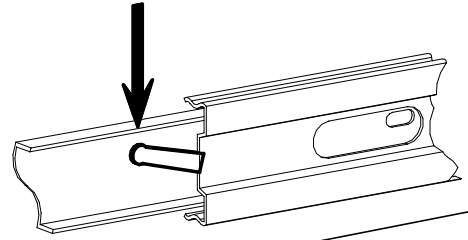
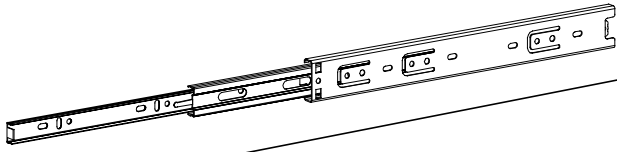
AURORA szafa 4D push



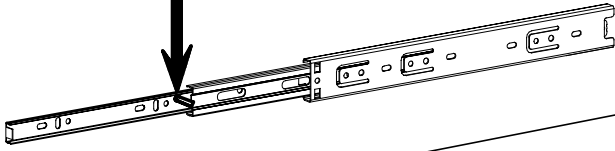


H24  H35-400mm x...(2)	C3  Z35PR x...(16) D3 H=2  PZ35PR x...(16)	G34  3,5x16 x...(36) I27  18mm x...(8)	W2  x...(1)	K4  ø12x10 x...(4) L14  x...(4)
K10  x...(4)	W1  x...(1)	G58  6x32 x...(8)	M8  400mm x...(2)	G20  5x11 x...(8)
		A6  ø7x40 x...(8)		

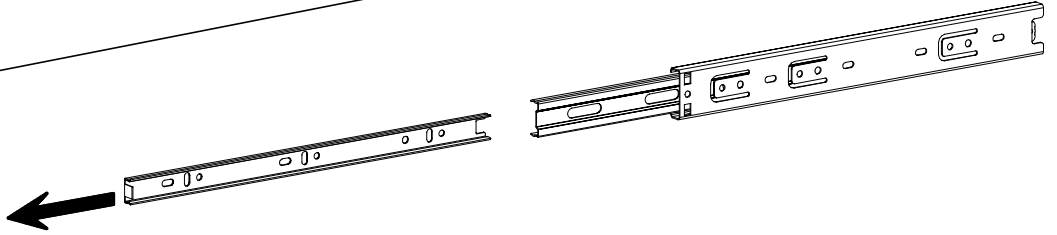
A



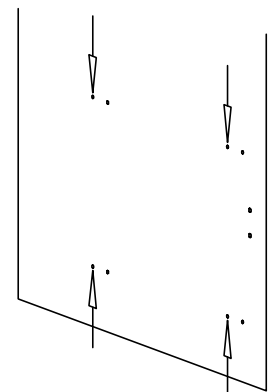
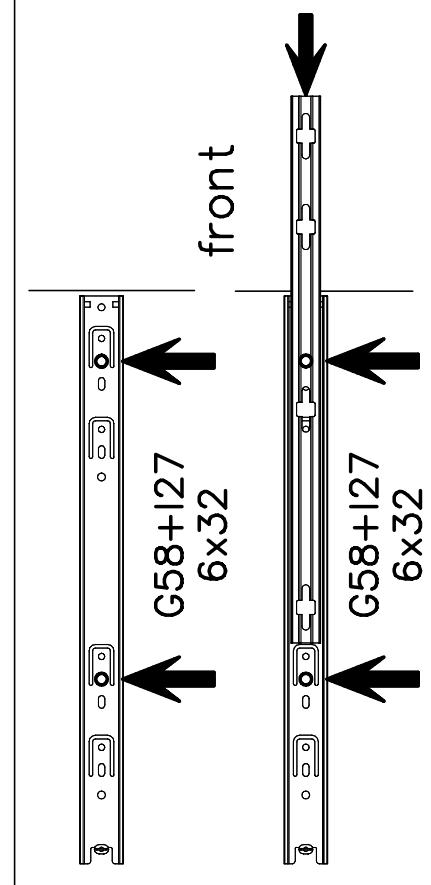
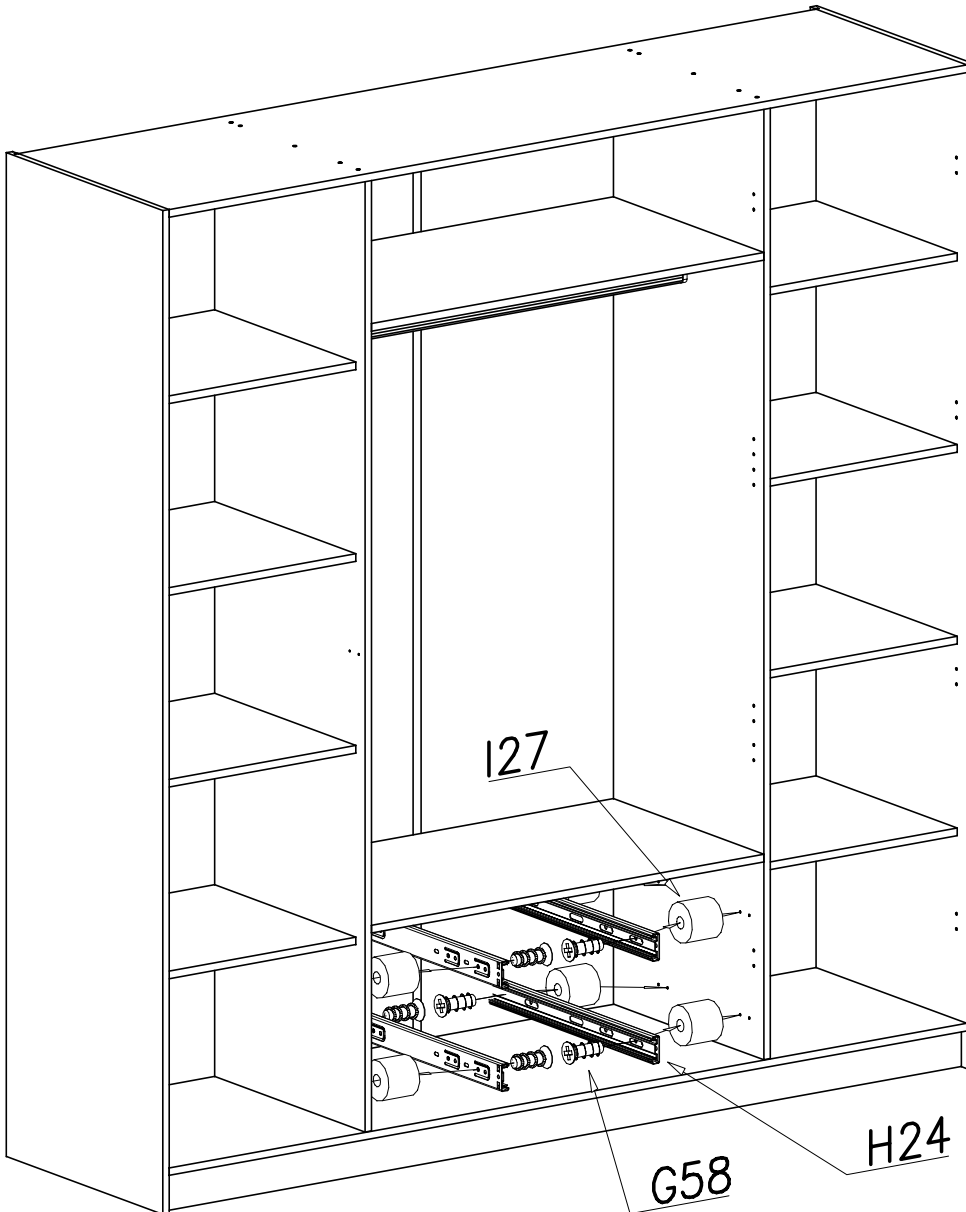
B



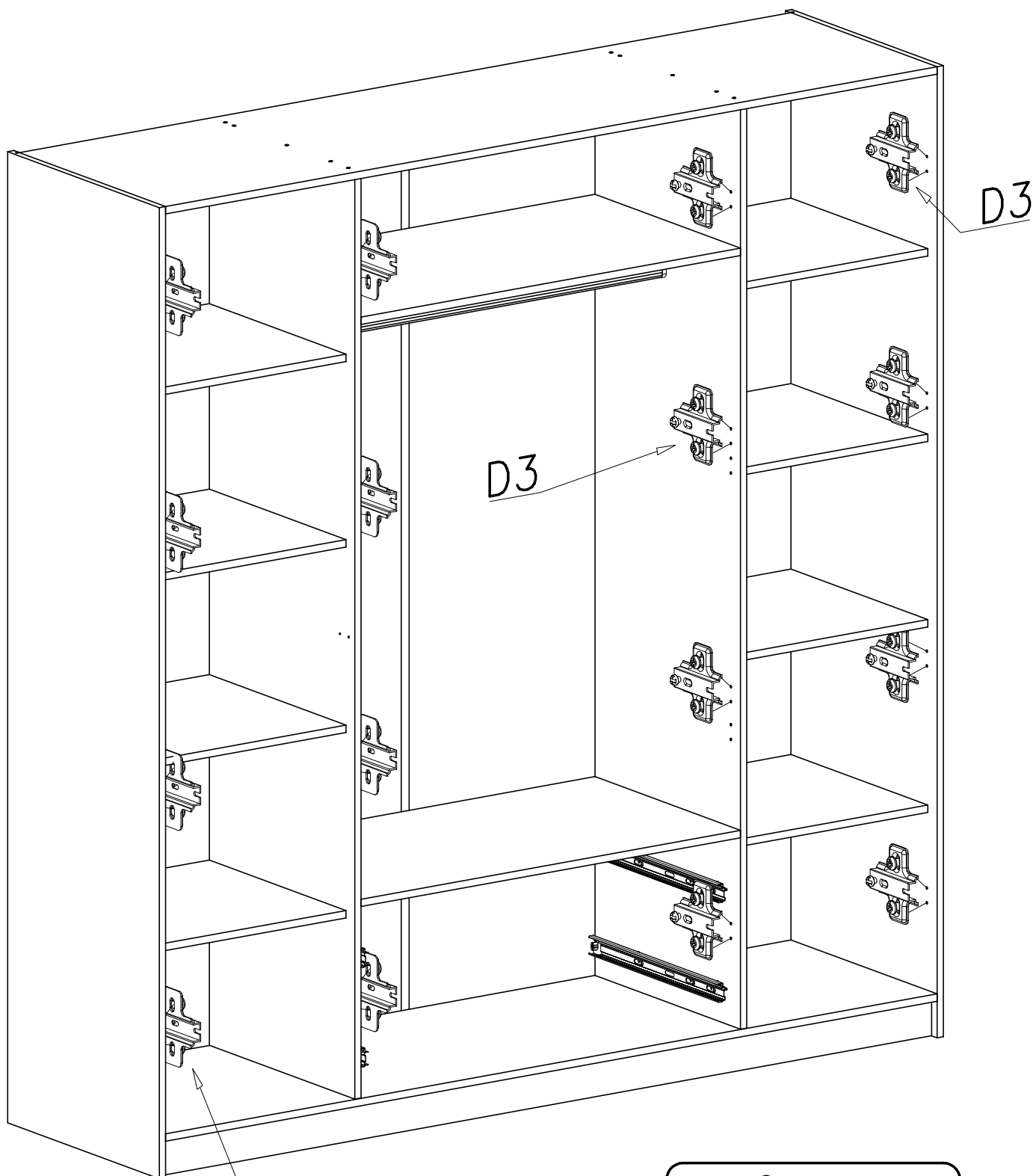
C



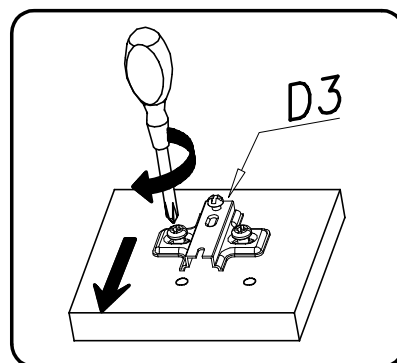
I



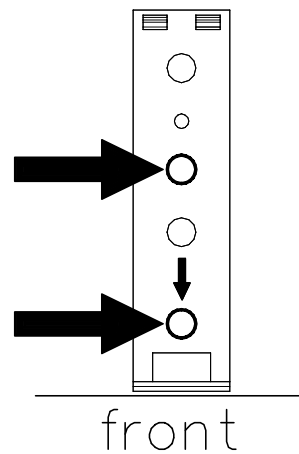
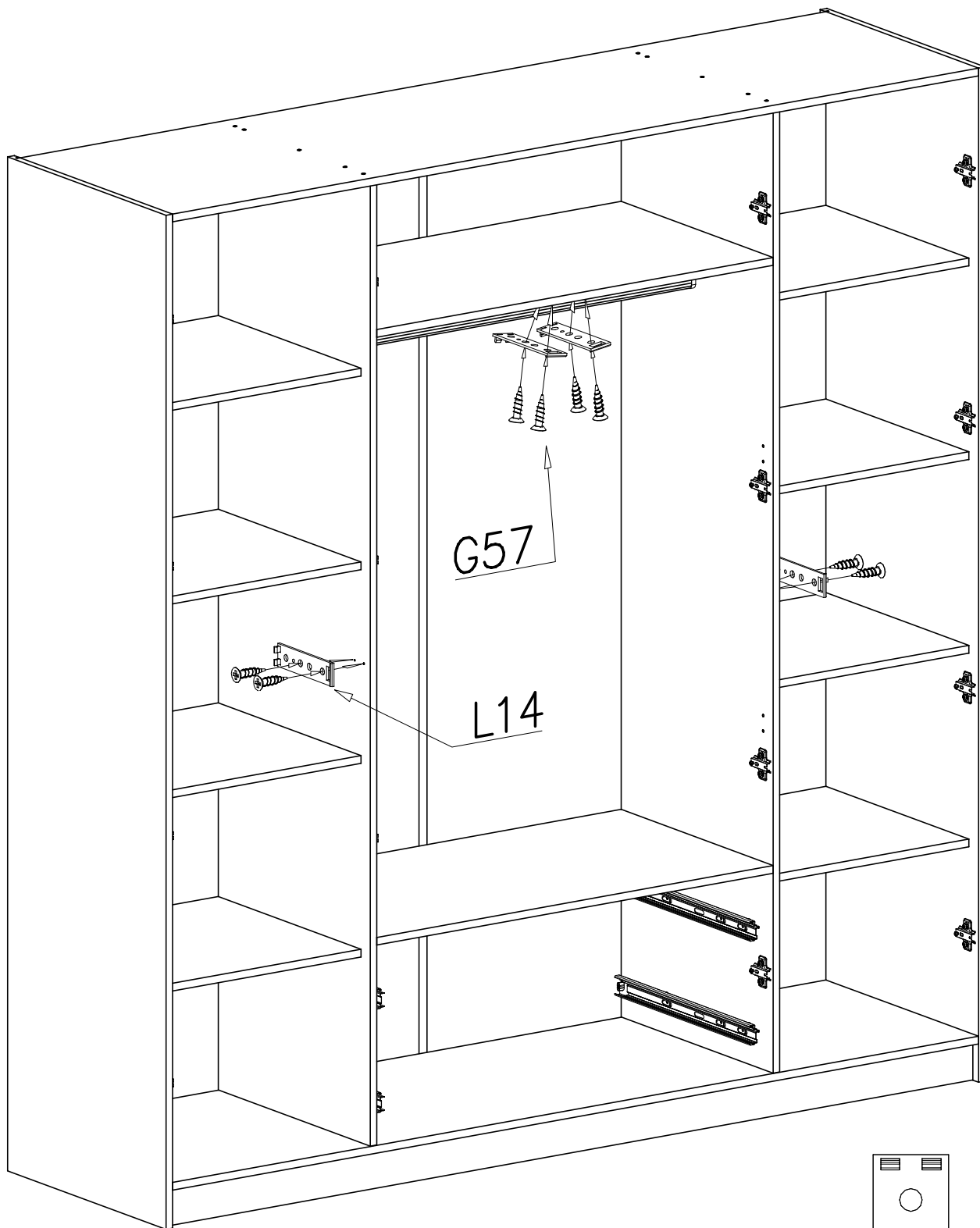
II



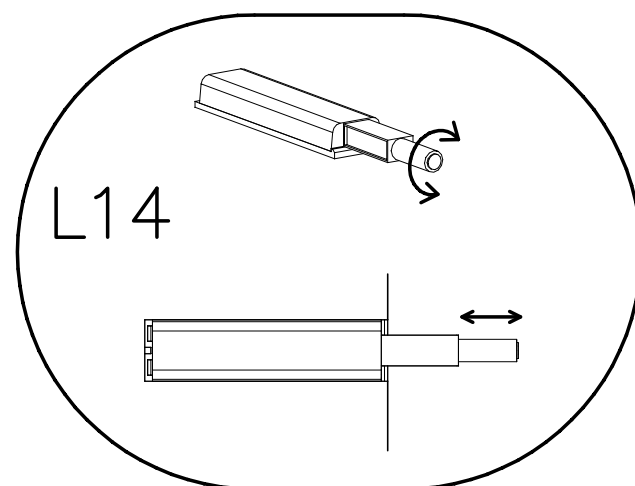
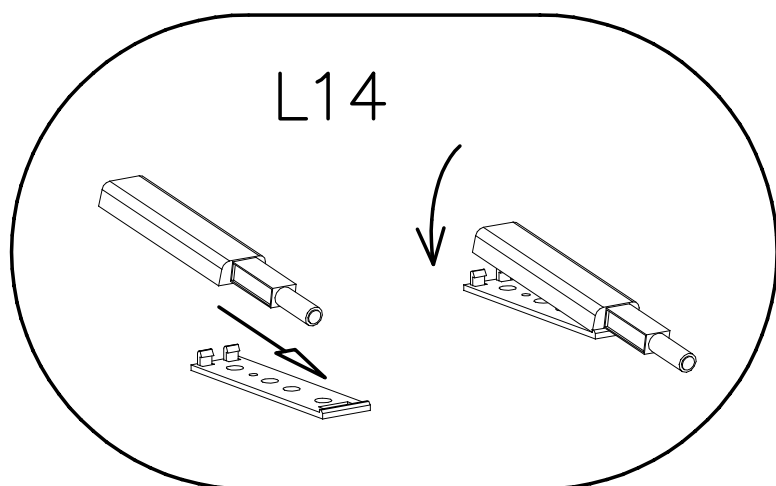
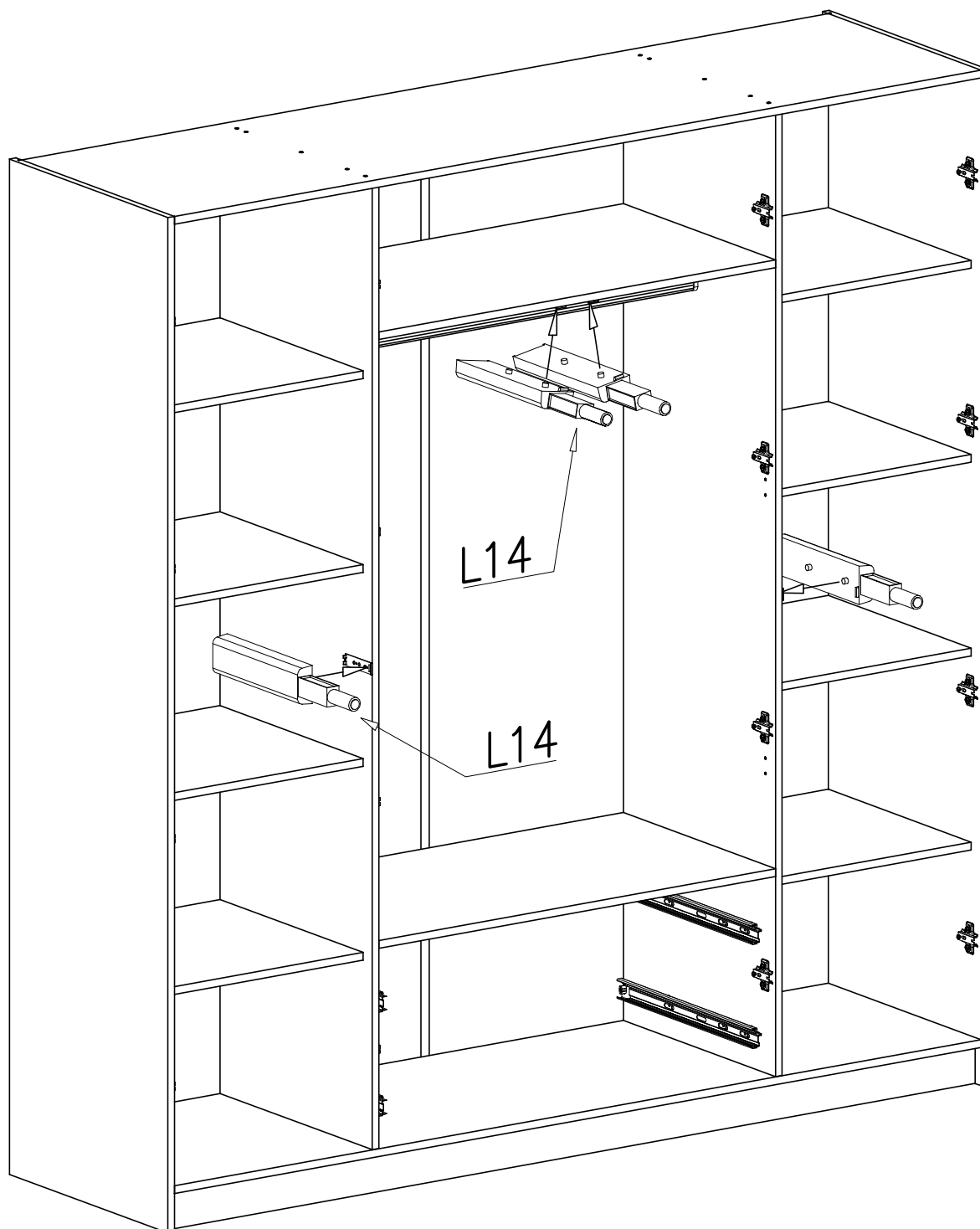
D3



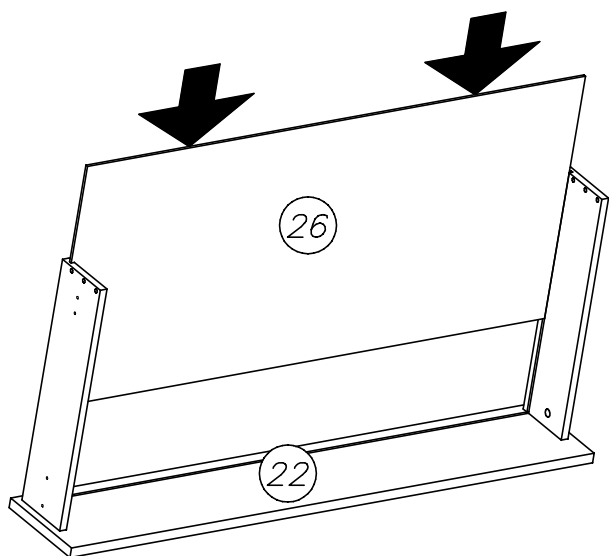
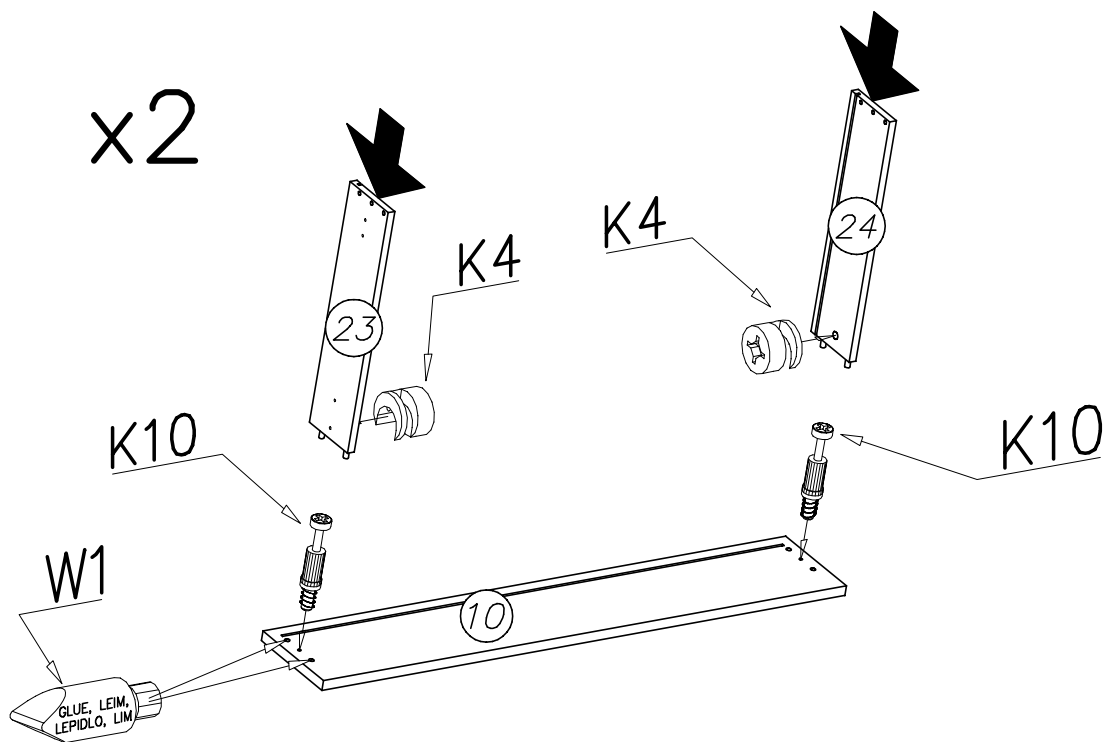
III



IV

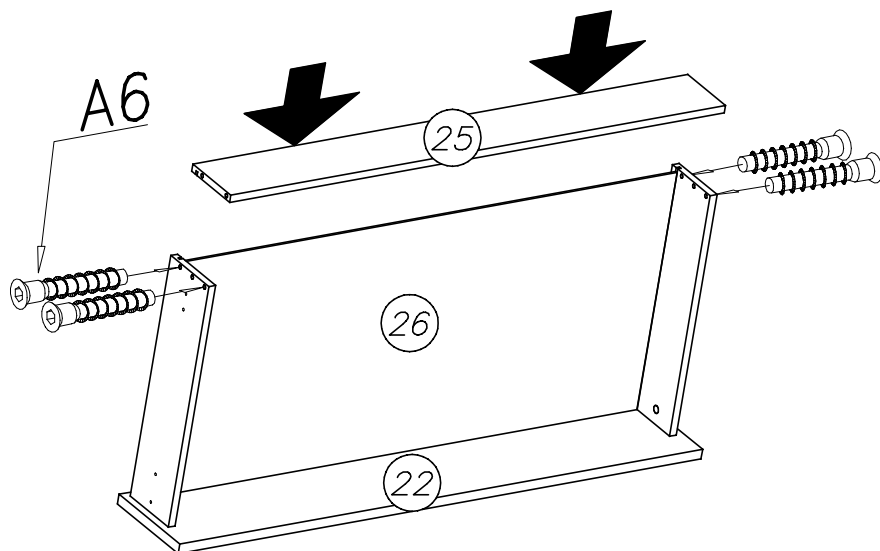


V

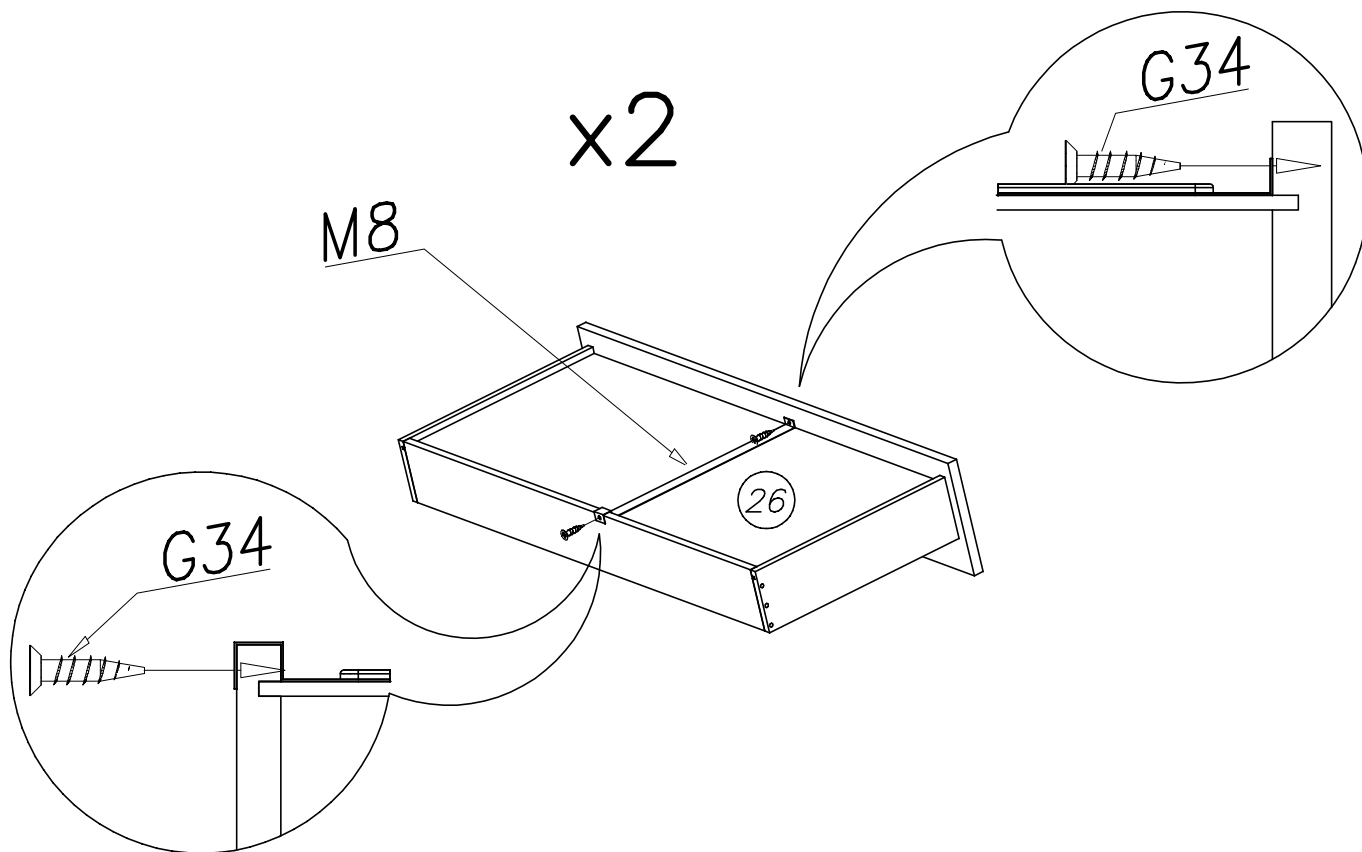


x2

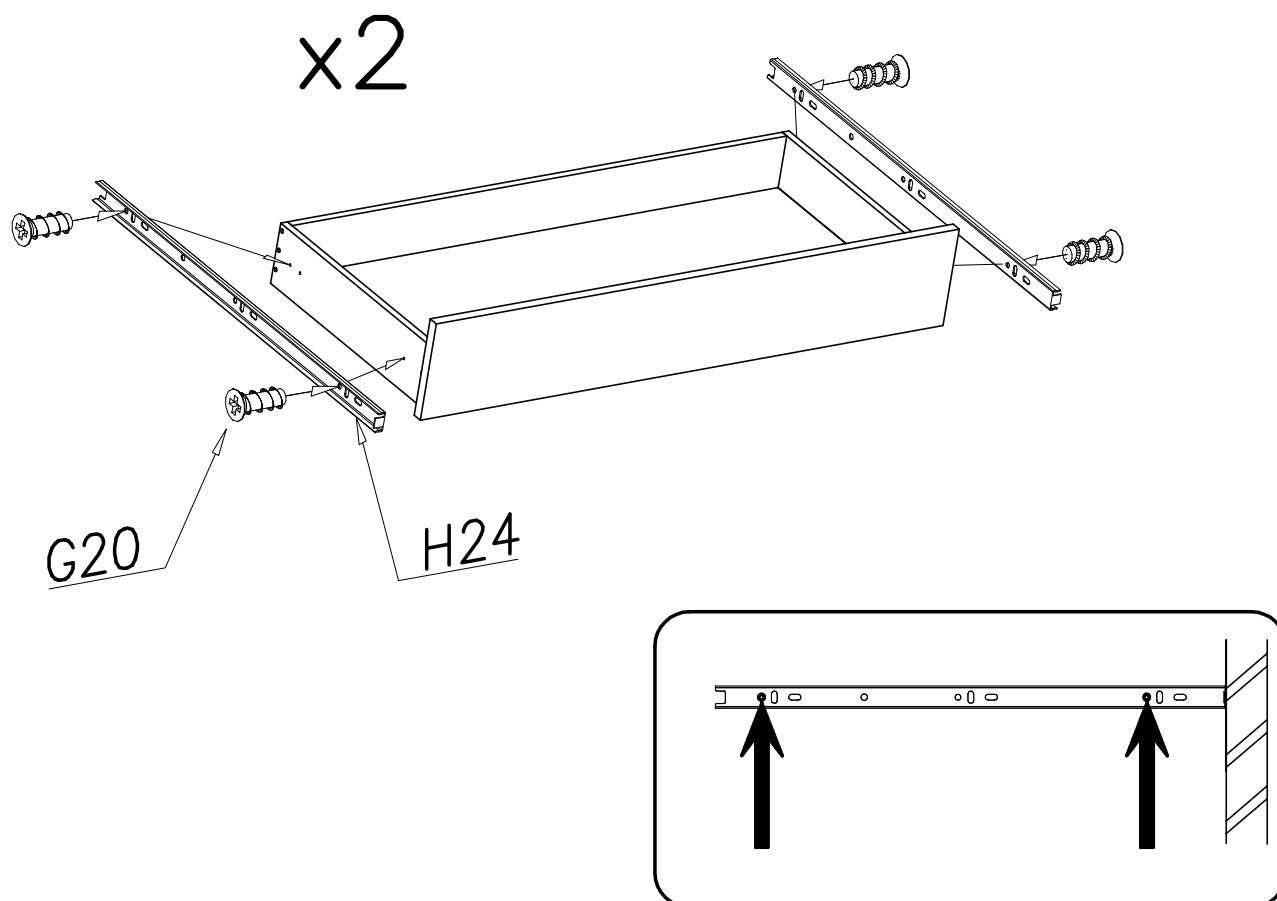
x2



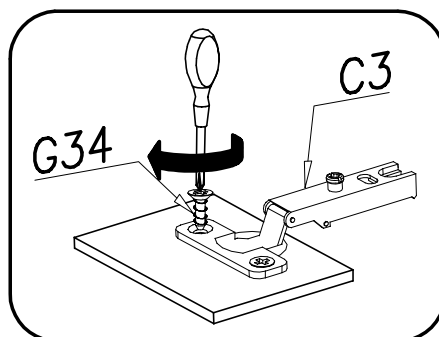
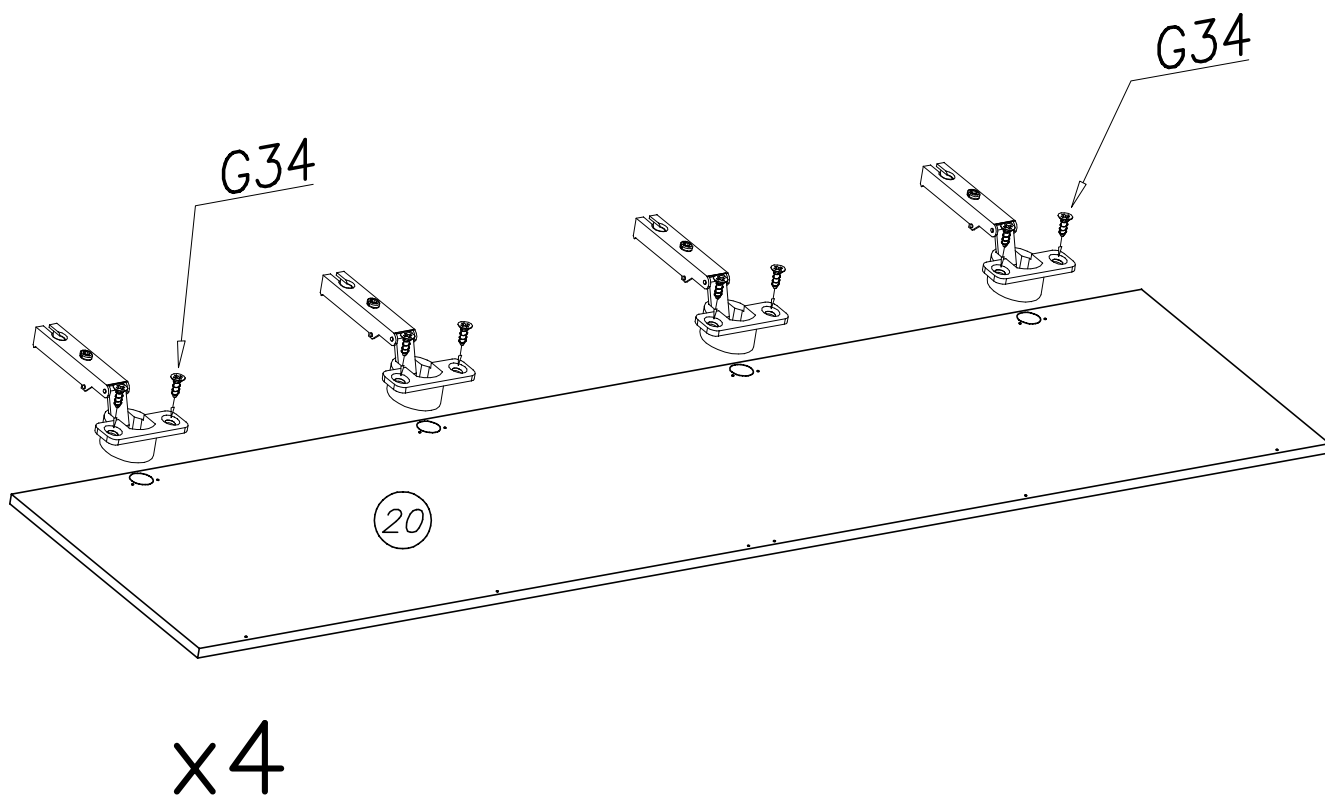
VI



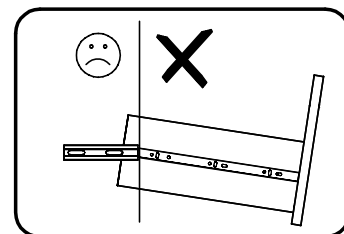
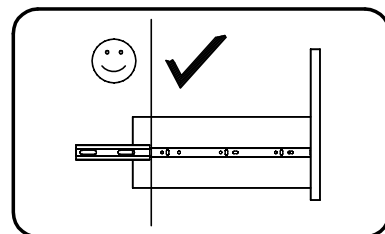
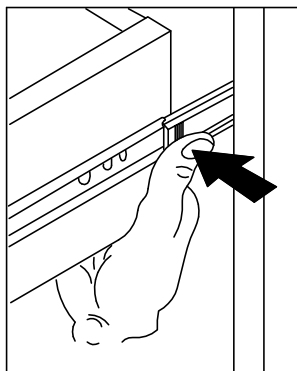
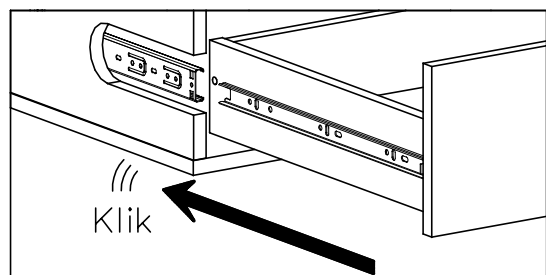
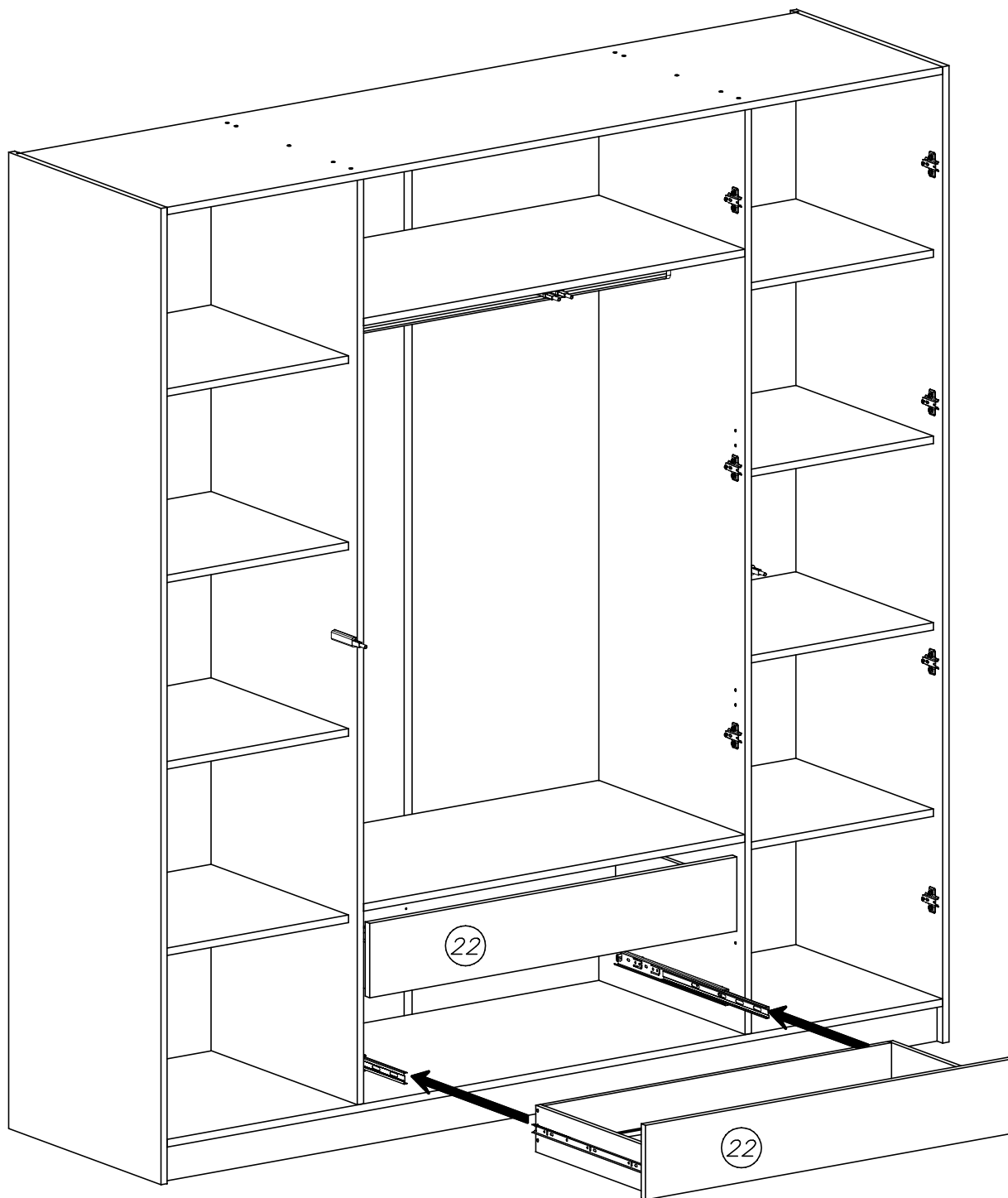
VII



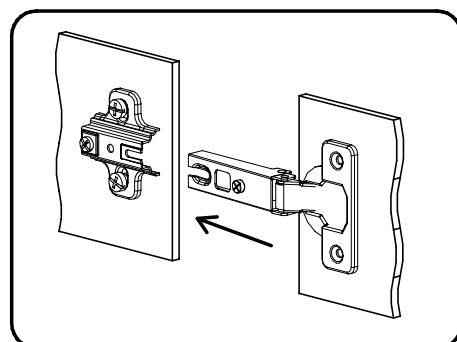
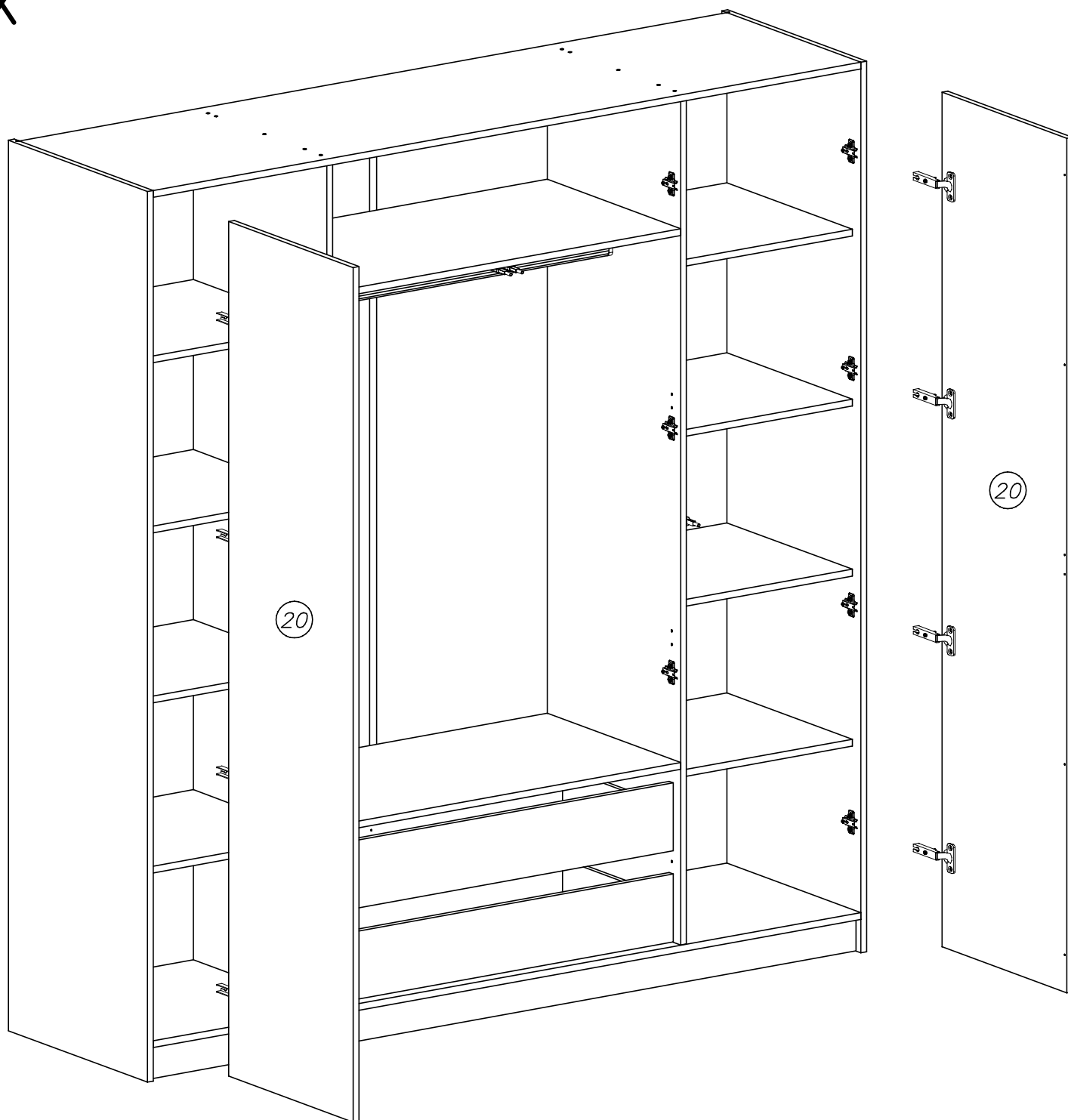
VIII



IX



X



X

