

Haier

SAFETY INFORMATION	2--2
INSTALLATION	3--3
OPERATION	3--3
CONSERVATION	4--4
FREEZING	5--5
DEFROSTING	5--6
MAINTENANCE AND CLEANING	6--6
ENERGY SAVINGS	6--6
AVOIDING NOISES	6--6
REVERSIBILITY OF THE DOOR	6--6
PRODUCT DIMENSION AND BUILT-IN COMPARTMENT..	7--7
INSTALLATION OF THE APPLIANCE IN THE COLUMN....	8--8
OF THE APPLIANCE DOORS	9--9
PRECAUTIONS FOR THE CORRECT OPERATION	9--9
SUSPENDING USE OF THE APPLIANCE	9--9
TROUBLESHOOTING	10--10

Thank you for purchasing this product.

Before using your refrigerator, please carefully read this instruction manual in order to maximize its performance. Store all documentation for subsequent use or for other owners. This product is intended solely for household use or similar applications such as:

- the kitchen area for personnel in shops, offices and other working environments
- on farms, by clientele of hotels, motels and other environments of a residential type
- at bed and breakfasts (B & B)
- for catering services and similar applications not for retail sale.

This appliance must be used only for purposes of storage of food, any other use is considered dangerous and the manufacturer will not be responsible for any omissions. Also, it is recommended that you take note of the warranty conditions.

SAFETY INFORMATION

The refrigerator contains a refrigerant gas (R600a: isobutane) and insulating gas (cyclopentane), with high compatibility with the environment, that are, however, inflammable.

We recommend that you follow the following regulations so as to avoid situations dangerous to you:

- Before performing any operation, unplug the power cord from the power socket.
- The refrigeration system positioned behind and inside the refrigerator contains refrigerant. Therefore, avoid damaging the tubes.
- If in the refrigeration system a leak is noted, do not touch the wall outlet and do not use open flames. Open the window and let air into the room. Then call a service centre to ask for repair.
- Do not scrape with a knife or sharp object to remove frost or ice that occurs. With these, the refrigerant circuit can be damaged, the spill from which can cause a fire or damage your eyes.
- Do not install the appliance in humid, oily or dusty places, nor expose it to direct sunlight and to water.
- Do not install the appliance near heaters or inflammable materials.
- Do not use extension cords or adapters.
- Do not excessively pull or fold the power cord or touch the plug with wet hands.
- Do not damage the plug and/or the power cord; this could cause electrical shocks or fires.
- It is recommended to keep the plug clean, any excessive dust residues on the plug can be the cause fire.
- Do not use mechanical devices or other equipment to hasten the defrosting process.
- Absolutely avoid the use of open flame or electrical equipment, such as heaters, steam cleaners, candles, oil lamps and the like in order to speed up the defrosting phase.
- Do not use or store inflammable sprays, such as spray paint, near the refrigerator. It could cause an explosion or fire.
- Do not use electrical appliances inside the food storage compartments, unless they are of the type recommended by the manufacturer.
- Do not place or store inflammable and highly volatile materials such as ether, petrol, LPG, propane gas, aerosol spray cans, adhesives, pure alcohol, etc. These materials may cause an explosion.
- Do not store medicine or research materials in the refrigerator. When the material that requires a strict control of storage temperatures is to be stored, it is possible that it will deteriorate or an uncontrolled reaction may occur that can cause risks.
- Maintain the ventilation openings in the appliance enclosure or in the built-in structure, free of obstruction.
- Do not place objects and/or containers filled with water on the top of the appliance.
- Do not perform repairs on this refrigerator. All interventions must be performed solely by qualified personnel.
- This appliance can be used by children aged from 8 years and above and by persons with reduced physical, sensory or mental capabilities or with a lack of experience and knowledge, provided that they have been given adequate supervision or instruction concerning how to use the appliance in a safe way and understand the hazards involved.

Children should not play with the appliance. Cleaning and user maintenance should not be made by children without supervision.

Turning the knob fully counterclockwise, you will hear a click which corresponds to the switch-off of the product.

When the appliance is installed, the electrical cord and the current socket must be easily reached.

The socket is compatible with the plug of the appliance. If not, request replacement of the plug by an authorized technician; do not use extension cords and/or multiple connectors.

Do not touch the internal parts or frozen food with moist or wet hands as it can cause burns.

Scrapping old appliance



By ensuring that this product is properly disposed of, you will help prevent potential negative consequences for the environment and human health, which could otherwise arise due to inappropriate waste handling of this product on reaching the end of its working life. With proper disposal of the appliance, it is possible to recover valuable raw materials!

This appliance is marked as conforming to the European Directive 2012/19/EU on Waste of Electrical and Electronic Equipment (WEEE). The symbol on the product indicates that this appliance may not be treated as normal household waste; it must, instead, be delivered over to the nearest collection point for the recycling of electrical and electronic equipment.

Disposal must be effectuated in accordance with the environmental regulations in force for waste disposal.

For more detailed information about treatment, recovery and recycling of this product, contact the competent public office (Department of Ecology and Environment), your home household waste disposal service, or the shop where you purchased the product.

Cut and dispose of the power cord with the plug.

Up until appropriate disposal, do not damage the tubing because they contain the refrigerant gas.

For the disposal of packing materials, follow local regulations.

WEEE contains both polluting substances (which can cause negative consequences for the environment) and basic components (which can be re-used). It is important to have WEEE subjected to specific treatments, in order to remove and dispose properly all pollutants, and recover and recycle all materials.

Individuals can play an important role in ensuring that WEEE does not become an environmental issue; it is essential to follow some basic rules:

-WEEE should not be treated as household waste.

-WEEE should be handed over to the relevant collection points managed by the municipality or by registered companies. In many countries, for large WEEE, home collection could be present.

- when you buy a new appliance, the old one may be returned to the retailer who has to collect it free of charge on a one-to-one basis, as long as the equipment is of equivalent type and has the same functions as the supplied equipment.

Conformity

CE This equipment, in the parts intended to come into contact with food products, is in conformity with the requirements of EC Regulation No. CE 1935/2004. Apparatus conforms with European Directive 2004/1 08/EC, 2006/95EC and successive amendments.

INSTALLATION

WARNINGS:

- Do not install the appliance in a damp or wet location as this could compromise the insulation and result in leakage.
- Furthermore, on the exterior of the same, condensate could accumulate
- Do not place the appliance in locations outside or near sources of heat or exposed to direct sunlight.

The appliance operates properly within the range of environmental temperatures indicated:

+10 +32°C for the climatic class SN

+16 +32°C for the climatic class N

+16 +38°C for the climatic class ST

+16 +43°C for the climatic class T

(See the nameplate of the product)

- Do not place containers with liquids on top of the appliance.
- Wait at least 3 hours after final placement before placing the appliance in operation.

Electrical connection

After shipping, place the appliance vertically and wait at least 2 - 3 hours before connecting it to the electrical system. Before inserting the plug into the electrical socket, make sure that:

- The socket is earthed and in compliance with the law.
- The socket can withstand the maximum power load of the appliance, as indicated on the nameplate of the refrigerator.
- The power supply voltage is within the amounts indicated on the nameplate of the refrigerator.
- The cord must not be folded or compressed.
- The cord must be checked regularly and replaced solely by authorized technicians.
- The manufacturer declines any liability whenever these safety measures are not respected.

Appliance start-up

Remove all wrapping/packaging present inside the appliance and clean with water and baking soda or neutral soap.

After the installation, wait 2 - 3 hours to allow time for the refrigerator/freezer to stabilize at normal working temperature, before placing fresh or frozen foods inside.

If the power cord becomes disconnected, wait at least five minutes before restarting the refrigerator/ freezer. At this point, the appliance is ready for use.

OPERATION







Put food into the Appliance

After working for a period of time, the refrigerator has been sufficiently cooled; at this time, you can put into food and start to use the appliance.

Operation instructions



Fig.1

1. When the appliance is connected with power supply first time or reconnected after unplugging, the refrigerator will work at temperatures settings: 5°C for fridge, 2°C for chiller; If you want to adjust the temperature or functions manually, press  button 3 seconds to unlock, and if no operations after 30 seconds, the control panel will be locked again.
2. Temperature adjustment for fridge compartment: Users can adjust the temperature between "2, 3,4,5,6,7,8 and fast cooling"
When the control panel is unlocked, press  to choose fridge compartment (upper left corner indicator lights up)
Press  to choose the required temperature;
If "fast cooling" is chosen (the water drop indicator at right side of display lights up), fridge compartment will work at 2°C continuously for 24 hours, and fast cooling will be stopped after 24 hours and then fridge compartment works as the previous temperature setting.
3. Temperature adjustment for chiller compartment: Users can adjust the temperature between "0,1,2,3,4,5".
When the control panel is unlocked, press  to choose chiller compartment (lower left corner indicator lights up).
Press  to choose the required temperature.
4. Turning on/off: Press  button for 3 seconds to turn on/off the appliance.

CONSERVATION

• To maintain the best flavour, nourishment and freshness of foods, it is advisable to store them in the refrigerator compartment as shown in Fig. 4 below, making sure to wrap them in aluminium or plastic sheets or in appropriate covered containers to avoid cross-contamination.

Refrigerator zone

Fruit / Vegetables

• To decrease fruit and vegetable moisture losses they must be wrapped in plastic materials such as, for example, films or bags and then inserted in the fruit/vegetable zone. In this way rapid deterioration is avoided.

FRIDGE ZONE

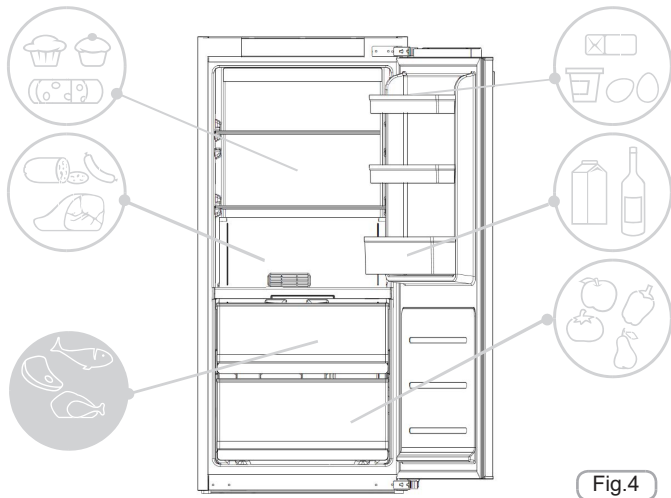


Fig.4

Indicator of the temperature in the coldest zone (not all models)

Some models are equipped with an indicator of the temperature in the refrigerator compartment in the coldest zone, for you to be able to control the average temperature.

This symbol indicates the coldest zone of the refrigerator (Fig. 5).

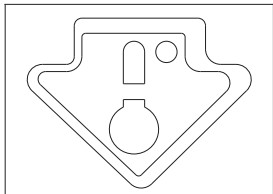


Fig. 5

Check that on the indicator of the temperature, the word OK is clearly shown (Fig. 6). If the word does not appear, this means that the temperature is too high: adjust the temperature to a cooler setting and wait for about 10 hours.

Recheck the indicator: if necessary, proceed with a new adjustment.

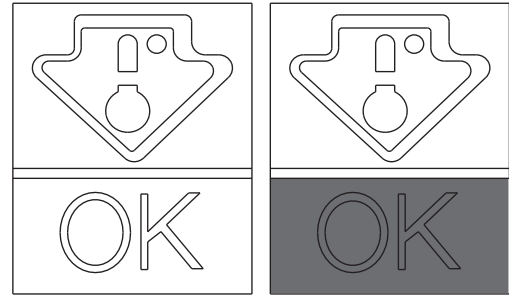


Fig. 6

NOTE:

If large quantities of food are inserted or the refrigerator door frequently opened, it is normal for the indicator fails to show OK. Wait at least 10 h before adjusting the thermostat to a higher setting.

Freezer zone

Use the table below for the compartments * ** **

Freezing process can only occur in the compartments * ** **

2 - 3 MONTHS			
4 - 6 MONTHS			
6 - 8 MONTHS			
10 - 12 MONTHS			

Practical recommendations

Place food on the shelves in a homogeneous manner to allow air to circulate properly and to cool it.

- Avoid contact between the food and the far end walls of the refrigerator compartment.
- Do not introduce hot foods as they can cause deterioration of existing ones and increase energy consumption.
- Remove the wrappings of foods before inserting them.
- Do not put in dishes or other containers unless previously washed.
- Do not obstruct the cold air ventilator openings with food.
- Do not cover the glass shelf of the vegetable bin to allow for proper air circulation.
- Do not store bottles in the freezer compartment as they can burst when frozen.
- In the case of prolonged power outage, keep the doors closed so that foods remain cold as long as possible.
- The installation of the appliance in a hot and humid location, with frequent door openings and storing large amounts of vegetables can cause the formation of condensate and affect the performance of the unit itself.
- To prevent excessive energy consumption, the frequent or prolonged opening of the doors is not recommended.

FREEZING (Not all models)

- Foods must be fresh.
- Freeze small amounts of food at a time in order to freeze quickly. Never exceed the maximum amount indicated on the rating label.
- During freezing, do not open the freezer door.
- Food must be sealed, airtight.
- Separate food to be frozen by those already frozen.
- Label bags or containers to keep an inventory of frozen foods.
- Once defrosted, do not ever refreeze foods and consume them promptly.

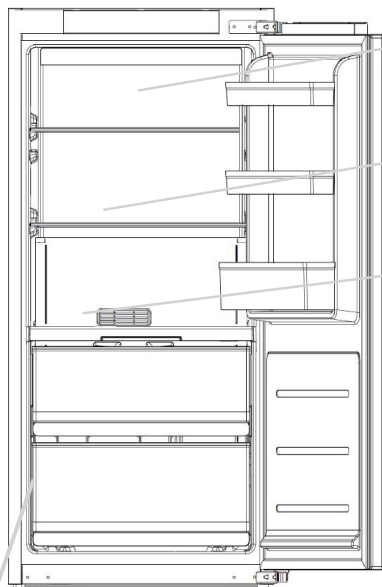
DEFROSTING

Defrosting the refrigerator compartment

During normal functioning, the refrigerator is automatically defrosted. There is no need to dry the drops of water present on the rear wall or to eliminate the frost (depending on functioning). The water is conveyed to the rear part through the drain hole found there and the heat of the compressor causes it to evaporate.

- Keep the drainage pipe clean in the refrigerator compartment to keep it free of water.

(Figure 8)



Defrosting of the fridge compartment occurs automatically in this product.

A small amount of frost or drops of water on the back of the fridge compartment when the fridge is working normally.

Make sure foods do not touch the back or sides of the fridge compartment.

N.B. Here you will find your appliance rating plate: it includes all the data to be transmitted to the Customer Service should a fault arise.

Important: if your ambient temperature is high, the appliance may operate continuously, thus building up excessive frost on the inner wall of the fridge. In this case, adjusting the thermostat to a warmer setting (6-8 °C).

The most energy-saving configuration requires drawers, food box and shelves to be positioned in the product, please refer to the above pictures

Defrosting the freezer compartment

(static products without NO-FROST technology)

When the layer of frost present in the freezer compartment exceeds 3mm, it is recommended to proceed with the defrosting as it increases energy consumption.

- 1) Turning off the appliance by pressing Power button for 3 seconds
- 2) Disconnect the power cord.
- 3) Remove the frozen food and temporarily place them in a cool place.
- 4) Leave the freezer door open to speed defrosting.
- 5) Collect the water on the bottom of the product.
- 6) Dry the freezer.
- 7) Reconnect the power cord and set the desired values.
- 8) Wait a moment and reintroduce the frozen foods.

WARNING:

Absolutely avoid the use of open flames or electrical appliances, such as heaters, steam cleaners, candles, oil lamps and the like to accelerate the defrosting phase.

Do not scrape with a knife or sharp object to remove frost or ice present. These can damage the refrigerant circuit, the leakage of which can cause a fire or damage your eyes.

Defrosting the freezer compartment

(NO-FROST products)

Defrosting is automatic.

MAINTENANCE AND CLEANING

Lighting

LED lighting

The product is equipped with LED lights, please contact the Technical Assistance Service in case of replacement. Compared to traditional light bulbs, the LEDs last longer and are environmentally friendly.

Cleaning

NOTICE:

- Before each operation, remove the refrigerator plug from the power socket to prevent electric shocks.
- Do not pour water directly on the outside or inside of the refrigerator itself. This could lead to oxidation and damaging of the electrical insulation.

IMPORTANT:

To prevent cracking of the inside surfaces and plastic parts, follow these suggestions:

- Wipe away any food oils adhered to plastic components.
- The internal parts, gaskets and external parts can be cleaned with a cloth with warm water and baking soda or a neutral soap. Do not use solvents, ammonia, bleach or abrasives.
- Remove the accessories, for example, the shelves, from the refrigerator and from the door. Wash in hot soapy water. Rinse and thoroughly dry.
- The back of the appliance tends to accumulate dust which can be eliminated with the use of a vacuum cleaner, after having switched off and disconnected the appliance from the electrical outlet. This provides greater energy efficiency.

ENERGY SAVINGS

For better energy savings, we suggest:

- Installing the appliance away from heat sources and not exposed to direct sunlight and in a well ventilated room.
- Avoid putting hot food into the refrigerator to avoid increasing the internal temperature and therefore causing continuous functioning of the compressor.
- Do not excessively stuff foods so as to ensure proper air circulation.
- Defrost the appliance in case there is ice (see DEFROSTING) to facilitate the transfer of cold.
- In case of absence of electrical energy, it is advisable to keep the refrigerator door closed.
- Open or keep the doors of the appliance open as little as possible
- Avoid adjusting the thermostat to temperatures too cold.
- Remove dust present on the rear of the appliance (see CLEANING).

AVOIDING NOISES

During its operation, the refrigerator emits some absolutely normal noises, such as:

- **HUMMING**, the compressor is running.
 - **RUMBLINGS, RUSTLINGS** and **HISSING**, the refrigerant is flowing through the tubes.
 - **TICKS** and **CLICKS**, the operation shutdown of the compressor.
- Small measures to reduce the vibration noises:
- **Containers touch each other:** Avoid contact between containers and glass recipients.
 - **Drawers, shelves, bins vibrate:** Check the proper installation of internal accessories.

NOTE:

The refrigerant gas produces noise even when the compressor is off; it is not a defect, it is normal.

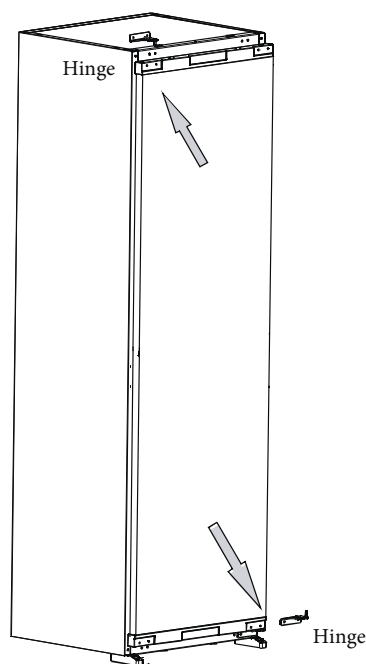
If you hear a clicking sound inside the appliance, it is normal as due to expansion of the various materials.

REVERSIBILITY OF THE DOOR

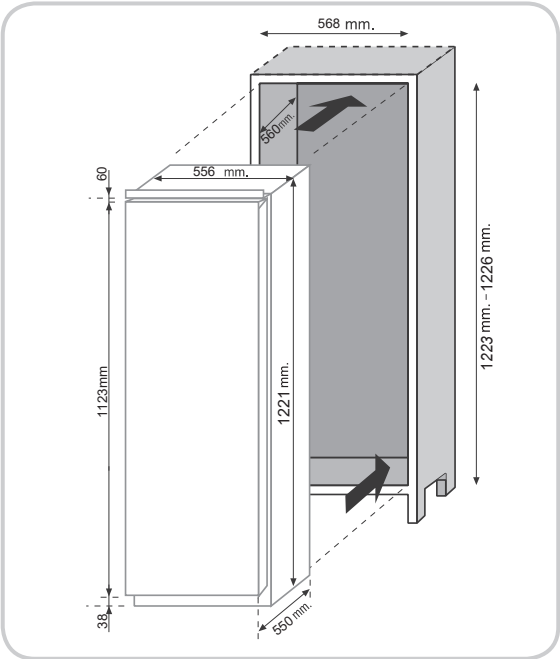
The doors of the appliance can be reversed so as to allow the opening to the right or left according to exigency.

NOTE:

- Inversion of the doors must be performed by qualified technical personnel.
- Inversion of the doors is not covered by the warranty.

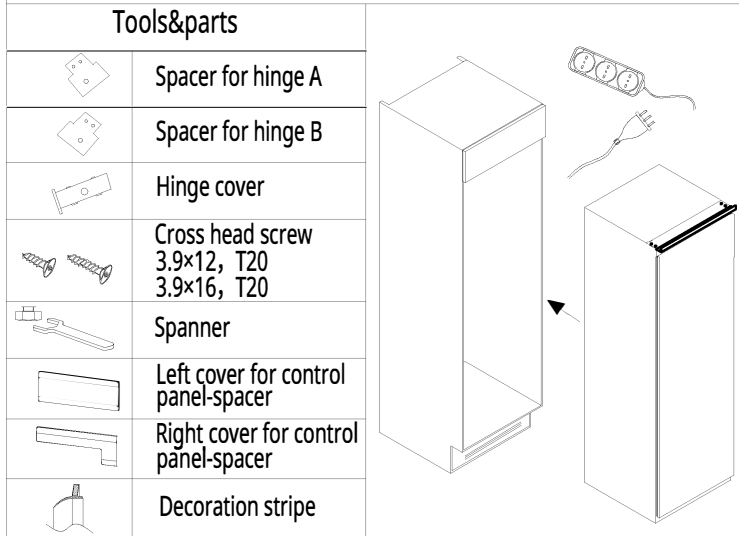


PRODUCT DIMENSIONS AND BUILT-IN COMPARTMENT

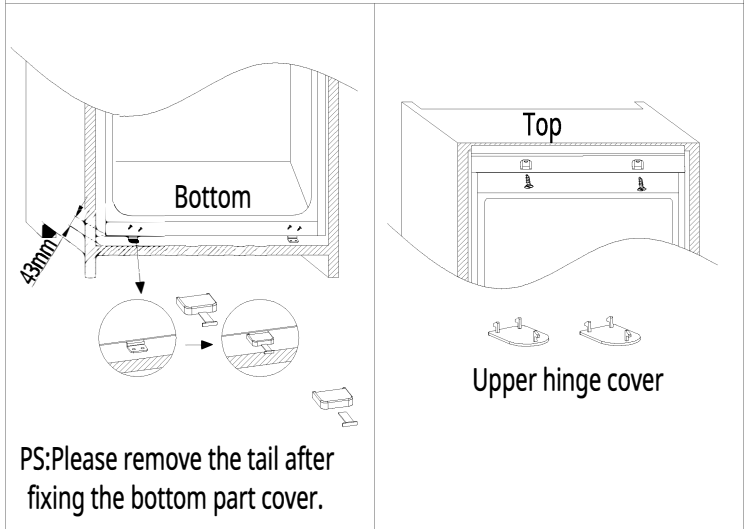


INSTALLATION OF THE APPLIANCE IN THE COLUMN

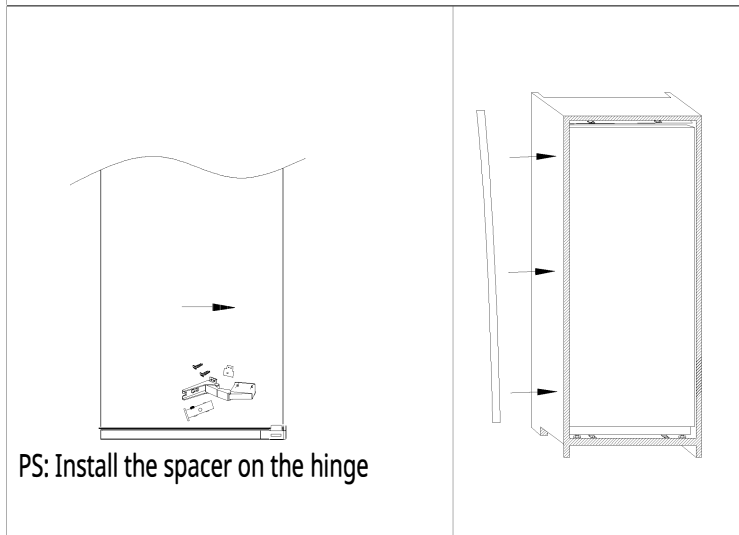
1. Push the appliance into the wooden furniture, the appliance should be better approach furniture left side.



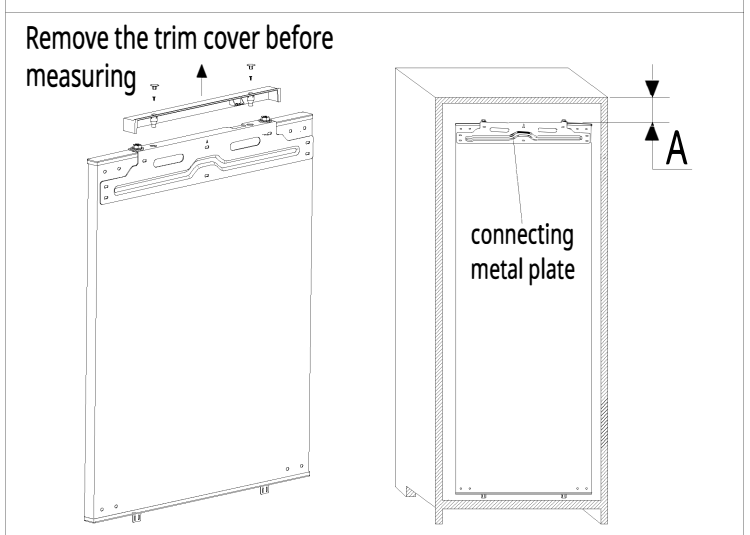
2. Adjust the position of appliance, screw product top and bottom part on the furniture



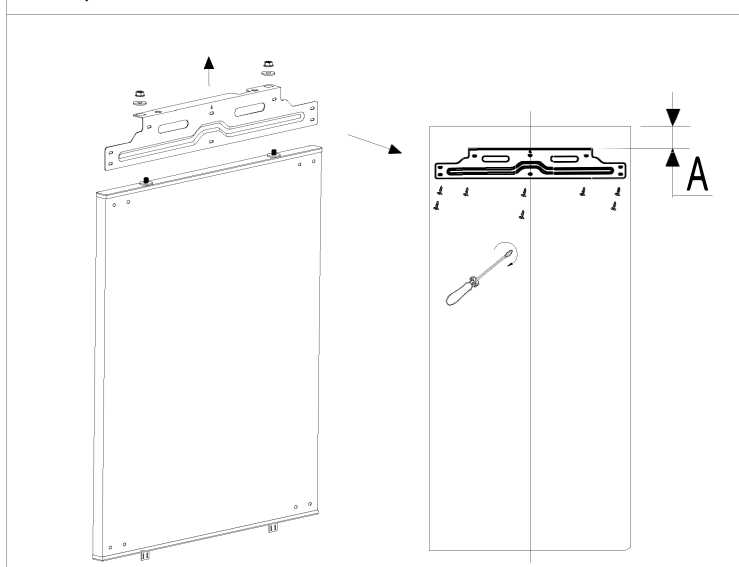
3. Fix the hinge on furniture by screw, attached the decoration stripe on the product left side.



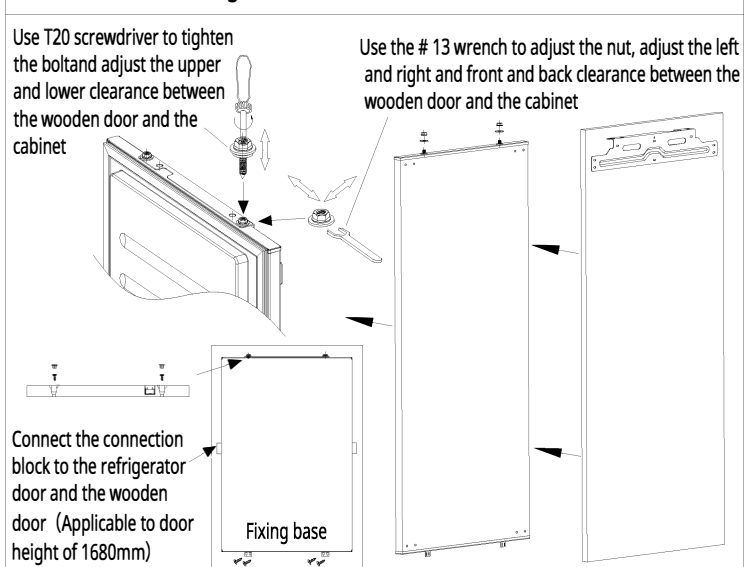
4. Measure the dimension of A



5. Remove the connecting metal plate and install the connecting metal plate on the wooden door



6. Please follow the steps below to connect the wooden door and the refrigerator door



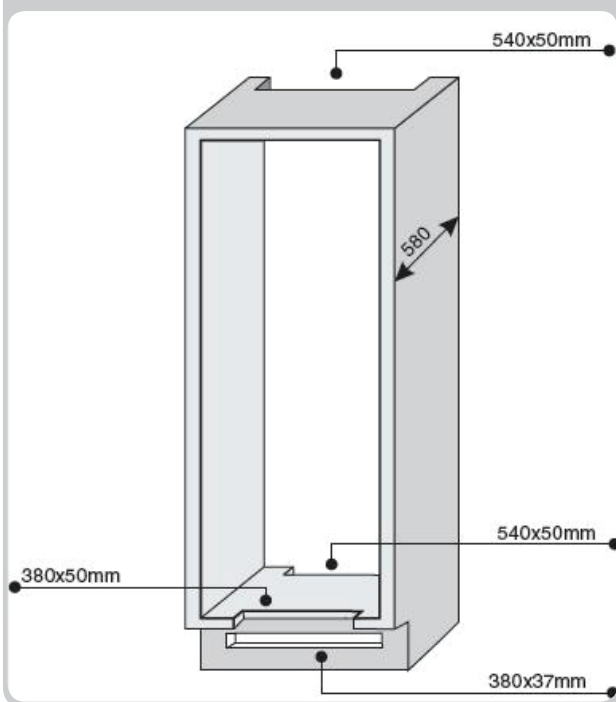
PRECAUTIONS FOR THE CORRECT OPERATION

Once the product has been embedded, place the rear part of the column in contact with the wall so as to prevent access to the compressor compartment.

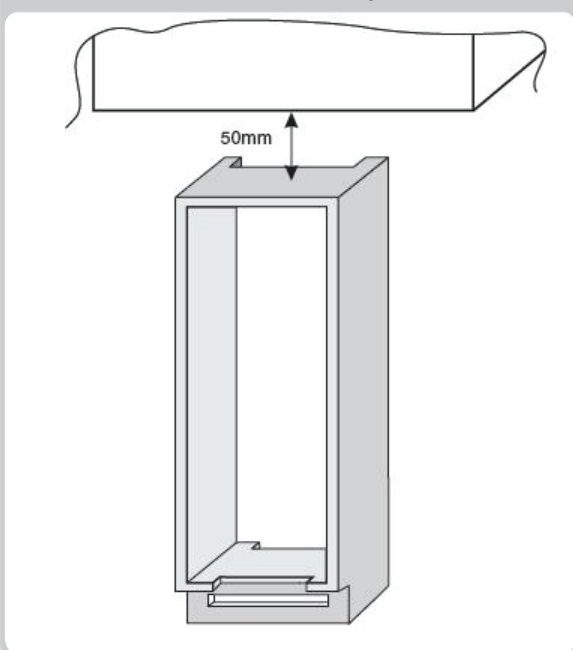
For the product to operate correctly it is essential to allow adequate air circulation so as to cool down the condenser located in the rear part of the appliance.

For this reason, the column must be equipped with a rear chimney, whose upper opening must not be blocked and with a front slot which will be covered with a ventilation grill.

Size of the unit cut outs.



Room to leave between the unit and ceiling.



SUSPENDING USE OF THE APPLIANCE

If the appliance is not to be used for a long time:

- 1) Turn the appliance OFF (see Operation).
- 2) Extract the plug or remove the safety device.
- 3) Clean the appliance
- 4) Leave the doors of the appliance open.

TROUBLESHOOTING

PROBLEM	CAUSE	REMEDY
The inside illumination lights does not turn on.	<ul style="list-style-type: none"> • Electricity absence. • Door switch is blocked. 	<ul style="list-style-type: none"> • The power cord is not properly plugged in. • Check whether the appliance is switched off. (see Temperature Adjustment). • Ensure that there is a current in the house. • Check that it is active.
The refrigerator and freezer do not sufficiently cool.	<ul style="list-style-type: none"> • The doors are not closed. • The doors are frequently opened • Erroneous setting of the temperature. • The refrigerator and freezer have been excessively filled. • Surrounding temperature is too low. • No electrical power. 	<ul style="list-style-type: none"> • Check that the door and gaskets close properly. • Avoid unnecessary opening of the doors for a period of time. • Check the temperature setting and, if it is possible, cool even more (see Temperature adjustment) • Wait for the stabilization of the temperature of the refrigerator or freezer. • Check that the ambient temperature is in accordance with what is indicated on the nameplate (see Installation). • The power cord is not properly plugged in. • Check whether the appliance is switched off (see Temperature adjustment) • Ensure that in the home there is current.
The food in the refrigerator freezes.	<ul style="list-style-type: none"> • Erroneous setting of the temperature. • Food in contact with the back wall. • The freezing of too much fresh food causes a lowering of the temperature of the refrigerator 	<ul style="list-style-type: none"> • Check the temperature setting (see Temperature Adjustment) and, if possible, decrease temperature setting. • Separate the food from the back wall of the refrigerator. • Do not exceed the maximum amount to be frozen (see Freezing).
The bottom of the refrigerator compartment is wet or droplets are present.	The drain tube could be clogged.	<ul style="list-style-type: none"> • Clean the drain tube with a stick or the like to allow the discharge of water.
Presence of drops or water on the back wall of the refrigerator.	• Normal operation of the refrigerator.	<ul style="list-style-type: none"> • It is not a defect (see Defrosting).
Presence of water in the vegetable drawer.	<ul style="list-style-type: none"> • Lack of air circulation. • Vegetables and fruits with too much moisture. 	<ul style="list-style-type: none"> • Verify that your glass shelf tray vegetables are not put foods that prevent air circulation. • Wrap the fruit and vegetable materials plastic such as, for example, films, bags or containers.
The motor runs continuously.	<ul style="list-style-type: none"> • The doors are not closed. • The doors are opened frequently. • Ambient temperature is very high. • Thickness of frost than 3mm. 	<ul style="list-style-type: none"> • Make sure the doors are closed and if the seals close properly. • Avoid unnecessary open ports for a certain period. • Verify that the ambient temperature is in accordance with the specifications on the nameplate (see Installation). • Set the display/thermostat a warmer temperature. • Defrost the unit (see Defrosting).
The frozen food is thawing.	<ul style="list-style-type: none"> • The ambient temperature range below climate class of the product. The compressor starts rarely • The freezer door is not closed. 	<ul style="list-style-type: none"> • Move the unit to a warmer or heat the room. • Make sure the door is closed and that the gasket is sealing properly.
WI-FI light flashes 3 sec on - 1 sec off.	<ul style="list-style-type: none"> • Router off. • Lacking connection. 	<ul style="list-style-type: none"> • Switch the router on. • Reset the product (see WI-FI)

IF YOU ARE NOT SOLVED THE PROBLEM, CONTACT THE SERVICE CENTER, PLEASE GIVE THE TYPE OF FAULT AND THE INFORMATION ON THE PLATE OF THIS APPARATUS TO INSIDE THE REFRIGERATOR COMPARTMENT:

- The model of equipment.
- The number of series.

SICHERHEITSINFORMATIONEN	12
INSTALLATION	12
BETRIEB	12
KONSERVIERUNG	12
EINFRIEREN	12
ABTAUEN	12
WARTUNG UND REINIGUNG	12
ENERGIE SPAREN	12
GERÄUSCHE REDUZIEREN	12
BEIDSEITIG MONTIERBARE TÜR	12
ABMESSUNGEN UND EINBAUÖFFNUNG	12
INSTALLATION DES GERÄTS IM KORPUS	12
HINWEISE FÜR DEN KORREKTEN BETRIEB	12
AUSSERBETRIEBNAHME DES GERÄTS	12
FEHLERBEHEBUNG	12

Vielen Dank für den Kauf dieses Produkts.

Bitte lesen Sie vor dem Gebrauch des Kühlschranks diese Anleitung sorgfältig, um das Gerät optimal zu nutzen. Bewahren Sie die gesamte Referenzdokumentation zum Nachschlagen oder für einen eventuellen späteren Besitzer auf. Dieses Gerät ist ausschließlich für den Hausgebrauch und vergleichbare Verwendung bestimmt, wie:

- Personalküchen in Geschäften, Büros und anderen Arbeitsumgebungen,
- in landwirtschaftlichen Betrieben, für die Nutzung durch Gäste von Hotels, Motels und ähnlichen Unterkünften,
- Bed & Breakfast (B&B),
- Catering-Dienste und ähnliche Zwecke im Einzelhandel.

Das Gerät darf ausschließlich für die Konservierung von Lebensmitteln verwendet werden. Jede andere Verwendung wird als gefährlich erachtet und der Hersteller weist im Fall der Nichtbeachtung jede Haftung zurück. Bitte lesen Sie auch die Garantiebestimmungen.

SICHERHEITSINFORMATIONEN

Die Kühltruhe enthält ein Kühlgas (R600a: Isobutan) und ein Schaumtreibmittel (Cyclopentane) zur Isolierung, die sehr umweltfreundlich, aber entflammbar sind.

Bitte halten Sie die folgenden Regeln ein, um Gefahren vorzubeugen:

- Vor jedem Eingriff am Gerät den Netzstecker ziehen.
 - Das Kühlsystem an der Rückseite und im Inneren des Geräts enthält ein Kältemittel. Es muss daher darauf geachtet werden, die Leitungen nicht zu beschädigen.
 - Wenn Sie am Kühlsystem ein Leck feststellen, nicht die Netzsteckdose berühren und unbedingt offenes Feuer vermeiden. Das Fenster öffnen und den Raum gut lüften. Wenden Sie sich an den Kundenservice, um das Gerät reparieren zu lassen.
 - Wenn sich an den Innenwänden eine Eisschicht bildet, diese nicht mit einem Messer oder sonstigen scharfen Gegenständen abkratzen. Dies kann den Kühlkreislauf beschädigen und das austretende Kältemittel kann sich entzünden oder die Augen schädigen.
 - Das Gerät nicht in Umgebungen mit feuchter, ölig oder staubiger Atmosphäre installieren sowie vor direkter Sonneneinstrahlung und Wasser schützen.
 - Das Gerät nicht in der Nähe von Hitzequellen oder entflammaren Materialien installieren.
 - Zum Anschluss keine Verlängerungskabel und Adapter verwenden.
 - Das Netzkabel nicht stark spannen oder biegen und den Netzstecker nicht mit nassen Händen berühren.
 - Den Netzstecker und/oder das Netzkabel nicht beschädigen - Stromschlag- und Brandgefahr!
 - Den Netzstecker sauber halten. Starke Staubablagerungen erhöhen die Brandgefahr.
 - Keine mechanischen oder sonstigen Hilfsmittel verwenden, um den Abtauvorgang zu beschleunigen.
 - Auf keinen Fall offene Flammen oder elektrische Geräte wie Heizelemente oder Dampfstrahlreiniger sowie keine Kerzen, Öllampen oder Ähnliches verwenden, um den Abtauvorgang zu beschleunigen.
 - In der Nähe des Kühlschranks keine brennbaren Sprays wie z.B. Farbspraydosen aufbewahren.
- Es besteht Explosions- oder Brandgefahr.

- Im Inneren des Kühlschranks keine elektrischen Geräte benutzen, es sei denn, der Typ wurde vom Hersteller empfohlen.
 - Keine brennbaren und hoch flüchtigen Substanzen wie Äther, Benzin, Flüssiggas, Propan, Sprühdosen, Klebstoffe, reinen Alkohol usw. in der Kühltruhe aufbewahren. Diese Stoffe können eine Explosion verursachen.
 - Keine Medikamente oder Materialien für wissenschaftliche Forschungen aufbewahren. Wird Material gelagert, das eine strenge Kontrolle der Lagertemperatur erfordert, so kann sich die Qualität verschlechtern oder es kann eine unvorhergesehene Reaktion auftreten, die zu Risiken führen kann.
 - Die Lüftungsgitter am Gehäuse des Geräts und innerhalb der Einbauöffnung nicht verstopfen oder verschließen.
 - Keine Gegenstände oder mit Wasser gefüllten Behälter auf das Gerät stellen.
 - Nicht versuchen, den Kühlschrank selbst zu reparieren. Technische Eingriffe dürfen ausschließlich von qualifiziertem Fachpersonal durchgeführt werden.
 - Dieses Gerät kann von Kindern ab 8 Jahren und Personen mit eingeschränkten körperlichen, sensorischen oder geistigen Fähigkeiten oder mangelnder Erfahrung und mangelndem Wissen benutzt werden, wenn diese in die sichere Bedienung des Geräts eingewiesen wurden oder beaufsichtigt werden und wenn ihnen die damit verbundenen Gefahren bekannt sind.
- Dieses Gerät ist kein Spielzeug für Kinder. Reinigung und Pflege dürfen nicht von Kindern ohne Aufsicht erfolgen.

Das Stellrad gegen den Uhrzeigersinn bis zum Anschlag drehen. Das Klick-Geräusch zeigt das Ausschalten des Geräts an.

Das Gerät muss so installiert werden, dass das Netzkabel und die Netzsteckdose leicht erreichbar sind. Die Netzsteckdose muss mit dem Gerätestecker kompatibel sein. Ist dies nicht der Fall, lassen Sie den Stecker durch einen autorisierten Techniker austauschen; verwenden Sie keine Verlängerungskabel und/oder Mehrfachstecker.

Komponenten im Innenraum und eingefrorene Lebensmittel nicht mit nassen Händen berühren – Gefahr von Kälteverbrennungen!

Entsorgung des Altgeräts



Bitte stellen Sie sicher, dass das Produkt nach seiner Außerbetriebnahme ordnungsgemäß entsorgt wird. Damit tragen Sie dazu bei, gesundheits- und umweltschädigende Auswirkungen zu verhindern, die eine nicht korrekte Entsorgung am Ende der Nutzungsdauer zur Folge haben könnte. Außerdem können bei korrekter Entsorgung wertvolle Rohstoffe recycelt werden! Dieses Elektrohaushaltsgerät ist entsprechend der EU-Richtlinie 2012/19/CE über Elektro- und Elektronik-Altgeräte (WEEE) gekennzeichnet. Das Symbol auf dem Produkt bedeutet, dass dieses Gerät nicht im normalen Hausmüll entsorgt werden darf, sondern den jeweiligen kommunalen Rücknahmesystemen für Elektro- und Elektronik-Altgeräte übergeben werden muss.

Die Entsorgung muss im Einklang mit den geltenden Umweltrichtlinien für die Abfallentsorgung erfolgen.

Für nähere Informationen über Entsorgung und Recycling dieses Produktes wenden Sie sich bitte an Ihre kommunalen Einrichtungen (Umweltamt) oder an die Abfallentsorgungsgesellschaft Ihrer Stadt bzw. an Ihren Händler.

Trennen und Entsorgen des Netzkabels und Netzsteckers.

Um eine ordnungsgemäße Entsorgung zu gewährleisten, dürfen die Leitungen des Geräts nicht beschädigt werden, da sie das Kühlgas enthalten.

Für die Entsorgung der Verpackung halten Sie sich bitte an die jeweils geltenden Lokalvorschriften.

Elektro- und Elektronik-Altgeräte enthalten umweltschädigende Substanzen, aber auch Grundkomponenten, die wiederverwendet werden können.

Daher ist es wichtig, Elektro- und Elektronik-Altgeräte spezifisch zu entsorgen, um alle schädlichen Substanzen zu entfernen und wiederverwendbare Teile zu recyceln.

Verbraucher leisten einen wichtigen Beitrag zur Gewährleistung, dass Elektro- und Elektronik-Altgeräte nicht zu einem Umweltproblem werden. Halten Sie sich daher bitte an die folgenden Grundregeln:

- Elektro- und Elektronik-Altgeräte dürfen nicht mit dem normalen Hausmüll entsorgt werden.
- Elektro- und Elektronik-Altgeräte müssen bei zugelassenen Sammelstellen abgegeben werden, die von der Stadtverwaltung oder anderen zuständigen Stellen verwaltet werden. In vielen Ländern wird für die Entsorgung großer Elektro- und Elektronik-Altgeräte ein Abholservice angeboten.
- Beim Kauf eines neuen Geräts wird das alte möglicherweise vom Händler zurückgenommen, der es kostenfrei entsorgt, sofern das neue Gerät von einem ähnlichen Typ ist und die gleiche Funktion erfüllt wie das Altgerät.

Konformität

CE Die Komponenten dieses Geräts, die dazu bestimmt sind, mit Lebensmitteln in Berührung zu kommen, sind mit den Vorgaben der Verordnung (EG) Nr. 1935/2004 konform. Das Gerät ist mit den EU-Richtlinien 2004/108/EG, 2006/95/EG und allen nachfolgenden Änderungen konform.

INSTALLATION

WARNUNGEN:

- Das Gerät nicht an nebligen oder feuchten Orten aufstellen, da dies die Dämmung beeinträchtigt und zu Lecks führen kann.
- Außerdem könnte sich an der Außenfläche des Geräts Kondenswasser ansammeln.
- Das Gerät nicht im Freien oder in der Nähe von Hitzequellen aufstellen und keiner direkten Sonneneinstrahlung aussetzen.

Das Gerät funktioniert innerhalb des angegebenen Umgebungstemperaturbereichs ordnungsgemäß:

+10 +32°C bei Klimaklasse SN

+16 +32°C bei Klimaklasse N

+16 +38°C bei Klimaklasse ST

+16 +43°C bei Klimaklasse T

(siehe Typenschild des Produkts)

- Keine mit Wasser gefüllten Behälter auf das Gerät stellen.
- Nach der endgültigen Installation mindestens 3 Stunden warten, bevor das Gerät in Betrieb genommen wird.

Elektrischer Anschluss

Nach der Lieferung das Gerät hochkant aufstellen und mindestens 2 - 3 Stunden warten, bevor es an das Stromnetz angeschlossen wird. Bevor Sie den Stecker in die Steckdose stecken, vergewissern Sie sich, dass:

- Die Netzsteckdose muss nach den geltenden gesetzlichen Vorschriften geerdet sein.
- Die Netzsteckdose muss für die auf dem Typenschild angegebene Höchstspannung des Geräts geeignet sein.
- Die Netzspannung muss in dem auf dem Typenschild des Kühlschranks angegebenen Bereich liegen.
- Das Netzkabel darf nicht geknickt oder gequetscht werden.
- Das Netzkabel ist regelmäßig zu kontrollieren und darf nur von zugelassenem Servicepersonal ausgewechselt werden.
- Der Hersteller weist jede Haftung zurück, wenn die genannten Sicherheitsregeln nicht beachtet werden.

Vor der Inbetriebnahme

Die im Inneren des Kühlschranks befindliche Verpackung entfernen und den Innenraum mit Wasser und Natron oder einem neutralen Reinigungsmittel reinigen.

Nach der Installation den Kühlschrank nicht sofort befüllen, sondern 2 bis 3 Stunden warten, damit die Kühl- und Gefrierfächer ihre normale Betriebstemperatur erreichen.

Nach einer Trennung der Spannungsversorgung mindestens fünf Minuten warten, bevor die Kühl-/Gefrierkombination neu gestartet wird. Anschließend ist das Gerät betriebsbereit.

BETRIEB

Lebensmittel im Gerät lagern

Nach einer gewissen Betriebszeit ist die gewünschte Kühltemperatur erreicht und die Lebensmittel können eingelagert werden.

Bedienungsanleitung



Abb. 1

1. Wenn das Gerät zum ersten Mal an das Stromnetz angeschlossen oder nach dem Trennen vom Stromnetz wieder angeschlossen wird, arbeitet der Kühlschrank mit den eingestellten Temperaturen: 5 C für den Kühlschrank, 2 C für den Gefrierschrank; Wenn Sie die Temperatur oder die Funktionen manuell einstellen möchten, drücken Sie die Taste 3 Sekunden lang, um die Sperre aufzuheben; wenn nach 30 Sekunden keine Bedienung erfolgt, wird das Bedienfeld wieder gesperrt.
2. Temperatureinstellung für Kühlschrank: Der Benutzer kann die Temperatur zwischen "2, 3, 4, 5, 6, 7, 8 und Fast Cooling" einstellen. Wenn das Bedienfeld entriegelt ist, drücken Sie , um das Kühlfach auszuwählen (Anzeige in der oberen linken Ecke leuchtet auf). Drücken Sie , um die gewünschte Temperatur auszuwählen. Wenn „Fast Cooling“ ausgewählt wird (die Wassertropfenanzeige auf der rechten Seite des Displays leuchtet auf), arbeitet das Kühlfach 24 Stunden lang ununterbrochen mit einer Temperatur von 2°C. Nach 24 Stunden wird die Schnellkühlung beendet, und der Kühlschrank arbeitet dann mit der vorherigen Temperatureinstellung weiter.
3. Temperatureinstellung für Gefrierschrank: Der Benutzer kann die Temperatur zwischen „0, 1, 2, 3, 4, 5“ einstellen. Wenn das Bedienfeld entriegelt ist, drücken Sie , um den Gefrierschrank auszuwählen (die Anzeige in der linken unteren Ecke leuchtet auf). Drücken Sie , um die gewünschte Temperatur auszuwählen.
4. Ein- und Ausschalten: Drücken Sie 3 Sekunden lang die Taste , um das Gerät ein- und auszuschalten.

KONSERVIERUNG

• Damit Aroma, Gehalt und Frische der Speisen bestmöglich erhalten bleiben, sollten sie wie in Abbildung 4 ersichtlich im Kühlraum untergebracht werden. Die Speisen sollten in Alu- oder Kunststoffolie oder in entsprechenden Behältnissen mit Deckel verpackt sein, um Kreuzkontaminationen zu vermeiden.

Kühlraum

Obst und Gemüse

• Um bei Obst und Gemüse die Abgabe von Feuchtigkeit zu reduzieren, diese Produkte in Kunststoffbehältern, Frischhaltefolie oder Plastiktüten im Obst- und Gemüsefach verwahren. Auf diese Weise bleiben sie länger haltbar.

KÜHLSCHRANK

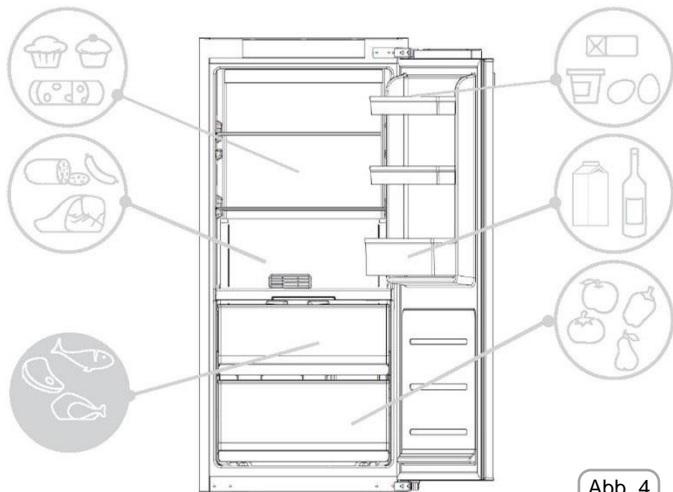


Abb. 4

Temperaturanzeige im kältesten Bereich

(nicht bei allen Modellen vorhanden)

Bei einigen Modellen ist der kälteste Bereich des Kühlraums mit einer Temperaturanzeige ausgestattet, anhand der Sie die Durchschnittstemperatur überwachen können. Dieses Symbol zeigt den kältesten Bereich des Kühlschranks an (Abb. 5).

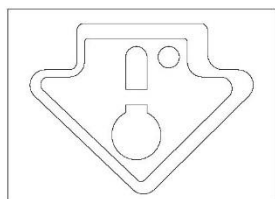


Abb. 4

Die Temperaturanzeige prüfen, die Anzeige OK muss deutlich erkennbar sein (Abb.6). Wenn OK nicht angezeigt wird, bedeutet dies, dass die Temperatur zu hoch ist: Stellen Sie die Temperatur auf einen kühleren Wert ein und warten Sie etwa 10 Stunden. Die Anzeige erneut prüfen und bei Bedarf die Temperatur erneut einstellen.

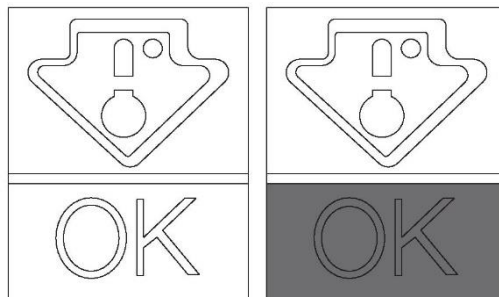


Abb. 6

HINWEIS:

Wenn der Kühlschrank zu voll ist oder die Tür häufig geöffnet wird, ist es normal, dass die Anzeige nicht OK anzeigt. Warten Sie mindestens 10 Stunden, bevor Sie den Thermostat auf einen höheren Wert einstellen.

Gefrierfach

Die nachstehende Tabelle veranschaulicht, wie lange verschiedene Produkte im Gefrierfach aufbewahrt werden können * ** ***

Das Einfrieren von Lebensmitteln ist nur in diesen Fächern möglich * ** ***

2 – 3 MONATE			
4 – 6 MONATE			
6 – 8 MONATE			
10 - 12 MONATE			

Praktische Hinweise

Die Lebensmittel gleichmäßig auf den Ablagen verteilen, damit eine angemessene Belüftung gewährleistet wird.

- Vermeiden Sie die Berührung der Speisen mit der Rückwand des Kühlraums.
- Stellen Sie keine warmen Speisen in den Kühlschrank, da dies die Haltbarkeit der anderen Lebensmittel beeinträchtigen könnte und den Stromverbrauch erhöht.
- Überflüssige Verpackungen von Produkten entfernen, bevor sie im Kühlschrank verwahrt werden.
- Geschirr und Behälter nicht ungespült in den Kühlschrank stellen.
- Keine Lebensmittel vor das Kaltluftgebläse stellen.
- Die Glasablage über dem Gemüsefach nicht komplett bedecken, um eine korrekte Luftzirkulation zu gewährleisten.
- Keine Flaschen in das Gefrierfach legen, da sie platzen können, wenn sie gefrieren.
- Bei längerem Stromausfall die Tür geschlossen halten, damit die Lebensmittel so lange wie möglich kühl gehalten werden.
- Die Installation des Geräts in einer zu warmen oder zu feuchten Umgebung, häufiges Öffnen der Tür und das Verwahren großer Mengen von Gemüse kann zur Bildung von Kondenswasser führen und beeinträchtigt die Kühlleistung des Geräts.
- Das häufige und zu lange Öffnen der Türen führt zu einem höheren Stromverbrauch.

EINFRIEREN (Nicht alle Modelle)

- Die Lebensmittel müssen frisch sein.
- Lebensmittel in kleinen Portionen einfrieren, um den Vorgang zu beschleunigen. Niemals die auf dem Typenschild angegebene, zulässige Höchstmenge überschreiten.
- Während des Einfrierens die Tür des Gefrierfachs nicht öffnen.
- Die Lebensmittel müssen luftdicht verschlossen aufbewahrt werden.
- Einzufrierende Lebensmittel von bereits eingefrorenen trennen.
- Gefriertüten und Behälter etikettieren und eine Bestandsliste der eingefrorenen Lebensmittel führen.
- Nach dem Auftauen Lebensmittel nicht erneut einfrieren und sofort verzehren.

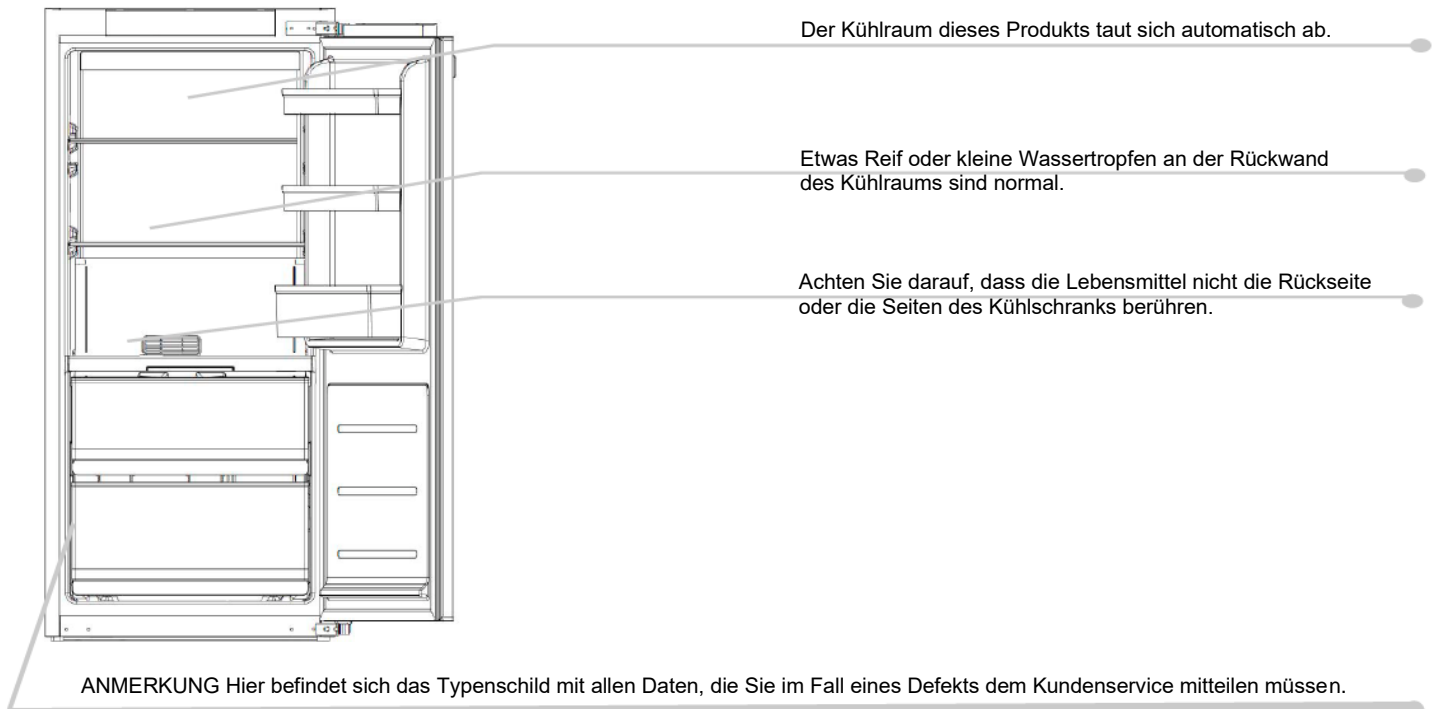
ABTAUEN

Abtauen des Kühlschranks

Während des Normalbetriebs wird der Kühlschrank automatisch abgetaut. Die Wassertropfen und der Reif an der Rückwand (je nach Funktionsweise) müssen nicht entfernt werden. Das Wasser wird durch die Abflussöffnung an der Rückwand abgeleitet und wird durch die Wärme des Kompressors verdampft.

- Den Abfluss im Kühlschrank frei halten, damit sich kein Wasser ansammelt.

(Abbildung 8)



Wichtig: Wenn die Umgebungstemperatur hoch ist, arbeitet das Gerät im Dauerbetrieb. Dies kann zu einer stärkeren Reifbildung an den Innenwänden des Kühlraums führen. Stellen Sie in diesem Fall den Thermostat auf eine wärmere Einstellung (6-8°C).

Die energiesparendste Konfiguration erfordert den Einsatz von Schubladen, Lebensmittelboxen und Regalböden im Produkt, siehe die obigen Bilder.

Abtauen des Gefrierfachs

(Modelle mit statischer Kühlung ohne NO-FROST-Technologie)

Wenn die Eisschicht an den Innenwänden des Gefrierfachs dicker als 3 mm ist, sollte das Gefrierfach abgetaut werden, da andernfalls der Energieverbrauch steigt.

- 1) Gerät durch drei Sekunden langes Drücken der Power-Taste ausschalten.
- 2) Das Netzkabel herausziehen.
- 3) Eingefrorene Lebensmittel herausnehmen und vorübergehend an einem kühlen Ort lagern.
- 4) Die Gefrierschranktür offen lassen, um das Abtauen zu beschleunigen.
- 5) Das Wasser vom Boden des Gefrierfachs aufnehmen.
- 6) Das Gefrierfach abtrocknen.
- 7) Das Netzkabel wieder anschließen und die gewünschten Werte einstellen.
- 8) Einige Minuten warten und die gefrorenen Lebensmittel wieder hineinlegen.

WARNUNG:

Auf keinen Fall offene Flammen oder elektrische Geräte wie Heizelemente oder Dampfstrahlreiniger sowie keine Kerzen, Öllampen oder Ähnliches verwenden, um den Abtauvorgang zu beschleunigen. Wenn sich an den Innenwänden eine Eisschicht bildet, diese nicht mit einem Messer oder scharfen Gegenstand abkratzen. Diese können den Kühlkreislauf beschädigen, das austretende Kältemittel kann sich entzünden und reizt die Augen.

Abtauen des Gefrierfachs

(Modelle mit NO-FROST-Technologie)

Das Abtauen erfolgt automatisch.

WARTUNG UND REINIGUNG

Beleuchtung

LED-Beleuchtung

Das Produkt ist mit LED-Lampen ausgestattet. Wenden Sie sich an den technischen Kundendienst, wenn diese ausgetauscht werden müssen. Im Vergleich zu herkömmlichen Glühbirnen halten die LEDs länger und sind umweltfreundlicher.

Reinigung

HINWEIS:

- Vor jedem Eingriff den Netzstecker aus der Netzsteckdose ziehen, um die Stromschlaggefahr ausschließen zu können.
- Niemals Wasser direkt auf die Außen- oder Innenflächen des Kühlschranks gießen. Dies verursacht Oxidation und beschädigt die elektrische Isolation.

WICHTIG:

Um zu verhindern, dass sich an den Innenseiten und Kunststoffteilen Risse bilden, beachten Sie bitte folgende Hinweise:

- Ölrückstände von Lebensmitteln von den Kunststoffteilen stets abwischen.
- Zum Reinigen aller Teile der Innen- und Außenflächen sowie der Dichtungen ein Tuch mit warmem Wasser und Natron oder einem neutralen Reinigungsmittel verwenden. Keine Lösungsmittel, Ammoniak, Bleichmittel oder Scheuermittel verwenden.
- Zubehörteile wie z. B. die Ablagen und Einsätze aus dem Kühlraum und der Kühlschranktür herausnehmen und in heißem Seifenwasser reinigen. Abtropfen lassen und abtrocknen.
- Die Rückseite des Geräts zieht Staub an. Dieser kann mit einem Staubsauger entfernt werden, nachdem das Gerät ausgeschaltet und der Netzstecker abgezogen wurde. Ohne Staub ist eine höhere Energieeffizienz gewährleistet.

ENERGIE SPAREN

Tipps zum Energiesparen:

- Das Gerät entfernt von Hitzequellen, vor Sonneneinstrahlung geschützt und in einem gut belüfteten Raum aufstellen.
- Keine warmen Speisen in den Kühlschrank stellen. Dies erhöht die Innentemperatur und der Kompressor arbeitet im Dauerbetrieb.
- Das Gerät nicht übermäßig füllen, um eine korrekte Belüftung zu gewährleisten.
- Wenn sich eine Eisschicht bildet, das Gerät abtauen (siehe Abschnitt ABTAUEN), um die Kälteabgabe zu erleichtern.
- Bei Stromausfall die Tür möglichst geschlossen halten.
- Die Türen so selten wie möglich öffnen und nicht zu lange offen halten.
- Den Thermostat nicht auf eine übermäßig geringe Temperatur einstellen.
- Staubablagerungen von der Geräterückseite (siehe Abschnitt REINIGUNG) entfernen.

GERÄUSCHE REDUZIEREN

Während des Betriebs verursacht der Kühlschrank einige völlig normale Geräusche, zum Beispiel:

- **BRUMMEN**, der Kompressor ist in Funktion.
- **RUMPELN, RASCHELN und ZISCHEN**, das Kältemittel strömt durch die Rohre.
- **TICKEN und KLICKEN**, der Kompressor schaltet sich ab.

Kleine Maßnahmen zur Reduzierung der Vibrationsgeräusche:

- **Geräusche entstehen, wenn sich Behälter im Inneren berühren:** Vermeiden Sie, dass sich Behälter und Glasbehälter berühren.

- **Vibration von Fächern, Einsätzen und Ablagen:**

Prüfen, ob das Zubehör korrekt und fest eingesetzt ist.

HINWEIS:

Das Kältemittel generiert auch Geräusche, wenn der Kompressor ausgeschaltet ist. Dies ist kein Defekt, sondern normal.

Wenn Sie im Inneren des Geräts ein Klicken hören, ist dies ebenfalls normal und auf die Ausdehnung verschiedener Materialien zurückzuführen.

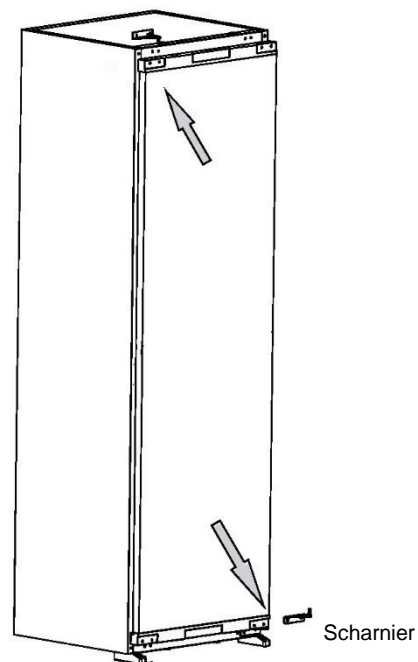
BEIDSEITIG MONTIERBARE TÜR

Die Gerätetüren können beidseitig montiert werden, um sie je nach Bedarf nach rechts oder links zu öffnen.

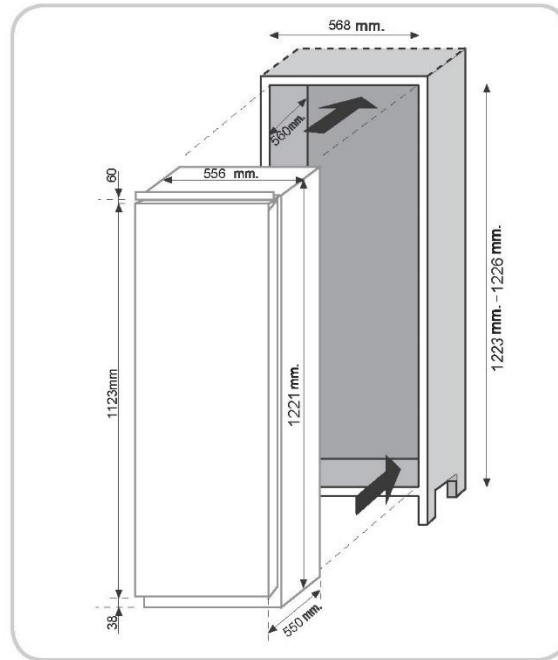
HINWEIS:

- Das Umkehren der Öffnungsrichtung darf nur von qualifiziertem technischen Personal vorgenommen werden.
- Das Umkehren der Öffnungsrichtung ist von der Garantie ausgeschlossen.

Scharnier



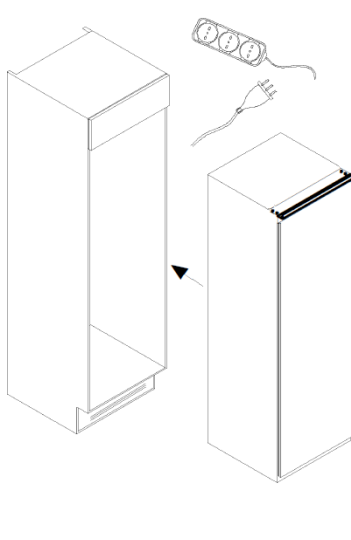
ABMESSUNGEN UND EINBAUÖFFNUNG



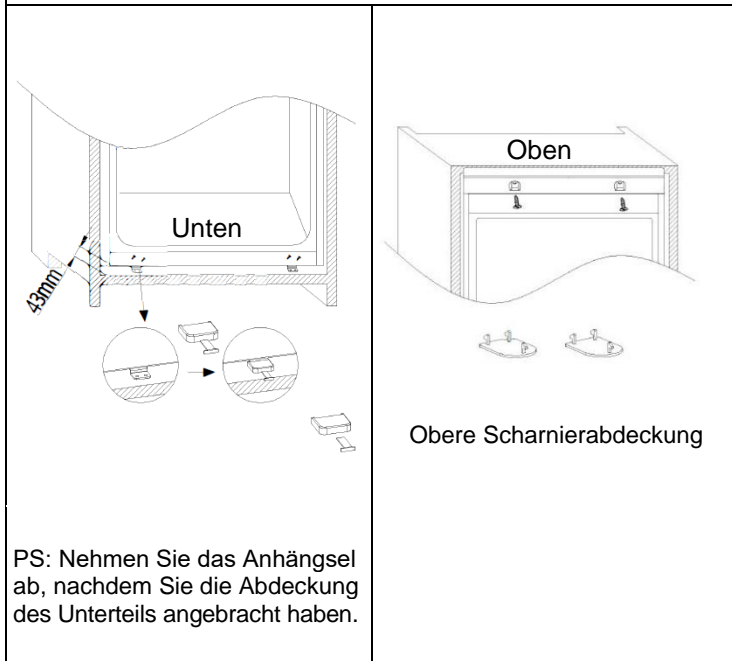
INSTALLATION DES GERÄTS IM KORPUS

1. Schieben Sie das Gerät in den Einbauschränk. Das Gerät sollte besser auf der linken Seite des Möbels stehen.

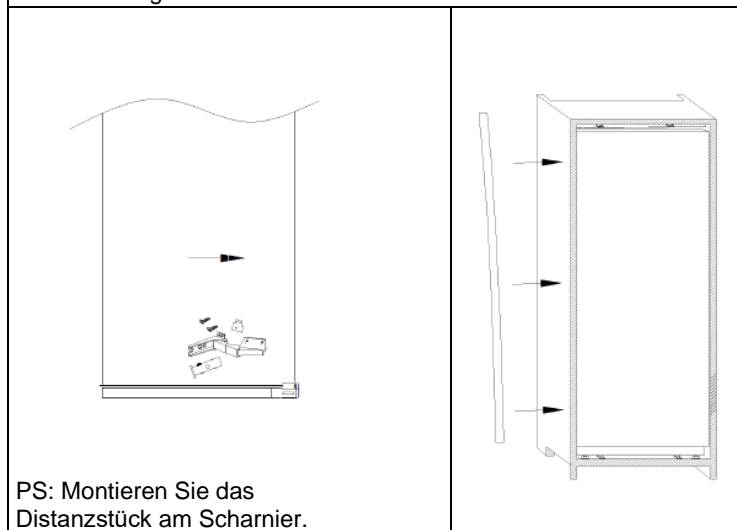
Werkzeug und Teile	
	Abstandshalter für Scharnier A
	Abstandshalter für Scharnier B
	Scharnierabdeckung
	Kreuzschlitzschraube 3,9x12, T20
	3,9x16, T20
	Schraubenschlüssel
	Linke Abdeckung für Bedienfeld/Abstandhalter
	Rechte Abdeckung für Bedienfeld/Abstandhalter
	Zierleiste



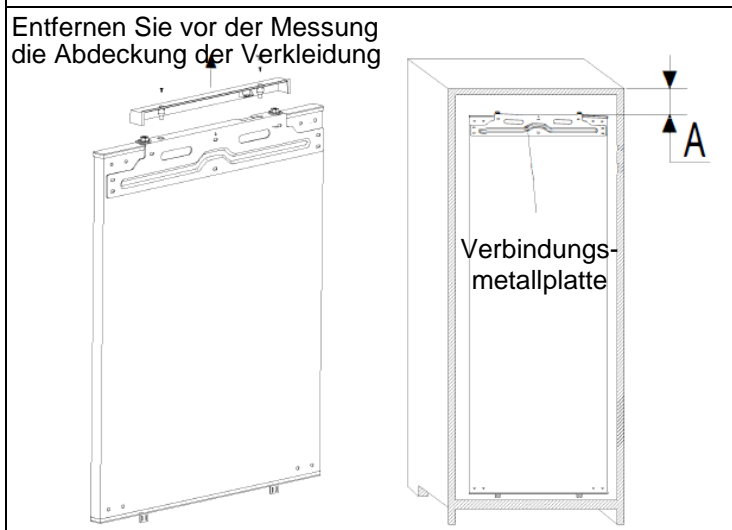
2. Positionieren Sie das Gerät und verschrauben Sie es oben und unten mit dem Einbauschränk.



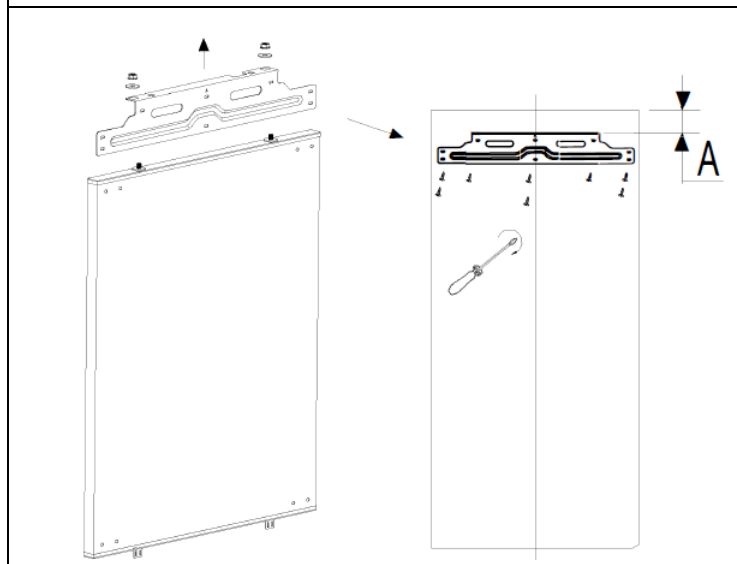
3. Befestigen Sie das Scharnier mit Schrauben am Einbauschränk und bringen Sie die Zierleiste links am Produkt an.



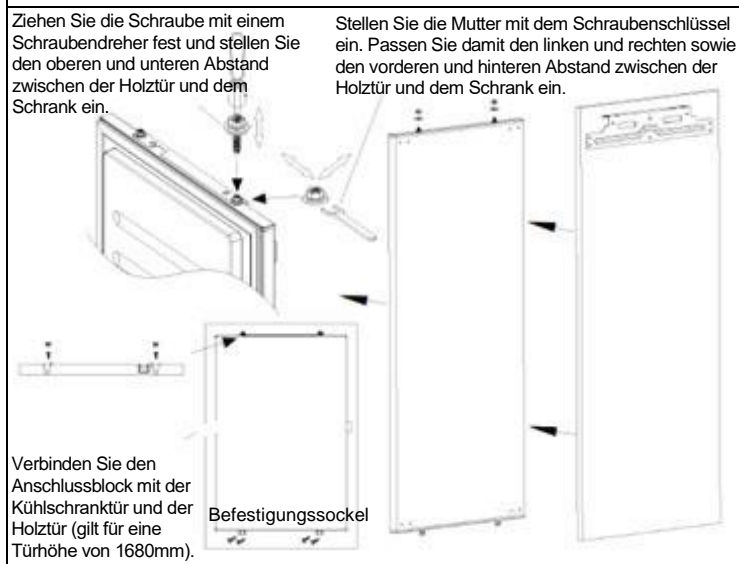
4. Messen Sie die Größe von A



5. Entfernen Sie das Verbindungsblech und bringen Sie es an der Tür des Einbauschranks an.



6. Verbinden Sie Einbauschränk und Kühlschrankschranktür wie folgt.



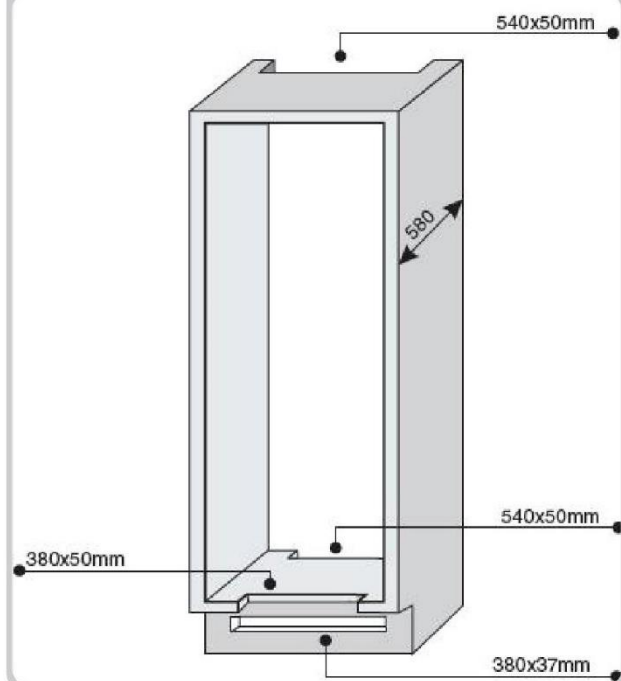
HINWEISE FÜR DEN KORREKTEN BETRIEB

Nachdem das Gerät eingebaut wurde, die Rückseite des Korpus an die Wand schieben, damit der Kompressor geschützt ist.

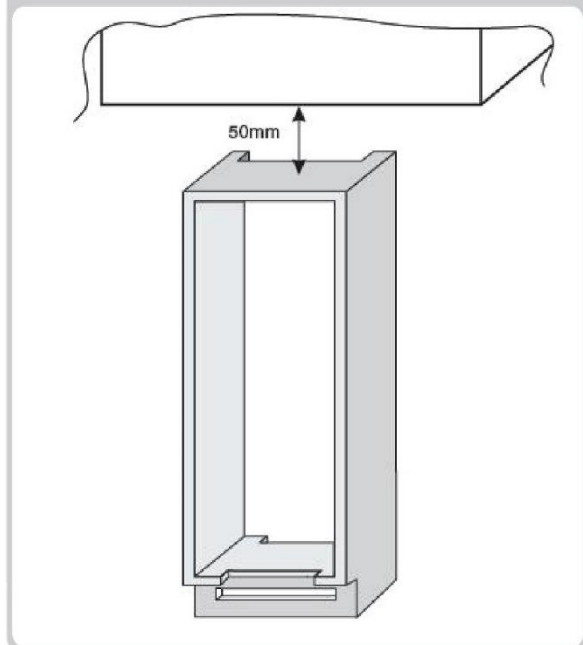
Für den korrekten Betrieb des Geräts muss eine ausreichende Luftzirkulation gewährleistet sein, damit der Kompressor an der Geräterückseite abkühlen kann.

Aus diesem Grund muss der Einbaukorpus an der Rückseite mit einer Aussparung an der Rückseite, deren Öffnung nach oben nicht verschlossen sein darf, sowie im unteren Bereich mit einer weiteren Öffnung versehen sein, die mit einem Lüftungsgitter bedeckt wird.

Maße der Schrankausschnitte.



Erforderlicher Freiraum zwischen Gerät und Raumdecke.



AUSSERBETRIEBNAHME DES GERÄTS

Wenn das Gerät für längere Zeit nicht benutzt wird:

- 1) Das Gerät ausschalten (siehe Abschnitt Betrieb).
- 2) Den Netzstecker aus der Steckdose ziehen oder die Sicherheitsvorrichtung entfernen.
- 3) Das Gerät reinigen.
- 4) Die Türen des Geräts offen lassen.

FEHLERBEHEBUNG

STÖRUNG

URSACHE

BEHEBUNG

Die Innenbeleuchtung schaltet sich nicht ein.	<ul style="list-style-type: none"> • Keine Spannung. • Türschalter ist blockiert. 	<ul style="list-style-type: none"> • Netzkabel nicht korrekt angeschlossen. • Prüfen, ob das Gerät ausgeschaltet ist (siehe Abschnitt Temperatureinstellung). • Prüfen, ob Netzspannung vorhanden ist. • Auf korrekte Funktion prüfen.
Kühl- und Gefrierschrank kühlen nicht ausreichend.	<ul style="list-style-type: none"> • Türen sind nicht geschlossen. • Türen werden zu oft geöffnet. • Falsche Temperatureinstellung. • Der Kühlschrank und das Gefrierfach sind übermäßig gefüllt. • Umgebungstemperatur zu niedrig. • Keine Spannung. 	<ul style="list-style-type: none"> • Sicherstellen, dass die Tür und ihre Dichtungen schließen. • Für eine Weile das unnötige Öffnen der Türen vermeiden. • Die Temperatureinstellung prüfen und, sofern möglich, stärker kühlen (siehe Abschnitt Temperatureinstellung). • Abwarten, bis sich die Temperatur im Kühl- oder Gefrierfach stabilisiert hat. • Prüfen, ob die Umgebungstemperatur den Angaben auf dem Typenschild entspricht (siehe Abschnitt Installation). • Netzkabel nicht korrekt angeschlossen. • Prüfen, ob das Gerät ausgeschaltet ist (siehe Abschnitt Temperatureinstellung). • Prüfen, ob Spannung vorhanden ist.
Die Lebensmittel im Kühlraum gefrieren.	<ul style="list-style-type: none"> • Falsche Temperatureinstellung. • Lebensmittel berühren die Rückwand. • Beim Einfrieren größerer Mengen frischer Lebensmittel sinkt die Temperatur im Kühlraum. 	<ul style="list-style-type: none"> • Die Temperatureinstellung prüfen (siehe Abschnitt Temperatureinstellung) und, sofern möglich, die Kühlleistung verringern. • Die Lebensmittel so positionieren, dass sie die Rückwand nicht berühren. • Die zulässige Höchstmenge von Gefriergut nicht überschreiten (siehe Abschnitt Einfrieren).
Der Boden des Kühlfachs ist nass oder es sind Tropfen vorhanden.	<ul style="list-style-type: none"> • Abflussleitung verstopft. 	<ul style="list-style-type: none"> • Reinigen Sie das Abflussloch mit einem Wattestäbchen oder ähnlichem, damit das Wasser abfließen kann.
Vorhandensein von Tropfen oder Wasser an der Rückwand des Kühlschranks. Wasser im Gemüsefach.	<ul style="list-style-type: none"> • Normaler Kühlschrankbetrieb. • Unzureichende Luftzirkulation. • Gemüse und Früchte mit zu viel Feuchtigkeit. 	<ul style="list-style-type: none"> • Kein Defekt (siehe Abschnitt Abtauen). • Sicherstellen, dass sich auf der Glasablage über dem Gemüsefach keine Produkte befinden, die die Luftzirkulation behindern. • Das Obst und Gemüse in Frischhaltefolie, Plastiktüten oder Behältern aufbewahren.
Der Motor läuft ununterbrochen.	<ul style="list-style-type: none"> • Türen sind nicht geschlossen. • Türen werden zu oft geöffnet. • Umgebungstemperatur sehr hoch. • Eisschicht im Inneren über 3 mm. 	<ul style="list-style-type: none"> • Sicherstellen, dass die Türen geschlossen sind und die Dichtungen korrekt abdichten. • Für eine Weile unnötiges Öffnen der Türen vermeiden. • Prüfen, ob die Umgebungstemperatur den Angaben auf dem Typenschild entspricht (siehe Abschnitt Installation). • Am Display / Thermostat eine höhere Temperatur einstellen. • Das Gerät abtauen (siehe Abschnitt Abtauen).
Eingefrorene Lebensmittel tauen auf.	<ul style="list-style-type: none"> • Umgebungstemperaturbereich unterhalb der Klimaklasse des Produkts. Der Kompressor arbeitet nur selten. • Gefrierschranktür nicht geschlossen. 	<ul style="list-style-type: none"> • Das Gerät in einen wärmeren Raum stellen oder den Raum heizen. • Sicherstellen, dass die Tür geschlossen ist und die Dichtung korrekt abdichtet.
WLAN Anzeige blinkt (3 s ein - 1 s aus).	<ul style="list-style-type: none"> • Router ausgeschaltet. • Verbindungsfehler. 	<ul style="list-style-type: none"> • Router einschalten. • Gerät zurücksetzen (siehe Abschnitt WLAN).

SOLLTE DAS PROBLEM WEITER BESTEHEN, WENDEN SIE SICH BITTE AN DEN KUNDENSERVICE, BESCHREIBEN SIE DIE STÖRUNG KURZ UND GEBEN SIE DIE DATEN DES TYPENSCHILDS IM INNEREN DES KÜHLRAUMS AN:

- Gerätemodell
- Seriennummer

INFORMATIONS SUR LA SÉCURITÉ.....	22
INSTALLATION.....	22
FONCTIONNEMENT	22
CONSERVATION	22
CONGÉLATION.....	22
DÉGIVRAGE.....	22
ENTRETIEN ET NETTOYAGE.....	22
ÉCONOMIES D'ÉNERGIE	22
ÉVITER LES BRUITS.....	22
OUVERTURE RÉVERSIBLE DE LA PORTE	22
DIMENSIONS DU PRODUIT ET COMPARTIMENT ENCASTRÉ	22
INSTALLATION DE L'APPAREIL DANS LA COLONNE ...	22
PRÉCAUTIONS RELATIVES AU FONCTIONNEMENT CORRECT	22
UTILISATION SUSPENDUE DE L'APPAREIL	22
DÉPANNAGE	22

Merci d'avoir acheté ce produit.

Avant d'utiliser votre réfrigérateur, veuillez lire attentivement ce mode d'emploi afin d'optimiser sa performance. Conserver l'ensemble de la documentation pour un usage ultérieur ou pour d'autres propriétaires. Ce produit est conçu uniquement pour une utilisation ménagère ou des applications similaires comme :

- les coins-cuisine du personnel dans des magasins, bureaux et autres environnements de travail
- dans les exploitations agricoles, pour la clientèle des hôtels, motels et autres environnements de type résidentiel
- dans les hébergements Bed and Breakfast (B & B)
- pour les services de restauration et des applications similaires non destinées à une vente au détail.

Cet appareil doit être utilisé uniquement à des fins de conservation d'aliments, toute autre utilisation est considérée comme dangereuse et le fabricant ne sera pas responsable de toute omission. De plus, il est recommandé de prendre note des conditions de garantie.

INFORMATIONS SUR LA SÉCURITÉ

Ce réfrigérateur contient un gaz réfrigérant (R600a : isobutane) et un gaz isolant (cyclopentane), qui présentent une compatibilité élevée avec l'environnement mais des propriétés inflammables. Nous vous recommandons de suivre les réglementations suivantes afin d'éviter toutes situations dangereuses pour vous :

- Avant de procéder à tout fonctionnement, débrancher le cordon électrique de la prise électrique.
- Le système de réfrigération positionné derrière et à l'intérieur du réfrigérateur contient du réfrigérant. Par conséquent, éviter d'endommager les tuyaux.
- Si une fuite est détectée dans le système de réfrigération, ne pas toucher la sortie murale et ne pas utiliser de flammes ouvertes. Ouvrir la fenêtre et aérer la pièce. Ensuite appeler un service après-ventes pour demander une réparation.
- Ne pas gratter avec un couteau ou un objet tranchant pour retirer le givre ou la glace apparus. Ceux-ci pourraient causer des dégâts sur le circuit réfrigérant, toute projection en résultat peut provoquer un incendie ou endommager vos yeux.
- Ne pas installer l'appareil dans des endroits humides, huileux ou poussiéreux, ne pas l'exposer à la lumière directe du soleil et à l'eau.
- Ne pas installer l'appareil à proximité de radiateurs ou de matériaux inflammables.
- Ne pas utiliser de rallonges ni d'adaptateurs.
- Ne pas tirer ou plier de manière excessive le cordon d'alimentation ou ne pas toucher la fiche avec les mains mouillées.
- N'endommagez pas la fiche et/ou le cordon d'alimentation ; cela pourrait provoquer des chocs électriques ou des incendies.
- Il est recommandé de garder la fiche dans un état propre, tout résidu de poussière présente en excès sur la fiche peut être la cause d'un incendie.
- Ne pas utiliser de dispositifs mécaniques ou d'autre équipement pour accélérer le processus de dégivrage.
- Éviter impérativement l'utilisation de flamme nue ou d'un équipement électrique, comme des radiateurs, des nettoyeurs à vapeur, des bougies, des lampes à pétrole ou similaires pour accélérer la phase de dégivrage.
- Ne pas utiliser ou conserver des sprays inflammables, tels que de la peinture en aérosol, auprès du réfrigérateur. Cela pourrait entraîner une explosion ou un incendie.
- Ne pas utiliser d'appareils électriques à l'intérieur des compartiments de conservation des aliments, sauf s'ils correspondent aux modèles recommandés par le fabricant.
- Ne pas placer ou conserver des substances inflammables ou hautement volatiles tels que l'éther, le pétrole, le GPL, le gaz propane, les bombes d'aérosol, les colles, l'alcool pur, etc. Ces substances peuvent provoquer une explosion.
- Ne pas conserver des médicaments ou des substances de recherche dans le réfrigérateur. Lorsque la matière à conserver requiert un contrôle strict des températures de conservation, il est possible qu'elle se détériore ou qu'une réaction incontrôlée se produise, laquelle peut entraîner des risques.
- Maintenez les ouvertures de ventilation situées dans le bâti de l'appareil ou sur la structure encastrée, libres de toute obstruction.
- Ne pas placer d'objets et/ou de récipients contenant de l'eau sur le dessus de l'appareil.
- Ne pas effectuer de réparation sur ce réfrigérateur. Toutes les interventions doivent uniquement être réalisées par un personnel qualifié.
- Cet appareil peut être utilisé par des enfants âgés de 8 ans et plus et par des personnes à capacités physiques, sensorielles ou intellectuelles réduites ou sans expérience et connaissances, s'ils sont sous une surveillance appropriée ou bien s'ils ont été informés quant à l'utilisation de l'appareil de manière sûre, et s'ils comprennent les risques impliqués.

Les enfants ne doivent pas jouer avec l'appareil. Le nettoyage et l'entretien ne doivent pas être effectués par des enfants sans surveillance.

En tournant entièrement le bouton dans le sens horaire, vous entendrez un clic correspondant à la mise hors tension du produit.

Une fois l'appareil installé, le cordon électrique et la prise de courant doivent être faciles d'accès.

La prise est compatible avec la fiche de l'appareil. Si ce n'est pas le cas, demandez le remplacement de la fiche par un technicien agréé ; n'utilisez pas de rallonges et/ou de connecteurs multiples.

Ne pas toucher les pièces internes ou les aliments surgelés avec les mains humides ou mouillées, car cela provoque des brûlures.

Mise au rebut d'un appareil usagé



En vous assurant de la mise au rebut conforme de ce produit, vous contribuerez à prévenir toute conséquence négative potentielle pour l'environnement et la santé humaine, qui pourrait être provoquée par une gestion inappropriée des déchets, une fois que ce produit aura atteint la fin de sa durée de vie.

Une mise au rebut appropriée de l'appareil peut permettre la revalorisation de précieuses matières premières !

Cet appareil est marqué comme conforme à la Directive Européenne 2012/19/CE relative aux déchets d'équipements électriques et électroniques (DEEE). Le symbole sur le produit indique que cet appareil ne doit pas être traité comme un déchet ménager normal ; il doit plutôt être déposé au point de collecte le plus proche dédié au recyclage des équipements électriques et électroniques.

Il convient de procéder à la mise au rebut conformément aux réglementations environnementales en vigueur pour la mise au rebut de déchets.

Pour des informations plus détaillées concernant le traitement, la récupération et le recyclage de ce produit, contactez le bureau public compétent (Ministère de l'Écologie et de l'Environnement), votre service de mise au rebut des déchets ménagers ou le magasin où vous avez acheté le produit.

Coupez et éliminez le cordon d'alimentation avec la fiche.

Jusqu'à la mise au rebut appropriée, n'endommagez pas les tuyauteries étant donné qu'elles contiennent le gaz réfrigérant.

Concernant la mise au rebut des matériaux d'étanchéité, suivez les réglementations locales.

Les DEEE contiennent à la fois des substances polluantes (qui peuvent avoir des conséquences négatives sur l'environnement) et des composants de base (qui peuvent être ré-utilisés). Il est important que les DEEE soient soumis à des traitements spécifiques afin de retirer et d'éliminer tous les polluants de manière appropriée et de valoriser et recycler tous les matériaux.

Chaque personne individuelle peut jouer un rôle important en s'assurant que les DEEE ne deviennent pas un problème environnemental ; il est essentiel de suivre certaines lois fondamentales :

- les DEEE ne doivent pas être traités comme des déchets ménagers.
- les DEEE doivent être remis aux points de collecte appropriés, gérés par les municipalités ou des entreprises agréées. Dans de nombreux pays, en cas de DEEE de grande taille, la collecte à domicile peut être à disposition.
- Lorsque vous achetez un nouvel appareil, l'ancien peut être retourné au vendeur qui doit le collecter gratuitement sous forme d'échange, dans la mesure où l'équipement est d'un type équivalent et qu'il possède les mêmes fonctions que l'équipement fourni.

Conformité

CE Cet équipement, dont certaines pièces sont conçues pour entrer en contact avec des produits alimentaires, est conforme aux exigences du règlement CE n° 1935/2004. L'appareil est conforme à la Directive Européenne 2004/108/CE, 2006/95CE et les amendements successifs.

INSTALLATION

AVERTISSEMENTS :

- Ne pas installer l'appareil dans un endroit humide ou mouillé étant donné que cela pourrait compromettre l'isolation et provoquer une fuite.
- Par ailleurs, sur l'extérieur, de la condensation pourrait s'accumuler.
- Ne pas placer l'appareil à l'extérieur ou à proximité de sources de chaleur ou sous la lumière directe du soleil.

L'appareil fonctionne correctement dans la plage des températures ambiantes indiquées :

+10 +32 °C pour la classe climatique SN

+16 +32 °C pour la classe climatique N

+16 +38 °C pour la classe climatique ST

+16 +43 °C pour la classe climatique T

(Voir la plaque signalétique du produit)

- Ne pas placer de récipients contenant des liquides sur le dessus de l'appareil.

- Attendre au moins 3 heures après la mise en place finale avant de mettre l'appareil en fonctionnement.

Branchement électrique

Après le transport, placez l'appareil verticalement et attendez au moins 2 à 3 heures avant de le raccorder au système électrique. Avant de brancher la fiche dans la prise électrique, vérifiez les points suivants :

- La prise est reliée à la terre et est conforme à la loi.
- La prise peut supporter la charge électrique maximale de l'appareil, comme indiqué sur la plaque signalétique du réfrigérateur.
- La tension d'alimentation se trouve dans les plages indiquées sur la plaque signalétique du réfrigérateur.
- Le cordon ne doit pas être plié ou comprimé.
- Le cordon doit être vérifié régulièrement et remplacé uniquement par des techniciens autorisés.
- Le fabricant décline toute responsabilité en cas de non-respect de ces mesures de sécurité.

Démarrage de l'appareil

Retirer tous les matériaux de conditionnement/d'emballage présents à l'intérieur de l'appareil et le nettoyer avec de l'eau et du bicarbonate de soude ou du savon neutre.

Après installation, attendre 2 - 3 heures pour laisser le temps au réfrigérateur/congélateur de se stabiliser à la température de service normale, avant de déposer des aliments frais ou surgelés à l'intérieur.

Si le cordon d'alimentation est débranché, attendre au moins cinq minutes avant de redémarrer le réfrigérateur/congélateur. A partir de ce point, l'appareil est prêt à être utilisé.

FUNCTIONNEMENT

Introduire des aliments dans l'appareil

Après un certain temps de fonctionnement, le réfrigérateur est suffisamment refroidi ; vous pouvez alors introduire des aliments et commencer à utiliser l'appareil.

Mode d'emploi



Fig. 1

1. Lorsque l'appareil est connecté à l'alimentation électrique pour la première fois ou reconnecté après avoir été débranché, le réfrigérateur fonctionnera aux réglages de température suivants : 5 °C pour le réfrigérateur, 2 °C pour le freezer ; Si vous voulez régler la température ou les fonctions manuellement, appuyez sur la touche pendant 3 secondes pour déverrouiller, et si aucune opération n'est effectuée après 30 secondes, le panneau de commande sera à nouveau verrouillé.
2. Réglage de la température du compartiment réfrigérateur : les utilisateurs peuvent régler la température sur « 2, 3, 4, 5, 6, 7, 8 et Fast Cooling ». Lorsque le panneau de commande est déverrouillé, appuyez sur pour choisir le compartiment réfrigérateur (l'indicateur du coin supérieur gauche s'allume). Appuyez sur pour choisir la température souhaitée ; Si l'option « Fast Cooling » est choisie (l'indicateur en forme de goutte d'eau à droite de l'écran s'allume), le compartiment réfrigérateur fonctionnera à 2 °C en continu pendant 24 heures, et le refroidissement rapide s'arrêtera au bout de 24 heures.
3. Réglage de la température pour le compartiment freezer : les utilisateurs peuvent régler la température entre « 0, 1, 2, 3, 4, 5 ». Lorsque le panneau de commande est déverrouillé, appuyez sur pour choisir le compartiment freezer (l'indicateur du coin inférieur gauche s'allume). Appuyez sur pour choisir la température souhaitée.
4. Allumer/Éteindre : appuyez sur la touche pendant 3 secondes pour allumer/éteindre l'appareil.

CONSERVATION

• Pour conserver des caractéristiques optimales des aliments en termes de saveur, de qualité et de fraîcheur, il est conseillé de les stocker dans le compartiment du réfrigérateur comme indiqué sur la fig. 4 ci-dessous, en s'assurant de les envelopper dans des feuilles d'aluminium ou du film plastique ou dans des récipients correctement fermés, afin d'éviter toute contamination croisée.

Zone du réfrigérateur

Fruits / Légumes

• Pour réduire l'assèchement des fruits et légumes, ils doivent être enveloppés dans des matériaux plastiques tels que des films ou des sachets, et déposés ensuite dans la zone dédiée aux fruits / légumes. De cette manière, on évite une détérioration rapide.

ZONE DU RÉFRIGÉRATEUR

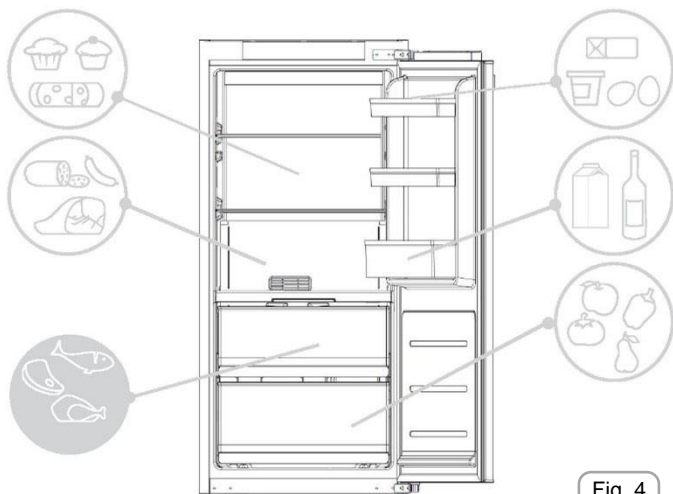


Fig. 4

Voyant de la température dans la zone la plus froide (uniquement sur certains modèles)

Certains modèles sont équipés d'un voyant de la température dans le compartiment du réfrigérateur au niveau de la zone la plus froide, afin de vous permettre de contrôler la température moyenne. Ce symbole indique la zone la plus froide du réfrigérateur (Fig. 5).

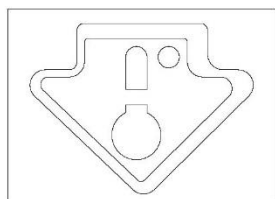


Fig. 4

Vérifier que sur l'indicateur de température, le mot OK apparaît clairement (Fig. 6). Si le mot n'apparaît pas, cela signifie que la température est trop élevée : réglez la température à un niveau plus froid et attendez environ 10 heures.

Vérifier à nouveau le voyant : si nécessaire, procéder à un nouveau réglage.

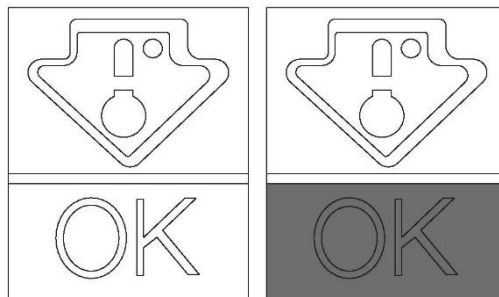


Fig. 6

REMARQUE :

Si de grandes quantités d'aliments sont déposées ou si la porte du réfrigérateur est ouverte fréquemment, il est normal que le voyant ne puisse pas afficher OK. Attendez au moins 10 heures avant de régler le thermostat à un niveau plus élevé.

Zone du congélateur

Utilisez le tableau ci-dessous pour les compartiments ***

Le processus de congélation peut survenir uniquement dans

les compartiments **

2 – 3 MOIS			
4 – 6 MOIS			
6 – 8 MOIS			
10 - 12 MOIS			

Recommandations pratiques

Déposer les aliments sur les clayettes de manière homogène de façon à laisser l'air circuler correctement et pour le refroidir.

- Éviter le contact entre les aliments et les parois arrière du compartiment du réfrigérateur.
- Ne pas introduire d'aliments chauds étant donné qu'ils peuvent détériorer les aliments déjà présents et augmenter la consommation énergétique.
- Retirer les emballages des aliments avant de les introduire.
- Ne pas les déposer dans des plats ou d'autres récipients s'ils n'ont pas été lavés préalablement.
- Ne pas obstruer les ouvertures de ventilation d'air froid avec des aliments.
- Ne pas couvrir la clayette en verre du bac à légumes pour permettre une bonne circulation de l'air.
- Ne pas déposer de bouteilles dans le compartiment du congélateur étant donné qu'elles peuvent exploser une fois congelées.
- En cas de coupure prolongée du courant, garder les portes fermées pour que les aliments restent froids le plus longtemps possible.
- L'installation de l'appareil dans un endroit chaud et humide, exposé à de fréquentes ouvertures de la porte et chargé de la conservation de grandes quantités de légumes, peut entraîner la formation de condensation et affecter la performance de l'unité elle-même.
- Pour éviter une consommation énergétique excessive, l'ouverture fréquente ou prolongée des portes n'est pas recommandée.

CONGÉLATION (uniquement sur certains modèles)

- Les aliments doivent être frais.
- Congeler de petites quantités d'aliments en même temps afin de les congeler rapidement. Ne jamais dépasser la quantité maximale d'aliments indiquée sur la plaque signalétique.
- Pendant la congélation, ne pas ouvrir la porte du congélateur.
- Les aliments doivent être enveloppés hermétiquement, de manière étanche à l'air.
- Séparer les aliments à congeler de ceux déjà congelés.
- Étiqueter les sachets ou les récipients pour tenir un inventaire des aliments surgelés.
- Une fois décongelés, ne jamais recongeler des aliments et les consommer rapidement.

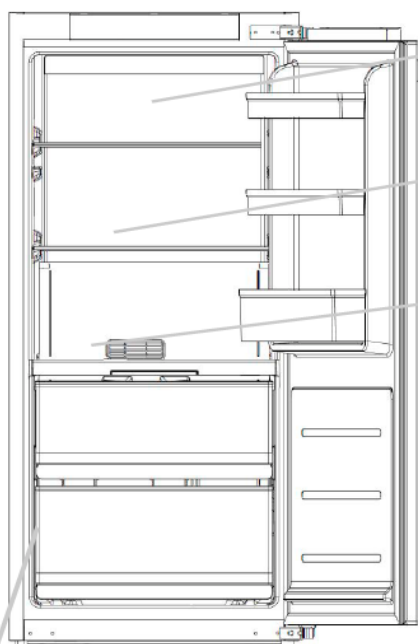
DÉGIVRAGE

Dégivrage du compartiment du réfrigérateur

Pendant son fonctionnement normal, le réfrigérateur est dégivré automatiquement. Il n'y a pas besoin de sécher les gouttes d'eau présentes sur la paroi arrière ou de retirer le givre (cela dépend du fonctionnement). L'eau est acheminée vers la partie arrière par le biais de l'orifice d'écoulement qui s'y trouve et la chaleur du compresseur permet de l'évaporer.

- Garder dans un état propre, le tuyau d'écoulement dans le compartiment du réfrigérateur afin qu'il soit exempt d'eau.

(Figure 8)



Le dégivrage du compartiment du réfrigérateur se fait automatiquement sur cet appareil.

Une petite quantité de givre ou de gouttelettes d'eau sur l'arrière du compartiment du réfrigérateur, lors du fonctionnement du réfrigérateur, est normale.

Veillez à ce que les aliments ne touchent pas l'arrière ou les côtés du compartiment réfrigérateur.

N.B. Vous trouverez ici la plaque signalétique de votre appareil : elle inclut toutes les données à transmettre au Service Clients en cas de panne.

Important : si votre température ambiante est élevée, il se peut que l'appareil fonctionne en permanence, ce qui entraîne une formation excessive de givre sur les parois intérieures du réfrigérateur. Dans ce cas, il convient de régler le thermostat sur une température plus élevée (6-8 °C).

La configuration la moins énergivore nécessite que les tiroirs, les boîtes de rangement et les clayettes soient positionnés dans le produit, veuillez consulter les photos ci-dessus.

Dégivrage du compartiment du congélateur

(produits fixes sans technologie NO-FROST)

Lorsque la couche de givre présente dans le compartiment du congélateur dépasse de 3 mm, il est recommandé de procéder au dégivrage puisque cela augmente la consommation d'énergie.

- 1) Éteignez l'appareil en appuyant sur le bouton d'alimentation pendant 3 secondes
- 2) Débranchez le cordon d'alimentation.
- 3) Retirez les aliments surgelés et placez-les provisoirement dans un endroit frais.
- 4) Laissez la porte du congélateur ouverte pour accélérer le dégivrage.
- 5) Collectez l'eau au fond de l'appareil.
- 6) Séchez le congélateur.
- 7) Rebranchez le cordon d'alimentation et réglez les valeurs souhaitées.
- 8) Attendez un moment et remettez les aliments surgelés à l'intérieur.

AVERTISSEMENT :

Éviter impérativement l'utilisation de flammes nues ou d'un équipement électrique, comme des radiateurs, des nettoyeurs à vapeur, des bougies, des lampes à pétrole ou similaires pour accélérer la phase de dégivrage. Ne pas gratter avec un couteau ou un objet tranchant pour retirer le givre ou la glace. Ceux-ci pourraient causer des dégâts sur le circuit réfrigérant, toute fuite pouvant alors provoquer un incendie ou des lésions oculaires.

Dégivrage du compartiment du congélateur

(produits NO-FROST)

Le dégivrage est automatique.

ENTRETIEN ET NETTOYAGE

Éclairage

Éclairage LED

Le produit est équipé de LED, veuillez contacter le service d'assistance technique en cas de remplacement. Par rapport aux ampoules traditionnelles, les LED durent plus longtemps et sont respectueuses de l'environnement.

Nettoyage

REMARQUE :

- Avant chaque opération, débranchez la fiche du réfrigérateur de la prise de courant pour prévenir tout choc électrique.
- Ne pas verser d'eau directement sur l'extérieur ou l'intérieur du réfrigérateur lui-même. Cela pourrait entraîner une oxydation et endommager l'isolation électrique.

IMPORTANT :

Pour éviter toute fissure sur les surfaces intérieures et les pièces plastiques, suivre ces suggestions :

- Essuyer toutes les graisses alimentaires collées sur les composants plastiques.
- Les pièces intérieures, les garnitures et les pièces extérieures peuvent être nettoyées à l'aide d'un chiffon et d'eau tiède additionnée de bicarbonate de soude ou de savon neutre. Ne pas utiliser de solvants, d'ammoniaque, d'eau de javel ou d'abrasifs.
- Retirer les accessoires, par exemple, les clayettes du réfrigérateur et de la porte. Nettoyer à l'eau chaude savonneuse. Rincer et sécher soigneusement.
- L'arrière de l'appareil a tendance à accumuler de la poussière qu'il est possible d'éliminer à l'aide d'un aspirateur, après avoir éteint et débranché l'appareil de la sortie électrique. Cela permet d'accroître l'efficacité énergétique.

ÉCONOMIES D'ÉNERGIE

Pour des économies d'énergie optimales, nous suggérons ce qui suit :

- Installer l'appareil à distance des sources de chaleur et éloigné de la lumière directe du soleil dans une pièce bien ventilée.
- Éviter de déposer des aliments chauds dans le réfrigérateur pour éviter une augmentation de la température intérieure et provoquer ainsi un fonctionnement continu du compresseur.
- Ne pas entasser d'aliments de manière excessive afin d'assurer une bonne circulation de l'air.
- Dégivrer l'appareil en cas de givre (voir DÉGIVRAGE) pour faciliter le transfert du froid.
- En cas de coupure de courant, il est conseillé de garder la porte du réfrigérateur fermée.
- Ouvrir ou garder les portes de l'appareil ouvertes le moins possible.
- Éviter de régler le thermostat sur des températures trop basses.
- Retirer la poussière présente sur l'arrière de l'appareil (voir NETTOYAGE).

ÉVITER LES BRUITS

Pendant son fonctionnement, le réfrigérateur émet des bruits tout à fait normaux comme :

- **VROMBISSEMENT**, le compresseur fonctionne.
- **GARGOUILLIS, BRUISSEMENT** et **SIFFLEMENT**, le réfrigérant circule dans les tubes.
- **TIC-TAC** et **CLIQUETIS**, l'arrêt du fonctionnement du compresseur.

Petites mesures pour réduire les bruits de vibration :

- **Les récipients se touchent** : éviter le contact entre les contenants et les récipients en verre.

- **Les tiroirs, clayettes et bacs émettent des vibrations** : contrôler l'installation appropriée des accessoires intérieurs.

REMARQUE :

Le gaz réfrigérant produit du bruit même lorsque le compresseur est éteint ; ce n'est pas un défaut, c'est normal.

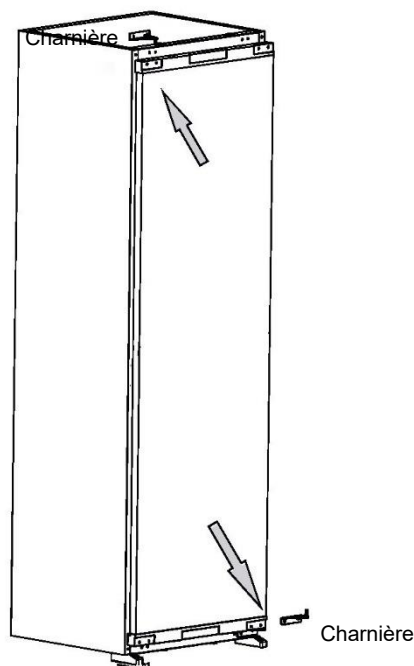
Si vous entendez un cliquetis à l'intérieur de l'appareil, cela est normal et dû à la dilatation des différents matériaux.

OUVERTURE RÉVERSIBLE DE LA PORTE

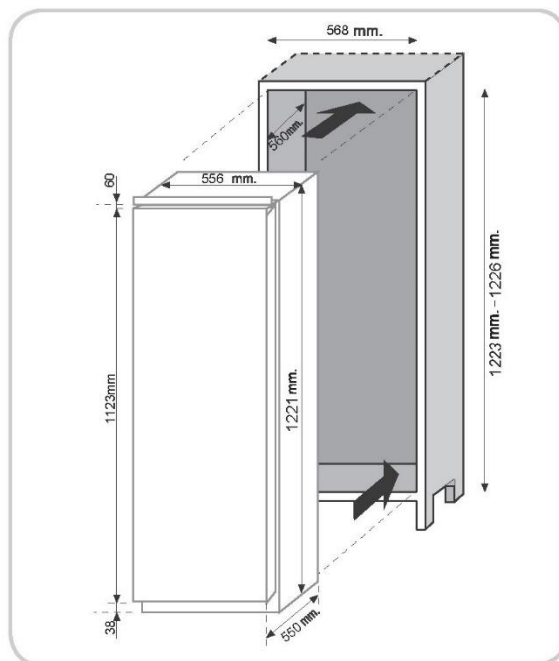
Les portes de l'appareil peuvent être inversées afin de permettre une ouverture vers la droite ou vers la gauche, en fonction des exigences.

REMARQUE :

- L'inversion des portes doit être effectuée par un personnel technique qualifié.
- L'inversion des portes n'est pas couverte par la garantie.











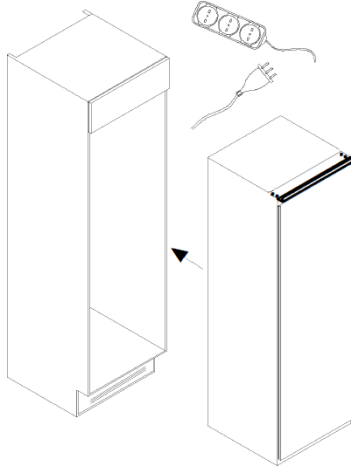
DIMENSIONS DU PRODUIT ET COMPARTIMENT ENCASTRÉ



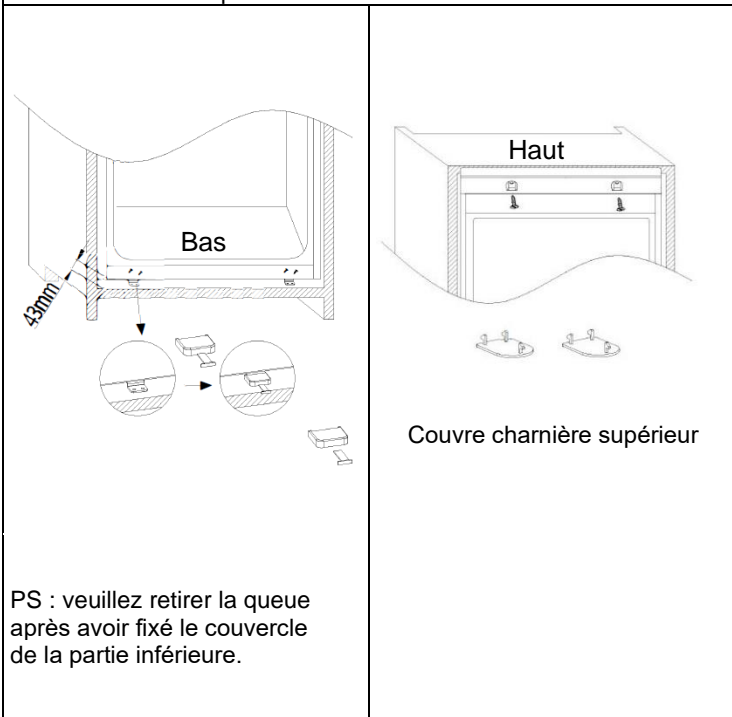
INSTALLATION DE L'APPAREIL DANS LA COLONNE

1. Pousser l'appareil dans le meuble en bois, l'appareil devrait mieux s'approcher du côté gauche du meuble.

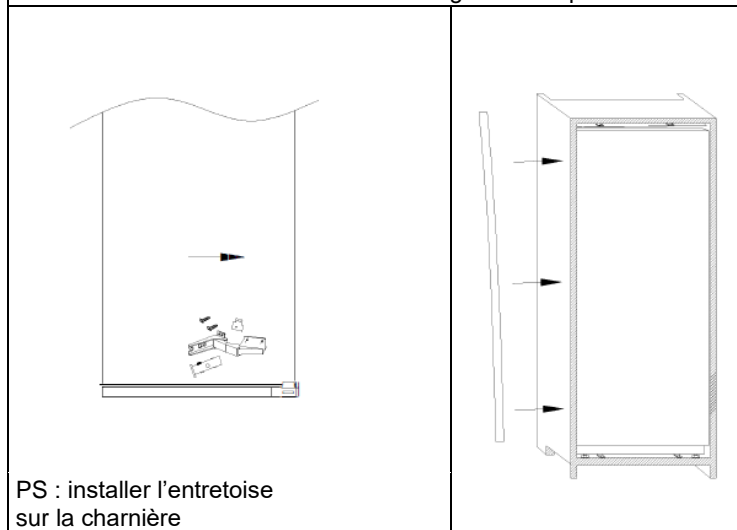
Outils et pièces détachées	
	Entretoise pour charnière A
	Entretoise pour charnière B
	Cache de la charnière
	Vis à tête cruciforme 3,9x12, T20 3,9x16, T20
	Clé de serrage
	Couvercle gauche de l'entretoise du panneau de contrôle
	Couvercle droit de l'entretoise du panneau de contrôle
	Bande décorative



2. Ajuster la position de l'appareil, visser la partie supérieure et inférieure du produit sur le meuble

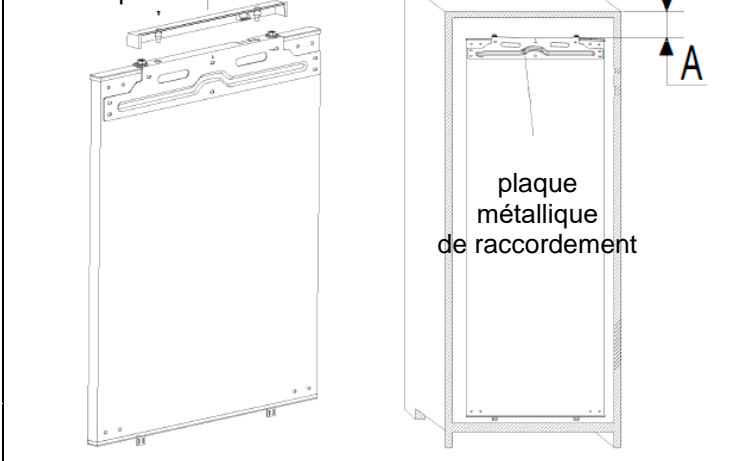


3. Fixer la charnière sur le meuble à l'aide d'une vis, fixer la bande décorative sur le côté gauche du produit.

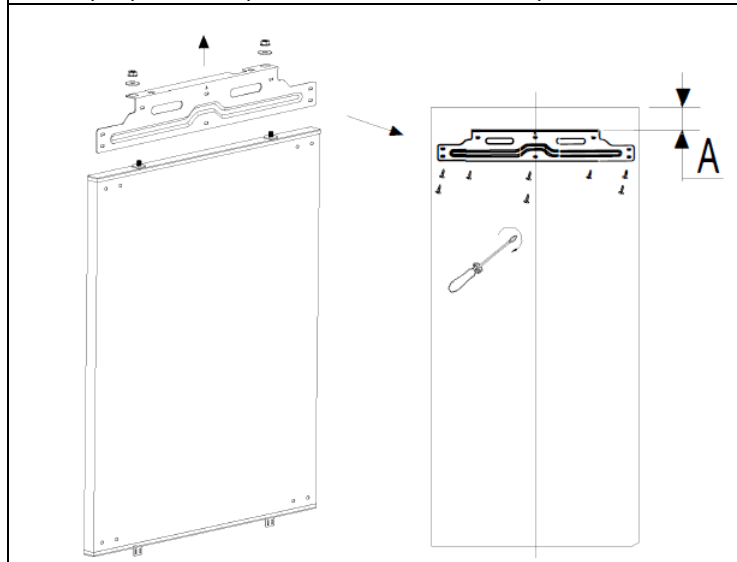


4. Mesurer la dimension de A

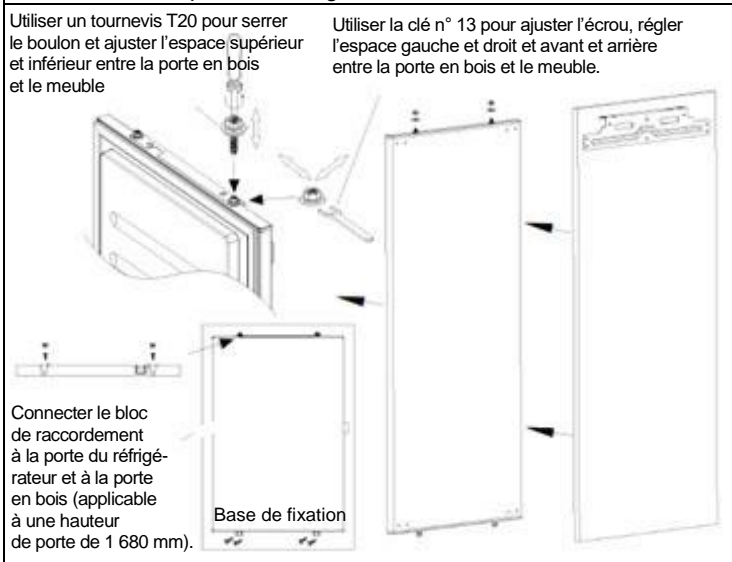
Retirer le couvercle de la garniture avant de procéder à la mesure



5. Retirer la plaque métallique de raccordement et installer la plaque métallique de raccordement sur la porte en bois



6. Veuillez suivre les étapes ci-dessous pour raccorder la porte en bois et la porte du réfrigérateur



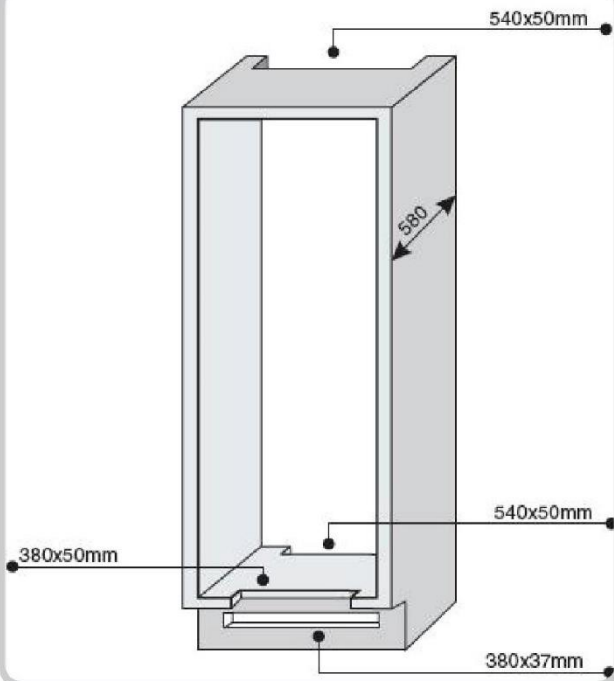
PRÉCAUTIONS RELATIVES AU FONCTIONNEMENT CORRECT

Une fois le produit incorporé, placer la partie arrière de la colonne en contact avec le mur de façon à empêcher tout accès au compartiment du compresseur.

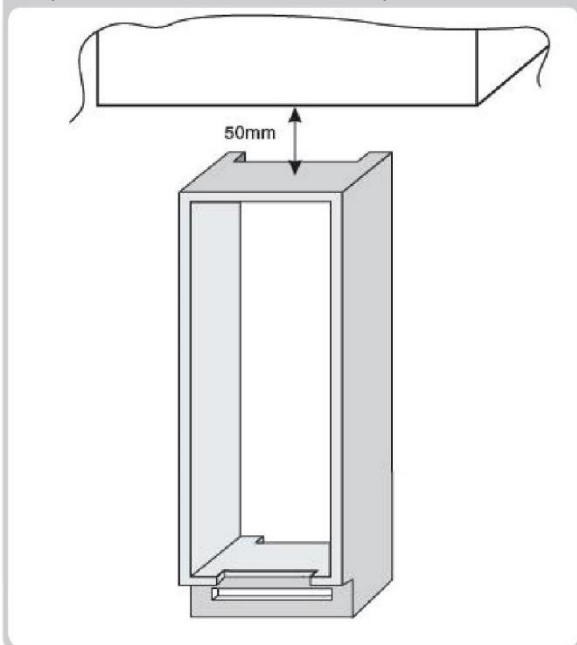
Pour un fonctionnement correct de l'appareil, il est essentiel de permettre une circulation appropriée de l'air de façon à refroidir le condensateur situé sur la partie arrière de l'appareil.

Pour cette raison, la colonne doit être équipée d'une cheminée arrière, dont l'ouverture supérieure ne doit pas être obstruée, et dotée d'une fente à l'avant recouverte d'une grille de ventilation.

Taille des découpes de l'unité.



Espace à conserver entre l'unité et le plafond.



UTILISATION SUSPENDUE DE L'APPAREIL

Si l'appareil ne doit pas fonctionner pendant une période prolongée :

- 1) Éteindre l'appareil (voir Fonctionnement).
- 2) Débrancher la fiche ou retirer le dispositif de sécurité.
- 3) Nettoyer l'appareil.
- 4) Laisser les portes de l'appareil ouvertes.

DÉPANNAGE

PROBLÈME	CAUSE	CORRECTION
L'éclairage intérieur ne s'allume pas.	<ul style="list-style-type: none"> Absence d'électricité. L'interrupteur de la porte est bloqué. 	<ul style="list-style-type: none"> Le cordon d'alimentation n'est pas correctement inséré. Vérifier si l'appareil est éteint (voir Réglage de la température). S'assurer qu'il y a du courant dans la maison. Vérifier qu'il est actif.
Le réfrigérateur et le congélateur ne refroidissent pas suffisamment.	<ul style="list-style-type: none"> Les portes ne sont pas fermées. Les portes sont fréquemment ouvertes Réglage erroné de la température. Le réfrigérateur et le congélateur ont été excessivement remplis. La température ambiante est trop basse. Absence de courant. 	<ul style="list-style-type: none"> Vérifier que la porte et les garnitures ferment correctement. Éviter d'ouvrir les portes de manière inutile pendant un certain temps. Contrôler le réglage de la température, et si possible, refroidir encore plus (voir Réglage de la température). Attendre que la température du réfrigérateur ou du congélateur se stabilise. Vérifier que la température ambiante est conforme aux spécifications indiquées sur la plaque signalétique (voir Installation). Le cordon d'alimentation n'est pas correctement inséré. Vérifier si l'appareil est éteint (voir Réglage de la température). S'assurer qu'il y a du courant dans le logement.
Les aliments situés dans le réfrigérateur gèlent.	<ul style="list-style-type: none"> Réglage erroné de la température. Nourriture en contact avec la paroi arrière. La congélation d'une quantité trop importante d'aliments frais diminue la température du réfrigérateur. 	<ul style="list-style-type: none"> Contrôler le réglage de la température (voir Réglage de température) et si possible, diminuer le réglage de la température. Enlever les aliments de la paroi arrière du réfrigérateur. Ne pas dépasser la quantité maximale d'aliments à congeler (voir Congélation).
Le fond du compartiment réfrigérateur est humide ou des gouttelettes sont présentes.	<ul style="list-style-type: none"> Le tuyau d'égouttement peut être bouché. 	<ul style="list-style-type: none"> Nettoyer le tube de vidange à l'aide d'un bâton ou d'un objet similaire pour permettre l'évacuation de l'eau.
Présence de gouttes ou d'eau sur la paroi arrière du réfrigérateur.	<ul style="list-style-type: none"> Fonctionnement normal du réfrigérateur. 	<ul style="list-style-type: none"> Ce n'est pas un défaut (voir Dégivrage).
Présence d'eau dans le bac à légumes.	<ul style="list-style-type: none"> Manque de circulation d'air. Légumes et fruits trop humides. 	<ul style="list-style-type: none"> Vérifier qu'il n'y a pas d'aliments déposés sur la clayette en verre des légumes, qui empêchent la circulation de l'air. Envelopper les fruits et les légumes dans des matériels en plastique, comme par ex. des films, sachets ou récipients.
Le moteur fonctionne en permanence.	<ul style="list-style-type: none"> Les portes ne sont pas fermées. Les portes sont ouvertes fréquemment. La température ambiante est très élevée. Épaisseur du givre supérieure à 3 mm. 	<ul style="list-style-type: none"> S'assurer que la porte est fermée et que les joints ferment correctement. Éviter d'ouvrir les portes de manière inutile pendant un certain temps. Vérifier que la température ambiante est conforme aux spécifications indiquées sur la plaque signalétique (voir Installation). Régler l'affichage/thermostat sur une température plus chaude. Dégivrer l'unité (voir Dégivrage).
Les aliments surgelés dégelent.	<ul style="list-style-type: none"> La plage de température ambiante est inférieure à la classe climatique de l'appareil. Le compresseur démarre rarement. La porte du congélateur n'est pas fermée. 	<ul style="list-style-type: none"> Déplacer l'unité dans une pièce plus chaude ou chauffer la pièce. S'assurer que la porte est fermée et que la garniture est correctement étanche.
Le voyant Wi-Fi clignote par alternance 3 sec allumé et 1 seconde éteint.	<ul style="list-style-type: none"> Routeur désactivé. Manque de connexion. 	<ul style="list-style-type: none"> Allumer le routeur. Réinitialiser le produit (voir WI-FI)

SI VOUS N'AVEZ PAS PU RÉSOUDRE LE PROBLÈME, CONTACTER LE CENTRE DE SERVICE APRÈS-VENTE. VEUILLEZ INDIQUER LE TYPE DE DÉFAUT ET LES INFORMATIONS CONTENUES SUR LA PLAQUE DE CET APPAREIL, SITUÉE DANS LE COMPARTIMENT DU RÉFRIGÉRATEUR :

- Le modèle de l'équipement.
- Le nombre de séries.

VEILIGHEIDSINFORMATIE	32
INSTALLATIE	32
BEDIENING	32
BEWARING	32
INVRIEZEN	32
ONTDOOIEN	32
ONDERHOUD EN REINIGING	32
ENERGIEBESPARINGEN	32
LAWAAI VOORKOMEN	32
OMKEERBAARHEID VAN DE DEUR	32
PRODUCTAFMETINGEN EN INBOUWCOMPARTIMENT	32
INSTALLATIE VAN HET APPARAAT IN DE KAST	32
VOorzorgen voor de juiste werking	32
GEBRUIK VAN HET APPARAAT OPSCHORTEN	32
PROBLEMEN OPLOSSEN	32

Bedankt voor de aankoop van dit product.

Voordat u de koelkast gebruikt, moet u deze instructiehandleiding zorgvuldig doorlezen om de beste resultaten uit het toestel te halen. Bewaar alle documentatie voor toekomstig gebruik of voor andere eigenaren. Dit product is uitsluitend bedoeld voor huishoudelijk gebruik of voor soortgelijke toepassingen, zoals:

- de keukenruimte voor personeel in winkels, kantoren en andere werkomgevingen
- op boerderijen, door gasten van hotels, motels en andere woonomgevingen
- in bed and breakfasts (B&B)
- voor cateringservices en dergelijke toepassingen die niet voor de kleinhandel zijn.

Dit apparaat mag uitsluitend worden gebruikt voor het bewaren van voedsel. Elk ander gebruik moet als gevaarlijk worden beschouwd en de fabrikant is niet verantwoordelijk voor nalatigheid. Het is ook aan te raden om de garantievoorzwaarden door te lezen.

VEILIGHEIDSINFORMATIE

De koelkast bevat een koelgas (R600a: isobutaan) en een isolerend gas (cyclopentaan), die milieuvriendelijk, maar wel brandbaar zijn.

We bevelen aan dat u de volgende voorschriften volgt om gevaarlijke situaties te vermijden:

- Haal de stekker uit het stopcontact voordat u handelingen uitvoert.
- Het koelsysteem dat zich achter en binnen in de koelkast bevindt, bevat een koelmiddel. Zorg er daarom voor dat de buizen niet beschadigd raken.
- Als in het koelsysteem een lek opgemerkt wordt, raak dan de wandcontactdoos niet aan en gebruik geen open vlammen. Open het venster en laat lucht de kamer binnenkomen. Bel vervolgens naar een servicecentrum en vraag om reparatie.
- Schraap de rijm en de ijsaanslag die optreedt niet af met een mes of scherp voorwerp. Deze kunnen het koelcircuit beschadigen en de lekkage uit het circuit kan brand veroorzaken of uw ogen beschadigen.
- Installeer het apparaat niet in vochtige, olieachtige of stoffige plaatsen en stel het niet bloot aan direct zonlicht of water.
- Installeer het apparaat niet in de buurt van verwarmingsapparaten of ontvlambare materialen.
- Gebruik geen verlengsnoeren of adapters.
- Trek niet te hard aan het netsnoer, vouw het niet dubbel en raak de stekker niet met natte handen aan.
- Beschadig de stekker en/of het netsnoer niet; dit kan elektrische schokken of brand veroorzaken.
- Het wordt aanbevolen om de stekker schoon te houden, te veel stof op de stekker kan brand veroorzaken.
- Gebruik geen andere mechanische toestellen of apparaten om het ontdooiingsproces te versnellen.
- Gebruik absoluut geen open vuur of elektrische apparatuur, zoals verwarmers, stoomreinigers, kaarsen, olielampen en dergelijke om de ontdooiingsfase te versnellen.
- Gebruik of bewaar geen ontvlambare sprays, zoals verfbussen, in de buurt van de koelkast. Deze kunnen een explosie of brand veroorzaken.
- Gebruik geen elektrische apparaten in de bewaarruimten voor levensmiddelen, tenzij deze van het type zijn dat door de fabrikant wordt aanbevolen.
- Plaats geen brandbare en sterk vluchtige materialen zoals ether, benzine, LPG, propaangas, spuitbussen, lijm, pure alcohol, etc. op of in het apparaat. Deze materialen kunnen een explosie veroorzaken.
- Bewaar geen medicijnen of onderzoeksmaterialen in de koelkast. Als er materiaal moet worden opgeslagen waarvoor een strenge controle van de opslagtemperatuur vereist is, kan dit bederven of kan er een ongecontroleerde reactie optreden die risico's kan veroorzaken.
- Zorg ervoor dat de ventilatieopeningen in de behuizing van het apparaat of in de ingebouwde constructie open blijven.
- Plaats geen voorwerpen en/of houders gevuld met water boven op het apparaat.
- Voer geen reparaties uit aan deze koelkast. Alle ingrepen mogen uitsluitend door gekwalificeerd personeel worden uitgevoerd.
- Dit apparaat mag worden gebruikt door kinderen vanaf 8 jaar en door personen met verminderde lichamelijke, zintuiglijke of geestelijke vermogens of met een gebrek aan kennis en ervaring, mits zij goed onder toezicht worden gehouden of instructies hebben gekregen om het apparaat veilig te kunnen gebruiken en de gevaren begrijpen die ermee gepaard gaan.

Kinderen mogen niet spelen met het apparaat. Reiniging en gebruikersonderhoud mogen niet worden uitgevoerd door kinderen zonder toezicht.

Als de knop volledig in linksom wordt gedraaid dan hoort u een klik die overeenkomt met het uitschakelen van het product.

Wanneer het apparaat geïnstalleerd is, moeten het netsnoer en stopcontact gemakkelijk bereikbaar zijn. Het stopcontact is compatibel met de stekker van het apparaat. Als dit niet het geval is, vraag dan om vervanging van de stekker door een erkende technicus; gebruik geen verlengsnoeren en/of multistekkersystemen.

Raak het binnenwerk of de ingevroren levensmiddelen niet aan met vochtige of natte handen gezien dit brandwonden kan veroorzaken.

Oud apparaat slopen



Door dit product correct te verwijderen, helpt u potentiële negatieve gevolgen voor het milieu en de menselijke gezondheid te voorkomen, die anders door de verkeerde afvalbehandeling van dit product aan het einde van zijn levensduur zouden kunnen worden veroorzaakt.

Door de juiste verwijdering van het apparaat, kunnen waardevolle grondstoffen teruggewonnen worden!

Dit apparaat is conform de Europese Richtlijn 2012/19/EU betreffende afgedankte elektrische en elektronische apparatuur (WEEE). Het symbool op het product duidt aan dat dit apparaat niet behandeld mag worden als normaal huishoudelijk afval. In plaats daarvan moet het bij het inzamelpunt voor het recyclen van elektrische en elektronische apparatuur worden ingeleverd.

De verwijdering moet in overeenstemming met plaatselijke milieuvorschriften voor afvalverwerking worden uitgevoerd. Voor meer gedetailleerde informatie over de behandeling, terugwinning en recycling van dit product, neemt u contact op met uw gemeentelijke reinigingsdienst of de winkel waar u het apparaat heeft gekocht. Snijd het netsnoer met de stekker van het apparaat en verwijder het. Beschadig tot aan de juiste verwijdering de koelbuizen niet omdat ze het koelgas bevatten.

Volg de plaatselijke regelgeving voor het verwijderen van de verpakkingsmaterialen.

AEEA bevat zowel vervuilende stoffen (die negatieve gevolgen voor het milieu kunnen hebben) als basiscomponenten (die hergebruikt kunnen worden). Het is belangrijk om AEEA te onderwerpen aan specifieke behandelingen, teneinde alle vervuilende stoffen op de juiste wijze te verwijderen en af te voeren en alle materialen terug te winnen en te recyclen. Mensen kunnen hierbij een belangrijke rol spelen en ervoor zorgen dat AEEA geen milieuprobleem wordt. Het is van essentieel belang om enkele basisregels te volgen:

- AEEA mag niet worden behandeld als huishoudelijk afval.
- AEEA moet worden ingeleverd bij relevante inzamelpunten die worden beheerd door de gemeente of door geregistreerde bedrijven. In veel landen bestaat de mogelijkheid grote AEEA thuis te laten ophalen.
- wanneer u een nieuw apparaat koopt, kan het oude teruggegeven worden aan de verkoper die het gratis moet innemen, met dien verstande dat de apparatuur van een gelijkwaardig type is en dezelfde functies had als de geleverde apparatuur.

Conformiteit

CE Deze apparatuur, met betrekking tot de delen bedoeld om in contact te komen met levensmiddelen, is in overeenstemming met de vereisten van Verordening (EG) nr. 1935/2004 van het Europees Parlement en de Raad. Apparaat conform de Europese Richtlijn 2004/108/EG, 2006/95/EG en de opeenvolgende wijzigingen.

INSTALLATIE

WAARSCHUWINGEN:

- Installeer het apparaat niet in een vochtige of natte locatie gezien dit de isolatie kan aantasten en lekken kan veroorzaken.
- Bovendien kan aan de buitenkant ervan zich condens ophopen.
- Plaats het apparaat niet in een buitenomgeving of in de buurt van warmtebronnen of blootgesteld aan direct zonlicht.

Het apparaat werkt goed binnen de aangegeven omgevingstemperaturen:

10–32°C voor klimaatklasse SN (subnormaal)

16–32°C voor klimaatklasse N (normaal)

16–38°C voor klimaatklasse ST (subtropisch)

16–43°C voor klimaatklasse T (tropisch)

(Zie het typeplaatje van het product)

- Plaats geen houders met vloeistoffen boven op het apparaat.
- Wacht minstens 3 uur na de uiteindelijke installatie voor u het apparaat in werking zet.

Elektrische aansluiting

Plaats het apparaat na vervoer verticaal en wacht minstens 2–3 uur voordat u het op het elektrische systeem aansluit. Voordat u de stekker in het stopcontact steekt, moet u het volgende controleren:

- Het stopcontact moet geaard en in overeenstemming met de wet zijn.
- Het stopcontact moet bestand zijn tegen de maximale stroombelasting van het apparaat, zoals aangeduid op het typeplaatje van de koelkast.
- De voedingsspanning ligt binnen de hoeveelheden aangeduid op het typeplaatje van de koelkast.
- Het snoer mag niet gevouwen of samengedrukt zijn.
- Het snoer moet regelmatig gecontroleerd worden en mag uitsluitend worden vervangen door bevoegde technici.
- De fabrikant wijst alle aansprakelijkheid af wanneer deze veiligheidsmaatregelen niet gerespecteerd worden.

Het apparaat opstarten

Verwijder alle omhulsels/verpakking aan de binnenkant van het apparaat en reinig met water en bicarbonaat of een neutrale zeep.

Wacht na de installatie 2–3 uur zodat de koelkast/vriezer de tijd krijgt om te stabiliseren bij een normale bedrijfstemperatuur, vóór u er verse of ingevroren levensmiddelen in plaatst.

Als het netsnoer losgekoppeld is, wacht dan minstens vijf minuten voor u de koelkast/vriezer herstart. Op dit punt is het apparaat klaar voor gebruik.

BEDIENING







Voedsel in het apparaat doen

Nadat de koelkast een tijdje in werking is, is hij voldoende afgekoeld; op dat moment kunt u het voedsel erin doen en het apparaat gaan gebruiken.

Bedieningsinstructies



Afb. 1

1. Wanneer het apparaat voor het eerst wordt aangesloten op de voeding of opnieuw wordt aangesloten nadat de stekker uit het stopcontact is gehaald, werkt de koelkast volgens de volgende temperatuurinstellingen: 5°C voor koelkast, 2°C voor de koude zone. Als u de temperatuur of functies handmatig wilt aanpassen, houdt u de knop  3 seconden ingedrukt om te ontgrendelen, en als er na 30 seconden geen handelingen worden uitgevoerd, wordt het bedieningspaneel weer vergrendeld.
2. Temperatuurinstelling voor koelkastgedeelte: Gebruikers kunnen de temperatuur instellen tussen 2, 3, 4, 5, 6, 7, 8 en Fast Cooling. Wanneer het bedieningspaneel ontgrendeld is, drukt u op  om het koelkastgedeelte te kiezen (indicator linksboven licht op). Druk op  om de gewenste temperatuur te kiezen. Als 'Fast Cooling' wordt gekozen (de waterdruppelindicator aan de rechterkant van het scherm licht op), werkt het koelkastcompartiment 24 uur lang continu op 2°C. Na 24 uur wordt het snelkoelen gestopt en werkt het koelkastgedeelte volgens de vorige temperatuurinstelling.
3. Temperatuurinstelling voor de koude zone: Gebruikers kunnen de temperatuur instellen op 0, 1, 2, 3, 4, 5. Wanneer het bedieningspaneel ontgrendeld is, drukt u op  om de koude zone te kiezen (indicator linksonder licht op). Druk op  om de gewenste temperatuur te kiezen.
4. In-/uitschakelen: Houd  3 seconden ingedrukt om het apparaat in of uit te schakelen.

BEWARING

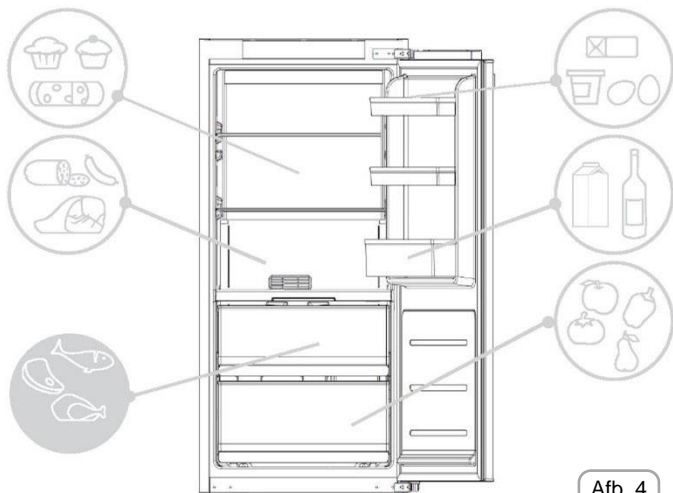
• Voor een optimale conservering van smaak, voedingswaarde en versheid van de voedingsmiddelen, wordt aanbevolen deze zoals aangegeven in afb. 4 te bewaren in het koelkastgedeelte. Wikkel de voedingsmiddelen in aluminiumfolie of plasticfolie, of in speciale bakken met deksel om kruisbesmetting te voorkomen.

Koelkastgedeelte

Fruit/groenten

• Om het vochtverlies van fruit en groenten te verminderen, moeten ze omwikkeld worden in plastic materialen zoals folies of zakjes en dan in het fruit/groente-gedeelte worden geplaatst. Op deze manier wordt een snelle verslechtering vermeden.

KOELKASTGEDEELTE

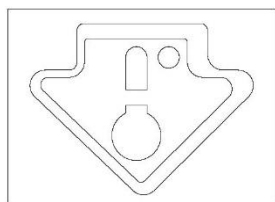


Afb. 4

Indicator van de temperatuur in de koudste zone (niet bij alle modellen)

Sommige modellen zijn uitgerust met een indicator van de temperatuur in het koelgedeelte in de koudste zone, zodat u de gemiddelde temperatuur kunt controleren.

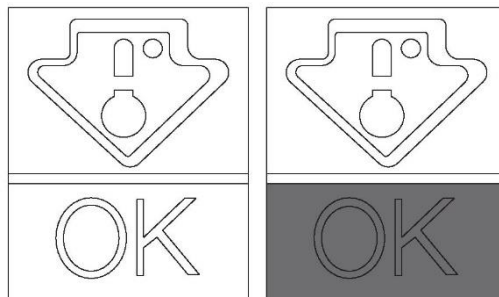
Dit symbool geeft de koudste zone van de koelkast aan (afb. 5).



Afb. 5

Controleer dat het woord OK duidelijk wordt weergegeven op de temperatuurindicator (afb. 6). Als het woord niet verschijnt, betekent dit dat de temperatuur te hoog is: stel de temperatuur in op een koelere stand en wacht ongeveer 10 uur.

Controleer de indicator opnieuw: pas opnieuw aan indien nodig.



Afb. 6

OPMERKING:

Als grote hoeveelheden voedsel in de koelkast geplaatst worden of de koelkastdeur vaak geopend wordt, is het normaal dat de indicator geen OK weergeeft. Wacht minstens 10 uur voordat u de thermostaat op een hogere stand zet.

Vriezergedeelte

Gebruik de onderstaande tabel voor de compartimenten met * ** **

Het invriezen kan uitsluitend in de compartimenten met * ** **

2-3 MAANDEN			
4-6 MAANDEN			
6-8 MAANDEN			
10-12 MAANDEN			

Praktische aanbevelingen

Plaats het voedsel verspreid op de planken zodat de lucht goed kan circuleren en het kan afkoelen.

- Vermijd contact tussen het voedsel en de achterwand van het koelgedeelte.
- Zet geen warm voedsel in de koelkast gezien dit een verslechtering van ander voedsel kan veroorzaken en het stroomverbruik kan verhogen.
- Verwijder de verpakking van voedsel voor u het in de koelkast plaatst.
- Plaats geen schotels of andere schalen/bakken tenzij ze eerder afgewassen zijn.
- Blokkeer de ventilatoropeningen voor de koude lucht niet met voedsel.
- Bedek de glazen plank van het groentevak niet om een goede luchtcirculatie mogelijk te maken.
- Bewaar geen flessen in het vriezergedeelte, aangezien deze kunnen barsten als ze bevroren zijn.
- Houd in het geval van een langere stroomuitval de deuren gesloten zodat het voedsel zo lang mogelijk koud blijft.
- Installatie van het apparaat op een warme en vochtige plaats, met frequente opening van de deur, en het bewaren van grote hoeveelheden groenten kan condensvorming veroorzaken en de prestaties van het apparaat zelf aantasten.
- Om een buitensporig energieverbruik te voorkomen, is het raadzaam de deuren niet te lang open te laten.

INVRIEZEN (niet bij alle modellen)

- Het voedsel moet vers zijn.
- Vries kleine hoeveelheden voedsel per keer in zodat het invriezen snel gaat. Overschrijd nooit de maximale hoeveelheid aangegeven op het typeplaatje.
- Open tijdens het invriezen de deur van de vriezer niet.
- Het voedsel moet luchtdicht afgesloten zijn.
- Scheid het in te vriezen voedsel van al ingevroren voedsel.
- Label zakken of bakjes om een inventaris te hebben van het ingevroren voedsel.
- Vries voedsel na het ontdooien nooit opnieuw in maar gebruik het onmiddellijk.

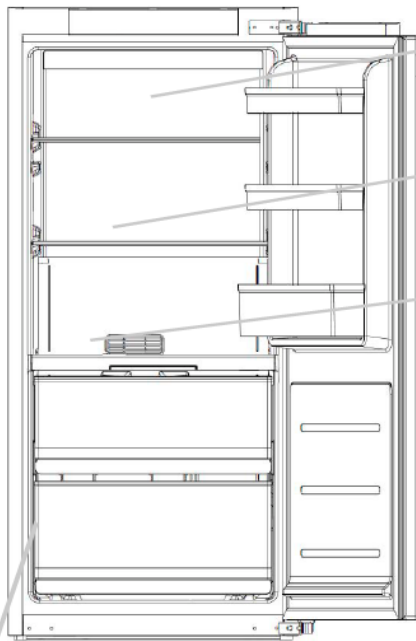
ONTDOOIEN

Ontdooien van het koelkastgedeelte

Tijdens een normale werking wordt de koelkast automatisch ontdooid. Het is niet nodig om de druppels water op de achterwand te drogen of om het ijs te verwijderen (afhankelijk van de werking). Het water wordt afgevoerd naar de achterkant via het afvoergat daar en de hitte van de compressor doet het verdampen.

- Houd de afvoerbuis in het koelkastgedeelte schoon, zodat deze vrij van water blijft.

(Afbeelding 8)



Het ontdooien van het koelkastgedeelte gebeurt met dit product automatisch.

Een kleine hoeveelheid vorst of druppels water aan de achterkant van het koelkastgedeelte wanneer de koelkast in werking is, is normaal.

Zorg ervoor dat voedsel de achterkant of zijkanten van het koelkastgedeelte niet raakt.

N.B.: Hier vindt u het typeplaatje van uw apparaat: het bevat alle gegevens die moeten worden doorgegeven aan de klantenservice als er een storing optreedt.

Belangrijk: als de omgevingstemperatuur hoog is, is het mogelijk dat het apparaat continu werkt, waardoor zich overmatig veel ijs vormt op de binnenwand van de koelkast. Stel in dit geval de thermostaat in op een warmere stand (6-8°C).

De meest energiebesparende configuratie vereist dat lades, bakken en planken in het product worden geplaatst, zie de bovenstaande afbeeldingen.

Het vriezergedeelte ontdooien

(statisch product met NO-FROST-technologie)

Wanneer de laag ijs in het vriezergedeelte meer dan 3 mm dik is, wordt aanbevolen om te ontdooien, aangezien dit ijs het stroomverbruik verhoogt.

- 1) Schakel het apparaat uit door de aan/uit-knop 3 seconden ingedrukt te houden
- 2) Haal de stekker van de stroomkabel uit het stopcontact.
- 3) Verwijder het ingevroren voedsel en plaats dit tijdelijk op een koude plek.
- 4) Laat de deur van de vriezer open om het ontdooien te versnellen.
- 5) Vang het water onderaan in het product op.
- 6) Maak de vriezer droog.
- 7) Steek de stekker van de stroomkabel weer in het stopcontact en stel de gewenste waarden in.
- 8) Wacht een moment en plaats dan de ingevroren levensmiddelen opnieuw in het vak.

WAARSCHUWING:

Gebruik absoluut geen open vuur of elektrische apparatuur, zoals kachels, stoomreinigers, kaarsen, olielampen en dergelijke om de ontdooifase te versnellen.

Schraap aangevroren druppels of ijs niet weg met een mes of scherp voorwerp. Deze kunnen het koelcircuit beschadigen waarna lekkage brand kan veroorzaken of schade aan uw ogen kan veroorzaken.

Het vriezergedeelte ontdooien

(NO-FROST-producten)

Het ontdooien gebeurt automatisch.

ONDERHOUD EN REINIGING

Verlichting

Ledverlichting

Het product is uitgerust met **ledlampen**, neem contact op met de technische hulpdienst in geval van vervanging.

Vergeleken met traditionele gloeilampen gaan de **ledlampen** langer mee en zijn ze milieuvriendelijk.

Reinigen

OPMERKING:

- Verwijder **vóór** elke handeling de stekker uit het stopcontact om een elektrische schok te vermijden.
- Giet geen water rechtstreeks op de buitenste of binnenste delen van de koelkast. Dit kan leiden tot oxidatie en beschadiging van de elektrische isolatie.

BELANGRIJK:

Volg de volgende suggesties om het barsten van de binnenoppervlakken en plastic onderdelen te voorkomen:

- Wrijf voedselolie af die zich hecht aan de plastic onderdelen.
- De binnenkant, dichtingen en buitenkant kunnen worden gereinigd met een doek met warm water en bicarbonaat of een neutrale zeep. Gebruik geen oplosmiddelen, ammoniak, bleekmiddel of schuurmiddelen.
- Verwijder de accessoires, bijvoorbeeld de planken, uit de koelkast en uit de deur. Was ze met heet zeepwater. Spoel af en droog ze grondig.
- Aan de achterkant van het apparaat hoopt zich vaak stof op, dat met behulp van een stofzuiger kan worden verwijderd nadat u het apparaat hebt uitgeschakeld en de stekker uit het stopcontact hebt gehaald. Dit resulteert in een grotere energie-efficiëntie.

ENERGIEBESPARINGEN

Voor meer energiebesparingen, bevelen we het volgende aan:

- Installeer het apparaat uit de buurt van warmtebronnen, stel het niet bloot aan direct zonlicht en plaats het in een goed geventileerde ruimte.
- Vermijd warm voedsel in de koelkast te zetten om te voorkomen dat de interne temperatuur stijgt waardoor de compressor doorlopend blijft werken.
- Plaats niet te veel voedsel om een goede luchtcirculatie te garanderen.
- Ontdooi het apparaat als er ijsvorming is (raadpleeg **ONTDOOIEN**) om de koude-overdracht te vergemakkelijken.
- Als er geen stroom is, wordt aangeraden de koelkastdeur gesloten te houden.
- Open de deuren van het apparaat zo weinig mogelijk en houd ze zo kort mogelijk open.
- Vermijd de thermostaat op een te koude temperatuur in te stellen.
- Verwijder stof aan de achterkant van de koelkast (raadpleeg **REINIGING**).

LAWAAI VOORKOMEN

De koelkast maakt tijdens de werking geluiden die volkomen normaal zijn, zoals:

- **BROMMEN**; de compressor is in werking.
- **ROMMELEN, RITSELEN** en **SISSEN**; het koelmiddel stroomt door de buizen.
- **TIKKEN** en **KLIKKEN**; de compressor wordt uitgeschakeld.

Kleine maatregelen om de vibratiegeluiden te verminderen:

- **Houders die elkaar raken**: Vermijd contact tussen bakjes en glazen verpakkingen.
- **Lades, planken, bakken trillen**: Controleer de juiste installatie van de interne accessoires.

OPMERKING:

Het koelgas produceert geluid, zelfs als de compressor uit is; dit is geen defect, het is normaal.

Als u een klikkend geluid hoort in het apparaat, is dit normaal. Dit is het gevolg van uitzetting van de verschillende materialen.

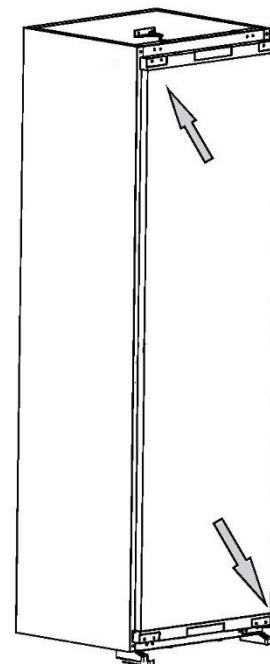
OMKEERBAARHEID VAN DE DEUR

De deuren van het apparaat kunnen omgekeerd worden zodat deze naar links of naar rechts openen, zoals gewenst.

OPMERKING:

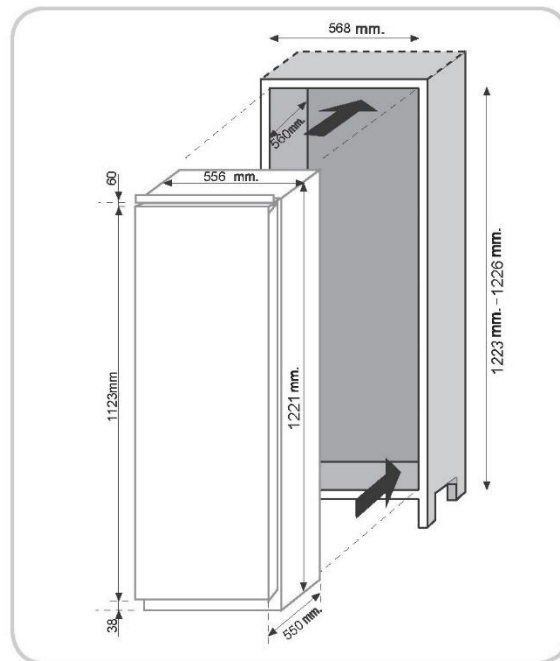
- Het omkeren van de deuren moet door bevoegd technisch personeel worden uitgevoerd.
- Omkeren van de deuren valt niet onder de garantie.

Scharnier





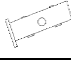



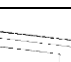

Scharnier

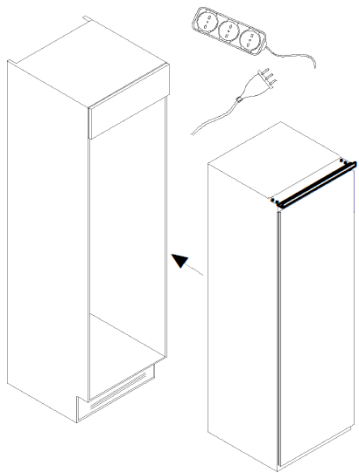
PRODUCTAFMETINGEN EN INBOUWCOMPARTIMENT



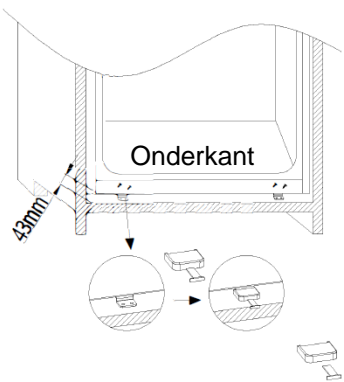
INSTALLATIE VAN HET APPARAAT IN DE KAST

1. Duw het apparaat in het houten meubel, het apparaat moet zoveel mogelijk naar links worden geplaatst.

Gereedschap en onderdelen	
	Afstandhouder voor scharnier A
	Afstandhouder voor scharnier B
	Scharnierafdekking
	Kruiskopschroef 3,9x12, T20 3,9x16, T20
	Moersleutel
	Linker afdekking voor bedieningspaneelsteun
	Rechter afdekking voor bedieningspaneelsteun
	Decoratielijst

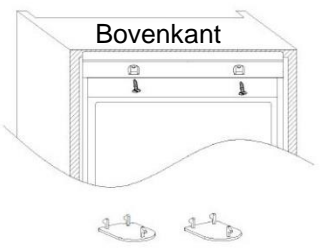


2. Pas de positie van het apparaat aan, schroef het bovenste en onderste deel van het product vast aan het meubel.



Bovenkant
Onderkant

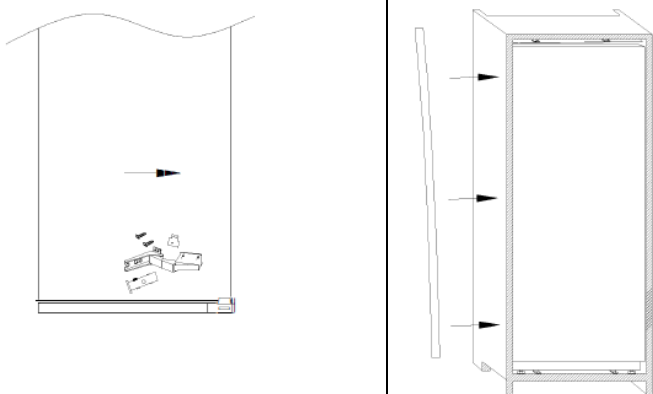
43mm



Bovenste scharnierafdekking

PS: Verwijder de 'staart' na bevestiging van de afdekking van het onderste deel.

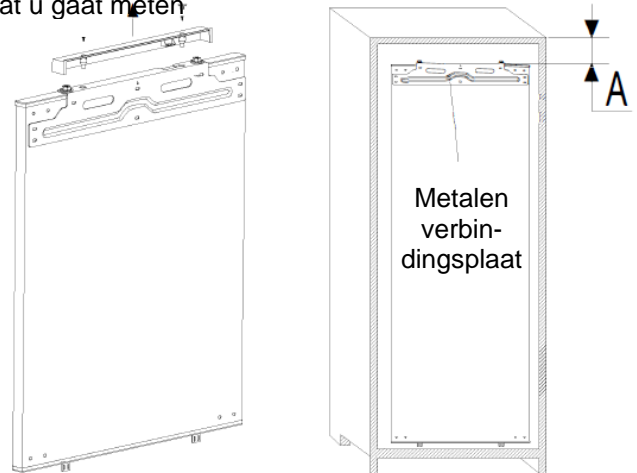
3. Bevestig het scharnier aan het meubel met een schroef en bevestig de decoratielijst aan de linkerkant van het product.



PS: Installeer de afstandhouder op het scharnier

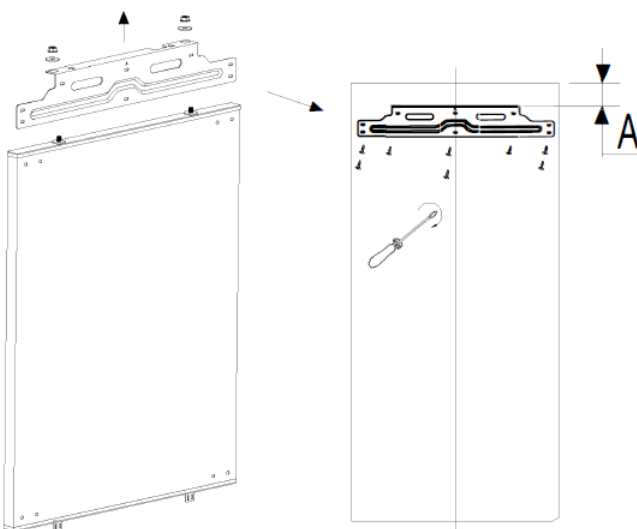
4. Meet de afstand van A.

Verwijder de afdekplaat voordat u gaat meten



Metalen verbindingssplaat

5. Verwijder de metalen verbindingssplaat en installeer de metalen verbindingssplaat op de houten deur.

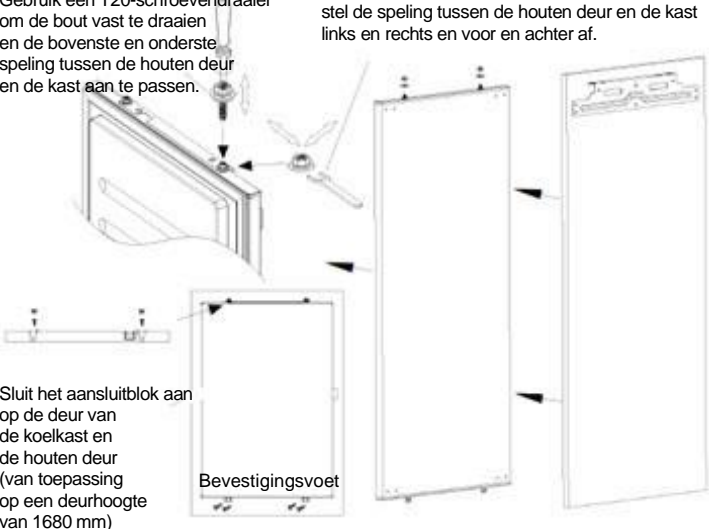


A

6. Volg de onderstaande stappen om de houten deur en de deur van de koelkast met elkaar te verbinden.

Gebruik een T20-schroevendraaier om de bout vast te draaien en de bovenste en onderste speling tussen de houten deur en de kast aan te passen.

Gebruik de nr. 13 sleutel om de moer af te stellen, stel de speling tussen de houten deur en de kast links en rechts en voor en achter af.



Bevestigingsvoet

Sluit het aansluitblok aan op de deur van de koelkast en de houten deur (van toepassing op een deurhoogte van 1680 mm)

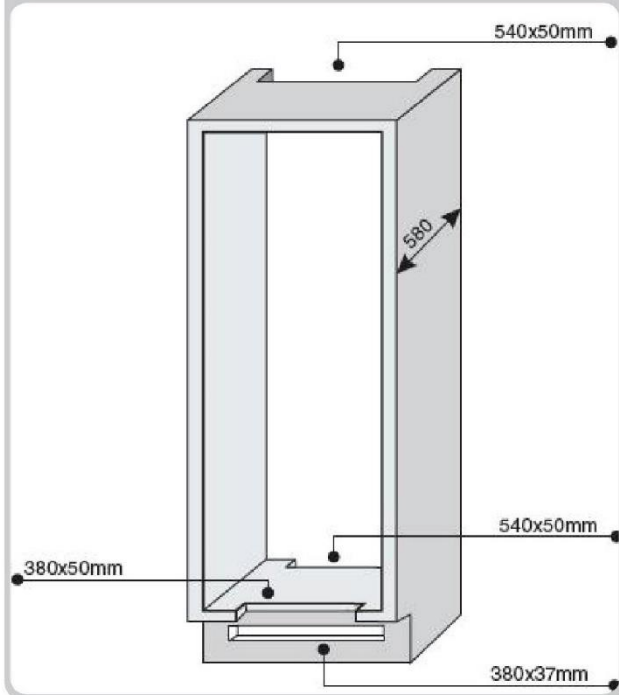
VOORZORGEN VOOR DE JUISTE WERKING

Plaats als het product eenmaal ingebouwd is de achterkant van de kast in contact met de wand om toegang tot het compressorcompartiment te voorkomen.

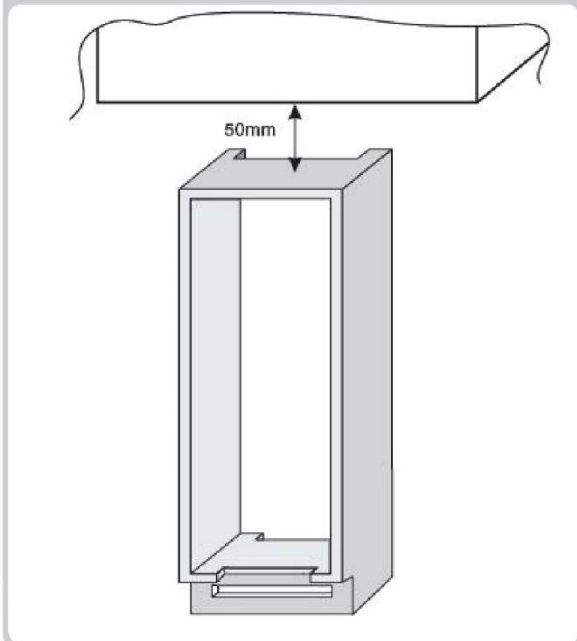
Opdat het product correct te laten werken, is het van essentieel belang voldoende luchtcirculatie toe te laten om de condensator achteraan het apparaat te laten afkoelen.

Daarom moet de inbouwkast uitgerust zijn met een achterafvoer, waarvan de bovenste opening niet geblokkeerd mag zijn en met een frontopening die afgedekt is door een ventilatierooster.

Afmetingen van de uitsparingen.



Ruimte nodig tussen het apparaat en het plafond.



GEBRUIK VAN HET APPARAAT OPSCHORTEN

Als het apparaat gedurende lange tijd niet wordt gebruikt:

- 1) Schakel het apparaat OFF (UIT) (raadpleeg 'Bediening').
- 2) Trek de stekker uit het stopcontact of verwijder de veiligheidsinrichting.
- 3) Maak het apparaat schoon.
- 4) Laat de deuren van het apparaat open staan.

PROBLEMEN OPLOSSEN

PROBLEEM	OORZAAK	OPLOSSING
De binnenverlichting gaat niet aan.	<ul style="list-style-type: none"> • Geen elektriciteit. • De deurschakelaar is geblokkeerd. 	<ul style="list-style-type: none"> • Het netsnoer zit niet goed in het stopcontact. • Controleer of het apparaat uitgeschakeld is (raadpleeg 'Temperatuurinstelling'). • Zorg ervoor dat er stroom aanwezig is in het huis. • Controleer of het actief is.
De koelkast en de vriezer koelen onvoldoende.	<ul style="list-style-type: none"> • De deuren zitten niet dicht. • De deuren worden vaak geopend. • Verkeerde temperatuurinstelling. • De koelkast en de vriezer zijn te vol. • De omgevingstemperatuur is te laag. • Geen elektrische stroom. 	<ul style="list-style-type: none"> • Controleer of de deur en rubber goed afsluiten. • Vermijd een tijdje het onnodig openen van de deuren. • Controleer de temperatuurinstelling en koel, indien mogelijk, nog meer (raadpleeg 'Temperatuurinstelling'). • Wacht tot de temperatuur van de koelkast of vriezer is gestabiliseerd. • Controleer of de omgevingstemperatuur in overeenkomst is met wat is aangegeven op het typeplaatje (raadpleeg 'Installatie'). • Het netsnoer zit niet goed in het stopcontact. • Controleer of het apparaat uitgeschakeld is (raadpleeg 'Temperatuurinstelling'). • Verzeker u ervan dat er stroom is in de woning.
Het voedsel in de koelkast bevroert.	<ul style="list-style-type: none"> • Verkeerde temperatuurinstelling. • Voedsel in contact met de achterwand. • Het invriezen van te veel vers voedsel kan een verlaging van de temperatuur van de koelkast veroorzaken. 	<ul style="list-style-type: none"> • Controleer de temperatuurinstelling (zie 'Temperatuurinstelling') en verlaag de temperatuurinstelling, indien mogelijk. • Verwijder het voedsel van de achterwand van de koelkast. • Overschrijd de maximale hoeveelheid in te vriezen voedsel niet (zie 'Invriezen').
De onderkant van het koelkastgedeelte is nat of er zijn druppels aanwezig.	<ul style="list-style-type: none"> • De afvoerbus zou verstopt kunnen zijn. 	<ul style="list-style-type: none"> • Maak de afvoerbus schoon met een stok of iets dergelijks zodat het water weg kan lopen.
Aanwezigheid van druppels of water op de achterwand van de koelkast.	<ul style="list-style-type: none"> • Normale werking van de koelkast. 	<ul style="list-style-type: none"> • Het is geen defect (zie 'Ontdooien').
Aanwezigheid van water in de groentelade.	<ul style="list-style-type: none"> • Gebrek aan luchtcirculatie. • Groenten en fruit met te veel vocht. 	<ul style="list-style-type: none"> • Controleer of er geen voedsel op de plank van het groentevak is geplaatst dat de luchtcirculatie verhindert. • Verpak het fruit en de groenten in plastic materialen zoals bijvoorbeeld folie, zakjes of bakjes.
De motor draait voortdurend.	<ul style="list-style-type: none"> • De deuren zitten niet dicht. • De deuren worden vaak geopend. • De omgevingstemperatuur is heel hoog. • Dikte vorstlaag meer dan 3 mm. 	<ul style="list-style-type: none"> • Zorg dat de deuren dicht zijn is en controleer of de rubbers goed afsluiten. • Vermijd een tijdje het onnodig openen van de deuren. • Controleer of de omgevingstemperatuur overeenkomt met de specificaties op het typeplaatje (raadpleeg 'Installatie'). • Stel het display/de thermostaat in op een warmere temperatuur. • Ontdooi het apparaat (raadpleeg 'Ontdooien').
Het ingevroren voedsel is aan het ontdooien.	<ul style="list-style-type: none"> • Het bereik van de omgevingstemperatuur is lager dan de klimaatklasse van het product. De compressor start zelden. • De deur van de vriezer zit niet dicht. 	<ul style="list-style-type: none"> • Verplaats het apparaat naar een warmere ruimte of verwarm de kamer. • Zorg ervoor dat de deur dicht is en dat het rubber goed afsluit.
Het wifilampje knippert 3 sec aan en 1 sec uit.	<ul style="list-style-type: none"> • De router staat uit. • Geen verbinding. 	<ul style="list-style-type: none"> • Schakel de router in. • Reset het product (zie 'Wifi').

ALS U HET PROBLEEM NIET HEBT OPGELOST, NEEM DAN CONTACT OP MET HET SERVICECENTRUM. VERMELD DE AARD VAN DE STORING EN DE INFORMATIE OP HET TYPEPLAATJE BINNEN IN HET KOELGEDEELTE:

- Het apparaatmodel.
- Het serienummer.

INFORMAZIONI PER LA SICUREZZA	42
INSTALLAZIONE	42
USO	42
CONSERVAZIONE.....	42
CONGELAMENTO	42
SBRINAMENTO	42
PULIZIA E MANUTENZIONE.....	42
RISPARMIO ENERGETICO	42
RIDUZIONE DELLA RUMOROSITÀ.....	42
SPORTELLI REVERSIBILI	42
DIMENSIONI DEL PRODOTTO E DEL VANO DI INCASSO.....	42
INSTALLAZIONE DELL'ELETTRODOMESTICO A INCASSO.....	42
PRECAUZIONI PER L'USO CORRETTO	42
INUTILIZZO TEMPORANEO DELL'ELETTRODOMESTICO	42
SOLUZIONE DEI PROBLEMI	42

Grazie per aver acquistato questo prodotto.

Prima di utilizzare il frigorifero, leggere attentamente questo manuale di istruzioni per ottimizzare il funzionamento dell'elettrodomestico. Conservare tutta la documentazione per future consultazioni o per altri proprietari. Questo prodotto è destinato esclusivamente all'uso domestico o applicazioni simili, ad esempio:

- le zone cucina per il personale di negozi, uffici e altri ambienti lavorativi,
- aziende agricole, clienti di hotel e motel e altri ambienti residenziali,
- ad es. bed and breakfast (B&B),
- servizi di catering e altri usi diversi dalla vendita al dettaglio.

Questo elettrodomestico deve essere utilizzato esclusivamente per la conservazione di alimenti. Altri utilizzi sono pericolosi e il produttore in questi casi non sarà responsabile. Si raccomanda di consultare le condizioni della garanzia.

INFORMAZIONI PER LA SICUREZZA

Il frigorifero contiene un gas refrigerante (isobutano, R600a) e un gas isolante (ciclopentano); entrambi i gas sono altamente compatibili con l'ambiente ma sono infiammabili.

Per evitare rischi attenersi scrupolosamente alle seguenti istruzioni:

- Prima di qualunque intervento, scollegare il cavo di alimentazione dalla presa elettrica.
 - L'impianto di refrigerazione collocato nella parte posteriore e nella parte interna del frigorifero contiene refrigerante. per cui occorre particolare attenzione a non danneggiare i tubi.
 - In caso di perdita nell'impianto di refrigerazione, non toccare la presa di corrente ed evitare l'uso di fiamme libere. Aprire la finestra e arieggiare l'ambiente. Rivolgersi al centro assistenza per chiedere la riparazione.
 - Non adoperare coltelli o oggetti appuntiti per rimuovere brina o ghiaccio. Il circuito del refrigerante potrebbe danneggiarsi ed eventuali fuoriuscite potrebbero provocare danni oculari o incendi.
 - Non installare l'elettrodomestico in luoghi umidi, unti o polverosi, e non esporlo all'acqua e alla luce solare diretta.
 - Non installare l'elettrodomestico accanto a caloriferi o materiali infiammabili.
 - Non adoperare adattatori né cavi di prolunga.
 - Non tirare o piegare eccessivamente il cavo di alimentazione e non toccare la spina con le mani umide.
 - Per scongiurare il rischio di incendi o scosse elettriche, non danneggiare la spina e/o il cavo di alimentazione.
 - Tenere pulita la presa di corrente, in quanto l'eccesso di residui di polvere può causare incendi.
 - Non adoperare dispositivi meccanici o altre apparecchiature per accelerare il processo di sbrinamento.
 - Evitare nel modo più assoluto l'uso di fiamme libere o apparecchiature elettriche (ad es. stufe, pulitrici a vapore, candele, lampade a olio e altri oggetti simili) per accelerare lo sbrinamento.
 - Non adoperare né conservare spray infiammabili (ad esempio bombolette di vernice spray) accanto al frigorifero, in quanto potrebbero svilupparsi incendi o esplosioni.
 - Non adoperare apparecchiature elettriche all'interno dei comparti per la conservazione degli alimenti, a meno che non siano del tipo consigliato dal produttore.
 - Non collocare o conservare materiali infiammabili o estremamente volatili (ad es. etere, benzina, GPL, propano, bombolette per aerosol, adesivi, alcool puro), in quanto possono provocare esplosioni.
 - Non conservare medicinali o materiali di ricerca nel frigorifero. Non conservare medicinali o materiali di ricerca che richiedano un controllo rigido della temperatura di conservazione, in quanto potrebbero deteriorarsi e provocare reazioni incontrollate e pericolose.
 - Tenere libere da ostruzioni le aperture di ventilazione sull'involucro del frigorifero.
 - Non collocare oggetti e/o contenitori pieni d'acqua sopra l'elettrodomestico.
 - Non eseguire riparazioni del frigorifero. Tutti gli interventi devono essere effettuati esclusivamente da personale qualificato.
 - Questo elettrodomestico può essere utilizzato dai bambini di almeno 8 anni, da persone con ridotte capacità fisiche, sensoriali o mentali e da persone inesperte solo sotto supervisione o se hanno appreso le modalità di utilizzo sicuro dell'elettrodomestico e sono consapevoli dei relativi rischi.
- Impedire ai bambini di giocare con l'elettrodomestico. La pulizia e la manutenzione non devono essere effettuate dai bambini senza supervisione.

Ruotando la manopola fino alla fine in senso antiorario, si sente uno scatto indicante lo spegnimento del prodotto.

Dopo l'installazione dell'elettrodomestico, il cavo elettrico e la presa di corrente devono essere facilmente accessibili.

La presa deve essere compatibile con la spina dell'elettrodomestico. In caso contrario, chiedere a un tecnico autorizzato di sostituire la spina; non adoperare prolunghe e/o prese multiple.

Non toccare le parti interne o gli alimenti congelati con le mani bagnate o umide per evitare bruciature.

Smaltimento del vecchio elettrodomestico



Il prodotto deve essere smaltito correttamente per evitare potenziali danni all'ambiente e alla salute umana causati dallo smaltimento inappropriato del prodotto al termine del suo ciclo di vita.

Il corretto smaltimento dell'elettrodomestico consente di recuperare preziose materie prime!

Sull'unità è riportato il simbolo di conformità alla direttiva europea 2012/19/CE sullo smaltimento di apparecchiature elettriche ed elettroniche di scarto (WEEE). Il simbolo sul prodotto indica che questo elettrodomestico non può essere gestito come un normale rifiuto domestico, ma deve essere consegnato al punto di raccolta più vicino per il riciclo delle apparecchiature elettriche ed elettroniche.

Lo smaltimento deve essere effettuato in conformità alle normative locali in materia di smaltimento dei rifiuti.

Per informazioni più dettagliate sulla gestione, sul recupero e sul riciclo del prodotto, rivolgersi all'ufficio pubblico competente, alla società responsabile dello smaltimento dei rifiuti urbani o al rivenditore da cui è stato acquistato l'elettrodomestico.

Tagliare e smaltire il cavo di alimentazione con la spina.

Non danneggiare i tubi prima dello smaltimento, in quanto contengono gas refrigerante.

Per lo smaltimento dell'imballaggio, attenersi alle le normative locali.

Le apparecchiature elettriche ed elettroniche di scarto contengono sostanze inquinanti (pericolose per l'ambiente) e componenti riutilizzabili.

Le apparecchiature elettriche ed elettroniche di scarto devono essere sottoposte a trattamenti specifici per rimuovere e smaltire adeguatamente tutte le sostanze inquinanti e per recuperare e riciclare i materiali.

Osservando alcune regole basilari, tutti possono contribuire a evitare danni ambientali causati dalle apparecchiature elettriche ed elettroniche di scarto:

- Le apparecchiature elettriche ed elettroniche di scarto non devono essere gestite come rifiuti domestici.

- Le apparecchiature elettriche ed elettroniche di scarto devono essere consegnate negli appositi punti di raccolta gestiti dagli enti comunali o da aziende regolarmente registrate. In molti paesi è prevista la raccolta a domicilio delle apparecchiature elettriche ed elettroniche di scarto di dimensioni notevoli.

- Quando si acquista un nuovo elettrodomestico, quello vecchio può essere restituito al rivenditore che è tenuto a prelevarlo gratuitamente alla consegna di quello nuovo, purché sia di tipo equivalente e abbia le stesse funzioni di quello fornito.

Conformità

CE Le parti di questo elettrodomestico destinate al contatto con prodotti alimentari sono conformi ai requisiti della norma CE 1935/2004. L'apparecchiatura è conforme alle direttive europee 2004/1 08/CE, 2006/95CE e successive modifiche.

INSTALLAZIONE

AVVERTENZE:

- Non installare l'elettrodomestico in luoghi umidi, in quanto l'isolamento potrebbe diminuire e potrebbero verificarsi perdite.
- Sulle parti esterne del prodotto, inoltre, potrebbe accumularsi condensa.
- Non collocare l'elettrodomestico all'aperto o in prossimità di fonti di calore e non esporlo alla luce solare diretta.

L'elettrodomestico funziona correttamente nei seguenti intervalli della temperatura ambiente:

Da +10 a +32 °C per la classe climatica SN

da +16 a +32 °C per la classe climatica N

da +16 a +38 °C per la classe climatica ST

da +16 a +43 °C per la classe climatica T

(vedere la targhetta del prodotto)

- Non collocare contenitori pieni di liquidi sopra l'elettrodomestico.
- Dopo la collocazione dell'elettrodomestico nella sede definitiva, attendere almeno 3 ore prima di metterlo in funzione.

Collegamento elettrico

Dopo il trasporto, collocare l'elettrodomestico in posizione verticale e attendere almeno 2-3 ore prima di collegarlo alla rete elettrica. Prima di inserire la spina nella presa elettrica, effettuare le seguenti verifiche:

- Controllare se la presa è dotata di messa a terra conforme alle norme.
- Controllare se presa può sostenere il carico elettrico massimo indicato sulla targhetta del frigorifero.
- Controllare se tensione elettrica rientra nelle specifiche indicate sulla targhetta del frigorifero.
- Non piegare né schiacciare il cavo.
- Il cavo deve essere controllato regolarmente e deve essere sostituito solo da un tecnico autorizzato.
- Il produttore declina qualunque responsabilità derivante dall'inosservanza di queste misure di sicurezza.

Avvio dell'elettrodomestico

Rimuovere tutti gli imballi presenti all'interno dell'elettrodomestico e pulirlo con acqua e bicarbonato di sodio o sapone neutro.

Dopo l'installazione, attendere 2-3 ore che la temperatura del frigorifero/ congelatore si stabilizzi prima di collocarvi alimenti freschi o congelati.

Se il cavo di alimentazione si scollega, attendere almeno cinque minuti prima di riavviare il frigorifero/congelatore. A questo punto l'elettrodomestico è pronto all'uso.

USO

Mettere gli alimenti nell'elettrodomestico

Dopo essere stato in funzione per un periodo di tempo, il frigorifero si è sufficientemente raffreddato; a questo punto è possibile inserire gli alimenti e iniziare a utilizzare l'elettrodomestico.

Istruzioni per l'uso



Fig. 1

1. Quando l'elettrodomestico viene collegato all'alimentazione per la prima volta o ricollegato dopo averlo scollegato, il frigorifero funzionerà alle impostazioni di temperatura: 5 C per frigorifero, 2 C per sottobanco; se si desidera regolare manualmente la temperatura o le funzioni, tenere premuto il pulsante per 3 secondi per sbloccare e, se non viene eseguita alcuna operazione dopo 30 secondi, il pannello di controllo si bloccherà nuovamente.
2. Regolazione della temperatura del vano frigo: Gli utenti possono regolare la temperatura tra "2, 3, 4, 5, 6, 7, 8 e fast cooling" Quando il pannello di controllo è sbloccato, premere per scegliere il comparto frigorifero (l'indicatore nell'angolo in alto a sinistra si illumina) Premere per scegliere la temperatura richiesta. Se si sceglie "fast cooling" (indicatore con la goccia d'acqua sul lato destro del display si illumina), il comparto frigorifero funziona a 2°C ininterrottamente per 24 ore e il raffreddamento rapido viene interrotto dopo 24 ore; a questo punto il comparto frigorifero funziona secondo la precedente impostazione della temperatura.
3. Regolazione della temperatura del sottobanco: Gli utenti possono regolare la temperatura tra "0, 1, 2, 3, 4, 5". Quando il pannello di controllo è sbloccato, premere per scegliere il comparto frigorifero (l'indicatore nell'angolo in basso a sinistra si accende). Premere per scegliere la temperatura richiesta.
4. Accensione/spegnimento: Tenere premuto il pulsante per 3 secondi per accendere/spegnere l'elettrodomestico.

CONSERVAZIONE

• Per preservare il sapore, le proprietà nutritive e la freschezza degli alimenti, è consigliabile conservarli nel comparto frigorifero come mostrato in Fig. 4, avvolgendoli in fogli di alluminio o di plastica o collocandoli in adeguati contenitori chiusi per evitare la contaminazione reciproca.

Zona frigorifero

Frutta e verdura

• Per ridurre la perdita di liquidi della frutta e della verdura, conservare questi prodotti avvolti in materiali plastici, ad esempio pellicole o sacchetti, e collocarli nell'area destinata alla frutta e verdura. In questo modo si evita che si deteriorino rapidamente.

ZONA FRIGO

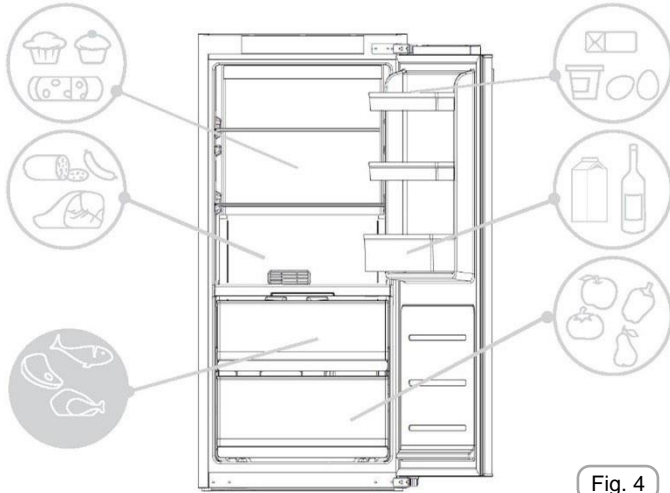


Fig. 4

Indicatore della temperatura nella zona più fredda

(solo in alcuni modelli)

Alcuni modelli sono dotati di un indicatore della temperatura nella zona più fredda del comparto frigorifero per controllare la temperatura media. Questo simbolo indica la zona più fredda del frigorifero (Fig. 5).

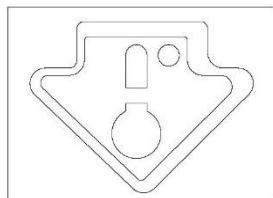


Fig. 4

Accertarsi che sia chiaramente visibile la parola OK sull'indicatore della temperatura (Fig. 6). Se non appare OK, la temperatura è troppo alta, per cui è opportuno impostare una temperatura più fredda e attendere circa 10 ore. Controllare nuovamente l'indicatore: se necessario, effettuare una nuova regolazione.

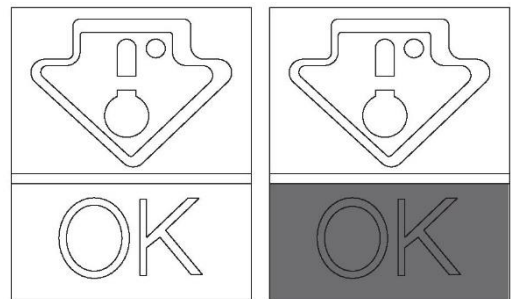


Fig. 6

NOTA:

Se il frigorifero contiene grandi quantità di alimenti o se lo sportello viene aperto spesso, è normale che l'indicatore non indichi OK. Attendere almeno 10 ore prima di regolare il termostato su un valore più alto.

Zona congelatore

Consultare la tabella seguente per i vari comparti *******

Il processo di congelamento può avvenire solo nei comparti *******

2 – 3 MESI			
4 – 6 MESI			
6 – 8 MESI			
10 – 12 MESI			

Consigli pratici

Collocare gli alimenti sui ripiani in modo omogeneo per consentire una corretta circolazione dell'aria e un adeguato raffreddamento.

- Evitare il contatto tra gli alimenti e le pareti posteriori del comparto frigorifero.
- Non introdurre cibi caldi perché possono causare il deterioramento degli alimenti presenti e aumentare il consumo energetico.
- Rimuovere le confezioni degli alimenti prima di inserirli nel frigo.
- Non inserire piatti o altri contenitori senza averli prima lavati.
- Non ostruire con gli alimenti le aperture di ventilazione dell'aria fredda.
- Per una corretta circolazione dell'aria, non coprire il ripiano in vetro.
- Non conservare bottiglie nel comparto congelatore in quanto il congelamento del loro contenuto potrebbe farle scoppiare.
- In caso di blackout prolungato, tenere il più possibile chiusi gli sportelli.
- L'installazione dell'elettrodomestico in luoghi caldi e umidi, l'apertura frequente degli sportelli e l'introduzione di grandi quantità di alimenti possono causare la formazione di condensa e ridurre il rendimento del frigorifero.
- Per ridurre i consumi energetici, non lasciare aperti gli sportelli e non aprirli con eccessiva frequenza.

CONGELAMENTO (solo in alcuni modelli)

- Gli alimenti devono essere freschi.
- Per congelare rapidamente gli alimenti, introdurne piccole quantità per volta. Non superare la quantità massima indicata sulla targhetta.
- Durante il congelamento, non aprire lo sportello del congelatore.
- Il cibo deve essere sigillato ermeticamente.
- Separare il cibo da congelare da quello già congelato.
- Etichettare sacchetti o contenitori per tenere un inventario degli alimenti congelati.
- Una volta scongelato un alimento, non ricongelarlo e consumarlo in breve tempo.

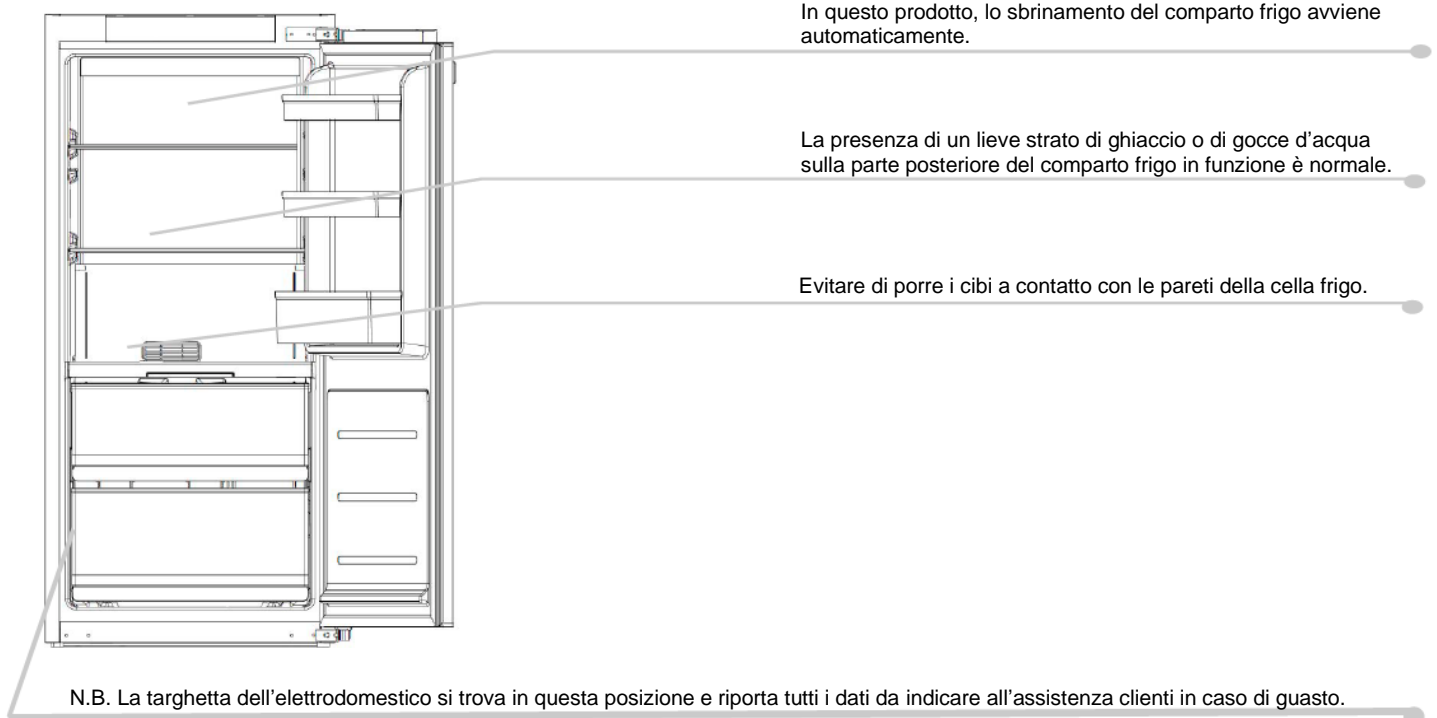
SBRINAMENTO

Sbrinamento del comparto frigorifero

Durante il normale funzionamento, il frigorifero si sbrina automaticamente. Non è necessario eliminare la brina o asciugare le gocce d'acqua sulla parete posteriore (a seconda del funzionamento). L'acqua viene convogliata sulla parte posteriore tramite l'apposito foro di drenaggio, quindi evapora con il calore del compressore.

- Mantenere pulito il tubo di drenaggio nel comparto frigorifero in modo che non si riempia d'acqua.

(Figura 8)



Importante: se la temperatura ambiente è elevata, l'elettrodomestico potrebbe rimanere in funzione continuamente producendo un accumulo eccessivo di ghiaccio sulla parete interna del frigorifero. In questo caso, regolare il termostato su un'impostazione più calda (6-8°C).

La maggior parte delle configurazioni a risparmio energetico richiede il posizionamento di cassetti, vani alimenti e ripiani nel prodotto; fare riferimento alle immagini precedenti.

Sbrinamento del comparto congelatore

(prodotti statici senza tecnologia NO-FROST)

Quando lo strato di ghiaccio nel comparto congelatore è superiore a 3 mm il consumo energetico aumenta, per cui è opportuno sbrinarlo.

- 1) Spegnerne l'apparecchio tenendo premuto il pulsante di accensione per 3 secondi
- 2) Staccare la spina di alimentazione.
- 3) Rimuovere gli alimenti congelati e riporli temporaneamente in un luogo fresco.
- 4) Per accelerare lo sbrinamento, lasciare aperto lo sportello del congelatore.
- 5) Raccogliere l'acqua che si accumula sul fondo.
- 6) Asciugare il congelatore.
- 7) Collegare nuovamente il cavo di alimentazione e impostare i valori desiderati.
- 8) Attendere qualche istante e introdurre nuovamente gli alimenti congelati.

AVVERTENZA:

Evitare nel modo più assoluto l'uso di fiamme libere o apparecchiature elettriche (ad es. stufe, pulitrici a vapore, candele, lampade a olio e altri oggetti simili) per accelerare lo sbrinamento.

Non rimuovere brina o ghiaccio presenti con coltelli o oggetti appuntiti. Questi possono danneggiare il circuito del refrigerante, le cui fuoriuscite potrebbero provocare un incendio o danni oculari.

Sbrinamento del comparto congelatore

(prodotti NO-FROST)

Lo sbrinamento è automatico.

PULIZIA E MANUTENZIONE

Illuminazione

Illuminazione a LED

Il prodotto è dotato di luci LED; per un'eventuale sostituzione, contattare il servizio di assistenza tecnica.

Rispetto alle lampadine tradizionali, i LED hanno una durata maggiore e sono meno dannosi per l'ambiente.

Pulizia

AVVISO:

- Prima di qualunque intervento, staccare la spina del frigorifero dalla presa per evitare scosse elettriche.
- Non versare acqua sulle parti esterne e interne del frigorifero, in quanto potrebbe causare ossidazione e compromettere l'isolamento elettrico.

IMPORTANTE:

Per evitare incrinature delle superfici interne e delle parti in plastica, attenersi alle seguenti raccomandazioni:

- Pulire il grasso degli alimenti depositato sui componenti in plastica.
- Le parti interne, le guarnizioni e le parti esterne possono essere pulite con un panno e acqua tiepida con bicarbonato di sodio o sapone neutro. Non adoperare solventi, ammoniaca, candeggina o prodotti abrasivi.
- Rimuovere gli accessori (ad esempio i ripiani) dal frigorifero e dallo sportello. Lavare con acqua calda saponata. Sciacquare e asciugare perfettamente.
- La parte posteriore dell'elettrodomestico è incline all'accumulo di polvere che può essere rimossa con un aspirapolvere dopo aver staccato la spina dell'elettrodomestico dalla presa. L'eliminazione della polvere incrementa l'efficienza energetica.

RISPARMIO ENERGETICO

Per risparmiare energia, attenersi alle seguenti raccomandazioni:

- Installare l'elettrodomestico lontano da fonti di calore, non esposto alla luce solare diretta e in un ambiente ben ventilato.
- Non introdurre alimenti caldi nel frigorifero per evitare l'aumento della temperatura interna e il funzionamento continuo del compressore.
- Per garantire un'adeguata circolazione dell'aria, non introdurre quantità eccessive di alimenti.
- In caso di accumulo di ghiaccio, sbrinare l'elettrodomestico (vedere SBRINAMENTO) per agevolare il trasferimento del freddo.
- In caso di blackout, tenere chiuso il più possibile lo sportello del frigorifero.
- Aprire o tenere aperti gli sportelli dell'elettrodomestico per il minor tempo possibile.
- Evitare di regolare il termostato su una temperatura troppo fredda.
- Rimuovere la polvere accumulata sulla parte posteriore dell'elettrodomestico (vedere PULIZIA).

RIDUZIONE DELLA RUMOROSITÀ

Durante il funzionamento il frigorifero emette rumori del tutto normali, ad esempio:

- **RONZIO**, indicante che il compressore è in funzione.
- **BRONTOLII, FRUSCII e SIBILI**, indicanti il flusso del refrigerante nei tubi.
- **TICCHETTI e SCATTI**, indicanti che il compressore ha smesso di funzionare.

Per ridurre i rumori delle vibrazioni, attenersi ai seguenti suggerimenti:

- **Contenitori a contatto tra loro:** Evitare il contatto tra contenitori e recipienti di vetro.
- **Vibrazioni di cassette, ripiani e contenitori:** accertarsi che gli accessori interni siano stati installati correttamente.

NOTA:

Il gas refrigerante è udibile anche quando il compressore non è in funzione; non è un difetto ma una condizione di normalità.

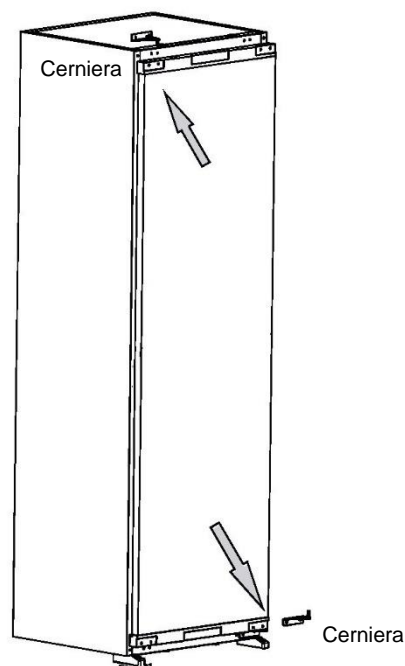
Se si avverte uno scatto all'interno dell'elettrodomestico, è un normale rumore dovuto all'espansione dei vari materiali.

SPORTELLO REVERSIBILE

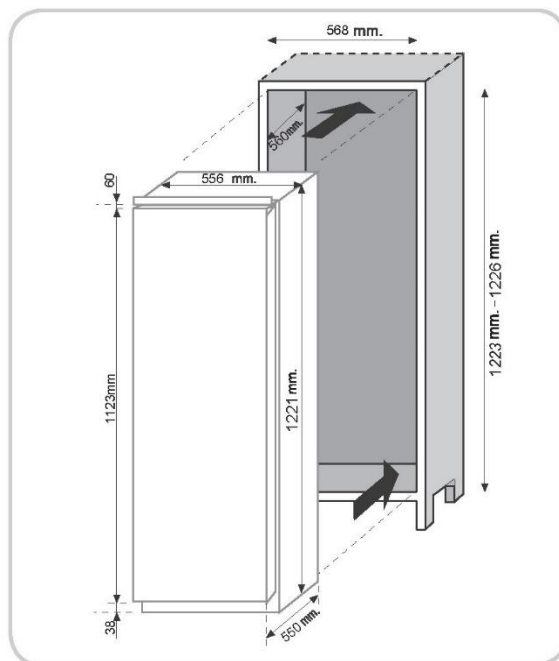
Gli sportelli dell'elettrodomestico possono essere invertiti in modo che si aprano a destra o a sinistra, a seconda delle esigenze.

NOTA:

- L'inversione degli sportelli deve essere effettuata solo da personale tecnico.
- L'inversione degli sportelli non è coperta dalla garanzia.





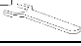





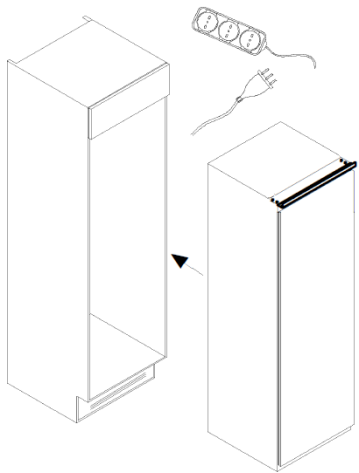
DIMENSIONI DEL PRODOTTO E DEL VANO DI INCASSO



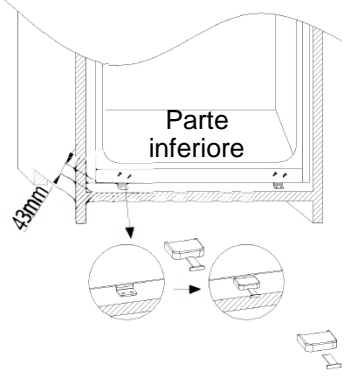
INSTALLAZIONE DELL'ELETTRODOMESTICO A INCASSO

1. Spingere l'elettrodomestico nel mobile in legno, fino a farlo avvicinare il più possibile al lato sinistro del mobile.

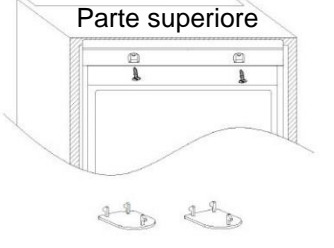
Strumenti e parti	
	Distanziale per cerniera A
	Distanziale per cerniera B
	Coperchio della cerniera
	Vite testa a croce 3,9x12, T20 3,9x16, T20
	Chiave inglese
	Copertura sinistra per pannello di controllo-distanziale
	Copertura destra per pannello di controllo-distanziale
	Striscia decorativa



2. Regolare la posizione dell'elettrodomestico, avvitare la parte superiore e inferiore del prodotto sul mobile



43mm

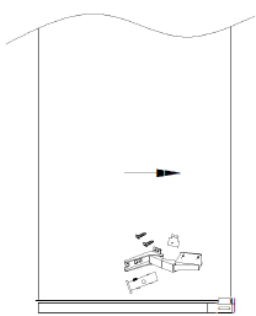


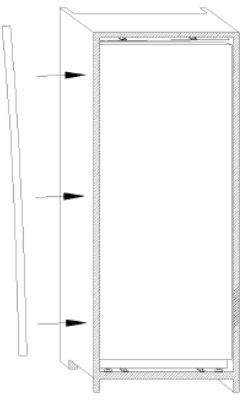
Parte superiore

Copertura cerniera superiore

PS: Rimuovere la parte terminale dopo aver fissato la copertura della parte inferiore.

3. Fissare la cerniera sul mobile tramite vite, attaccare la striscia decorativa sul lato sinistro del prodotto.

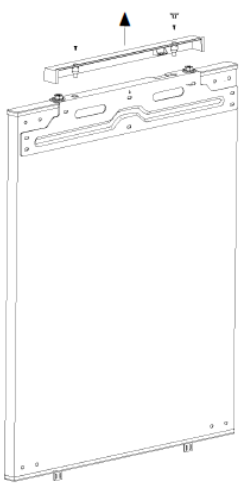




PS: Installare il distanziale sulla cerniera

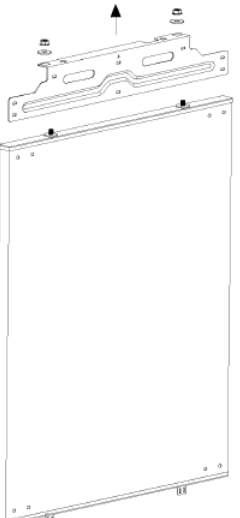
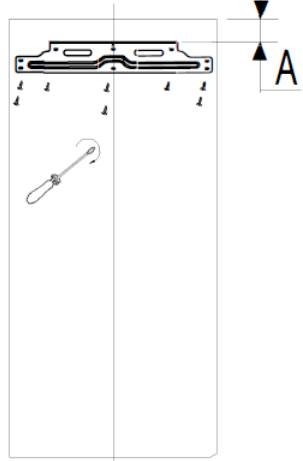
4. Misurare la dimensione di A

Rimuovere la copertura del rivestimento prima di misurare




piastra metallica di collegamento

5. Rimuovere la piastra metallica di collegamento e installare la piastra metallica sullo sportello di legno

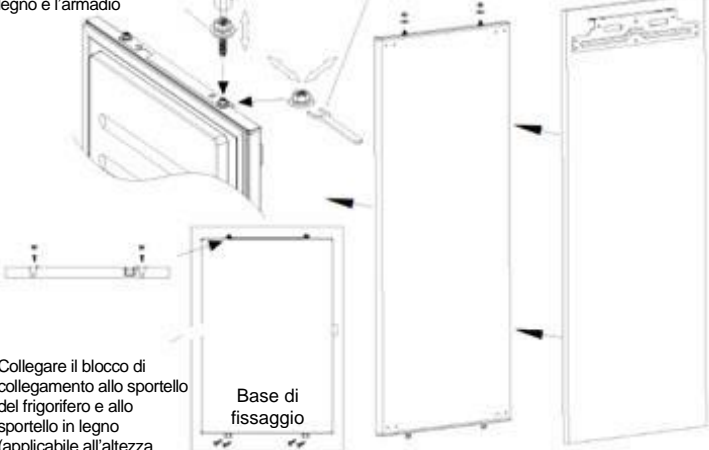



A

6. Attenersi ai passaggi che seguono per installare assieme lo sportello di legno e lo sportello del frigorifero

Utilizzare un cacciavite T20 per serrare il bullone e regolare la distanza superiore e inferiore tra lo sportello di legno e l'armadio

Utilizzare la chiave n. 13 per regolare il dado, regolare il gioco sinistro e destro e anteriore e posteriore tra lo sportello porta di legno e l'armadio



Collegare il blocco di collegamento allo sportello del frigorifero e allo sportello in legno (applicabile all'altezza dello sportello di 1680 mm)

Base di fissaggio

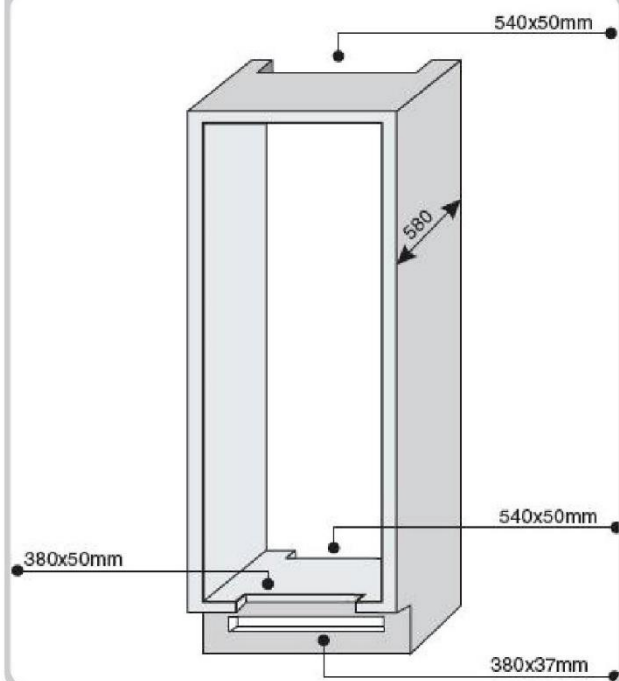
PRECAUZIONI PER L'USO CORRETTO

Una volta incassato il prodotto, collocare la parte posteriore della colonna a contatto con la parete in modo da impedire l'accesso al vano compressore.

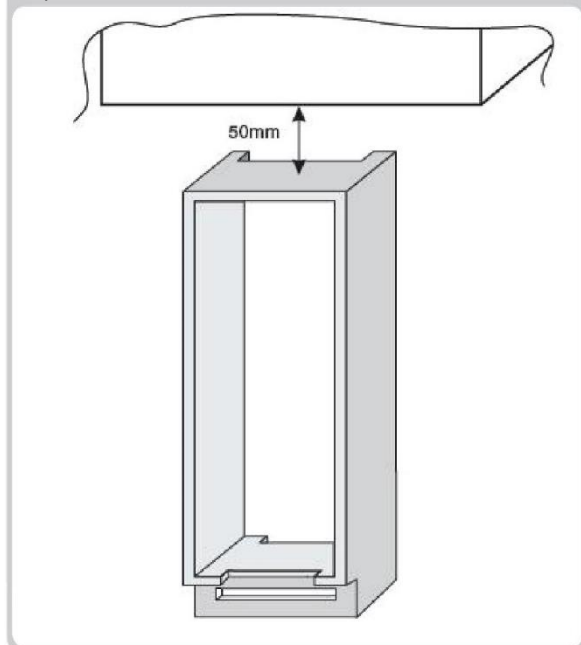
Per il corretto funzionamento del prodotto è necessaria un'adeguata circolazione dell'aria per raffreddare il condensatore collocato sulla parte posteriore dell'elettrodomestico.

A tal fine, la colonna deve essere dotata di camino posteriore la cui apertura deve essere libera e la cui feritoia deve essere coperta da una griglia di ventilazione.

Dimensioni dei ritagli dell'unità.



Spazio da lasciare tra unità e soffitto.



INUTILIZZO TEMPORANEO DELL'ELETTRODOMESTICO

Se l'elettrodomestico rimane inutilizzato per molto tempo:

- 1) Spegnerne l'elettrodomestico (vedere Uso).
- 2) Estrarre la spina o rimuovere il dispositivo di sicurezza.
- 3) Pulire l'elettrodomestico.
- 4) Lasciare aperti gli sportelli dell'elettrodomestico.

SOLUZIONE DEI PROBLEMI

PROBLEMA	CAUSA	SOLUZIONE
Le luci per l'illuminazione interna non si accendono.	<ul style="list-style-type: none"> • Assenza di energia elettrica. • L'interruttore degli sportelli è bloccato. 	<ul style="list-style-type: none"> • La spina del cavo di alimentazione non è inserita correttamente. • Controllare se l'elettrodomestico è spento (vedere Regolazione della temperatura). • Controllare se in casa è mancata la corrente. • Controllare se l'elettrodomestico è acceso.
Frigorifero e congelatore non raffreddano sufficientemente.	<ul style="list-style-type: none"> • Gli sportelli non sono chiusi. • Gli sportelli vengono aperti frequentemente. • Impostazione errata della temperatura. • Il frigorifero e il congelatore sono troppo pieni. • La temperatura ambiente è troppo bassa. • Assenza di energia elettrica. 	<ul style="list-style-type: none"> • Accertarsi che lo sportello e le guarnizioni garantiscano una chiusura corretta. • Evitare di lasciare inutilmente gli sportelli aperti per troppo tempo. • Controllare l'impostazione della temperatura e diminuirla, se possibile (vedere Regolazione della temperatura) • Attendere che la temperatura del frigorifero o del congelatore si stabilizzi. • Accertarsi che la temperatura ambiente sia conforme alle specifiche riportate sulla targhetta (vedere Installazione). • La spina del cavo di alimentazione non è inserita correttamente. • Controllare se l'elettrodomestico è spento (vedere Regolazione della temperatura) • Controllare se in casa è mancata la corrente.
Il cibo nel frigorifero si congela.	<ul style="list-style-type: none"> • Impostazione errata della temperatura. • Alimenti a contatto con la parete posteriore. • Il congelamento di una quantità eccessiva di cibo fresco causa l'abbassamento della temperatura del frigorifero. 	<ul style="list-style-type: none"> • Controllare l'impostazione della temperatura (vedere Regolazione della temperatura) e diminuirla, se possibile. • Staccare gli alimenti dalla parete posteriore del frigorifero. • Non superare la quantità massima di alimenti da congelare (vedere Congelamento).
La parte inferiore del comparto frigo è umida o sono presenti goccioline.	<ul style="list-style-type: none"> • Il tubo di drenaggio potrebbe essere intasato. 	<ul style="list-style-type: none"> • Pulire il tubo di drenaggio con un bastoncino o un oggetto simile per consentire il drenaggio dell'acqua.
Presenza di gocce o acqua sulla parete posteriore del frigorifero.	<ul style="list-style-type: none"> • Funzionamento normale del frigorifero. 	<ul style="list-style-type: none"> • Non è un difetto (vedere Sbrinamento).
Presenza di acqua nel cassetto della frutta.	<ul style="list-style-type: none"> • Circolazione d'aria assente. • Frutta e verdura contengono troppa umidità. 	<ul style="list-style-type: none"> • Accertarsi che sul ripiano in vetro non siano collocati alimenti che impediscano la circolazione dell'aria. • Avvolgere la frutta e la verdura in materiali plastici, ad esempio pellicole, sacchetti o contenitori.
Il motore rimane continuamente in funzione.	<ul style="list-style-type: none"> • Gli sportelli non sono chiusi. • Gli sportelli vengono aperti frequentemente. • La temperatura ambiente è molto alta. • Spessore del ghiaccio superiore a 3 mm. 	<ul style="list-style-type: none"> • Accertarsi che gli sportelli siano chiusi e che la tenuta delle guarnizioni sia adeguata. • Evitare di lasciare inutilmente gli sportelli aperti per troppo tempo. • Accertarsi che la temperatura ambiente sia conforme alle specifiche riportate sulla targhetta (vedere Installazione). • Impostare il display/termostato su una temperatura più alta. • Sbrinare l'unità (vedere Sbrinamento).
Il cibo congelato si scongela.	<ul style="list-style-type: none"> • La temperatura ambiente è inferiore alla classe climatica del prodotto. Il compressore si avvia raramente • Lo sportello del congelatore non è chiuso. 	<ul style="list-style-type: none"> • Spostare l'unità in un ambiente più caldo o riscaldare l'ambiente. • Accertarsi che lo sportello sia chiuso e che la tenuta della guarnizione sia adeguata.
La spia WI-FI lampeggia rimanendo accesa per 3 secondi e spenta per 1 secondo.	<ul style="list-style-type: none"> • Router spento. • Connessione assente. 	<ul style="list-style-type: none"> • Accendere il router. • Resetare il prodotto (vedere WI-FI)

SE IL PROBLEMA NON È STATO RISOLTO, RIVOLGERSI AL CENTRO ASSISTENZA INDICANDO IL TIPO DI GUASTO E FORNENDO LE INFORMAZIONI RIPORTATE SULLA TARGHETTA COLLOCATA ALL'INTERNO DEL COMPARTO FRIGORIFERO:

- Modello.
- Numero di serie.

BEZPEČNOSTNÉ INFORMÁCIE.....	52
INŠTALÁCIA	52
PREVÁDZKA.....	52
SKLADOVANIE	52
MRAZENIE	52
ODMRAZOVANIE.....	52
ÚDRŽBA A ČISTENIE.....	52
ÚSPORA ENERGIE.....	52
PREDCHÁDZANIE HLUKU	52
ZMENA SMERU OTVÁRANIA DVERÍ.....	52
ROZMERY VÝROBKU A PRIESTOR NA VSTAVANIE ...	52
MONTÁŽ SPOTREBIČA DO KOLÓNY KUCHYNSKEJ LINKY.....	52
BEZPEČNOSTNÉ OPATRENIA PRE SPRÁVNU PREVÁDZKU	52
PRERUŠENIE POUŽÍVANIA SPOTREBIČA.....	52
RIEŠENIE PROBLÉMOV	52

Ďakujeme za zakúpenie tohto produktu.

Skôr, než začnete používať chladničku, dôkladne si prečítajte tento návod na obsluhu, ktorý vám pomôže čo najlepšie využiť svoj spotrebič. Všetku dokumentáciu odložte, aby bola k dispozícii na budúce použitie alebo pre ďalších vlastníkov. Tento produkt je určený výlučne na použitie v domácnosti alebo na podobné účely, ako napríklad:

- kuchynské priestory pre personál v obchodoch, úradoch a iných pracovných prostrediach,
- na farmách, pre hostí ubytovaných v hoteloch, motelloch a iných obytných zariadeniach,
- v zariadeniach ponúkajúcich nocľah s raňajkami (B&B),

- na poskytovanie stravovacích služieb a služieb podobného charakteru, ktoré nie sú určené na maloobchodný predaj.

Tento spotrebič sa smie používať výlučne na uskladňovanie potravín. Akékoľvek iné použitie sa považuje za nebezpečné a výrobca neponesie zodpovednosť za žiadne zanedbania. Zároveň odporúčame dobre sa oboznámiť so záručnými podmienkami.

BEZPEČNOSTNÉ INFORMÁCIE

Chladnička obsahuje plyné chladivo (R600a: izobután) a izolačný plyn (cyklopentán), ktoré predstavujú veľmi nízku záťaž pre životné prostredie, sú však horľavé.

Odporúčame vám dodržiavať nasledujúce predpisy, aby ste sa vyhli situáciám, ktoré sú pre vás nebezpečné:

- Pred začatím vykonávania akejkoľvek činnosti vyťahnite napájací kábel z elektrickej zásuvky.
- Chladiaci systém, ktorý sa nachádza za chladničkou a v nej, obsahuje chladivo. Preto dbajte, aby nedošlo k poškodeniu potrubí.
- Ak spozorujete netesnosť chladiaceho systému, nedotýkajte sa elektrickej zásuvky a nepoužívajte otvorené plamene. Otvorte okno a vyvetrajte miestnosť. Následne zatelefonujte do servisného strediska a požiadajte o vykonanie opravy.
- Námrazu alebo ľad neoškrabávajte nožom ani ostrým predmetom. Takéto predmety môžu poškodiť chladiaci okruh a spôsobiť únik chladiva, čo môže viesť k požiaru alebo poraneniu očí.
- Spotrebič neinštalujte vo vlhkých, prašných a olejom znečistených priestoroch, nevystavujte ho priamemu slnečnému svetlu a vode.
- Spotrebič neinštalujte do blízkosti ohrievačov ani horľavých materiálov.
- Nepoužívajte predlžovacie káble ani adaptéry.
- Napájací kábel neťahajte príliš veľkou silou ani ho neskrúcajte, zástrčky sa nedotýkajte mokrými rukami.
- Nepoškodte zástrčku ani napájací kábel. Mohlo by dôjsť k zásahu elektrickým prúdom alebo požiaru.
- Odporúčame dbať na čistotu zástrčky, prípadné usadeniny prachu na zástrčke môžu zapríčiniť vznik požiaru.
- Na urýchlenie procesu odmrazovania nepoužívajte mechanické zariadenia ani iné vybavenie.
- Na urýchlenie odmrazovania v žiadnom prípade nepoužívajte otvorený plameň ani elektrické vybavenie, ako napríklad ohrievače, parné čističe, sviečky, olejové lampy a pod.
- V blízkosti chladničky nepoužívajte ani neskladujte horľavé spreje, napríklad striekacie laky. Mohlo by dôjsť k výbuchu alebo požiaru.
- Vnútri priestorov, ktoré slúžia na skladovanie potravín, nepoužívajte elektrické spotrebiče, pokiaľ ich používanie neschválil výrobca.
- Nepoužívajte na uchovávanie či skladovanie horľavých a veľmi prchavých materiálov, ako sú napríklad éter, benzín, skvapalnený plyn (LPG), plyný propán, spreje v plechovkách pod tlakom, príľnavé látky, čistý alkohol atď. Tieto materiály môžu spôsobiť výbuch.
- V chladničke neskladujte lieky ani laboratórne materiály. Ak potrebujete uskladniť materiál, ktorý vyžaduje presnú reguláciu teploty skladovania, je možné, že sa znehodnotí, prípadne môže dôjsť k nekontrolovanej reakcii, ktorá môže spôsobiť riziká.
- Dávajte pozor, aby nedošlo k blokovaniu vetracích otvorov v kryte spotrebiča alebo v zabudovanej konštrukcii.
- Na spotrebič nekladte žiadne predmety ani nádoby naplnené vodou.
- Na tejto chladničke nevykonávajte opravy. Akékoľvek prípadné zásahy smie vykonávať iba kvalifikovaný personál.
- Deti staršie ako 8 rokov a osoby s obmedzenými fyzickými, zmyslovými alebo duševnými schopnosťami alebo s nedostatkom skúseností a vedomostí smú používať tento spotrebič, pokiaľ sú pod dohľadom alebo dostali pokyny týkajúce sa bezpečného používania spotrebiča a pokiaľ rozumejú potenciálnym nebezpečenstvám vyplývajúcim z jeho používania.

Deti sa so spotrebičom nesmú hrať. Deti nesmú bez dohľadu čistiť spotrebič ani vykonávať jeho bežnú údržbu. Otočením gombíka úplne proti smeru hodinových ručičiek začujete kliknutie, ktoré zodpovedá vypnutiu produktu.

Po inštalácii spotrebiča musí ostať elektrický kábel a elektrická zásuvka ľahko dostupné.

Zásuvka je kompatibilná so zástrčkou spotrebiča. Ak nie, požiadajte o výmenu zástrčky autorizovaného technika; nepoužívajte predlžovacie káble a/alebo rozdvojky alebo adaptéry.

Nedotýkajte sa vnútorných častí ani mrazených potravín vlhkými alebo mokrými rukami, pretože to môže spôsobiť studené popáleniny.

Likvidácia starého spotrebiča



Zabezpečením správnej likvidácie tohto výrobku pomôžete predchádzať potenciálnym negatívnym dopadom na životné prostredie a ľudské zdravie, ktoré by inak mohli vzniknúť v dôsledku nevhodnej manipulácie s týmto výrobkom na konci jeho životnosti.

Pri správnej likvidácii spotrebiča je možné získať cenné suroviny! Tento spotrebič je označený podľa európskej smernice 2012/19/EÚ o odpade z elektrických a elektronických zariadení (OEEZ). Symbol na výrobku znamená, že so spotrebičom sa nesmie zaobchádzať ako s bežným domovým odpadom; namiesto toho sa musí dodať na najbližšie zberné miesto na recykláciu elektrických a elektronických zariadení. Likvidácia sa musí vykonávať v súlade s platnými predpismi pre likvidáciu odpadu a ochranu životného prostredia.

Podrobnejšie informácie o spracovaní, zhodnocovaní a recyklácii tohto výrobku získate od príslušného verejného úradu (oddelenie ekológie a životného prostredia), služby na likvidáciu domového odpadu alebo v obchode, kde ste výrobok zakúpili.

Odrežte a zlikvidujte napájací kábel so zástrčkou.

Až do vhodnej likvidácie nepoškodzujte rúrky, pretože obsahujú chladiaci plyn.

Pri likvidácii obalového materiálu postupujte podľa miestnych predpisov. OEEZ obsahuje znečisťujúce látky (ktoré môžu mať negatívne dopady na životné prostredie) a základné komponenty (ktoré sa dajú opätovne použiť). OEEZ sa musí likvidovať použitím špecifických postupov s cieľom zaistiť správne odstránenie a likvidáciu všetkých znečisťujúcich látok, ako aj obnovenie a recykláciu všetkých materiálov.

Jednotlivci prispievajú výraznou mierou k minimalizácii vplyvov OEEZ na životné prostredie. Bezpodmienečne treba dodržiavať určité základné pravidlá:

- OEEZ sa nesmie spracovávať ako bežný komunálny odpad.
- OEEZ treba odovzdať na príslušných zberných miestach, ktoré sú riadené príslušnou samosprávnou obcou alebo registrovanými spoločnosťami. V mnohých krajinách je k dispozícii domáci zber veľkých zariadení spadajúcich do kategórie OEEZ.
- Pri nákupe nového spotrebiča je možné vrátiť starý spotrebič maloobchodnému predajcovi, ktorý musí zabezpečiť jeho bezplatný odvoz, pokiaľ ide o vybavenie rovnakého typu a disponujúce rovnakými funkciami ako dodané vybavenie.

Informácia o zhode

CE Diely spotrebiča určené na styk s potravinami spĺňajú požiadavky nariadenia ES č. 1935/2004. Spotrebič spĺňa požiadavky európskej smernice 2004/108/ES, 2006/95/ES v znení nasledujúcich úprav a doplnkov.

INŠTALÁCIA

VAROVANIA:

- Spotrebič neinštalujte na vlhkom alebo mokrom mieste, pretože by to mohlo ohroziť izoláciu a viesť k úniku.
- Okrem toho by sa tam na vonkajšej strane mohol nahromadiť kondenzát
- Neumiestňujte spotrebič na miesta vedľa zdrojov tepla alebo v ich blízkosti, ani tam, kde by boli vystavené priamemu slnečnému žiareniu.

Spotrebič pracuje správne v rozsahu uvedených teplôt prostredia:

- +10 +32°C pre klimatickú triedu SN
 - +16 +32°C pre klimatickú triedu N
 - +16 +38°C pre klimatickú triedu ST
 - +16 +43°C pre klimatickú triedu T
- (Pozri typový štítok výrobku)

- Na vrch spotrebiča nekladte nádoby s kvapalinami.
- Po umiestnení spotrebiča počkajte pred jeho uvedením do prevádzky aspoň 3 hodiny.

Elektrické zapojenie

Po doručení umiestnite spotrebič vertikálne a pred pripojením do elektrickej siete počkajte aspoň 2 – 3 hodiny. Pred vsunutím zástrčky do elektrickej zásuvky sa uistite, že:

- Zásuvka je uzemnená a spĺňa požiadavky predpisov.
- Zásuvka vydrží maximálne zaťaženie spotrebiča, ako je uvedené na typovom štítku chladničky.
- Napájacie napätie je v rozpätí uvedenom na typovom štítku chladničky.
- Kábel sa nesmie lámať ani stláčať.
- Kábel treba pravidelne kontrolovať a vymeniť ho smú výhradne autorizovaní technici.
- Výrobca odmieta akúkoľvek zodpovednosť vždy, keď sa tieto bezpečnostné opatrenia nedodržiavajú.

Uvedenie spotrebiča do prevádzky

Odstráňte všetky obaly prítomné vnútri spotrebiča a očistite ich vodou s prídavkom sódy bikarbóny alebo neutrálnym saponátom. Po inštalácii počkajte 2 – 3 hodiny, kým sa chladnička/mraznička stabilizuje pri normálnej pracovnej teplote, a potom vložte čerstvé alebo mrazené potraviny dovnútra.

Ak sa napájací kábel odpojí, pred opätovným spustením chladničky/mrazničky počkajte aspoň päť minút. V tomto okamihu je spotrebič pripravený na použitie.

PREVÁDZKA

Vložte jedlo do spotrebiča

Po určitej dobe prevádzky je chladnička dostatočne vychladená, a vy môžete vložiť jedlo do spotrebiča a začať ho používať.

Návod na obsluhu



Obr. 1

1. Po prvom alebo opätovnom zapojení spotrebiča k zdroju napájania bude chladnička pracovať pri nastaveniach teploty: 5 °C pre chladničku, 2 °C pre chladič. Ak chcete nastaviť teplotu alebo funkcie manuálne, podržte tlačidlo stlačené 3 sekundy na odomknutie, ak po 30 sekundách neurobíte žiadny úkon, ovládací panel sa znova uzamkne.
2. Úprava teploty chladiaceho priestoru: Používatelia môžu nastaviť teplotu z možností „2, 3, 4, 5, 6, 7, 8 a „Fast cooling“. Keď je ovládací panel odomknutý, stlačením vyberte priestor chladničky (rozsvieti sa indikátor v ľavom hornom rohu). Stláčaním vyberte požadovanú teplotu; Ak je zvolené „rýchle chladenie“ (indikátor kvapky vody na pravej strane displeja sa rozsvieti), chladnička bude fungovať pri teplote 2 °C nepretržite 24 hodín, rýchle chladenie sa zastaví po 24 hodinách, potom bude chladnička fungovať podľa predchádzajúceho nastavenia teploty.
3. Nastavenie teploty chladiaceho priestoru: Používatelia môžu nastaviť teplotu z možností „0, 1, 2, 3, 4, 5“. Keď je ovládací panel odomknutý, stlačením vyberte priestor chladiča (rozsvieti sa indikátor v ľavom dolnom rohu). Stláčaním vyberte požadovanú teplotu.
4. Zapnutie/vypnutie: Stlačením tlačidla na 3 sekundy zapnete/vypnete spotrebič.

SKLADOVANIE

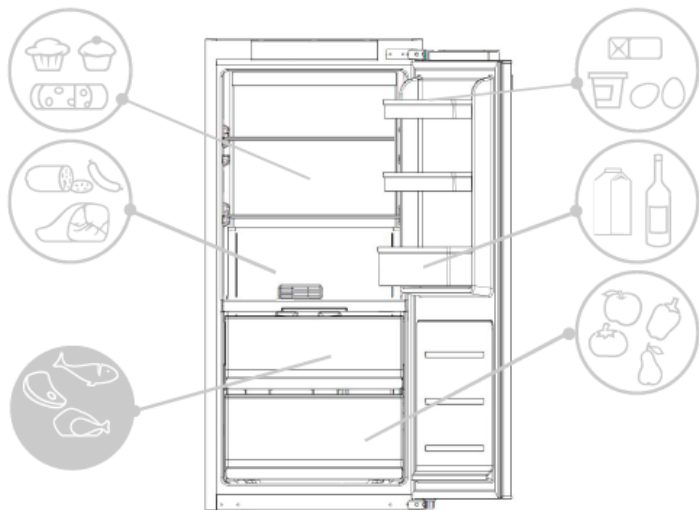
• Aby sa zachovala čo najlepšia chuť, výživa a čerstvosť potravín, odporúča sa ich skladovať v chladničke, ako je znázornené na obr. 4 nižšie, pričom sa uistíte, že sú zabalené v alobale alebo plastovej fólii alebo vo vhodných prikrýtych nádobách, aby sa zabránilo krížovej kontaminácii.

Chladiaca zóna

Ovocie/zelenina

• Aby sa zabránilo stratám ovocia a zeleniny, musia byť zabalené do plastových materiálov, ako sú napríklad fólie alebo vrecká, a potom vložené do zóny na ovocie/zeleninu. Týmto spôsobom sa zabráni ich rýchlemu pokazeniu.

ZÓNA CHLADNIČKY

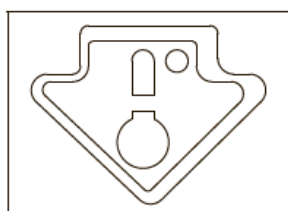


Obr. 4

Ukazovateľ teploty v najchladnejšej zóne

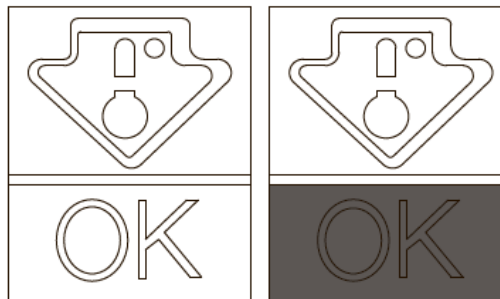
(nie všetky modely)

Niektoré modely sú vybavené indikátorom teploty v chladiacom priestore v najchladnejšej zóne, aby ste mohli regulovať priemernú teplotu. Tento symbol označuje najchladnejšiu zónu chladničky (obr. 5).



Obr. 5

Skontrolujte, či je na indikátore teploty jasne zobrazené slovo OK (obr. 6). Ak sa slovo nezobrazí, znamená to, že teplota je príliš vysoká: nastavte teplotu na nižšiu teplotu a počkajte približne 10 hodín. Znovu skontrolujte indikátor: podľa potreby pokračujte s novým nastavením.



Obr. 6

POZNÁMKA:

Ak do chladničky vložíte veľké množstvo potravín alebo ak sa jej dvere často otvárajú, je normálne, že sa indikátor „OK“ nezobrazí. Pred nastavením termostatu na vyššie nastavenie počkajte aspoň 10 hodín.

Mraziaca zóna

Pre priehradky použite nižšie uvedenú tabuľku ❄️❄️❄️

Proces mrazenia môže prebiehať len v priestoroch ❄️❄️❄️

2 – 3 MESIACE			
4 – 6 MESIACOV			
6 – 8 MESIACOV			
10 – 12 MESIACOV			

Praktické odporúčania

Umiestnite potraviny na police rovnomerne, aby vzduch mohol správne cirkulovať a ochladzovať ich.

• Zabráňte kontaktu medzi potravinami a najvzdialenejšími stenami chladničky.

• Nevkladajte horúce potraviny, pretože môžu spôsobiť zhoršenie stavu už vložených potravín a zvýšiť spotrebu energie.

• Pred vložením potravín ich vybaľte.

• Nevkladajte ich na tanierne alebo do nádob, pokiaľ ste ich predtým neumyli.

• Nezakrývajte otvory ventilátora studeného vzduchu jedlom.

• Nezakrývajte sklenenú policu zásuvky na zeleninu, aby ste umožnili správnu cirkuláciu vzduchu.

• Neskladujte fľaše v mraziacom priestore, pretože po zmrazení môžu prasknúť.

• V prípade dlhšieho výpadku elektrickej energie nechajte dvere zatvorené, aby potraviny zostali čo najdlhšie studené.

• Inštalácia spotrebiča na horúcom a vlhkom mieste, časté otváranie dverí a skladovanie veľkého množstva zeleniny môže spôsobiť tvorbu kondenzátu a ovplyvniť výkon samotnej jednotky.

• Aby sa zabránilo nadmernej spotrebe energie, odporúča sa neotvárať dvere často ani na dlhšiu dobu.

MRAZENIE (nie všetky modely)

- Potraviny musia byť čerstvé.
- Naraz zmrazujte malé množstvá potravín, aby sa rýchlo zmrazili. Nikdy neprekračujte maximálne množstvo uvedené na štítku s výkonom.
- Počas mrazenia neotvárajte dvere mrazničky.
- Jedlo musí byť vzduchotesne uzavreté.
- Oddel'te potraviny, ktoré majú byť zmrazené od už zmrazených.
- Označte vrecká alebo nádoby, aby ste mali prehľad o mrazených potravinách.
- Po rozmrazení potraviny nikdy znovu nezmrazujte a rýchlo ich nekonzumujte.

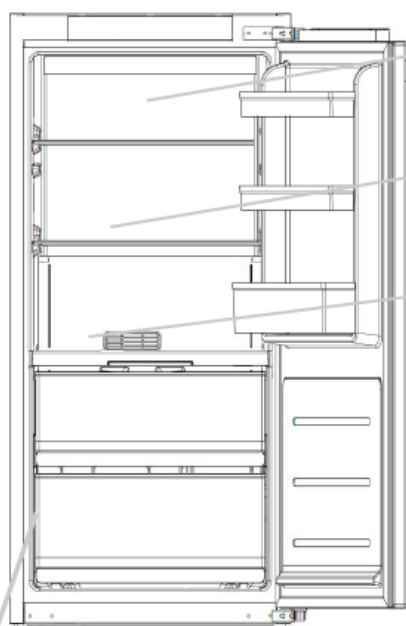
ODMRAZOVANIE

Odmrazovanie chladiaceho priestoru

Počas normálnej prevádzky sa chladnička automaticky odmrazuje. Nie je potrebné sušiť kvapky vody, ktoré sú na zadnej stene ani odstraňovať námrazu (v závislosti od fungovania). Voda sa odvádza do zadnej časti cez odtokový otvor a teplom kompresora sa odparuje.

- Drenážne potrubie udržiavajte čisté v chladiacom priestore, aby bolo bez vody.

(Obrázok 8)



Odmrazovanie chladiaceho priestoru v tomto spotrebiči sa vykonáva automaticky.

Malé množstvo námrazy alebo kvapiek vody na zadnej strane chladničky, keď chladnička pracuje, je normálne.

Uistite sa, že sa potraviny nedotýkajú zadnej strany alebo bočných strán chladničky.

POZN.: Tu nájdete štítok s údajmi o spotrebiči: obsahuje všetky údaje, ktoré treba poskytnúť zákazníkemu servisu v prípade poruchy.

Dôležité: ak je teplota okolia vysoká, spotrebič môže ostať v prevádzke nepretržite, čím sa na vnútornej stene chladničky vytvára veľa námrazy. V tomto prípade upravte termostat na vyššiu teplotu (6 – 8 °C).

Konfigurácia, ktorá najviac šetrí energiu, vyžaduje umiestnenie zásuviek, boxu na potraviny a poličiek vo výrobku, pozrite si obrázky vyššie.

Odmrazovanie mraziaceho priestoru

(statische výrobky bez technológie NO-FROST)

Keď vrstva námrazy v mraziacom priestore presiahne 3 mm, odporúčame vám, aby ste tento priestor odmrázili, pretože to zvyšuje spotrebu energie.

- 1) Vypnite spotrebič stlačením tlačidla napájania na 3 sekundy
- 2) Odpojte napájací kábel.
- 3) Vyberte zmrazené potraviny a dočasne ich odložte na chladné miesto.
- 4) Nechajte dvere mrazničky otvorené, aby sa rýchlosť rozmrazovania zvýšila.
- 5) Zachyťte vodu na dne výrobku.
- 6) Mrazničku osušte.
- 7) Znovu pripojte napájací kábel a nastavte požadované hodnoty.
- 8) Chvilu počkajte a znovu vložte zmrazené potraviny.

VAROVANIE:

Absolútne sa vyhnite používaniu otvoreného ohňa alebo elektrických spotrebičov, ako sú ohrievače, parné čističe, sviečky, olejové lampy a podobne, aby ste urýchlili fázu rozmrazovania. Námrazu alebo ľad neoškrabávajte nožom ani ostrým predmetom. Môžu poškodiť chladiaci okruh, ktorého únik môže spôsobiť požiar alebo poškodiť vaše oči.

Odmrazovanie mraziaceho priestoru

(Produkty NO-FROST)

Odmrazovanie je automatické.

ÚDRŽBA A ČISTENIE

Osvetlenie

LED osvetlenie

Výrobok je vybavený LED svetlami, ak ich treba vymeniť, zavolajte Technický servis pre zákazníkov.

V porovnaní s tradičnými žiarovkami LED vydržia dlhšie a sú šetrné k životnému prostrediu.

Čistenie

UPOZORNENIE:

- Pred každým úkonom vytiahnite zástrčku chladničky zo sieťovej zásuvky, aby ste zabránili úrazu elektrickým prúdom.
- Nelejte vodu priamo na vonkajšiu ani vnútornú stranu samotnej chladničky. Mohlo by to viesť k oxidácii a poškodeniu elektrickej izolácie.

DÔLEŽITÉ:

Ak chcete zabrániť prasknutiu vnútorných povrchov a plastových dielov, dodržiavajte nasledujúce odporúčania:

- Utrite všetky jedlé oleje, ktoré ostali na plastových dieloch.
- Vnútorné diely, tesnenia a vonkajšie diely sa môžu umývať handričkou navlhčenou teplou vodou s prídavkom sódy bikarbóny alebo neutrálnym saponátom. Nepoužívajte rozpúšťadlá, amoniak, bieliadlo ani abrazívne prípravky.
- Vyberte príslušenstvo, napríklad police, z chladničky a z dverí. Umyte v horúcej vode so saponátom. Opláchnite a dôkladne osušte.
- Na zadnej stene spotrebiča sa zvykne hromadiť prach, ktorý sa po vypnutí a odpojení spotrebiča od elektrickej zásuvky dá odstrániť vysávačom. To zabezpečuje vyššiu energetickú účinnosť.

ÚSPORA ENERGIE

V záujme dosiahnutia vyššej úspory energie odporúčame nasledujúce kroky:

- Spotrebič inštalujte dostatočne ďaleko od zdrojov tepla, mimo dosahu priameho slnečného svetla a v dobre vetranej miestnosti.
- S cieľom predísť zvýšeniu vnútornej teploty a následnému nepretržitému chodu kompresora nekladajte do chladničky horúce potraviny.
- V záujme zaistenia správnej cirkulácie vzduchu neprepíňajte spotrebič potravinami.
- Ak je v spotrebiči námraza, odmrázte ho (pozrite ODMRAZOVANIE), aby sa zlepšil chladiaci účinok.
- V prípade výpadku elektrickej energie odporúčame ponechať dvere chladničky zavreté.
- Dvere spotrebiča otvárajte, alebo nechávajte otvorené, čo možno najmenej
- Vyhnite sa nastaveniu termostatu na príliš vysoké teploty.
- Zadnú časť spotrebiča čistite od prachu (pozrite ČISTENIE).

PREDCHÁDZANIE HLUKU

Počas prevádzky chladnička vydáva niektoré absolútne normálne zvuky, ako napríklad:

- **BZUCANIE**, kompresor beží.
- **RACHOTENIE, DRNČANIE** a **SYČANIE**, chladiivo preteká cez rúrky.
- **TIKANIE** a **KLIKANIE**, vypnutie prevádzky kompresora.

Malé opatrenia na zníženie vibračných zvukov:

- **Nádoby sa vzájomne dotýkajú:** Zabráňte kontaktu medzi nádobami a sklenenými nádobami.
- **Zásuvky, police, koše vibrujú:** Skontrolujte správnu inštaláciu vnútorného príslušenstva.

POZNÁMKA:

Chladiaci plyn produkuje hluk aj vtedy, keď je kompresor vypnutý; nie je to chyba, je to normálne.

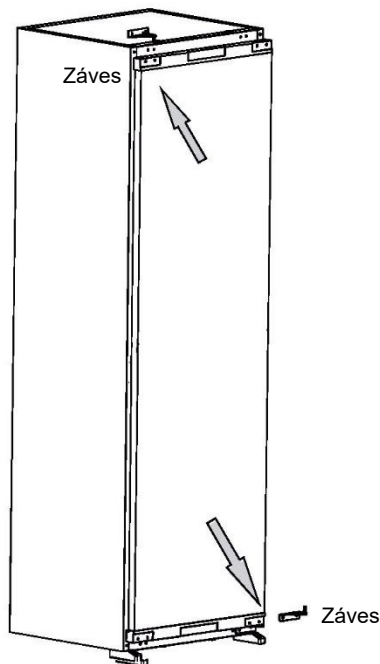
Ak začujete klikanie vo vnútri spotrebiča, je to normálne v dôsledku expanzie rôznych materiálov.

ZMENA SMERU OTVÁRANIA DVERÍ

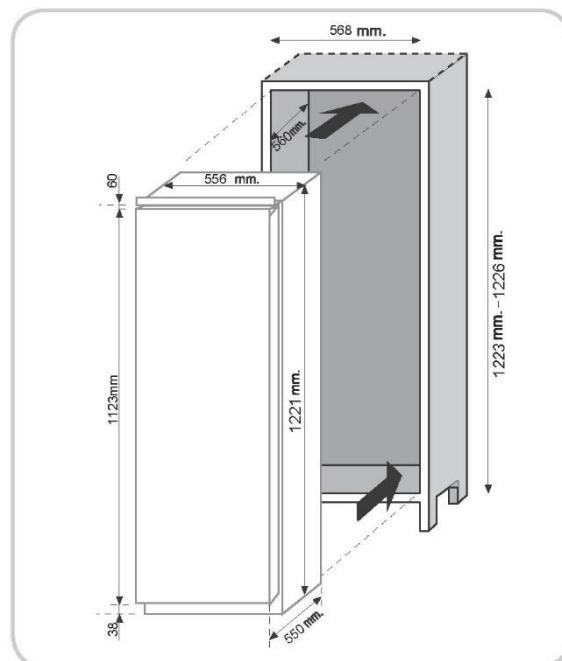
Dvere spotrebiča sa dajú obrátiť, aby umožňovali otvorenie vpravo alebo vľavo, podľa potreby.

POZNÁMKA:

- Zmenu smeru otvárania dverí musí vykonať kvalifikovaný technický personál.
- Na zmenu smeru otvárania dverí sa záruka nevzťahuje.











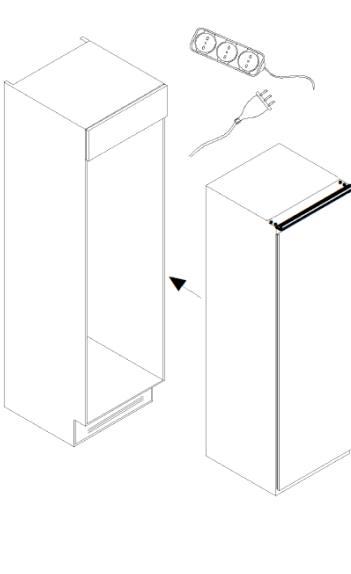
ROZMERY VÝROBKU A PRIESTOR NA VSTAVANIE



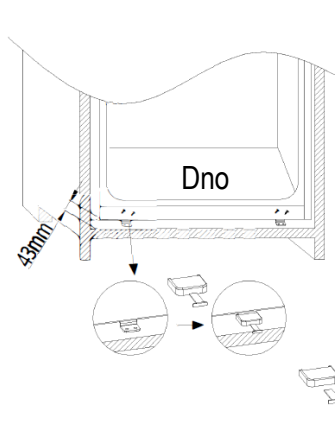

MONTÁŽ SPOTREBIČA DO KOLÓNY KUCHYNSKEJ LINKY

1. Zatláčte spotrebič do dreveného nábytku, spotrebič by mal byť lepšie prístupný k nábytku na ľavej strane.

Nástroje a diely	
	Rozpera pre záves A
	Rozpera pre záves B
	Kryt závesu
	Skrutka s križovou hlavou 3,9x12, T20 3,9x16, T20
	Kľúč
	Ľavý kryt ovládacieho panela - rozpera
	Pravý kryt ovládacieho panela - rozpera
	Dekoračný prúžok



2. Nastavte polohu spotrebiča, naskrutkujte hornú a spodnú časť výrobku k nábytku

Vrch

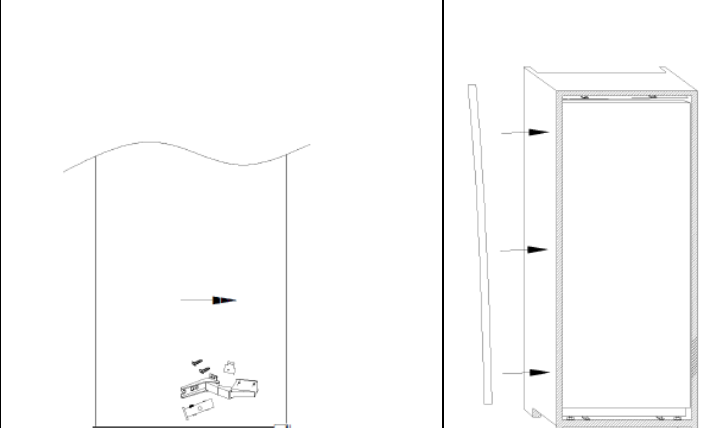
Dno

43mm

Kryt horného závesu

Pozn.: Po upevnení krytu spodnej časti odstráňte chvost.


3. Záves upevnite na nábytok skrutkou, dekoračný prúžok pripevnite na ľavú stranu výrobku.



Pozn.: Nainštalujte rozperu na záves

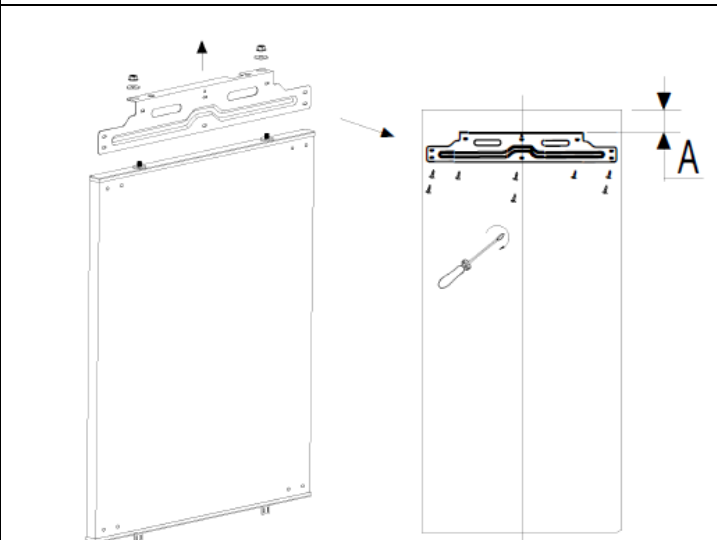
4. Zmerajte rozmer A

Pred meraním odstráňte kryt obloženia



spojovacia kovová doska

5. Odstráňte spojovaciu kovovú dosku a namontujte spojovaciu kovovú dosku na drevené dvere

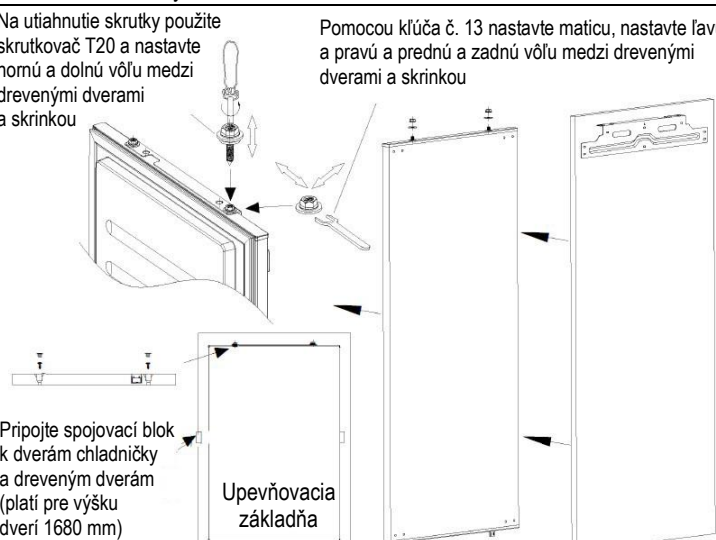


A

6. Pri pripájaní drevených dverí na dvere chladničky postupujte podľa nižšie uvedených krokov.

Na utiahnutie skrutky použite skrutkovač T20 a nastavte hornú a dolnú vôľu medzi drevenými dverami a skrinkou

Pomocou kľúča č. 13 nastavte maticu, nastavte ľavú a pravú a prednú a zadnú vôľu medzi drevenými dverami a skrinkou



Pripojte spojovací blok k dverám chladničky a dreveným dverám (platí pre výšku dverí 1680 mm)

Upevňovacia základňa

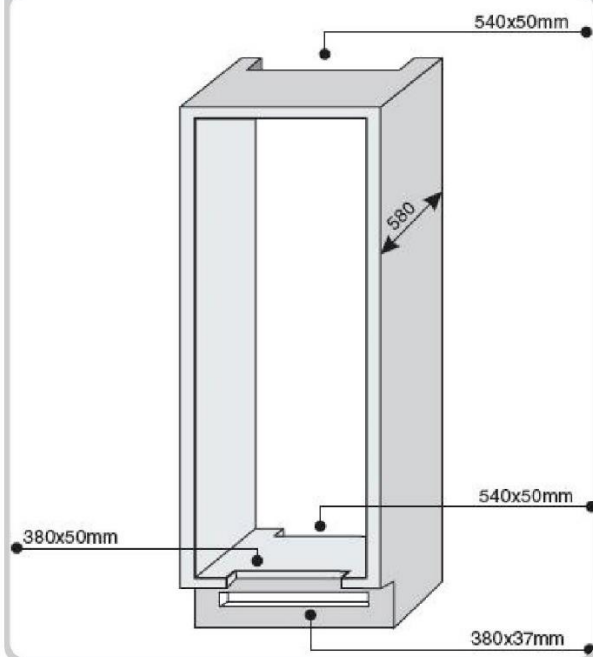
BEZPEČNOSTNÉ OPATRENIA PRE SPRÁVNU PREVÁDZKU

Po vstavaní výrobku umiestnite zadnú časť kolóny tak, aby bola v kontakte so stenou a aby ste zabránili prístupu do priestoru kompresora.

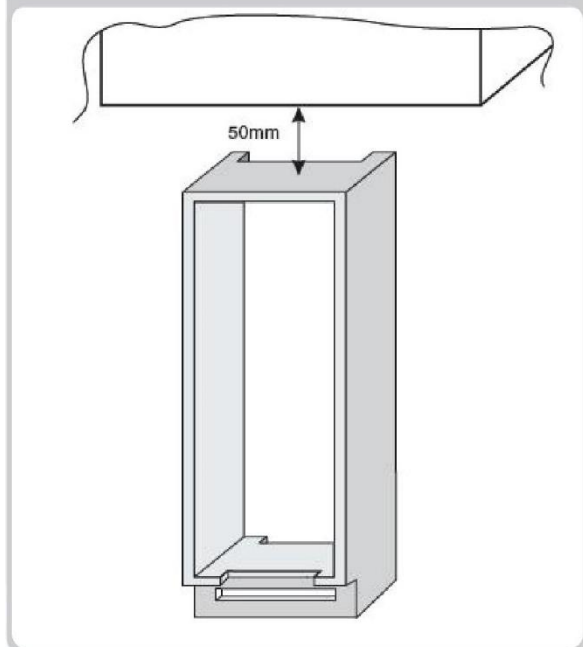
Aby výrobok fungoval správne, je nevyhnutné umožniť dostatočnú cirkuláciu vzduchu, aby sa chladil kondenzátor umiestnený v zadnej časti spotrebiča.

Preto musí byť kolóna vybavená zadným komínom, ktorého horný otvor nesmie byť zablokovaný, a predným otvorom, ktorý bude zakrytý vetracou mriežkou.

Veľkosť výrezov jednotky.



Priestor, ktorý musí ostať medzi jednotkou a stropom.



PRERUŠENIE POUŽÍVANIA SPOTREBIČA

Ak sa spotrebič nebude používať dlhšiu dobu:

- 1) VYPNITE spotrebič (pozrite Prevádzka).
- 2) Vytiahnite zástrčku alebo vyberte poistku.
- 3) Vyčistite spotrebič
- 4) Dvere spotrebiča nechajte otvorené.

RIEŠENIE PROBLÉMOV

PROBLÉM	PRÍČINA	NÁPRAVA
Vnútorné osvetlenie sa nerozsvieti.	<ul style="list-style-type: none"> • Výpadok elektrického napájania. • Spínač dverí je zablokovaný. 	<ul style="list-style-type: none"> • Napájací kábel nie je správne zapojený. • Skontrolujte, či je spotrebič vypnutý (pozrite Úprava teploty). • Uistite sa, že v domácnosti nie je prerušené elektrické napájanie. • Skontrolujte, či je aktívny.
Chladnička a mraznička nie sú dostatočne chladené.	<ul style="list-style-type: none"> • Dvere nie sú zatvorené. • Dvere sa často otvárajú • Chybné nastavenie teploty. • Chladnička a mraznička boli nadmerne naplnené. • Teplota okolia je príliš nízka. • Výpadok elektrického napájania. 	<ul style="list-style-type: none"> • Skontrolujte, či sú dvere zatvorené a ich tesnenia. • Zabráňte zbytočnému dlhodobému otváraní dverí. • Skontrolujte nastavenie teploty a, ak je to možné, ešte viac spotrebič ochladte (pozrite Úprava teploty) • Počkajte na stabilizáciu teploty chladničky alebo mrazničky. • Skontrolujte, či je teplota okolia v súlade s údajmi na typovom štítku (pozrite Inštalácia). • Napájací kábel nie je správne zapojený. • Skontrolujte, či je spotrebič vypnutý (pozrite Úprava teploty) • Uistite sa, že v domácnosti je prúd.
Jedlo v chladničke zamrzne.	<ul style="list-style-type: none"> • Chybné nastavenie teploty. • Potraviny sú v kontakte so zadnou stenou. • Mrazenie príliš veľkého množstva čerstvých potravín spôsobuje zníženie teploty chladničky 	<ul style="list-style-type: none"> • Skontrolujte nastavenie teploty (pozrite Úprava teploty) a, ak je to možné, znížte nastavenie teploty. • Oddelte potraviny od zadnej steny chladničky. • Neprekračujte maximálne množstvo, ktoré sa má zmraziť (pozrite Mrazenie).
Dno chladničky je mokré alebo sú tam prítomné kvapôčky.	<ul style="list-style-type: none"> • Môže byť upchatá vypúšťacia trubička. 	<ul style="list-style-type: none"> • Vyčistite vypúšťaciu trubicu tyčinkou alebo podobným predmetom, aby ste umožnili vypúšťanie vody.
Prítomnosť kvapiek alebo vody na zadnej stene chladničky.	<ul style="list-style-type: none"> • Bežná prevádzka chladničky. 	<ul style="list-style-type: none"> • Nie je to chyba (pozrite Odmrazovanie).
Prítomnosť vody v zásuvke na zeleninu.	<ul style="list-style-type: none"> • Nedostatočná cirkulácia vzduchu. • Príliš vlhká zelenina a ovocie. 	<ul style="list-style-type: none"> • Skontrolujte, či na sklenenej polici nad zásuvkou na zeleninu nie sú uložené potraviny, ktoré bránia prúdeniu vzduchu. • Ovocie a zeleninu zabalte do plastov, ako sú napríklad fólie, vrecká alebo nádoby.
Motor je nepretržite zapnutý.	<ul style="list-style-type: none"> • Dvere nie sú zatvorené. • Dvere sa často otvárajú. • Teplota okolia je veľmi vysoká. • Hrúbka námrazy väčšia ako 3 mm. 	<ul style="list-style-type: none"> • Uistite sa, že dvere sú zatvorené a tesnenia správne doliehajú. • Na určité obdobie sa vyhnite zbytočným otváraniam dverí. • Skontrolujte, či je teplota okolia v súlade so špeci- fikáciami na typovom štítku (pozrite Inštalácia). • Nastavte teplotu na displeji/termostate na vyššiu hodnotu. • Rozmrazte jednotku (pozrite Rozmrazovanie).
Mrazené jedlo sa rozmrazuje.	<ul style="list-style-type: none"> • Rozsah teplôt okolia pod klimatickou triedou výrobu. Kompresor sa spúšťa zriedkavo • Dvere mrazničky nie sú zatvorené. 	<ul style="list-style-type: none"> • Premiestnite spotrebič do teplejšej miestnosti alebo miestnosť vyhrejte. • Skontrolujte, či sú dvere zatvorené a či je tesnenie správne utesené.
Kontrolka WI-FI bliká 3 sekundy zapnutá - 1 sekunda vypnutá.	<ul style="list-style-type: none"> • Vypnutý smerovač. • Chýbajúce spojenie. 	<ul style="list-style-type: none"> • Zapnite smerovač. • Zresetujte produkt (pozrite WI-FI)

AK SA PROBLÉM NEVYRIEŠI, POŽIADAJTE O POMOC SERVISNÉ STREDISKO, UVEĎTE TYP PORUCHY A INFORMÁCIE NA ŠTÍTKU, KTORÝ JE VNÚTRI CHLADIACEHO PRIESTORU SPOTREBIČA:

- Model zariadenia.
- Číslo série.