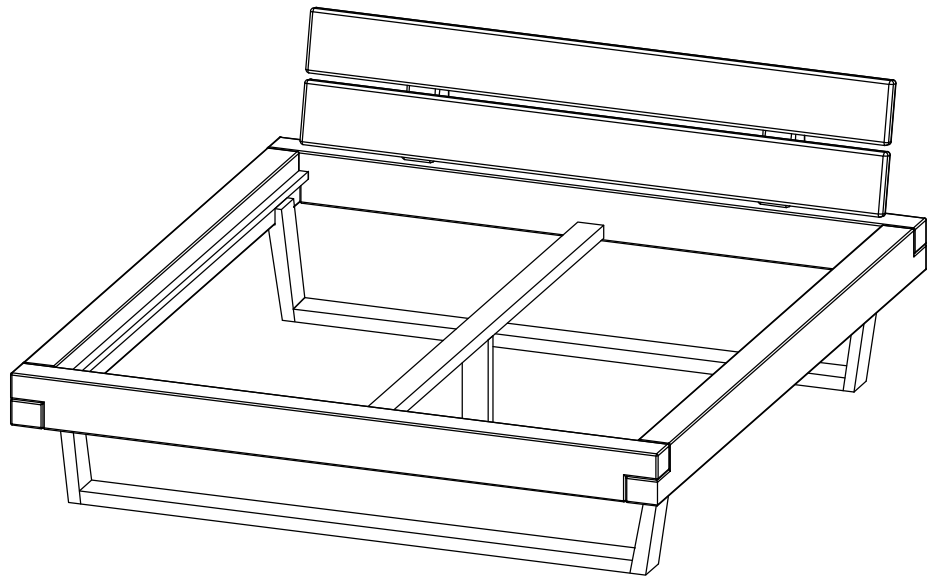


BE-0280



D

Montageanleitung
BE-0280

GB

Assembly instructions
BE-0280

FR

Notice de montage
BE-0280

IT

Istruzioni di montaggio
BE-0280

NL

Handleiding voor de montage
BE-0280

PL

instrukcja montazu
BE-0280

CZ

Montazni navod
BE-0280

SK

Navod na montaz
BE-0280

HU

Szerelesi utmutato
BE-0280

RO

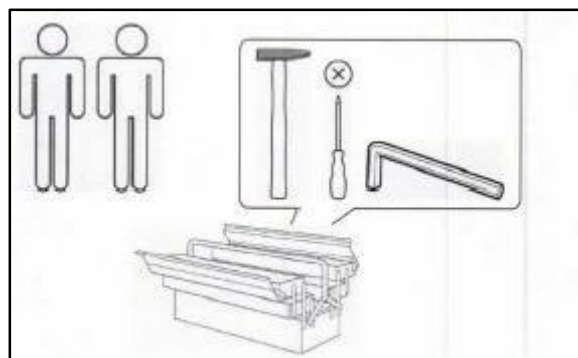
Instructiuni de montaj
BE-0280

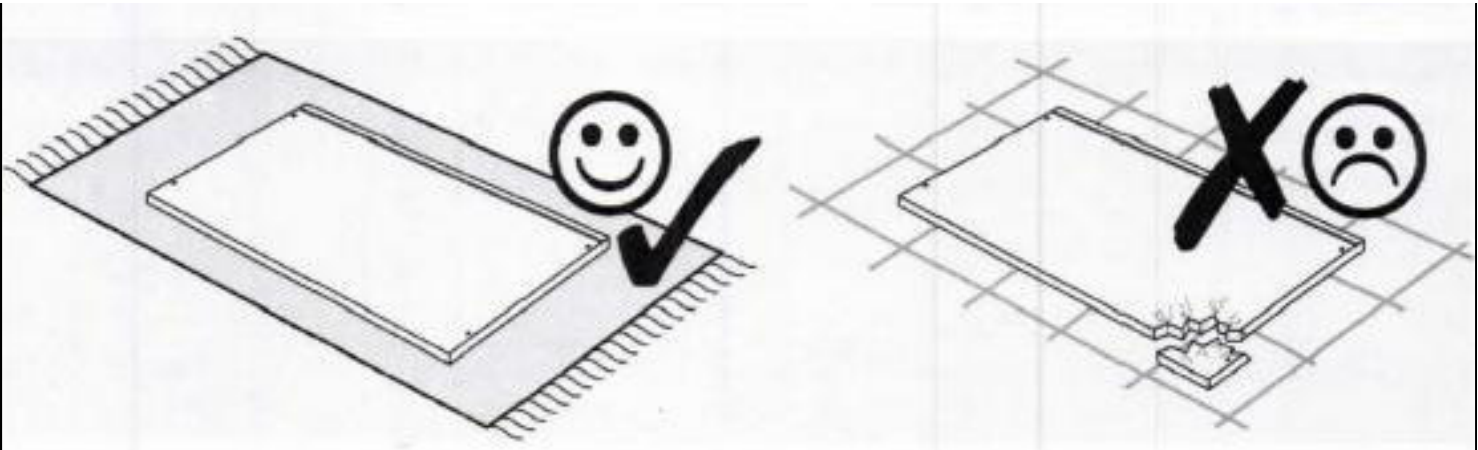
TR

Montaj talimati
BE-0280

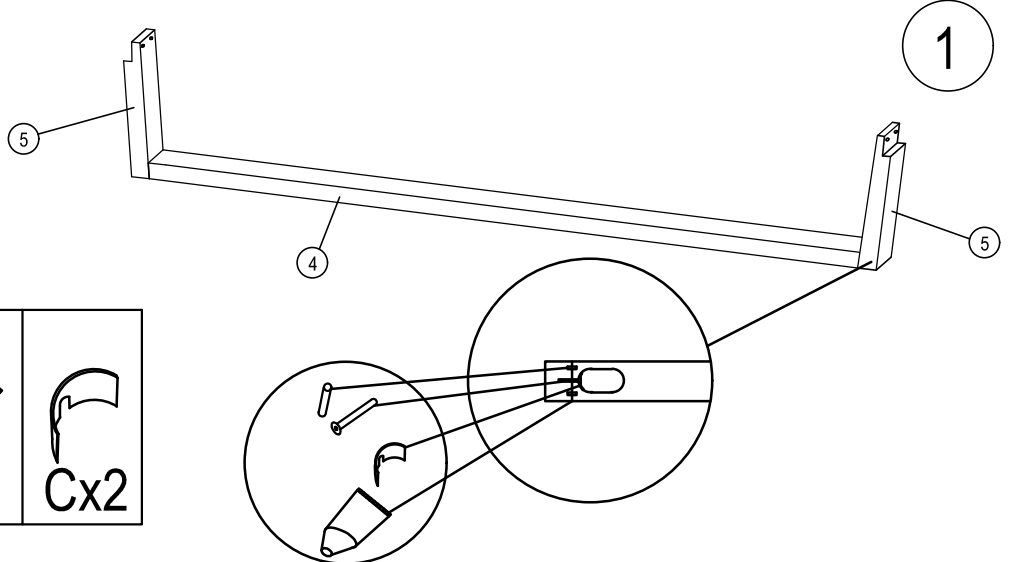
RU

Инструкция по монтажу
BE-0280



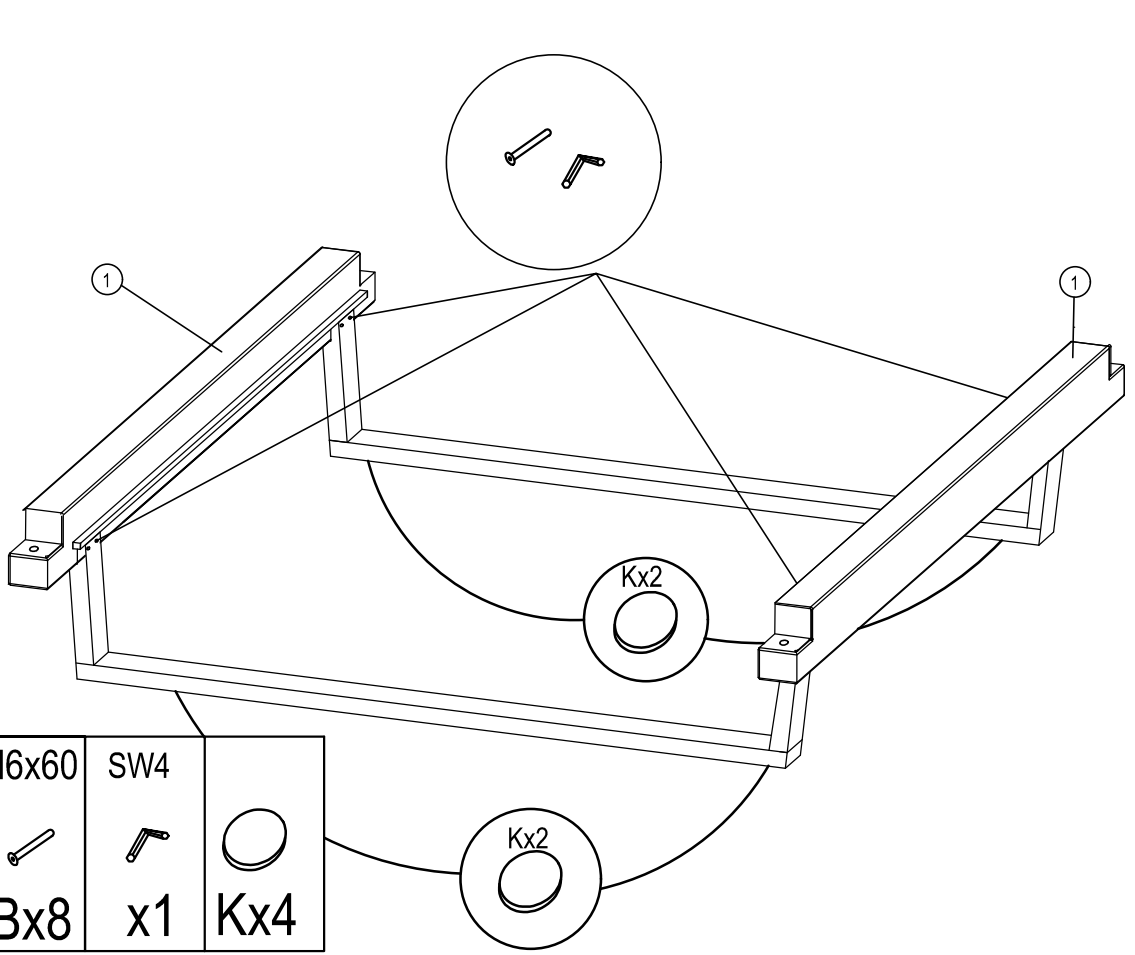


2x



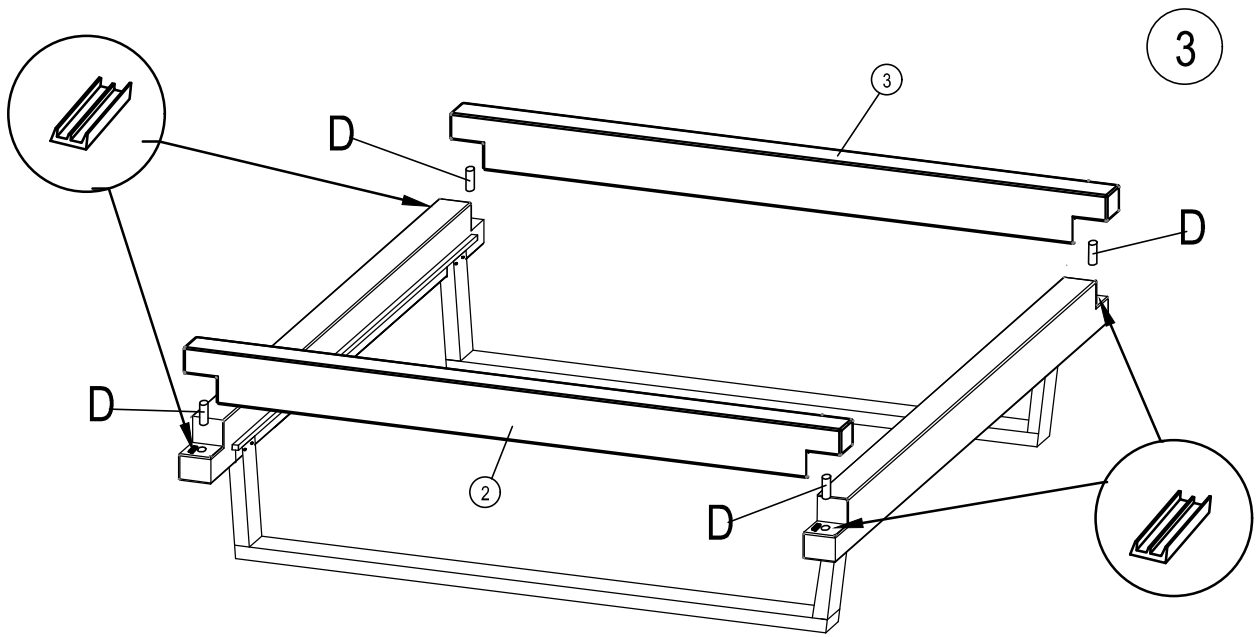
| | | | |
|--------|-------|----|-----|
| Ø10x50 | M6x60 | | |
| Ax4 | Bx2 | x1 | Cx2 |



1

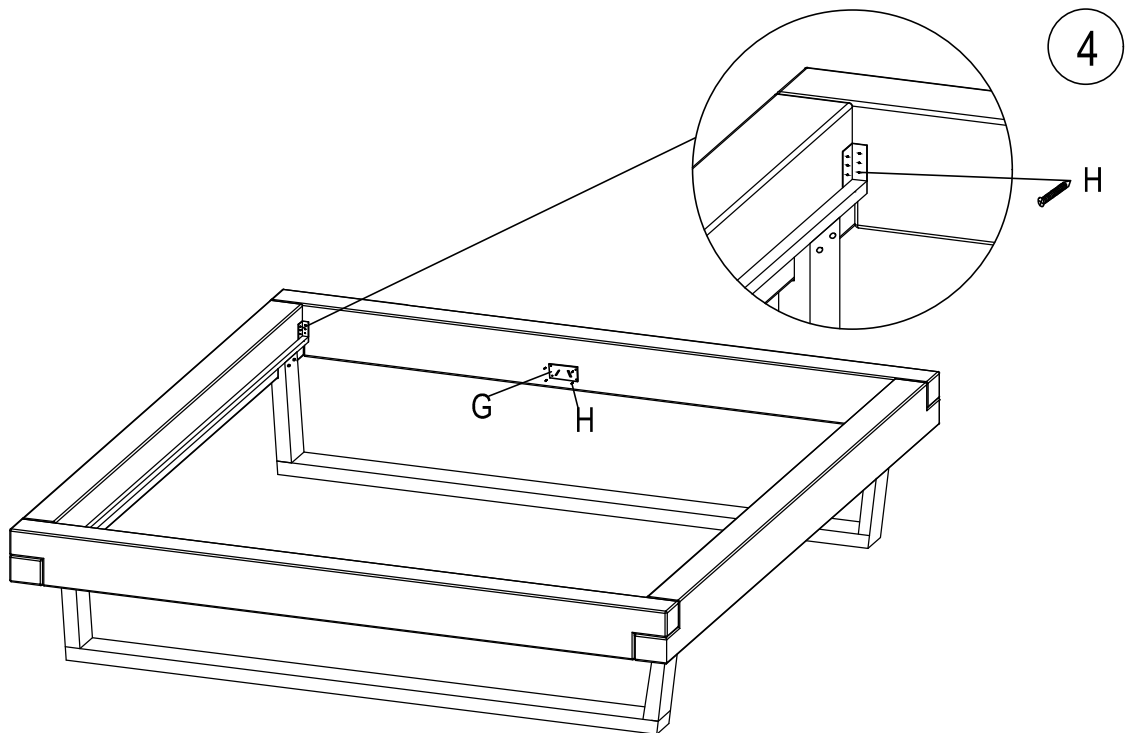





| | | |
|-------|-----|-----|
| M6x60 | SW4 | |
| Bx8 | x1 | Kx4 |

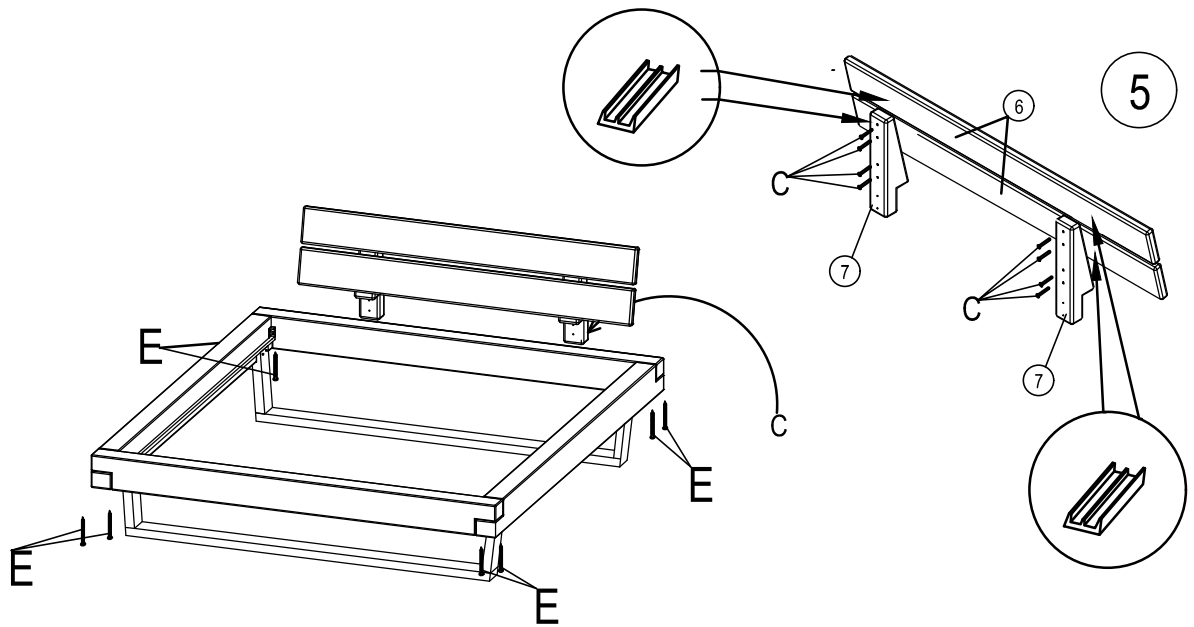
2




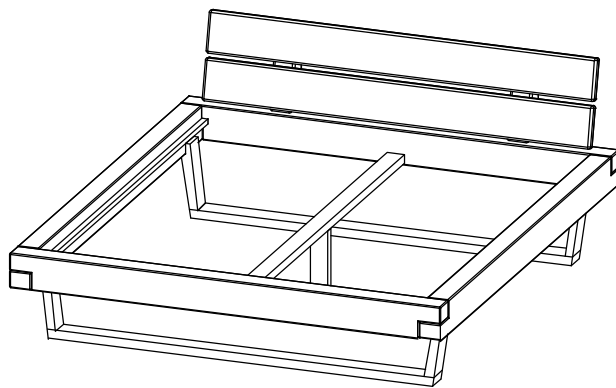
| | |
|---|---|
| $\varnothing 14 \times 100$  Dx4 |  x4 |
|---|---|




| | | |
|--|--|--|
| 35x35x90  FX4 |  GX2 | $\varnothing 3,5 \times 30$  HX32 |
|--|--|--|



| | | |
|-------|---|--------|
| M6x60 |  | ø6x120 |
| Bx12 | x4 | Ex8 |



| | | |
|---|---------|-------|
|  | Ø3,5x30 | ø6x70 |
| Ix2 | Hx6 | Jx2 |

6